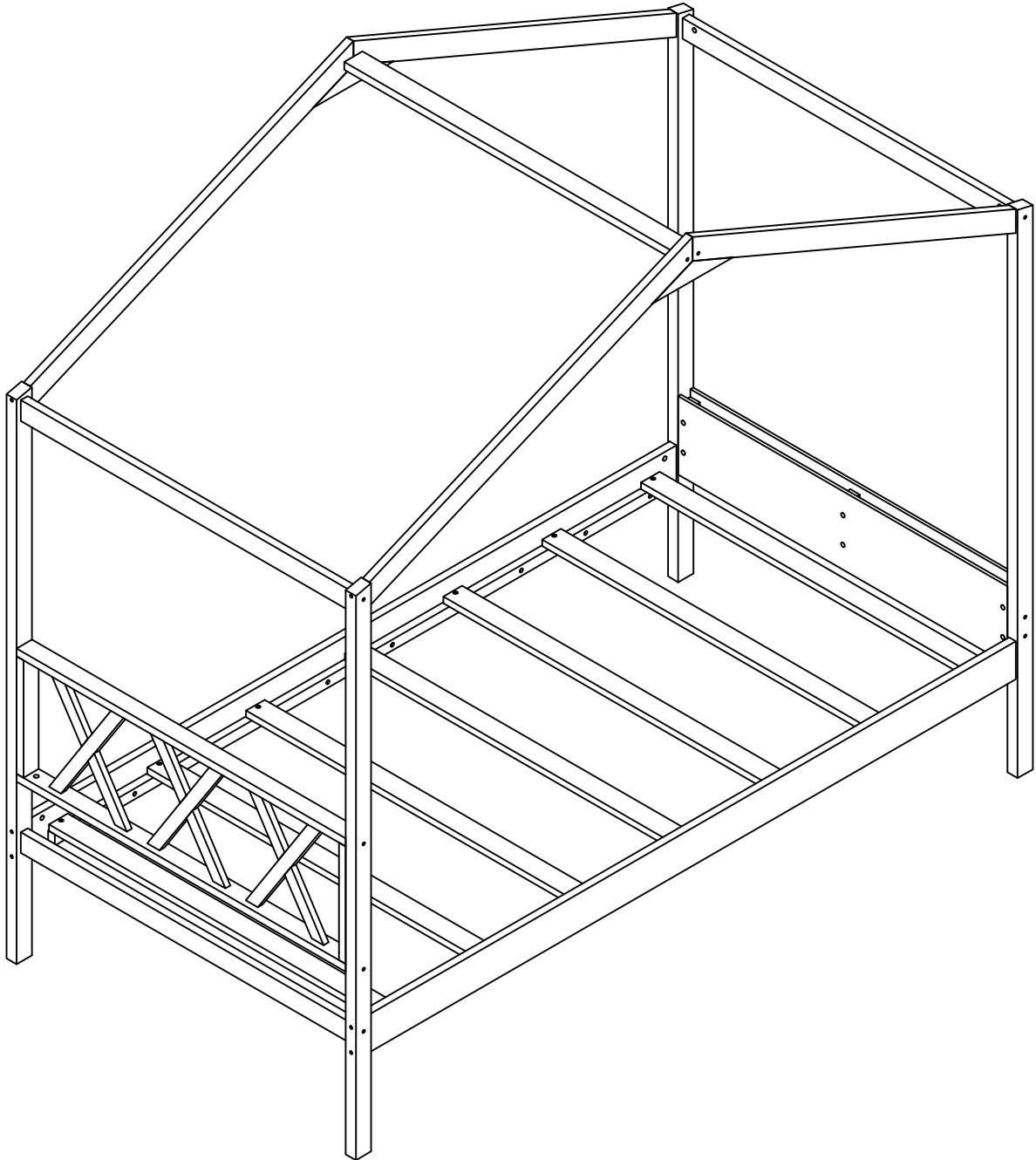


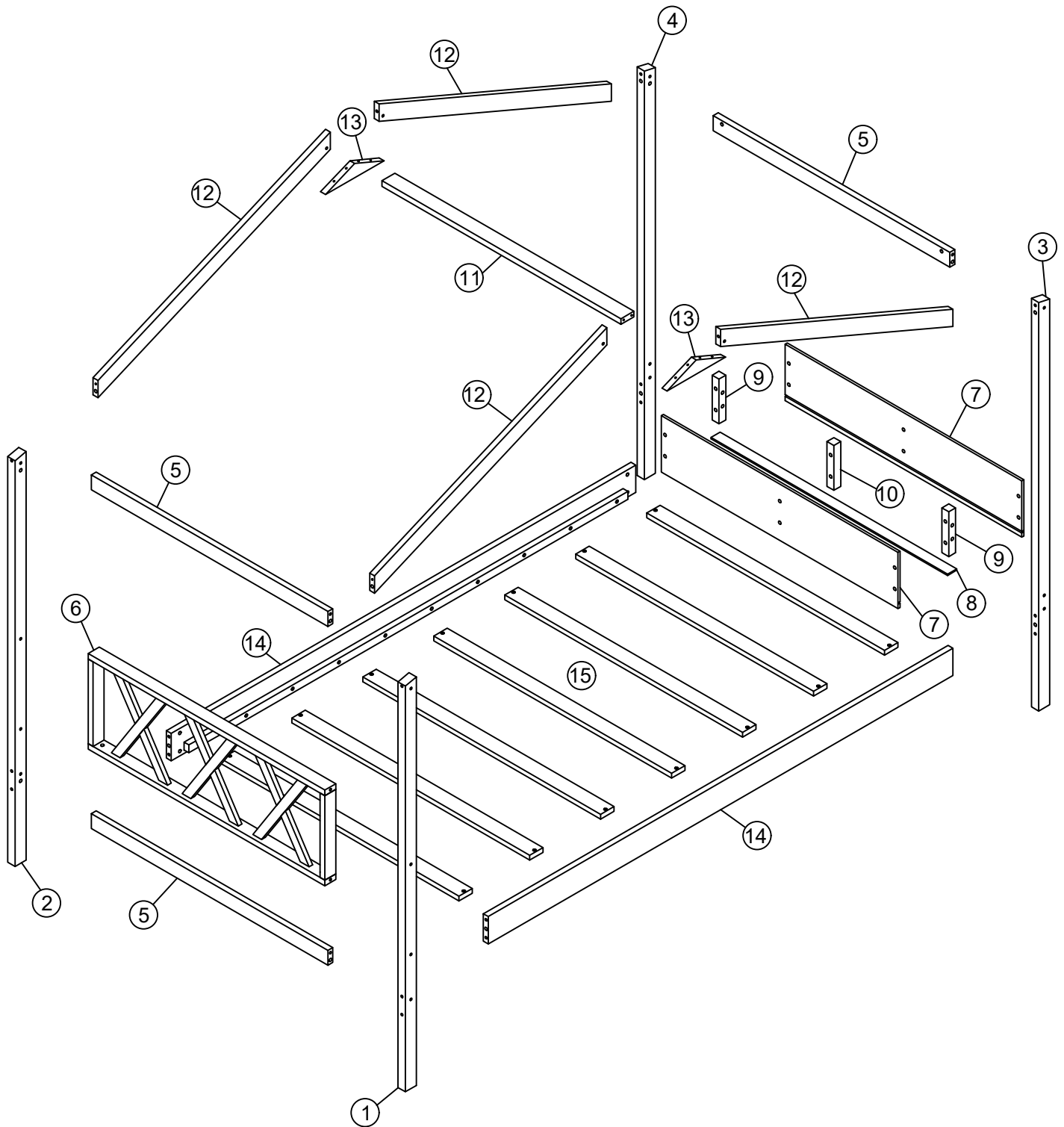
# ASSEMBLY INSTRUCTIONS

## TWIN SIZE HOUSE BED



WF294187

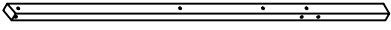
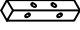
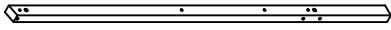
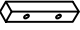
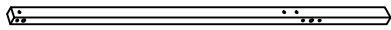
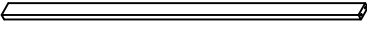
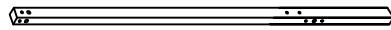
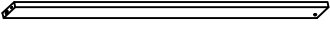
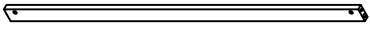

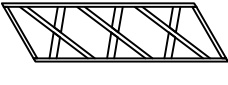
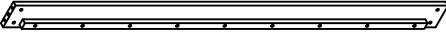

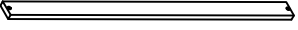
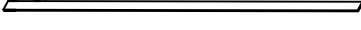
# ASSEMBLY INSTRUCTIONS













# ASSEMBLY INSTRUCTIONS

## PARTS LIST

WF294187 ( Hardware in this SKU)

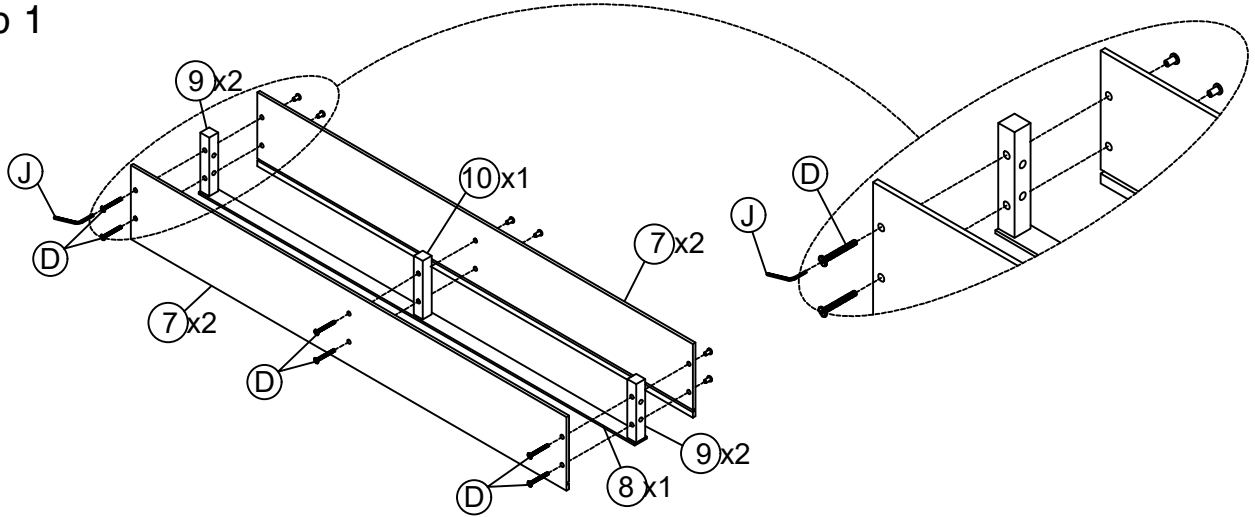
<b>1</b>		1pc	<b>9</b>		2pcs
<b>2</b>		1pc	<b>10</b>		1pc
<b>3</b>		1pc	<b>11</b>		1pc
<b>4</b>		1pc	<b>12</b>		4pcs
<b>5</b>		3pcs	<b>13</b>		2pcs
<b>6</b>		1pc	<b>14</b>		2pcs
<b>7</b>		2pcs	<b>15</b>		7pcs
<b>8</b>		1pc			



## HARDWARE LIST (WF294187)

<b>A</b>	1/4x75		10PCS	<b>F</b>	6.5x60		4PCS
<b>B</b>	1/4x90		8PCS	<b>H</b>	Ø10x40		14PCS
<b>C</b>	1/4x55		4PCS	<b>I</b>	Ø8x30		2PCS
<b>D</b>	1/4x40		6PCS	<b>M</b>	Ø4x30		22PCS
<b>E</b>	6.5x90		4PCS	<b>J</b>	4x58		1PC

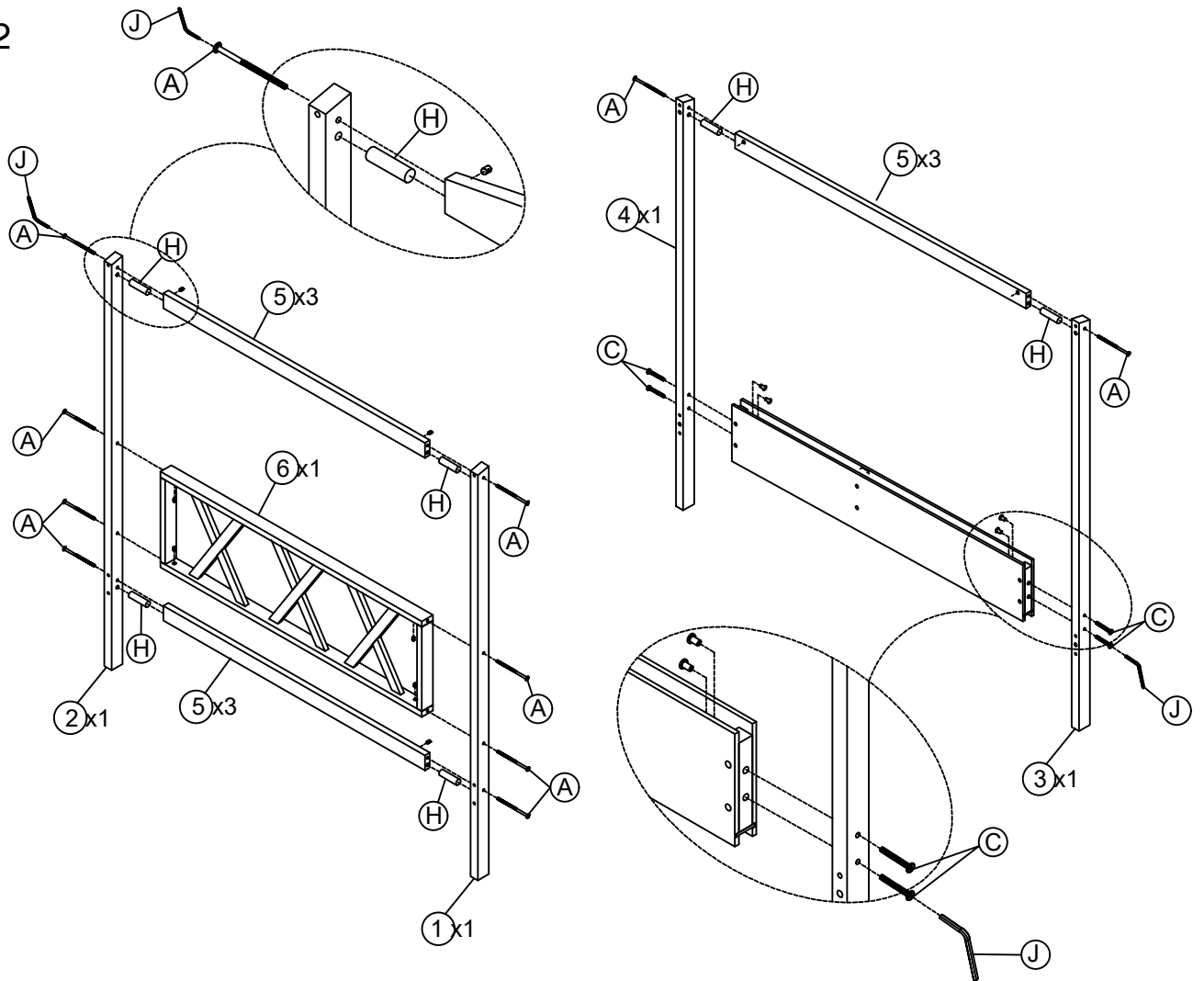
# ASSEMBLY INSTRUCTIONS





## Step 1



<b>D</b>	1/4x40		6PCS	<b>J</b>	4x58		1PC
----------	--------	---	------	----------	------	---	-----

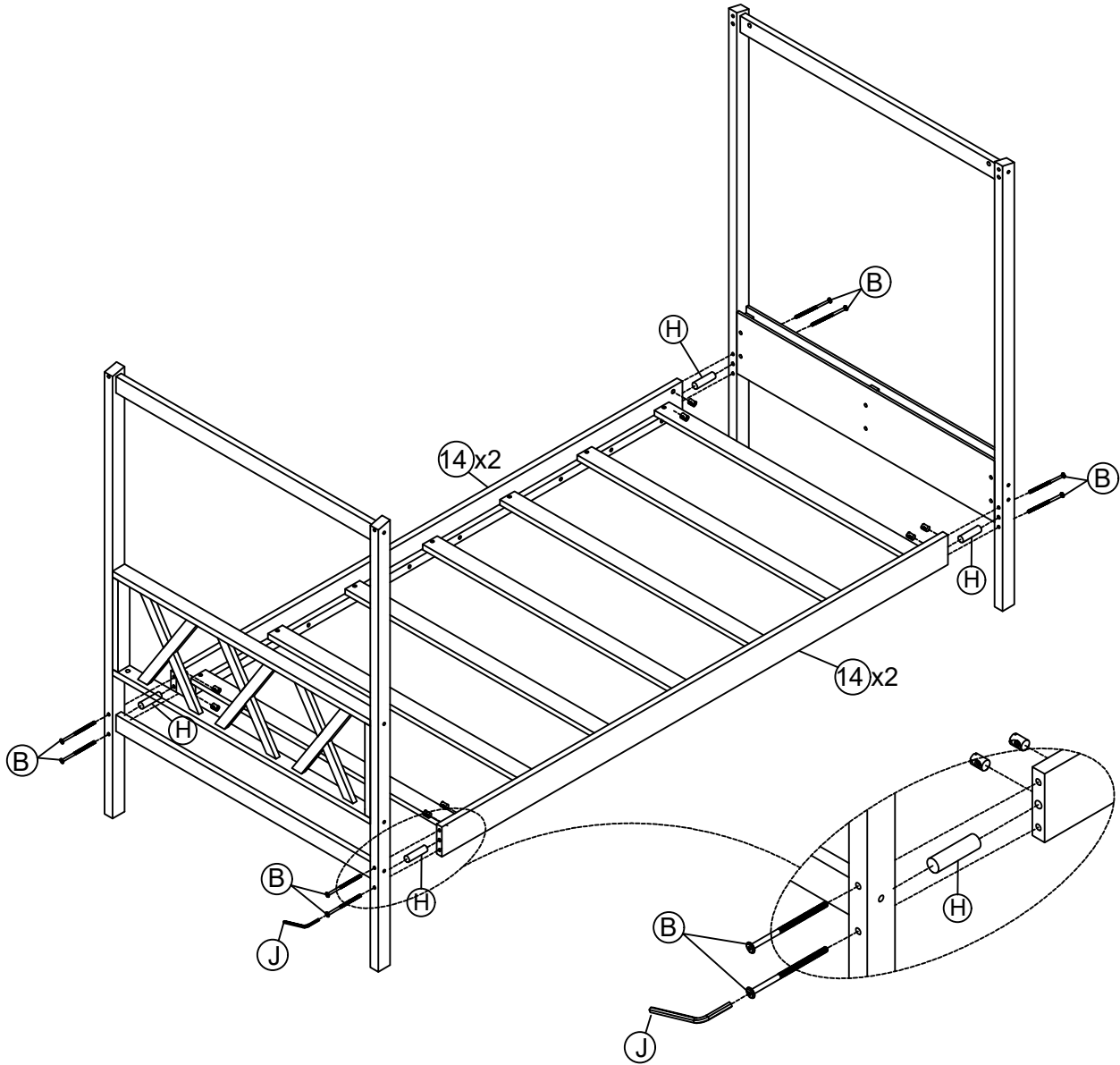
## Step 2






<b>A</b>	1/4x75		10PCS	<b>C</b>	1/4x55		4PCS
<b>H</b>	Ø10x40		6PCS	<b>J</b>	4x58		1PC

# ASSEMBLY INSTRUCTIONS

## Step 3

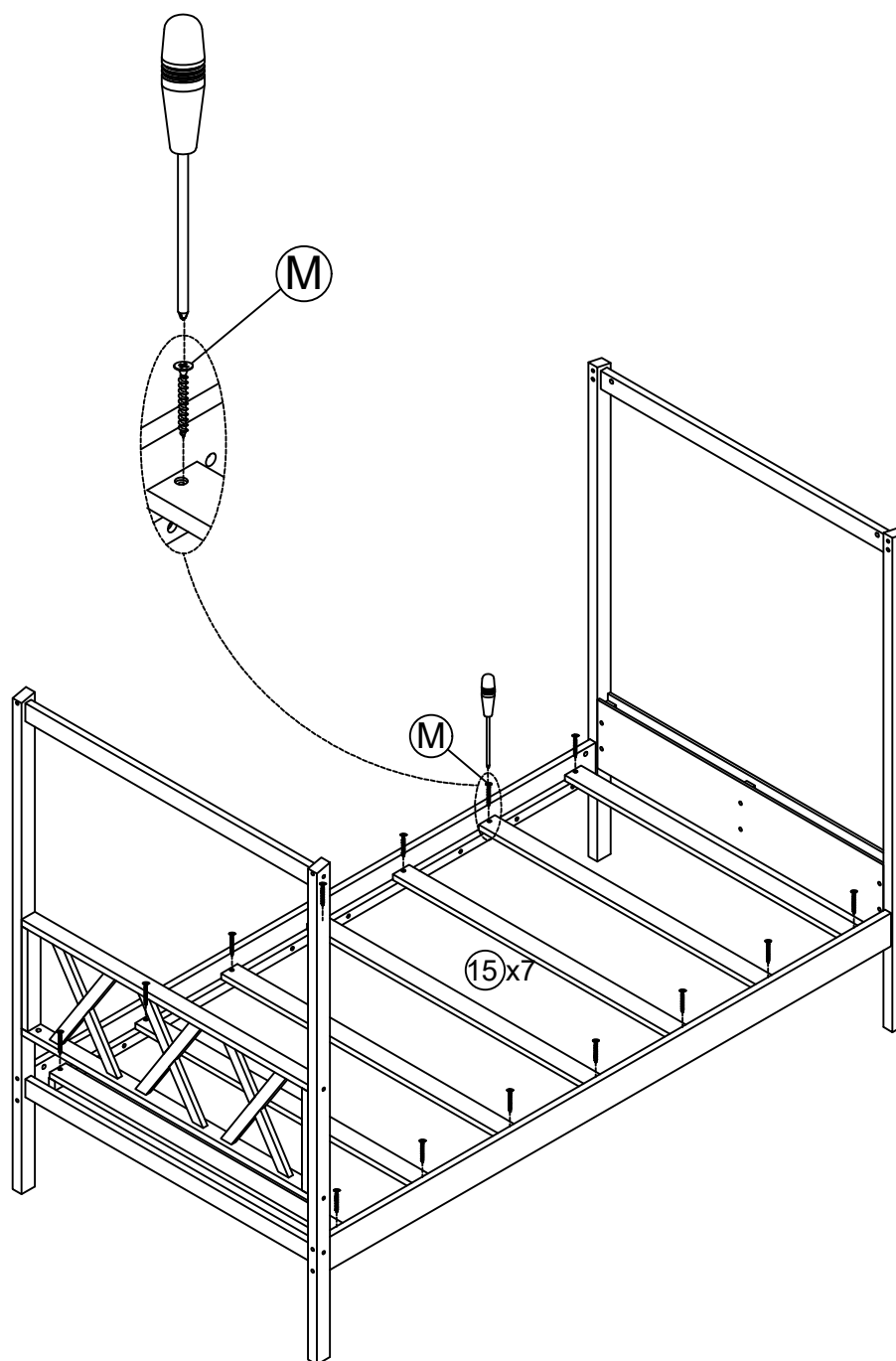


<b>B</b>	1/4x90 	8PCS			
<b>H</b>	Ø10x40 	4PCS	<b>J</b>	4x58 	1PC

# ASSEMBLY INSTRUCTIONS

## Step 4

First attach 2pcs part 15 to the front and end of the frame between headboard.  
Then attach the remaining part 15 equidistantly between headboard



**M**

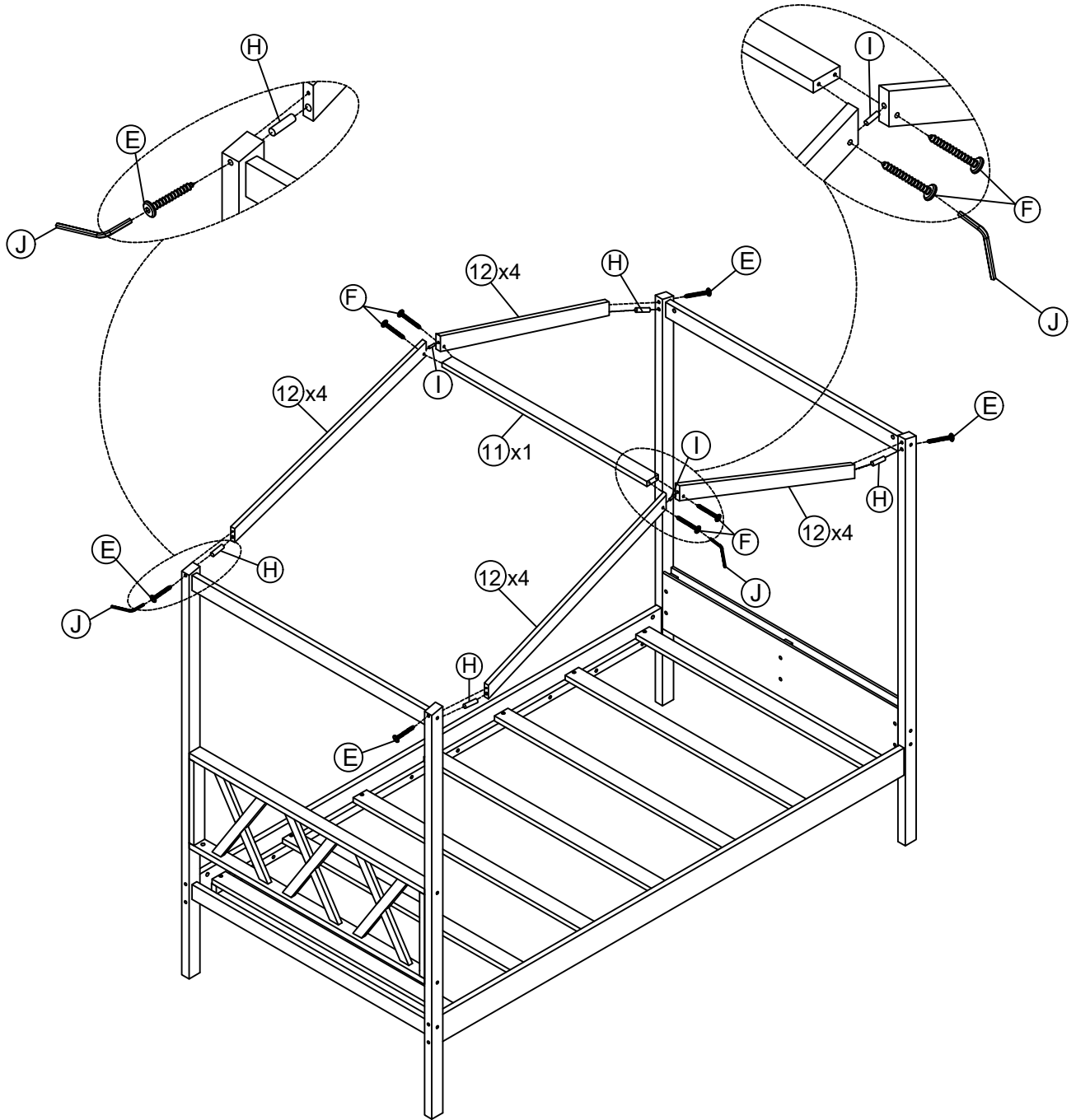
Ø4x30








14PCS

# ASSEMBLY INSTRUCTIONS

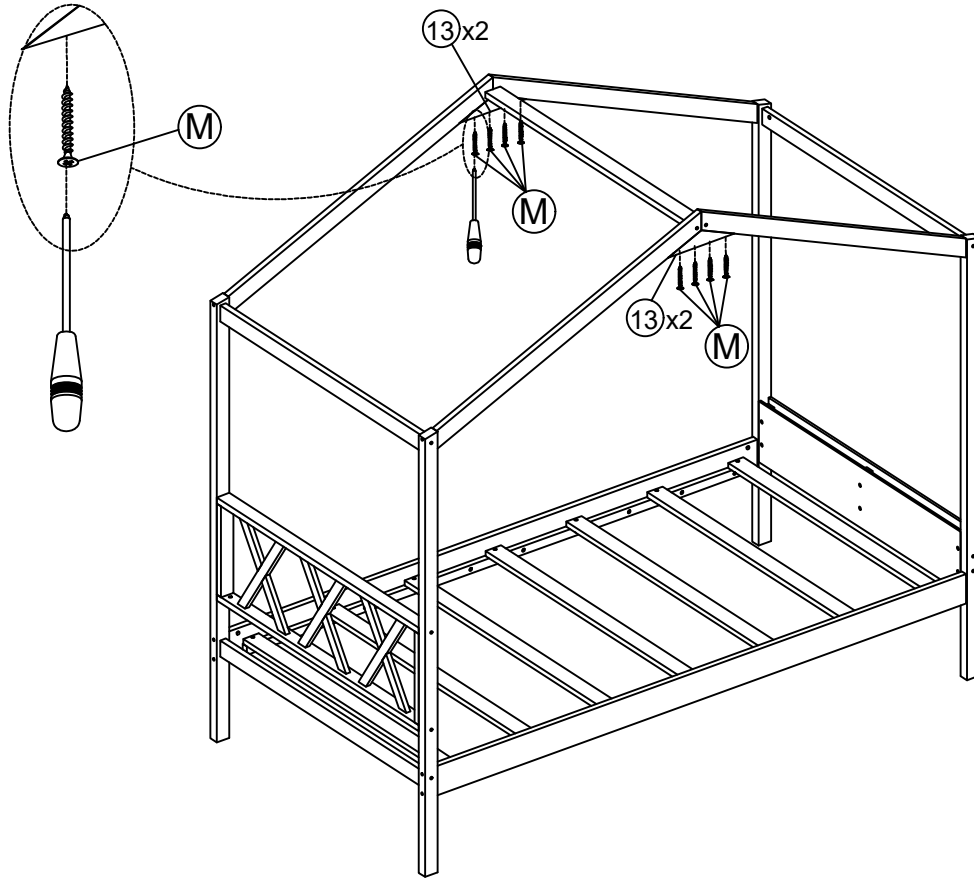
## Step 5



				<b>J</b>	4x58		1PC
<b>H</b>	Ø10x40		4PCS	<b>I</b>	Ø8x30		2PCS
<b>E</b>	6.5x90		4PCS	<b>F</b>	6.5x60		4PCS

# ASSEMBLY INSTRUCTIONS

Step 6



**M**

Ø4x30



8PCS

Step 7

