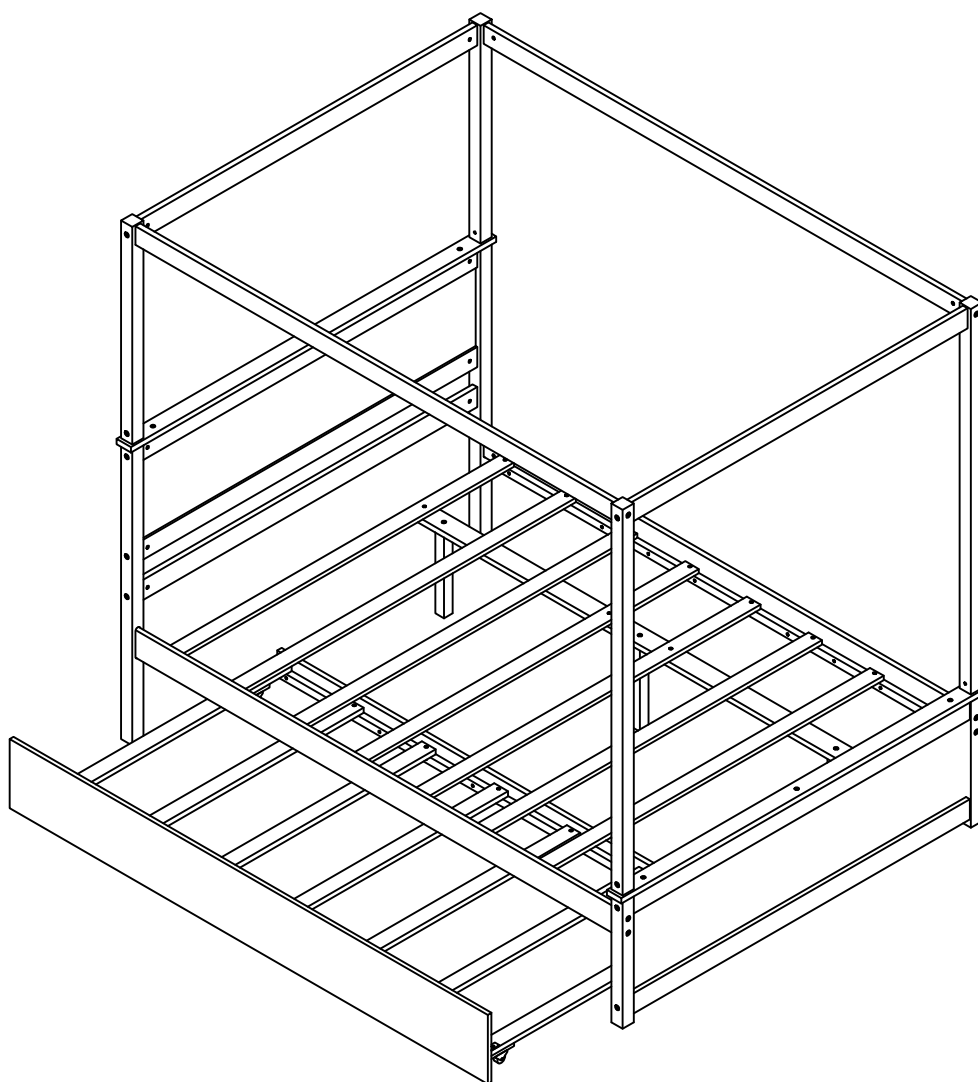


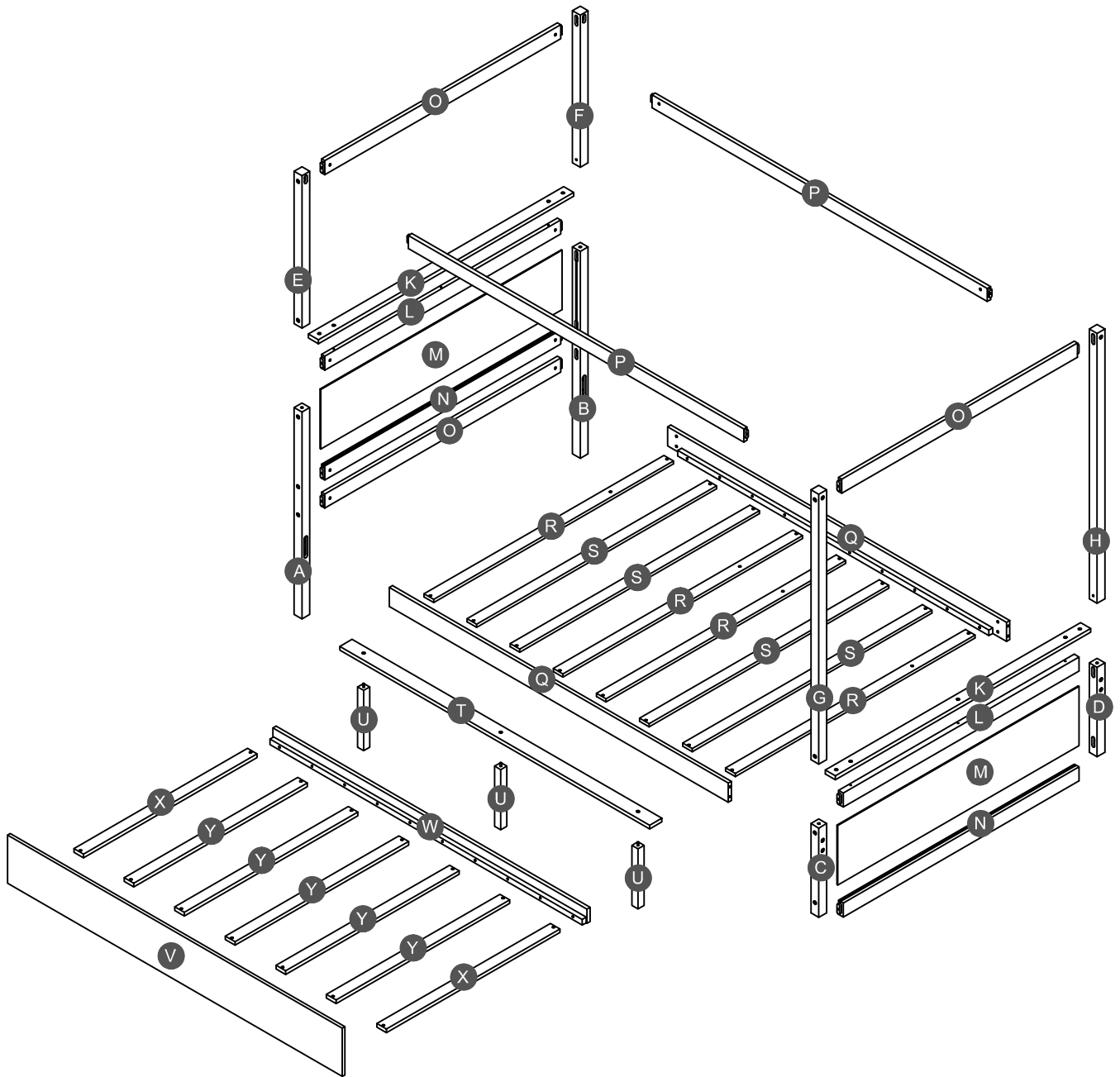
ASSEMBLY INSTRUCTIONS

FULL BED WITH TRUNDLE



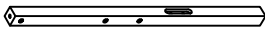

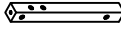
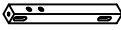
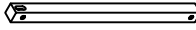
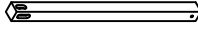
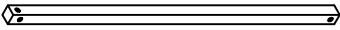
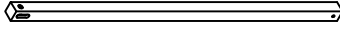

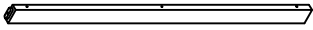
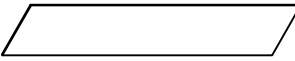
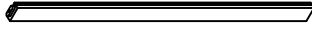
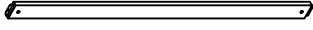
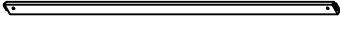
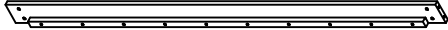
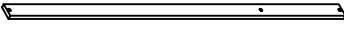
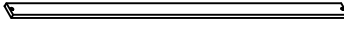
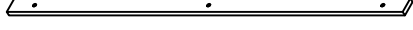
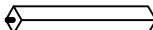

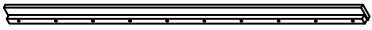
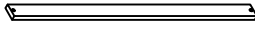
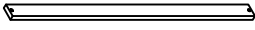
WF291343

Detail View

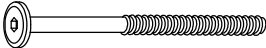
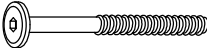




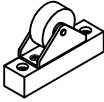
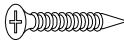


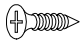
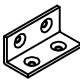


Part List

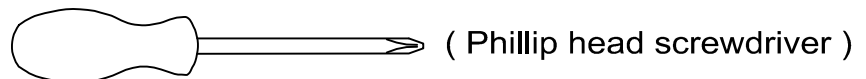
WF291343

<p>A</p>  <p>Lower leg left front - 1pc</p>	<p>B</p>  <p>Lower leg left back - 1pc</p>	<p>C</p>  <p>Lower leg right front - 1pc</p>
<p>D</p>  <p>Lower leg right back - 1pc</p>	<p>E</p>  <p>Upper leg left front - 1pc</p>	<p>F</p>  <p>Upper leg left back - 1pc</p>
<p>G</p>  <p>Upper leg right front - 1pc</p>	<p>H</p>  <p>Upper leg right back - 1pc</p>	<p>K</p>  <p>Cap for lower HB&FB - 2pcs</p>
<p>L</p>  <p>Horizontal bar - 2pcs</p>	<p>M</p>  <p>Lower side panel HB-FB - 2pcs</p>	<p>N</p>  <p>Horizontal bar - 2pcs</p>
<p>O</p>  <p>Horizontal bar - 3pcs</p>	<p>P</p>  <p>Upper horizontal bar - 2pcs</p>	<p>Q</p>  <p>Side rail - 2pcs</p>
<p>R</p>  <p>Slats - 4pcs</p>	<p>S</p>  <p>Slats - 4pcs</p>	<p>T</p>  <p>Lower support slat - 1pc</p>
<p>U</p>  <p>Leg support - 3pcs</p>	<p>V</p>  <p>Front panel side rail of trundle - 1pc</p>	<p>W</p>  <p>Back panel side rail of trundle - 1pc</p>
<p>X</p>  <p>Trundle Slats - 2pcs</p>	<p>Y</p>  <p>Trundle Slats - 5pcs</p>	

Hardware List

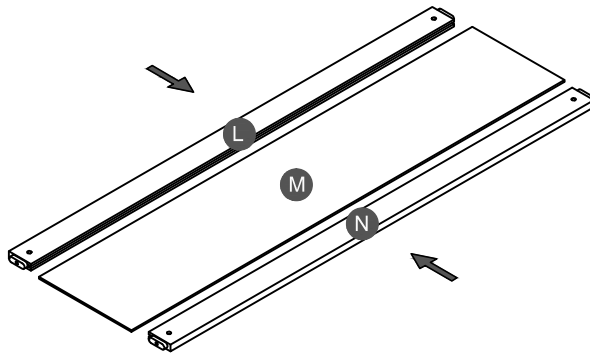
1  (Ø15)1/4"*100mm Hex-Head bolts (12pcs)	2  (Ø15)1/4"*80mm Hex-Head bolts (14pcs)	3  (Ø12)1/4"*30mm Hex-Head bolts (4pcs)
4  1/4"*15 (9.5mm) Horizontal-Hole bolts(26pcs)	5  (Ø12)1/4"*40mm Hex-Head bolts (6pcs)	6  (Ø10)1/4"*95mm Connecting bar (4pcs)
7  100*63*20mm Wheels (4pcs)	8  Ø4*30mm Wood screws (42pcs)	9  (1/4")4.5*58mm Allen key (1pc)
10  95*95*18*3mm Metal bracket (2pcs)	11  Ø3.5*15mm Wood screws (16pcs)	12  40*18*18*2mm Metal bracket (2pcs)

ASSEMBLY TOOLS REQUIRED (NOT INCLUDED)





DO NOT USE POWER TOOLS TO ASSEMBLE THIS PRODUCT !

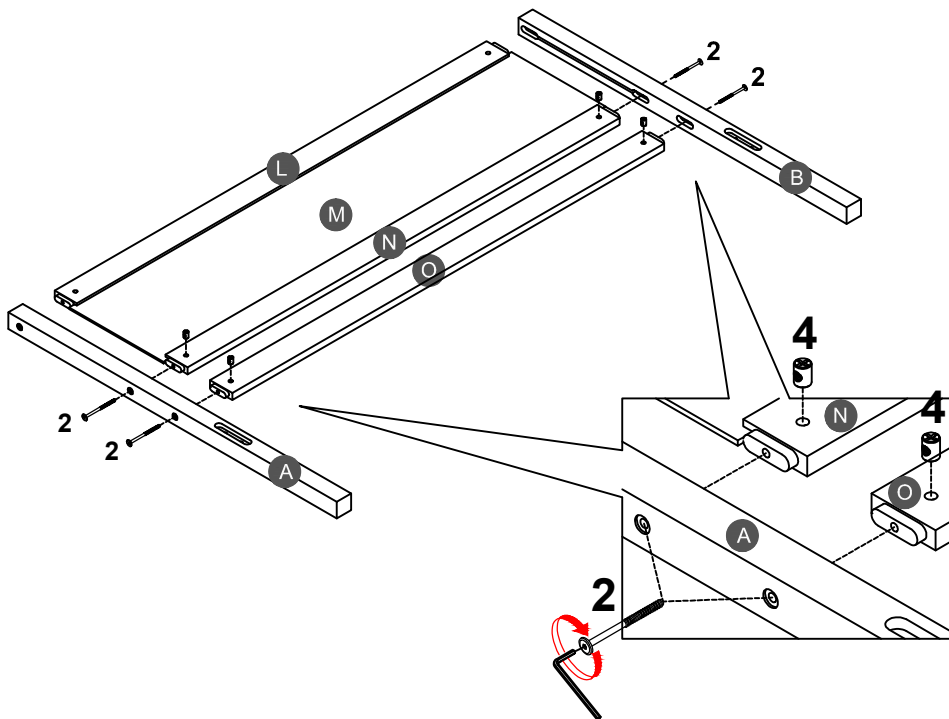
STEP 1:



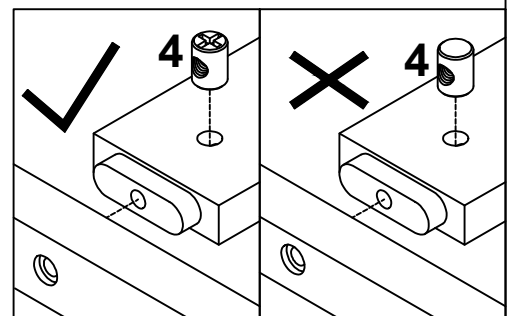
x 2

STEP 2:




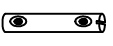
2		4	
4PCS		4PCS	

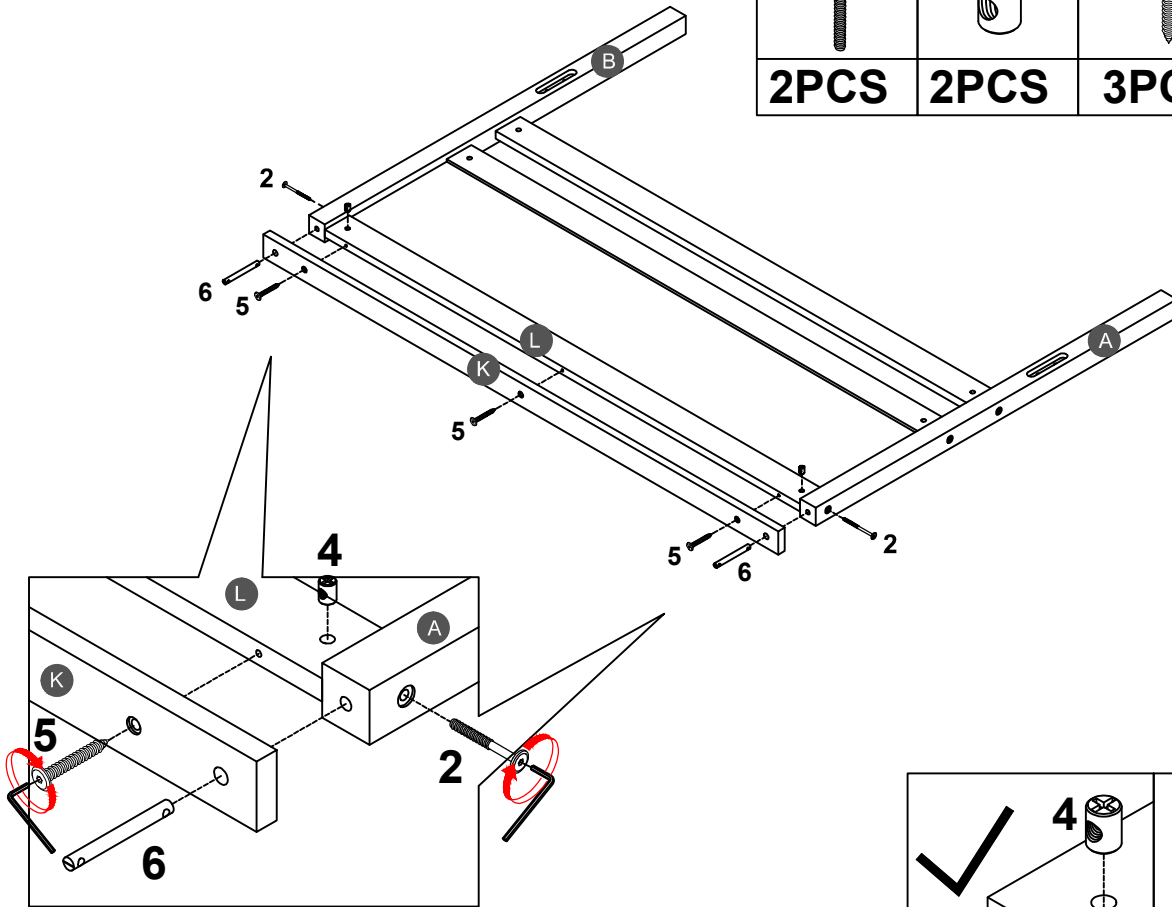


Note: Part 4 will face up with the "x" mark on it, otherwise it cannot be tightened

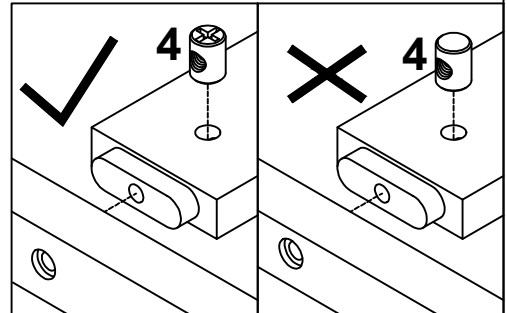


STEP 3:



2		4		5		6	
2PCS		2PCS		3PCS		2PCS	

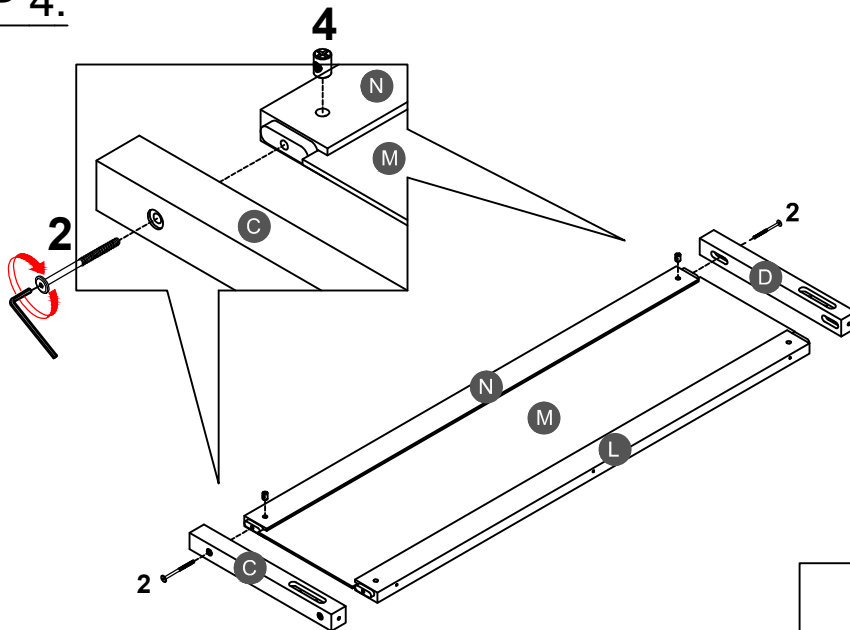


Note: Part 4 will face up with the "x" mark on it, otherwise it cannot be tightened

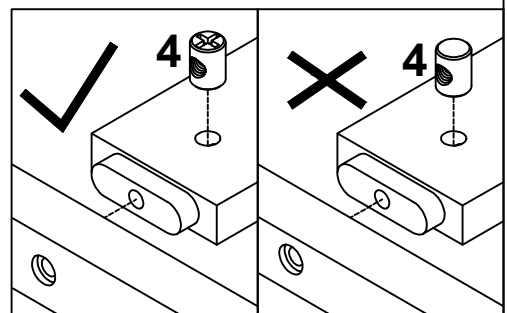


STEP 4:




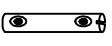
2		4	
2PCS		2PCS	

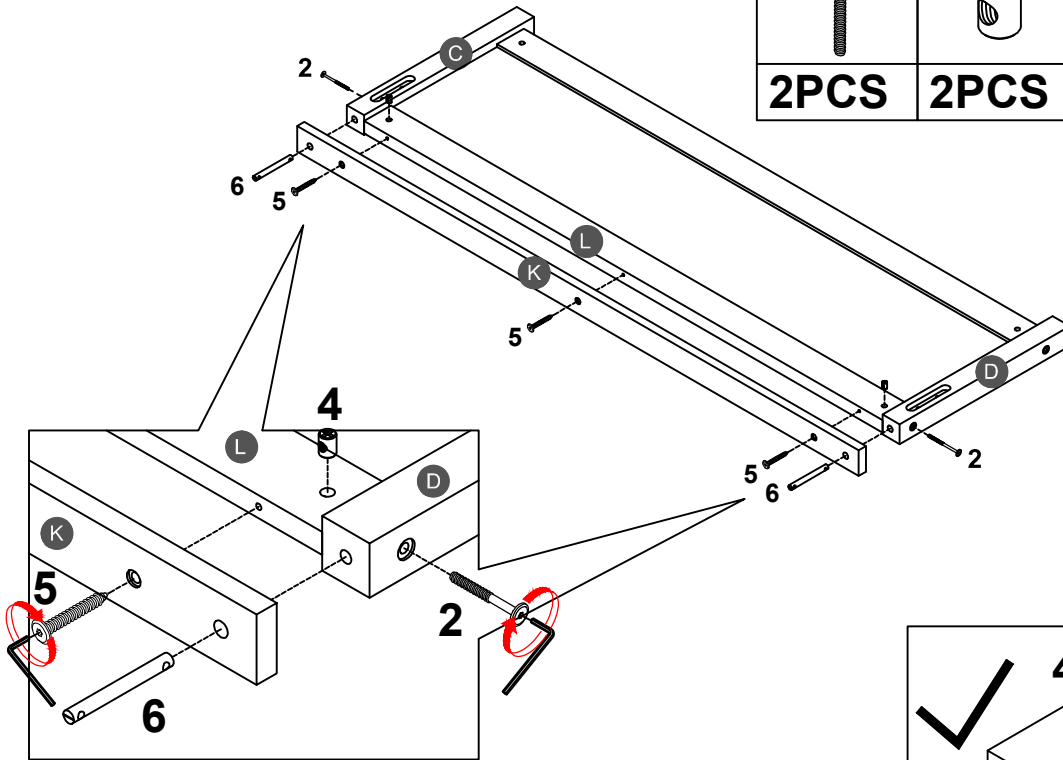


Note: Part 4 will face up with the "x" mark on it, otherwise it cannot be tightened

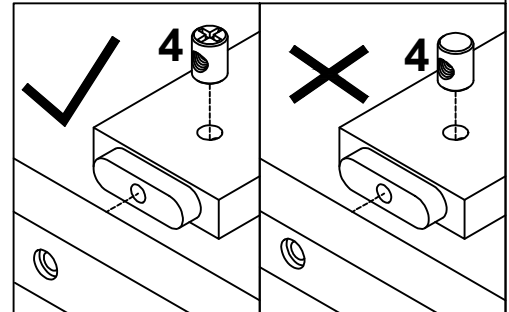


STEP 5:



2		4		5		6	
2PCS		2PCS		3PCS		2PCS	

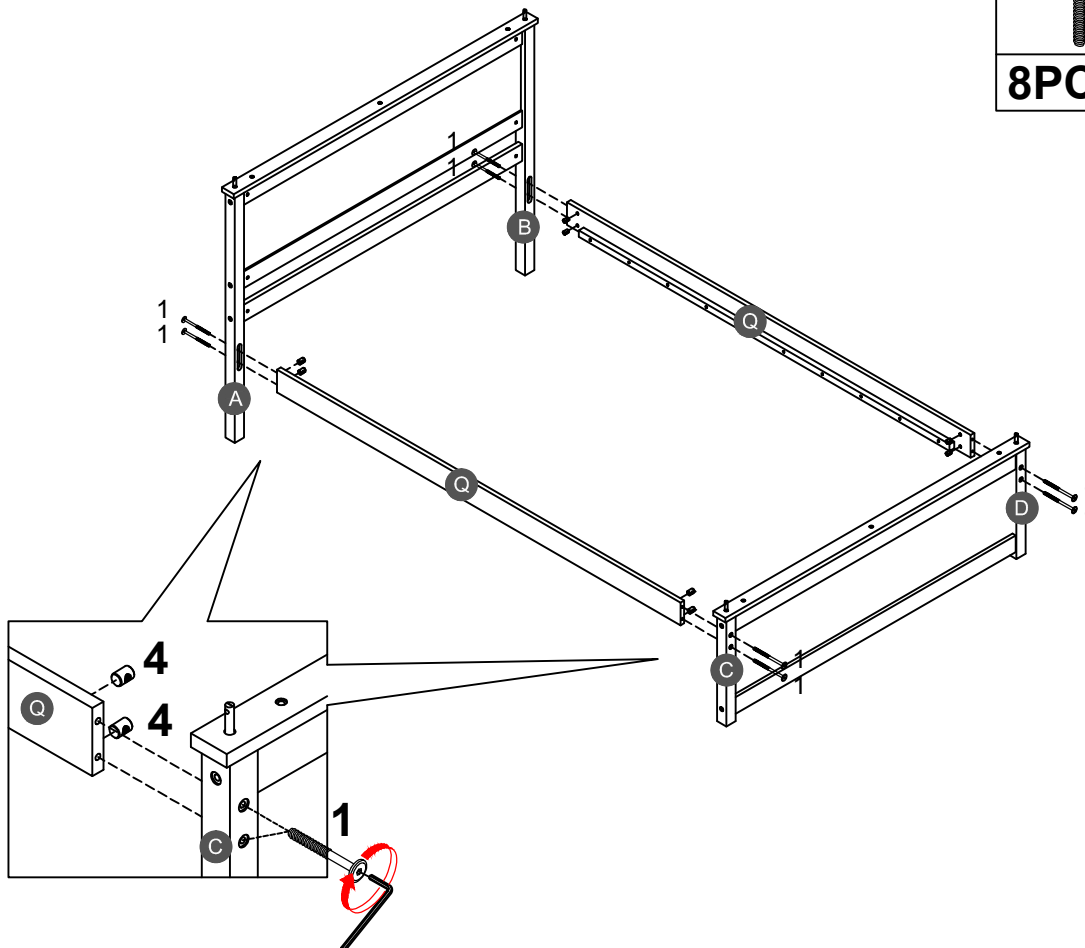


Note: Part 4 will face up with the "x" mark on it, otherwise it cannot be tightened





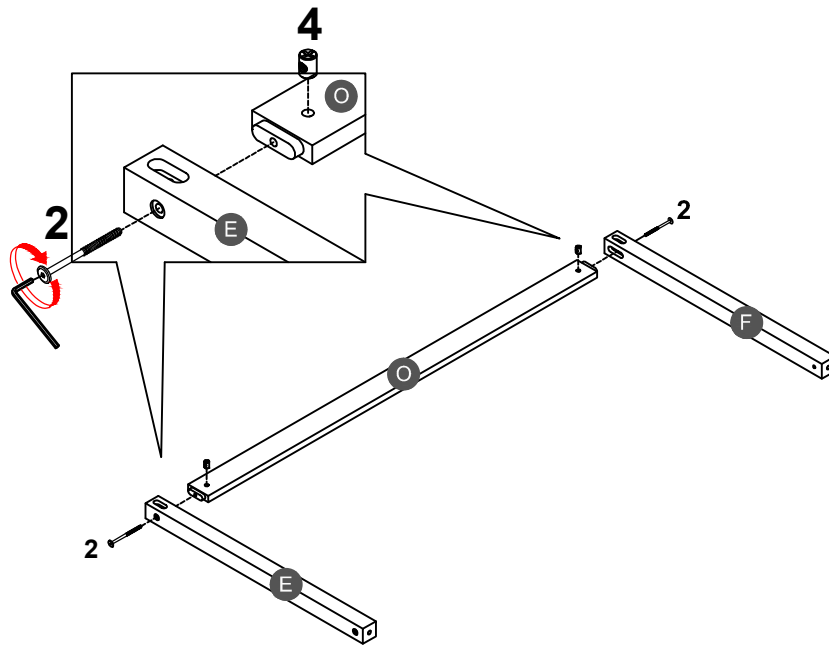
STEP 6:

1		4	
8PCS		8PCS	





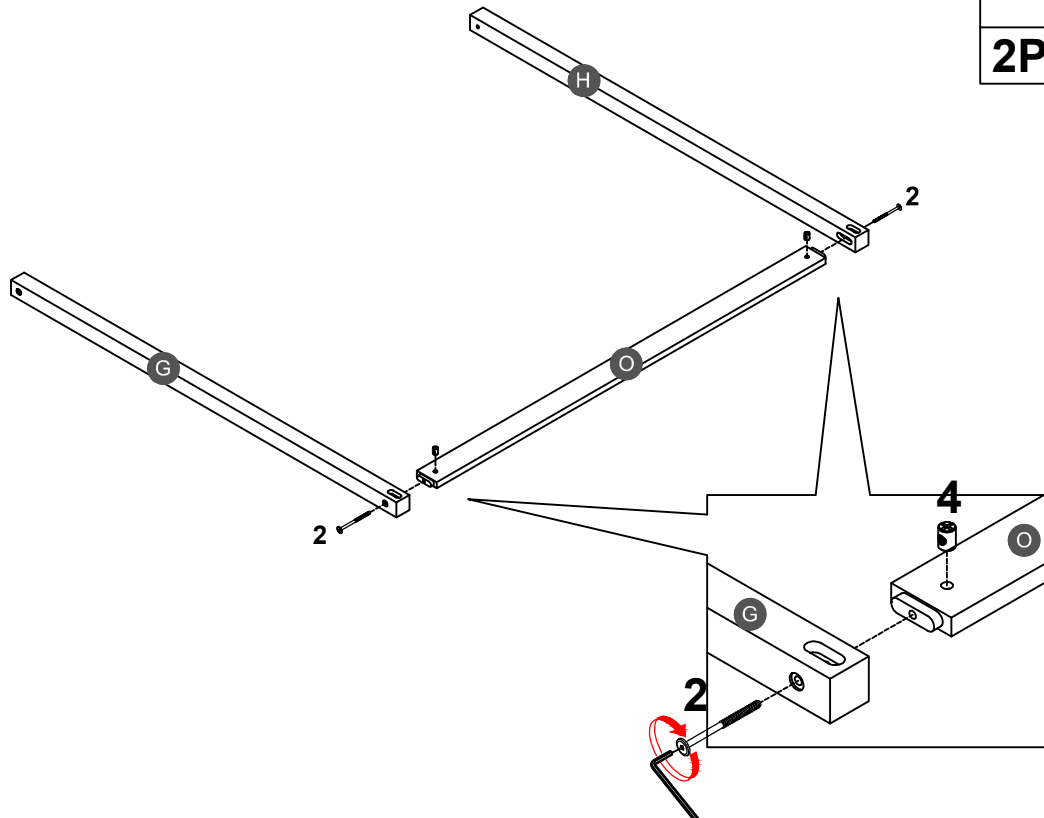
STEP 7:

2		4	
2PCS		2PCS	





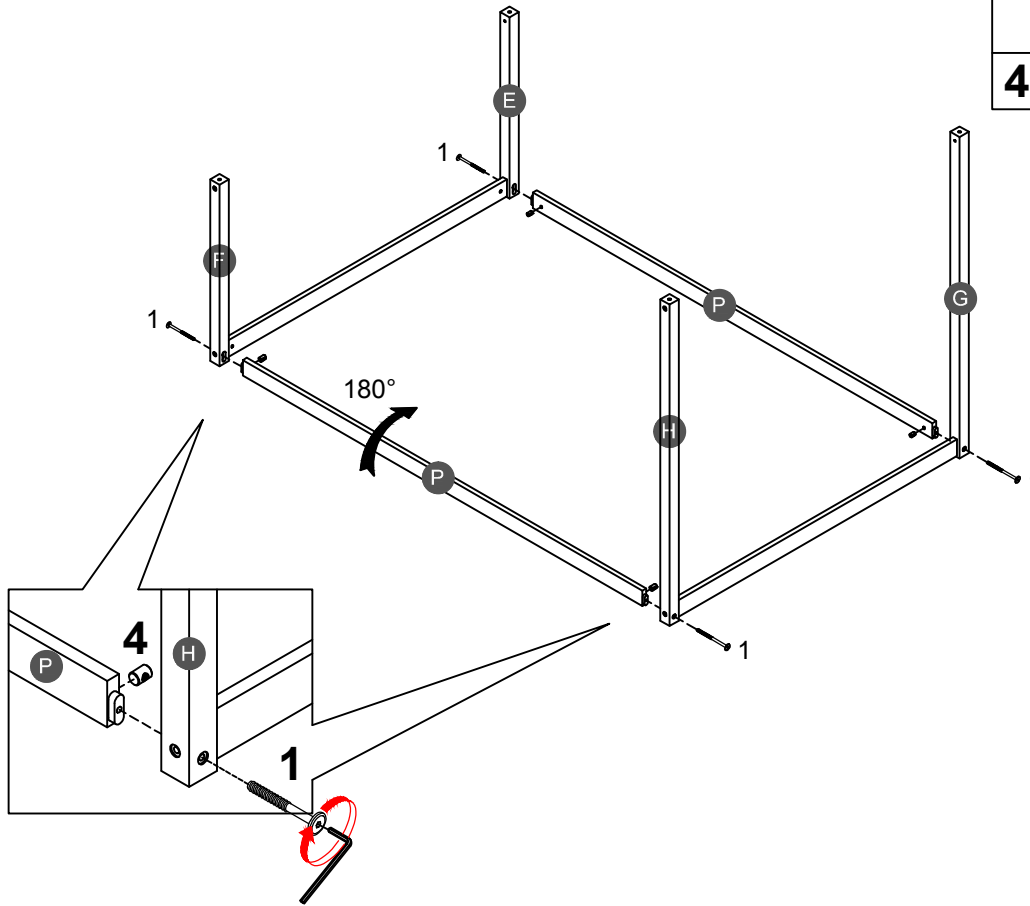
STEP 8:

2		4	
2PCS		2PCS	




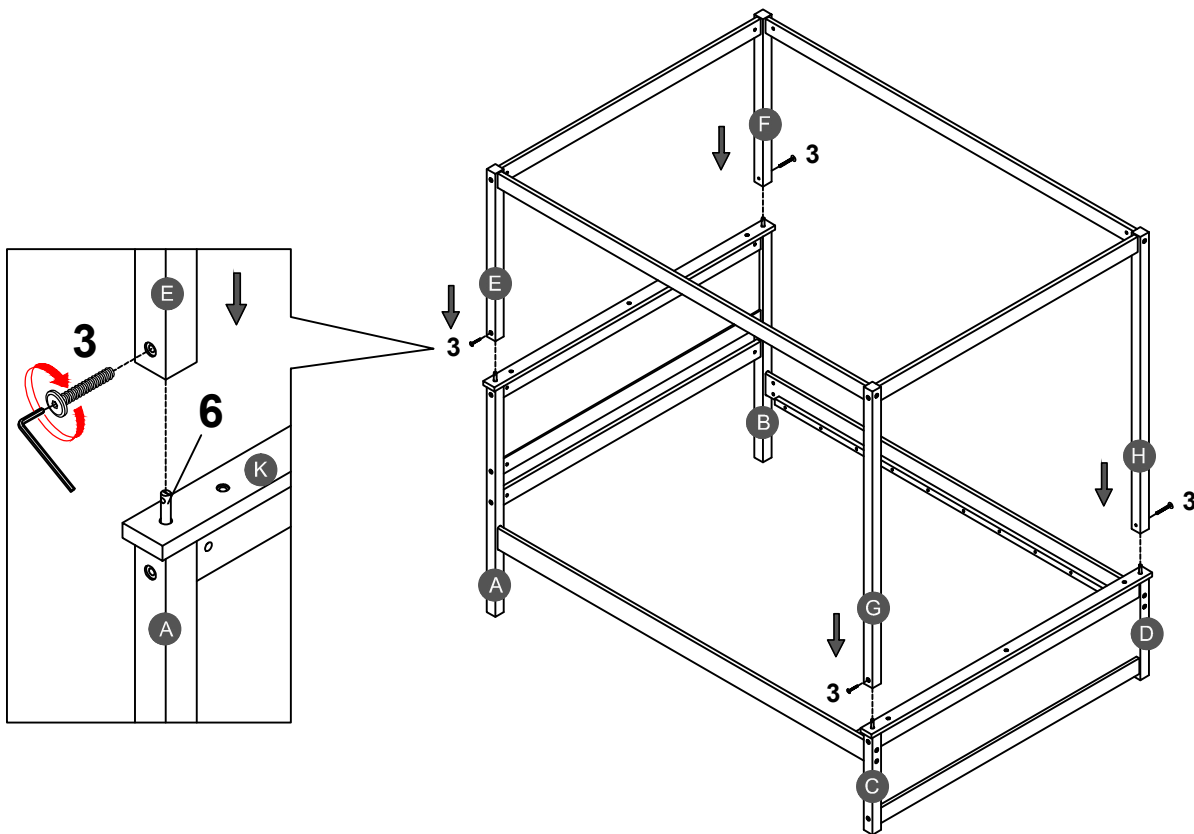
STEP 9:

1		4	
4PCS		4PCS	

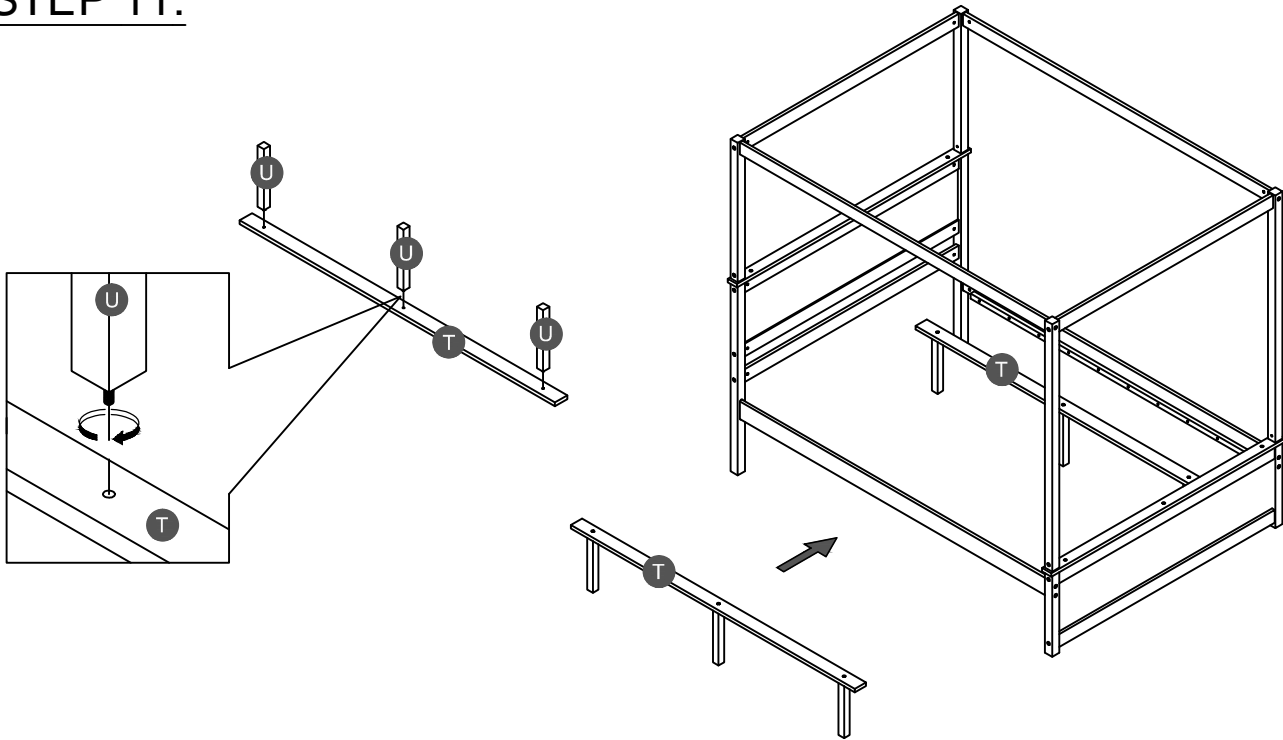


STEP 10:

3	
4PCS	

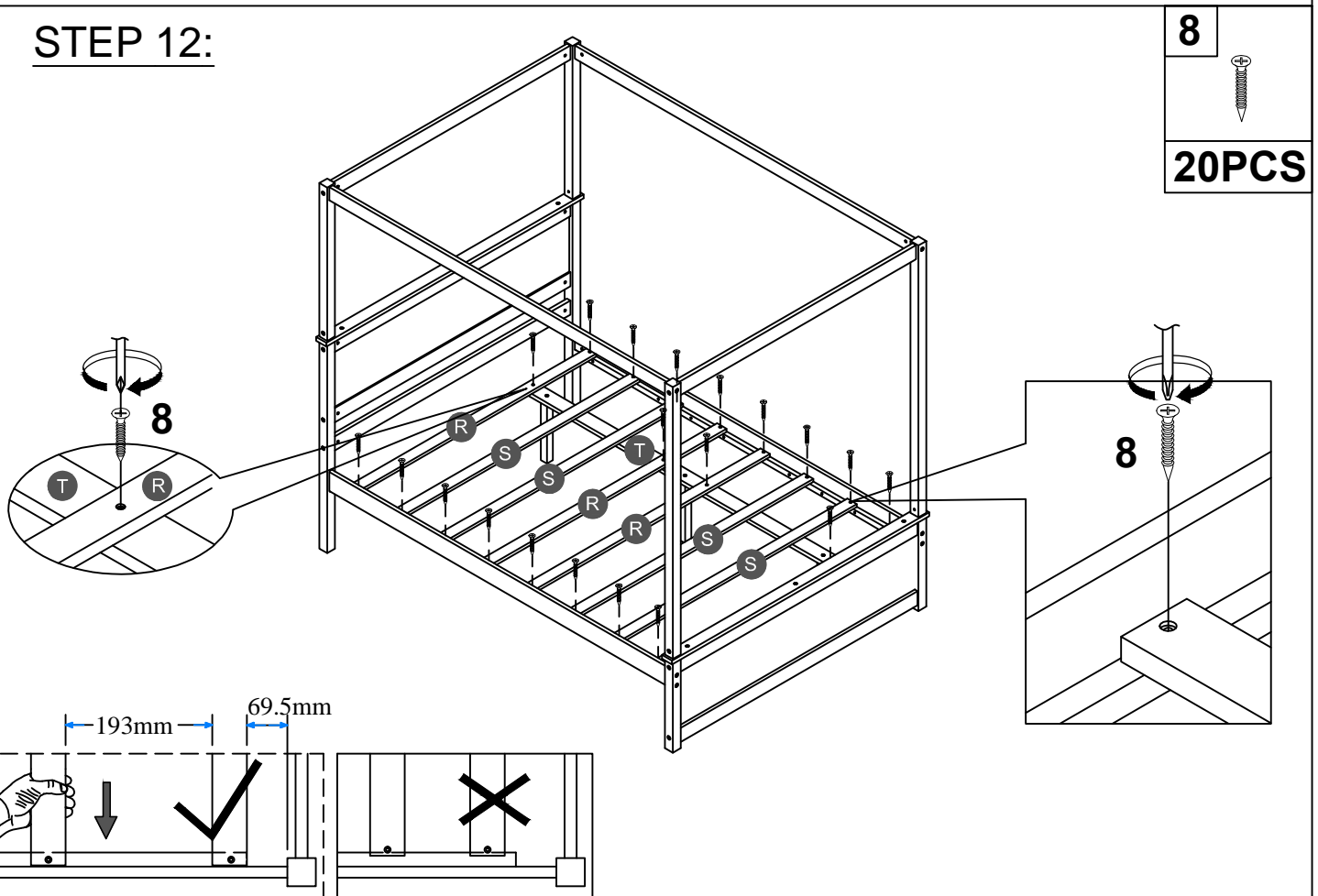


STEP 11:



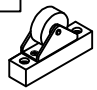
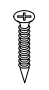
Assembling leg support (T) with lower support slat (U) later rotate, Move support slat inside Full bunkbed.

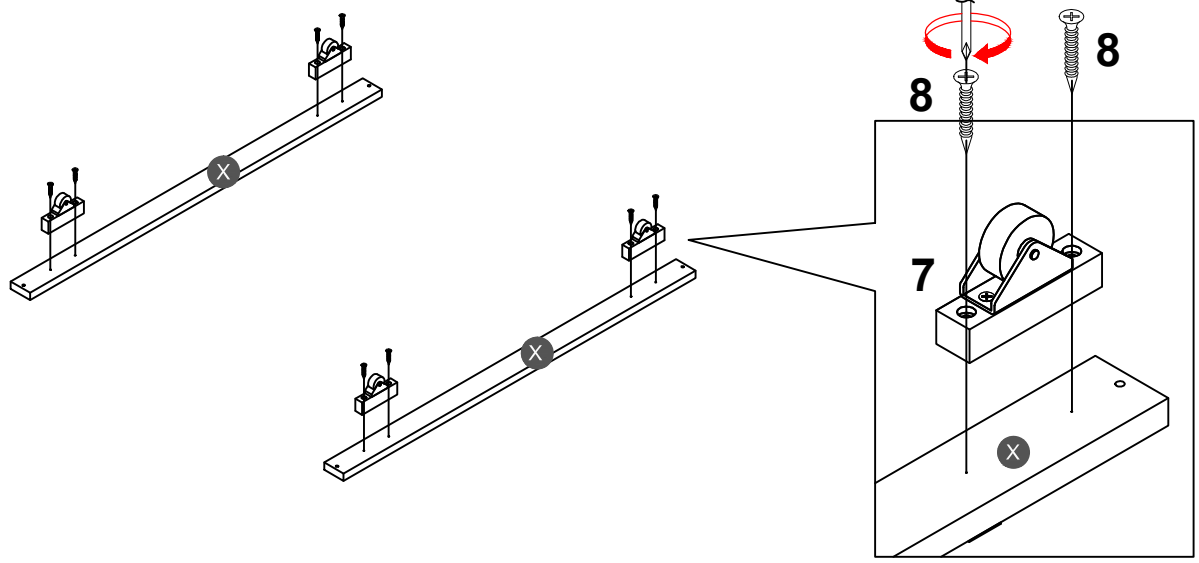
STEP 12:




Note: Do not lock the screws of the bed slats to the outermost edge of the bed slats, you need to leave a certain space at the edges, otherwise it will cause the board to break. Do not lock the bed slats on the edge of the wood, please hold firmly before screwing, hold it in place with one hand, then lock the screw.

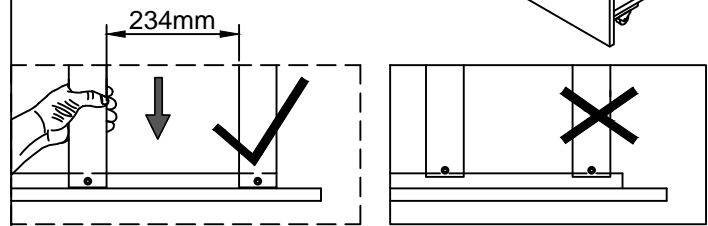
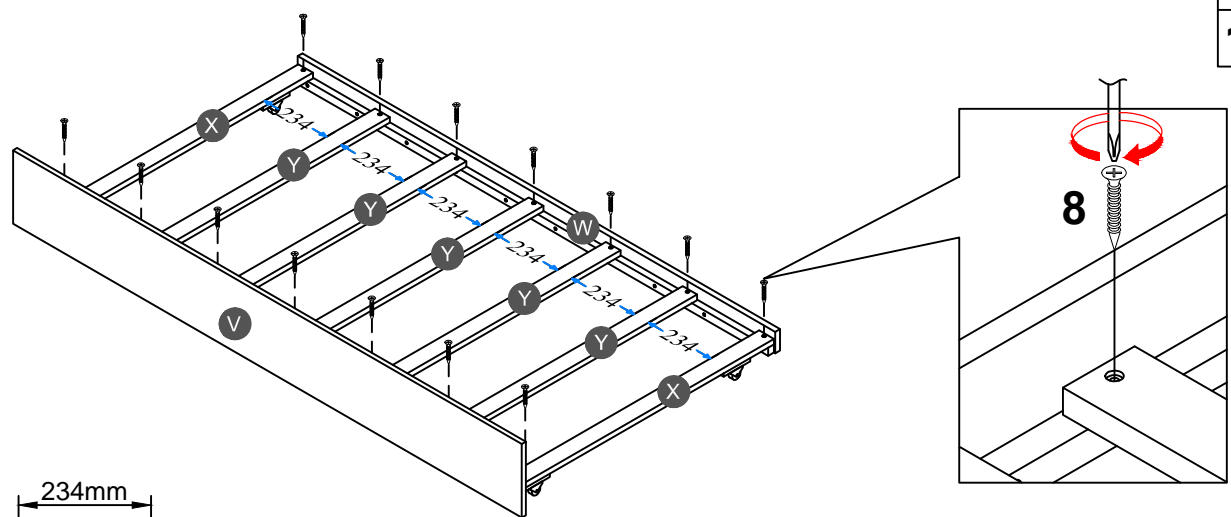
STEP 13:

7	8
	
4PCS	8PCS





STEP 14:

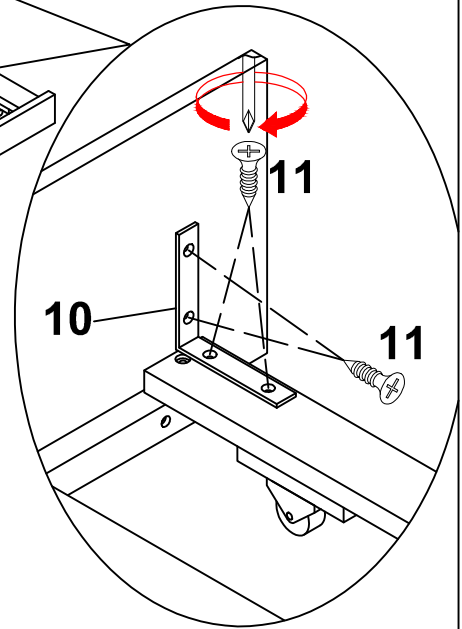
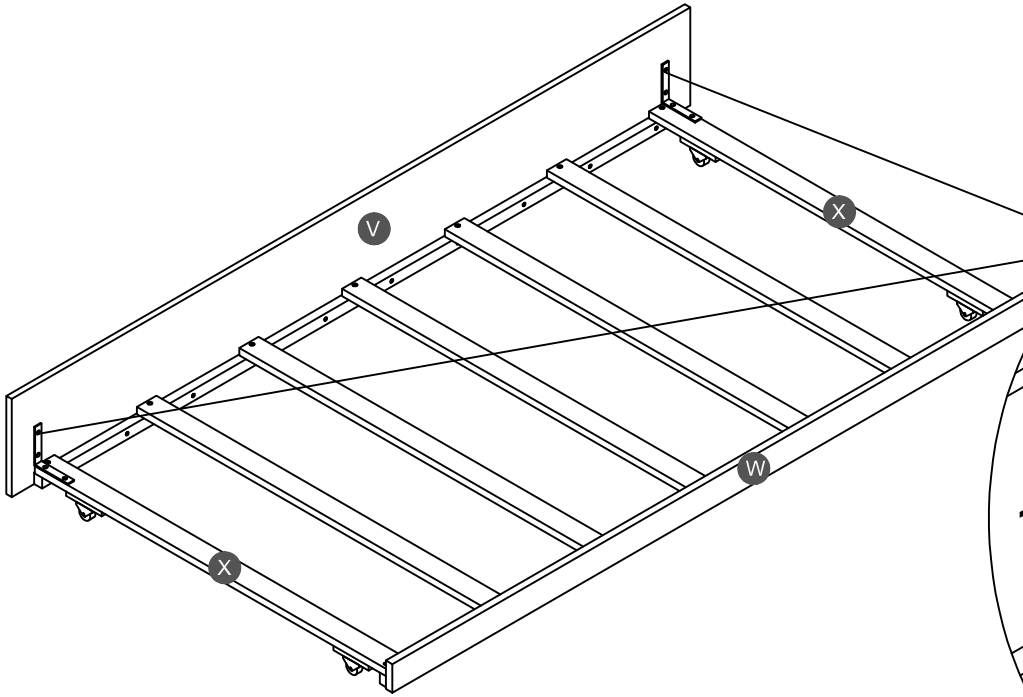
8

14PCS



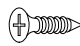
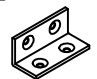
Note: Do not lock the screws of the bed slats to the outermost edge of the bed slats, you need to leave a certain space at the edges, otherwise it will cause the board to break.
 Do not lock the bed slats on the edge of the wood, please hold firmly before screwing , hold it in place with one hand, then lock the screw.

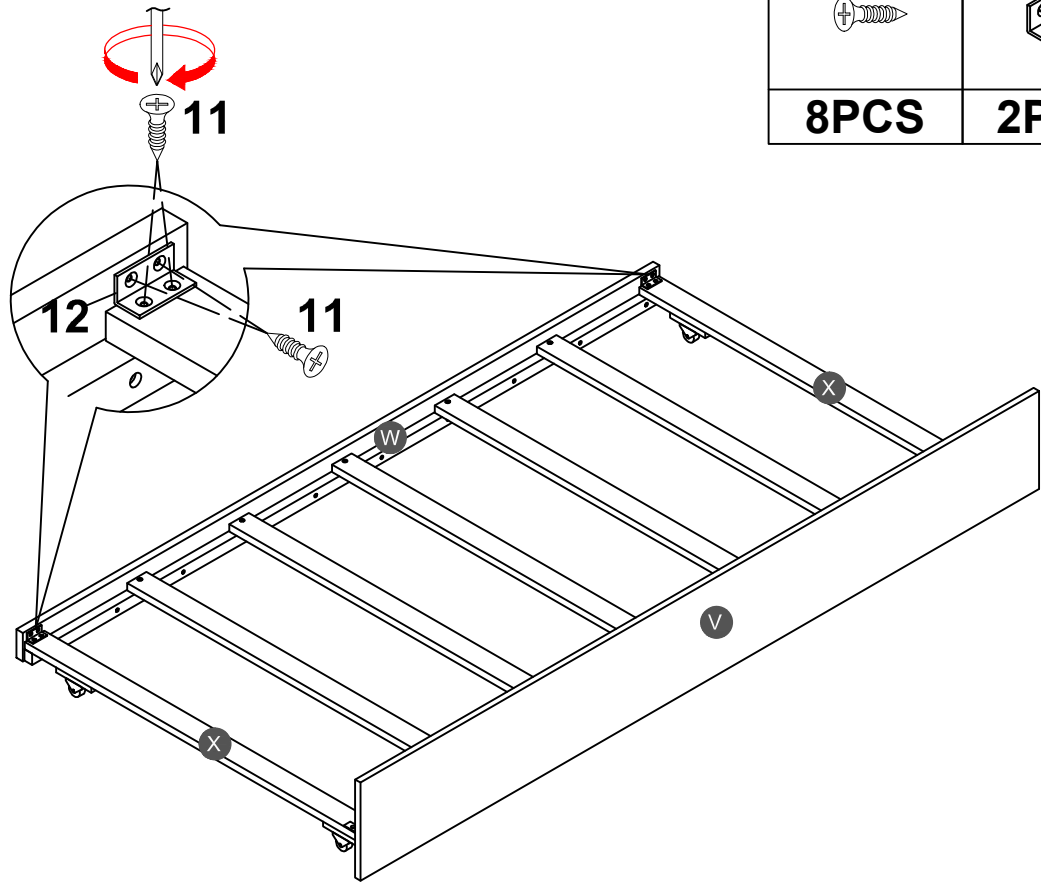
STEP 15:

10	11
	
2PCS	8PCS

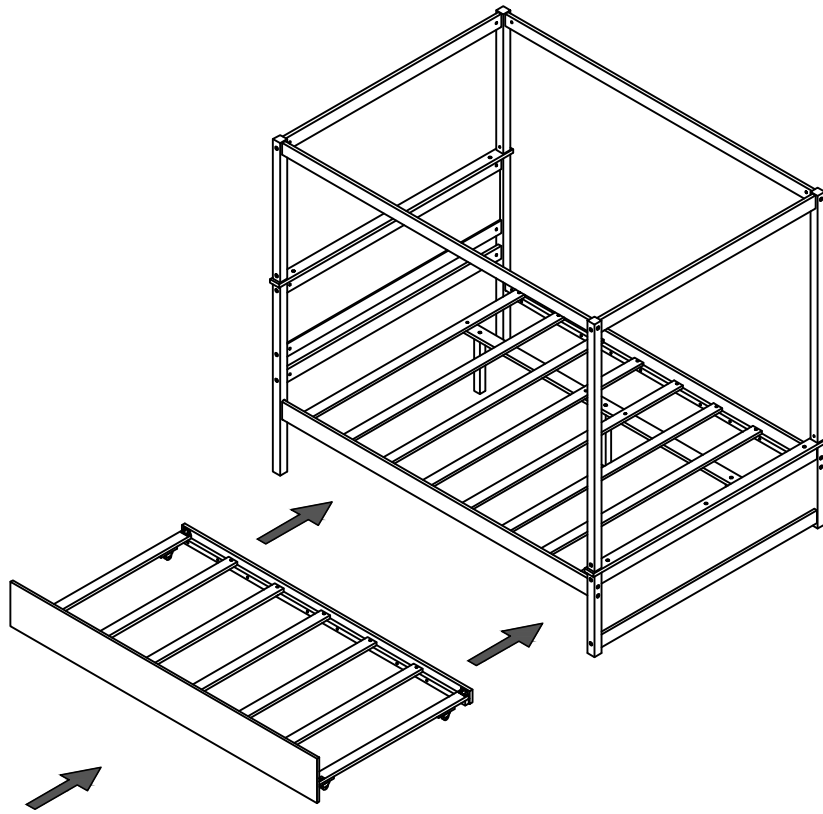


STEP 16:

11	12
	
8PCS	2PCS



STEP 17:



Push Trundle under the bottom of Bunkbed.

