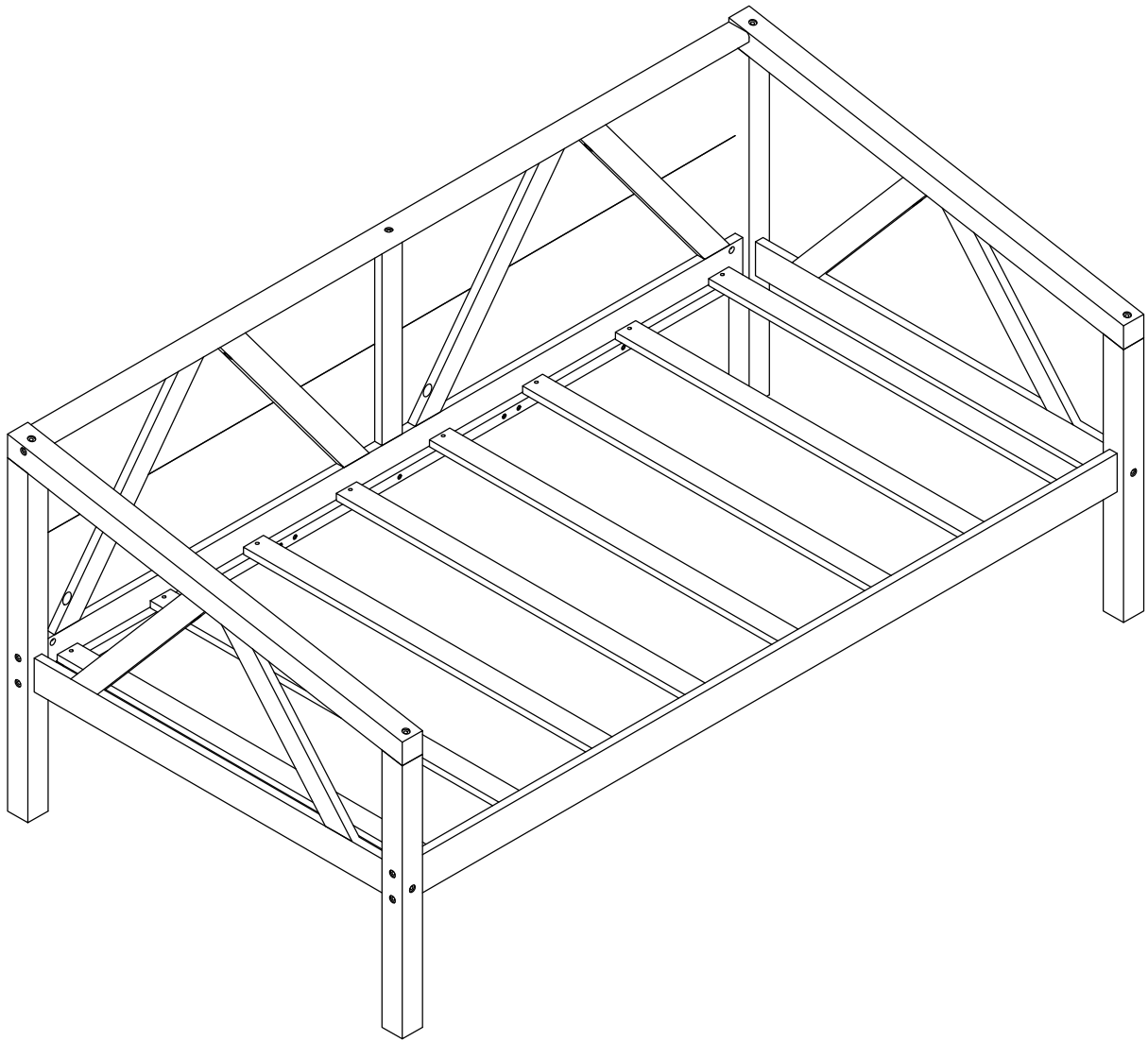


ASSEMBLY INSTRUCTIONS

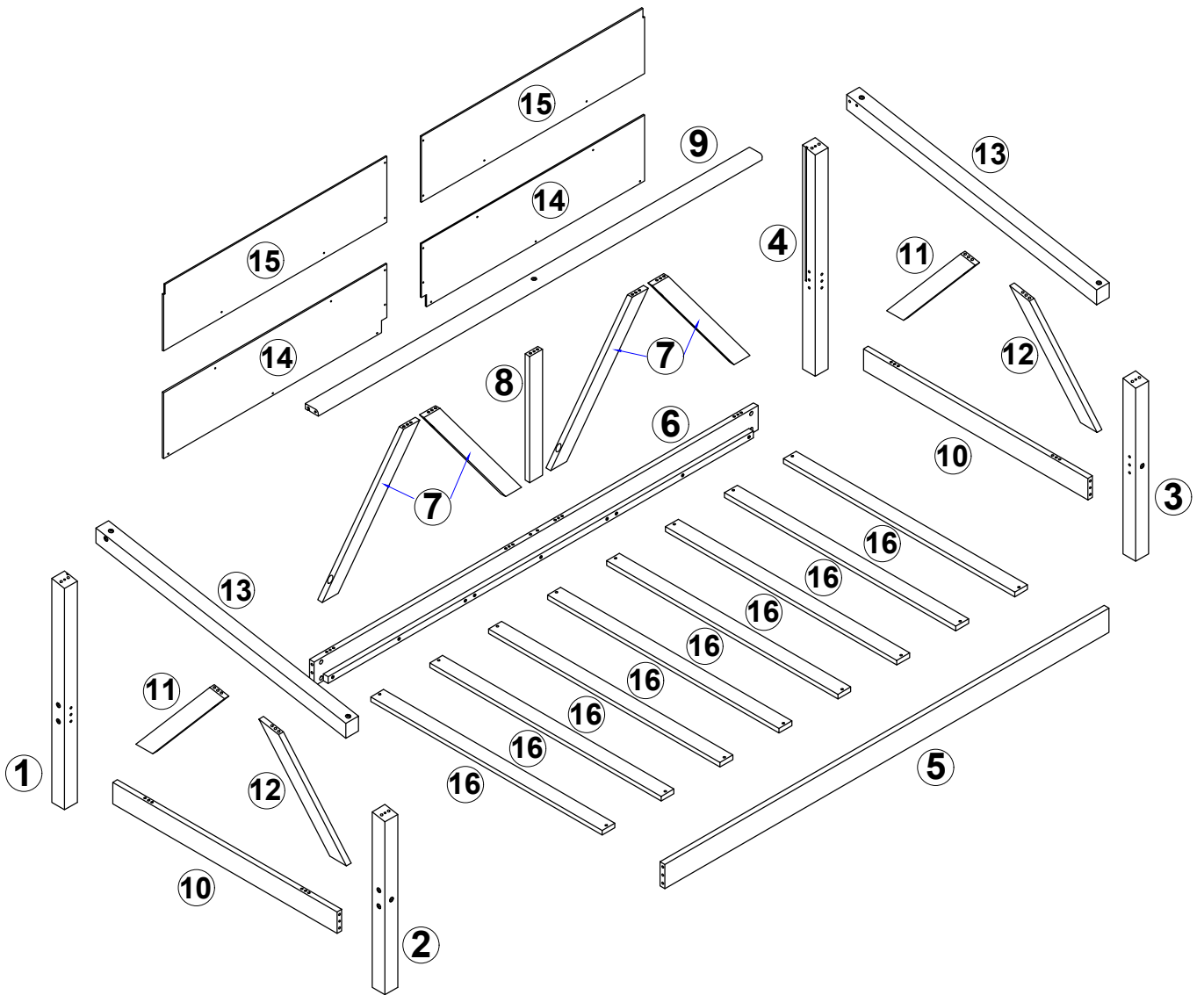
TWIN SIZE DAY BED



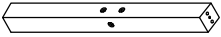
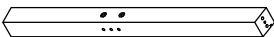
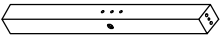


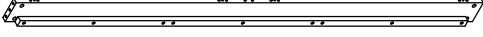
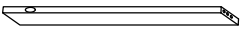
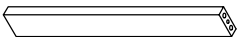
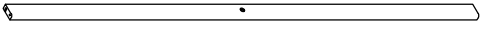




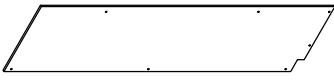
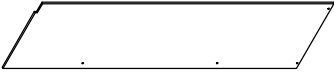
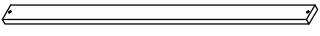
This set is included 1 boxes if don't receive full 1 boxes please contact our customer service team.

WF283134

Detail View

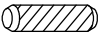







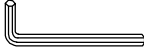


Part List(WF283134)

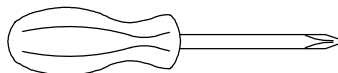
<p>1</p>  <p>Left Front Foot - 1pcs</p>	<p>2</p>  <p>Left Back Leg - 1pc</p>
<p>3</p>  <p>Right Front Leg - 1pc</p>	<p>4</p>  <p>Right Back Leg - 1pc</p>
<p>5</p>  <p>Front Bed Shoulder - 1pc</p>	<p>6</p>  <p>Back Bed Shoulder - 1pc</p>
<p>7</p>  <p>Back Diagonal Quiz - 4pcs</p>	<p>8</p>  <p>Behind Quiz - 1pc</p>
<p>9</p>  <p>Upper Horizontal Bar - 1pc</p>	<p>10</p>  <p>Lower Hip Bar - 2pcs</p>
<p>11</p>  <p>Rear Hip Diagonal Quiz - 2pcs</p>	<p>12</p>  <p>Previous Hip Diagonal Quiz - 2pcs</p>
<p>13</p>  <p>Horizontal Bars On The Hips - 2pcs</p>	<p>14</p>  <p>Lower Queen - 2pcs</p>
<p>15</p>  <p>Upper Game - 2pcs</p>	<p>16</p>  <p>Slat - 8pcs</p>

Part List(WF283134)

Hardware List


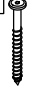
A  Ø8*30mm Wood dowel (58pcs)	B  Ø6*100mm Hex-Head screw (14pcs)	C  Ø1/4" Horizontal-Hole bolt (8pcs)
D  Ø1/4"*100mm Hex-Head bolt (8pcs)	E  #4*30mm Screw (16pcs)	F  #4*15mm Screw (24pcs)
G  Iron Bass (1pcs)	H  Ø6*50mm Hex-Head screw (13pcs)	I  K4mm Allen key (1pc)

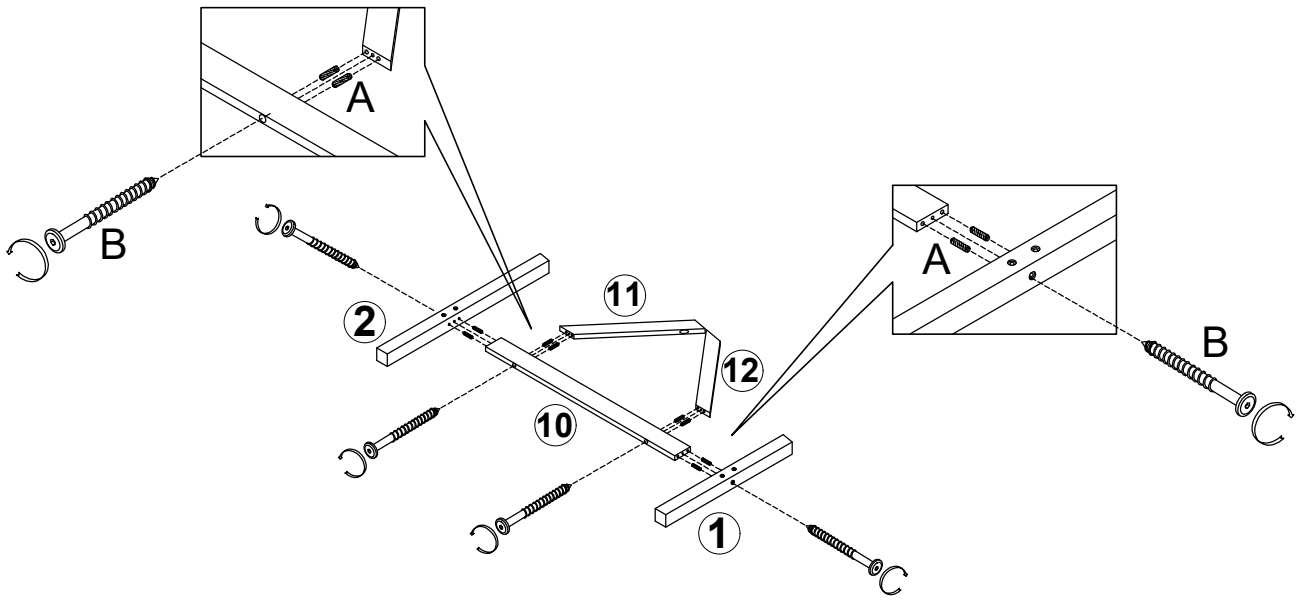
ASSEMBLY TOOLS REQUIRED (NOT INCLUDED)






PLEASE BE CAREFUL DO NOT DAMAGE THE HOLE POSITION WHEN YOU USE POWER TOOLS !

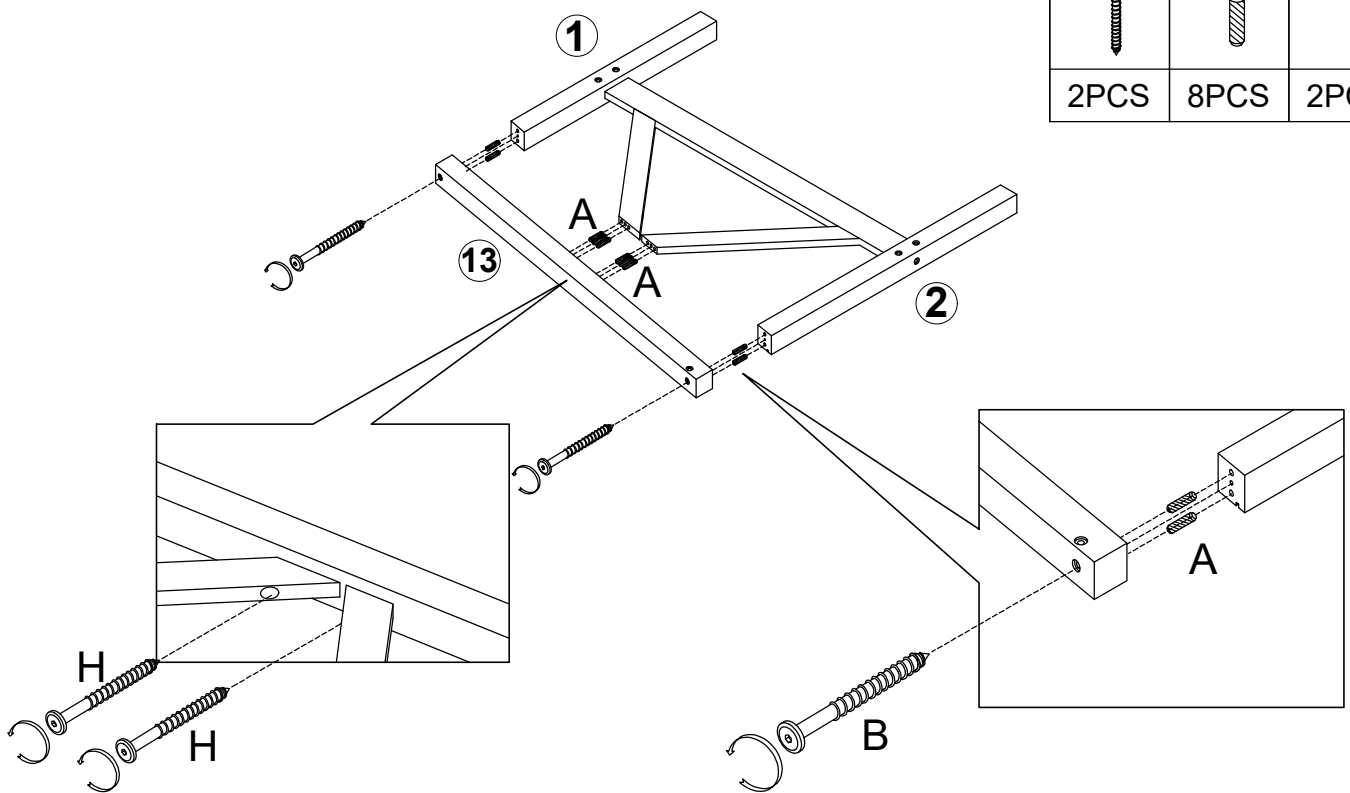
STEP 1

A	B
	
8PCS	4PCS


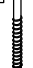


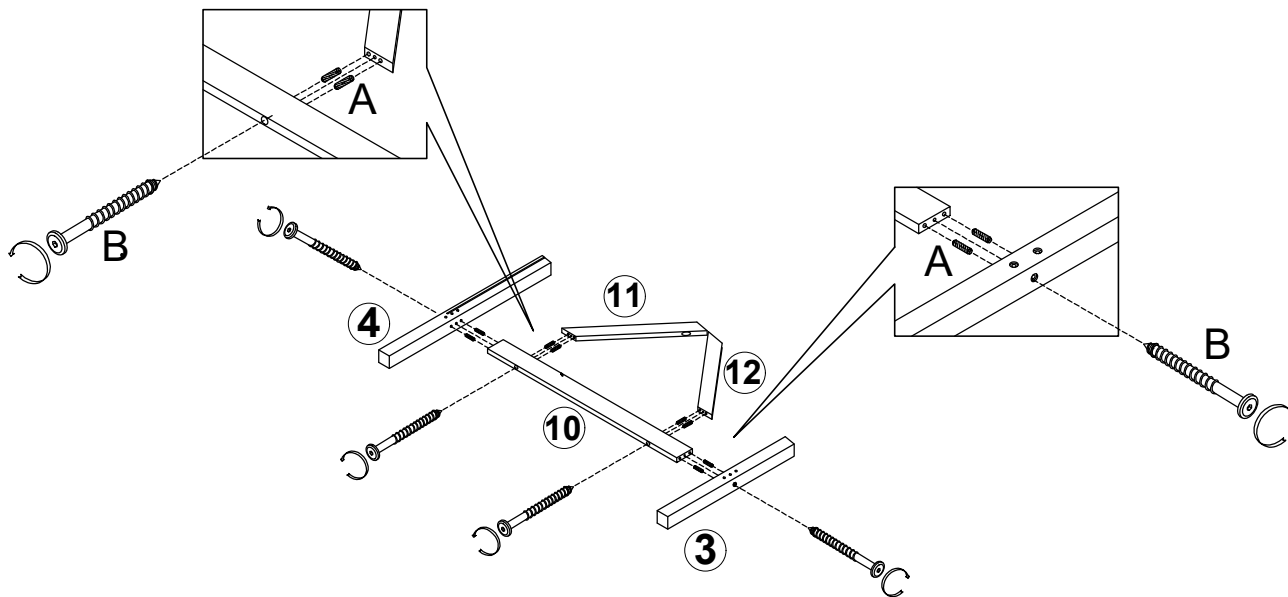
STEP 2

H	A	B
		
2PCS	8PCS	2PCS






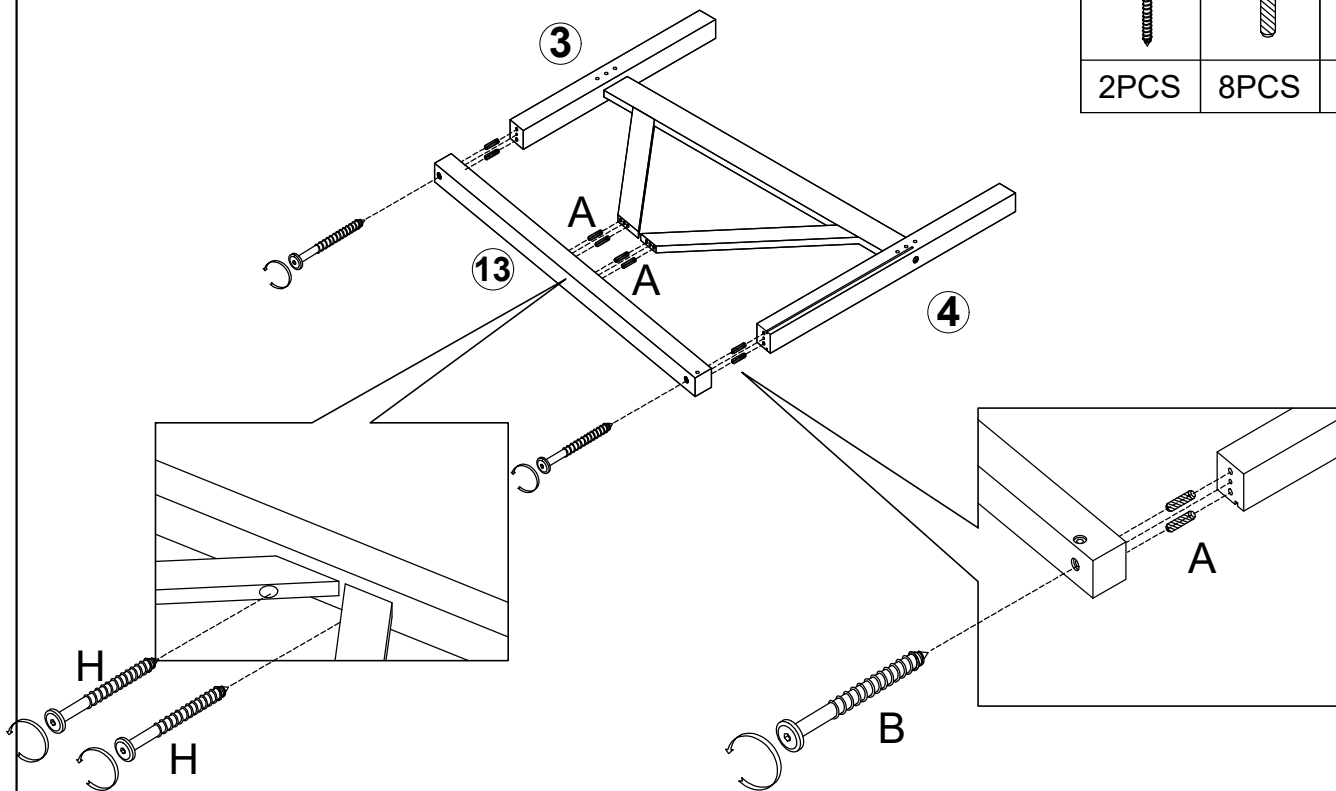
STEP 3

A	B
	
8PCS	4PCS





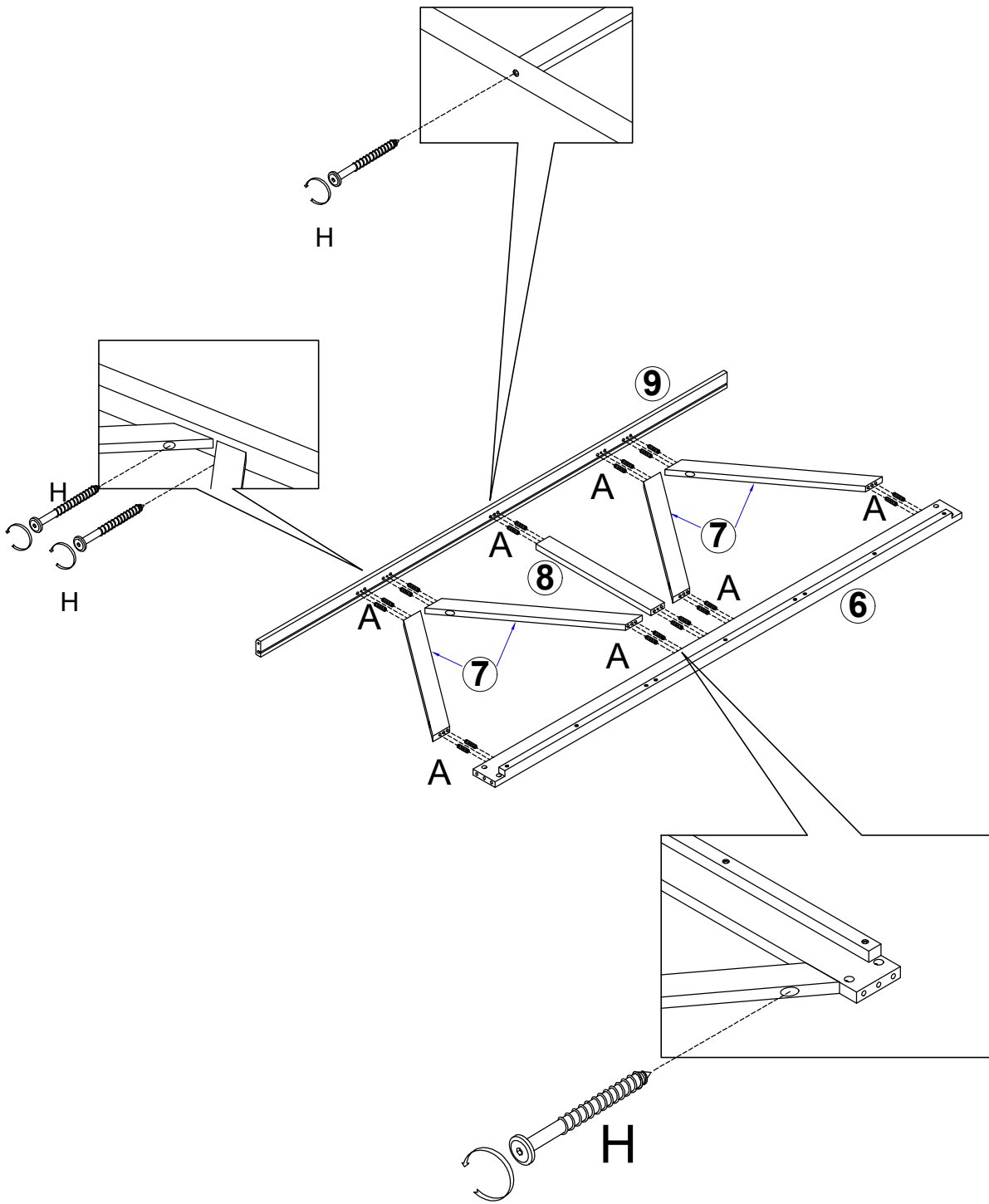
STEP 4

H	A	B
		
2PCS	8PCS	2PCS

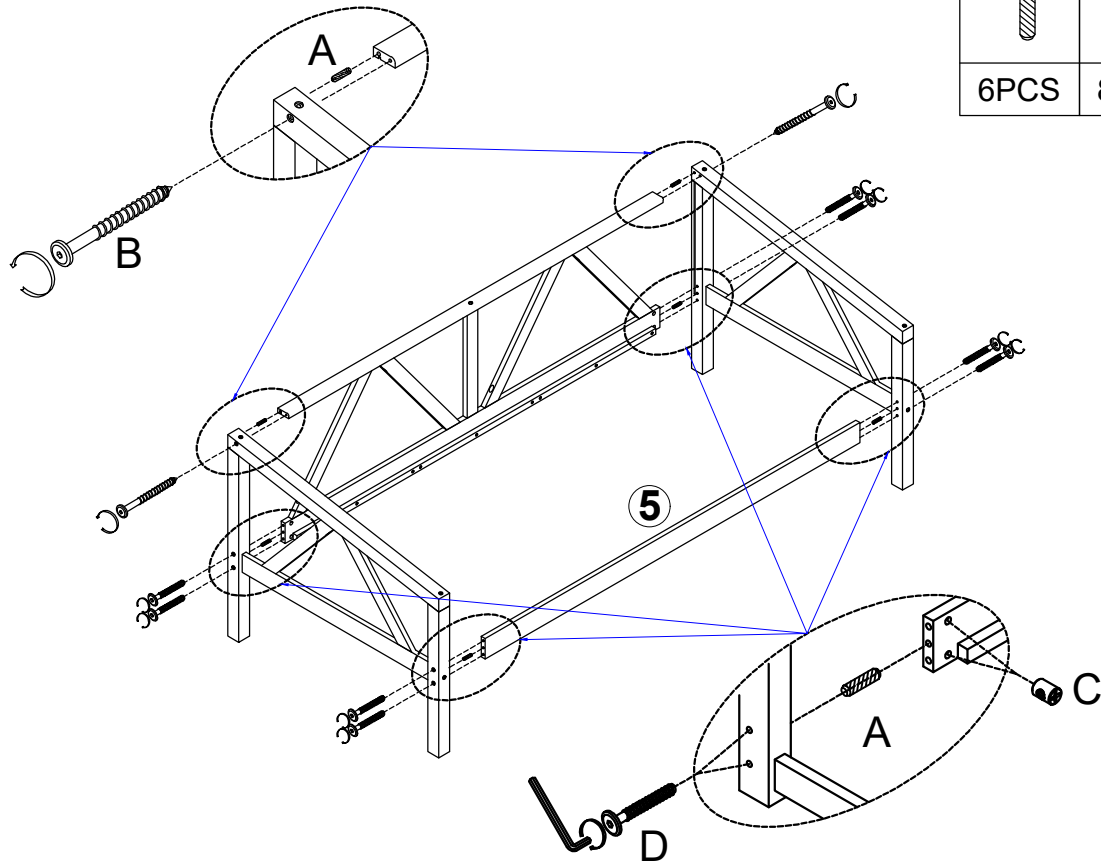






STEP 5

H		A	
8PCS		20PCS	

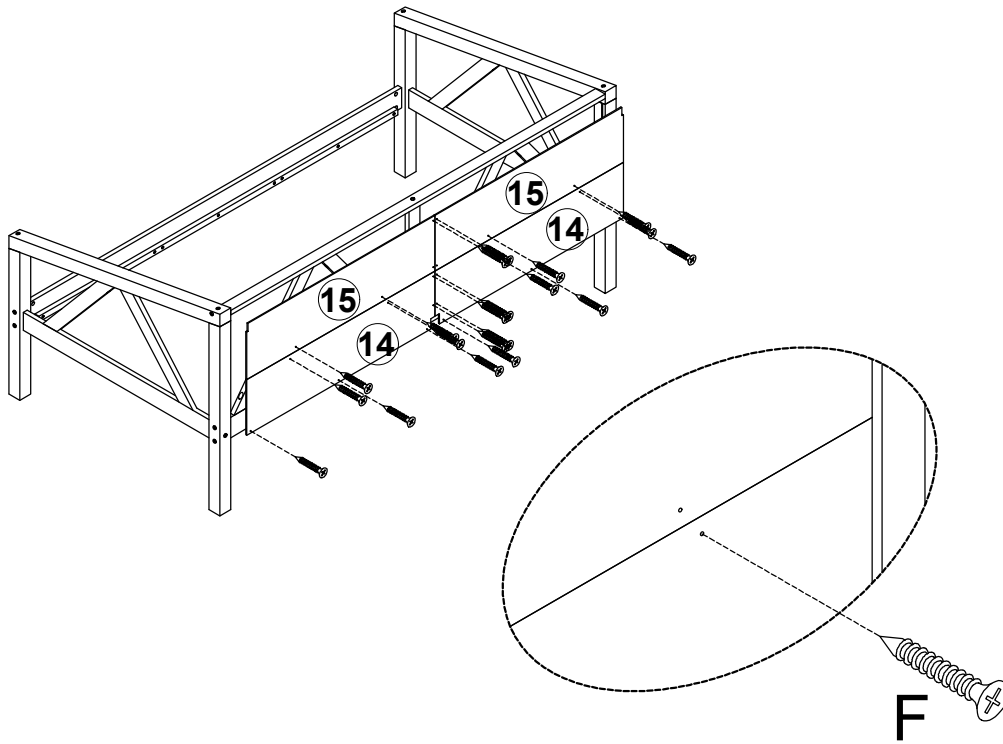



STEP 6:





A 	D 	C 
6PCS	8PCS	8PCS
B 		
2PCS		

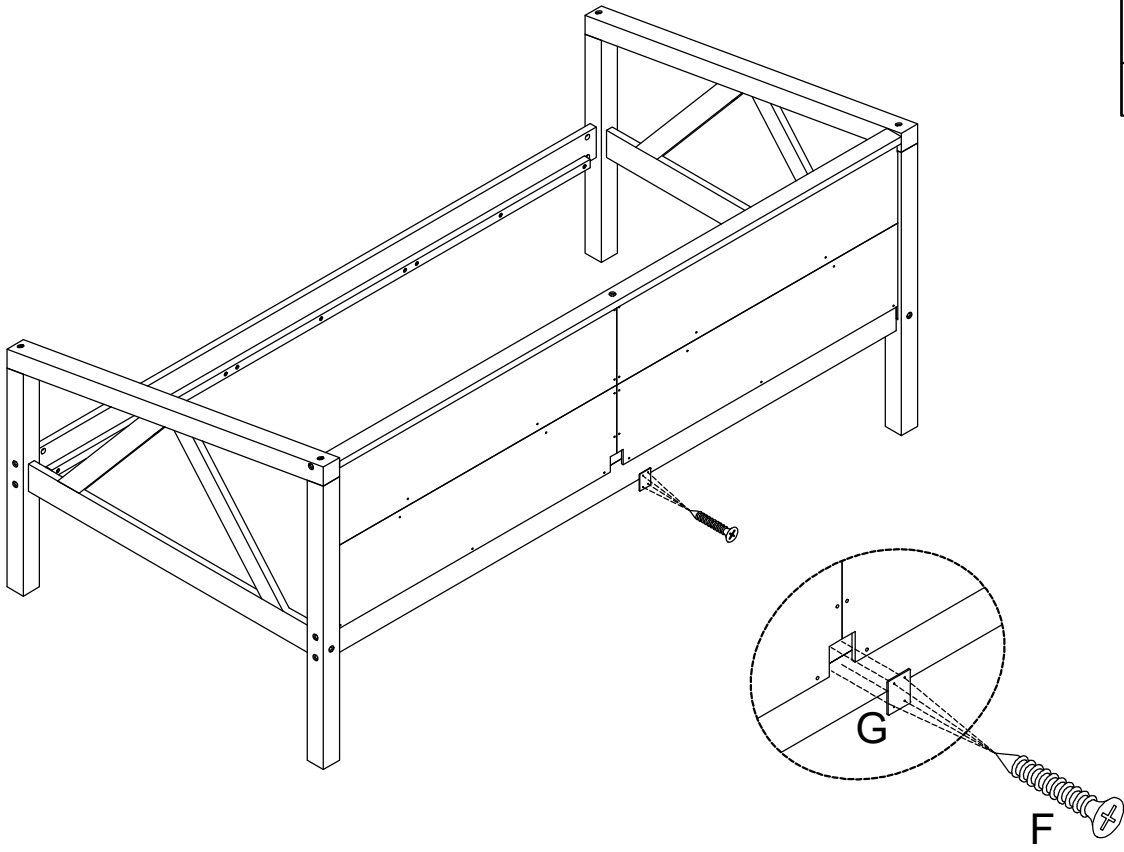
STEP 7




F 
20PCS

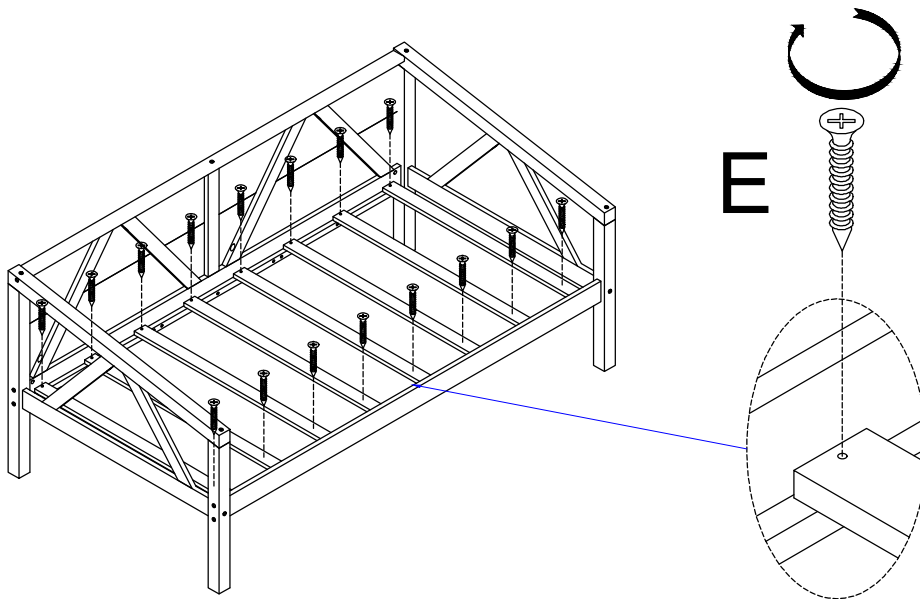
STEP 7:

G	F
	
1PC	4PCS



STEP 8

E

16PCS



COMPLETED

