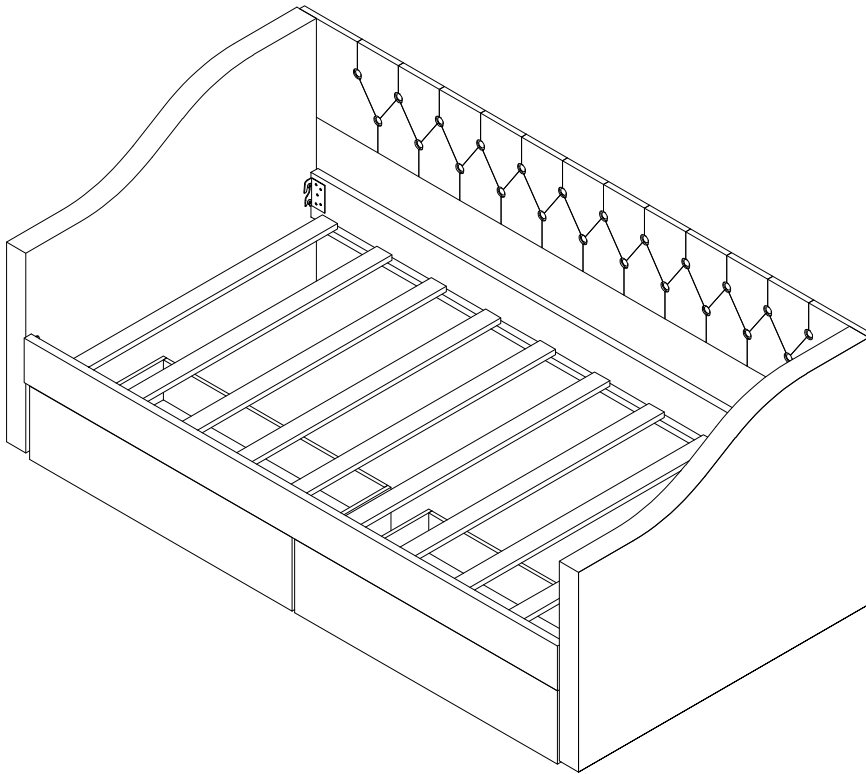


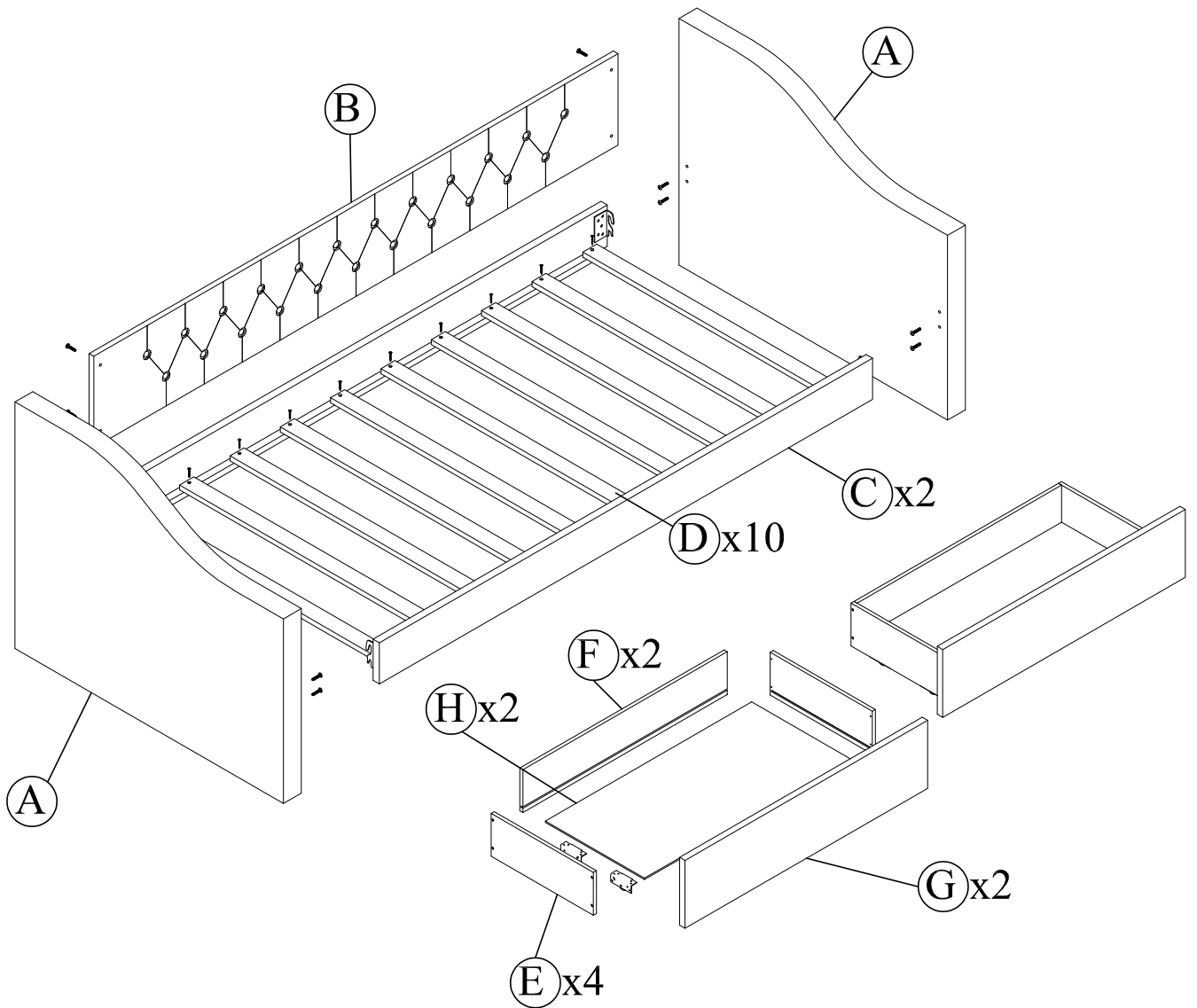
ASSEMBLY INSTRUCTION
SKU CODE: (WF289387AE-WF289388AE)



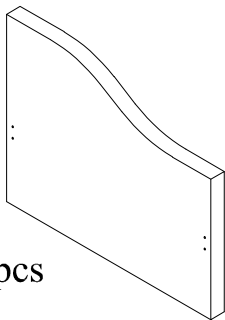
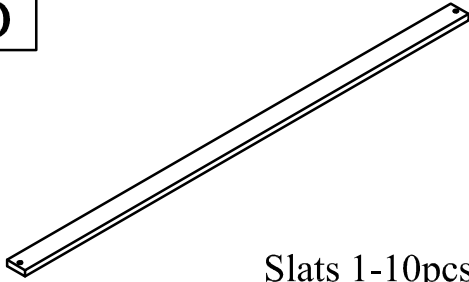
! SAFETY WARNINGS !

1. This bed is designed for use Full Mattress 76" Long and 54" Wide and at least 4" thickness
2. Always use the recommended size mattresses or mattress supports, or both, to help prevent the likelihood of entrapment or falls.
3. Do not allow horseplay on or under the bed and prohibit jumping on the bed
4. Do not use substitute parts. Contact the manufacturer or dealer for replacement parts.
5. Keep these instructions for future reference








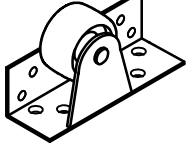

ASSEMBLY INSTRUCTION



Part List(WF289387AE)

<p>A</p>  <p>Sofa arm-2 pcs</p>	<p>D</p>  <p>Slats 1-10pcs</p>
---	---

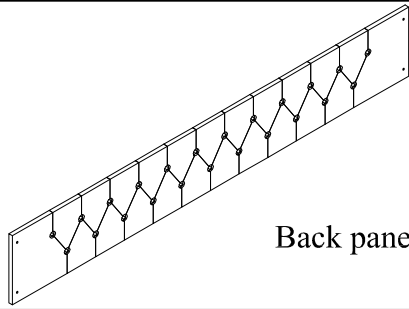
Hardware List(WF289387AE)

<p>1</p>  <p>Plastic Foot(Ø50x40) 4pcs</p>	<p>2</p>  <p>Ø1/4" x 40 mm Hex-Head bolts 4pcs</p>	<p>3</p>  <p>Ø1/4" x 25 mm Hex-Head bolts 8pcs</p>
<p>4</p>  <p>M4 x 15 mm Wood Screws 4 pcs</p>	<p>5</p>  <p>Plastic Drawer Holder 4 pcs</p>	<p>6</p>  <p>Allen Key 1pc</p>
<p>7</p>  <p>M4 x 30 mm Wood Screws 36pcs</p>	<p>8</p>  <p>Wheels 8pcs</p>	<p>9</p>  <p>M4 x 12 mm Wood Screws 16 pcs</p>

Assembly Tools Required (Not Included)  **Screwdriver**

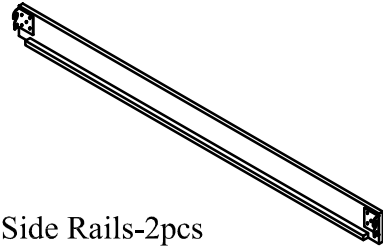
Part List(WF289388AE)

B



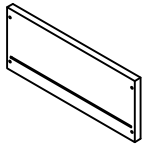
Back panel - 1 pc

C



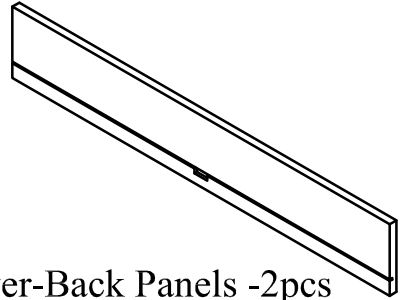
Side Rails-2pcs

E



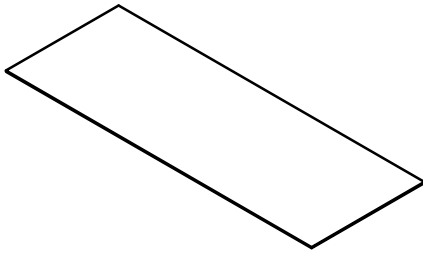
Drawer-Side Panels -4pcs

F



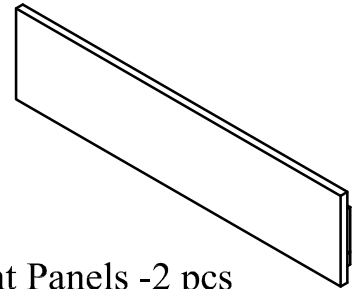
Drawer-Back Panels -2pcs

H



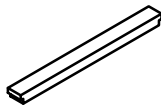
Drawer-Bottom Panels-2pcs

G



Drawer-Front Panels -2 pcs

K

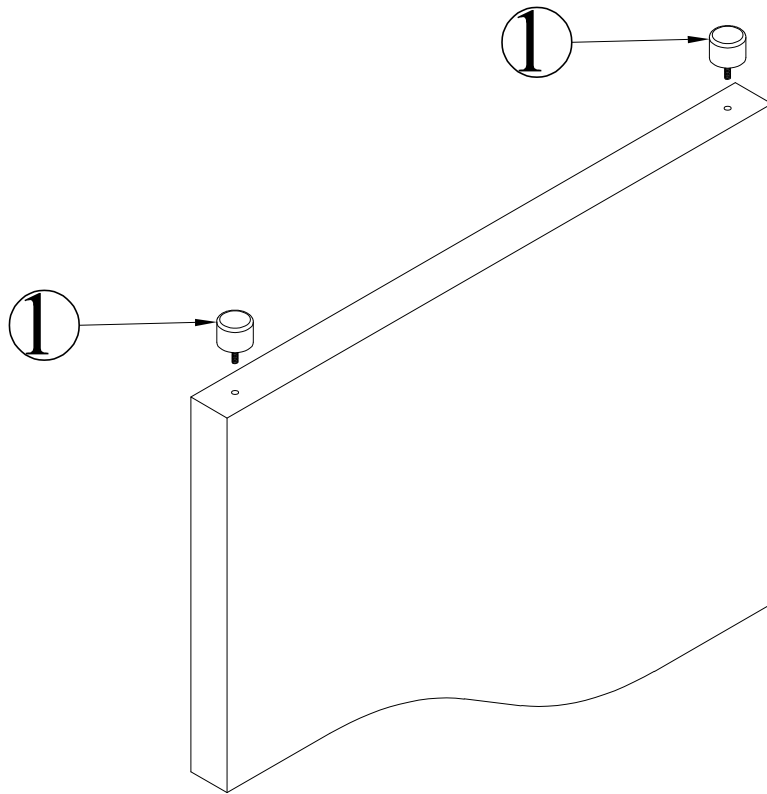


Drawer-Support Bottom-2pcs

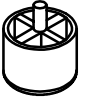
STEP 1:

Following below illustration:

Assembly Plastic Foot #1 With Footboard B to complete Footboard



1



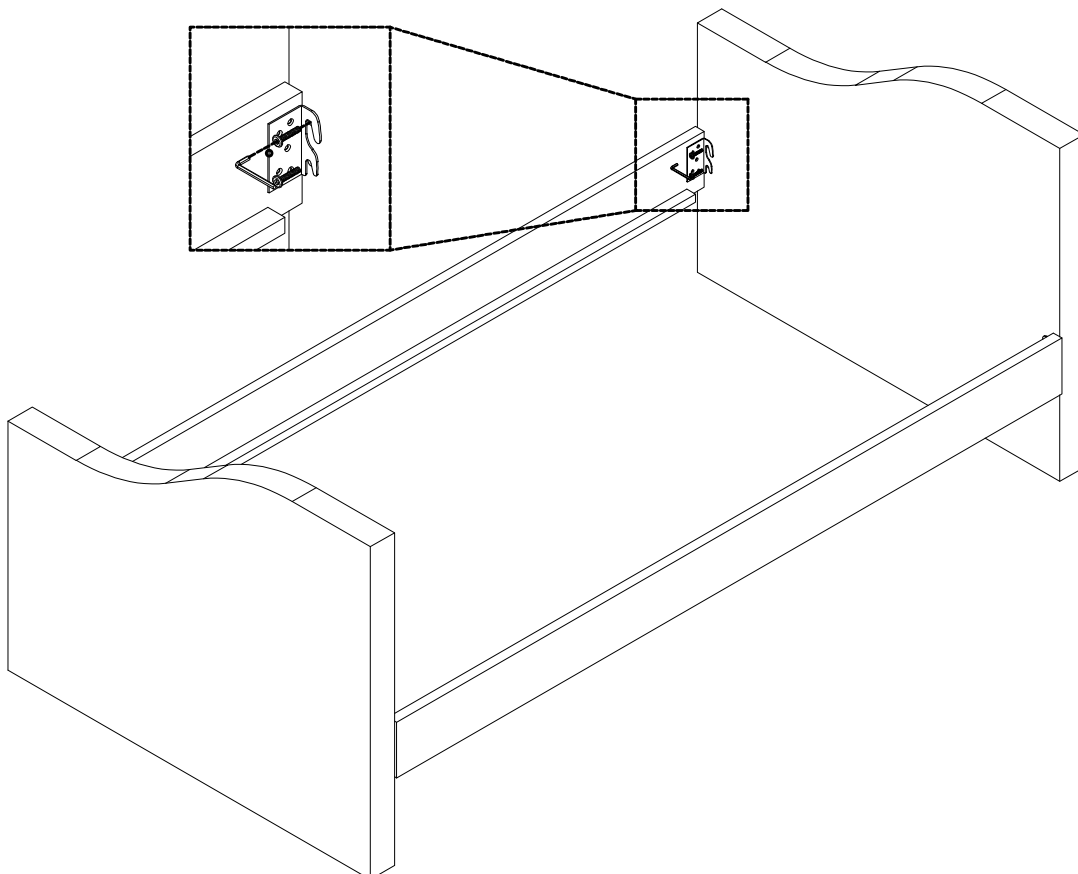
4pcs

STEP 2:

Following below illustration

-Using hardward #3 to Assembly Sofa arm left and right with side rail C(x2) .

-Look at detail view for more detail



3



8pcs

STEP 3:

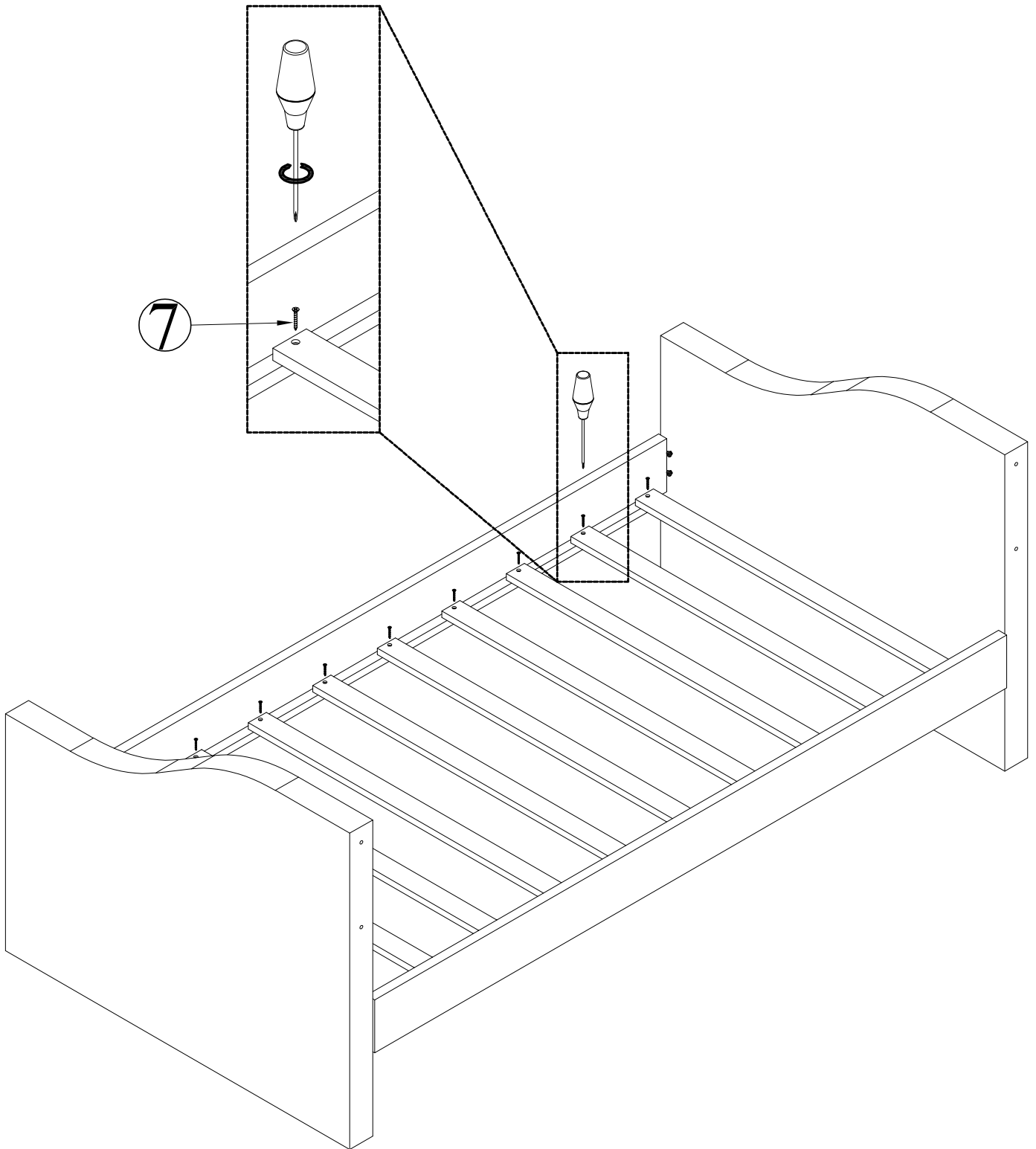
Following below illustration:

- Screw 10 slats D with Frame (completed on step 3) by using hardware #7.
- Look at detail view for more detail

7



20pcs



STEP 3:

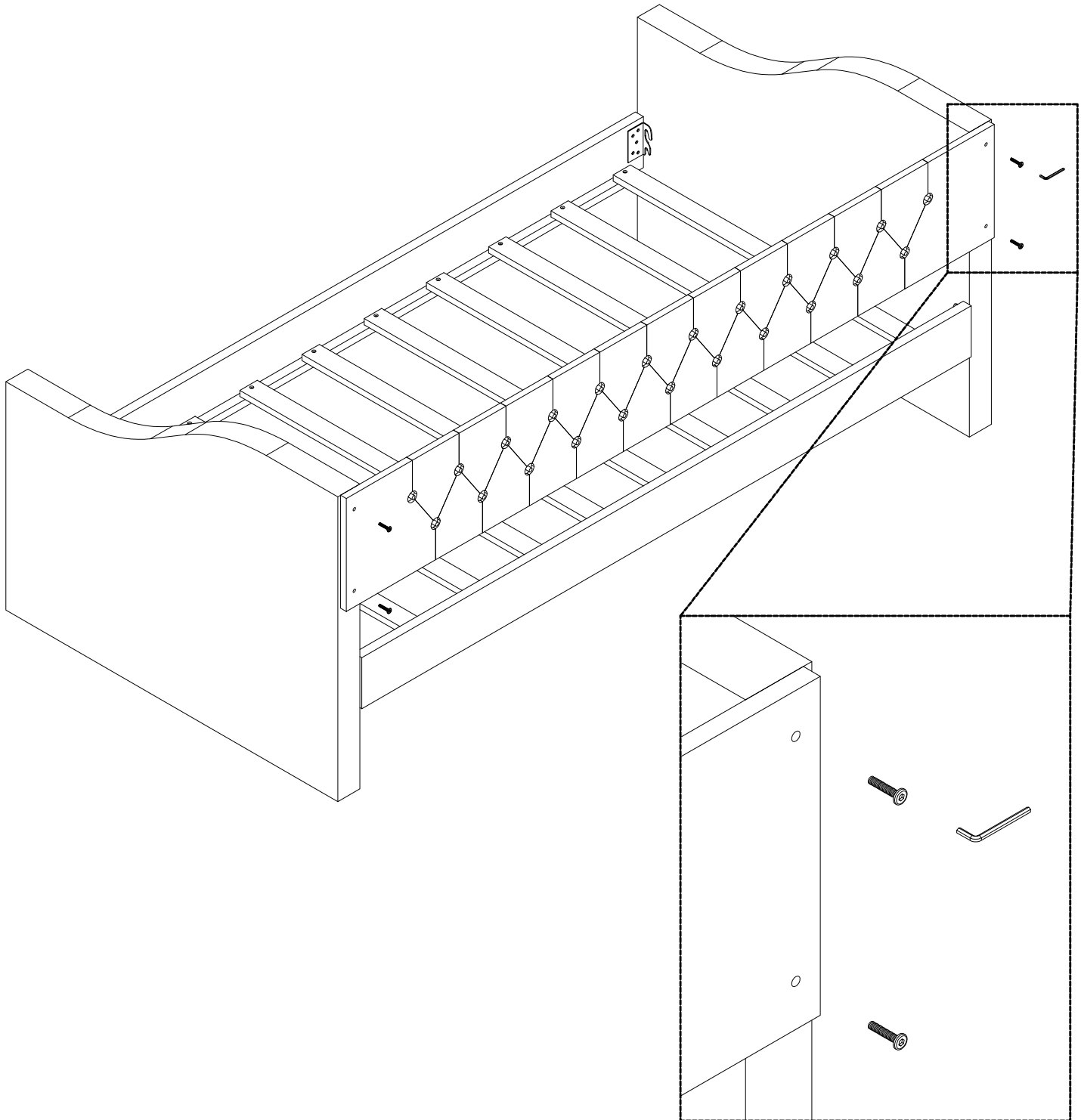
Following below illustration:

- Using hardware #2 and allen key #6 install back panel #B with Sofa arm #A
- Look at detail view for more detail


2

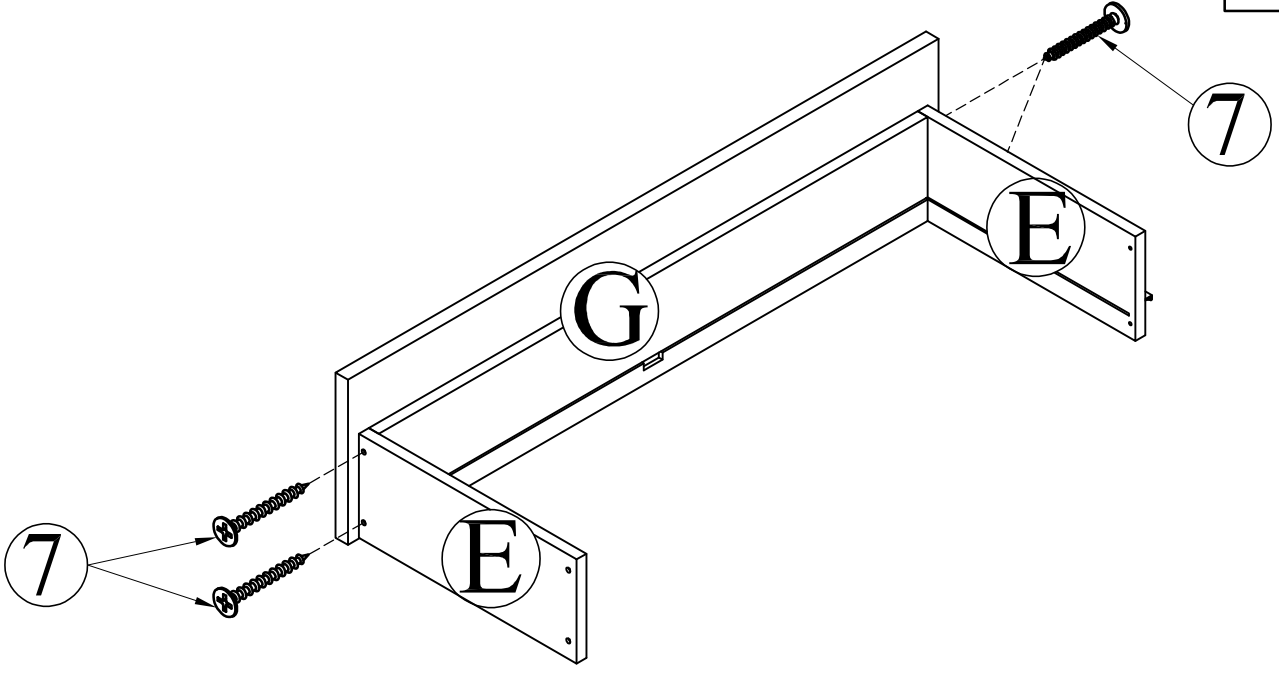


4pcs

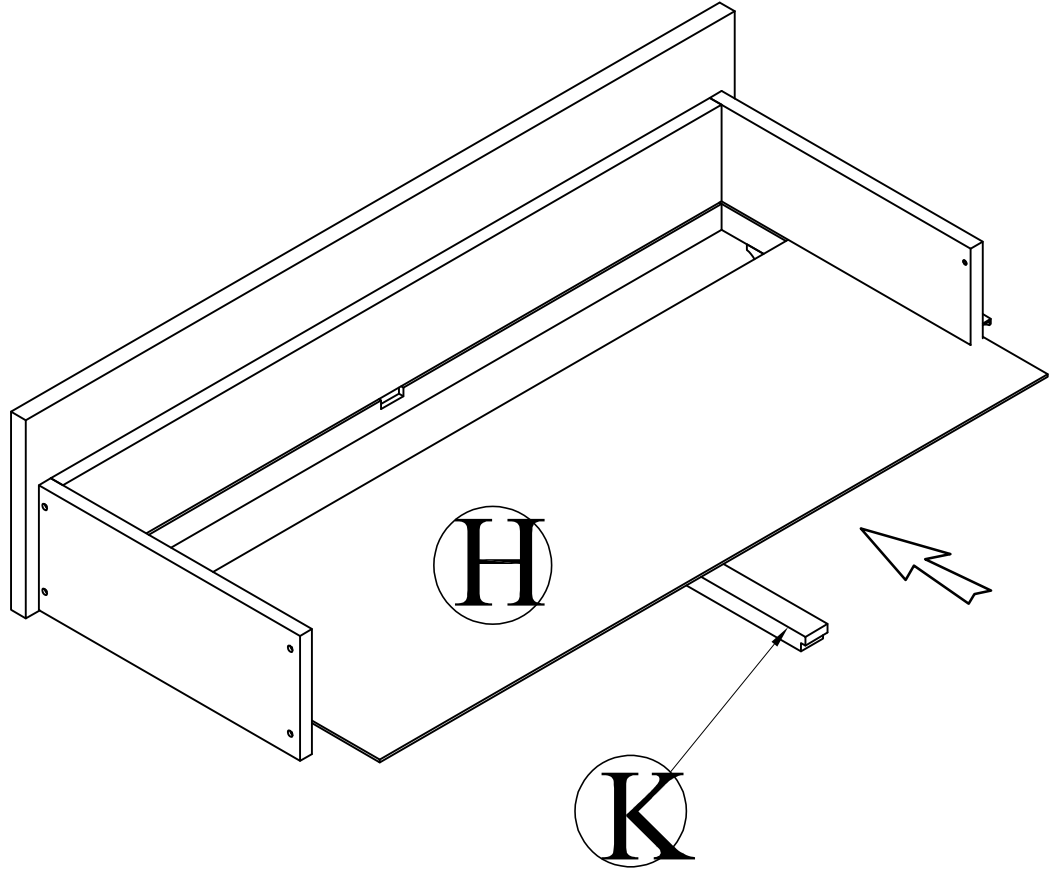


STEP 4-1:

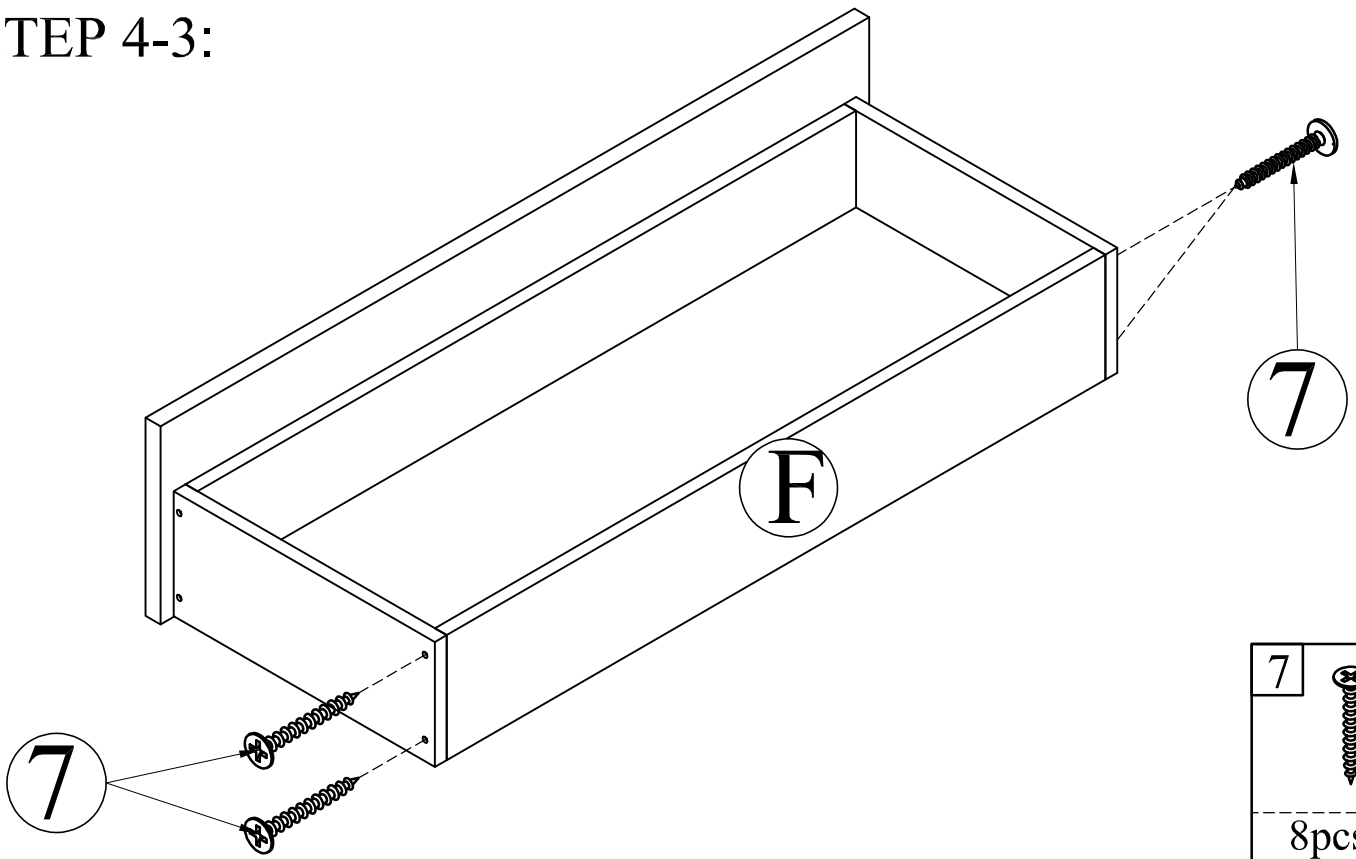
7	
8pcs	

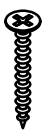


STEP 4-2:

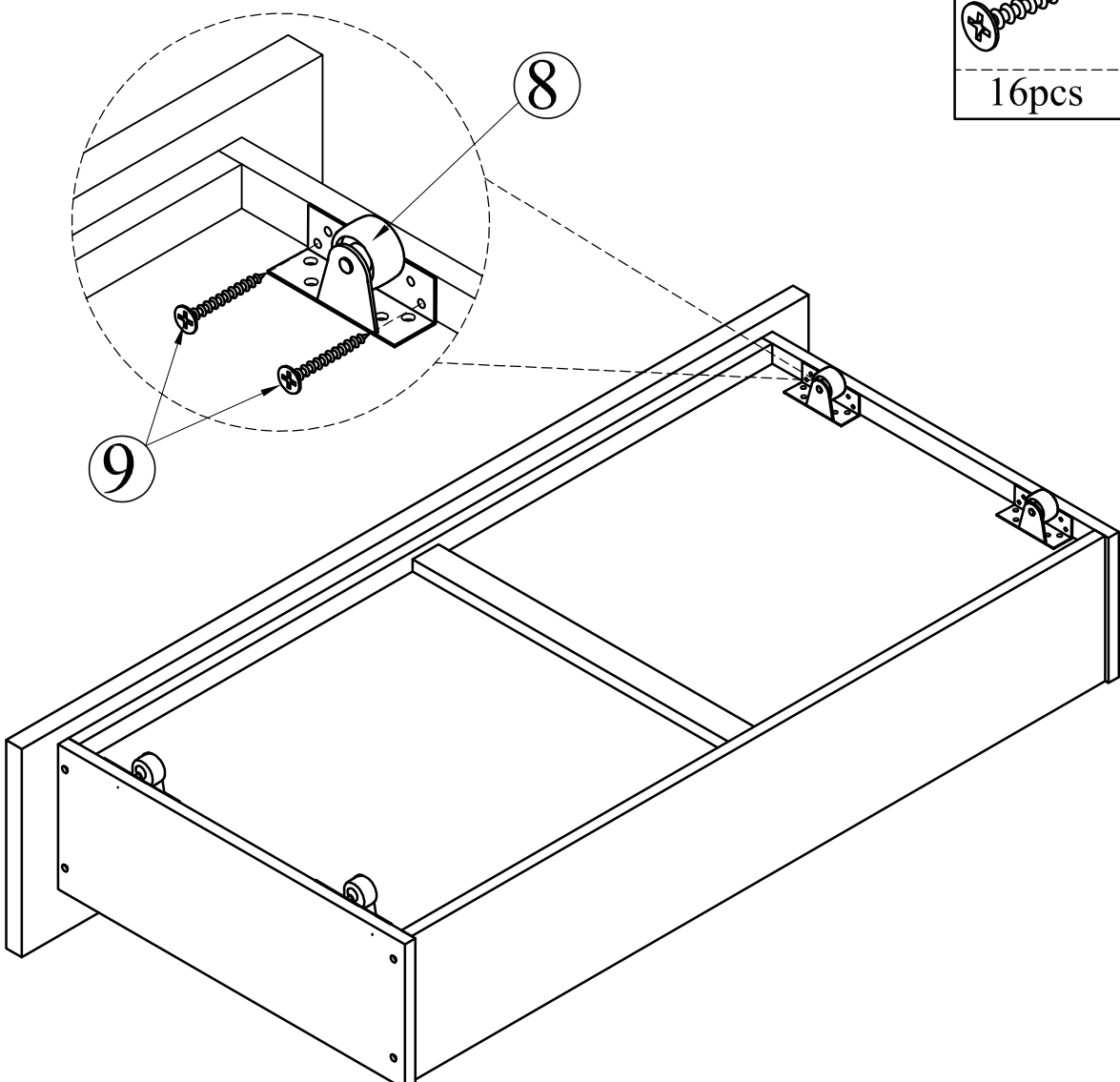


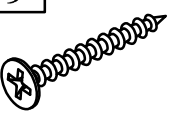
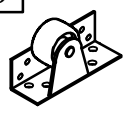
STEP 4-3:



7	
8pcs	

STEP 4-4:

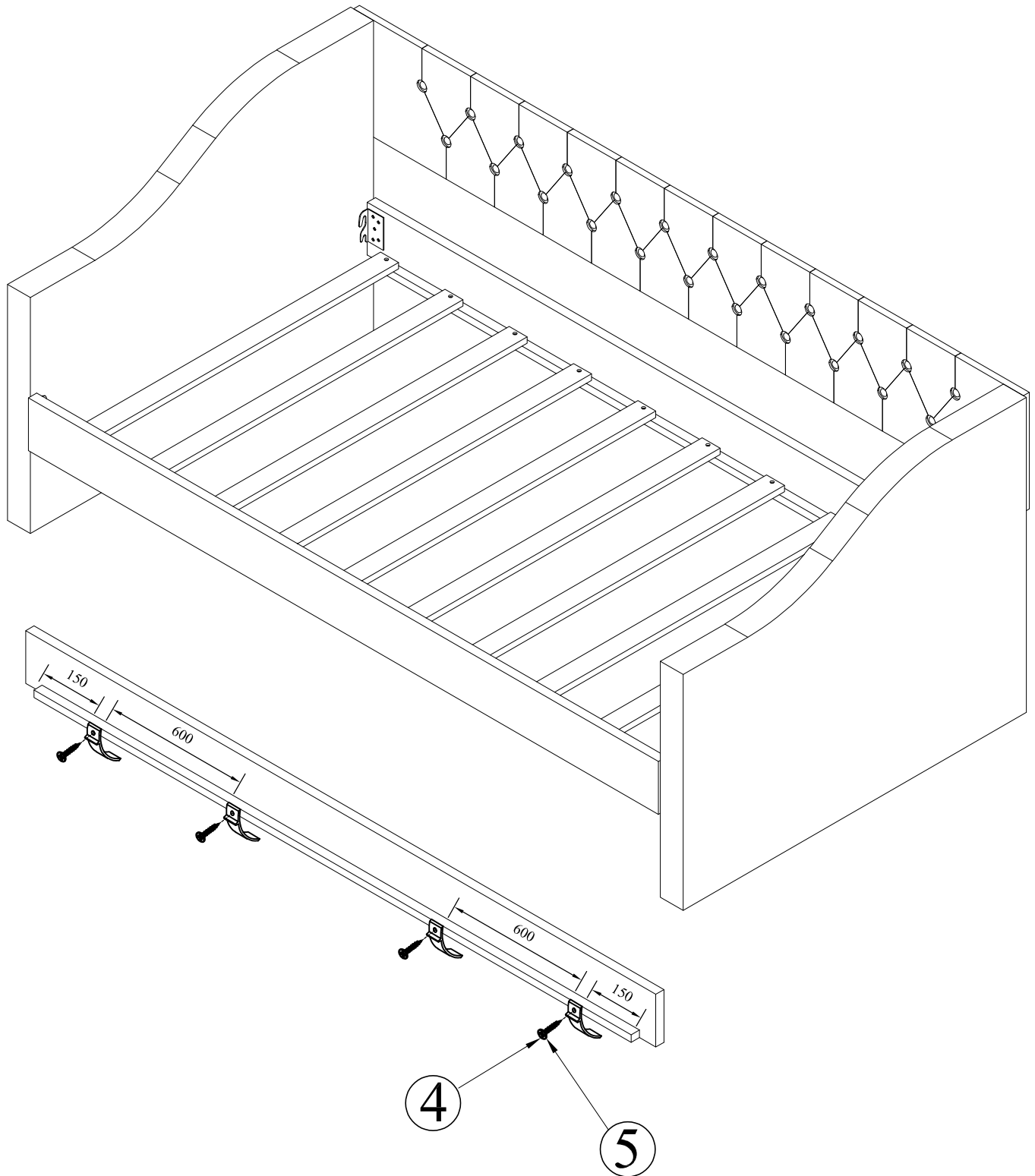


9		8	
16pcs		8pcs	

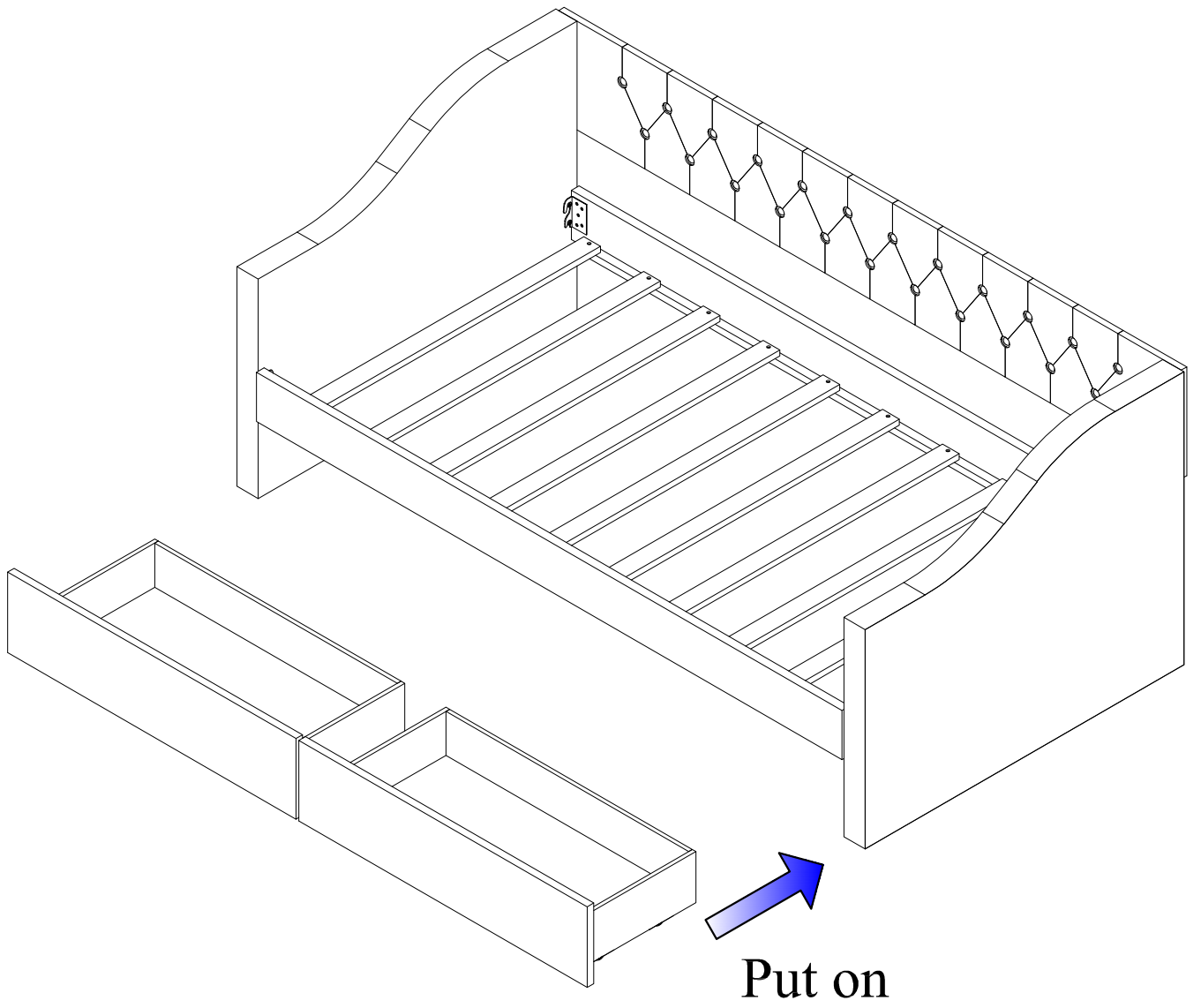
STEP 5: Following below illustration

-Using hardware #4 to Assembly Drawer Holder #5 with Side rails

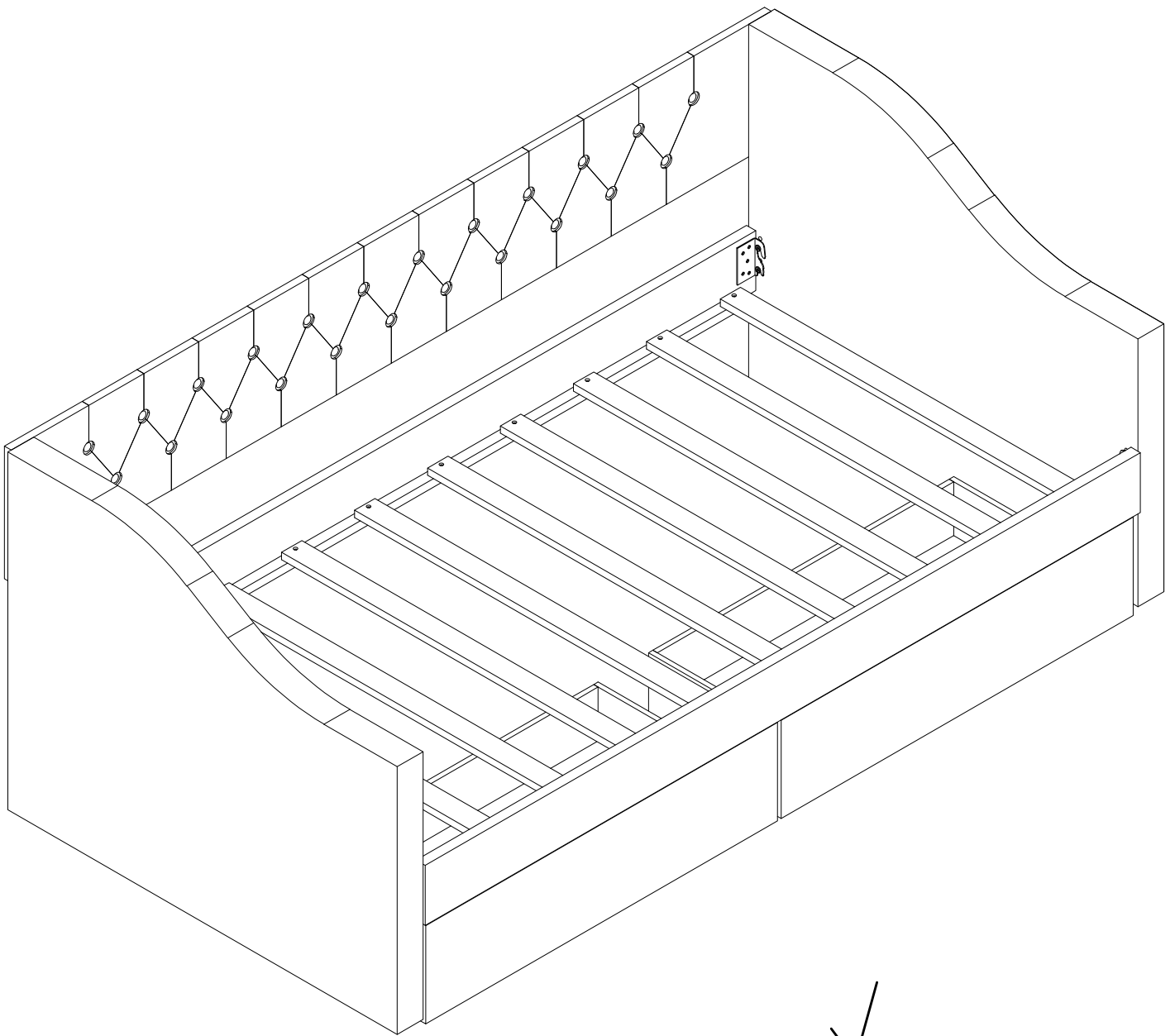
-Look at detail view for more detail



STEP 6



ASSEMBLY INSTRUCTION



Finished