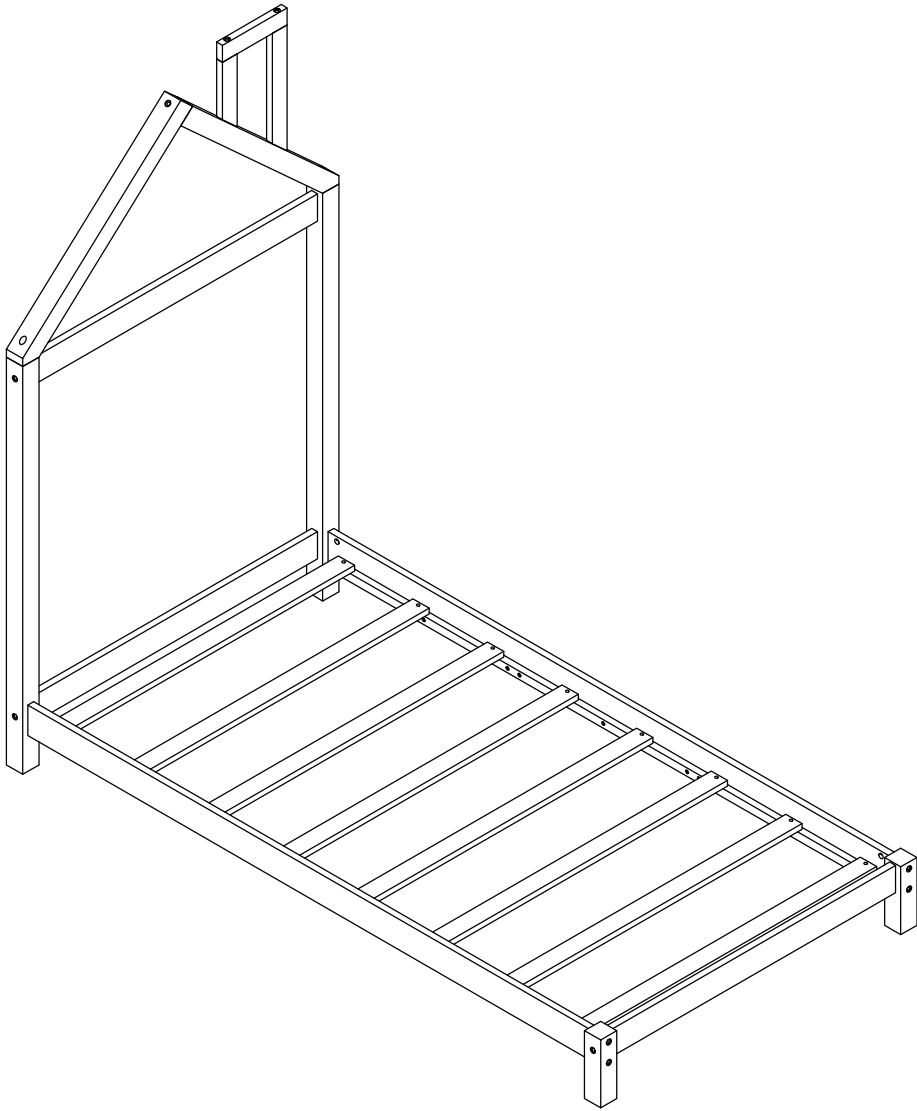


ASSEMBLY INSTRUCTIONS

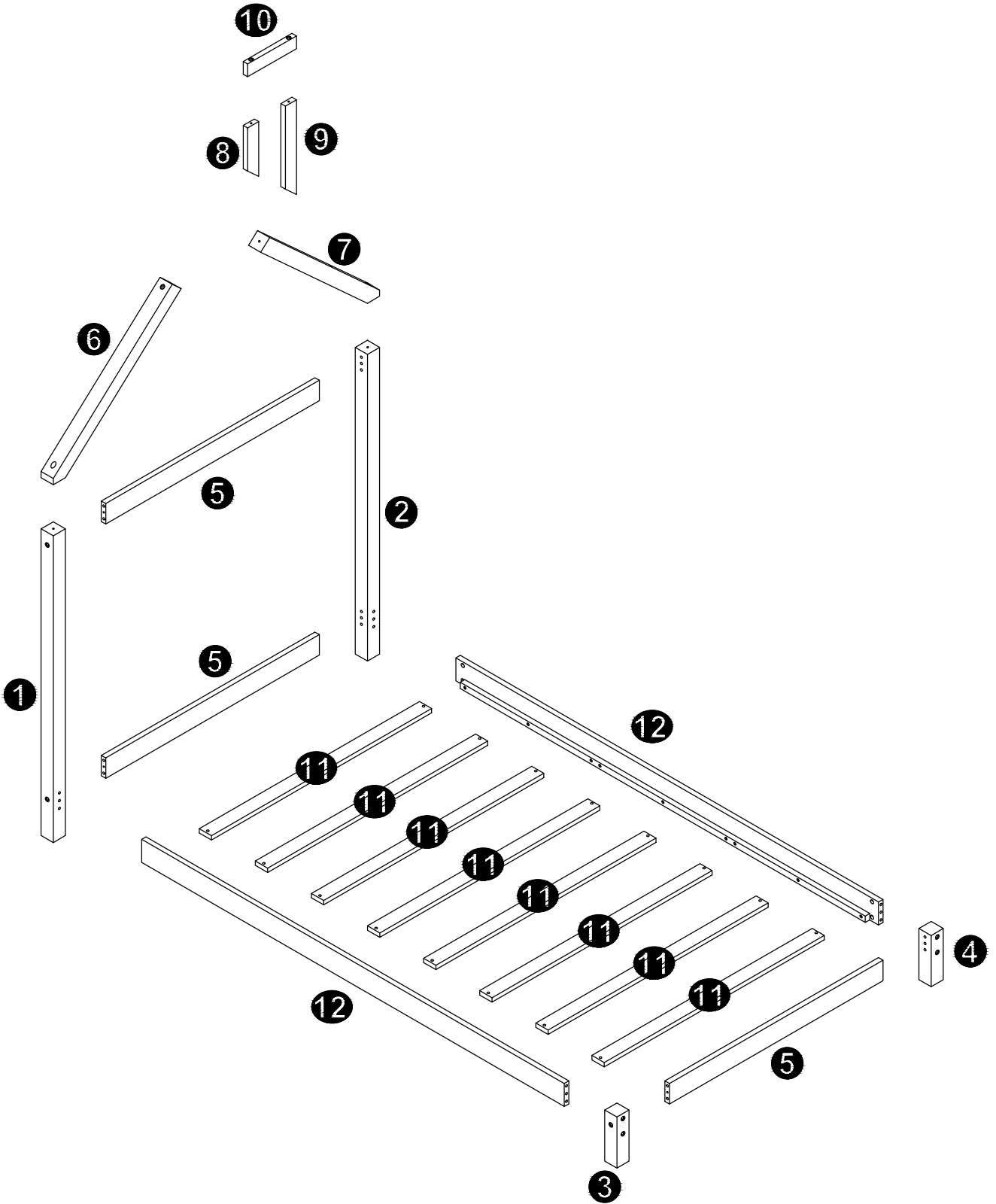
TWIN SIZE DAY BED 1



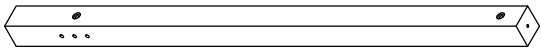
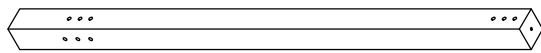


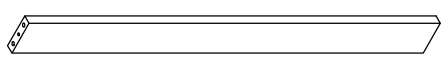
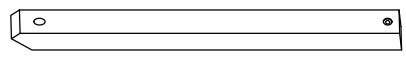

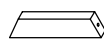
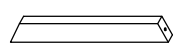
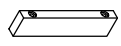
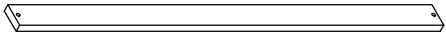

This set is included 1 boxes if don't receive full 1 boxes please contact our customer service team.

WF282820

Detail View




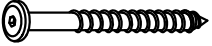





Part List(WF282820)



<p>1</p>  <p>Left hind leg- 1pc</p>	<p>2</p>  <p>Right hind leg- 1pc</p>
<p>3</p>  <p>Left front foot- 1pc</p>	<p>4</p>  <p>Right front foot-1pc</p>
<p>5</p>  <p>Hip bar-3pcs</p>	<p>6</p>  <p>The roof is slanted to the left-1pc</p>
<p>7</p>  <p>The roof is slanted to the right-1pc</p>	<p>8</p>  <p>Left decoration puzzle-1pc</p>
<p>9</p>  <p>Right decoration puzzle- 1pc</p>	<p>10</p>  <p>Top horizontal decoration puzzle- 1pc</p>
<p>11</p>  <p>Slat- 8pcs</p>	<p>12</p>  <p>Bed shoulder- 2pcs</p>

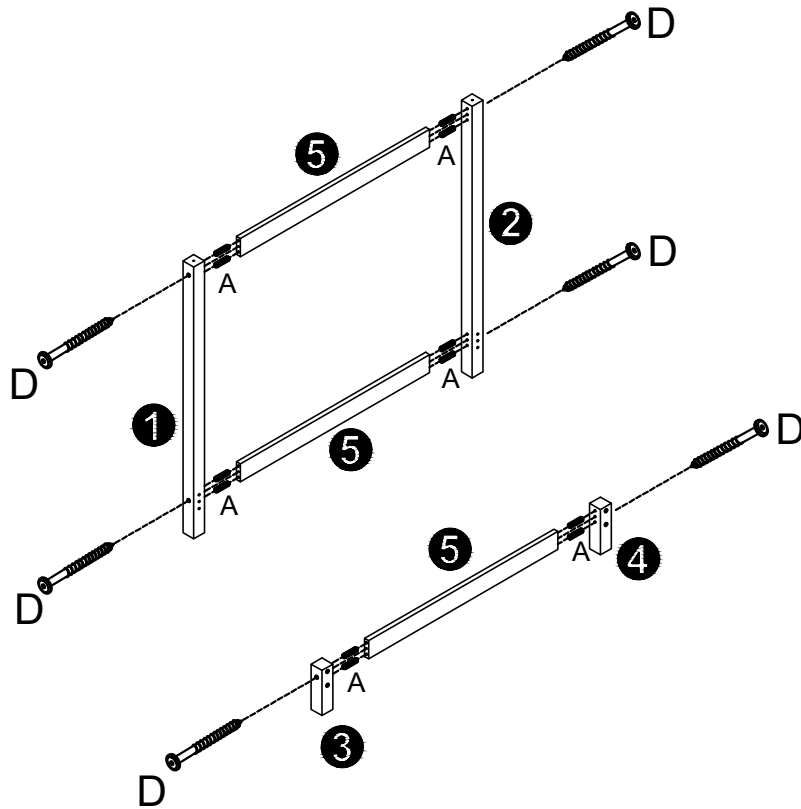
Part List(WF282820)

Hardware List




A  Ø8*30mm	B  Ø1/4"*100mm	C  Ø1/4"
Wood dowel (16pcs)	Hex-Head bolt (8pcs)	Horizontal-Hole bolt (8pcs)
D  Ø6*100mm	E  #4*30mm	F  Ø6*80mm
Hex-Head screw (6pcs)	Screw (16pcs)	Hex-Head screw (7pcs)
G  K4mm		
Allen key (1pc)		

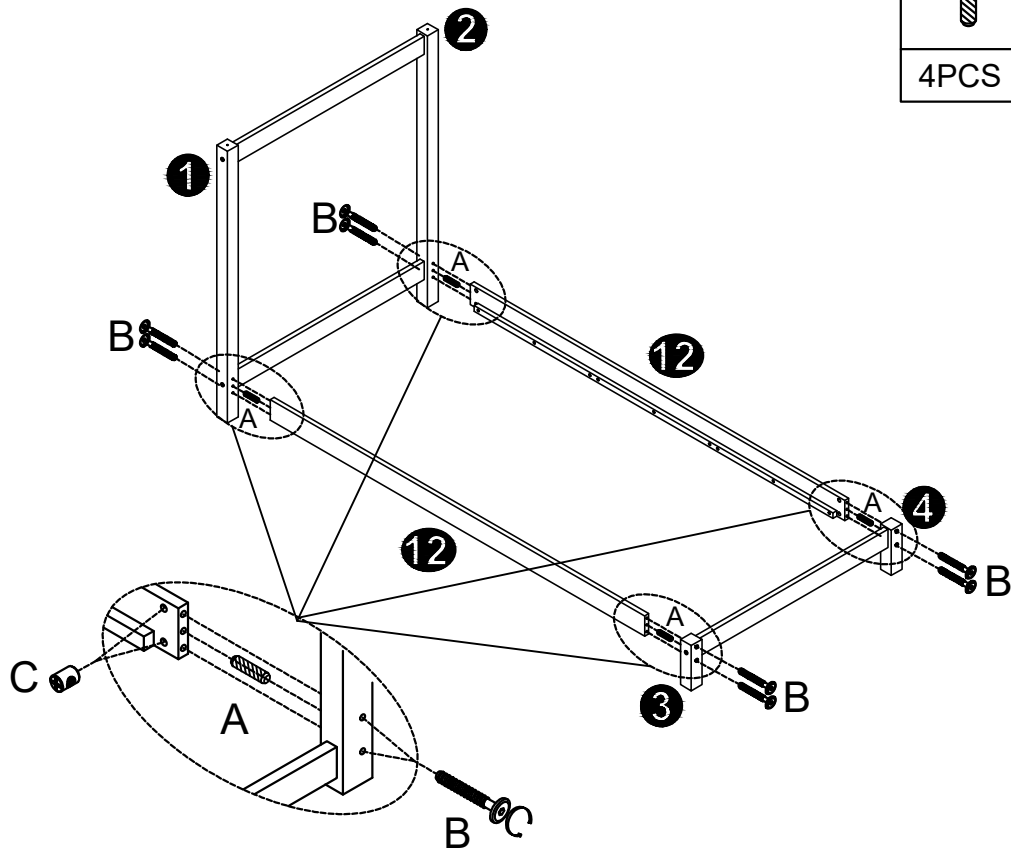
STEP 1

A	D
	
12PCS	6PCS




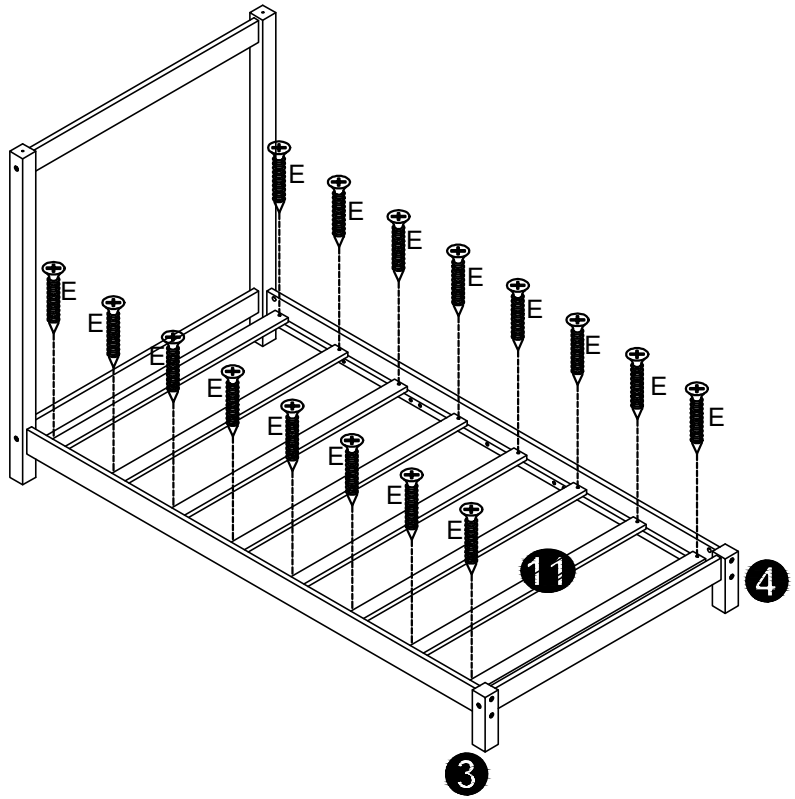
STEP 2:

A	B	C
		
4PCS	8PCS	8PCS




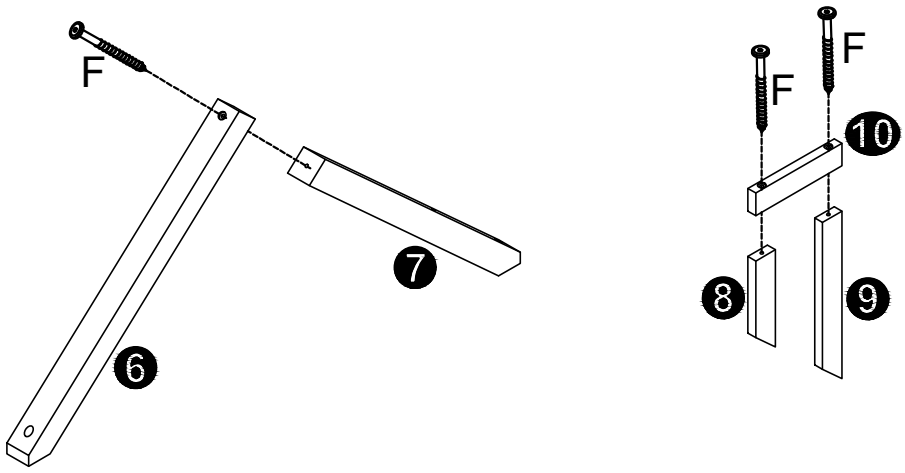
STEP 3:

E	
16PCS	




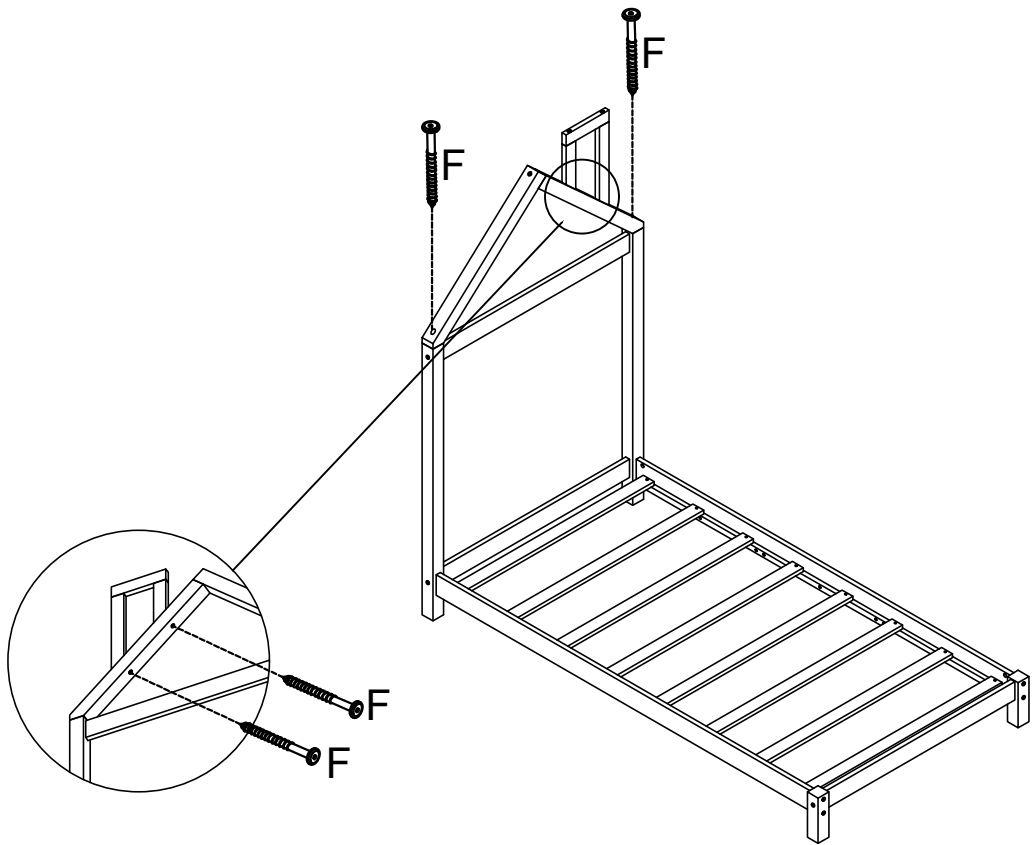
STEP 4

F	
3PCS	



STEP 5

F	
4PCS	



COMPLETED

