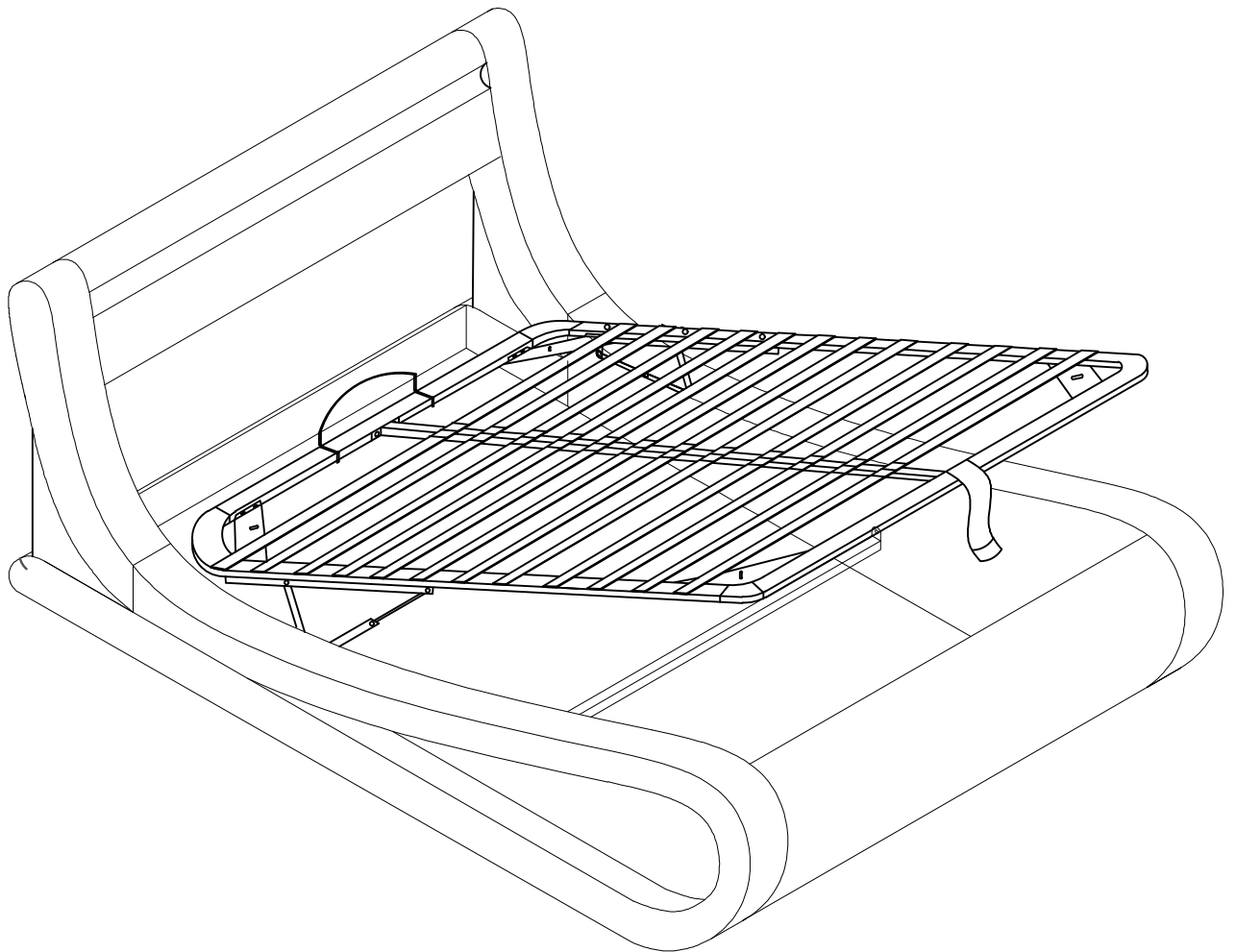
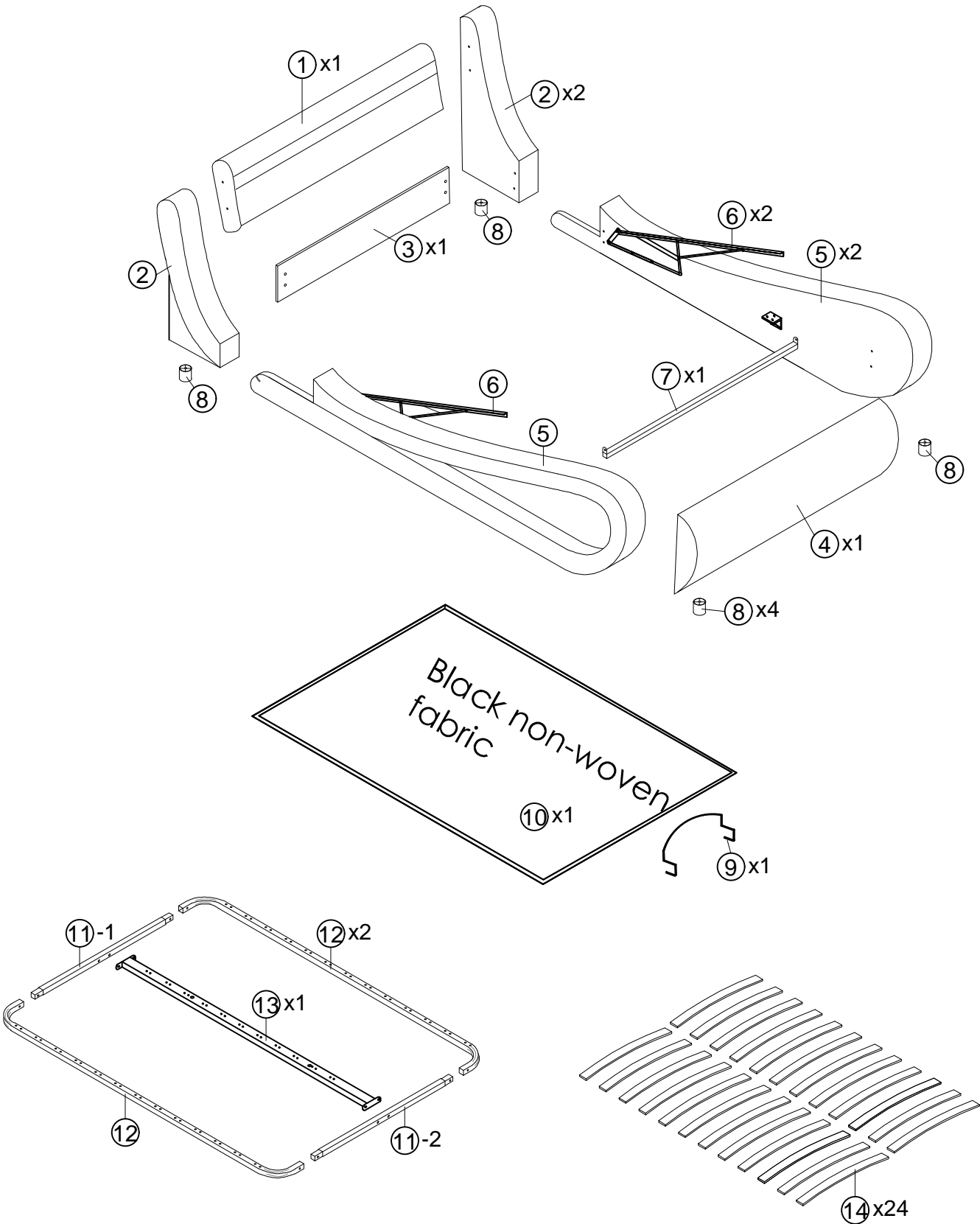


ASSEMBLY INSTRUCTION

SKU:WF289445+WF289446

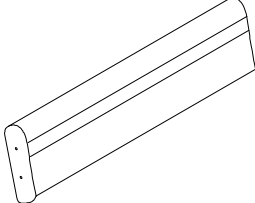
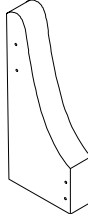
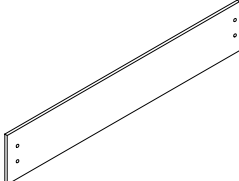
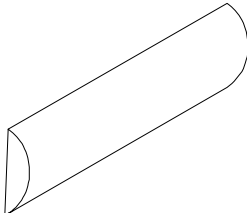
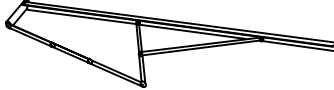
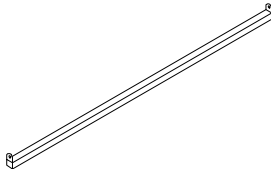
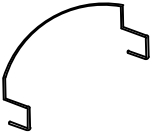
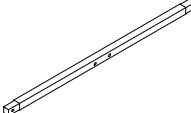
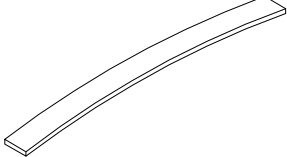


Detail View

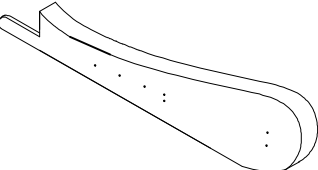
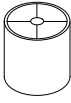
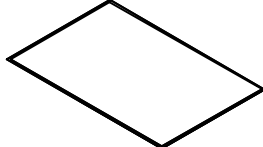
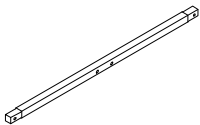
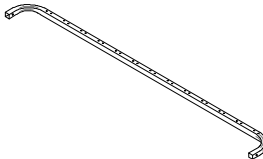
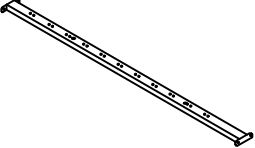


Part List





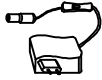


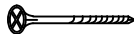
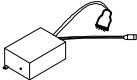
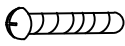

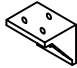







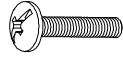


WF289445

1  Head board-1pc	2  Side head board-2pcs	3  Under board-1pc
4  Foot board-1pc	6  Gas lift-2pcs	7  Cross bar-1pc
9  Stopper-1pc	11 -1  Metal frame cross bar-1pc	14  Slat-24pcs

Hardware List+WF289446

5  Side rails-2pcs	8  Legs-4pcs	10  Black non-woven fabric-1pc
11 -2  Metal frame cross bar-1pc	12  Metal frame side bar-2pcs	13  Metal frame middle bar-1pc

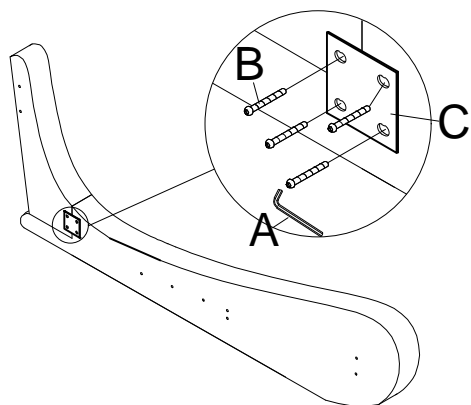
Hardware List




A  20*70mm	B  Ø8*25mm	C  2*100*100mm
Allen Key(1PC)	Bolts(24PCS)	Connecting square iron(2pcs)
D  80*35*35mm	E  Adapter(1pc)	F  Ø8*45mm
"7"Connector(4pcs)	Adapter(1pc)	Bolts(14PCS)
G  Ø22	H  Ø4*50mm	I  Color controller(1pc)
Washer(12pcs)	Nails(4pcs)	Color controller(1pc)
J  Ø6*30mm	K  Ø4*25mm	L  43*33mm
Bolts(10pcs)	Nails(12pcs)	Poly support(4pcs)
M  40*340mm	N  Ø12mm	O  Ø15mm
Pull tab(1pc)	Nuts(2pcs)	Nuts(8pcs)
P  70*23mm	Q  25*25*180mm	R  55*52*11mm
Spanner(1pc)	Middle legs(2pcs)	Middle slats cap(12pcs)
S  55*27*11mm	T  Ø6*45mm	U  Ø22
End slats cap(24pcs)	Bolts(6pcs)	Washer(6pcs)
V  Ø12mm Nuts(6pcs)		

Attention: Do not tighten the screws before completing the entire installation. If you have any difficulty with the installation process, please feel free to contact us.

Step 1 x2

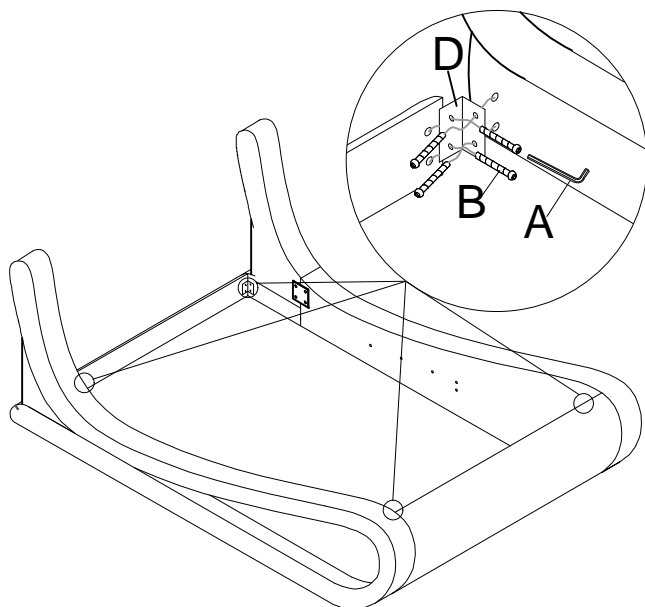
Fix the Side head board ② to the Siderails ⑤ with Bolts B and Connecting square iron C by using Allen key A.



A Allen Key x1 	B Bolts x 8 M8X25mm 	C Connecting square iron x 2 
---	---	---

Step 2

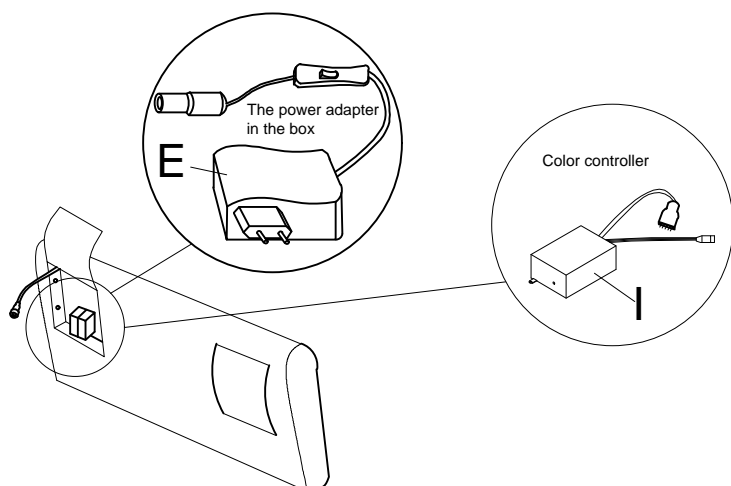
Fix the Side head board ② to the Under board ③ with Bolts B and "7" Connector D by using Allen key A.





B Bolts x 16 M8X25mm 	D "7"Connector x 4 	Allen Key 
--	---	--

Step 3

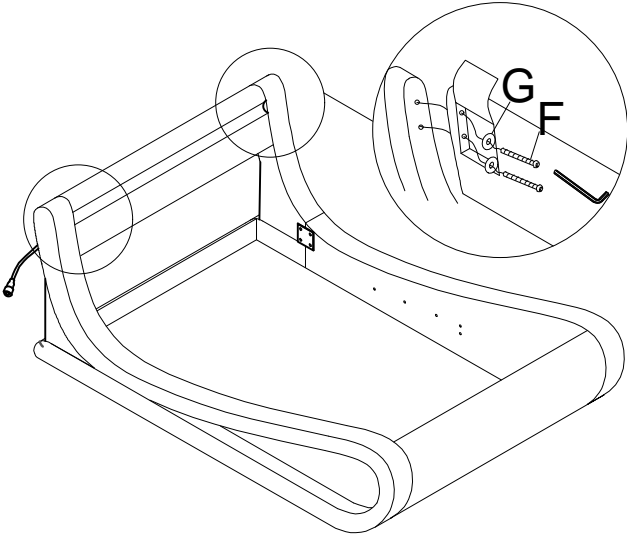
Take out the Power adapter E and Color controller I from the boxes.






E Adapter x 1 	I Color controller x 1 
--	---

Step 4

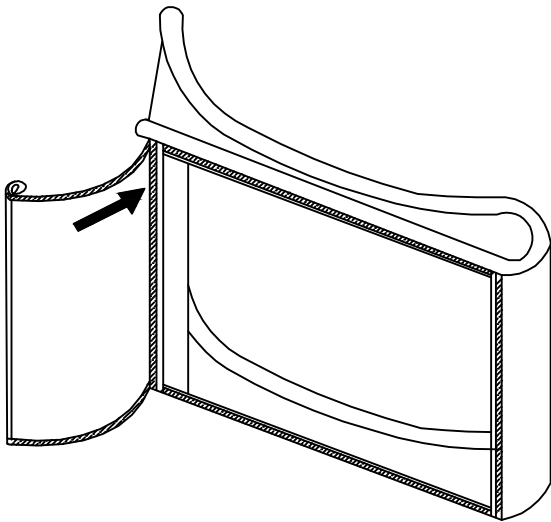
Fix the Head board ① to the Side head board ② with Bolts F and Washer G by using Allen key A.



F Bolts x 4  M8X45mm	G Washer x 4 	Allen Key 
---	---	--

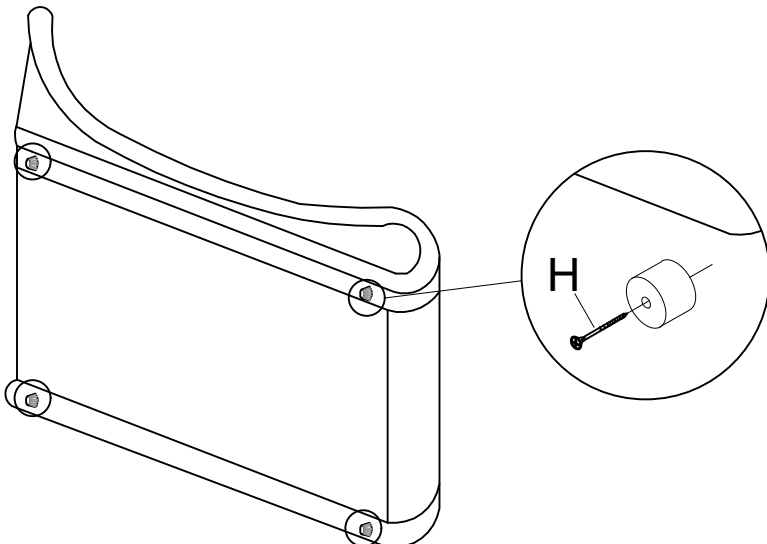
Step 5



Stick the Black non-woven fabric ⑧ to the bottom of bed.



Step 6

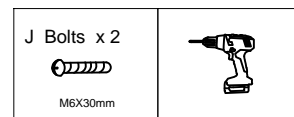
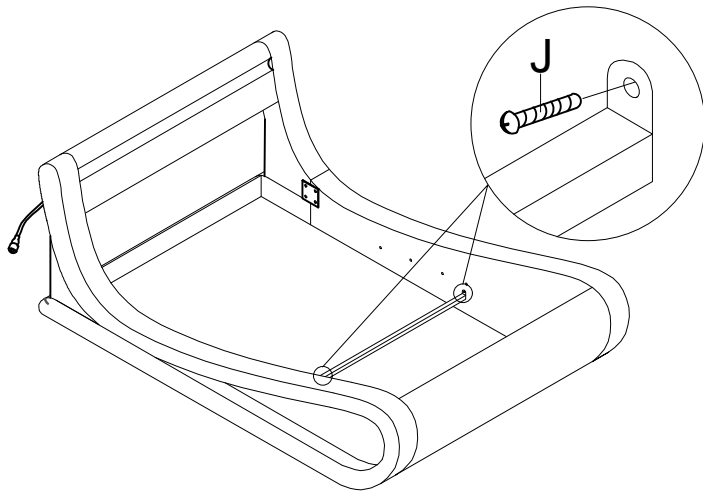
Fix the legs ⑩ with Nails H by using Electric drill or Screw driller.



H Nails x 4  M4X50mm	
---	---

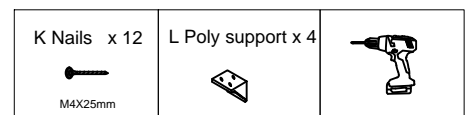
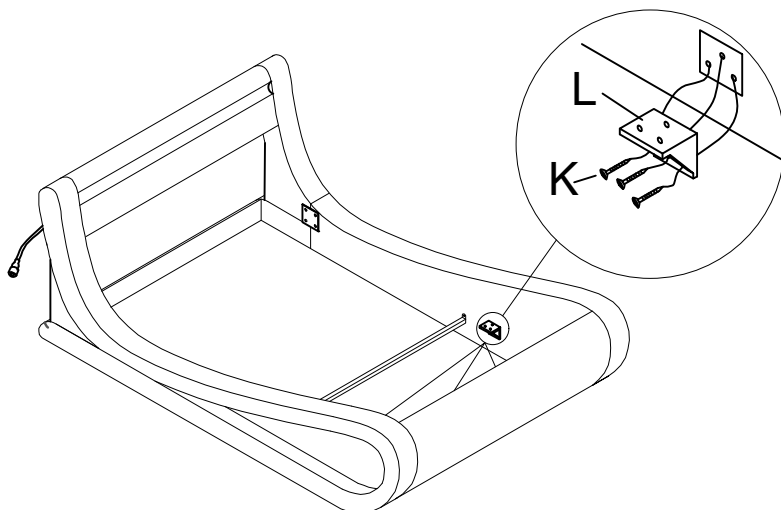
Step 7

Fix the Cross bar ⑦ to the Siderails ⑤ with Bolts J by using Electric drill or Screw driver.



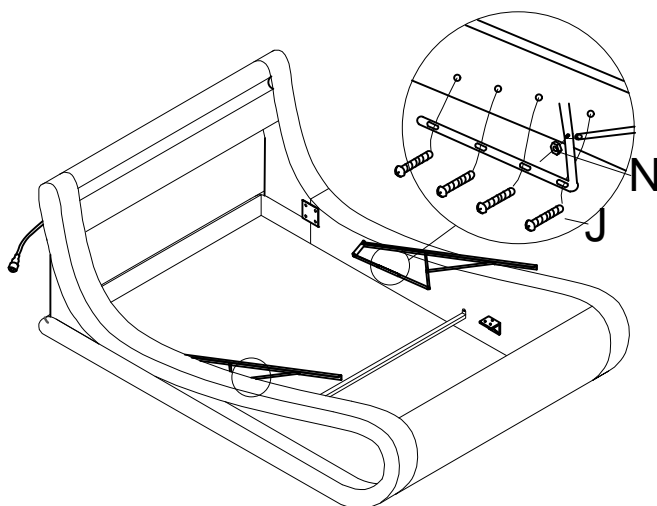
Step 8

Fix the Poly support L to the Siderails ⑤ and Foot board ④ with Nails K by using Electric drill or Screw driver.



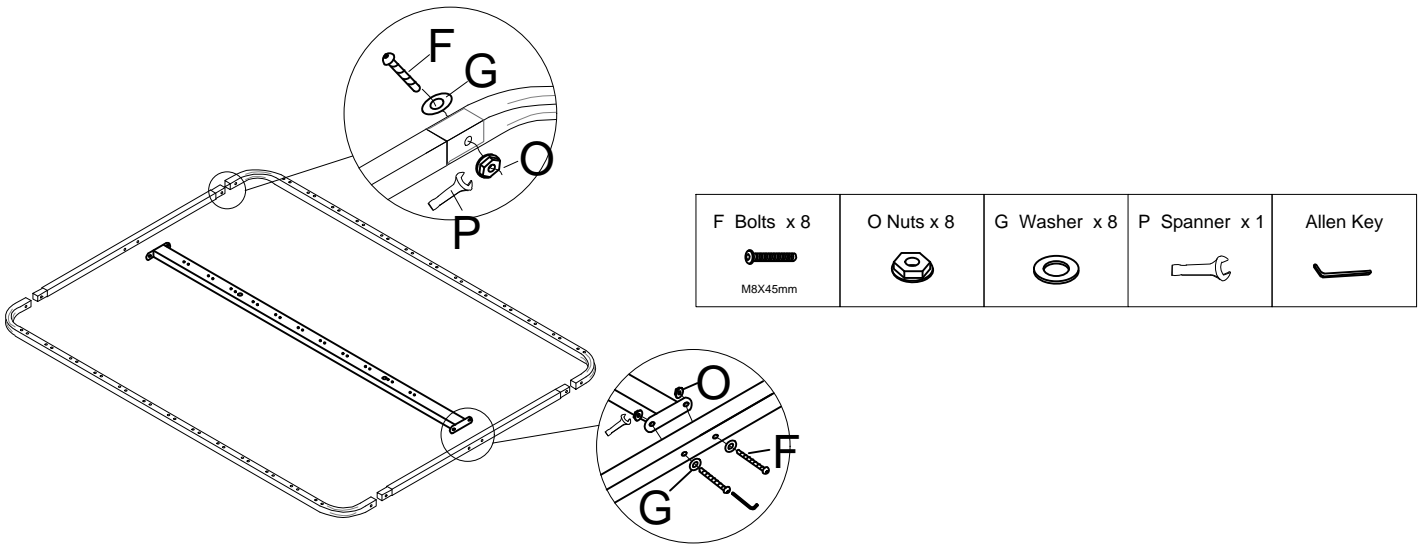
Step 9

Fix the Gas lift ⑥ to the Siderails ⑤ with Bolts J by using Electric drill. Fix the Gas bar to the Gas lift ⑥ with Nuts N.



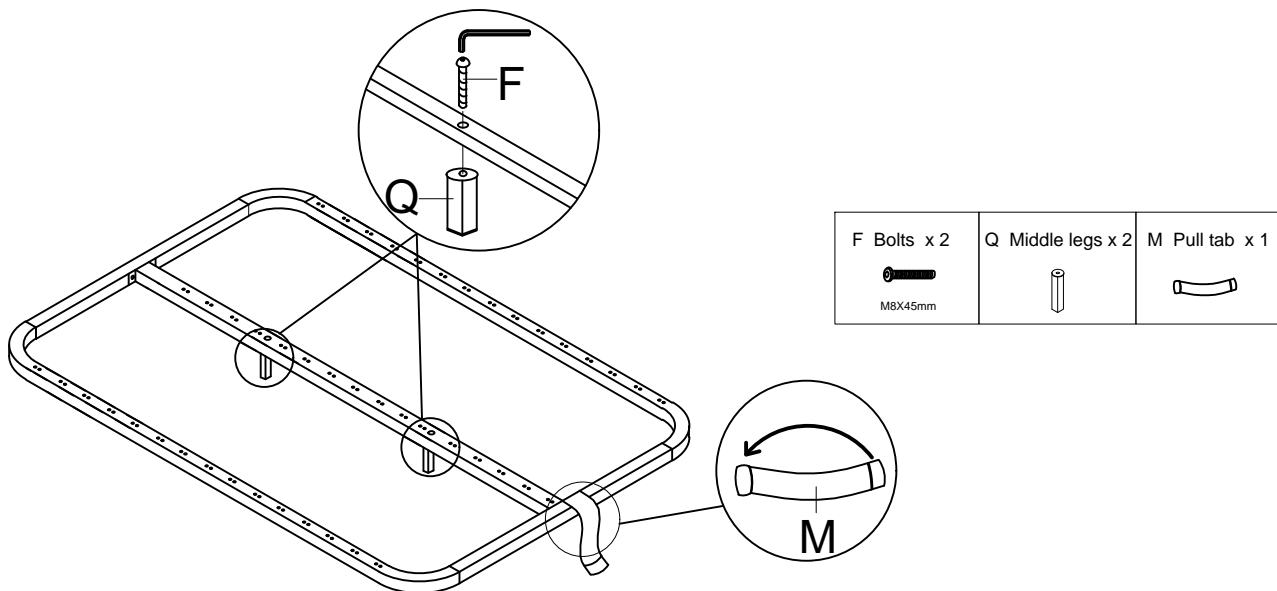
Step 10

Assemble the slat frame with Bolts F, Washer G and Nuts O by using Spanner P.



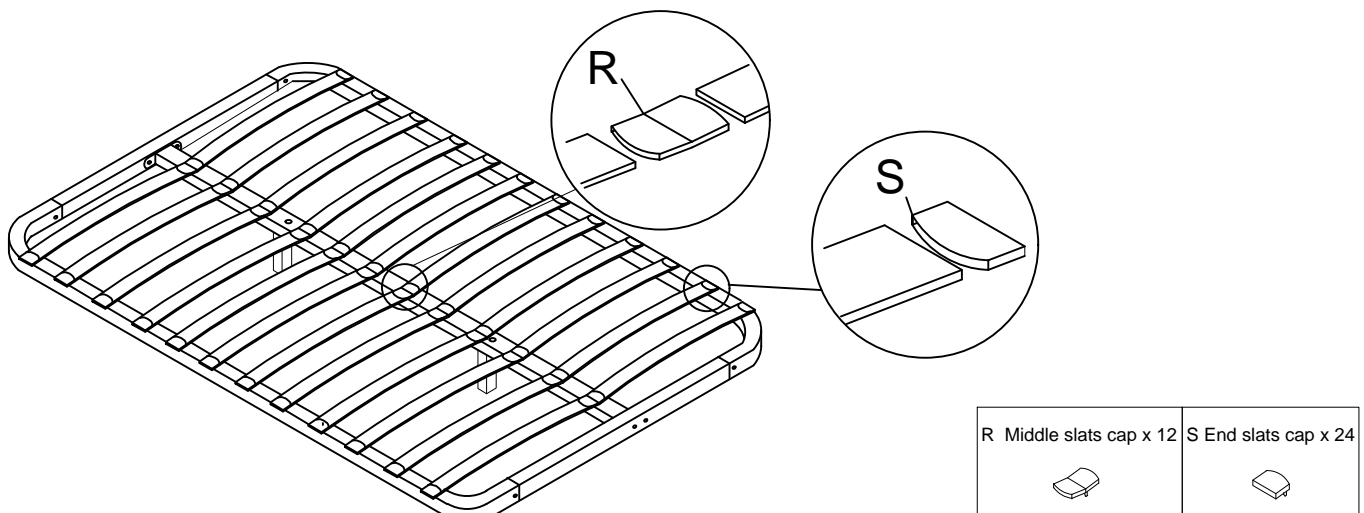
Step 11

Fix the Middle legs Q to the Middle bar with Bolts F by using Allen key A. Put the Pull tab M in the end of the slat frame.



Step 12

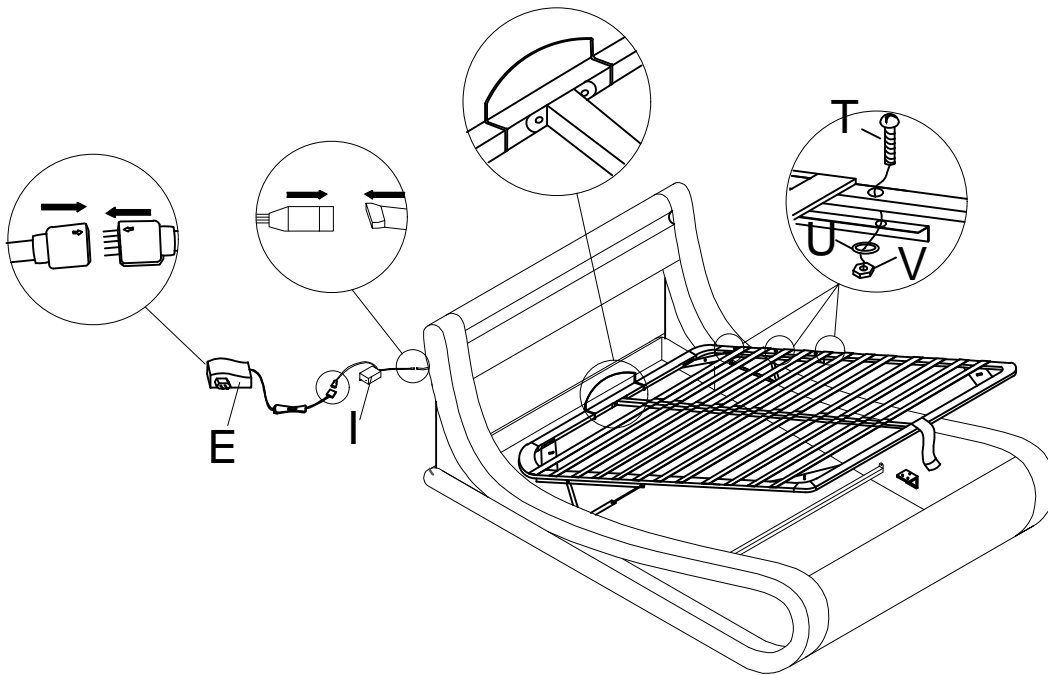
Assemble the slats in to the assembled slats frame with Single slat caps S and Double slat caps R.








Step 13

Assemble the slats frame ⑩ to the gas lift ⑥ with Bolts T,Washer U and Nuts V.Fix the Color Controller I to the light line,Fix the Adapter E to the Color controller I.

Put the Stopper on the slat frame,then assembly is finished.Now please tighten all hardware and enjoy the bed.



T Bolts x 6 M6X45mm 	U Washer x 6 	V Nuts x 6 	Adapter 	Color controller 
---	---	---	--	---