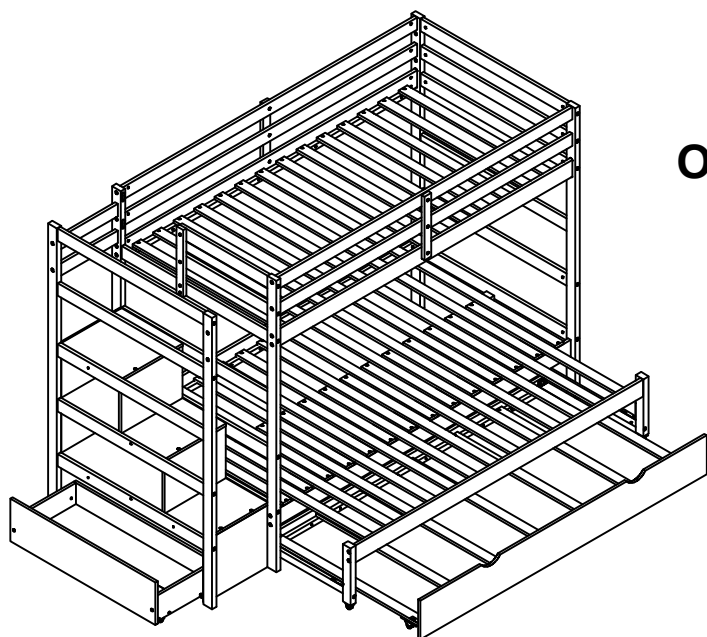


# ASSEMBLY INSTRUCTIONS

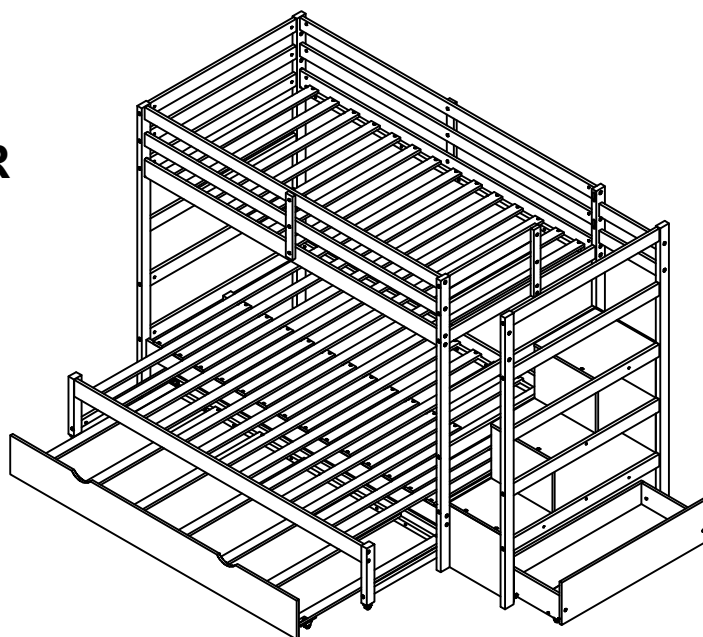
## BUNKBED WITH TRUDLE

Type 1



OR

Type 2



WF286735/WF286736



# SAFETY WARNING



1. This bed is designed for use only mattress (es) meeting the following specifications on the upper bunk, and lower bunk:

## Down bed

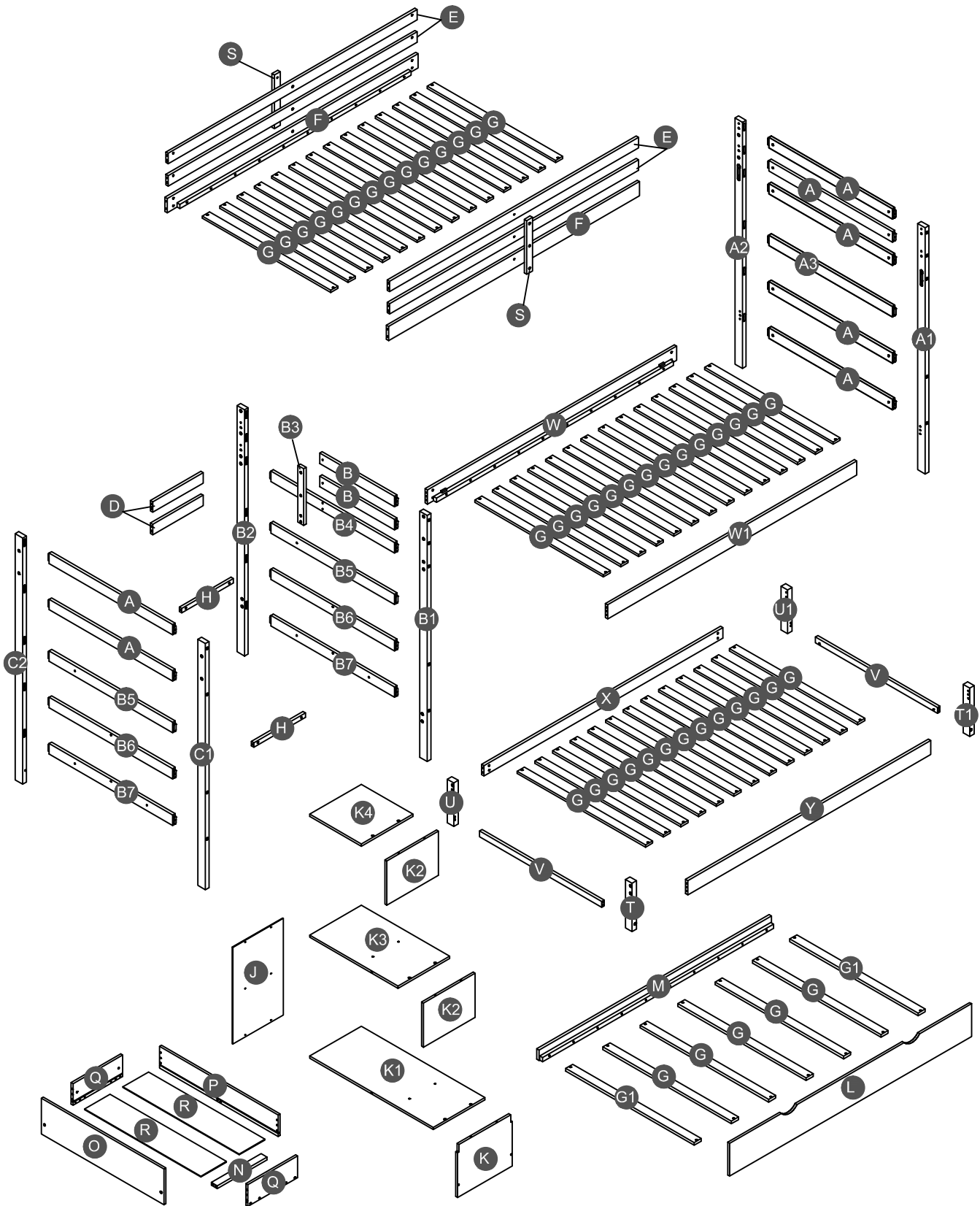
Bed type	Length	With	Thickness
Twin Standard	74"-75"	38 1/2"	8" max

## Up bed (Bunk bed and tribed included)

Bed type	Length	With	Thickness
Twin Standard	74"-75"	38 1/2"	6" max

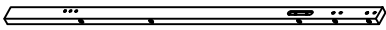
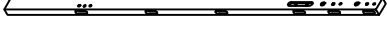
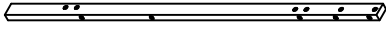
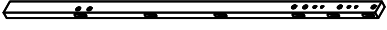
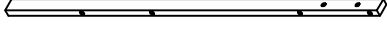
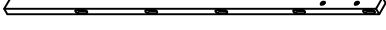


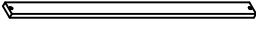
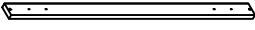
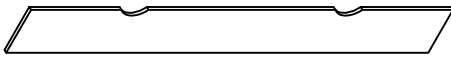

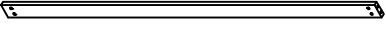

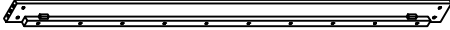
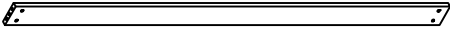
2. Replacement parts, including additional guardrails, maybe obtained from any of our (GIGACLOUD TECHNOLOGY (USA) INC.) dealers
3. Follow the information on the warnings appearing on the upper bunk bed end structure and on the carton. Do not remove warning label from bed.
4. Always use the recommended size mattresses or mattress supports, or both, to help prevent the likelihood of entrapment or falls.
5. Surface of mattress must be at least 5" (127mm) below the upper edge of guardrails.
6. Do not allow children under 6 years of age to use the upper bunk.
7. Periodically check and ensure that the guardrail, ladder, and other components are in their proper position, free from damage, and that all connectors are tight.
8. Do not allow horseplay on or under the bed and prohibit jumping on the bed.
9. Always use the ladder for entering and leaving the upper bunk.
10. Do not use substitute part. Contact the manufacture or dealer for replacement part.
11. Use of a night light may provide added safety precaution for a child using the upper bunk.
12. Always use guardrails on both long sides of the upper bunk. If the bunk bed will be placed next to the wall, the guardrail that runs the full length of the bed should be placed against the wall to prevent entrapment between the bed and wall.
13. The use of water or sleep flotation mattresses is prohibited.
14. STRANGULATION HAZARD - Never attach or hang items to any part of the bunk bed that are not designed for use with the bed; for example, but not limited to, hook, belts and jump ropes.
15. Keep these instruction for future reference.

# Detail View: Type 1

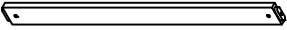
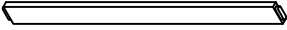
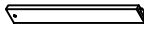

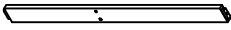

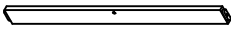
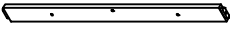
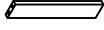
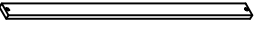
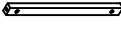


# Part List

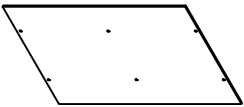
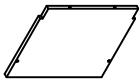
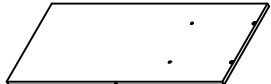



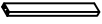


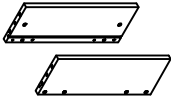
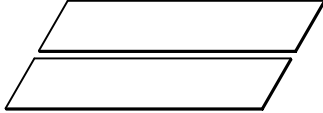

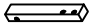
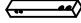
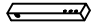
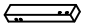
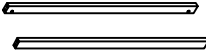
## Hardware List WF286735

<b>A1</b>  Leg HB (front) - 1pc	<b>A2</b>  Leg HB (back) - 1pc	<b>B1</b>  Leg FB (front) - 1pc
<b>B2</b>  Leg FB (back) - 1pc	<b>C1</b>  Leg FB (front) - 1pc	<b>C2</b>  Leg FB (back) - 1pc
<b>E</b>  guard rail - 4pcs	<b>F</b>  Upper side rail(front/back)-2pcs	<b>G</b>  Slats - (18pcs)
<b>G1</b>  Trundle Slats - 2pcs	<b>L</b>  Front panel of trundle- 1pc	<b>M</b>  Back panel side rail of trundle- 1pc
<b>X</b>  Side rail panel (back)-1pc	<b>Y</b>  Side rail panel (front)-1pc	<b>W</b>  Side rail lower (back) -1pc
<b>W1</b>  Side rail lower (front) -1pc		

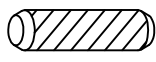
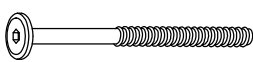
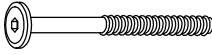
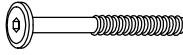


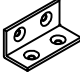


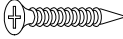
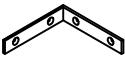
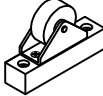
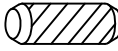
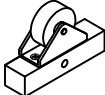

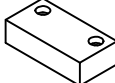
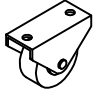
## WF286736

<b>A</b>  Horizontal bar - 7pcs	<b>A3</b>  Horizontal bar - 1pc	<b>B</b>  Horizontal bar - 2pcs
<b>B3</b>  Support guard rail - 1pc	<b>B4</b>  Horizontal bar - 1pc	<b>B5</b>  Horizontal bar - 2pcs
<b>B6</b>  Horizontal bar - 2pcs	<b>B7</b>  Horizontal bar - 2pcs	<b>D</b>  Back guard - 2pcs
<b>G</b>  Slats - (28pcs)	<b>H</b>  Horizontal support - 2pcs	

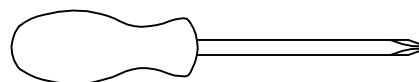
# Part List

<b>J</b>  <p>Back panel - 1pc</p>	<b>K</b>  <p>FOOTBOARD - 1pc</p>	<b>K1</b>  <p>FOOTBOARD - 1pc</p>
<b>K2</b>  <p>FOOTBOARD - 2pcs</p>	<b>K3</b>  <p>FOOTBOARD - 1pc</p>	<b>K4</b>  <p>FOOTBOARD - 1pc</p>
<b>N</b>  <p>Drawer support - 1pc</p>	<b>O</b>  <p>Drawer front - 1pc</p>	<b>P</b>  <p>Drawer back - 1pc</p>
<b>Q</b>  <p>Drawer (left/right) - 2pcs</p>	<b>R</b>  <p>Drawer bottom - 2pcs</p>	<b>S</b>  <p>Vertical guard rail - 2pcs</p>
<b>T</b>  <p>Front leg left - 1pc</p>	<b>U</b>  <p>Back leg left - 1pc</p>	<b>T1</b>  <p>Front leg Right - 1pc</p>
<b>U1</b>  <p>Back leg Right - 1pc</p>	<b>V</b>  <p>Horizontal side (L/R) - 2pcs</p>	

# Hardware List

<b>1</b>  Ø10*40mm Wood dowel (12pcs)	<b>2</b>  Ø8*30mm Wood dowel (22pcs)	<b>3</b>  (Ø15)1/4"*100mm Hex-Head bolts (30pcs)
<b>4</b>  (Ø15)1/4"*80mm Hex-Head bolts (36pcs)	<b>5</b>  (Ø12)1/4"*60mm Hex-Head bolts (22pcs)	<b>6</b>  (Ø12)1/4"*30mm Hex-Head bolts (10pcs)
<b>7</b>  1/4"*15 (9.5mm) Horizontal-Hole bolts(88pcs)	<b>8</b>  Ø3.5*15mm Wood screws (34pcs)	<b>9</b>  40*18*18*2mm Metal bracket (2pcs)
<b>10</b>  Ø3.5*19mm Wood screws (8pcs)	<b>11</b>  (1/4")4.5*58mm Allen key (1pc)	<b>12</b>  Ø4*30mm Wood screws (116pcs)
<b>13</b>  95*95*18*3mm Metal bracket (4pcs)	<b>14</b>  100*63*20 mm Wheels (4pcs)	<b>15</b>  Ø10*20mm Wood dowel (4pcs)
<b>16</b>  100*20*54mm Wheels (4pcs)	<b>17</b>  (Ø12)1/4"*40mm Hex-Head bolts (1pc)	<b>18</b>  70*35*19 mm Trundle stopper (2pcs)
<b>19</b>  45*20*35 mm Wheels (4pcs)	<b>20</b>  24*28*28*2mm Metal bracket (2pcs)	




## ASSEMBLY TOOLS REQUIRED ( NOT INCLUDED )

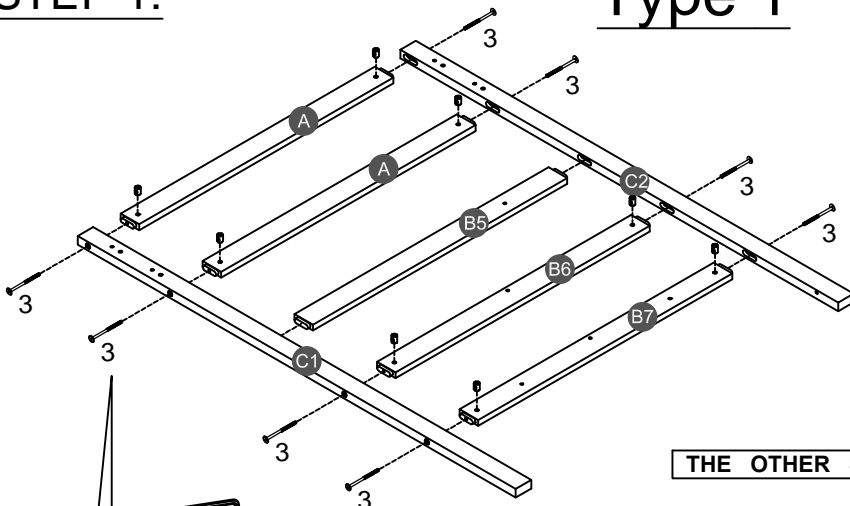


PLEASE BE CAREFUL DO NOT DAMAGE THE HOLE POSITION WHEN YOU USE POWER TOOLS !

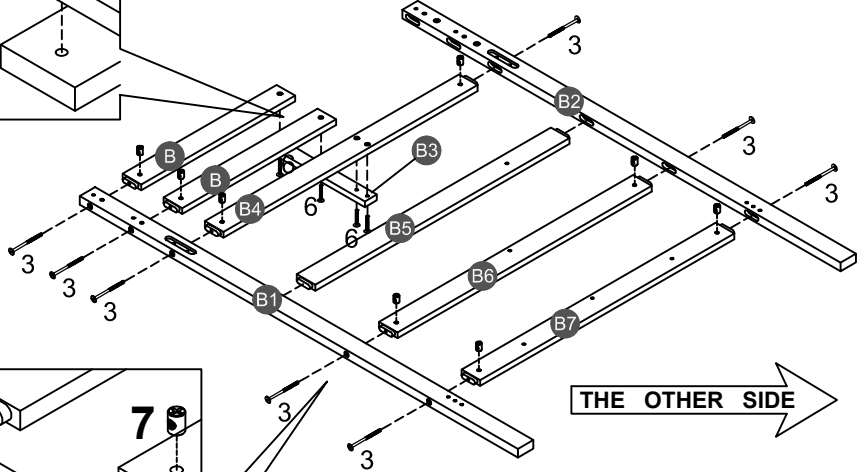
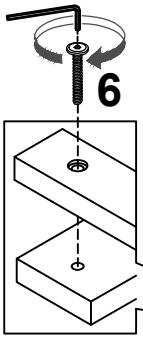
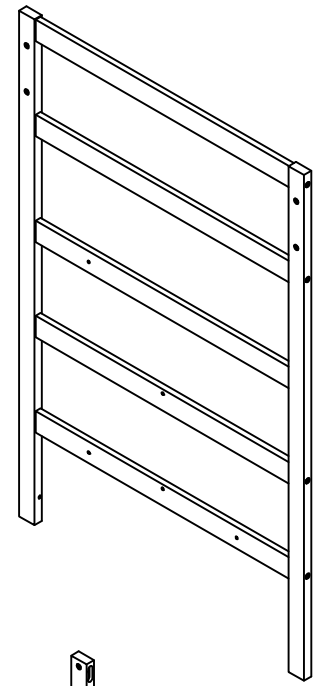
# STEP 1:

# Type 1

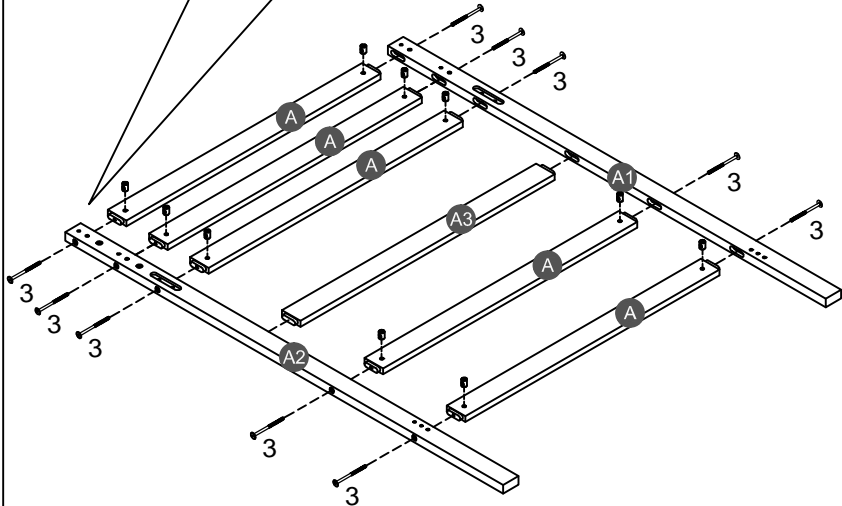
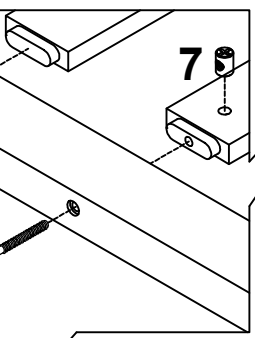
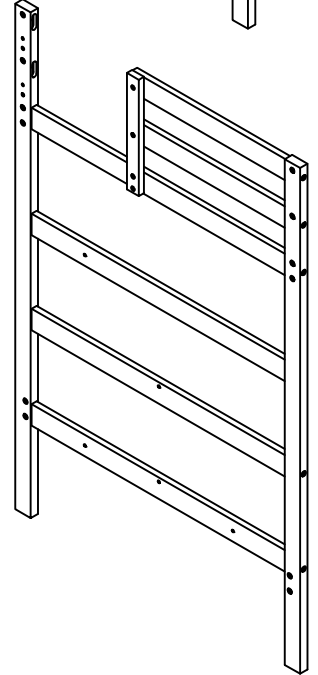
<b>3</b> 	<b>6</b> 	<b>7</b> 
<b>26PCS</b>	<b>4PCS</b>	<b>26PCS</b>



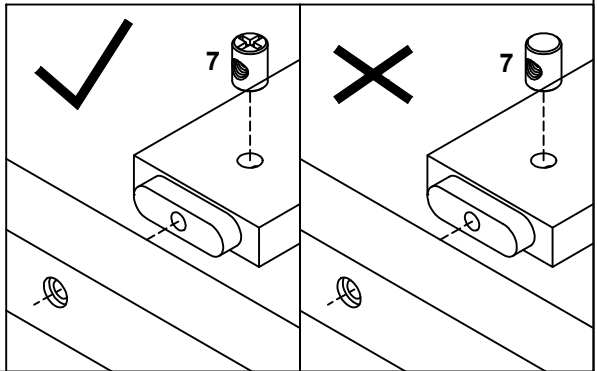
THE OTHER SIDE →



THE OTHER SIDE →

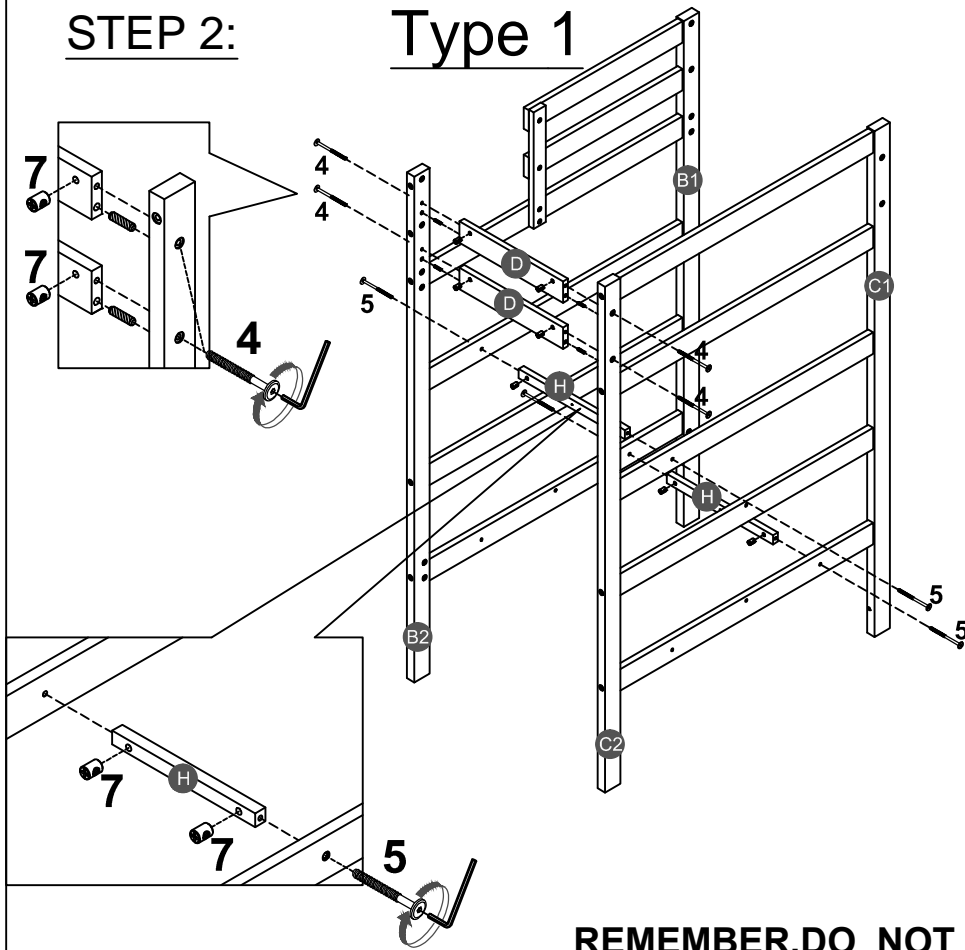






Note: Part 7 will face up with the "x" mark on it, otherwise it cannot be tightened



**STEP 2:**

**Type 1**

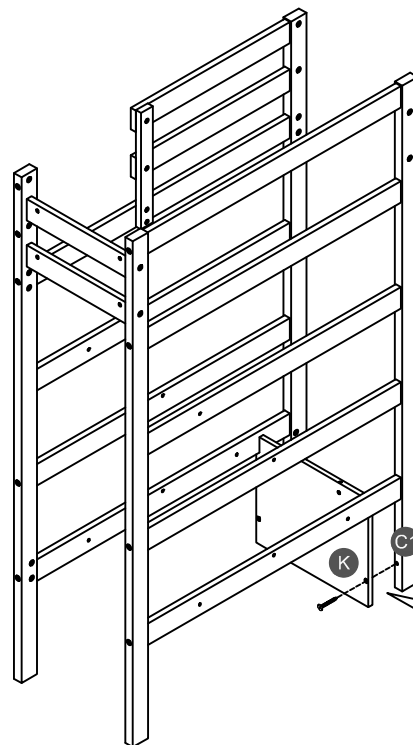


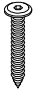
<b>1</b>		<b>4</b>		<b>5</b>	
<b>4PCS</b>		<b>4PCS</b>		<b>4PCS</b>	
				<b>7</b>	
				<b>8PCS</b>	

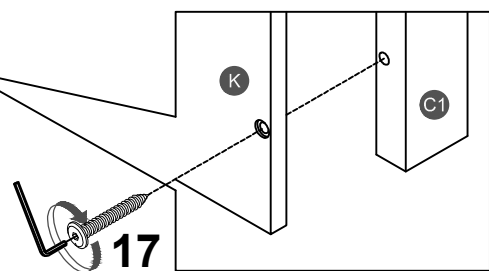
**REMEMBER, DO NOT full tighten screws step 2---step 6 until step 6 is completed.**

**STEP 3:**

**Type 1**







<b>17</b>	
<b>1PC</b>	

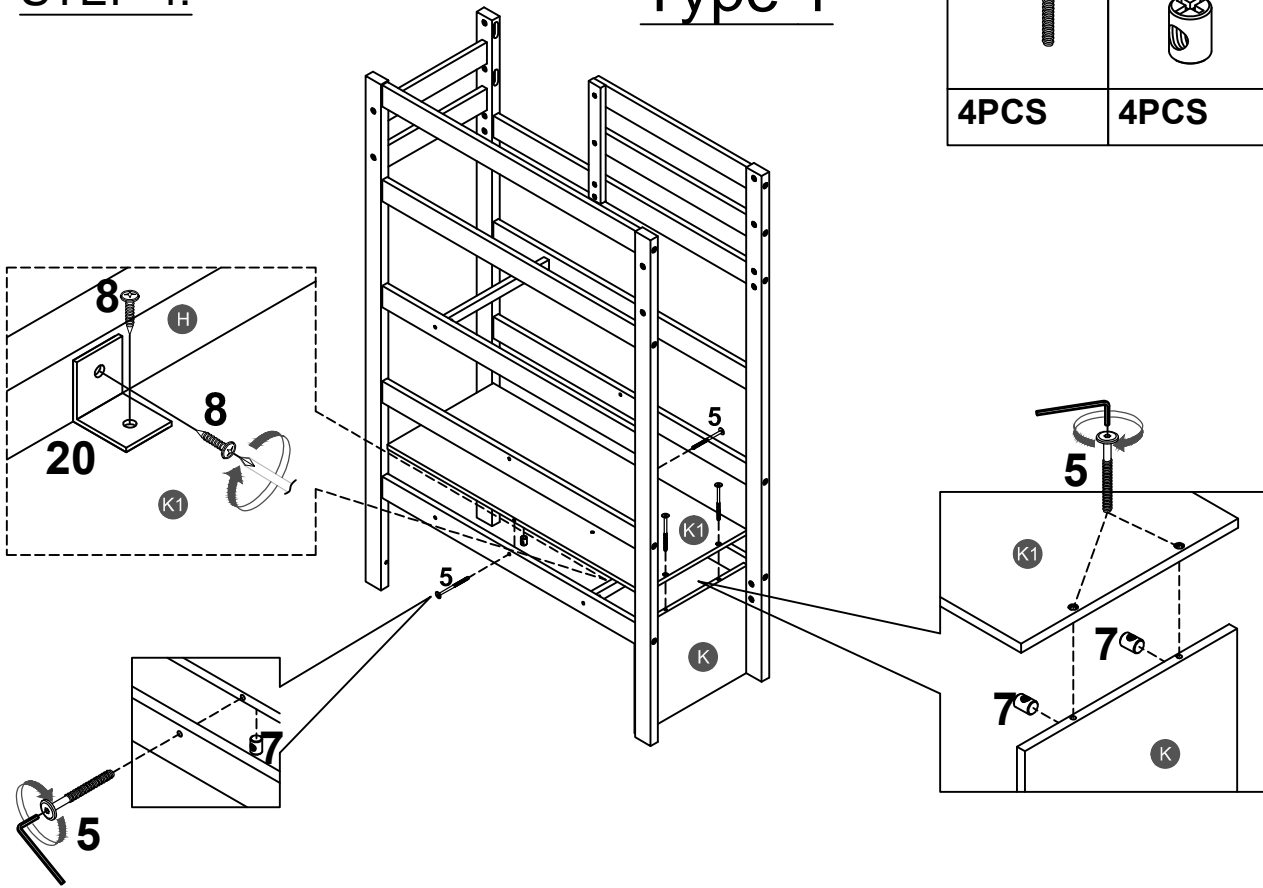




**STEP 4:**



**Type 1**

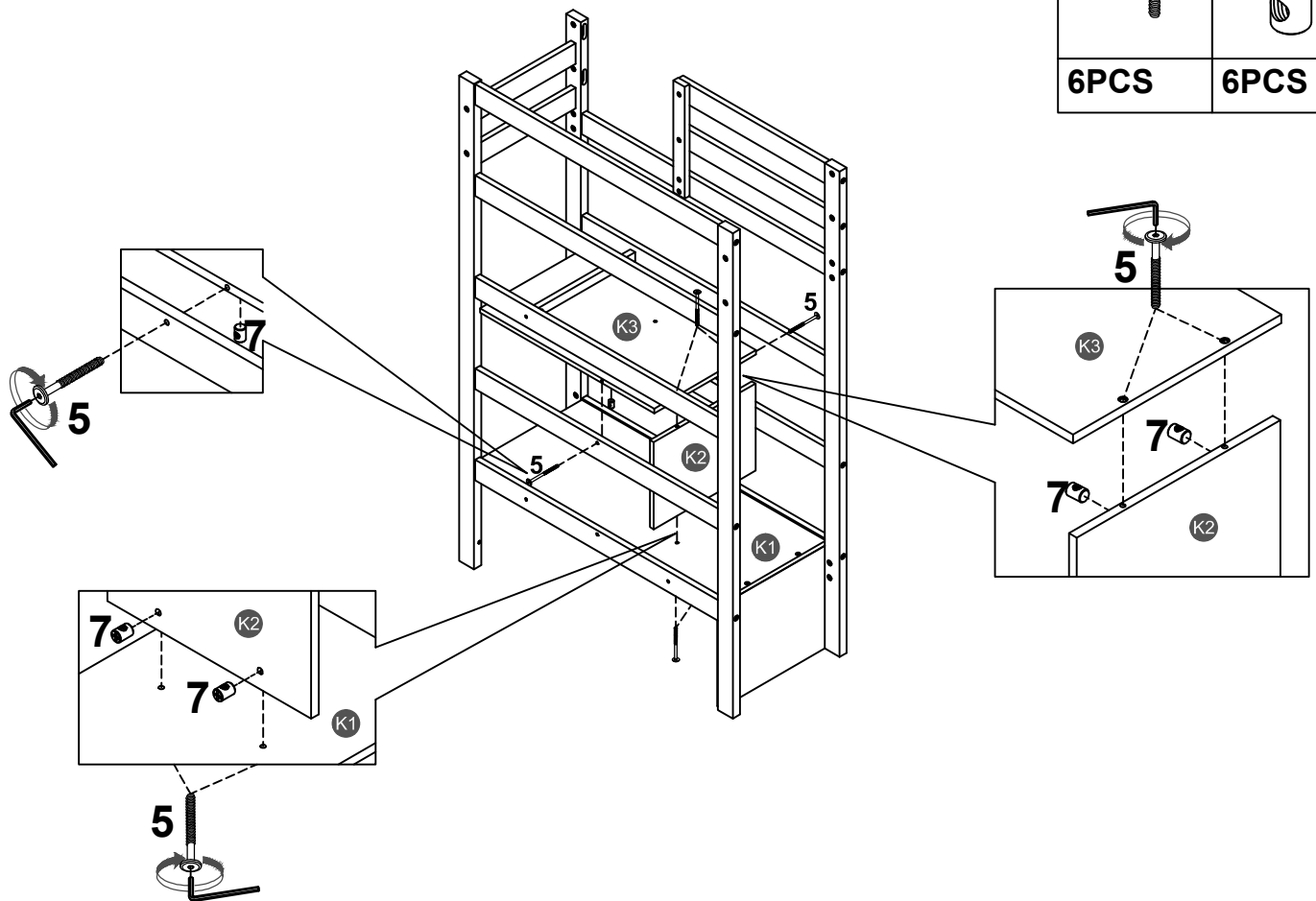
<b>5</b>		<b>7</b>		<b>8</b>	
<b>4PCS</b>		<b>4PCS</b>		<b>2PCS</b>	
					<b>20</b>
					
					<b>1PC</b>



**STEP 5:**





**Type 1**

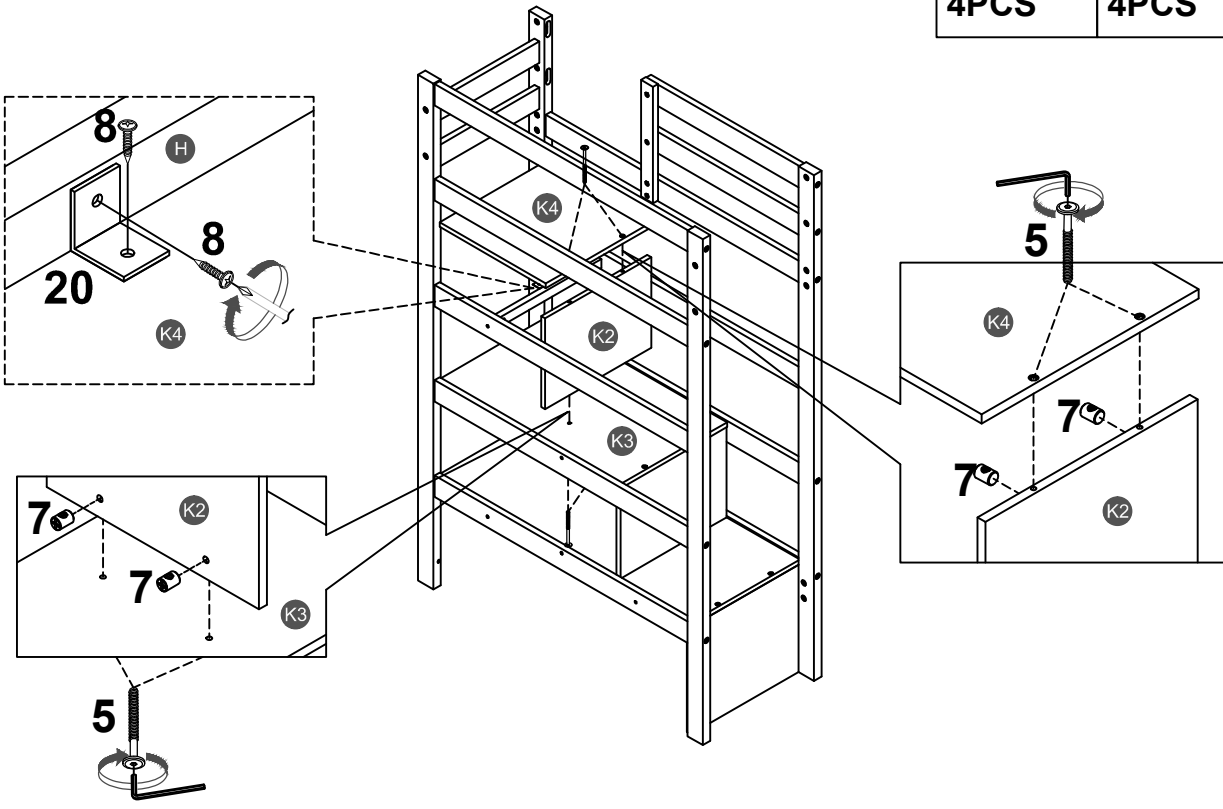
<b>5</b>		<b>7</b>	
<b>6PCS</b>		<b>6PCS</b>	



**STEP 6:**


**Type 1**

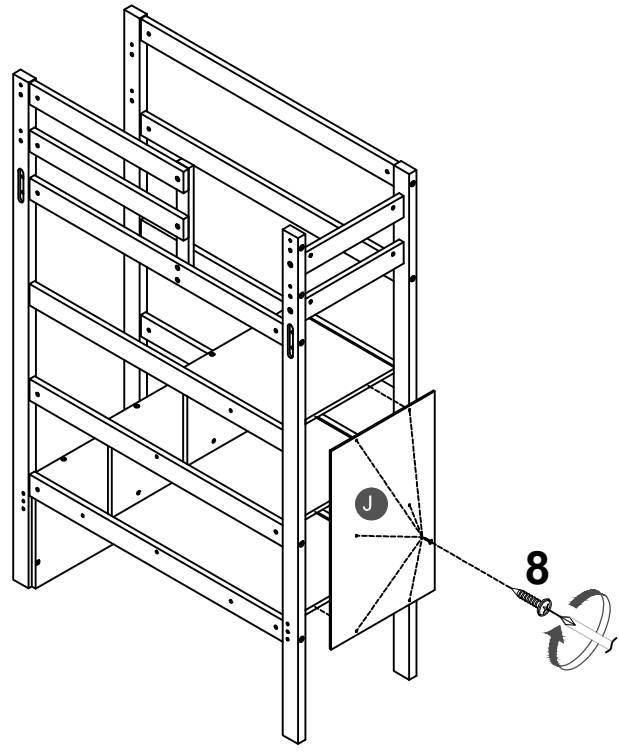
<b>5</b>		<b>7</b>		<b>8</b>	
<b>4PCS</b>		<b>4PCS</b>		<b>2PCS</b>	
					<b>20</b>
					
					<b>1PC</b>



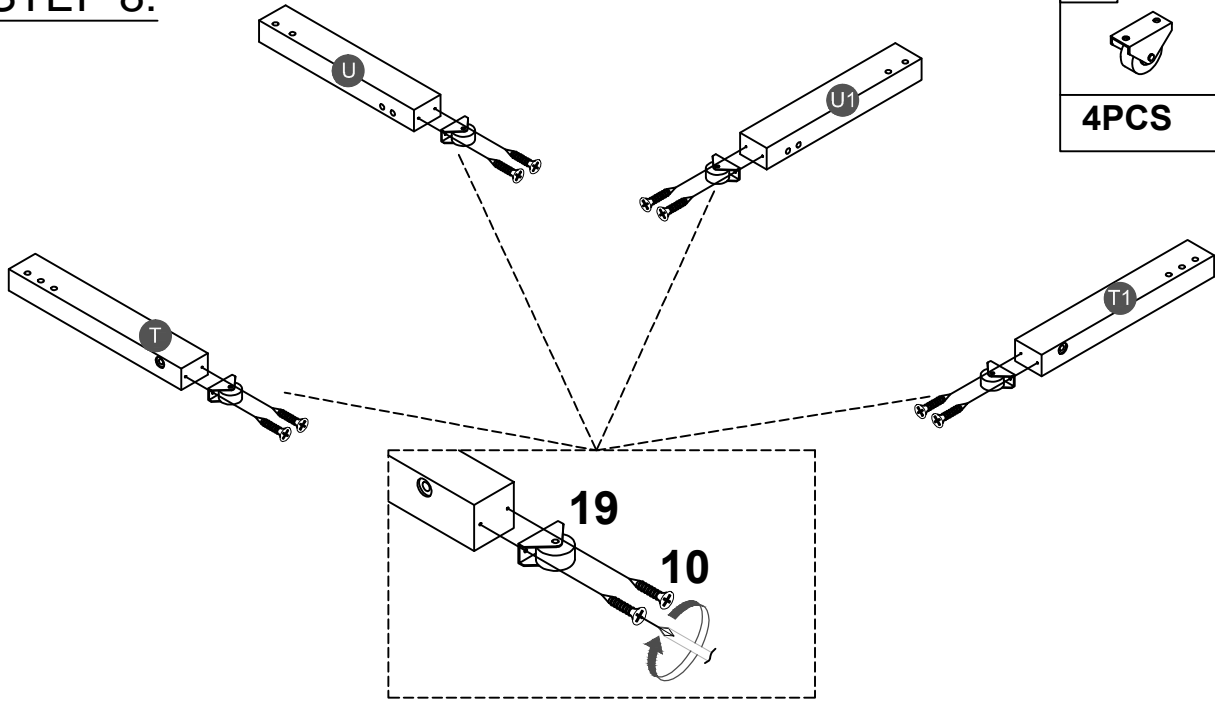
**STEP 7:**



**Type 1**

<b>8</b>	
<b>6PCS</b>	

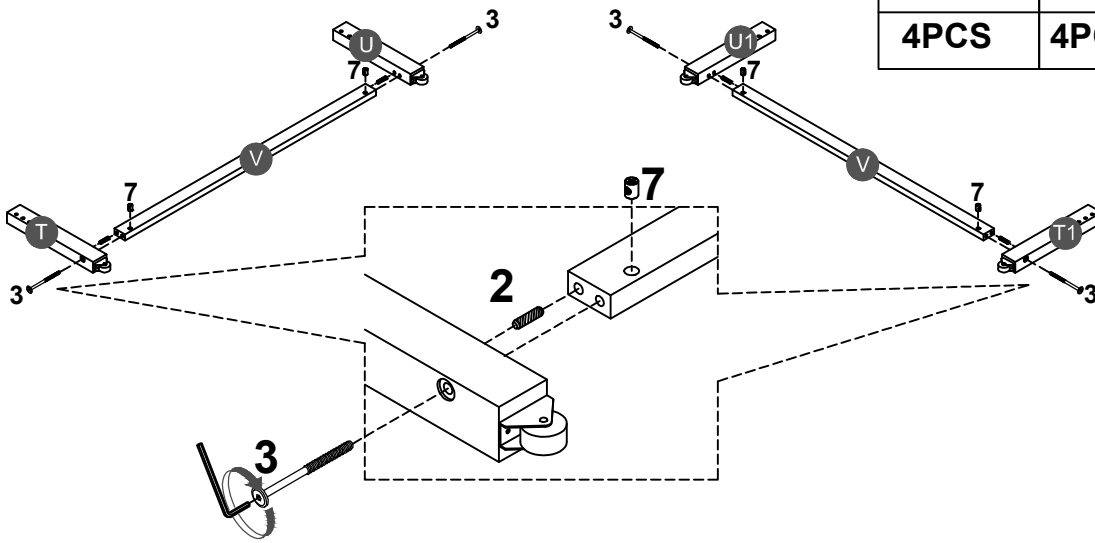





**STEP 8:**



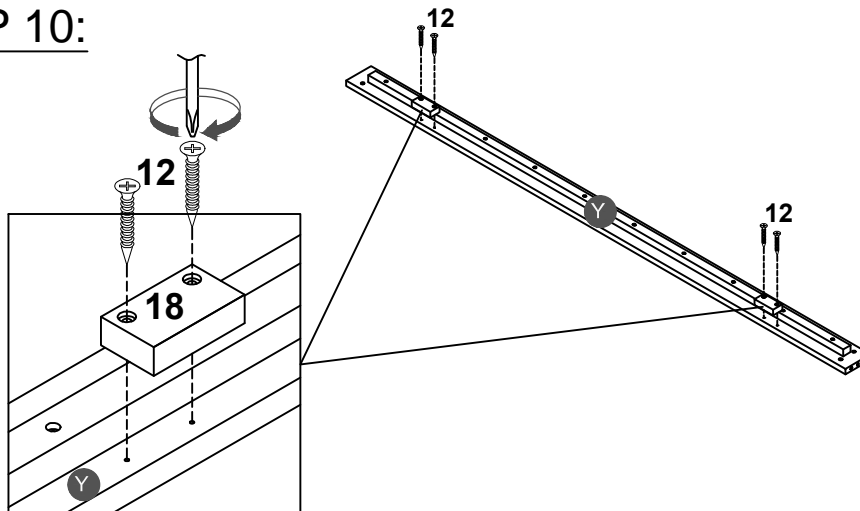
<b>19</b>	<b>10</b>
	
<b>4PCS</b>	<b>8PCS</b>


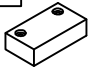
**STEP 9:**



<b>2</b>	<b>3</b>	<b>7</b>
		
<b>4PCS</b>	<b>4PCS</b>	<b>4PCS</b>




**STEP 10:**

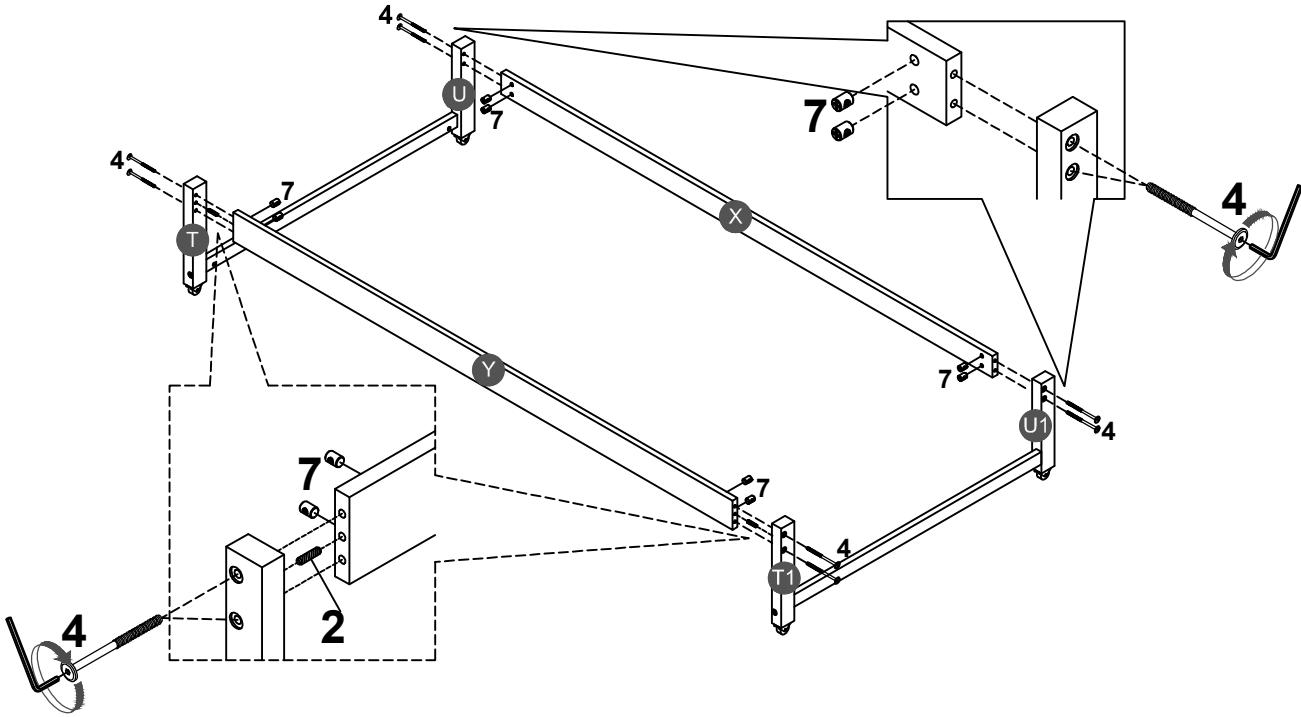


<b>12</b>	<b>18</b>
	
<b>4PCS</b>	<b>2PCS</b>



Trundle stopper (18) with side rail front (Y) by using screw (12).

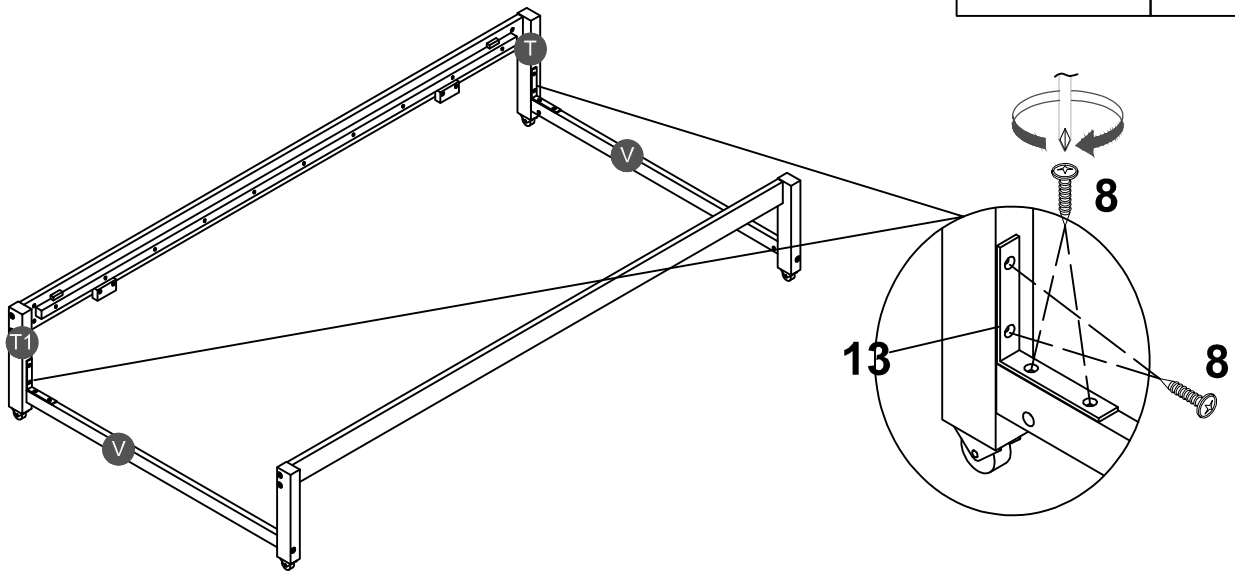
**STEP 11:**

<b>2</b>		<b>4</b>		<b>7</b>	
<b>2PCS</b>		<b>8PCS</b>		<b>8PCS</b>	






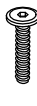

**STEP 12:**

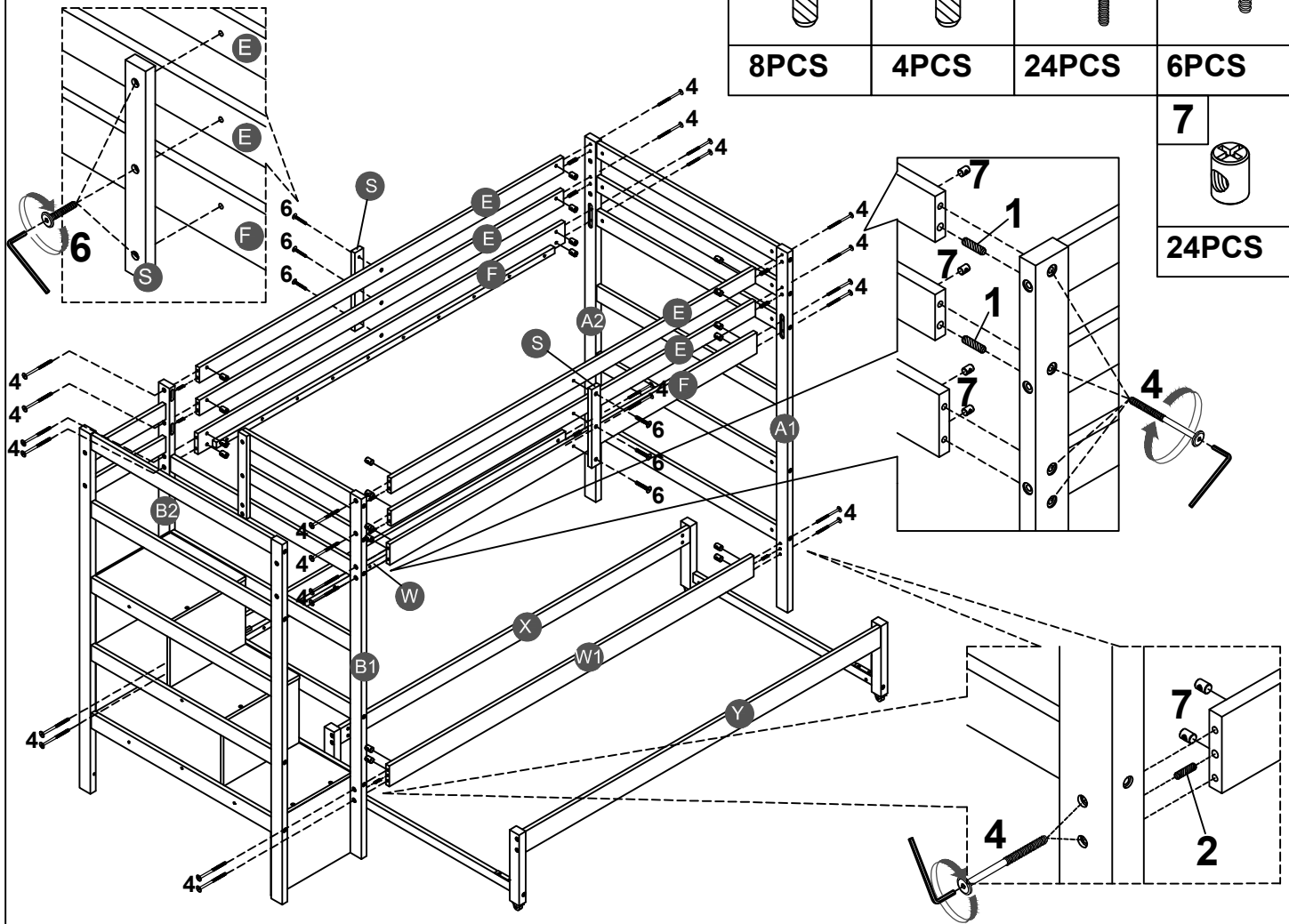
<b>13</b>		<b>8</b>	
<b>2PCS</b>		<b>8PCS</b>	



**STEP 13:**


**Type 1**

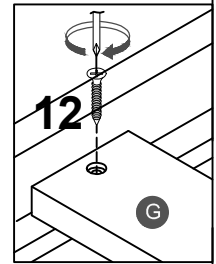
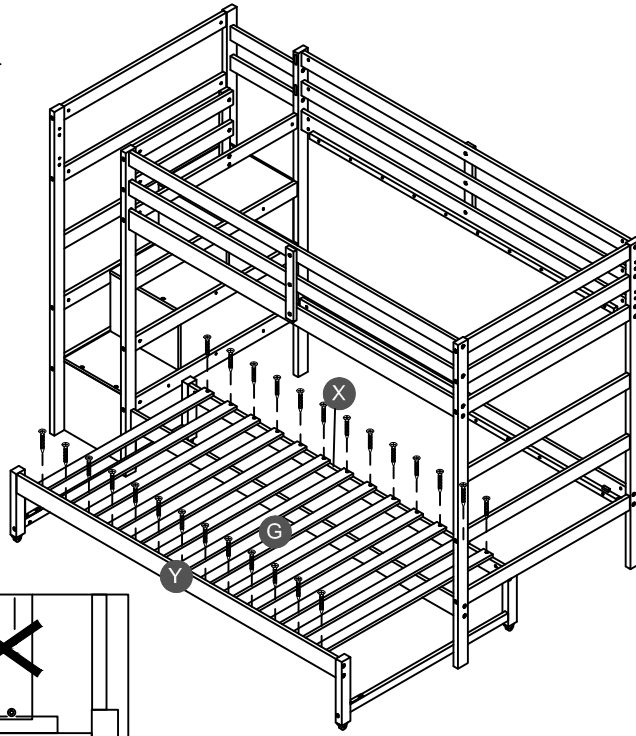
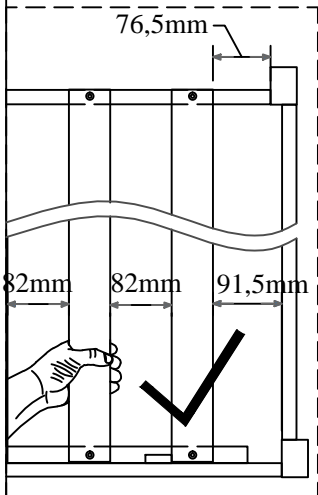
<b>1</b>		<b>2</b>		<b>4</b>		<b>6</b>		
<b>8PCS</b>		<b>4PCS</b>		<b>24PCS</b>		<b>6PCS</b>		
							<b>7</b>	
							<b>24PCS</b>	



**STEP 14:**

**Type 1**

<b>12</b>	
<b>26PCS</b>	



Note: Do not lock the screws of the bed slats to the outermost edge of the bed slats, you need to leave a certain space at the edges, otherwise it will cause the board to break.  
Do not lock the bed slats on the edge of the wood, please hold firmly before screwing, hold it in place with one hand, then lock the screw.

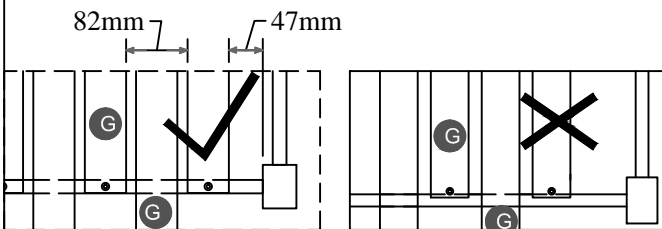
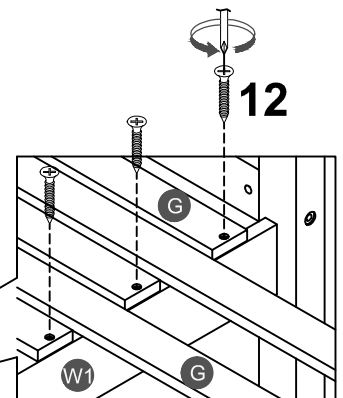
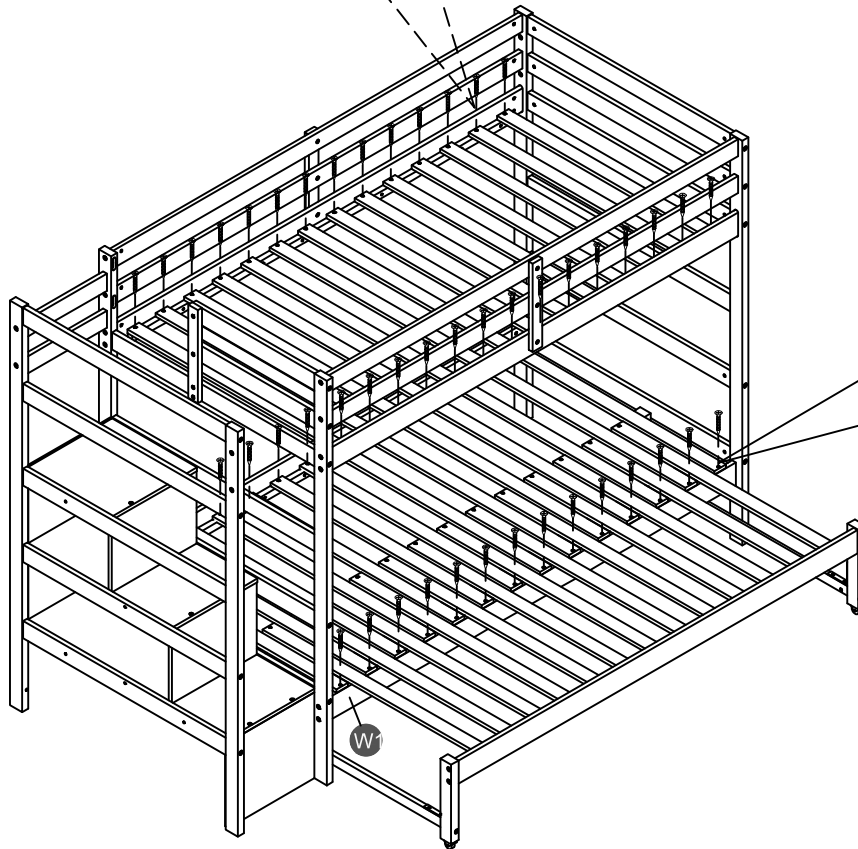
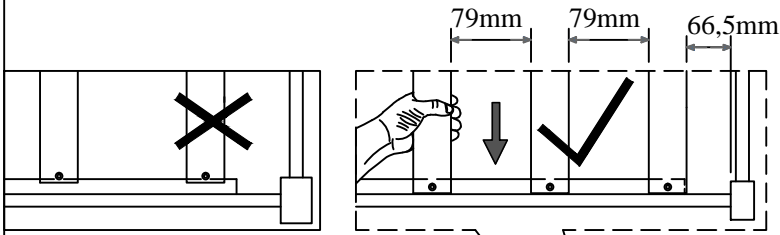
# STEP 15:

# Type 1

12

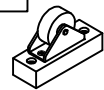



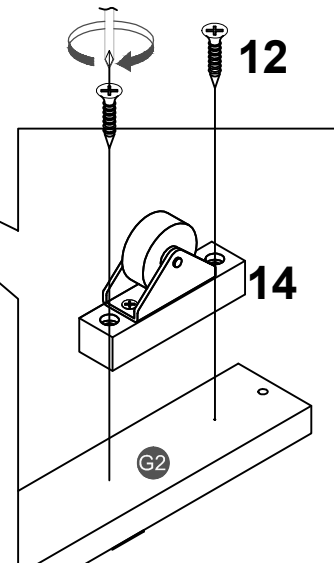
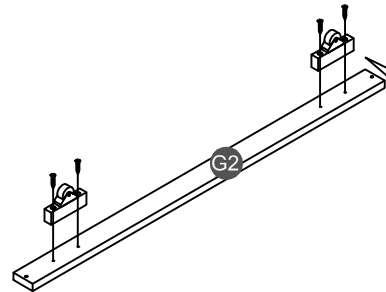
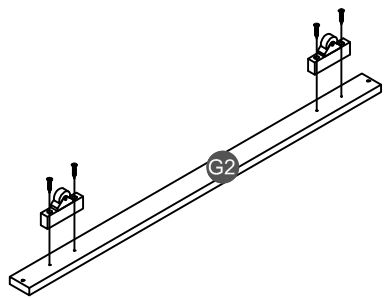
56PCS




Note: Do not lock the screws of the bed slats to the outermost edge of the bed slats, you need to leave a certain space at the edges, otherwise it will cause the board to break.  
Do not lock the bed slats on the edge of the wood, please hold firmly before screwing, hold it in place with one hand, then lock the screw.

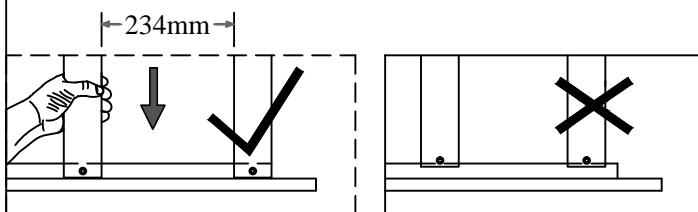
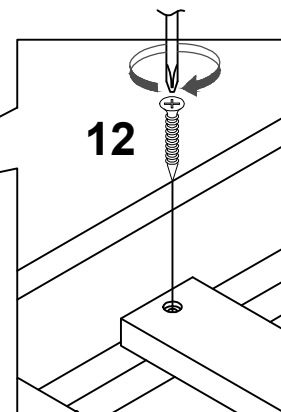
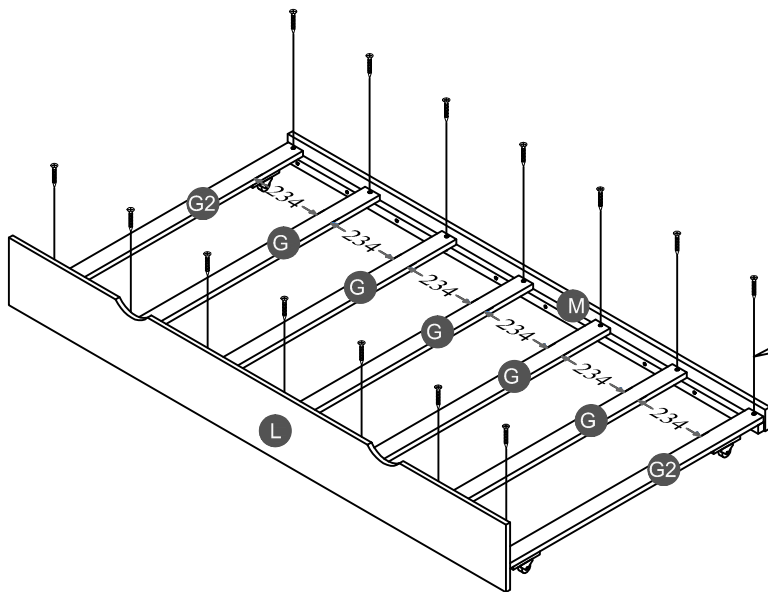
# STEP 16:

<b>14</b> 	<b>12</b> 
<b>4PCS</b>	<b>8PCS</b>



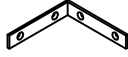

# STEP 17:

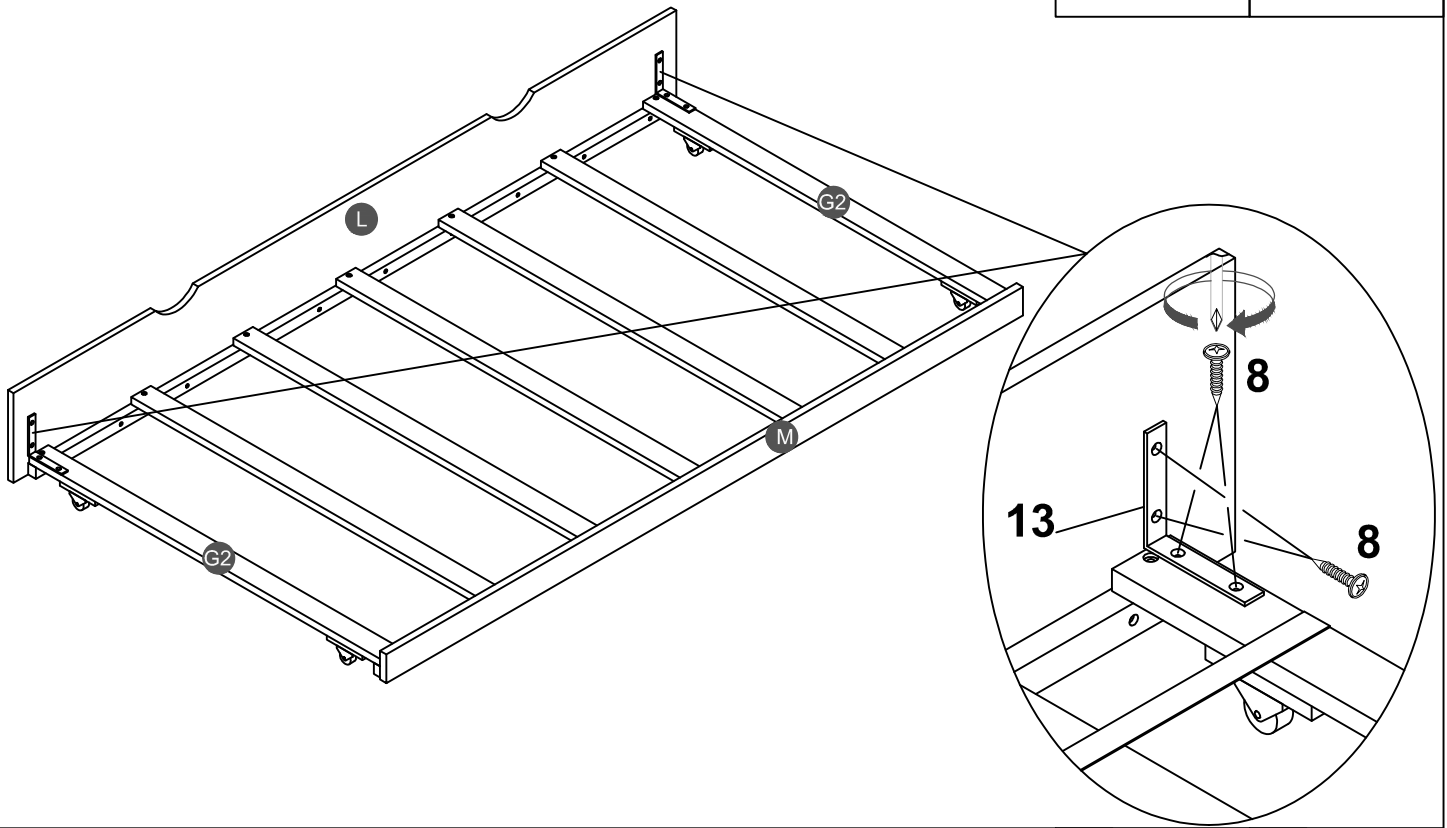
<b>12</b> 
<b>14PCS</b>




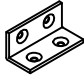
Note: Do not lock the screws of the bed slats to the outermost edge of the bed slats, you need to leave a certain space at the edges, otherwise it will cause the board to break.  
Do not lock the bed slats on the edge of the wood, please hold firmly before screwing, hold it in place with one hand, then lock the screw.

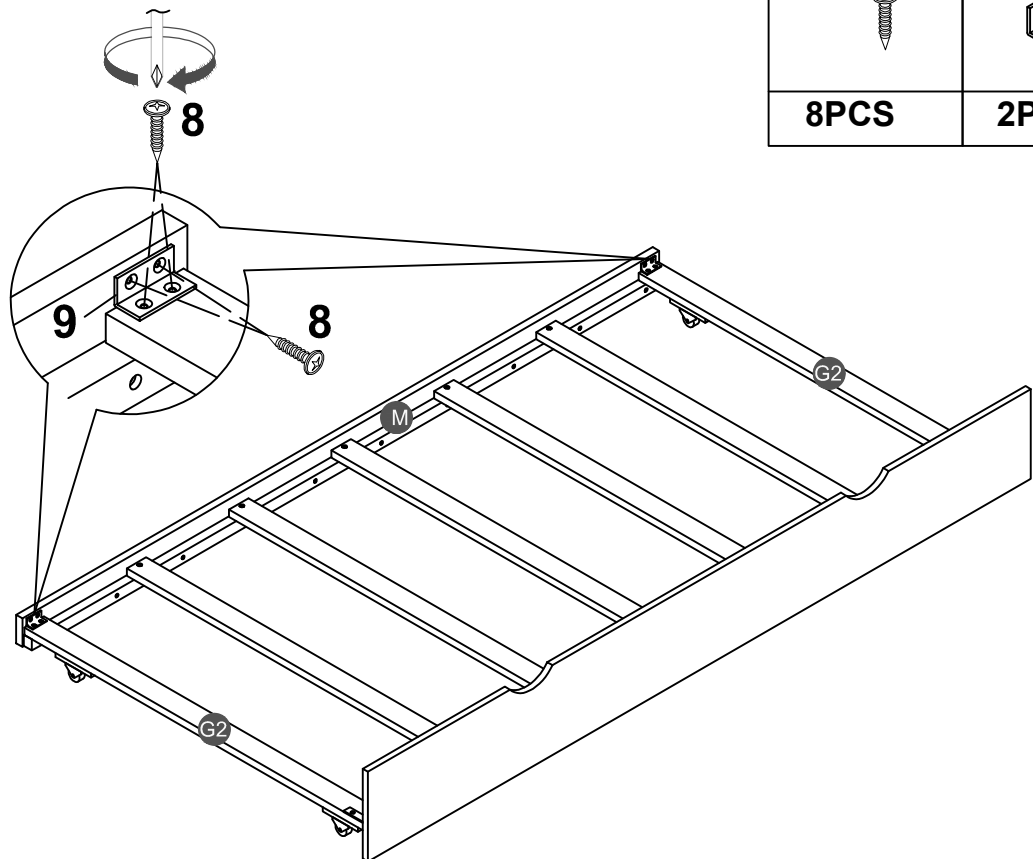
**STEP 18:**

<b>13</b>	<b>8</b>
	
<b>2PCS</b>	<b>8PCS</b>



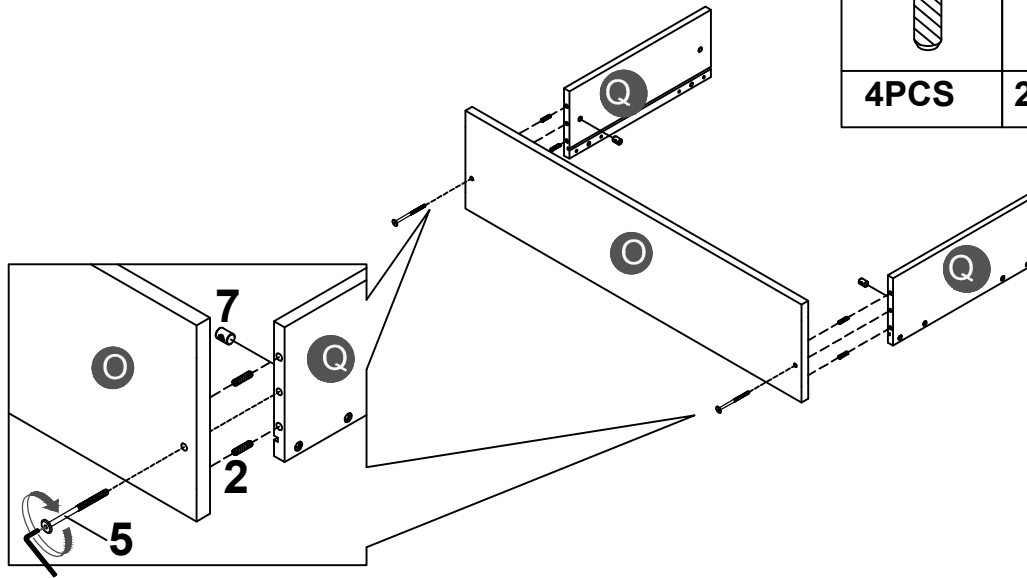
**STEP 19:**




<b>8</b>	<b>9</b>
	
<b>8PCS</b>	<b>2PCS</b>



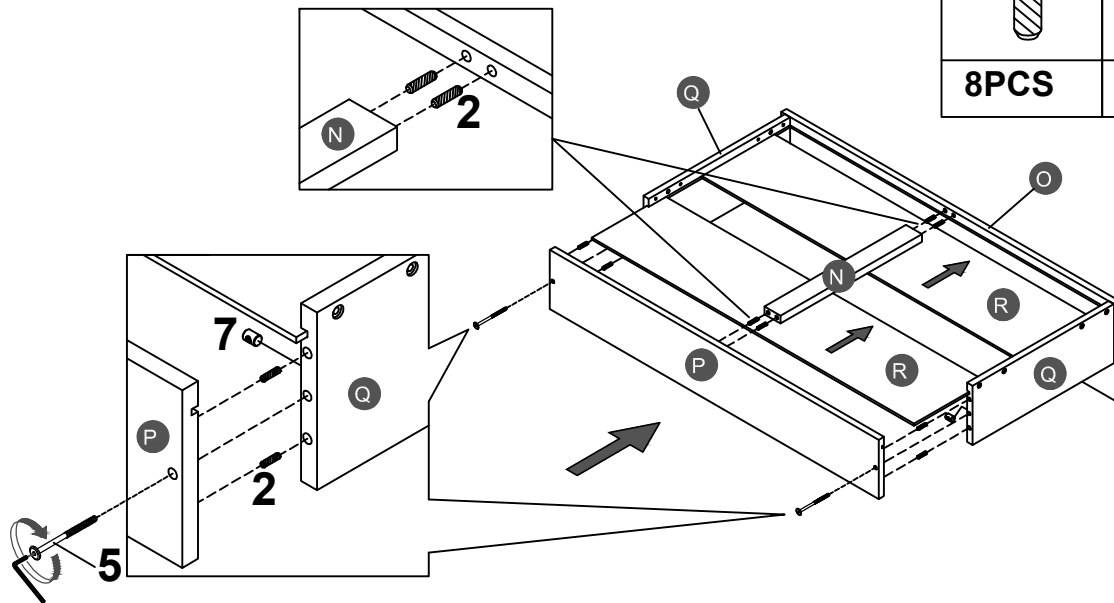





**STEP 20:**



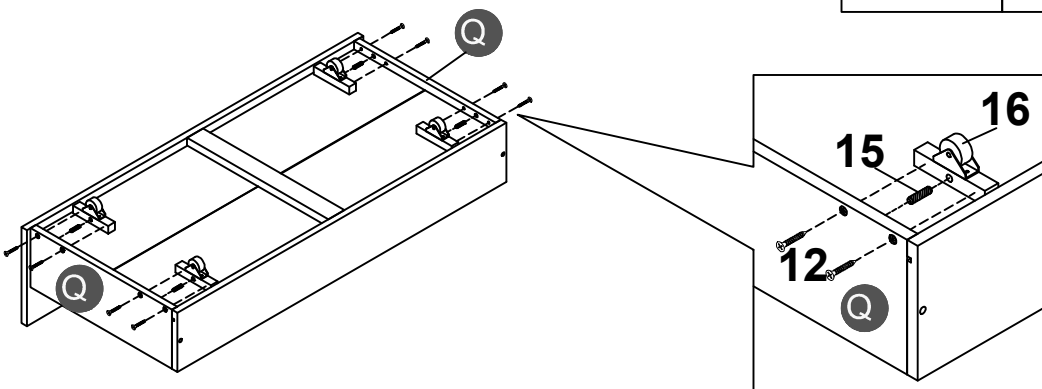
<b>2</b>		<b>5</b>		<b>7</b>	
<b>4PCS</b>		<b>2PCS</b>		<b>2PCS</b>	



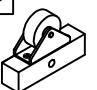
**STEP 21:**



<b>2</b>		<b>7</b>		<b>5</b>	
<b>8PCS</b>		<b>2PCS</b>		<b>2PCS</b>	

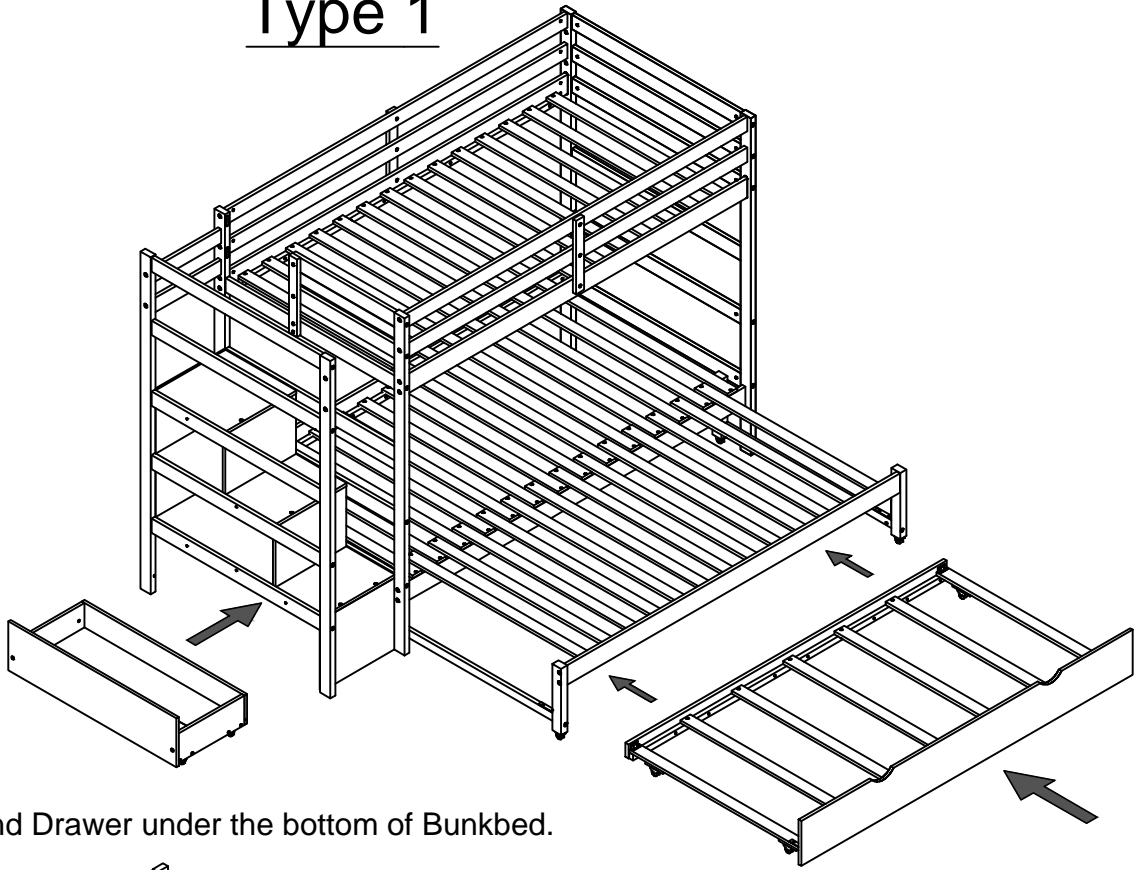
**STEP 22:**



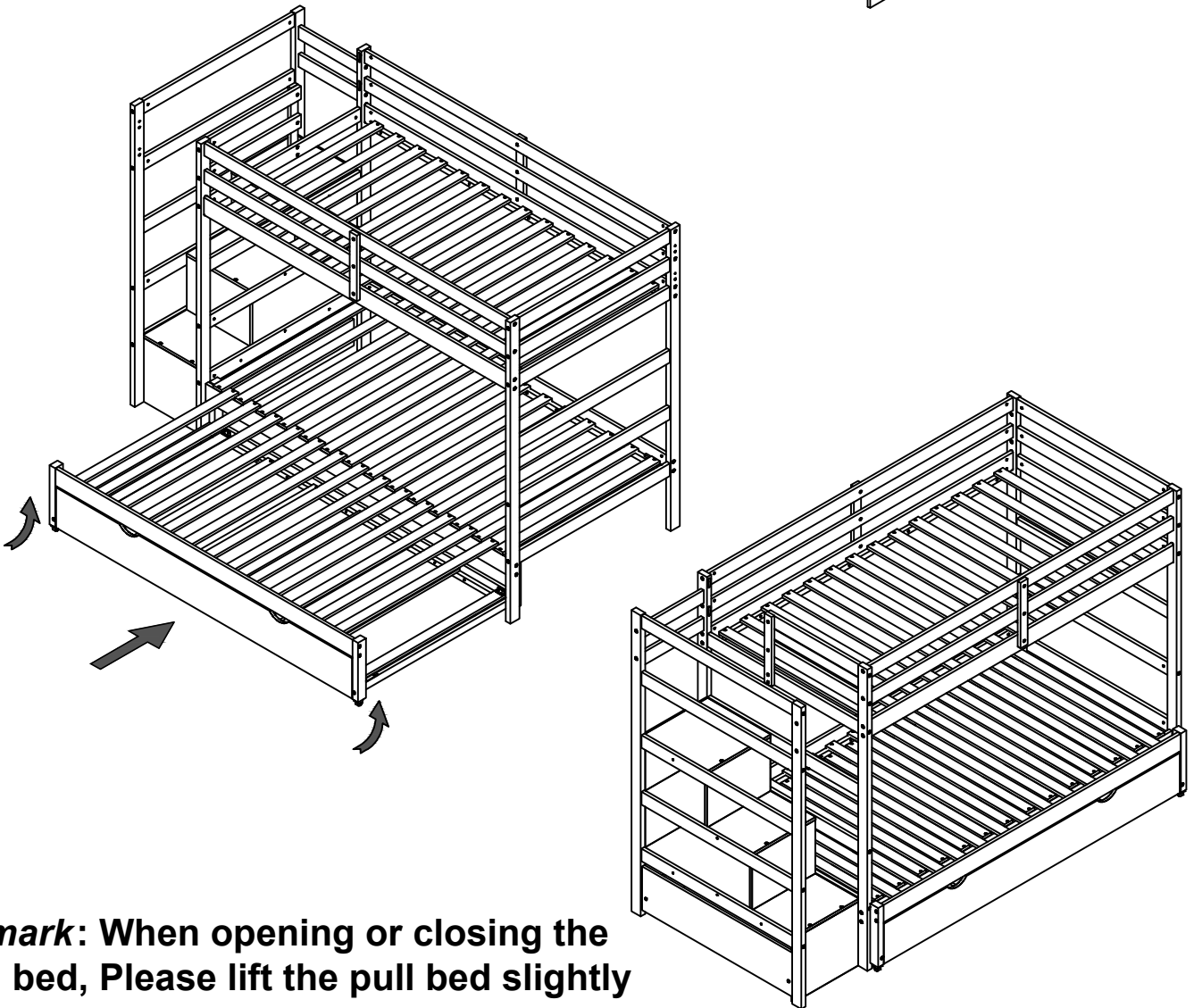
<b>12</b>		<b>15</b>		<b>16</b>	
<b>8PCS</b>		<b>4PCS</b>		<b>4PCS</b>	

STEP 23:

Type 1

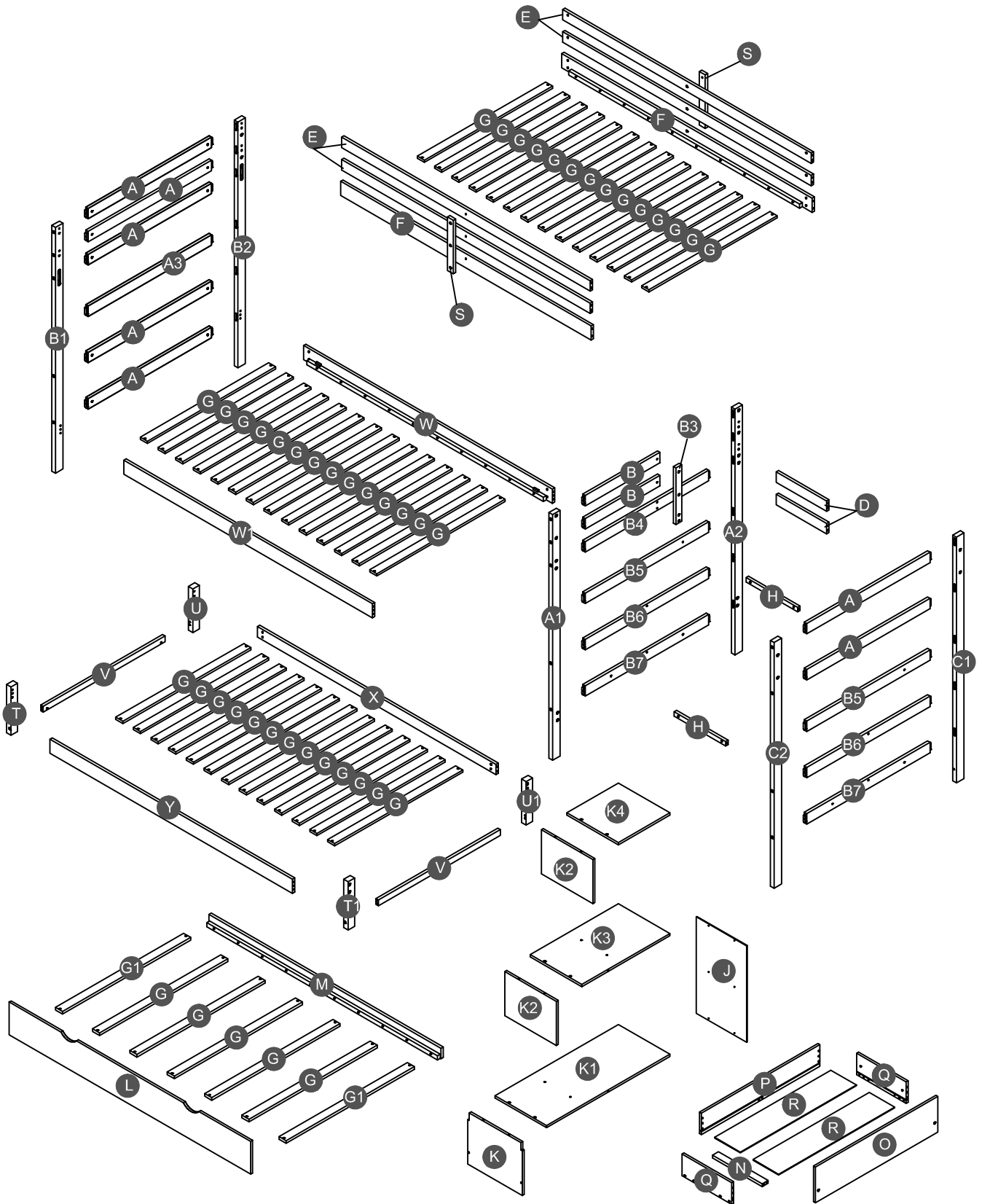


Push Trundle and Drawer under the bottom of Bunkbed.






**Remark:** When opening or closing the pull bed, Please lift the pull bed slightly before opening or closing it.

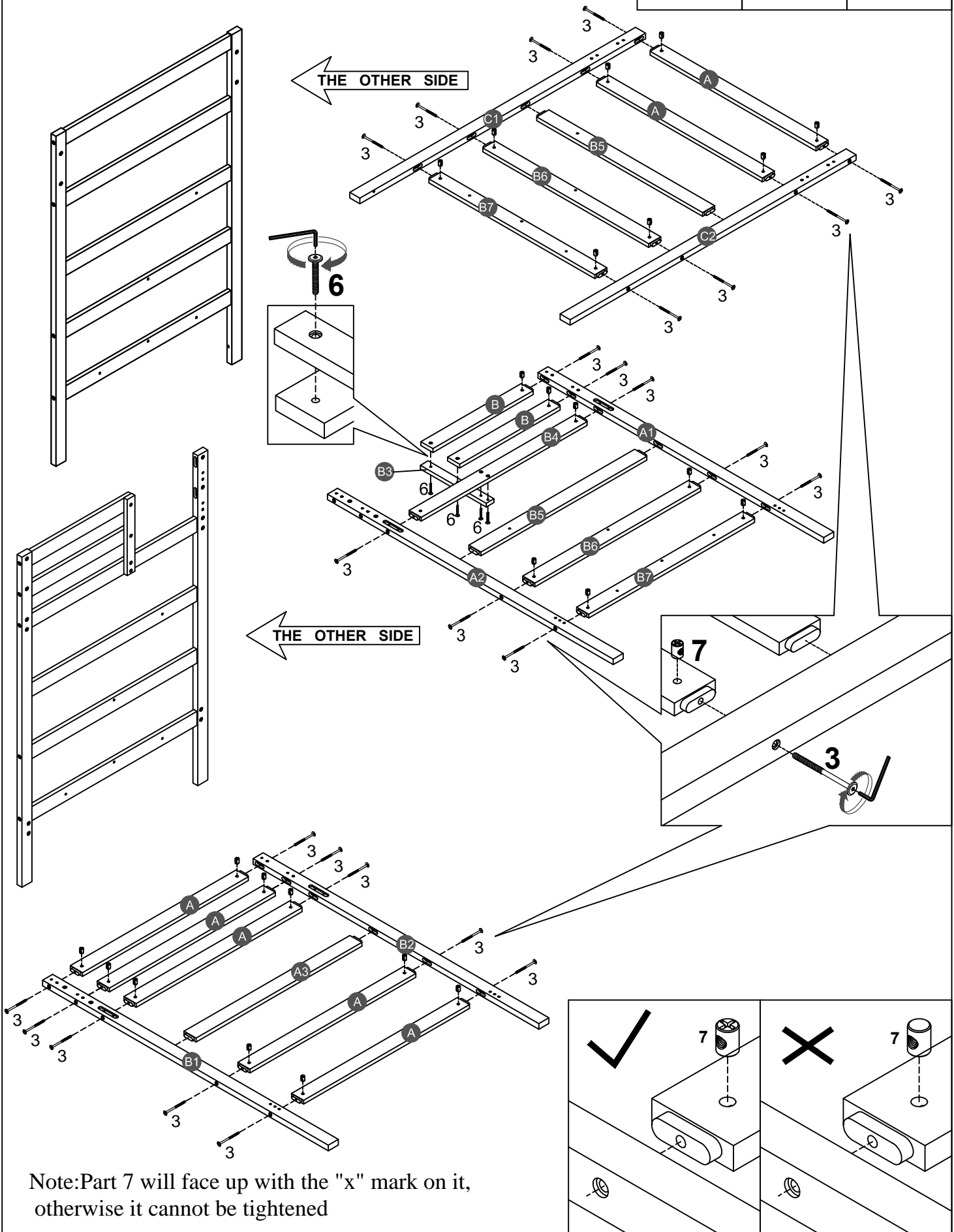
# Detail View: Type 2



**STEP 1:**

**Type 2**





<b>3</b> 	<b>6</b> 	<b>7</b> 
<b>26PCS</b>	<b>4PCS</b>	<b>26PCS</b>

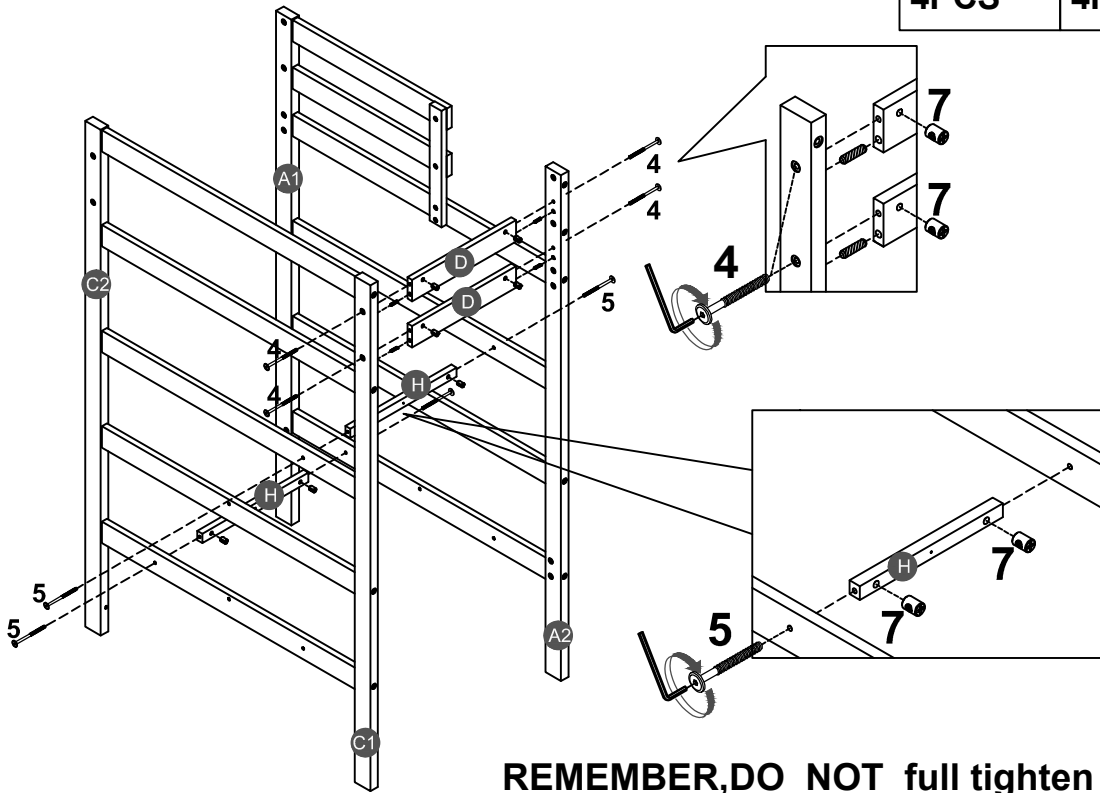


Note: Part 7 will face up with the "x" mark on it, otherwise it cannot be tightened

**STEP 2:**

**Type 2**

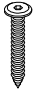
<b>1</b> 	<b>4</b> 	<b>5</b> 
<b>4PCS</b>	<b>4PCS</b>	<b>4PCS</b>
		<b>7</b> 
		<b>8PCS</b>

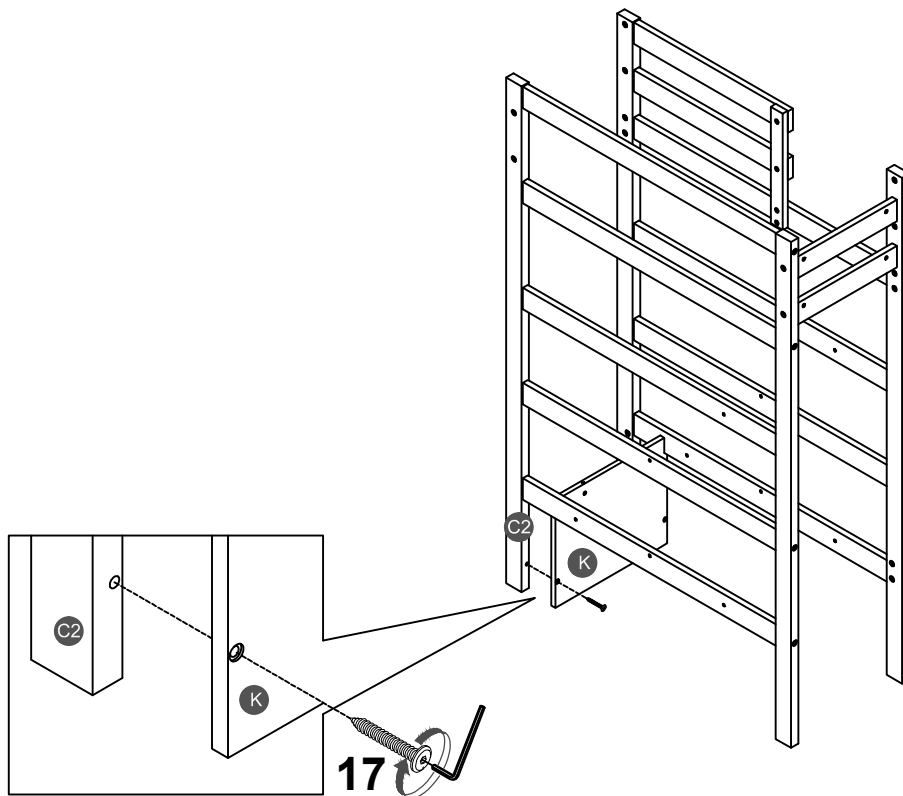


**REMEMBER, DO NOT full tighten screws step 2---step 6 until step 6 is completed.**

**STEP 3:**





**Type 2**

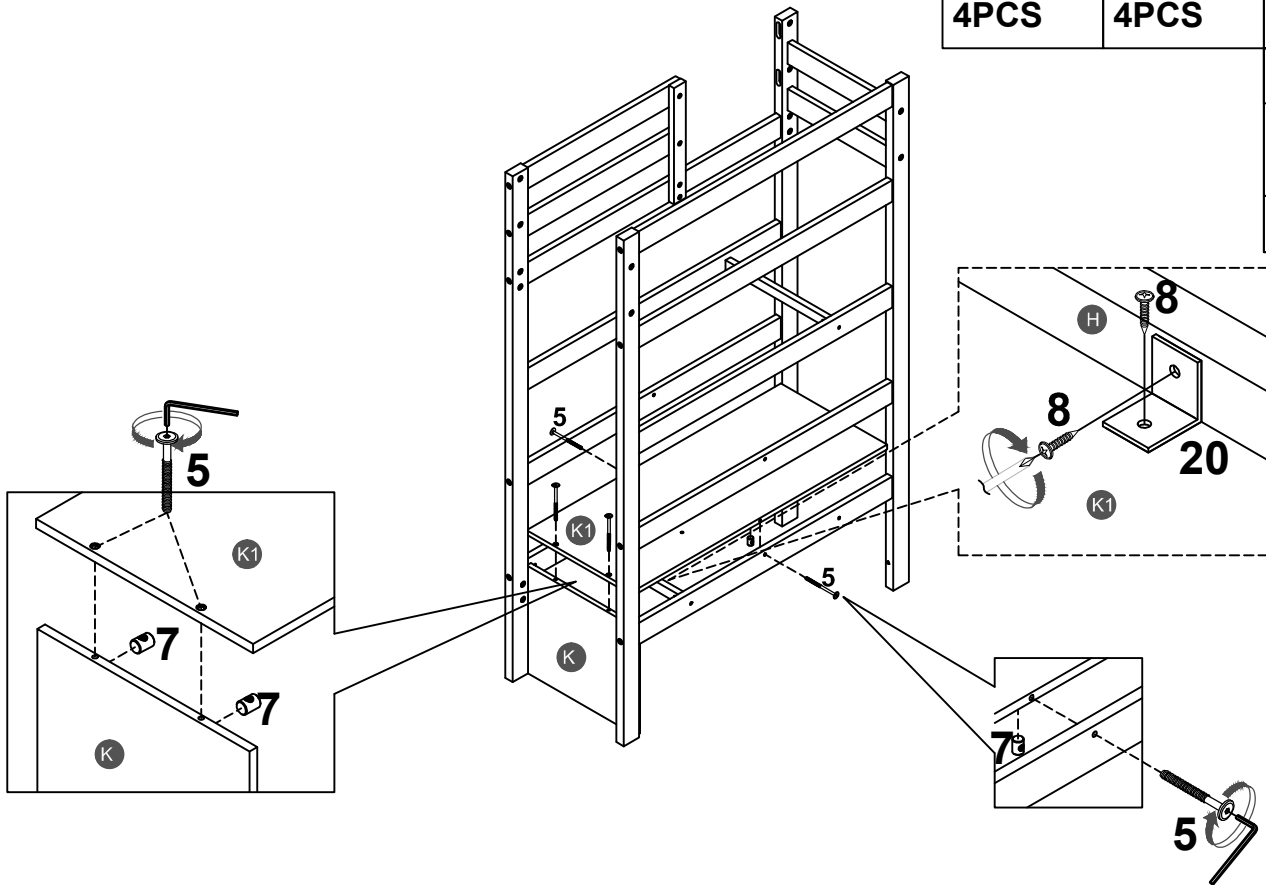
<b>17</b> 
<b>1PC</b>



**STEP 4:**



**Type 2**

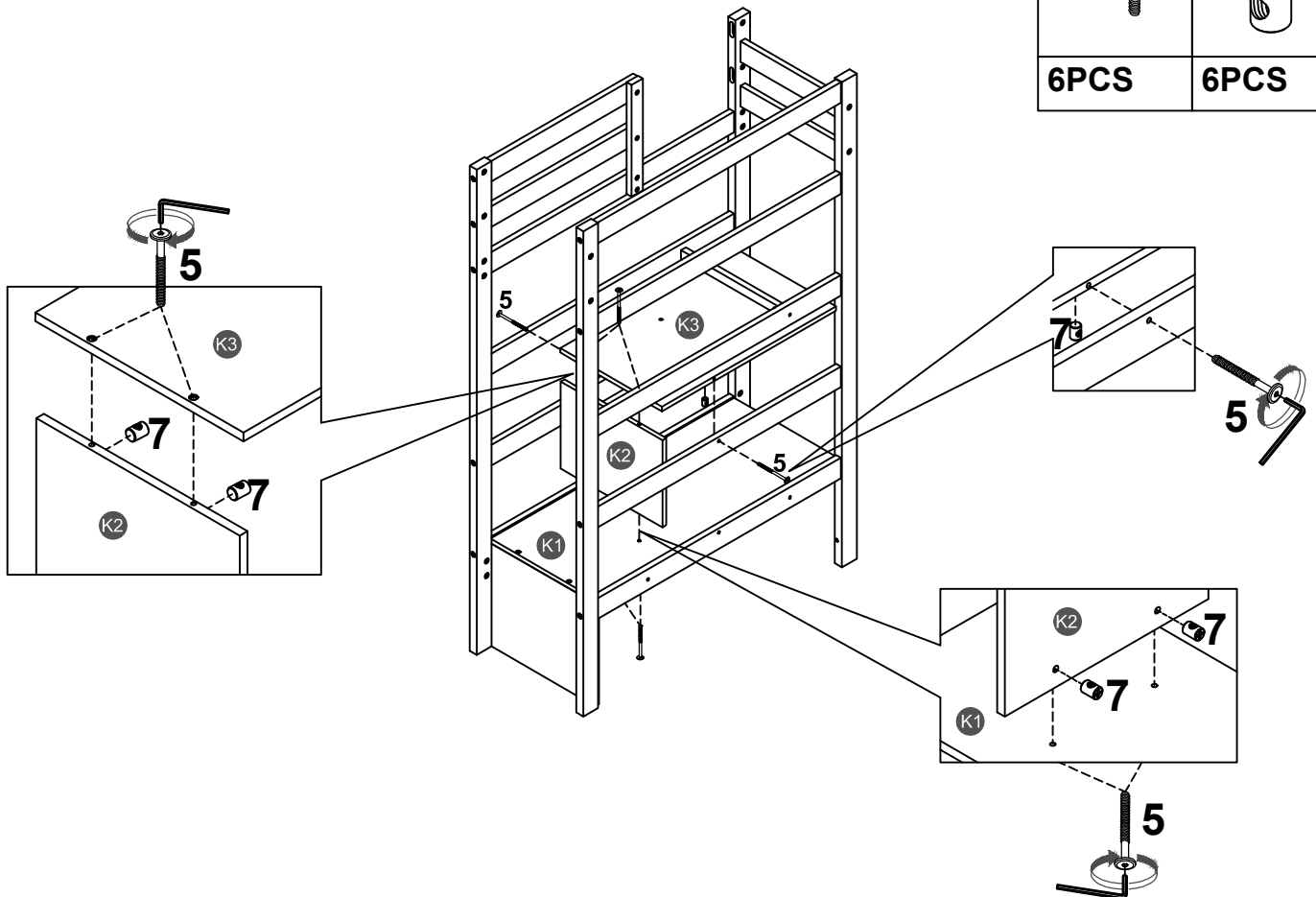
<b>5</b>		<b>7</b>		<b>8</b>	
<b>4PCS</b>		<b>4PCS</b>		<b>2PCS</b>	
					<b>20</b>
					
					<b>1PC</b>



**STEP 5:**





**Type 2**

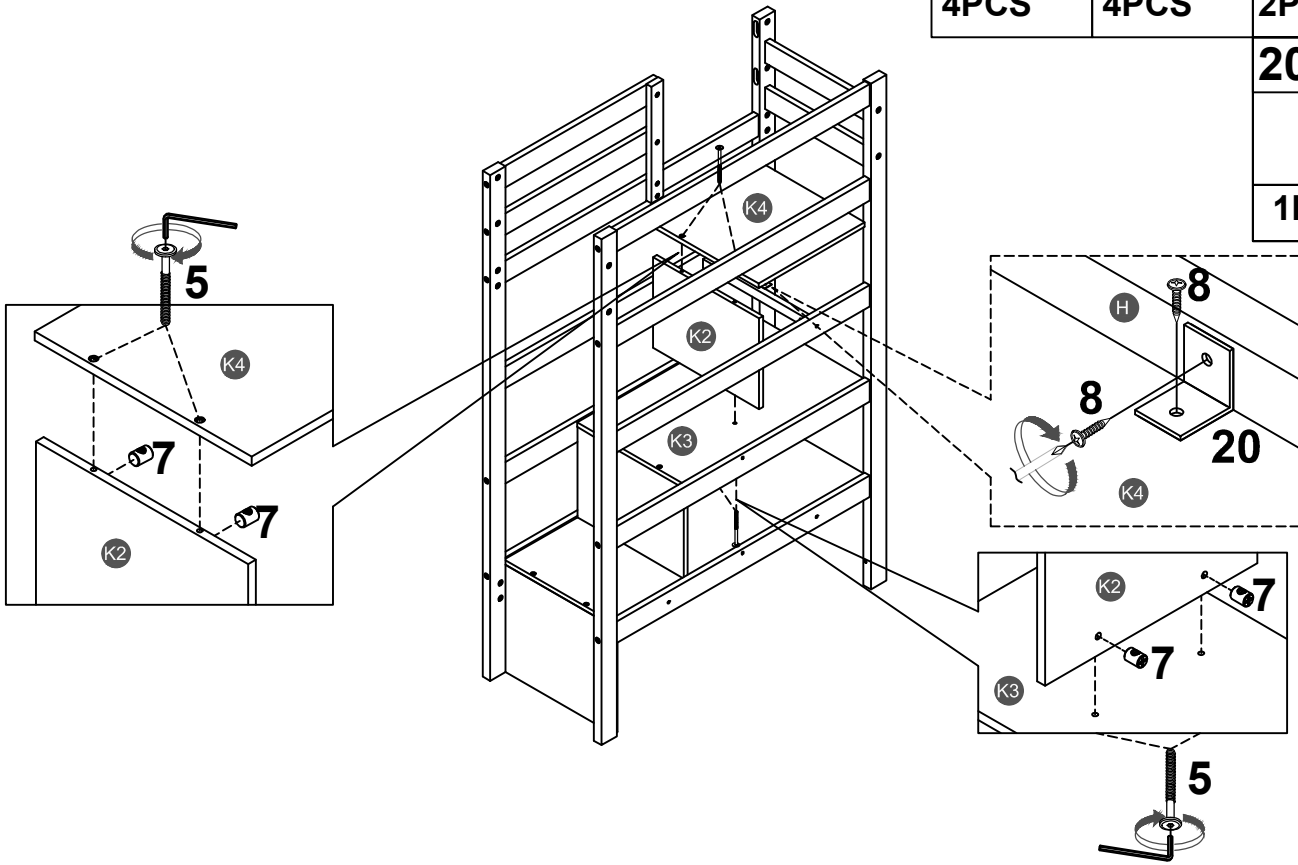
<b>5</b>		<b>7</b>	
<b>6PCS</b>		<b>6PCS</b>	



STEP 6:


Type 2

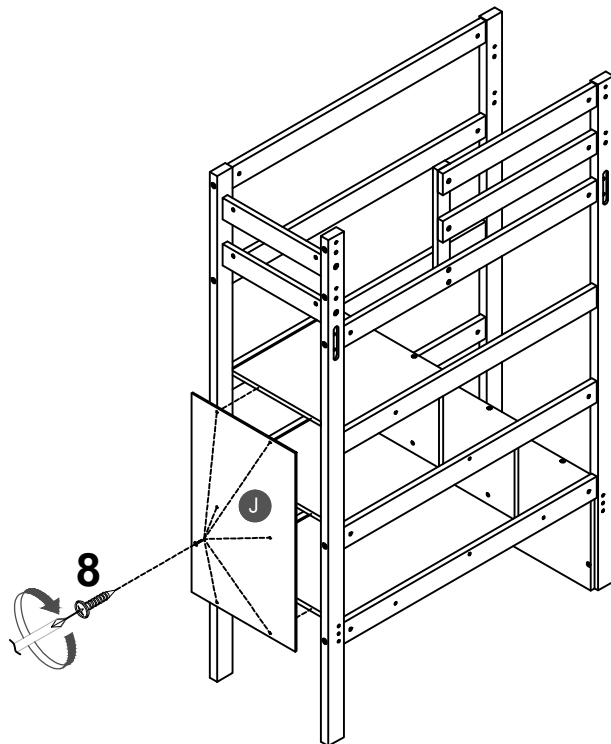
<b>5</b> 	<b>7</b> 	<b>8</b> 
<b>4PCS</b>	<b>4PCS</b>	<b>2PCS</b>
<b>20</b> 		
<b>1PC</b>		








STEP 7:

Type 2

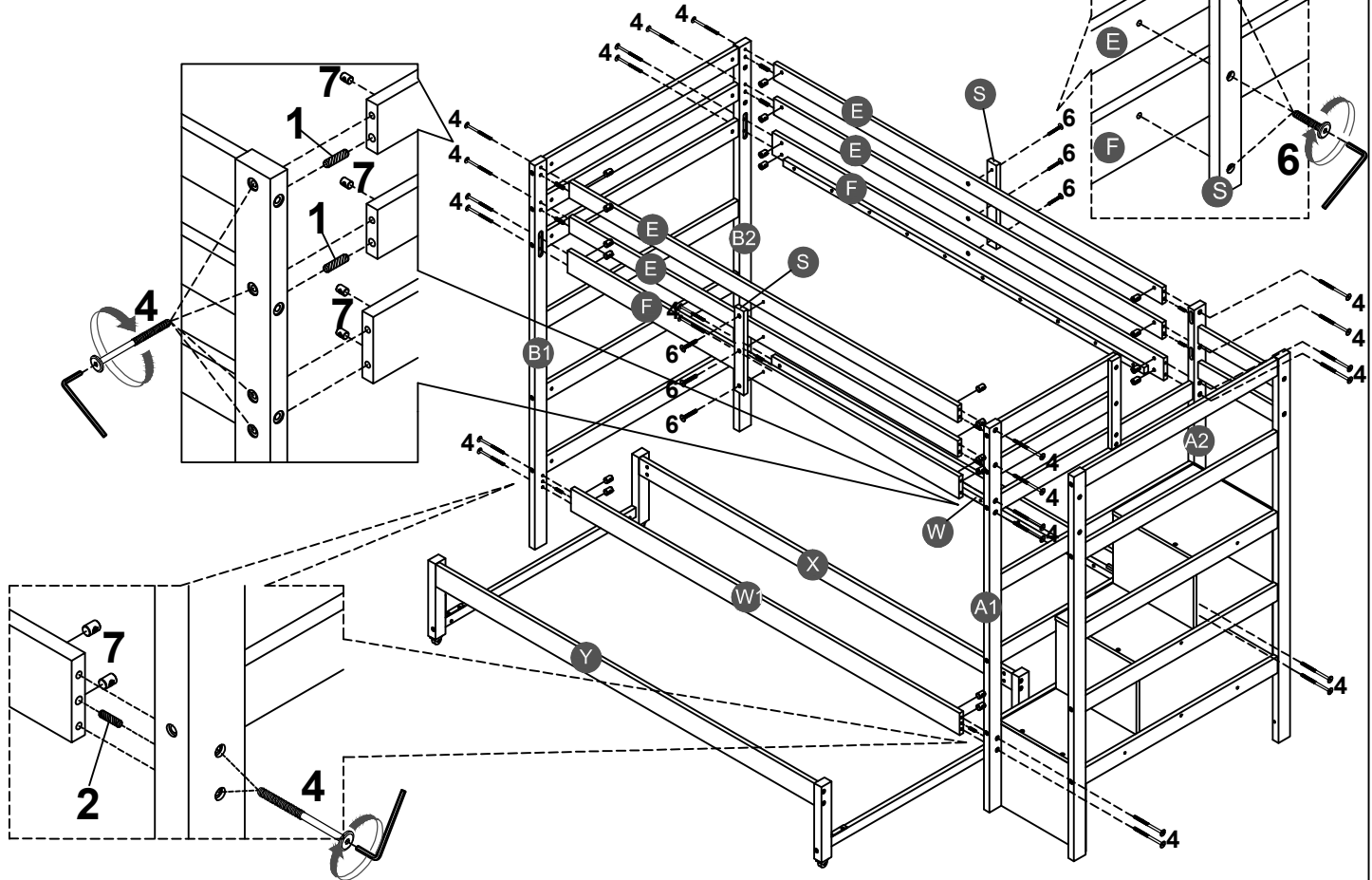
<b>8</b> 
<b>6PCS</b>



**STEP 13:**


<b>1</b> 	<b>2</b> 	<b>4</b> 	<b>6</b> 	<b>7</b> 
<b>8PCS</b>	<b>4PCS</b>	<b>24PCS</b>	<b>6PCS</b>	<b>24PCS</b>

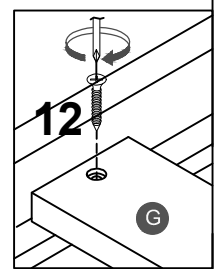
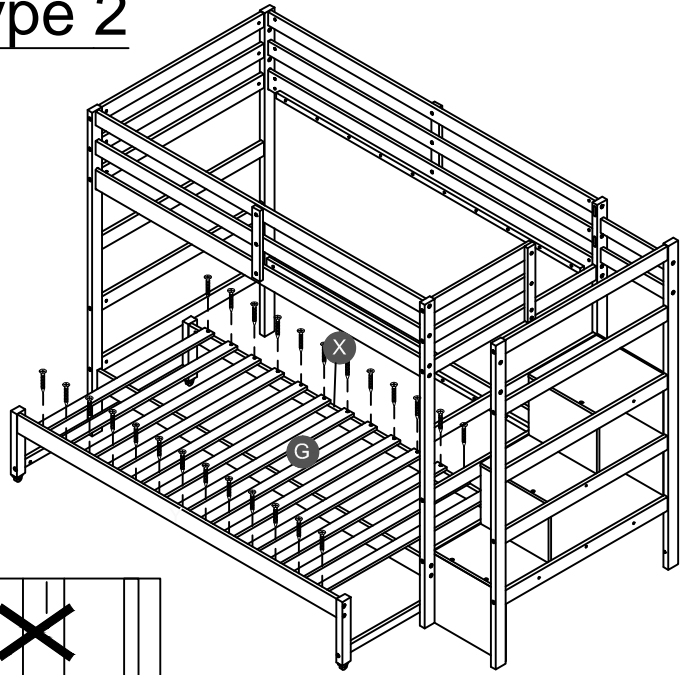
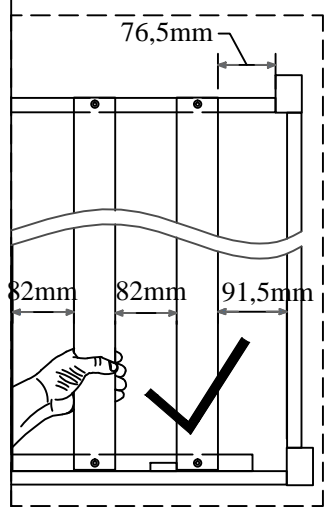
**Type 2**



**STEP 14:**

**Type 2**

<b>12</b> 
<b>26PCS</b>



Note: Do not lock the screws of the bed slats to the outermost edge of the bed slats, you need to leave a certain space at the edges, otherwise it will cause the board to break.  
Do not lock the bed slats on the edge of the wood, please hold firmly before screwing, hold it in place with one hand, then lock the screw.



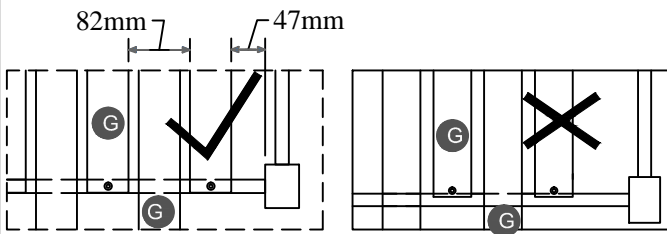
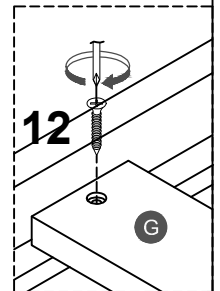
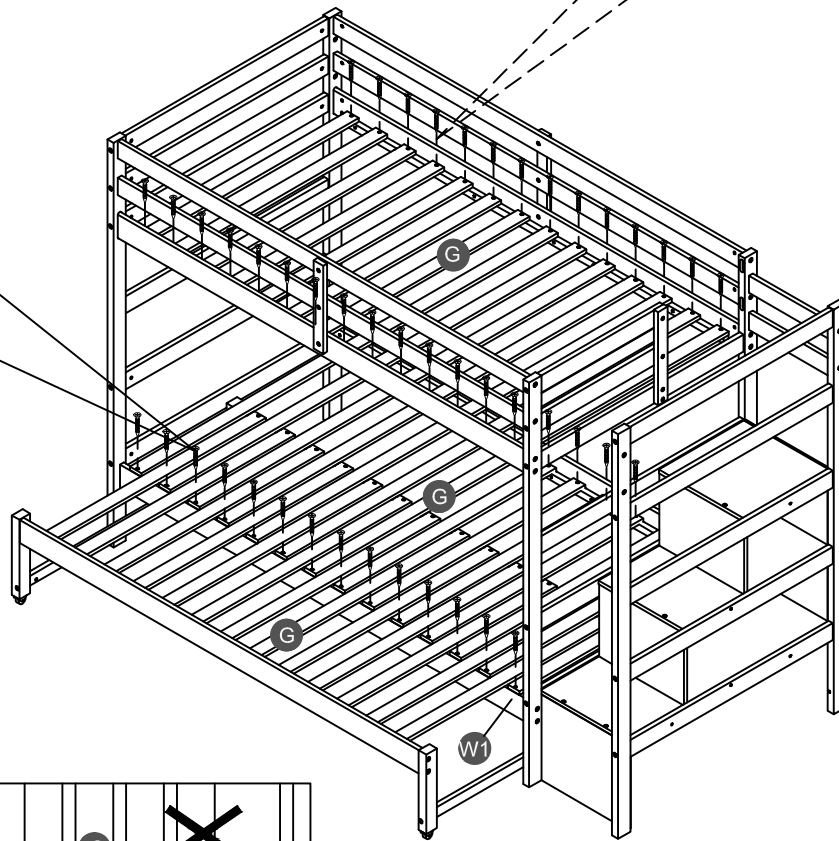
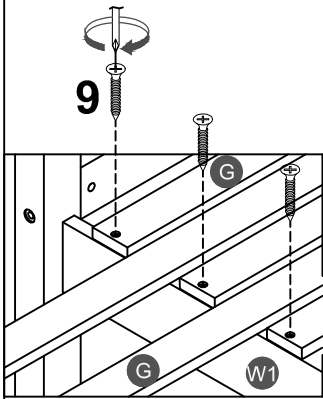
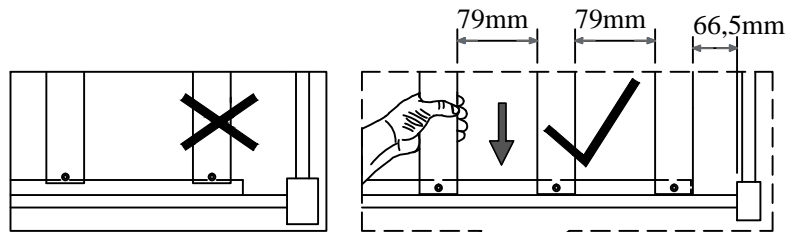
# STEP 15:

# Type 2

12



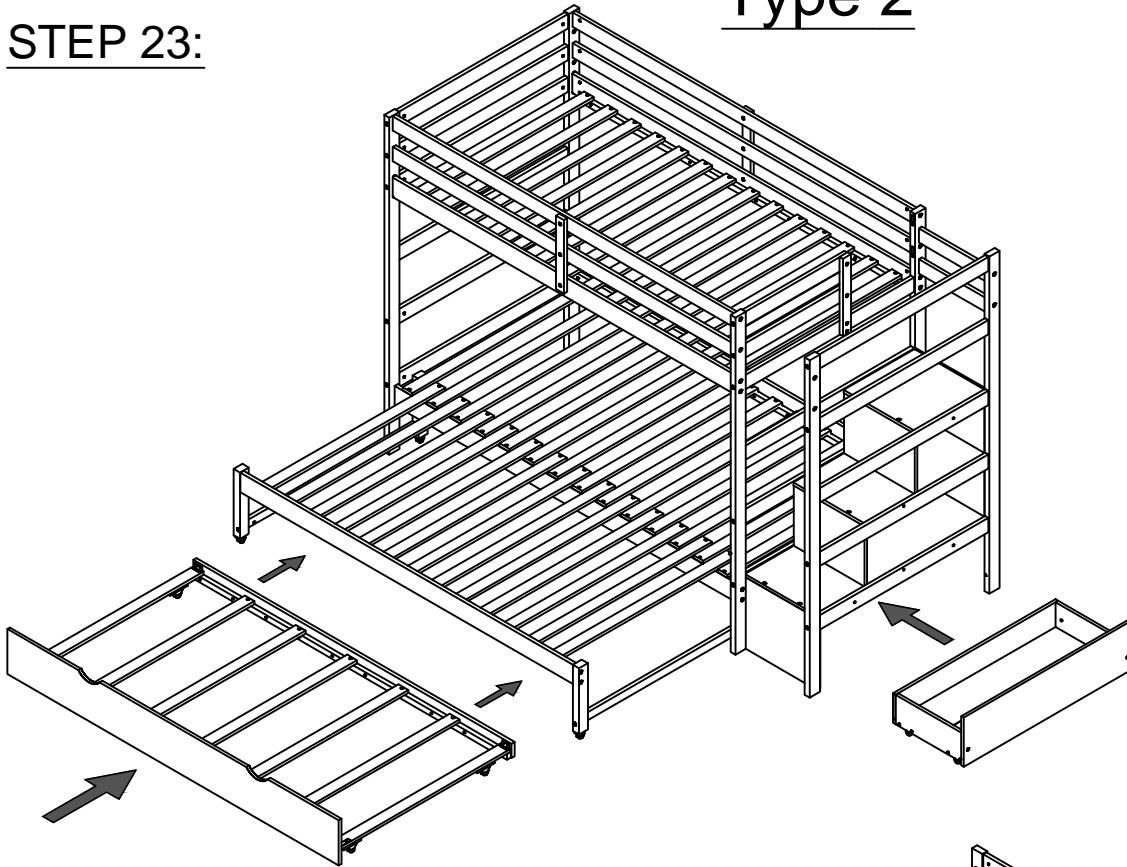
56PCS



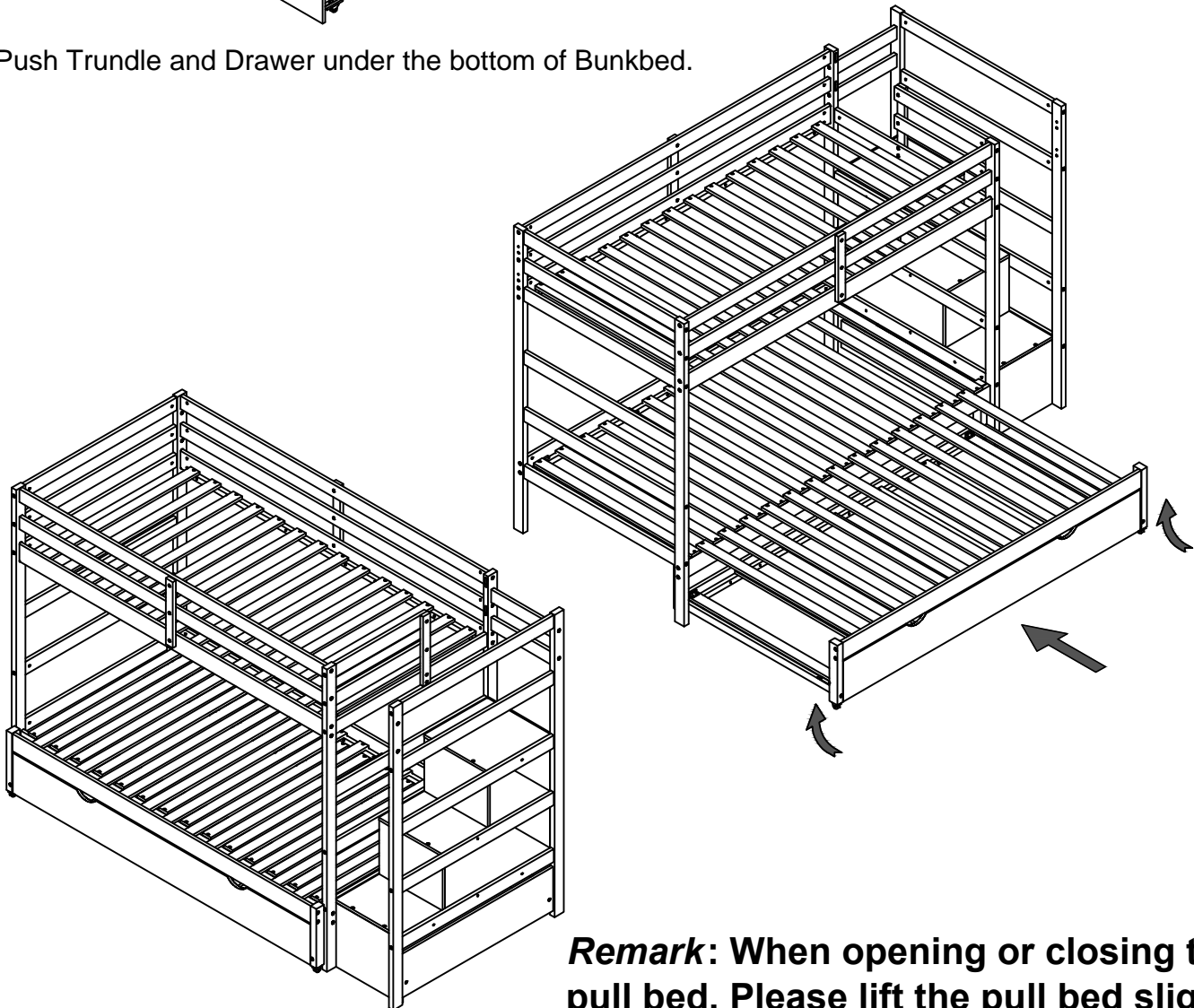
Note: Do not lock the screws of the bed slats to the outermost edge of the bed slats, you need to leave a certain space at the edges, otherwise it will cause the board to break.  
Do not lock the bed slats on the edge of the wood, please hold firmly before screwing, hold it in place with one hand, then lock the screw.

## Type 2

### STEP 23:



Push Trundle and Drawer under the bottom of Bunkbed.



**Remark:** When opening or closing the pull bed, Please lift the pull bed slightly before opening or closing it.