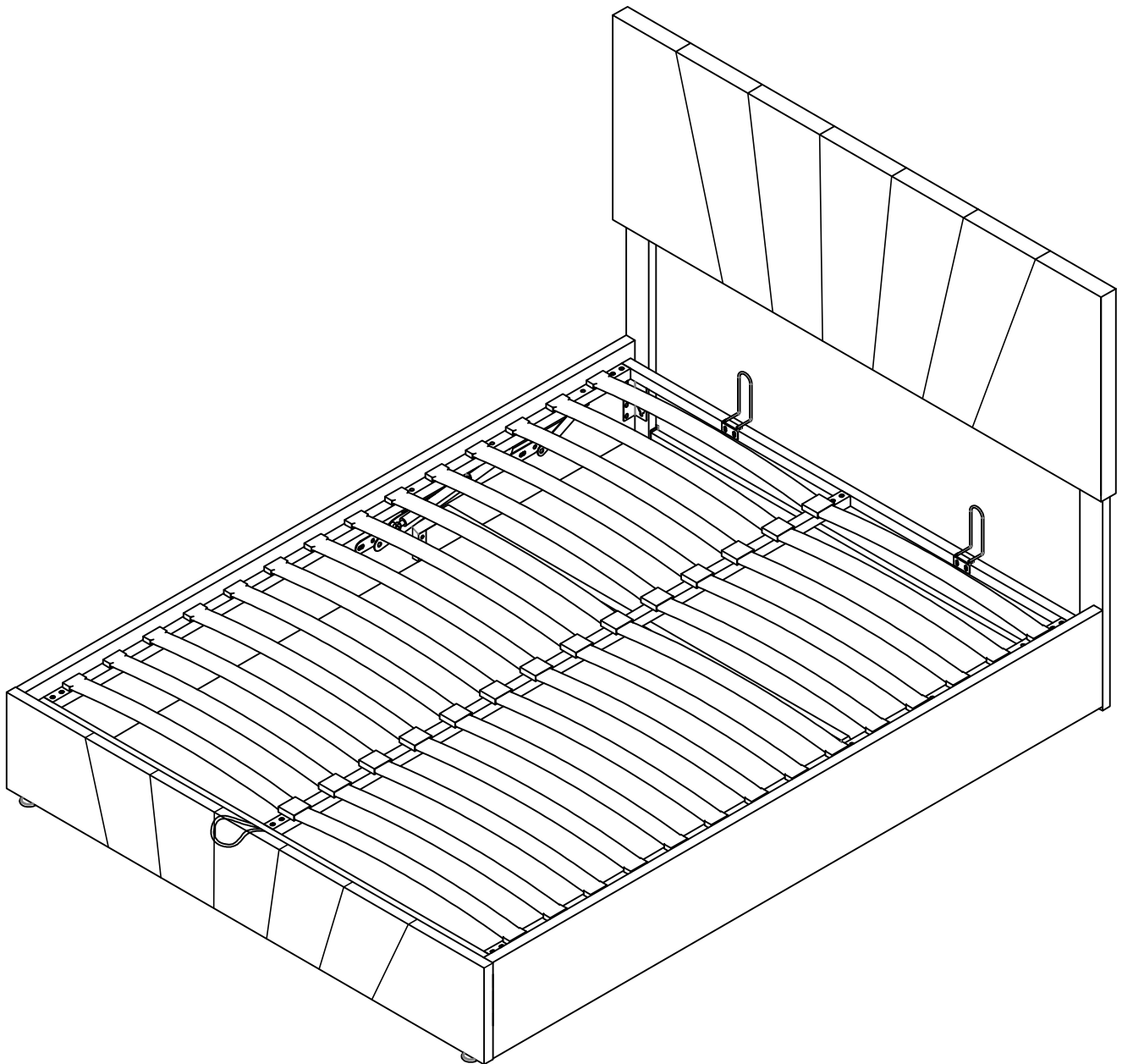


# Assembly Instruction

Please check that you have all the parts listed before you start assembling,if you do find that something is missing,do not continue assembly,please contact us immediately.

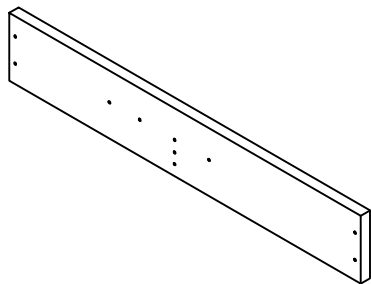
**NOTE:**Please do not completely tighten all the hardware until the entire assembly is complete!





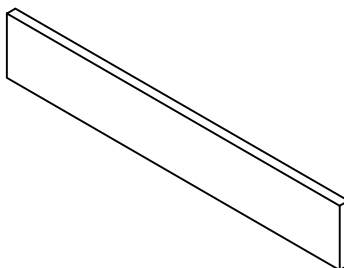
# Part list WF288663AAA/E

C1



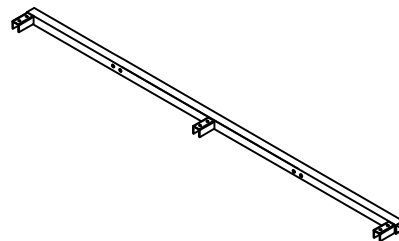
Facing customer  
Side Rail (R) - 1PC

C2



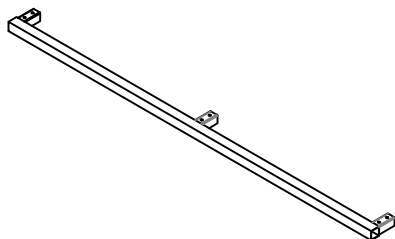
Facing customer  
Side Rail (L) - 1PC

F1



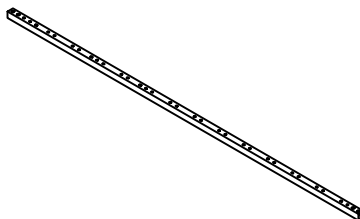
connect HB  
Front Rail - 1PC

F2



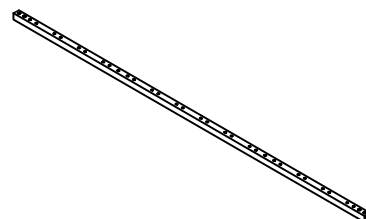
connect FB  
Back Rail - 1PC

G1



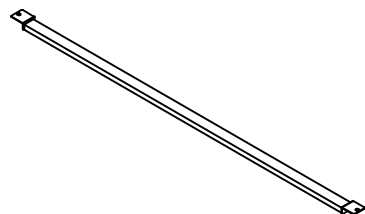
Side tube - 2PCS

G2



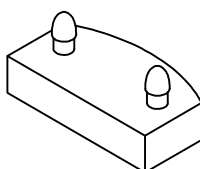
Middle Rail - 1PC

Hb



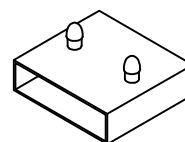
Bottom Rail - 1PC

O



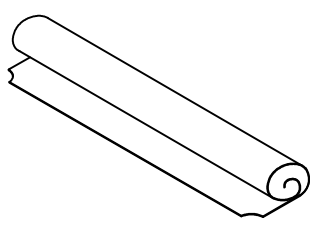
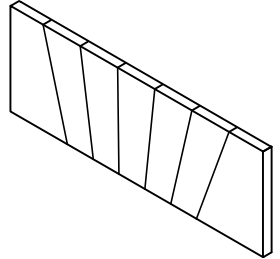
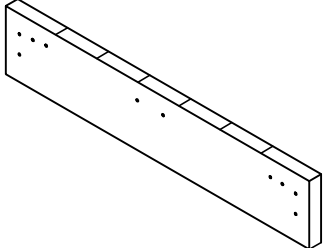
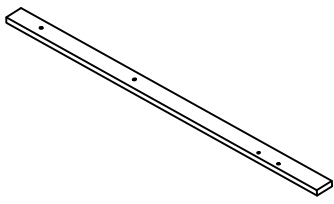
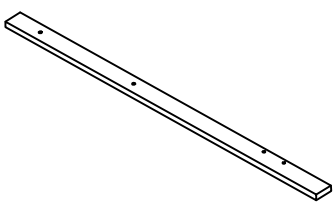
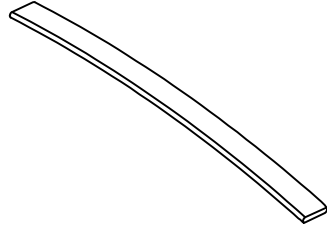
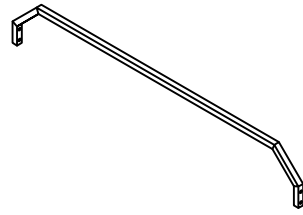
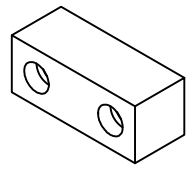
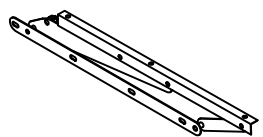
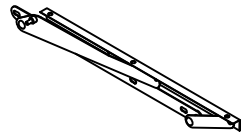
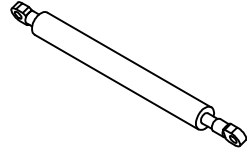
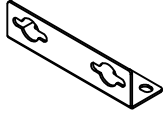
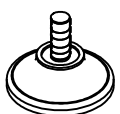
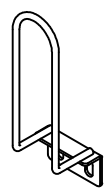

Plastic caps (Single) - 28PCS

P

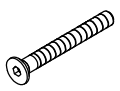
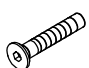





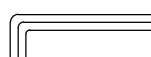
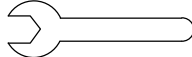


Plastic caps (Double) - 14PCS



# Part list WF288664AAA/E

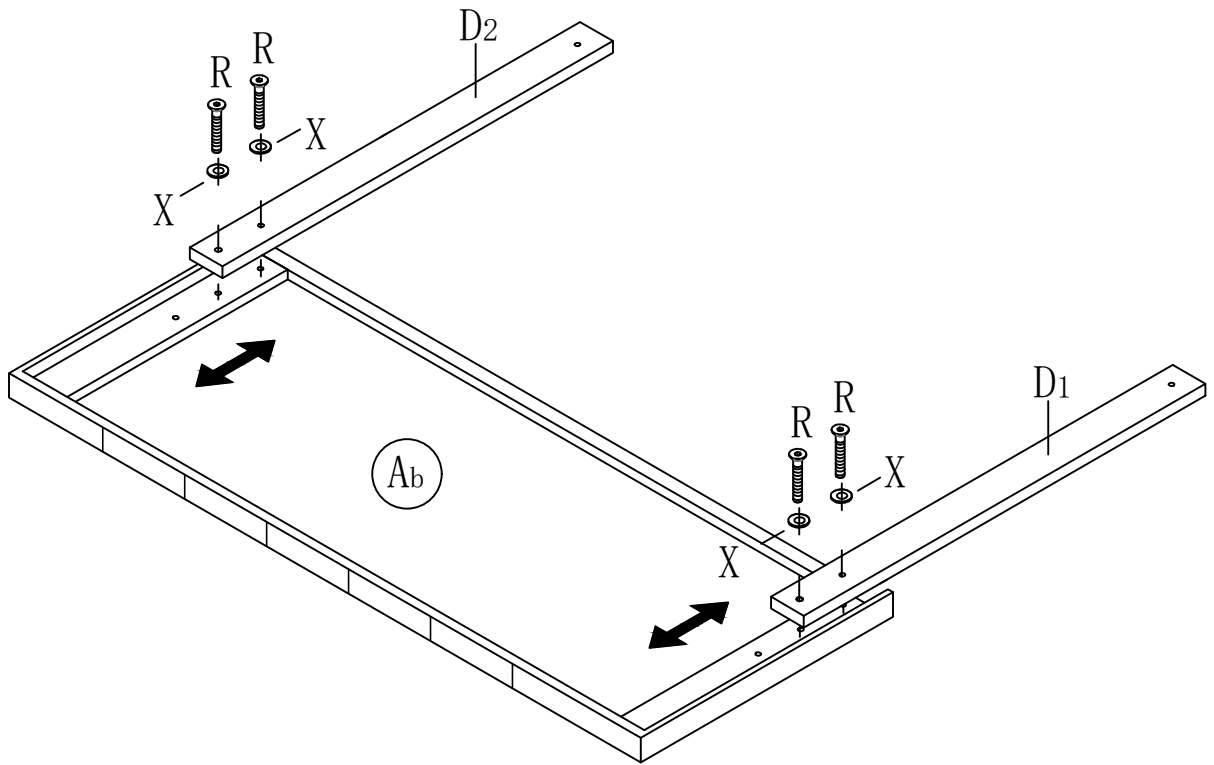
<p><b>Aa</b></p>  <p>Non-woven Fabric-1PC</p>	<p><b>Ab</b></p>  <p>Headboard-1PC</p>	<p><b>B</b></p>  <p>Footboard-1PC</p>	<p><b>D1</b></p>  <p>Leg Headboard (R)-1PC</p>
<p><b>D2</b></p>  <p>Leg Headboard (L)-1PC</p>	<p><b>E</b></p>  <p>Slat-28PCS</p>	<p><b>Ha</b></p>  <p>Bar Rail-1PC</p>	<p><b>I</b></p>  <p>Plastic Block-3PCS</p>
<p><b>J1</b></p>  <p>Hydraulic (L)-1PC</p>	<p><b>J2</b></p>  <p>Hydraulic (R)-1PC</p>	<p><b>K</b></p>  <p>Hydraulic Bar-2PCS</p>	<p><b>L</b></p>  <p>Indices "L"-4PCS</p>
<p><b>M</b></p>  <p>Legs-2PCS</p>	<p><b>N</b></p>  <p>Block Bar-2PCS</p>	<p><b>Q</b></p>  <p>Straps-1PC</p>	

# Hardware list WF288664AAA/E

<p><b>R</b></p>  <p>M8*50mm 10PCS</p>	<p><b>S</b></p>  <p>M8*45mm 14PCS</p>	<p><b>T</b></p>  <p>M8*25mm 26PCS</p>	<p><b>U</b></p>  <p>M8*18mm 12PCS</p>	<p><b>V</b></p>  <p>M8 14PCS</p>
<p><b>W</b></p>  <p>Ø17*Ø8.5 6PCS</p>	<p><b>X</b></p>  <p>Ø22*Ø8.5 4PCS</p>	<p><b>Y</b></p>  <p>M8 1PC</p>	<p><b>Z</b></p>  <p>M8 1PC</p>	


# step1

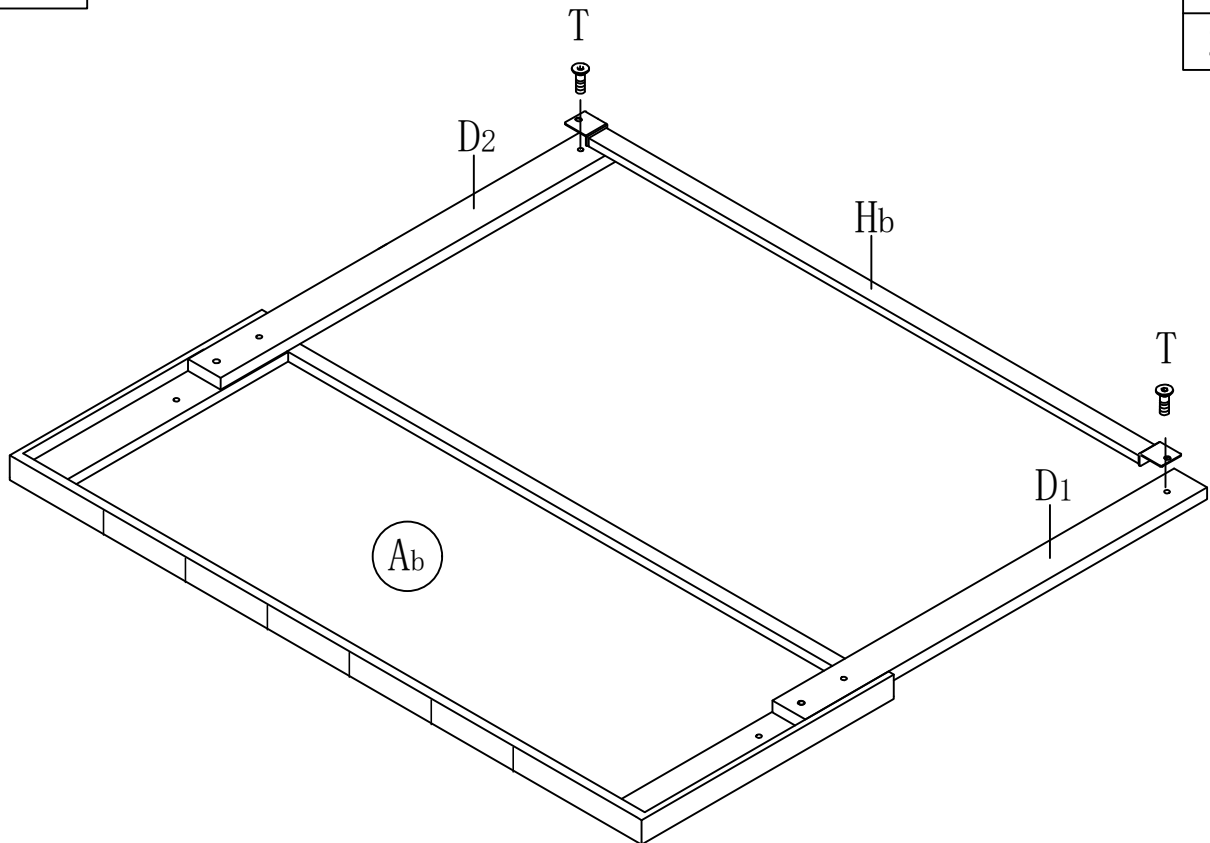
R		X	
4PCS		4PCS	



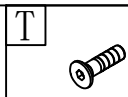
**Headboard height is adjustable**

# step2

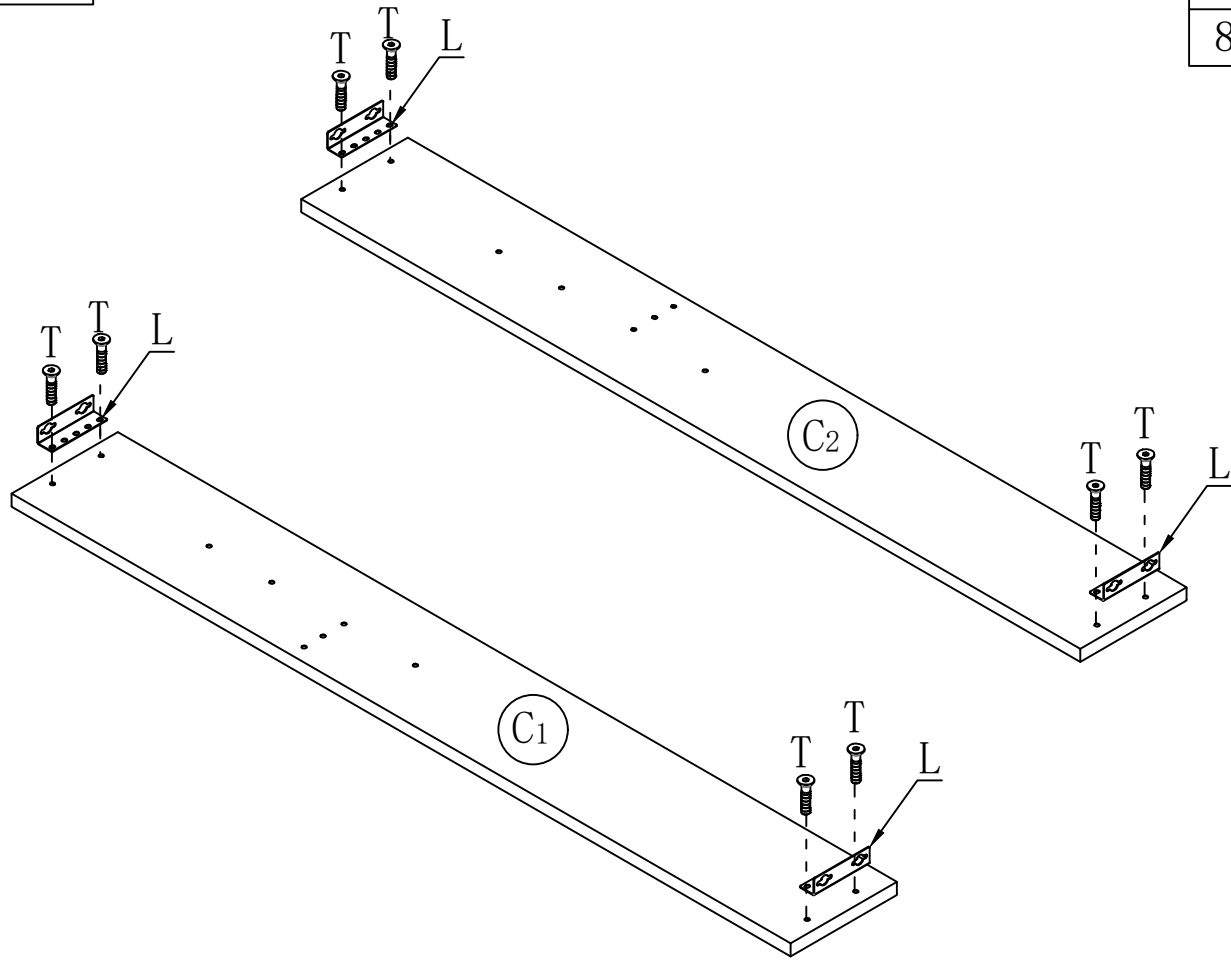
T	
2PCS	



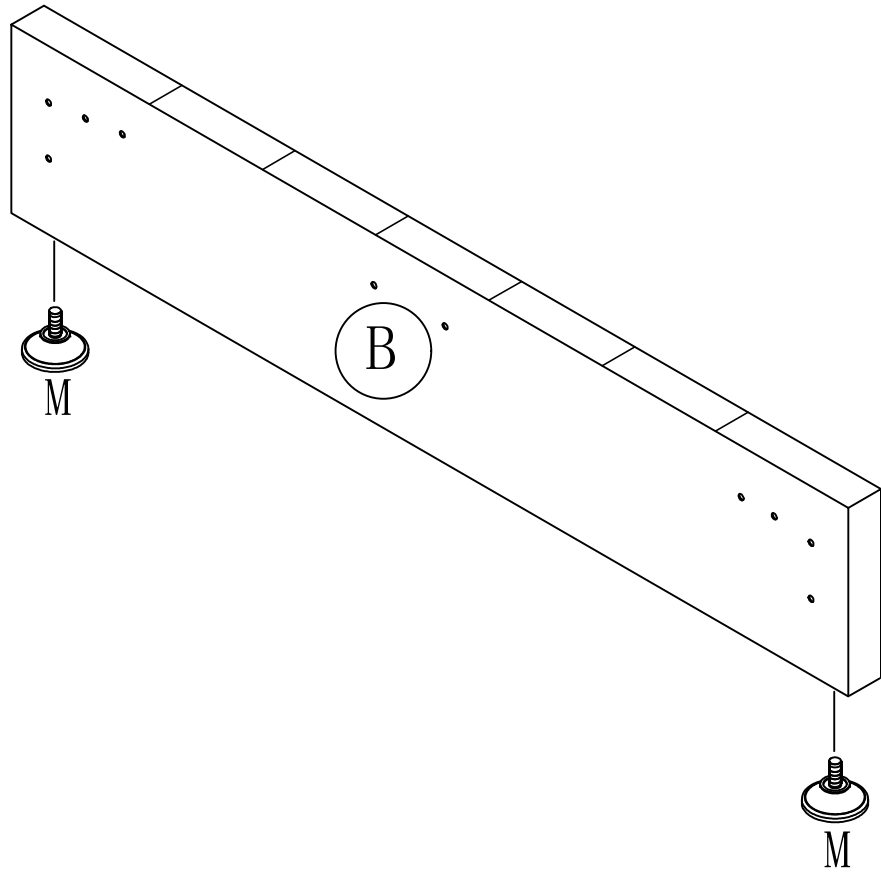
# step3



8PCS



# step4

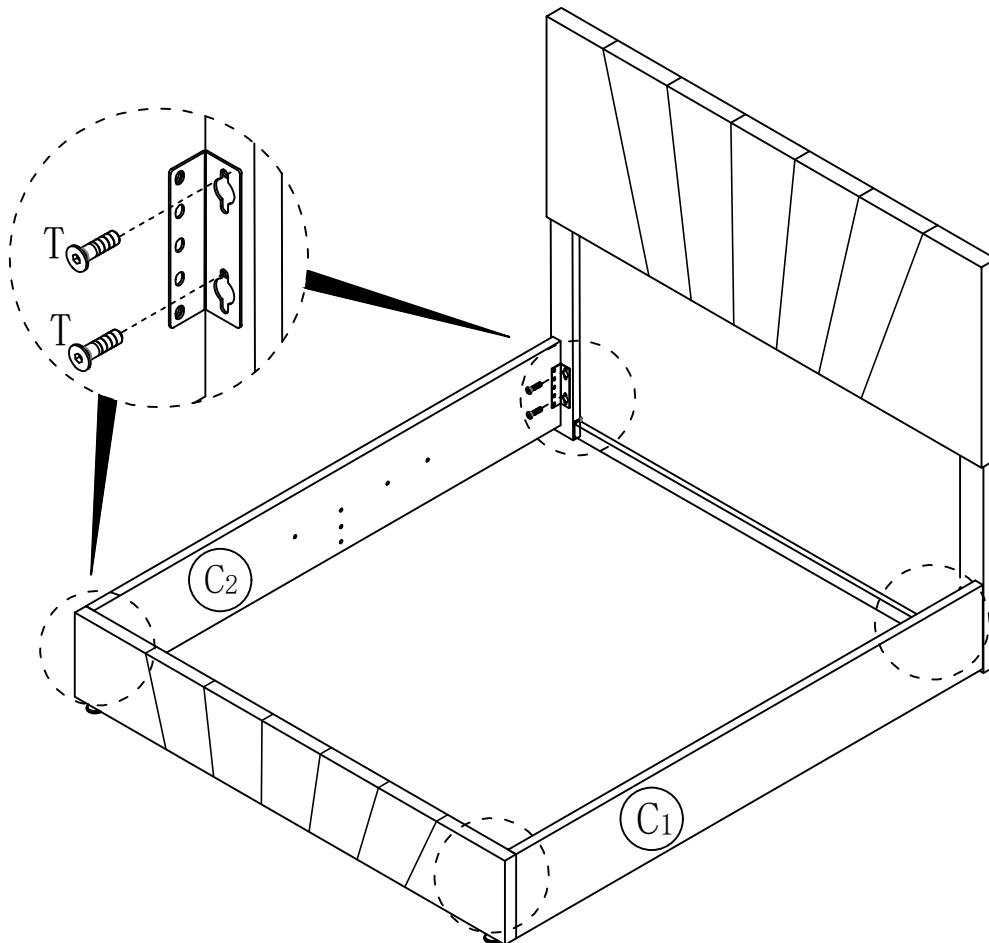


# step5

T



8PCS



# step6

R

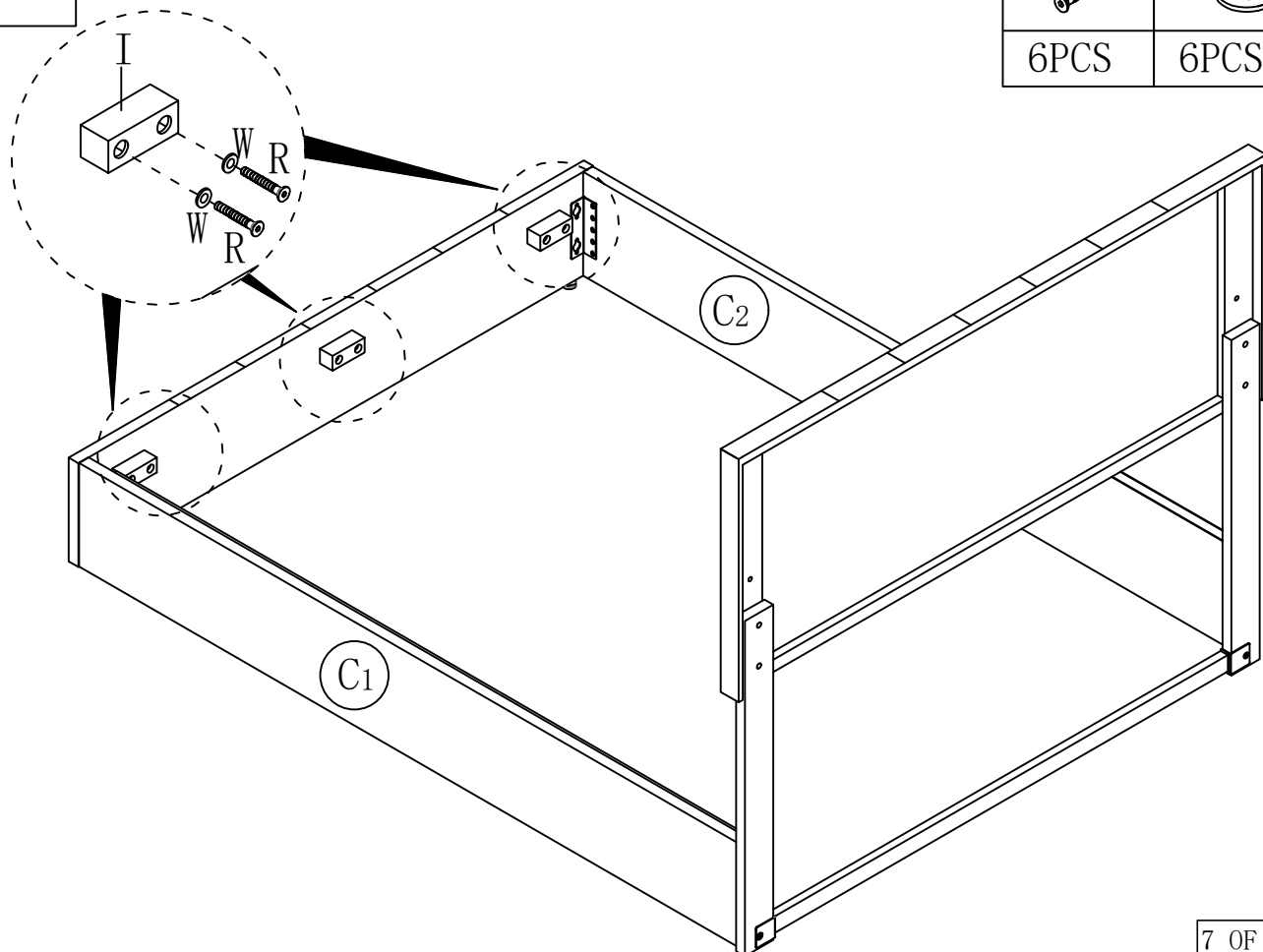


6PCS

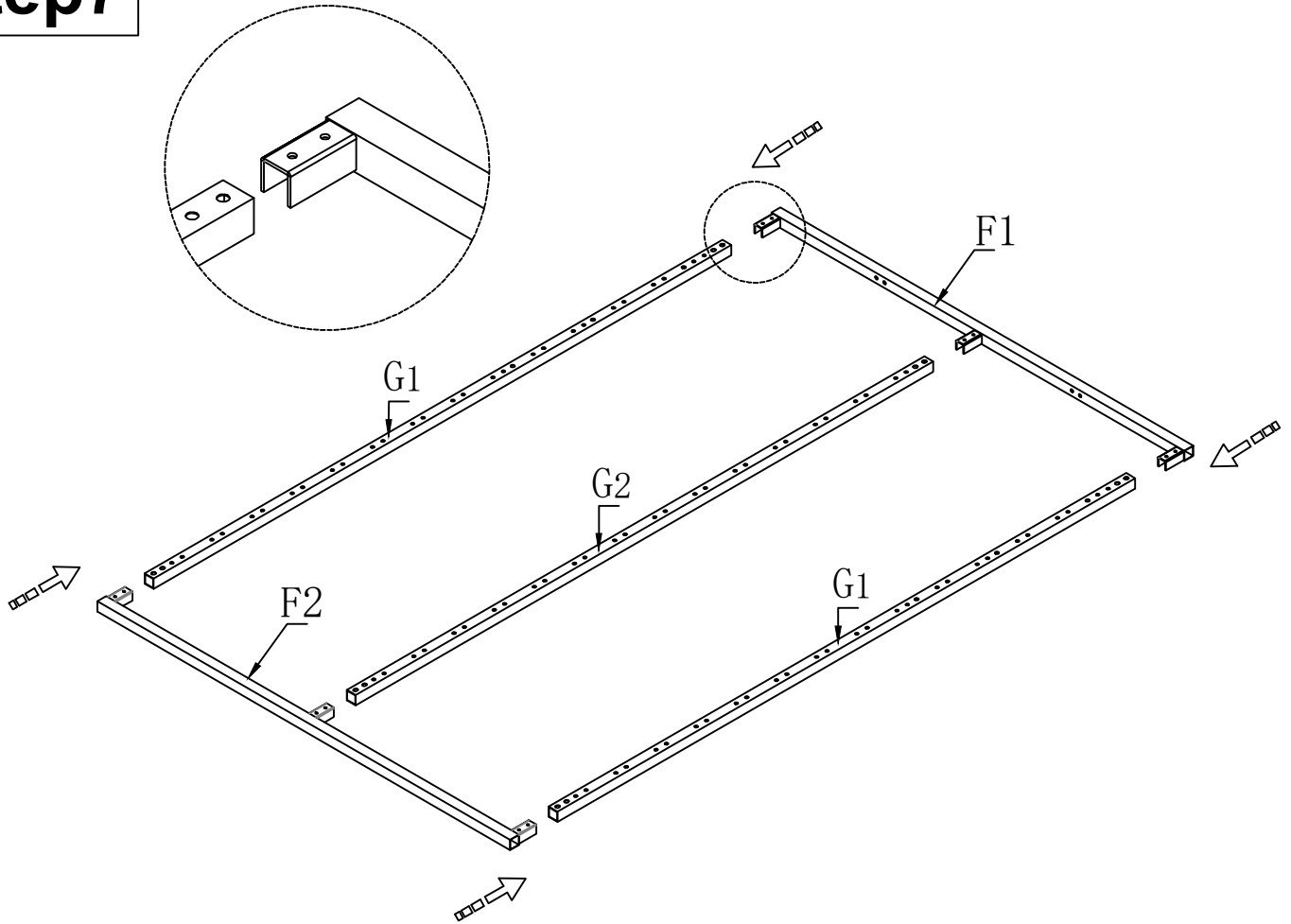
W



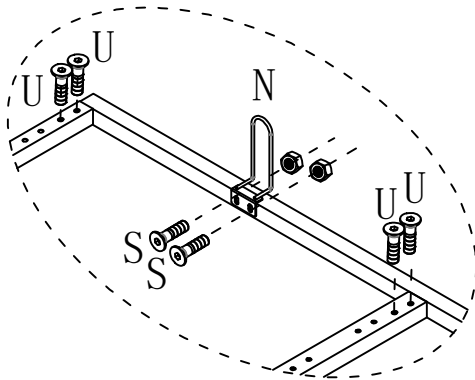
6PCS






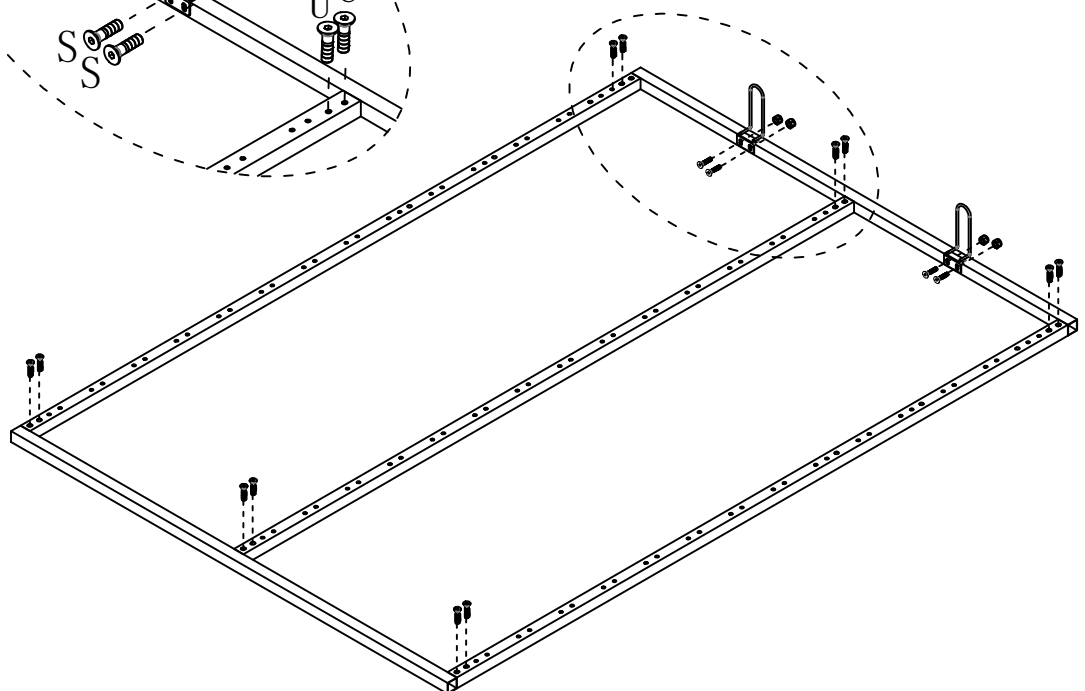
# step7



# step8



S	U	V
		
4PCS	12PCS	4PCS



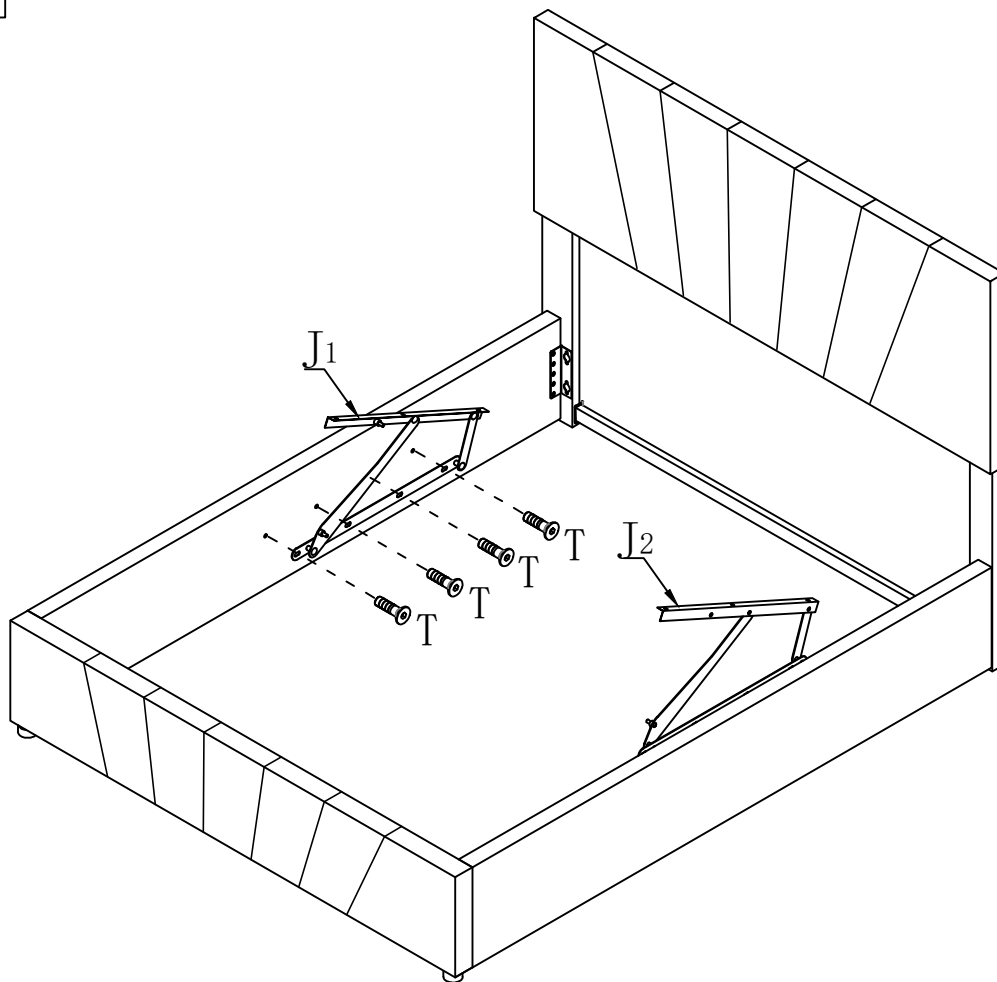


# step9

T



8PCS

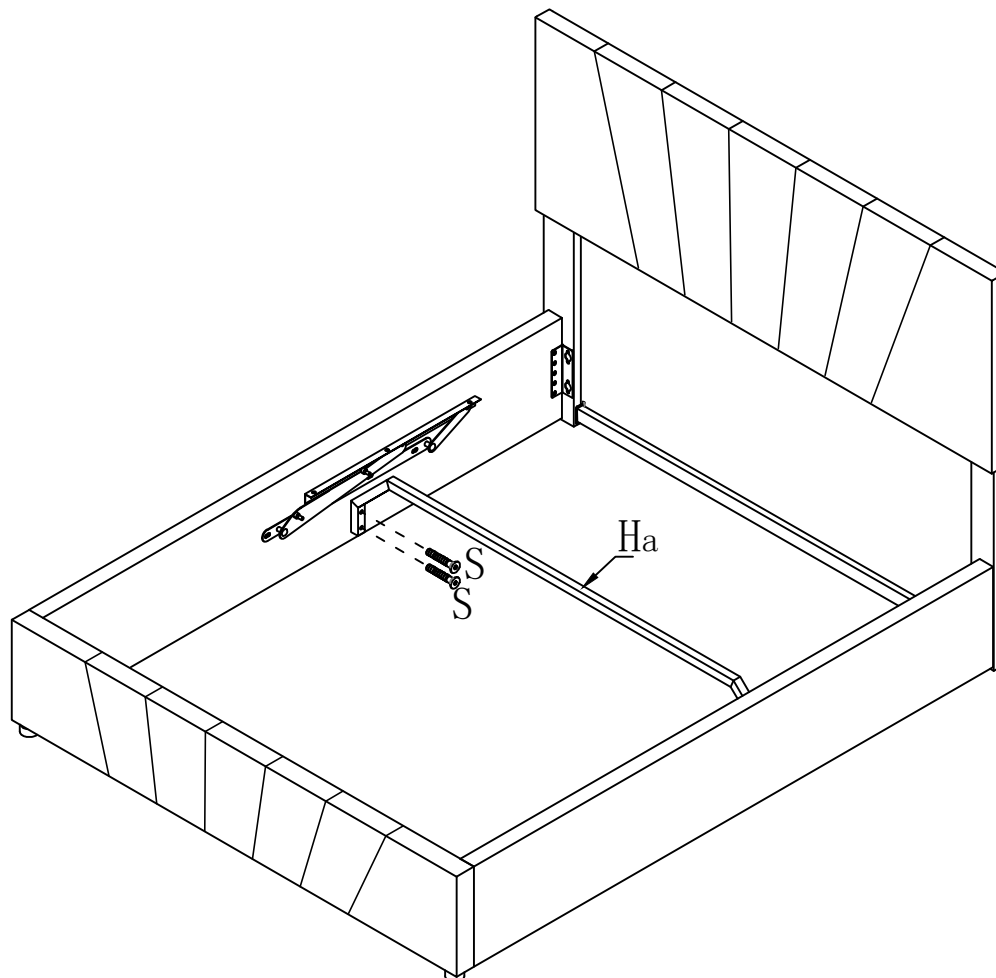


# step10



S

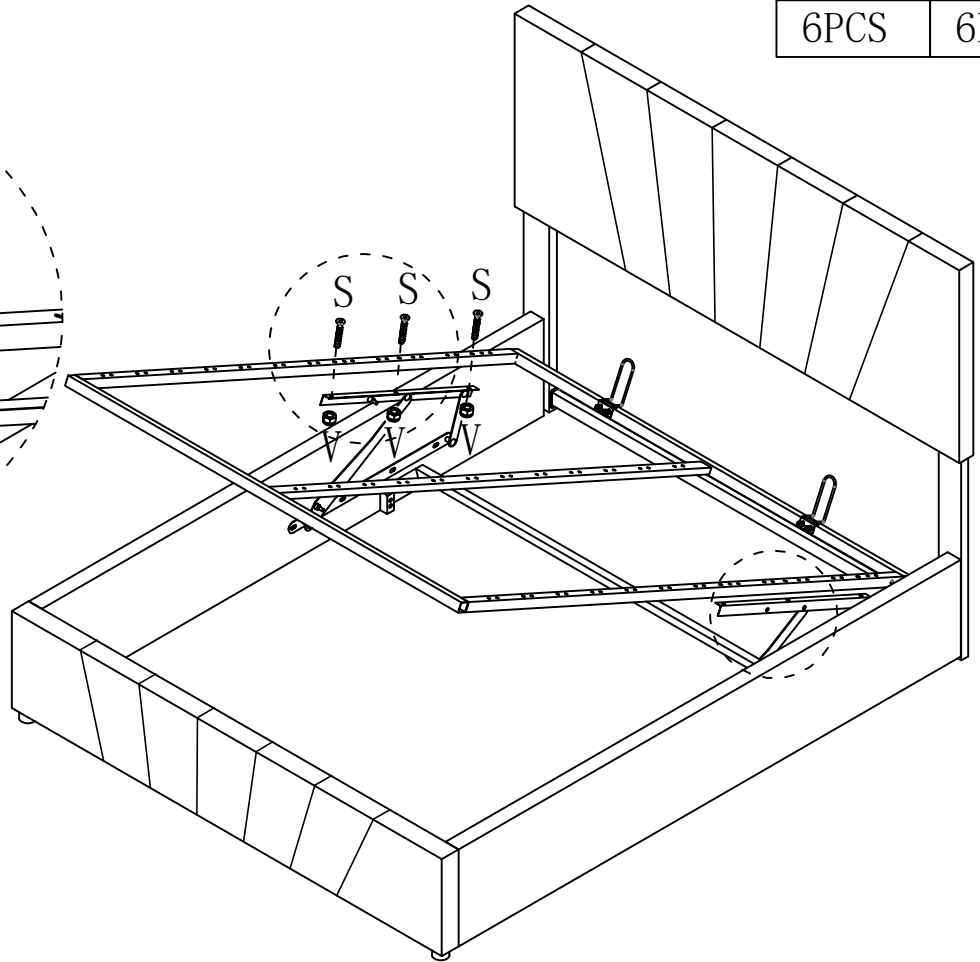
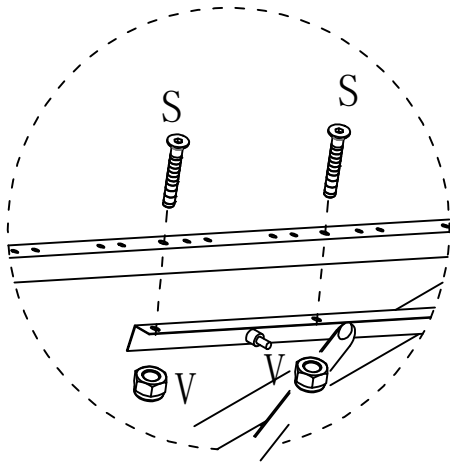


4PCS





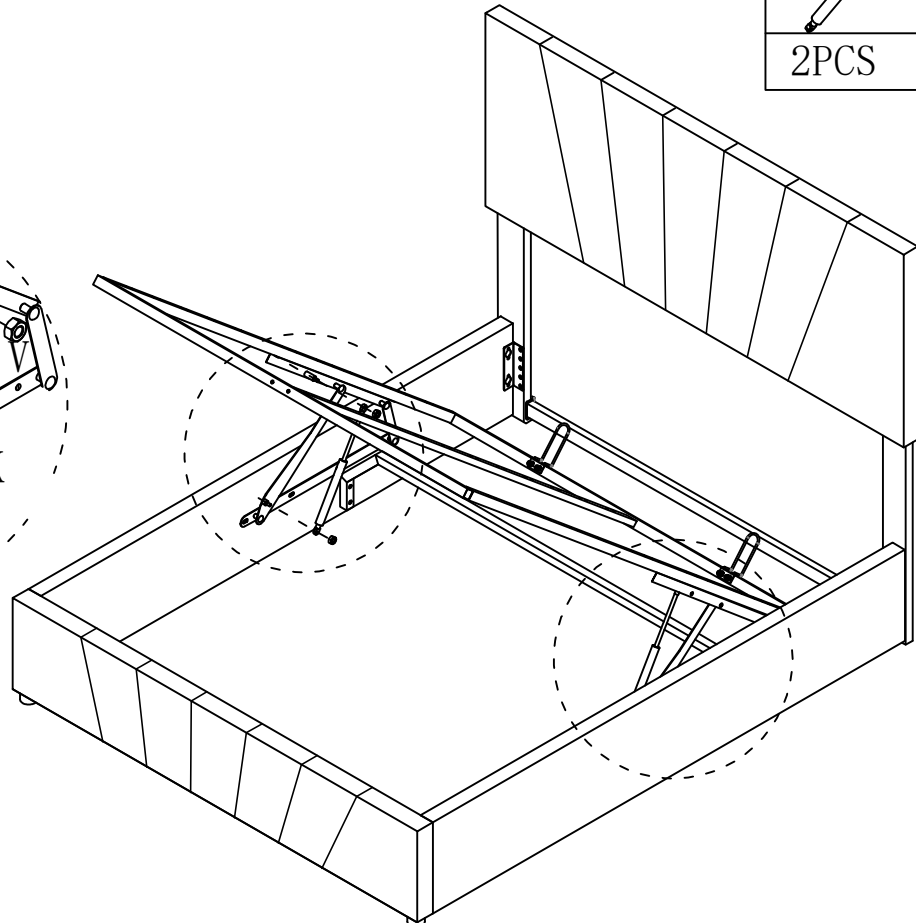
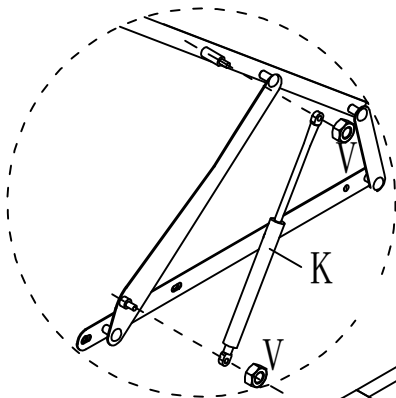
# step11

S	V
	
6PCS	6PCS

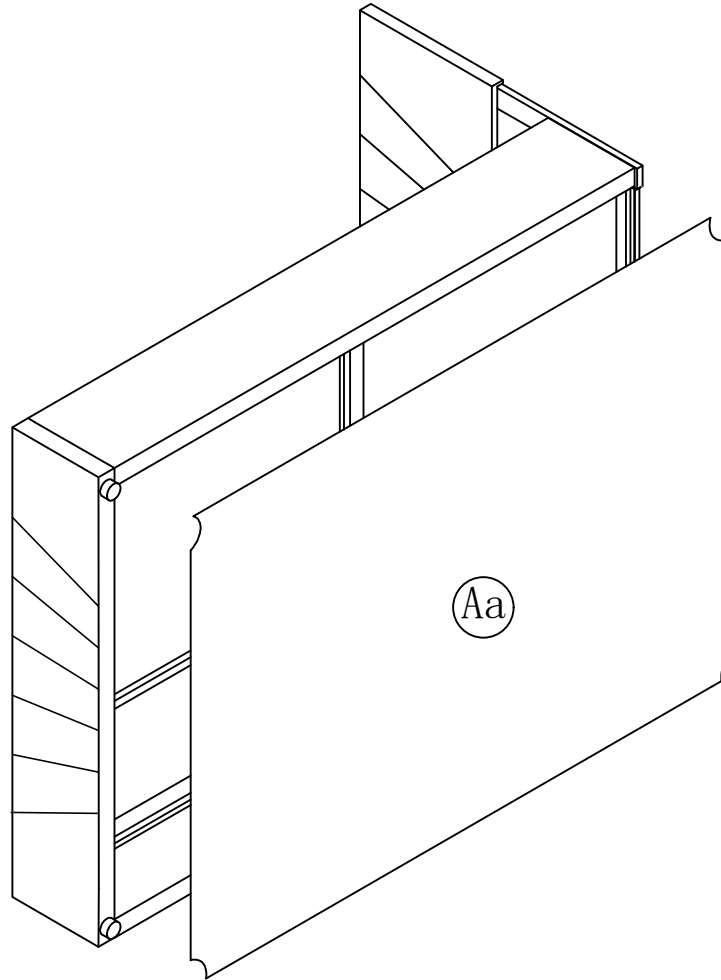


# step12

K	V
	
2PCS	4PCS



# step13



# step14

