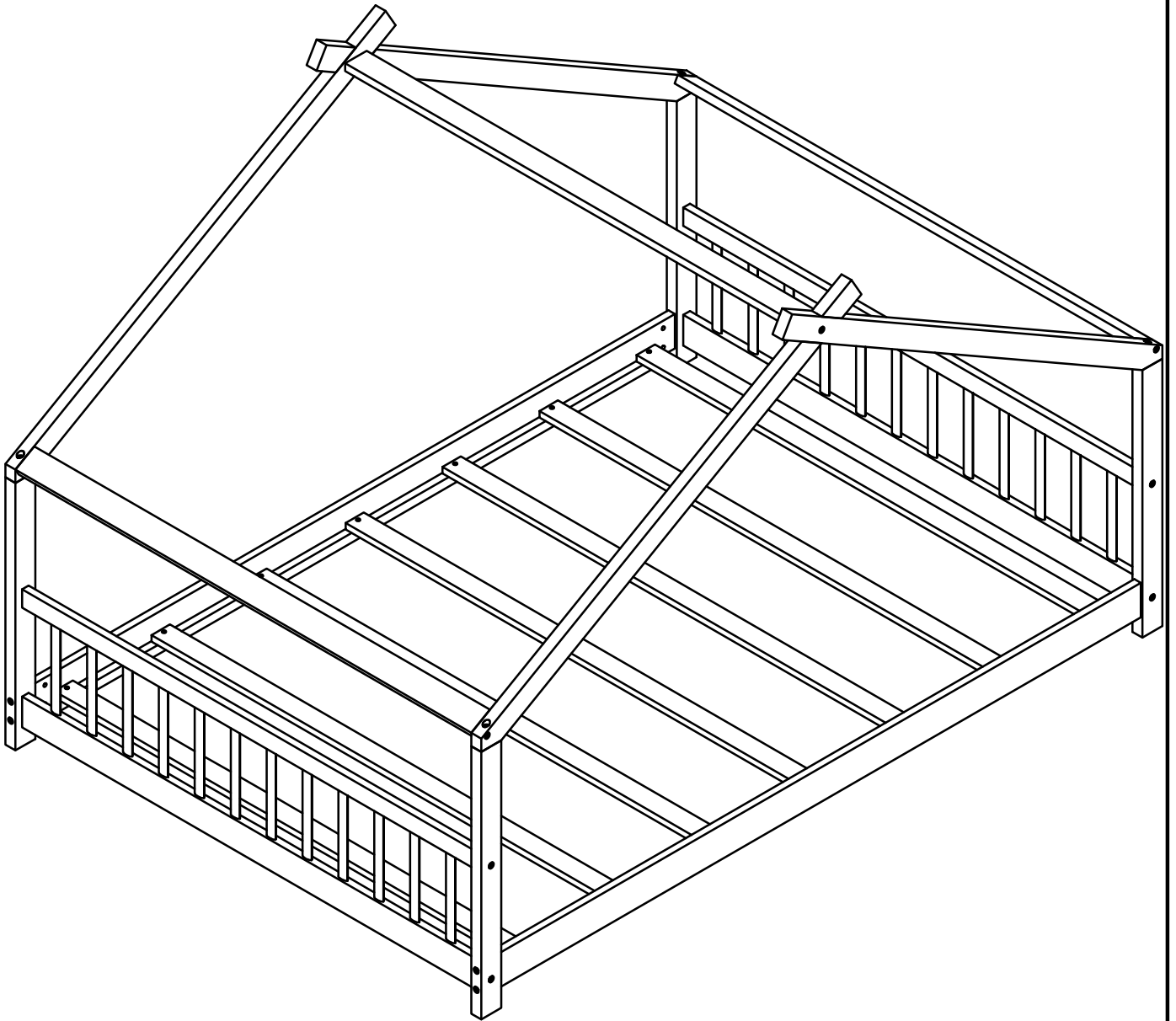
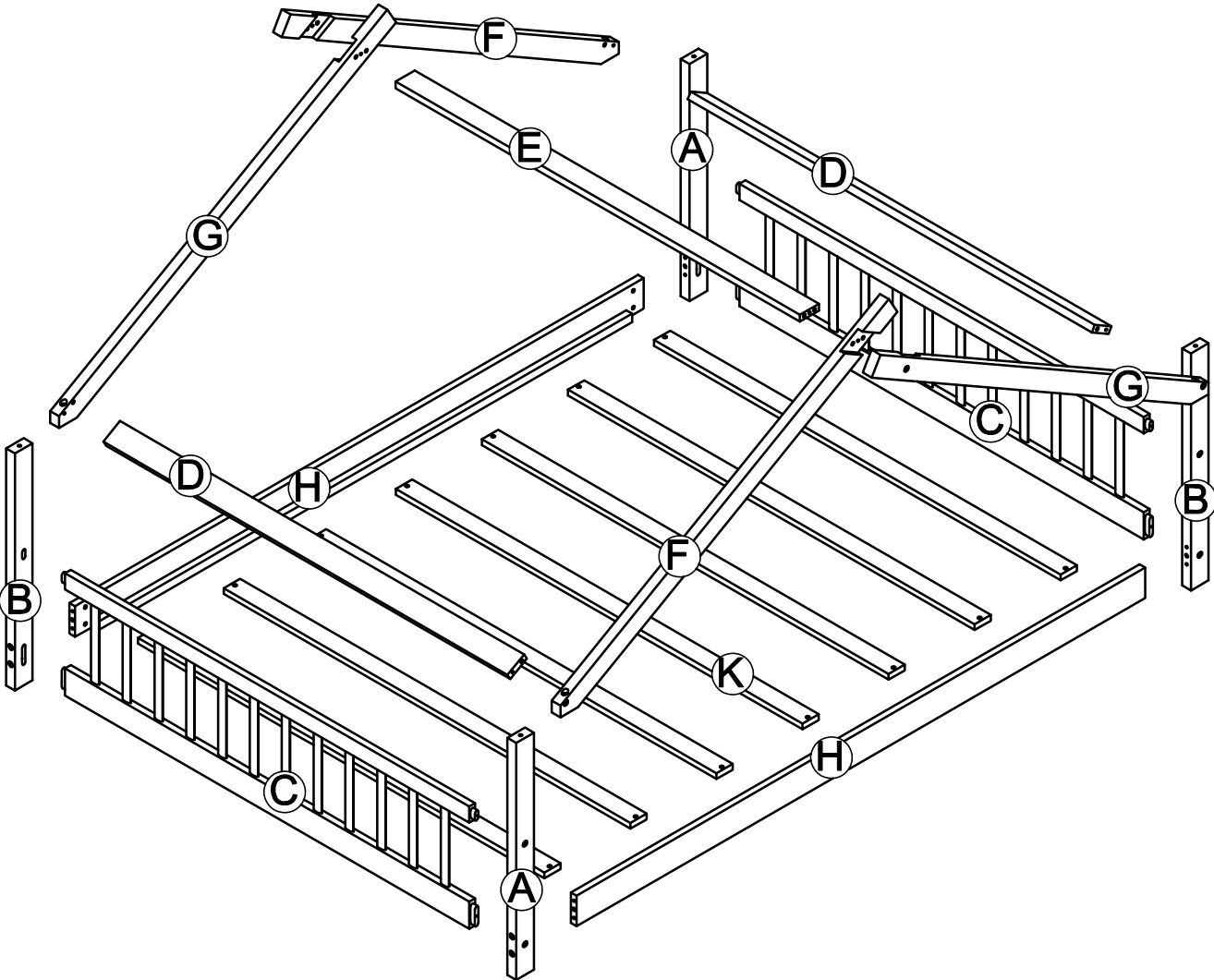


ASSEMBLY INSTRUCTION


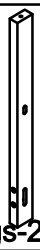
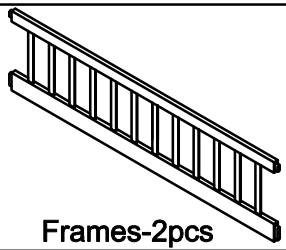
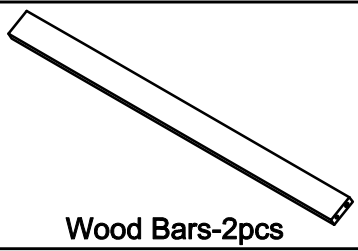
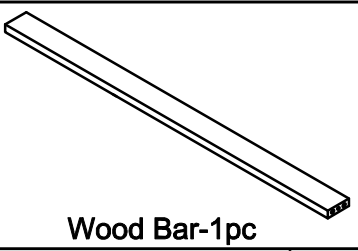

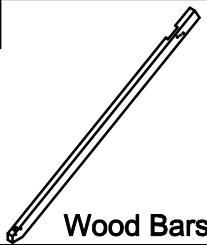
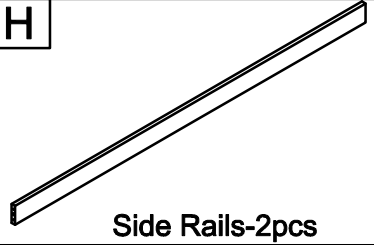
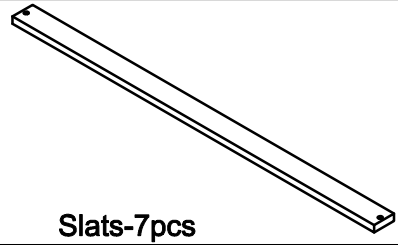
SKU CODE: (WF282522)






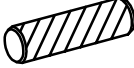
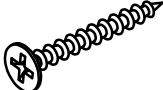



ASSEMBLY INSTRUCTION

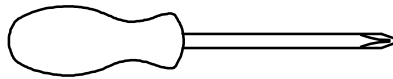


Part List(WF282522)

A  Legs-2pcs	B  Legs-2pcs	C  Frames-2pcs
D  Wood Bars-2pcs	E  Wood Bar-1pc	F  Wood Bars-2pcs
G  Wood Bars-2pcs	H  Side Rails-2pcs	K  Slats-7pcs

Hardware List

<p>1</p>  <p>Screws 1/4" x50 8pcs</p>	<p>2</p>  <p>Ø1/4" x 100 mm Hex-Head bolts 8pcs</p>	<p>3</p>  <p>Ø1/4" x 13 mm Horizontal-Hole bolts 8pcs</p>
<p>4</p>  <p>Ø10 x 40 mm Wood dowel 12pcs</p>	<p>5</p>  <p>M4 x 30 mm Wood Screws 14pcs</p>	<p>6</p>  <p>Screws 1/4" x70 6pcs</p>
<p>7</p>  <p>Ø1/4" x 60 mm Hex-Head bolts 4pcs</p>	<p>8</p>  <p>Allen Key 1pc</p>	



Assembly Tools Required (Not Included)

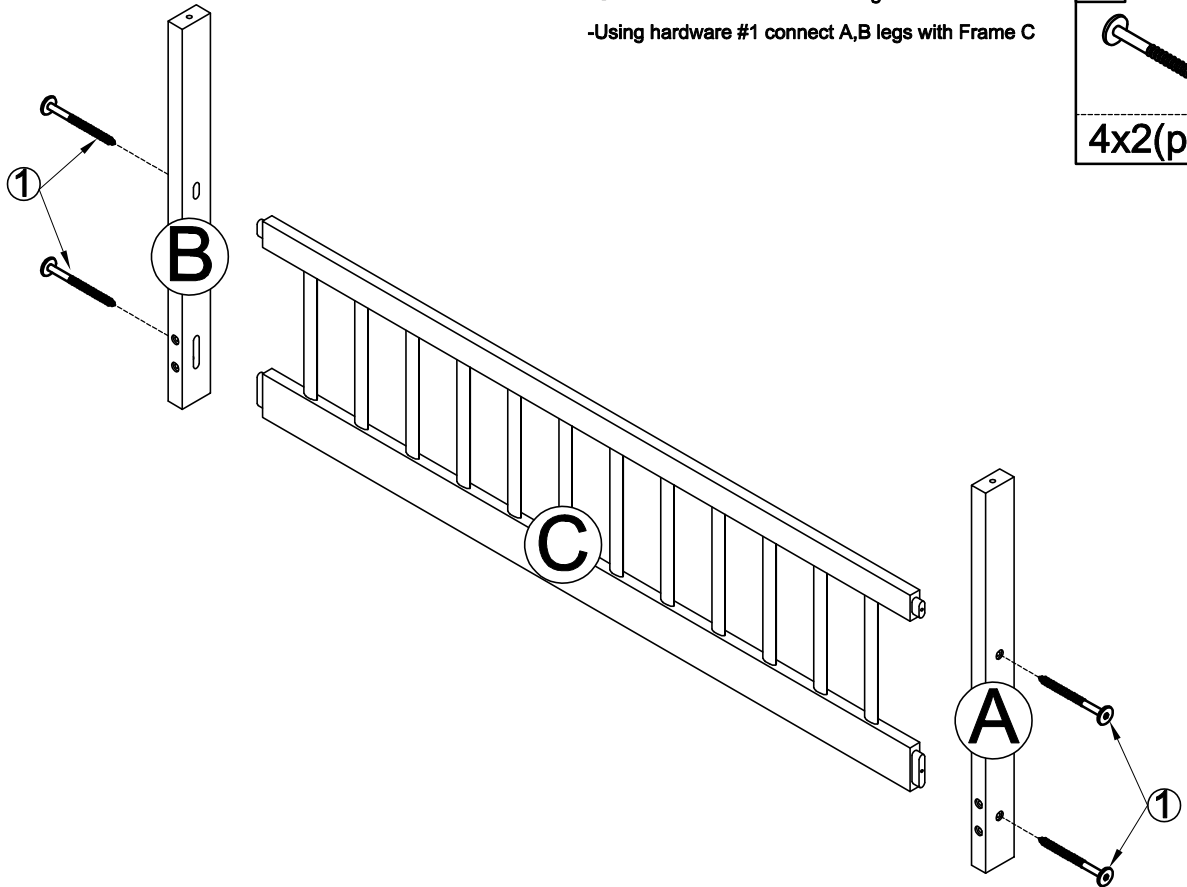
STEP 1: Following below illustration:

-Using hardware #1 connect A,B legs with Frame C

1



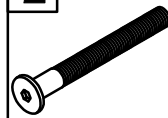
4x2(pcs)



STEP 2: Following below illustration:

-Using hardware #2,#3 and Dowel #4 connect Frame(completed on step 1) with Side Rails H(x2)

2



8pcs

4

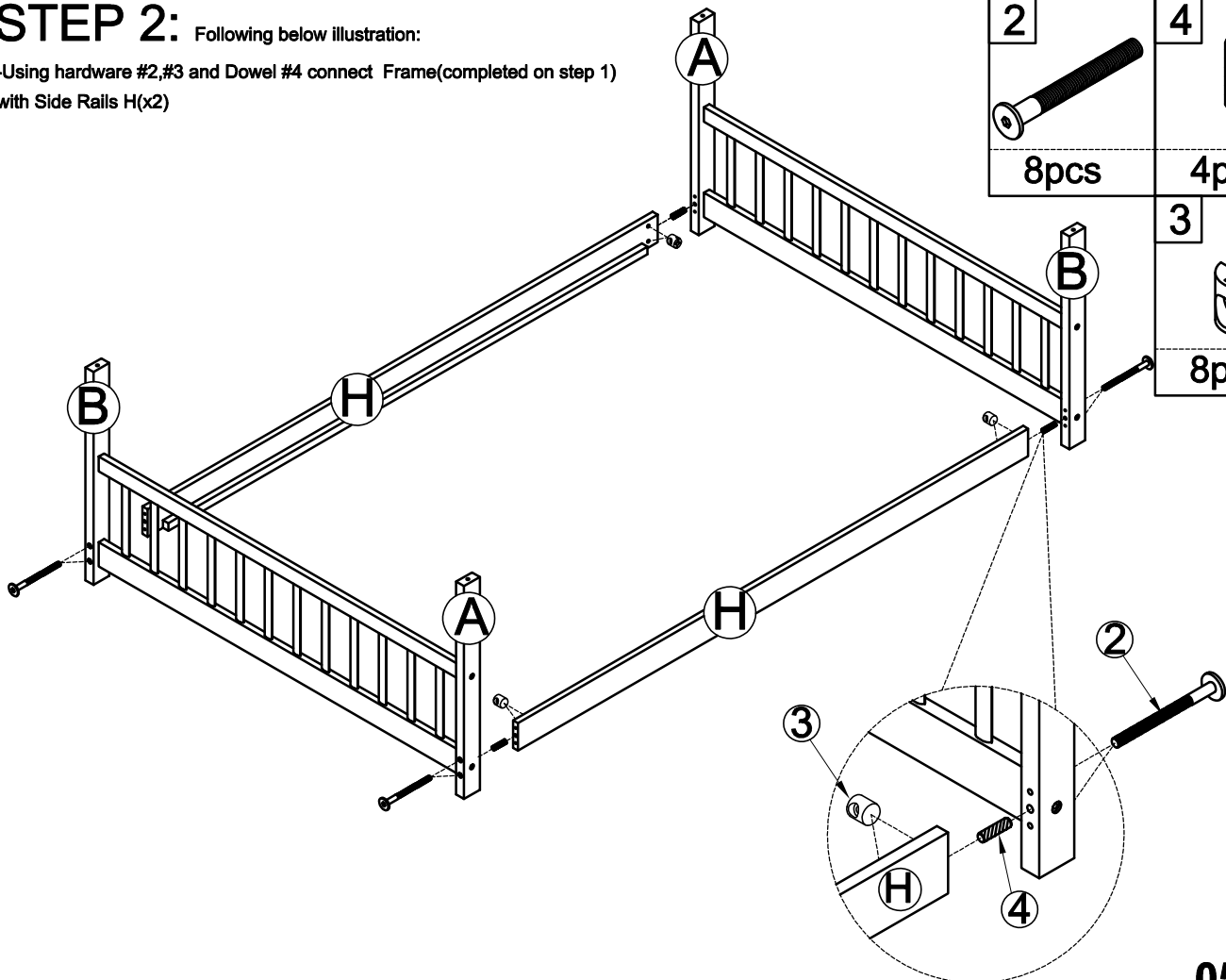


4pcs

3



8pcs



05/07

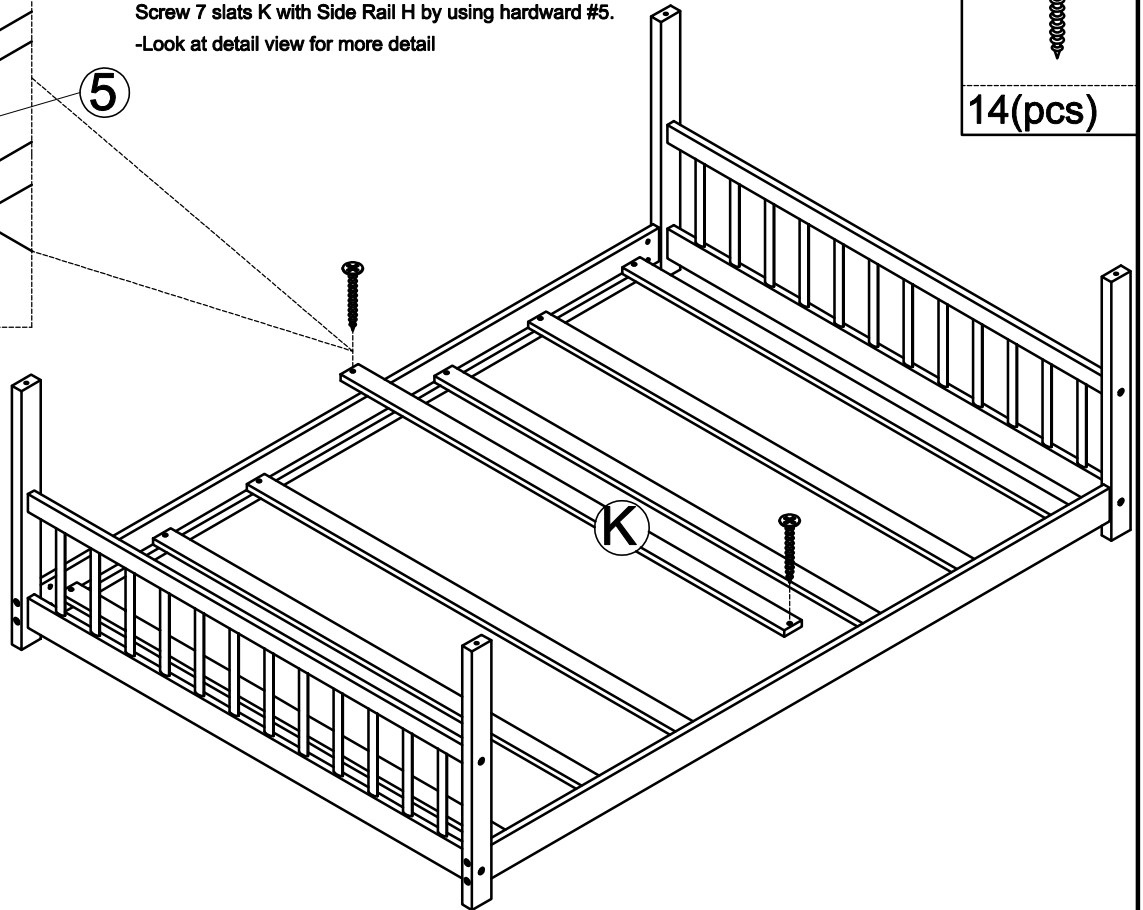
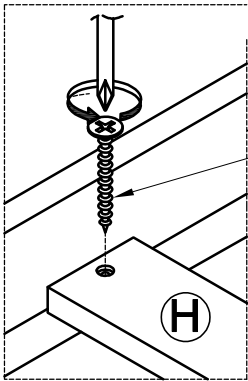
STEP 3:

Following below illustration:
Screw 7 slats K with Side Rail H by using hardware #5.
-Look at detail view for more detail

5



14(pcs)



STEP 4:

Following below illustration:
-Using hardware #6 and Dowel #4 connect F,G Wood Bar With D(x2),E

4

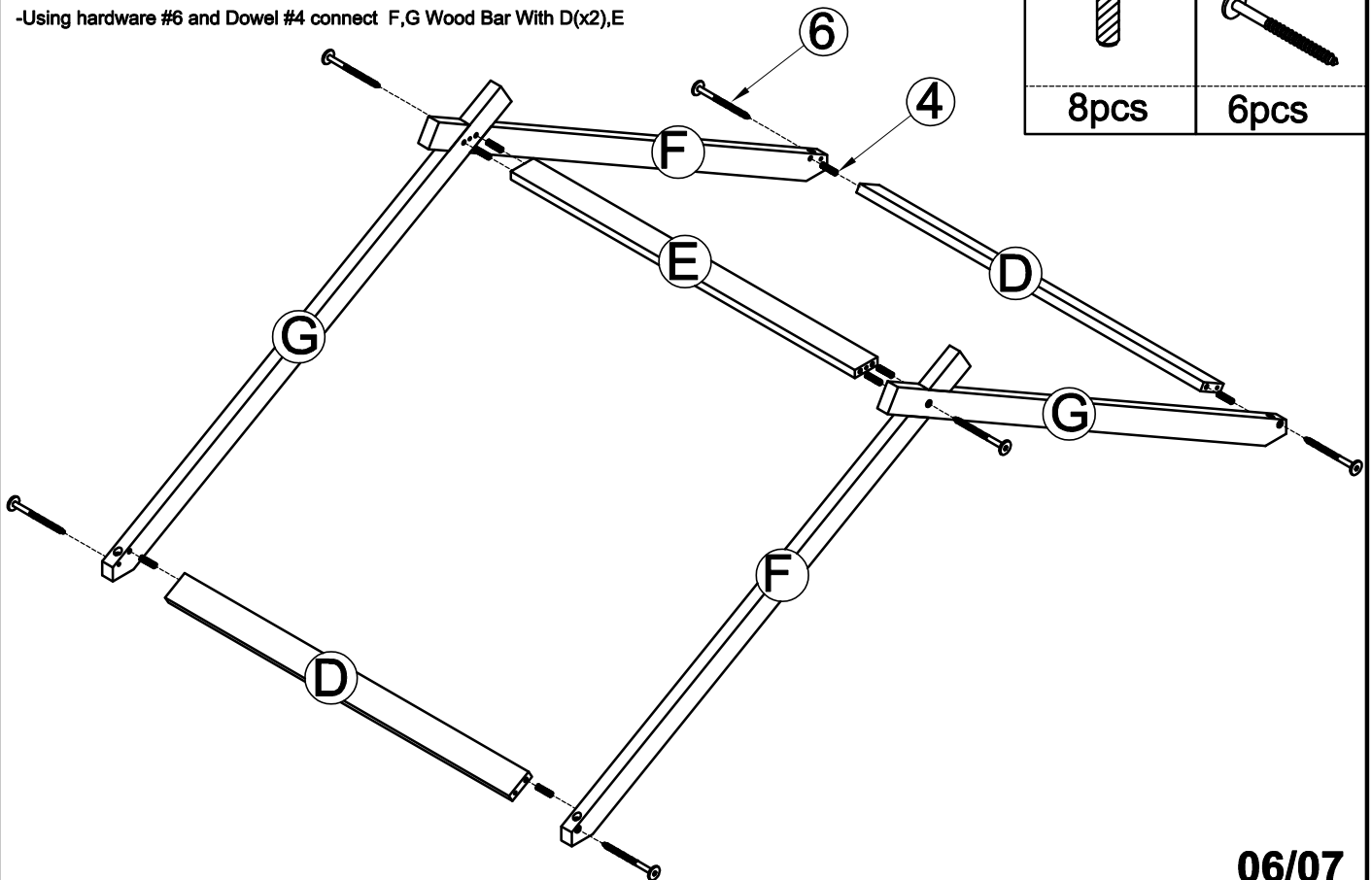


8pcs

6



6pcs

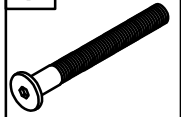


STEP 5:

Following below illustration:

-Using hardware #7 connect Frame(completed on step 4) With Frame(completed on step 3)

7



4pcs

