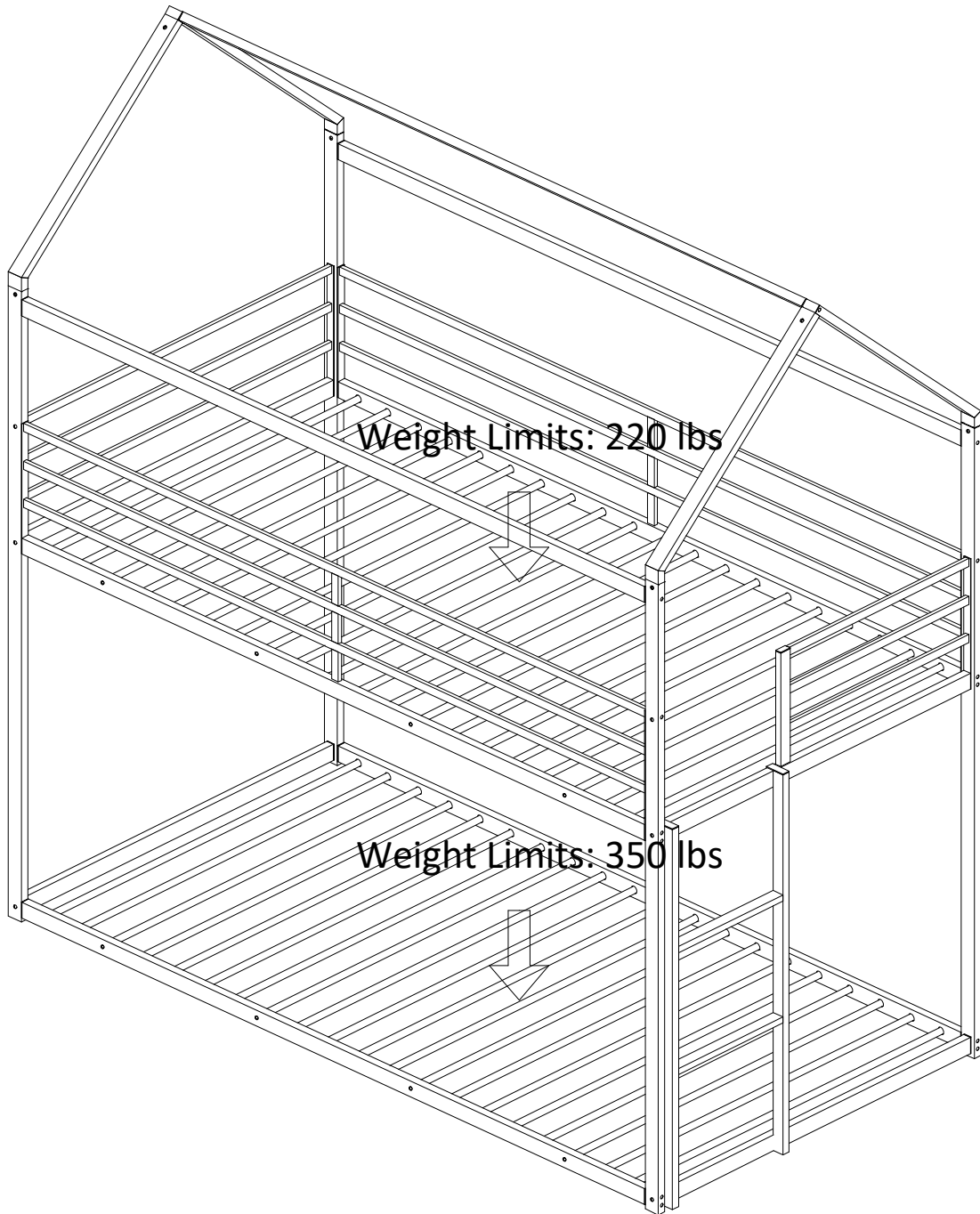


ASSEMBLY INSTRUCTIONS

SKU CODE: (WF286772)





SAFETY WARNING



1. This bed is designed for use only mattress (es) meeting the following specifications on the upper bunk, and lower bunk:

DOWN BED:

LENGTH: 74"-75"

WIDTH: 38.5"

THICKNESS: 8"MAX

UP BED:

LENGTH: 74"-75"

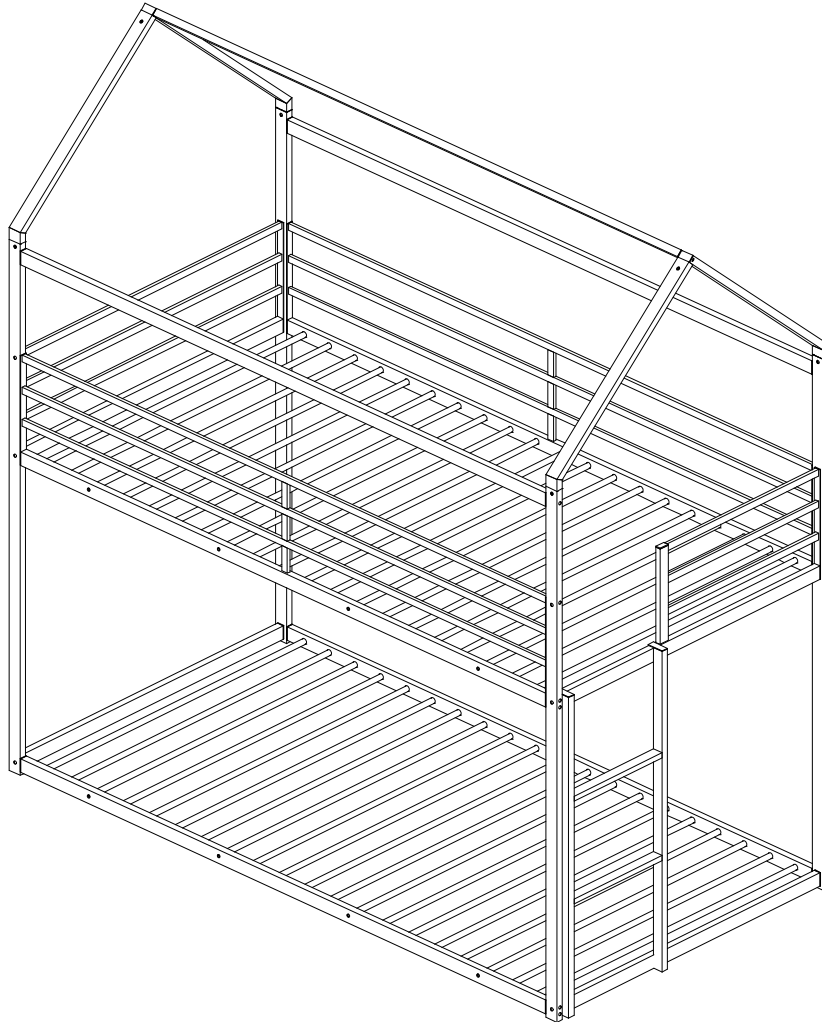
WIDTH: 38.5"

THICKNESS: 6"MAX

2. Replacement parts, including additional guardrails, maybe obtained from any of our (GIGACLOUD. INC) dealers
3. Follow the information on the warnings appearing on the upper bunk bed end structure and on the carton. Do not remove warning label from bed.
4. Always use the recommended size mattresses or mattress supports, or both, to help prevent the likelihood of entrapment or falls.
5. Surface of mattress must be at least 5" (127mm) below the upper edge of guardrails.
6. Do not allow children under 6 years of age to use the upper bunk.
7. Periodically check and ensure that the guardrail, ladder, and other components are in their proper position, free from damage, and that all connectors are tight.
8. Do not allow horseplay on or under the bed and prohibit jumping on the bed.
9. Always use the ladder for entering and leaving the upper bunk.
10. Do not use substitute part. Contact the manufacture or dealer for replacement part.
11. Use of a night light may provide added safety precaution for a child using the upper bunk.
12. Always use guardrails on both long sides of the upper bunk. If the bunk bed will be placed next to the wall, the guardrail that runs the full length of the bed should be placed against the wall to prevent entrapment between the bed and wall.
13. The use of water or sleep flotation mattresses is prohibited.
14. **STRANGULATION HAZARD** - Never attach or hang items to any part of the bunk bed that are not designed for use with the bed; for example, but not limited to, hook, belts and jump ropes.
15. Keep these instruction for future reference.

ASSEMBLY INSTRUCTIONS

HOUSE BUNK BED



Thank you for purchasing this quality product. Be sure to check all packing material carefully for small parts which may have come loose inside the carton during shipment. Separate, identify and count all parts and hardware.

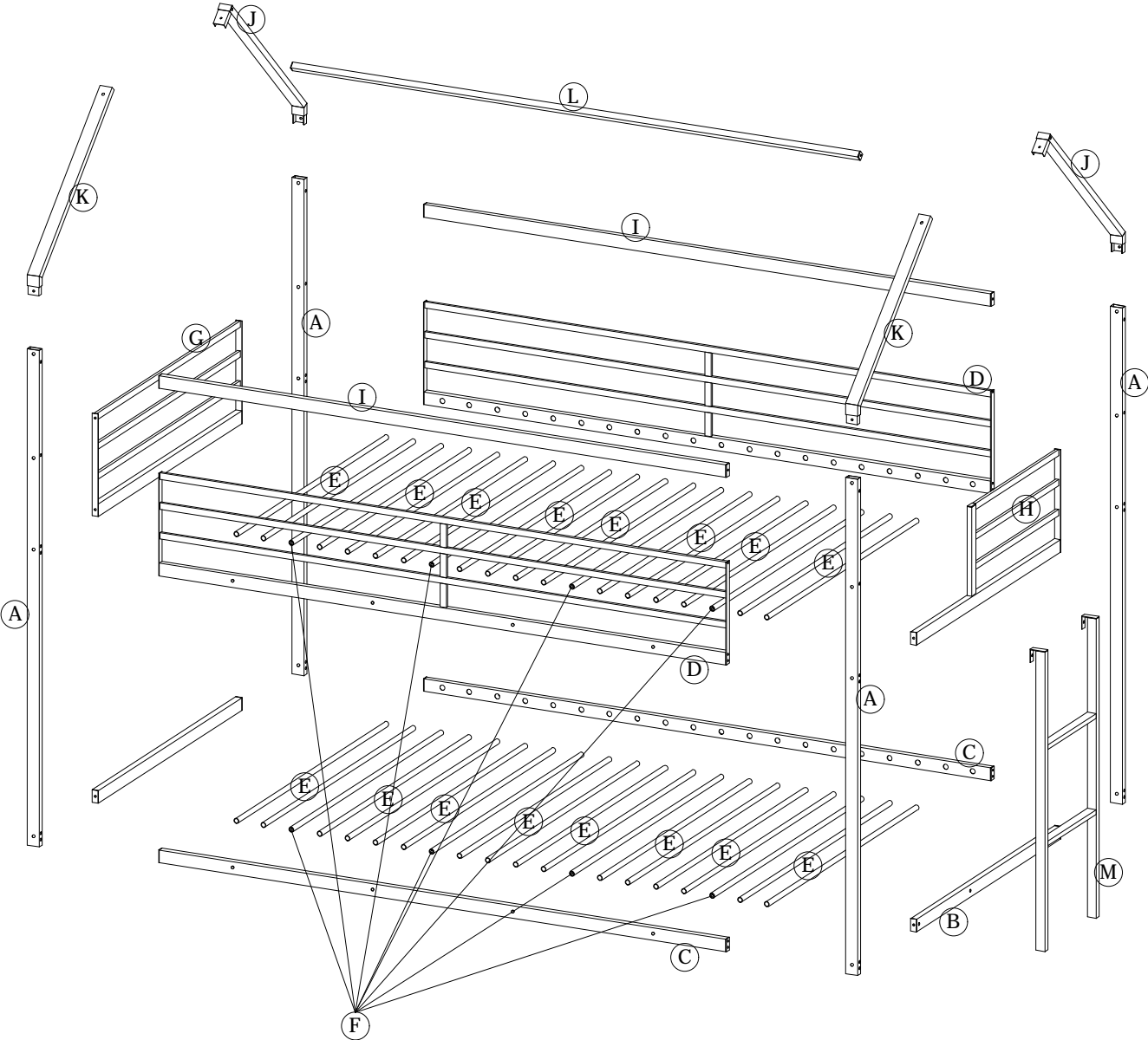
Compare with the parts list to be sure all parts are present.

"DO NOT TIGHTEN SCREWS UNTIL COMPLETELY ASSEMBLED"

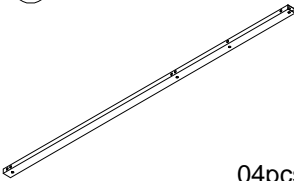
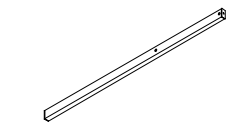
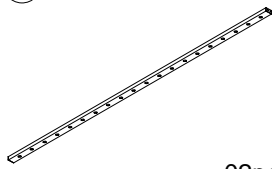
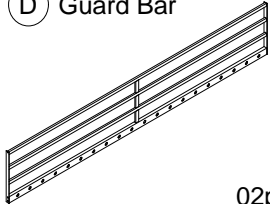
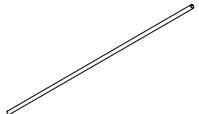
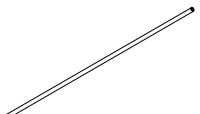
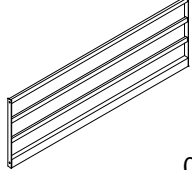
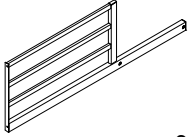
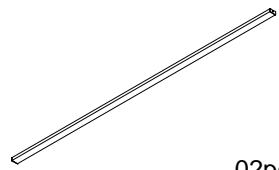
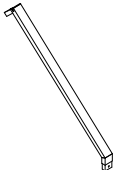

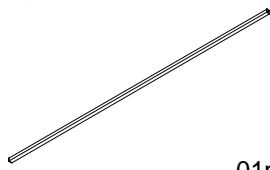
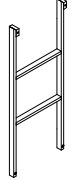
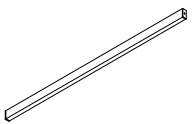
IMPORTANT:
PLEASE READ INSTRUCTION BEFORE STARTING THE ASSEMBLY

Detail View

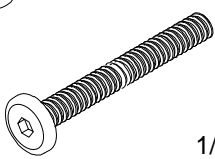
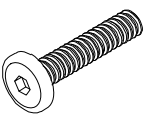
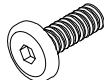
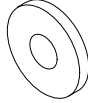

HOUSE BUNK BED



PART LIST WF286772

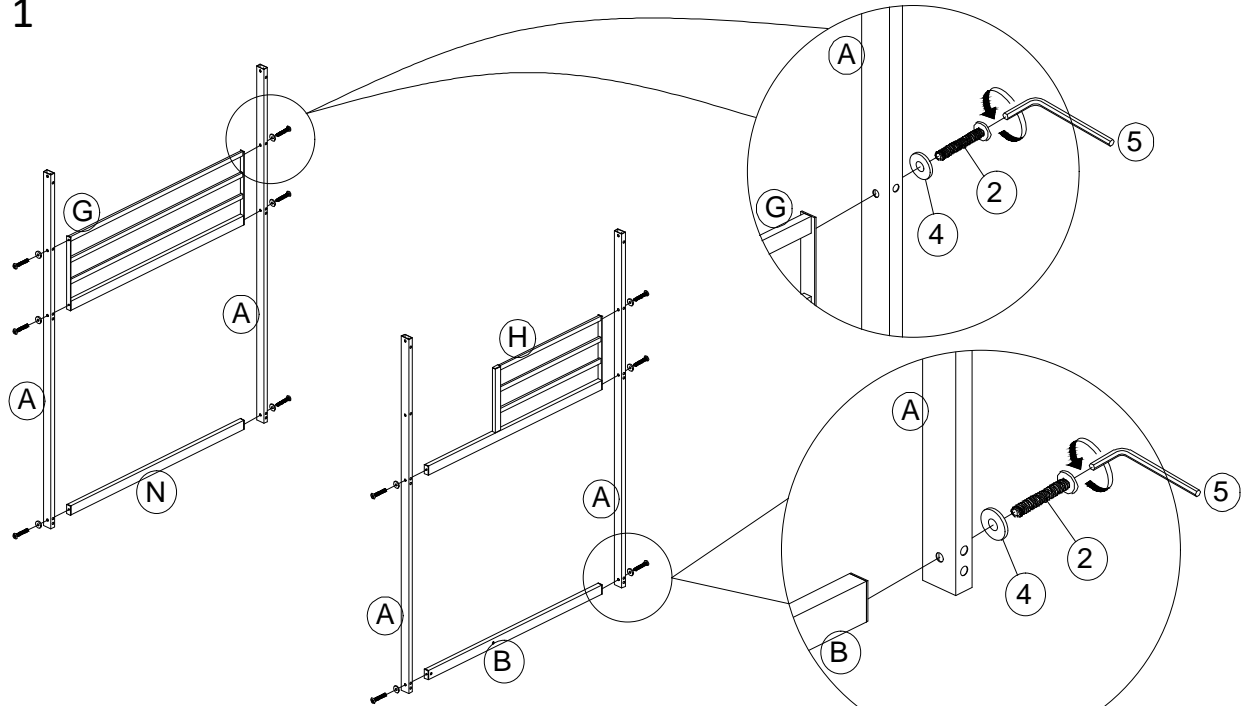
<p>(A) Legs</p>  <p style="text-align: right;">04pcs</p>	<p>(B) Hip Brace</p>  <p style="text-align: right;">01pc</p>	<p>(C) Lower Bar</p>  <p style="text-align: right;">02pcs</p>	<p>(D) Guard Bar</p>  <p style="text-align: right;">02pcs</p>
<p>(E) Slats</p>  <p style="text-align: right;">32pcs</p>	<p>(F) Slats</p>  <p style="text-align: right;">08pcs</p>	<p>(G) Side Guard Bar</p>  <p style="text-align: right;">01pc</p>	<p>(H) Side Guard Bar</p>  <p style="text-align: right;">01pc</p>
<p>(I) Front Brace</p>  <p style="text-align: right;">02pcs</p>	<p>(J) Cross Ballast Bar</p>  <p style="text-align: right;">02pcs</p>	<p>(K) Cross Ballast Bar</p>  <p style="text-align: right;">02pcs</p>	<p>(L) Upper Bar</p>  <p style="text-align: right;">01pc</p>
<p>(M) Stair</p>  <p style="text-align: right;">01pc</p>	<p>(N) Hip Brace</p>  <p style="text-align: right;">01pc</p>		



HARDWARE LIST WF286772

<p>(1) Bolts</p>  <p style="text-align: right;">1/4*58 26 pcs</p>	<p>(2) Bolts</p>  <p style="text-align: right;">1/4*35 13 pcs</p>	<p>(3) Bolts</p>  <p style="text-align: right;">1/4*20 24 pcs</p>	<p>(4) Washer</p>  <p style="text-align: right;">Ø6*Ø16 63 pcs</p>
<p>(5) Allen Key</p>  <p style="text-align: right;">4*59 01 pcs</p>			

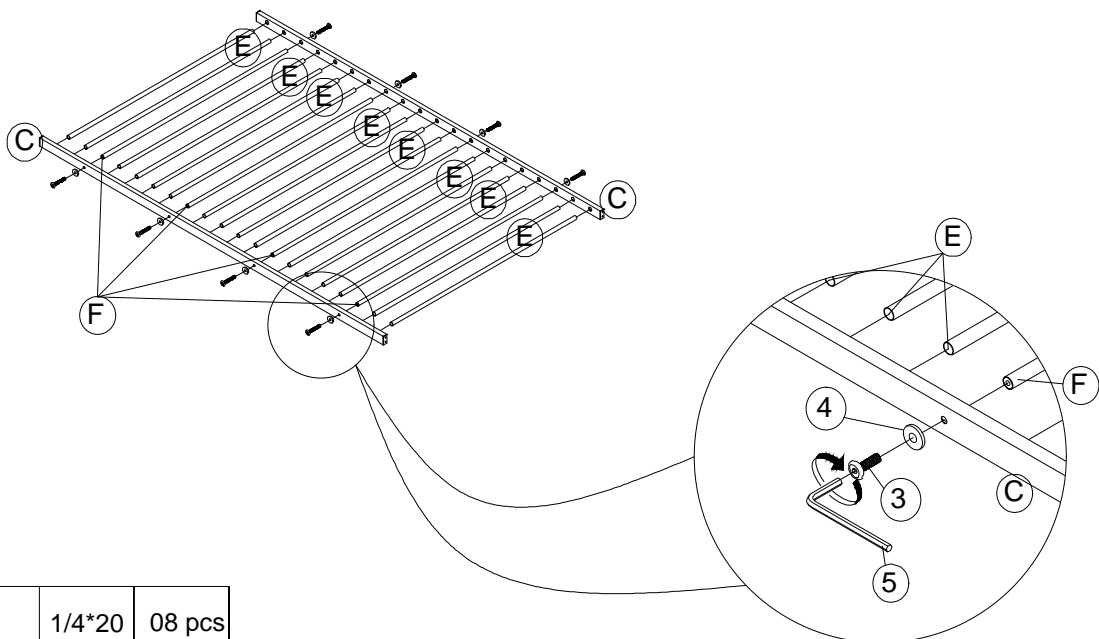
HOUSE BUNK BED ASSEMBLY INSTRUCTIONS ITEM: WF286772



STEP 1



2		1/4*35	11 pcs
4		Ø6*Ø16	11 pcs

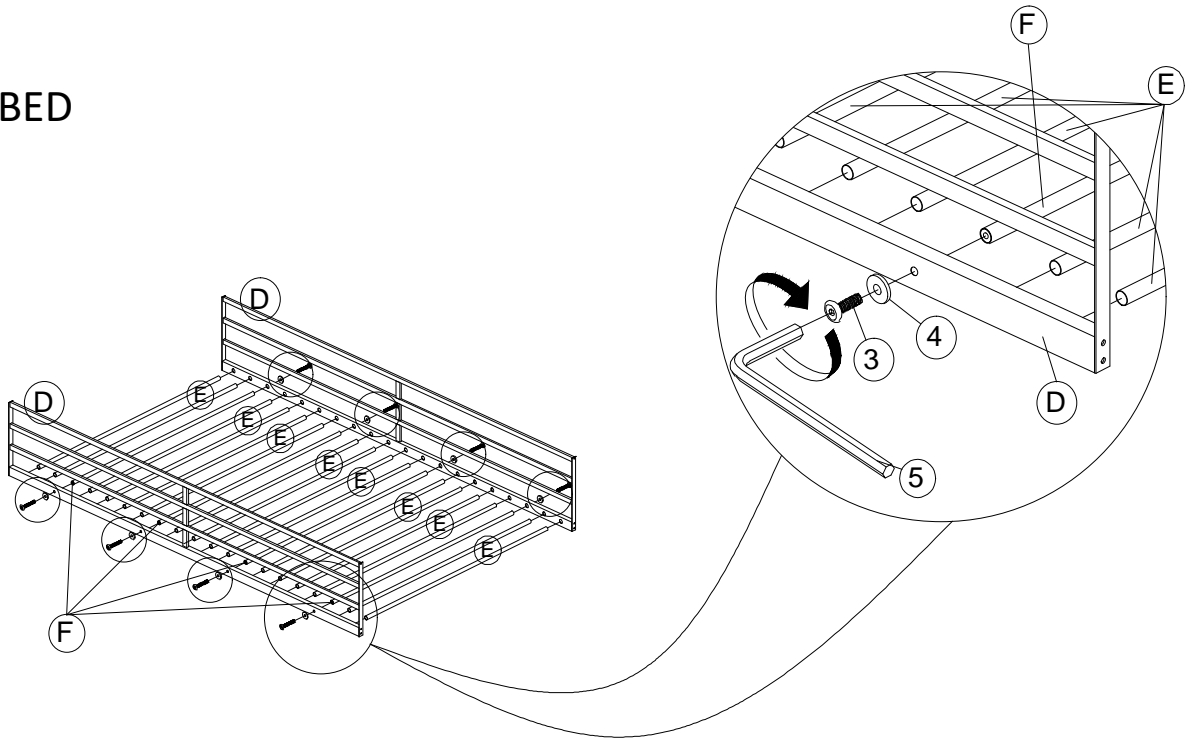
STEP 2 BOTTOM BED





3		1/4*20	08 pcs
4		Ø6*Ø16	08 pcs

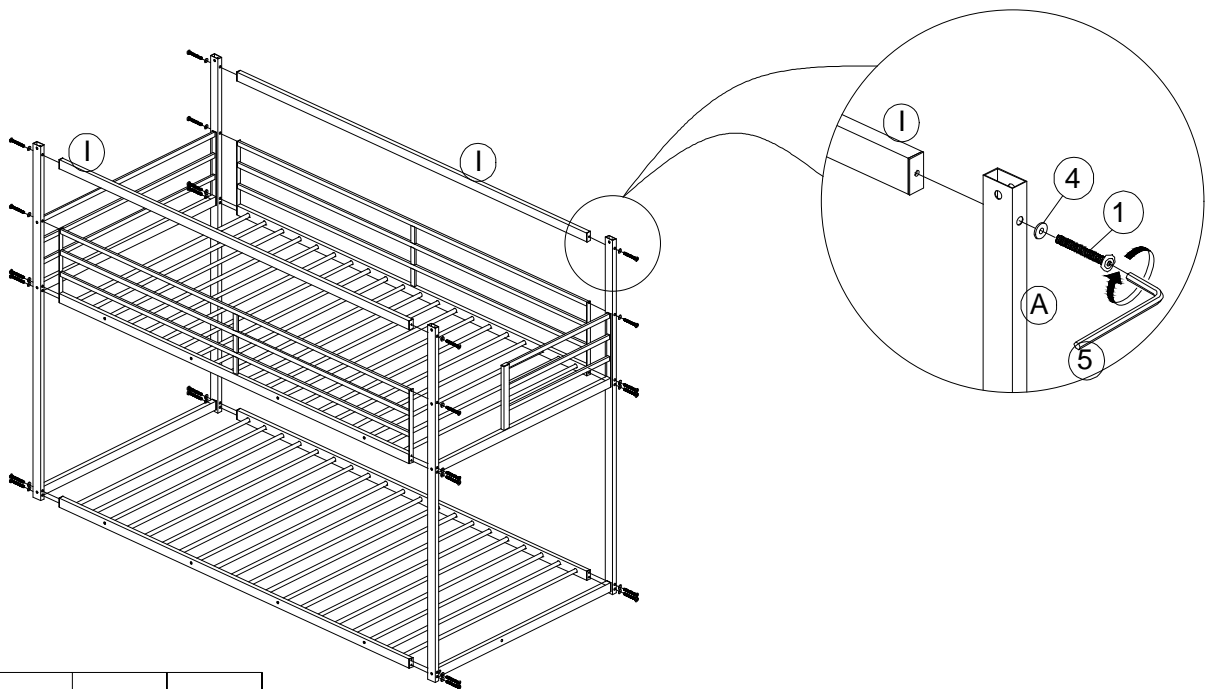
HOUSE BUNK BED ASSEMBLY INSTRUCTIONS ITEM: WF286772



STEP 3 UPPER BED



4		Ø6*Ø16	08 pcs
3		1/4*20	08 pcs

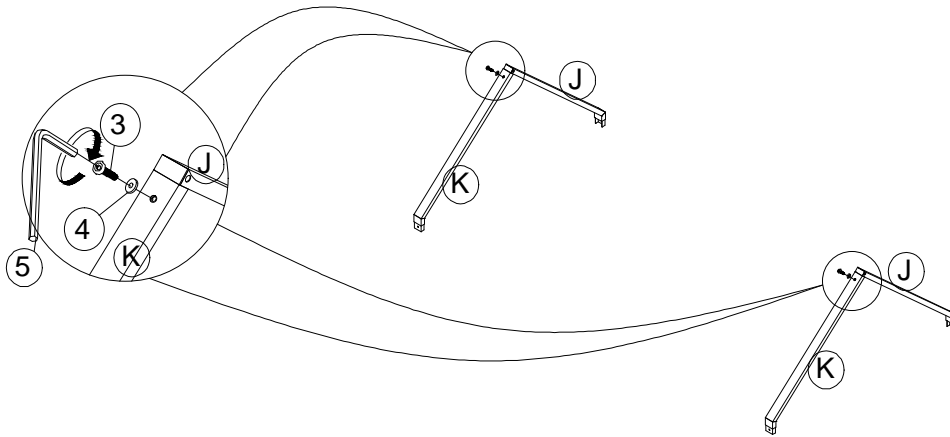
STEP 4





4		Ø6*Ø16	24 pcs
1		1/4*58	24 pcs

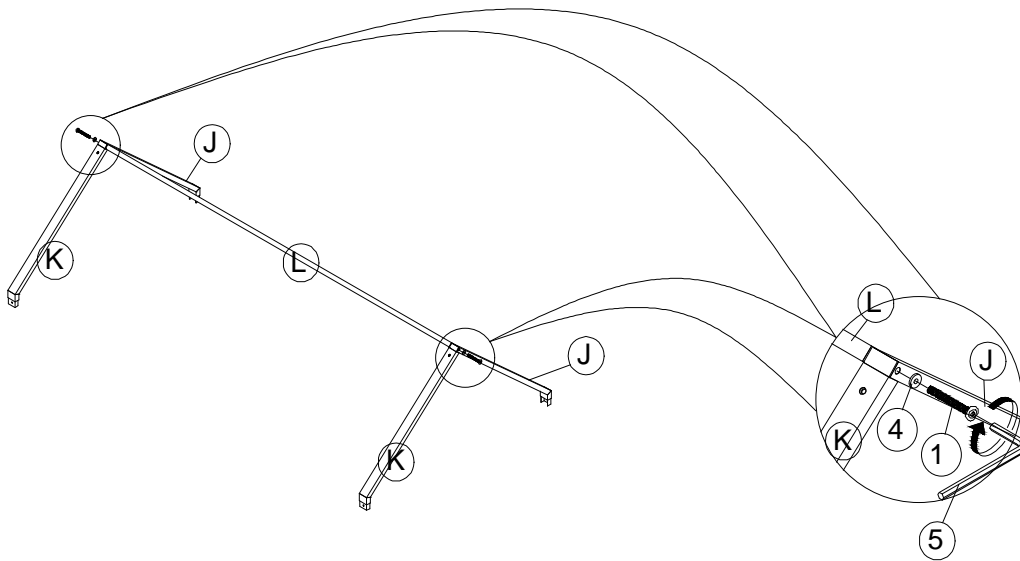
HOUSE BUNK BED ASSEMBLY INSTRUCTIONS ITEM: WF286772



STEP 5



3		1/4*20	02 pcs
4		Ø6*Ø16	02 pcs

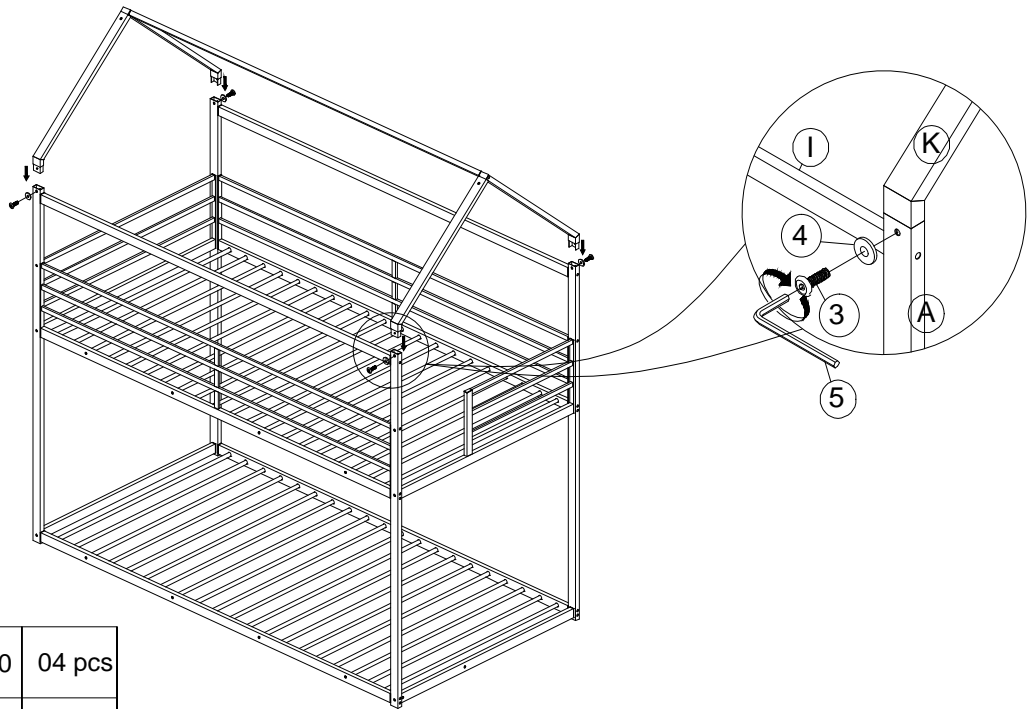
STEP 6





1		1/4*58	02 pcs
4		Ø6*Ø16	02 pcs

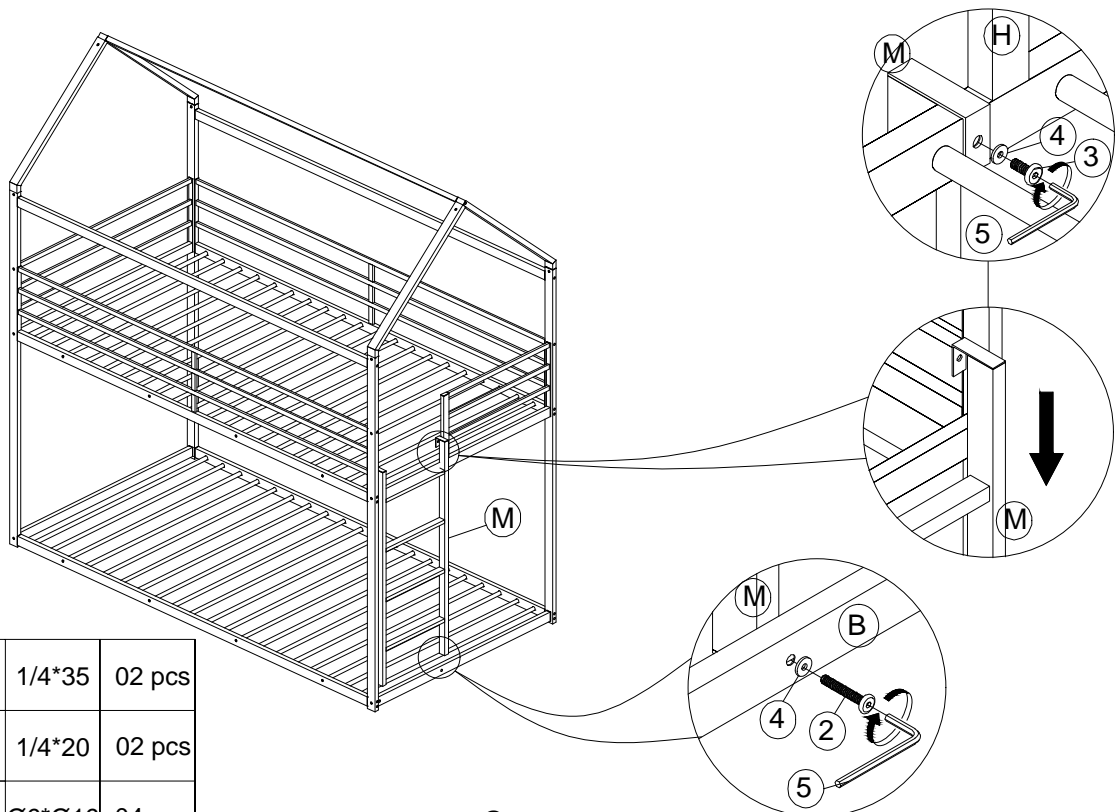
HOUSE BUNK BED ASSEMBLY INSTRUCTIONS ITEM: WF286772




STEP 7



③		1/4*20	04 pcs
④		Ø6*Ø16	04 pcs

STEP 8



②		1/4*35	02 pcs
③		1/4*20	02 pcs
④		Ø6*Ø16	04 pcs

HOUSE BUNK BED
ASSEMBLY INSTRUCTIONS
ITEM: WF286772

COMPLETE

