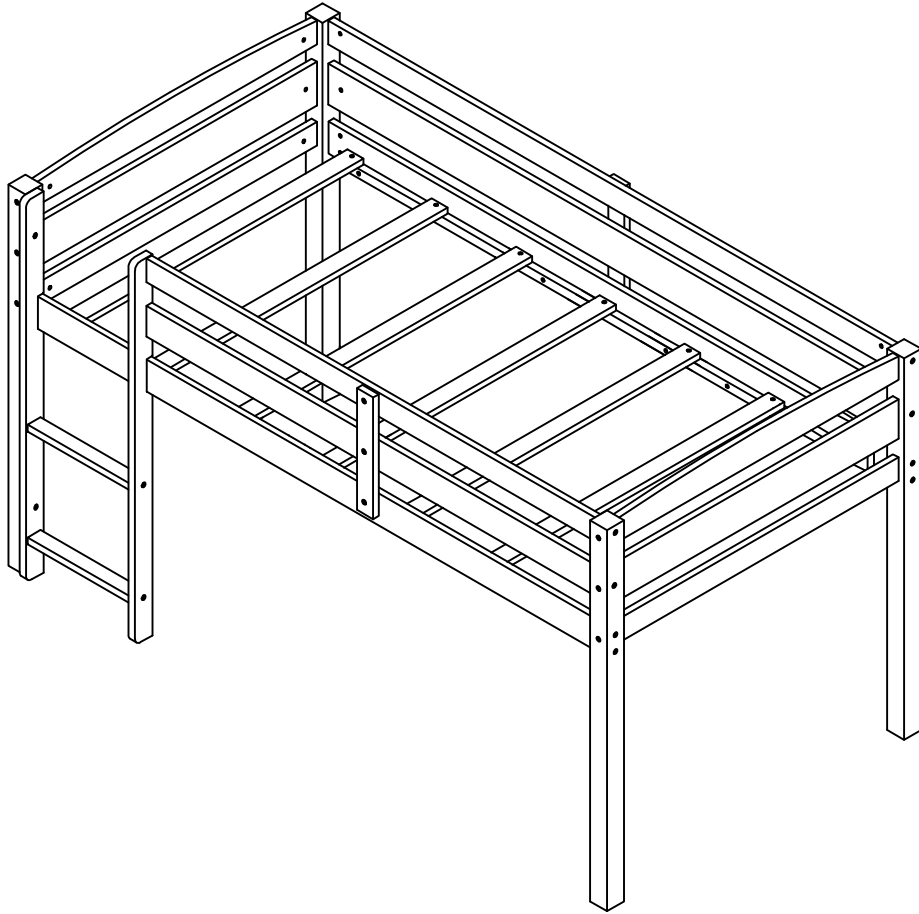


ASSEMBLY INSTRUCTIONS

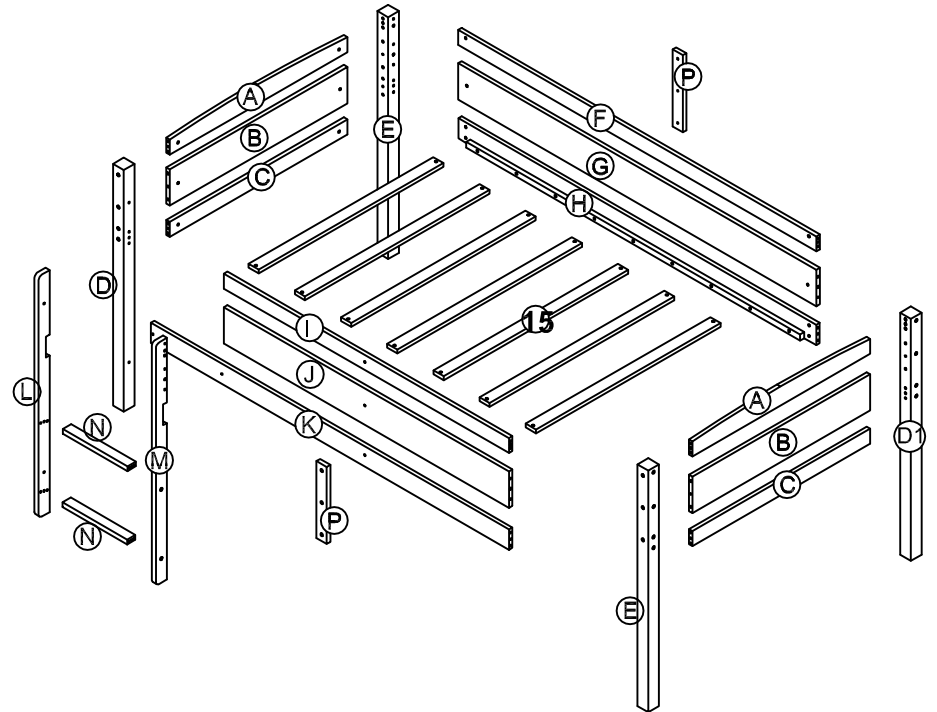
LOFT BED



WF286816

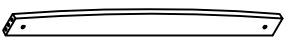
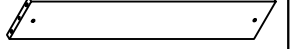
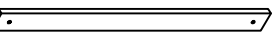
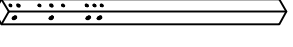
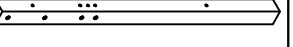
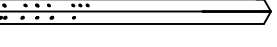
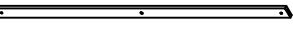
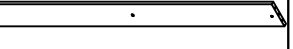


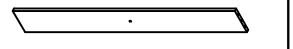
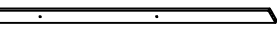
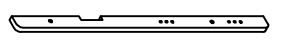
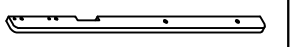
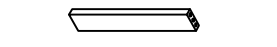
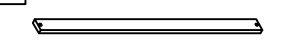

1

Detail View

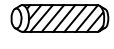
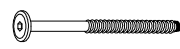


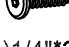
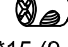
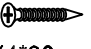




2

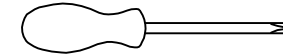
Part List

A 	B 	C 
Horizontal bar - 2pcs	Horizontal bar - 2pcs	Horizontal bar - 2pcs
D1 	D 	E 
Leg HB (Left) - 1pc	Leg FB (Left) - 1pc	Leg HB & FB (Right) - 2pcs
F 	G 	H 
Upper long guard rail - 1pc	Lower long guard rail - 1pc	Side rail (Back) - 1pc
I 	J 	K 
Upper short guard rail - 1pc	Lower short guard rail - 1pc	Side rail (Front) - 1pc
L 	M 	N 
Left side ladder -1pc	Right side ladder -1pc	Step ladder -2pcs
15 	P 	
Slat - 7pcs	Support side rail -2pcs	

Hardware List

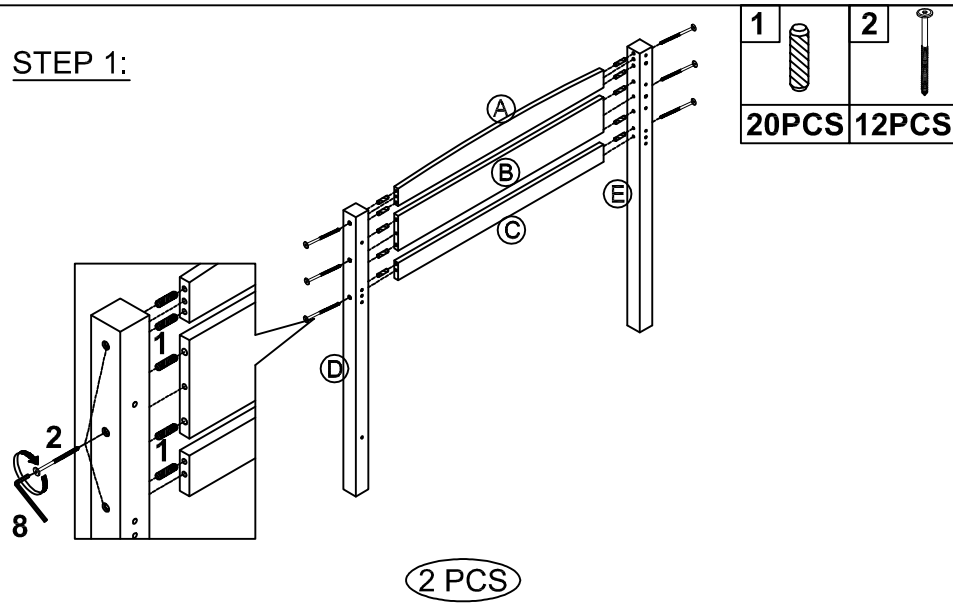
1  Ø10*30mm Wood dowel (48pcs)	2  (Ø15)1/4"*110mm Bolts screw (12pcs)	3  (Ø15)1/4"*85mm Hex-Head bolts (14pcs)
4  (Ø15)1/4"*65mm Hex-Head bolts (2pcs)	5  (Ø15)1/4"*30mm Bolts screw (6pcs)	6  1/4"*15 (9.5mm) Horizontal-Hole bolts(16pcs)
7  Ø4*30mm Wood screws (14pcs)	8  (1/4")4.5*58mm Allen key (1pcs)	9  (Ø15)1/4"*50mm Bolts screw (7pcs)

ASSEMBLY TOOLS REQUIRED (NOT INCLUDED)



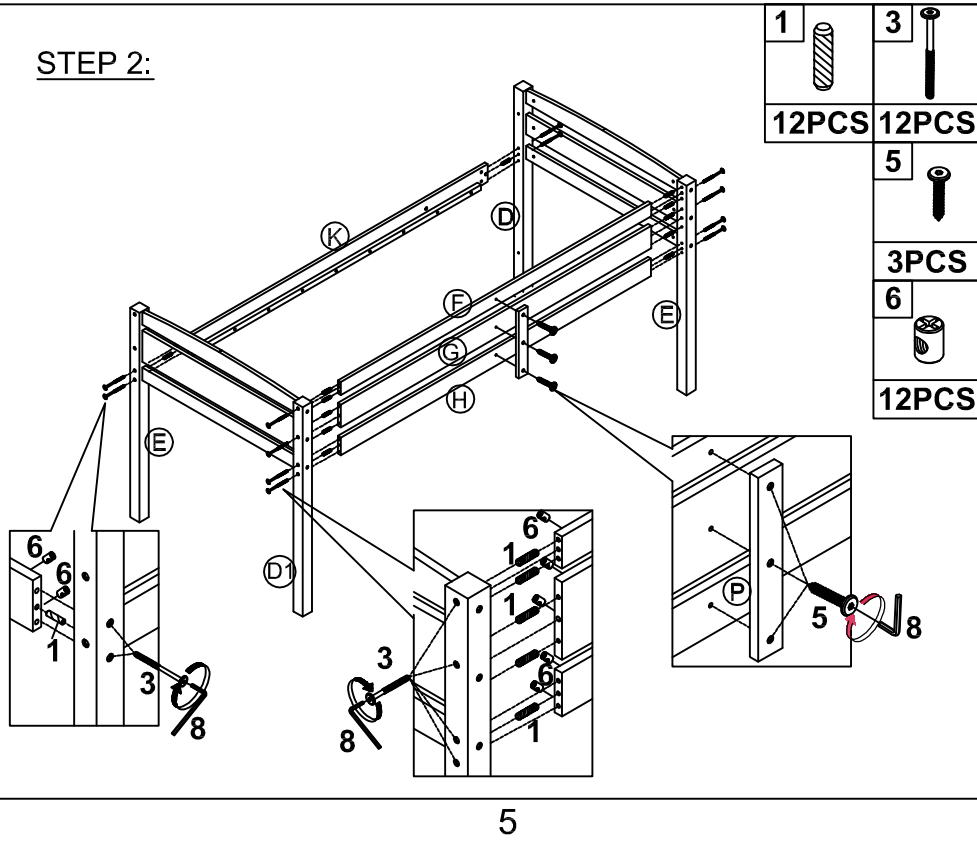
PLEASE BE CAREFUL DO NOT DAMAGE THE HOLE POSITION WHEN YOU USE POWER TOOLS !

STEP 1:



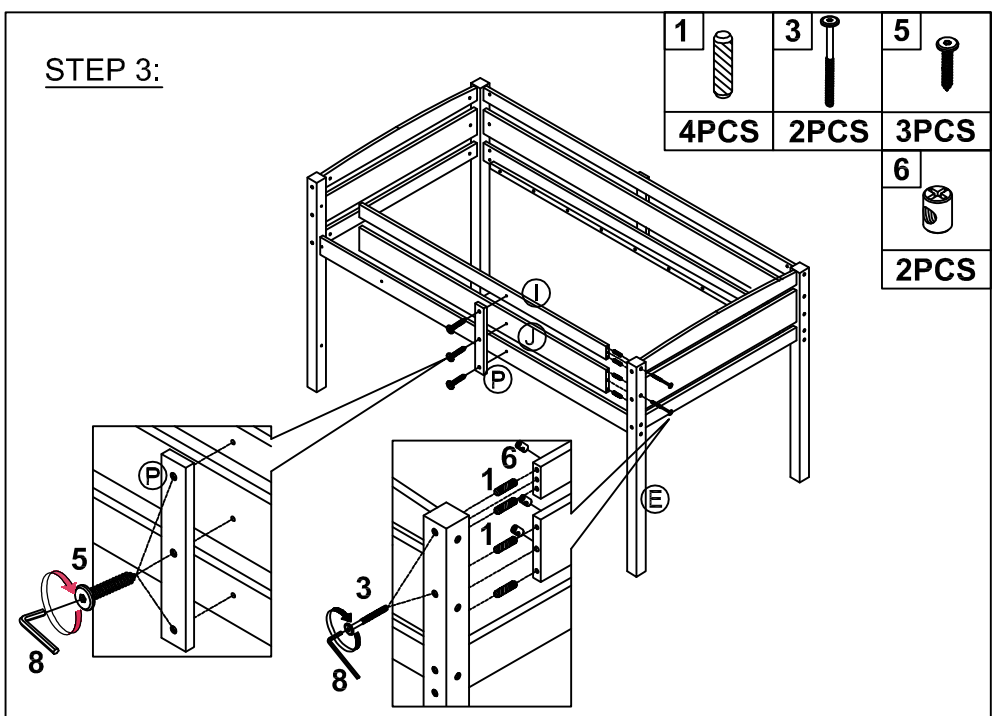
1		2	
20PCS		12PCS	

STEP 2:



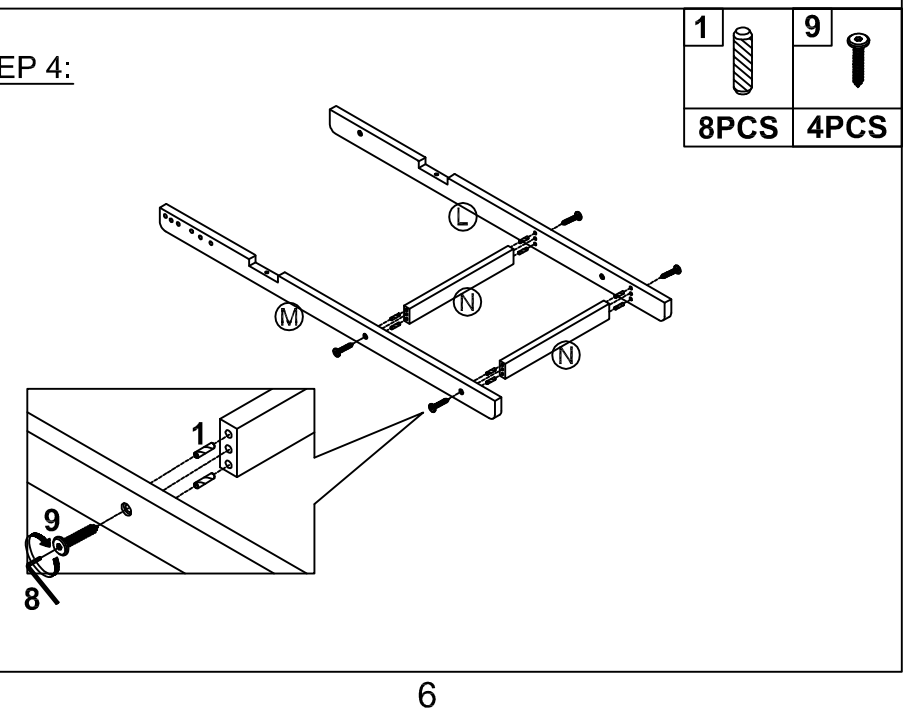
1		3	
12PCS		12PCS	
		5	
		3PCS	
		6	
		12PCS	

STEP 3:



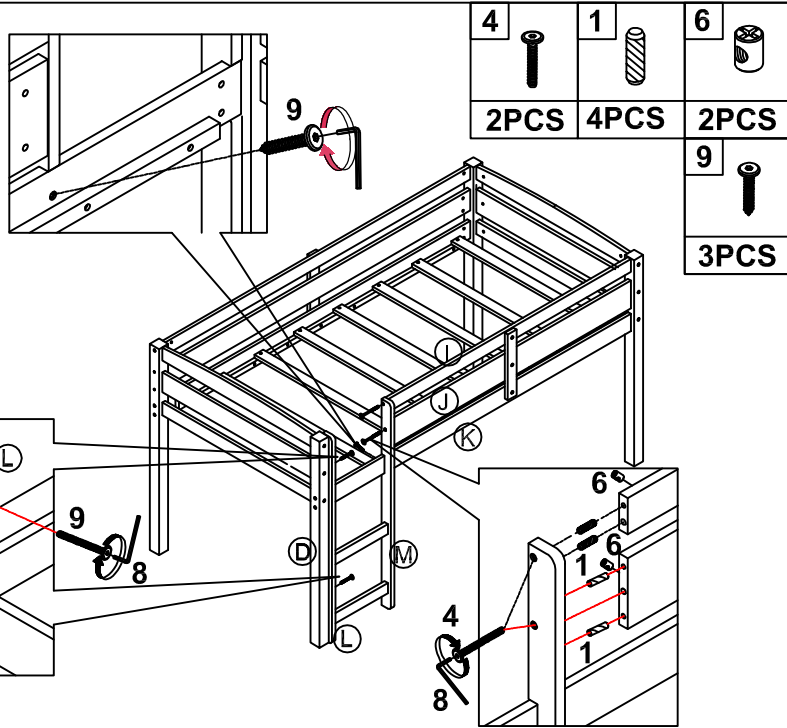
1		3		5	
4PCS		2PCS		3PCS	
				6	
				2PCS	

STEP 4:



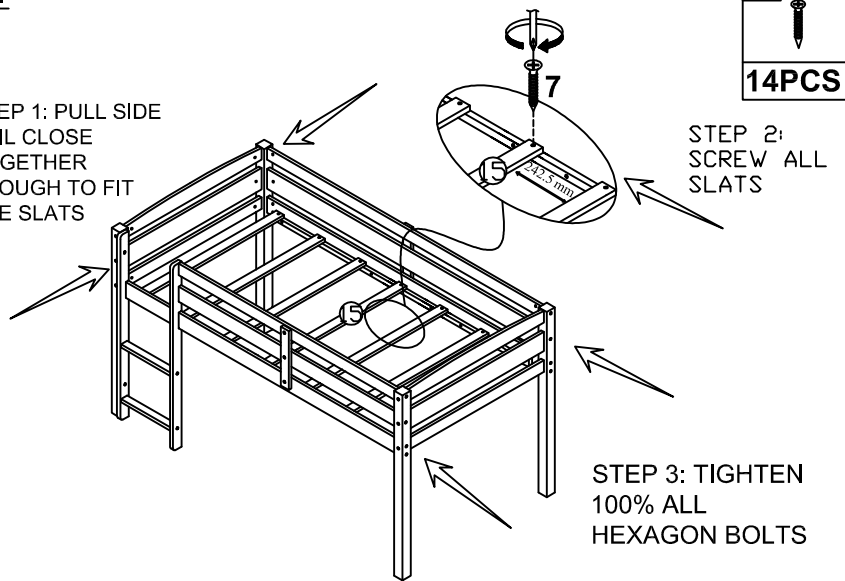
1		9	
8PCS		4PCS	

STEP 5:



STEP 6:

STEP 1: PULL SIDE RAIL CLOSE TOGETHER ENOUGH TO FIT THE SLATS



COMPLETED

