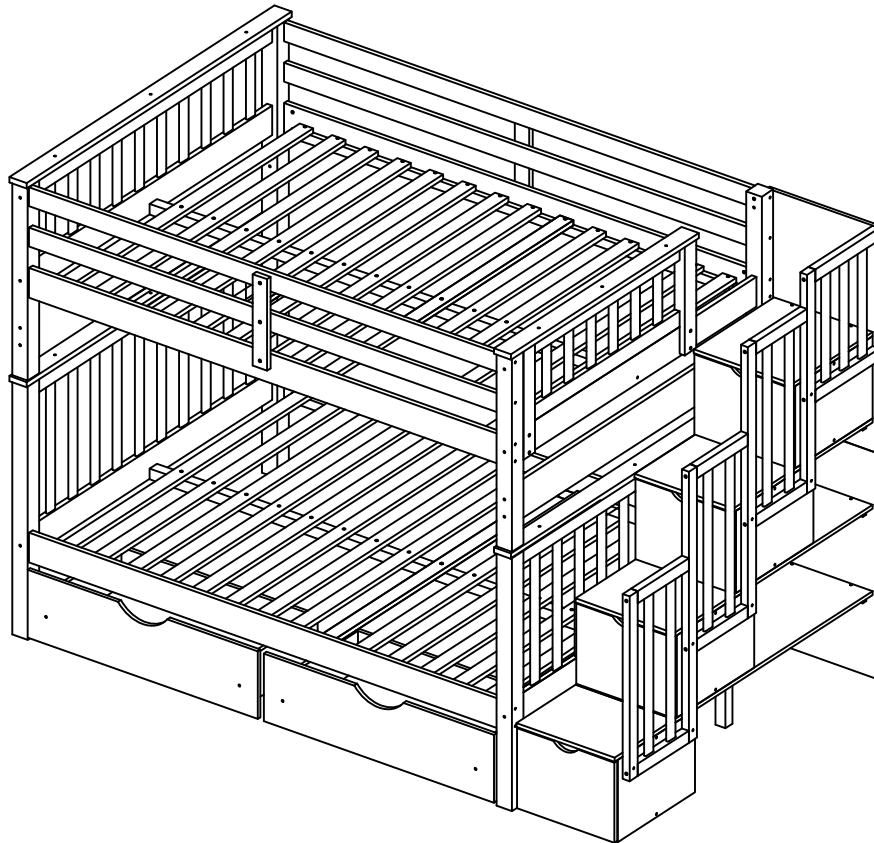
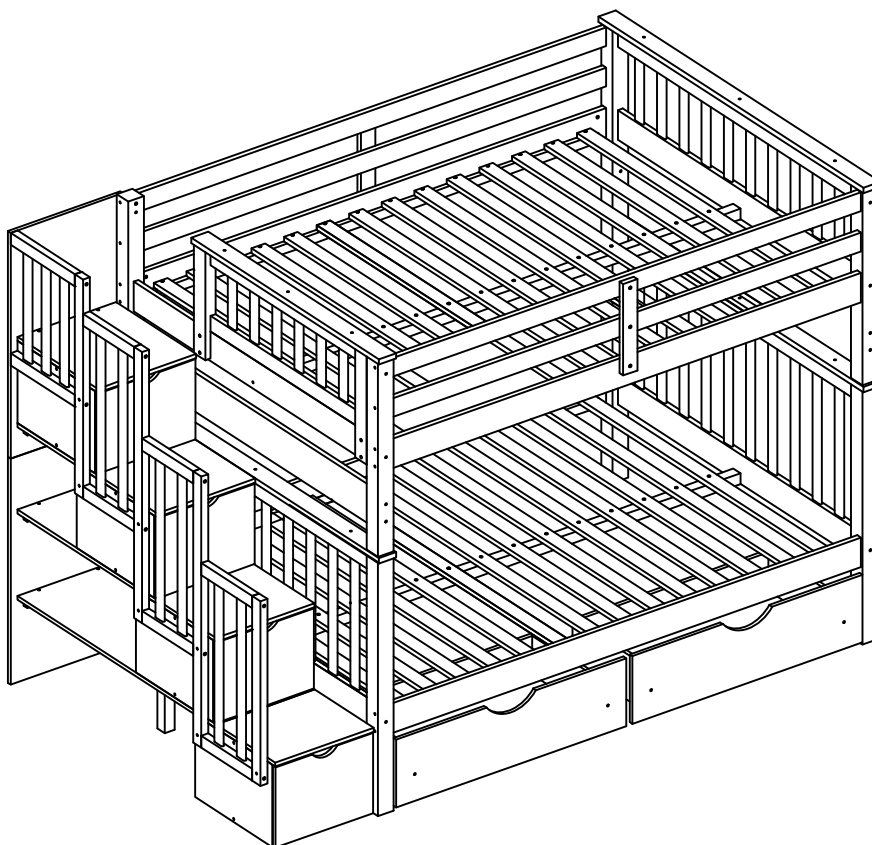


ASSEMBLY INSTRUCTIONS

FULL / FULL BUNK BED WITH DRAWER



WF286196-286197-286198-286199

ASSEMBLY INSTRUCTIONS



SAFETY WARNINGS



1. This bed is designed for use only mattress (es) meeting the following specifications on the upper bunk, and lower bunk:

Upper bunk (bunk bed and tribed included)

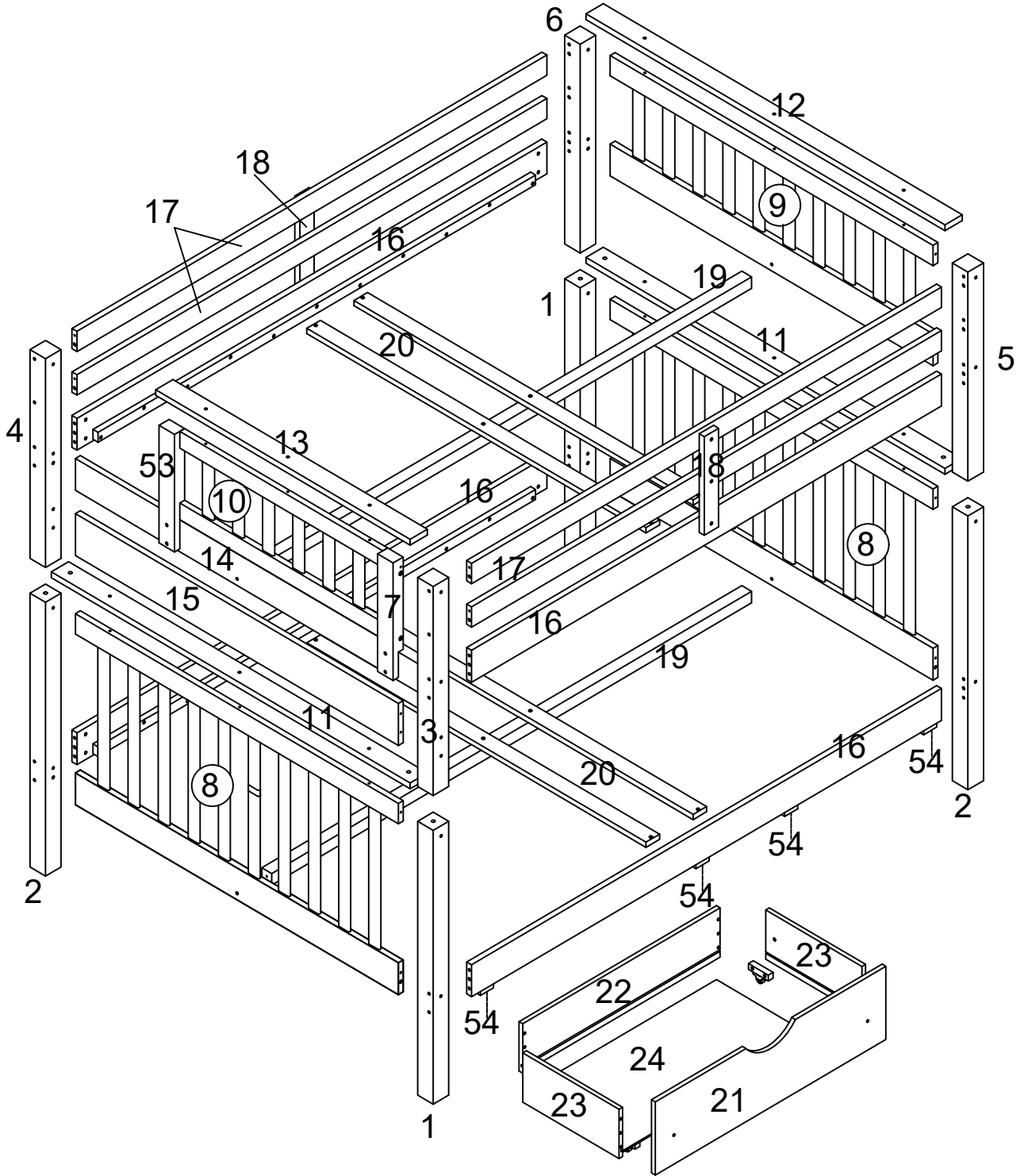
Bed Type	Length	Width	Thickness
Full Standard	74" - 75"	53" - 54"	6" max

Lower bunk

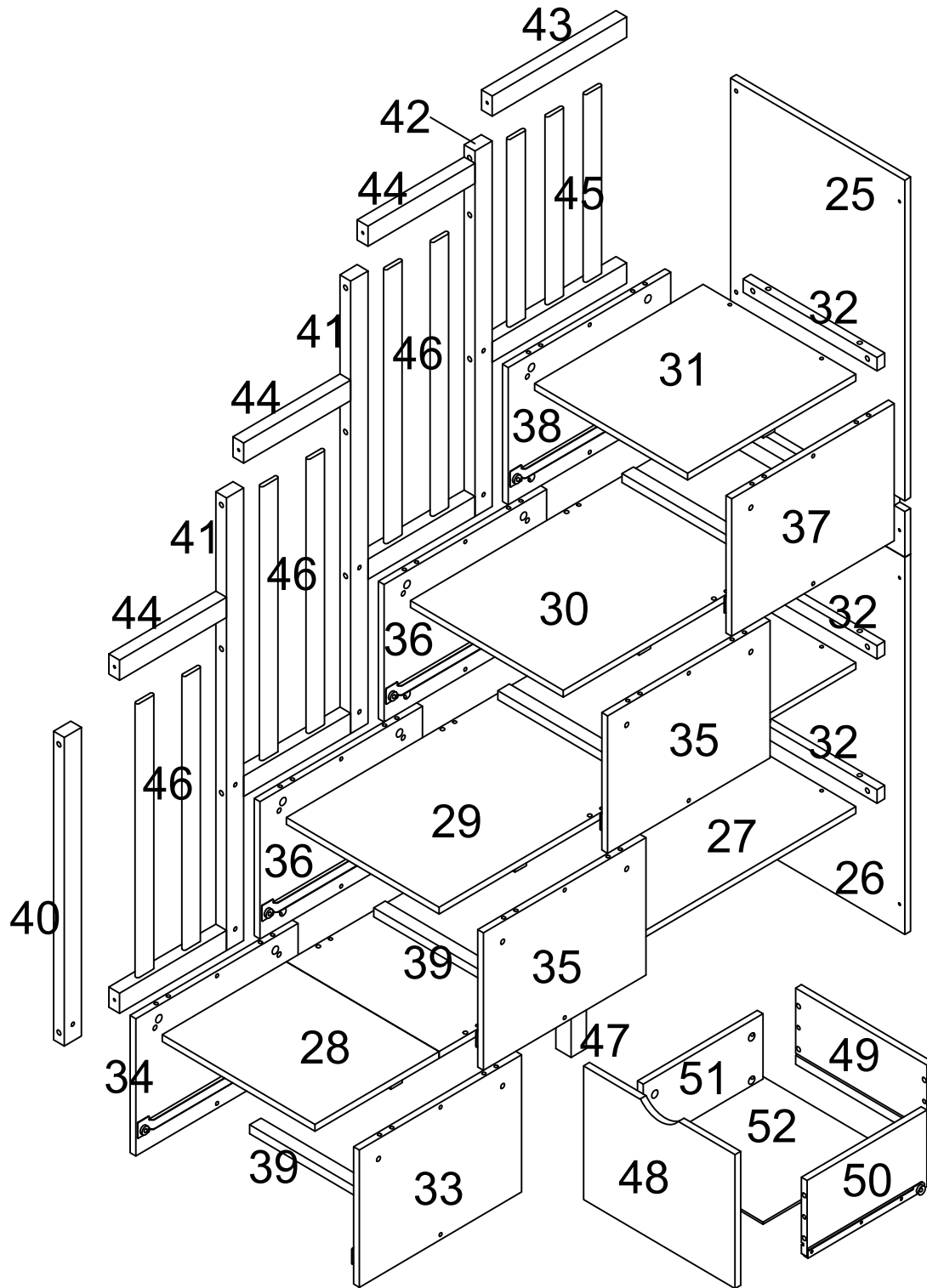
Bed Type	Length	Width	Thickness
Full Standard	74" - 75"	53" - 54"	8"

2. Replacement parts, including additional guardrails, maybe obtained from any of our (GIGACLOUD TECHNOLOGY (USA) INC. 18961 ARENTH AVENUE CITY OF INDUSTRY, CA, 91748) dealers
3. Follow the information on the warnings appearing on the upper bunk bed end structure and on the carton. Do not remove warning label from bed.
4. Always use the recommended size mattresses or mattress supports, or both, to help prevent the likelihood of entrapment or falls.
5. Surface of mattress must be at least 5" (127mm) below the upper edge of guardrails.
6. Do not allow children under 6 years of age to use the upper bunk.
7. Periodically check and ensure that the guardrail, ladder, and other components are in their proper position, free from damage, and that all connectors are tight.
8. Do not allow horseplay on or under the bed and prohibit jumping on the bed.
9. Always use the ladder for entering and leaving the upper bunk.
10. Do not use substitute part. Contact the manufacture or dealer for replacement part.
11. Use of a night light may provide added safety precaution for a child using the upper bunk.
12. Always use guardrails on both long sides of the upper bunk. If the bunk bed will be placed next to the wall, the guardrail that runs the full length of the bed should be placed against the wall to prevent entrapment between the bed and wall.
13. The use of water or sleep flotation mattresses is prohibited.
14. STRANGULATION HAZARD - Never attach or hang items to any part of the bunk bed that are not designed for use with the bed; for example, but not limited to, hook, belts and jump ropes.
15. Keep these instruction for future reference.
16. Prohibit more than one person on upper bunk
17. We recommend assembling your bunk bed on the shipping carton to protect your floor or carpet.
18. Be certain all staples are out of the box before beginning assembly on the shipping carton.

ASSEMBLY INSTRUCTIONS









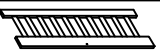
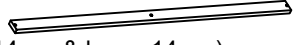

ASSEMBLY INSTRUCTIONS



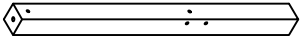

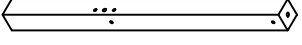
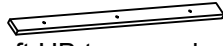


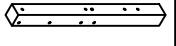
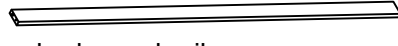
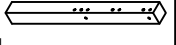
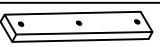
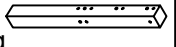


ASSEMBLY INSTRUCTIONS

PATS LIST



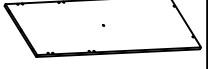






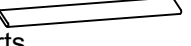

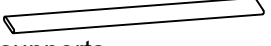






WF286196

7	Upper bed left HB support 	1PC		10	Upper bed HB frames of ladder door	1PC		
53	Upper bed left HB support 	1PC			14	Upper bed left HB panel	1PC	
8	Lower bed left & right HB frames 	2PCS				15	Upper bed left HB panel	1PC
9	Upper bed right HB frames 	1PC					20	slats : upper 14pcs & lower 14pcs)
54	Drawer stoper 	4PCS						

WF286197 (Hardware in this #SKU)

1	Lower bed right back & left front leg 	2PCS		12	Upper bed right HB top panel	1PCS			
2	Lower bed right front & left back leg 	2PCS			13	Upper bed left HB top panel	1PC		
3	Upper bed left front leg 	1PC				16	Upper & Lower side rails	4PCS	
4	Upper bed left back leg 	1PC					17	Upper bed guard rails	4PCS
5	Upper bed right front leg 	1PC						18	Upper bed guard rails support
6	Upper bed right back leg 	1PC						19	Upper & Lower center rails
11	Lower bed HB top panel 	2PCS							


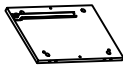

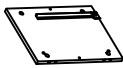

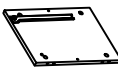
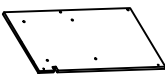

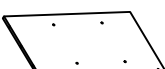





WF286198

23	Bed bottom drawer side panels 	4PCS		41	Storage ladder support	2PCS		
27	Storage ladder panel 	1PC			42	Storage ladder support	1PC	
28	Storage ladder panel 	1PC				43	Storage ladder supports	2PCS
29	Storage ladder panel 	1PC					44	Storage ladder supports
30	Storage ladder panel 	1PC					45	Storage ladder supports
31	Storage ladder panel 	1PC					46	Storage ladder supports
32	Storage ladder support 	4PCS					47	Storage ladder support
39	Storage ladder panel 	8PCS					48	Drawer front panels
40	Storage ladder support 	1PC					49	Drawer side panels



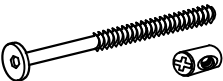
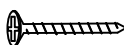
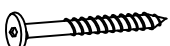
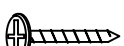
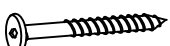

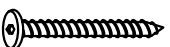







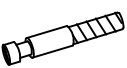

ASSEMBLY INSTRUCTIONS

PATS LIST

WF286199

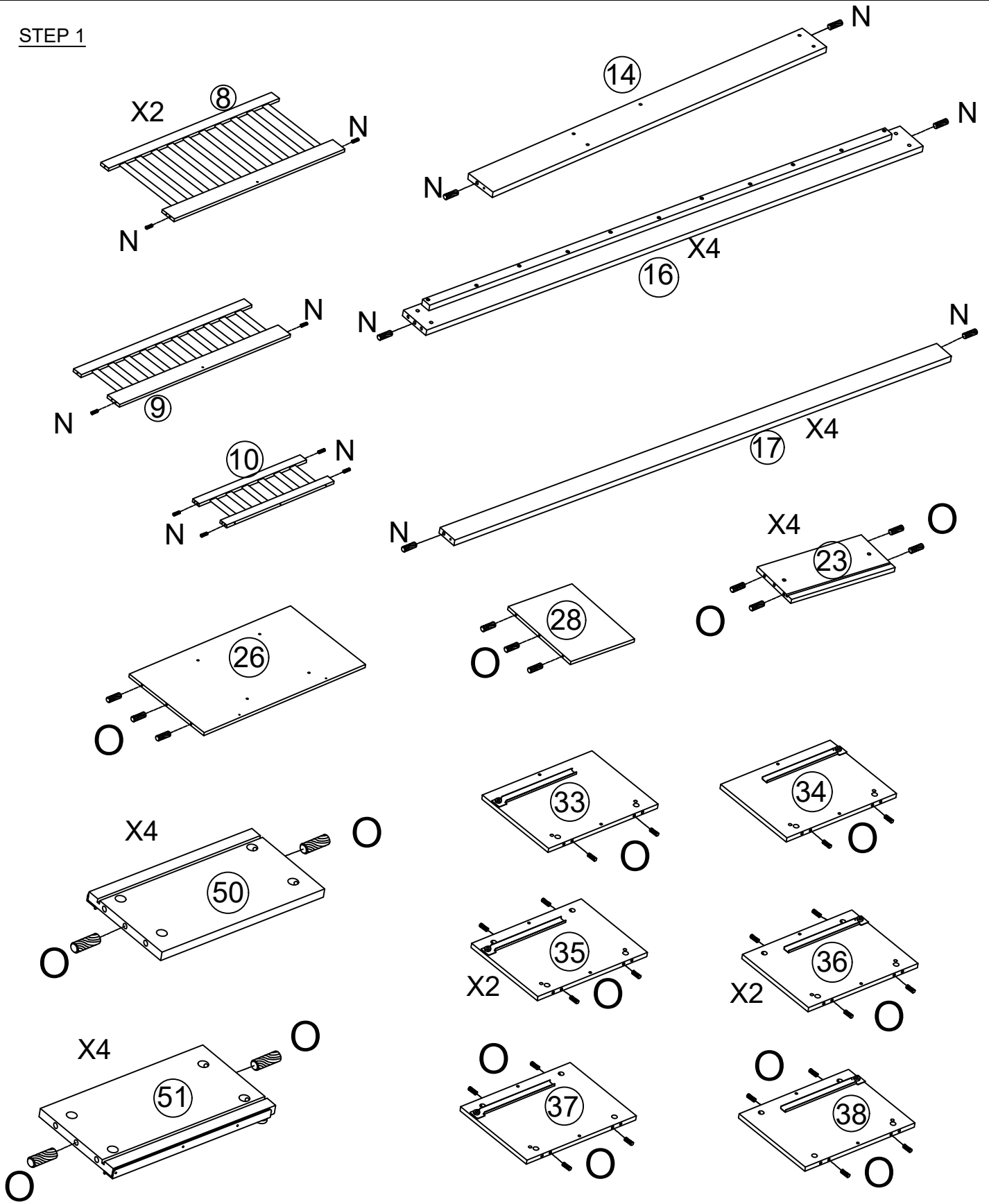
21	Bed bottom drawer front panels 	2PCS	35	Storage ladder right side panel 	2PCS
22	Bed bottom drawer back panels 	2PCS	36	Storage ladder left side panel 	2PCS
24	Bed bottom drawer bottom panels 	2PCS	37	Storage ladder right side panel 	1PC
25	Storage ladder back panel 	1PC	38	Storage ladder left side panel 	1PC
26	Storage ladder back panel 	1PC	50	Drawer right side panels 	4PCS
33	Storage ladder right side panel 	1PC	51	Drawer left side panels 	4PCS
34	Storage ladder left side panel 	1PC	52	Drawer bottom panels 	4PCS

HARDWARE LIST (WF286197)

A	1/4x110 	16PCS	J		60PCS
B	1/4x60 	8PCS	K	M4x30 	118 PCS
C	6.5x100 	31PCS	L	M4x15 	2 PCS
D	6.5x70 	14 PCS	M	Ø10x100 	4PCS
E	6.5x50 	35PCS	N	Ø10x40 	28 PCS
F	1/4x35 	4 PCS	O	Ø8x30 	66 PCS
G	1/4x40 	15PCS	P	4x58 	1PC
H	1/4x30 	8 PCS	R		1PC
I		60PCS	S		8PCS

ASSEMBLY INSTRUCTIONS

STEP 1



N

Ø10x40



28 PCS

O

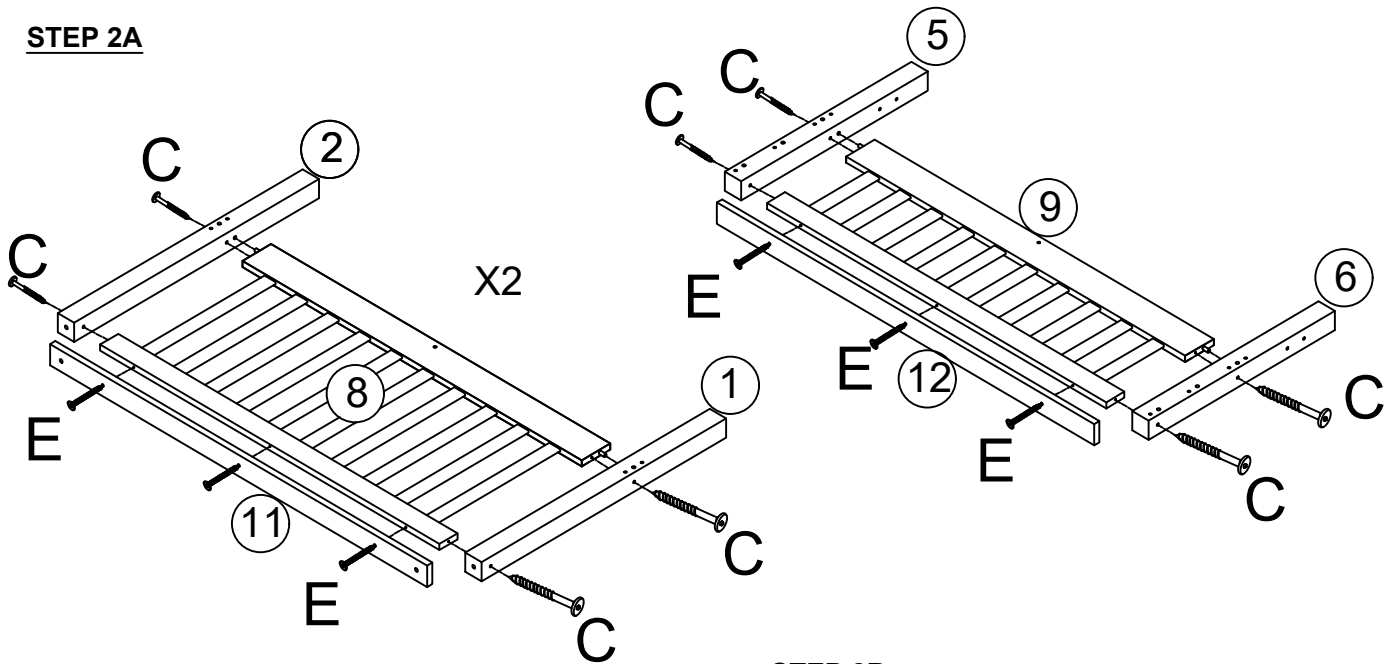
Ø8x30



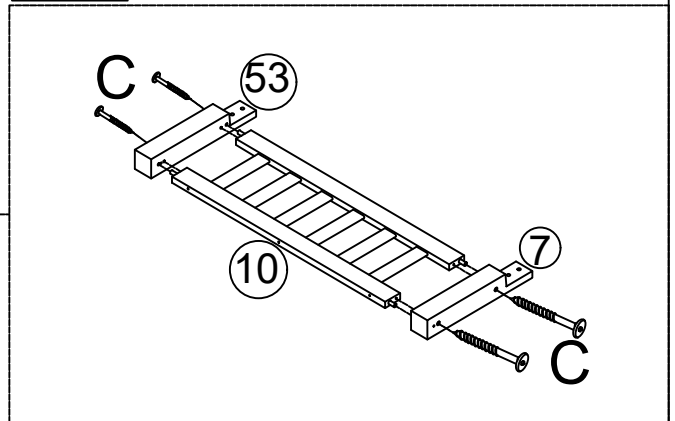
66 PCS

ASSEMBLY INSTRUCTIONS

STEP 2A



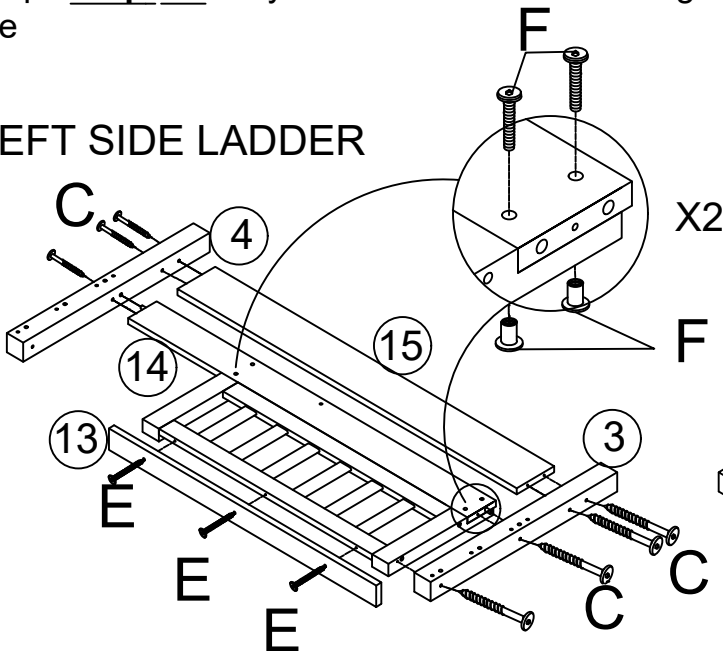
STEP 2B



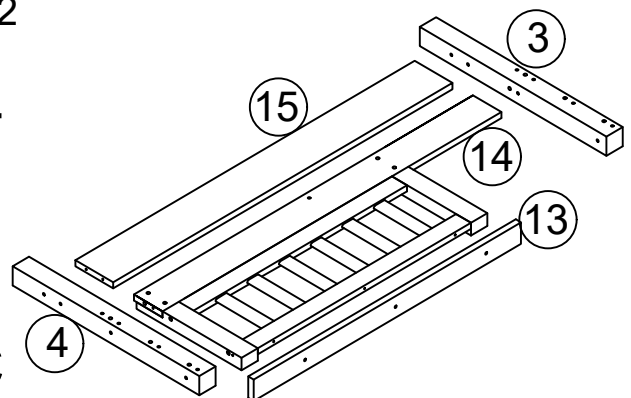
STEP 2C





can change the position of (3) to (4) and turn the group "**Step 2B**" if you want the ladder on right side

LEFT SIDE LADDER



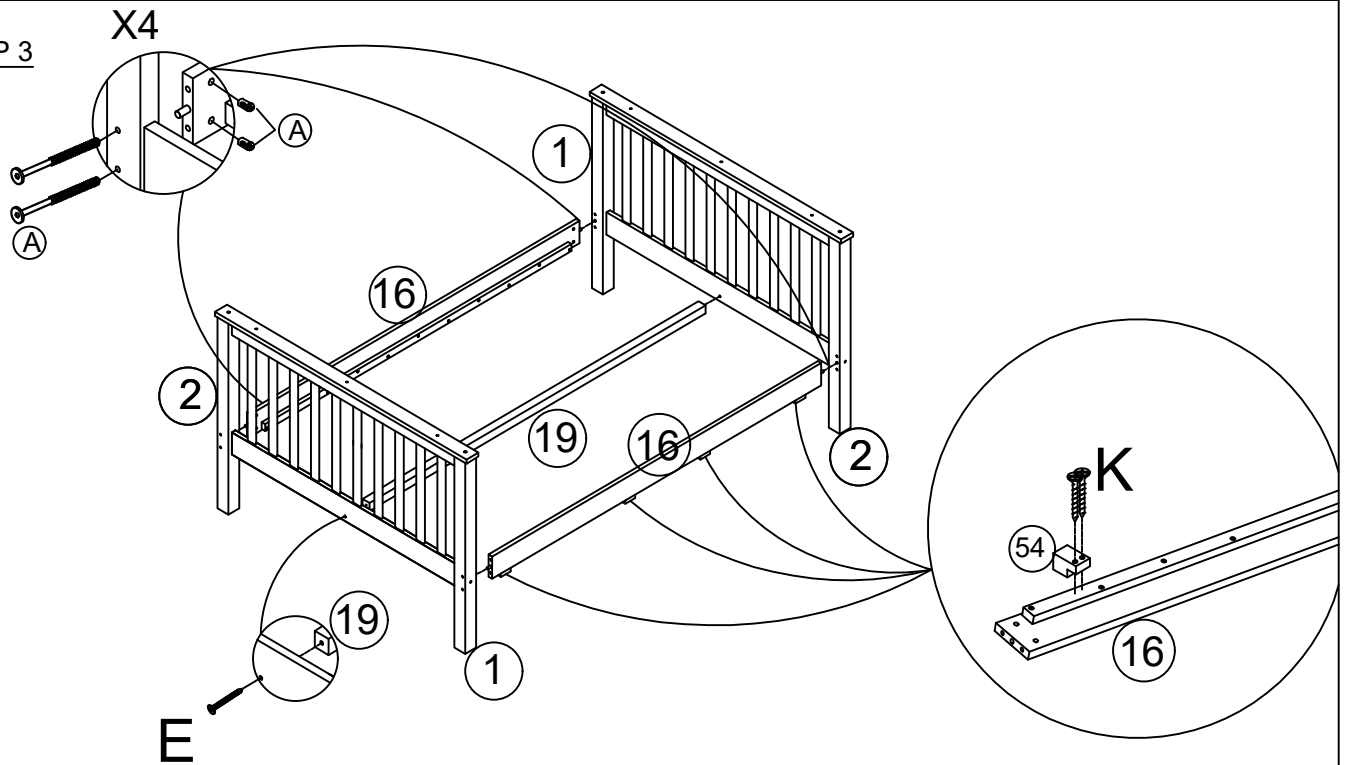
RIGHT SIDE LADDER



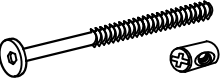



F	1/4x35		4 PCS	E	6.5x50		12 PCS
C	6.5x100		23 PCS	P	4x58		1 PC

ASSEMBLY INSTRUCTIONS

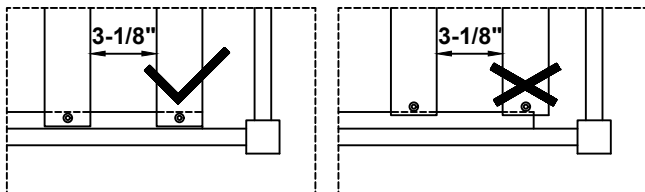
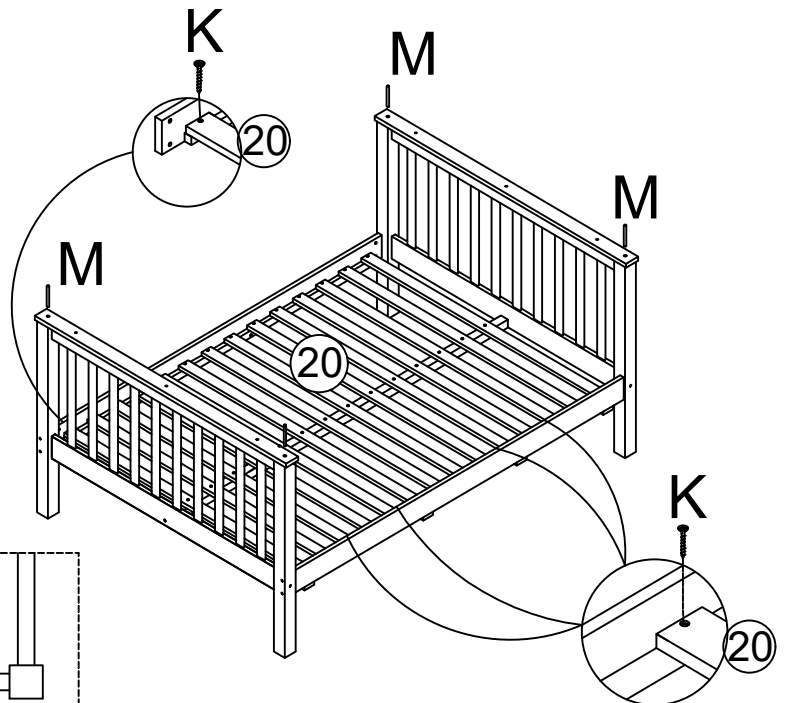
STEP 3



K	M4x30		8 PCS	E	6.5x50		2 PCS
A	1/4x110		8PCS	P	4x58		1 PC

STEP 4

First attach 2pcs part 20 to the front and end of the frame, between side rails. Then attach the remaining part 20 equidistantly between side rails.



Note : Do not lock the screws of the bed slats to the outermost edge of the bed slats, you need to leave a certain space at the edges, otherwise it will cause the board to break

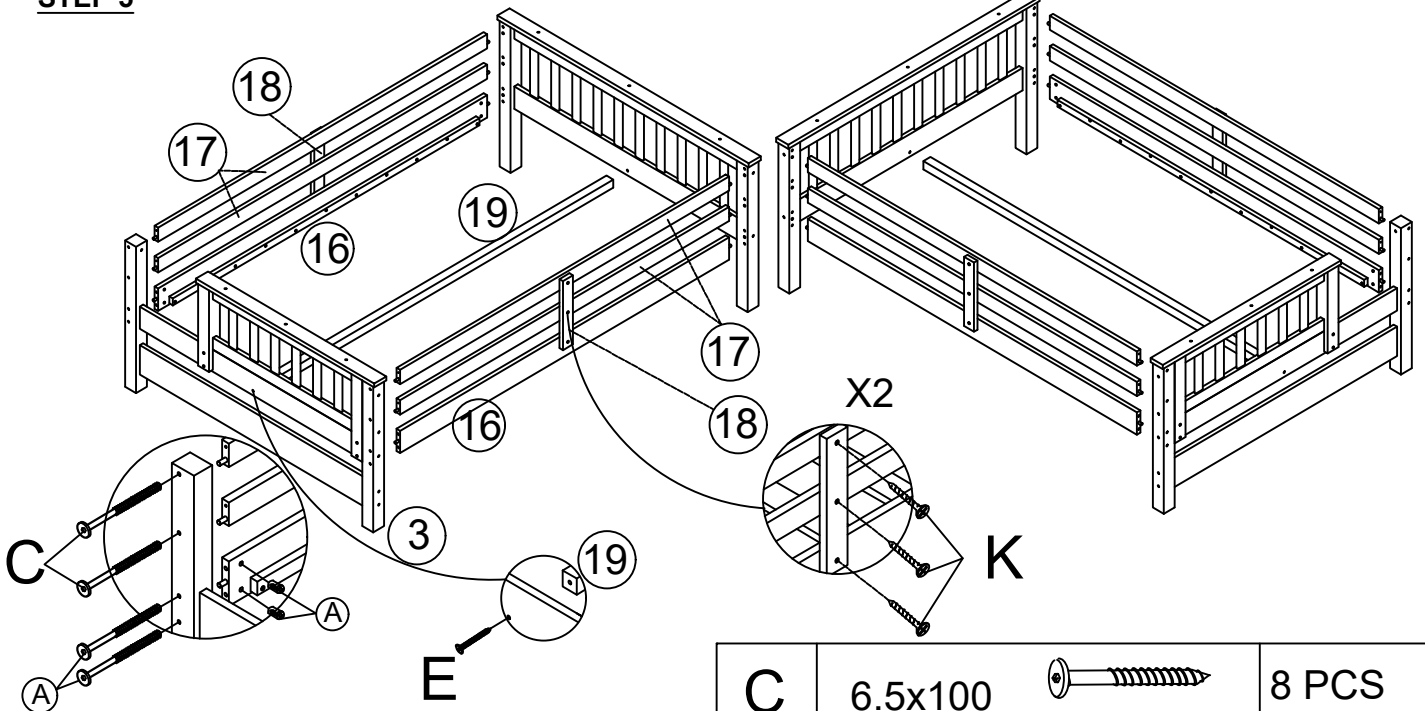
K	M4x30		42 PCS	M	Ø10x100		4PCS
----------	-------	---	--------	----------	---------	---	------

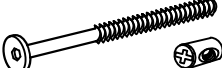

ASSEMBLY INSTRUCTIONS

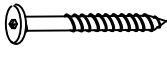


STEP 5

LEFT SIDE LADDER

RIGHT SIDE LADDER



A	1/4x110 	8PCS
E	6.5x50 	2 PCS

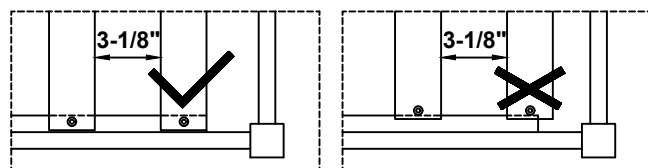
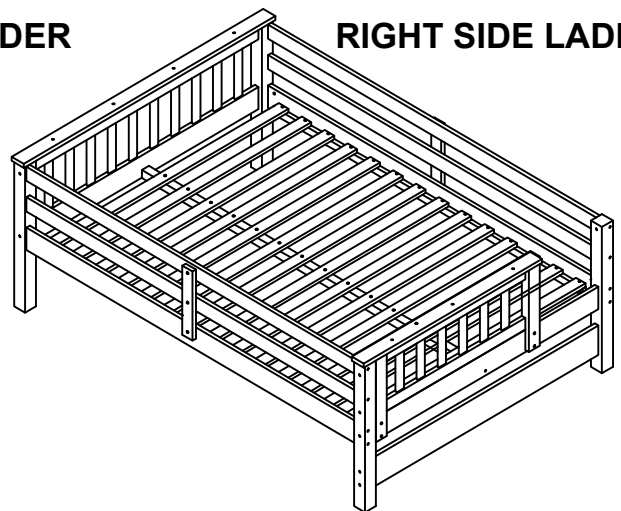
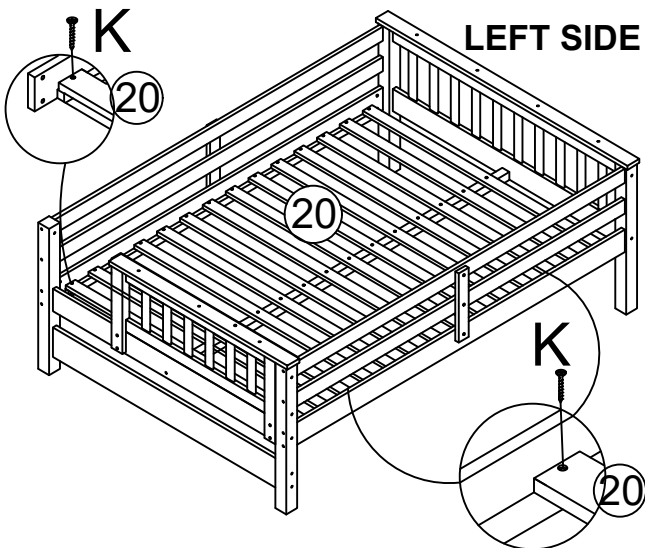
C	6.5x100 	8 PCS
K	M4x30 	6 PCS
P	4x58 	1 PC

STEP 6

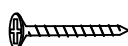
First attach 2pcs part 20 to the front and end of the frame, between side rails. Then attach the remaining part 20 equidistantly between side rails.

LEFT SIDE LADDER

RIGHT SIDE LADDER



Note : Do not lock the screws of the bed slats to the outermost edge of the bed slats, you need to leave a certain space at the edges, otherwise it will cause the board to break

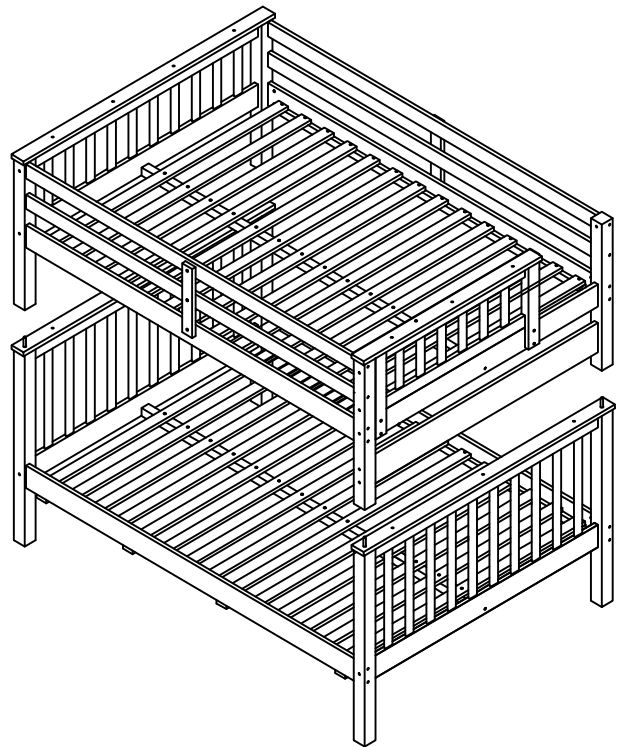
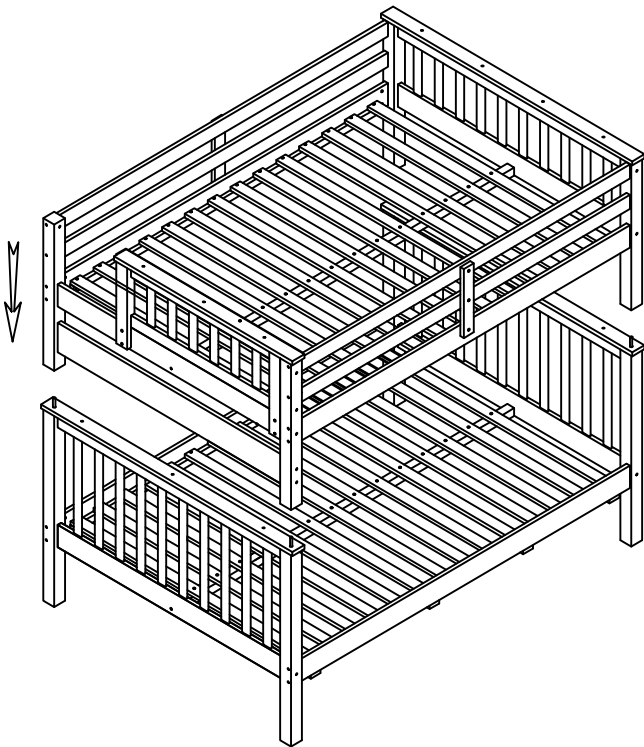
K	M4x30 	42 PCS
----------	---	--------

ASSEMBLY INSTRUCTIONS

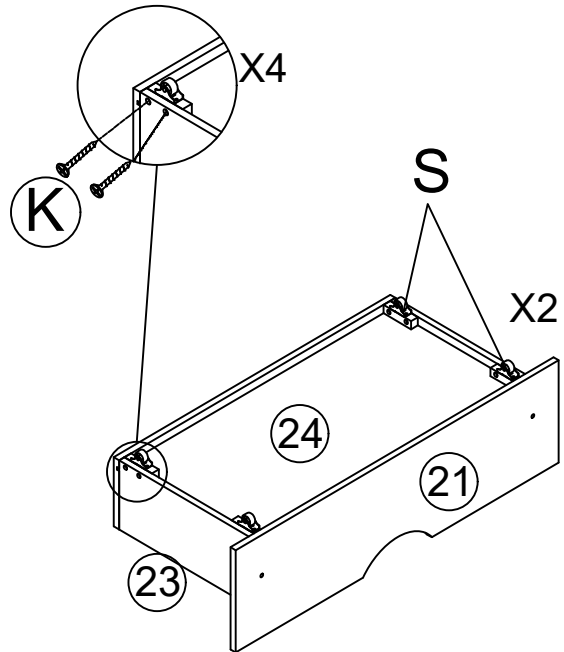
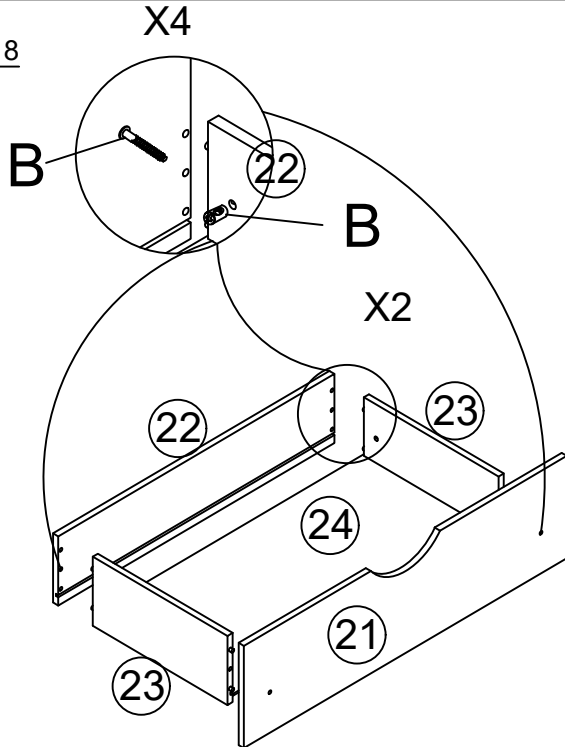
STEP 7


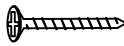
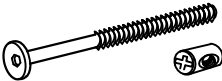

LEFT SIDE LADDER

RIGHT SIDE LADDER



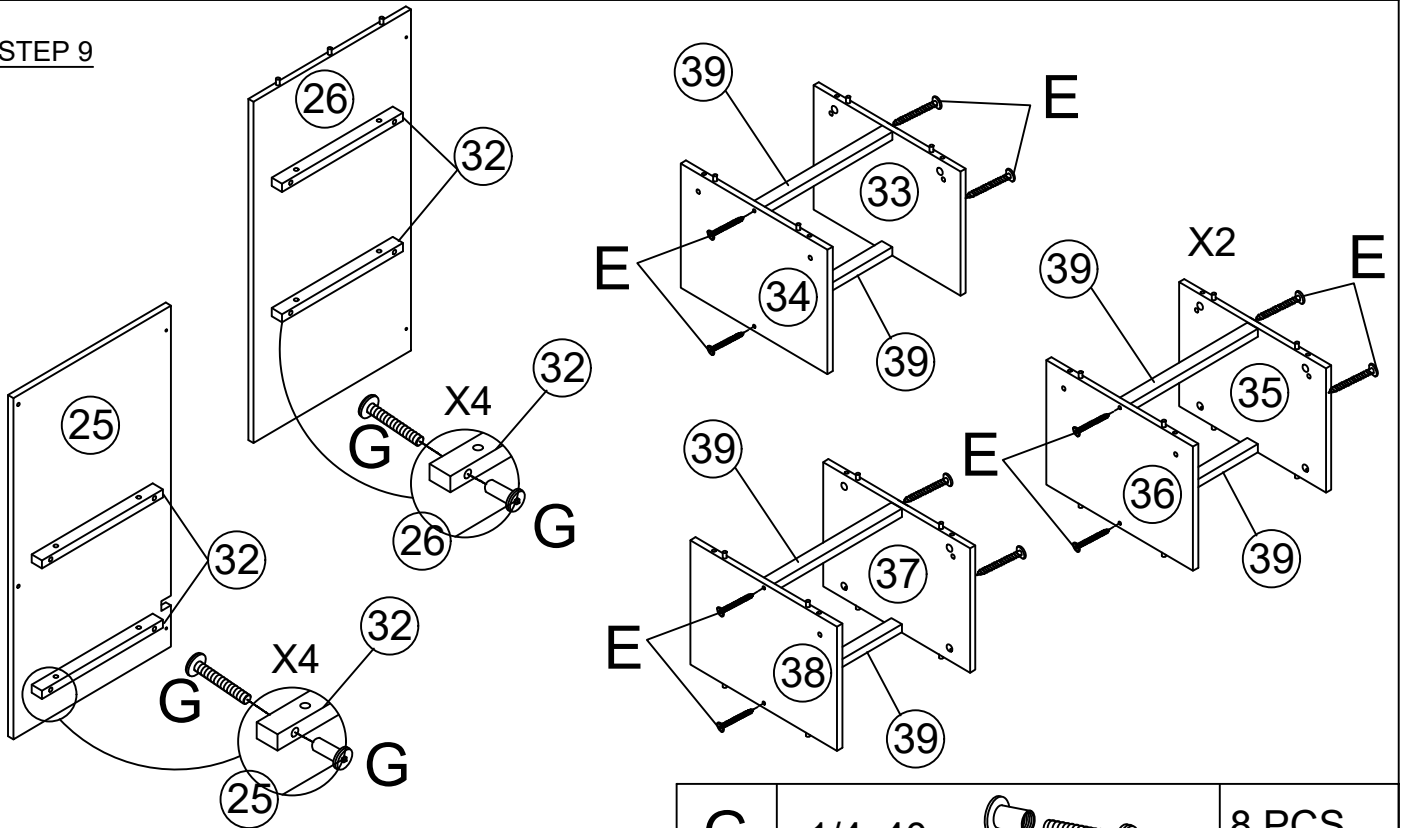
STEP 8


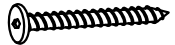



S		8PCS	K	M4x30 	16 PCS
B	1/4x60 	8PCS	P	4x58 	1 PC

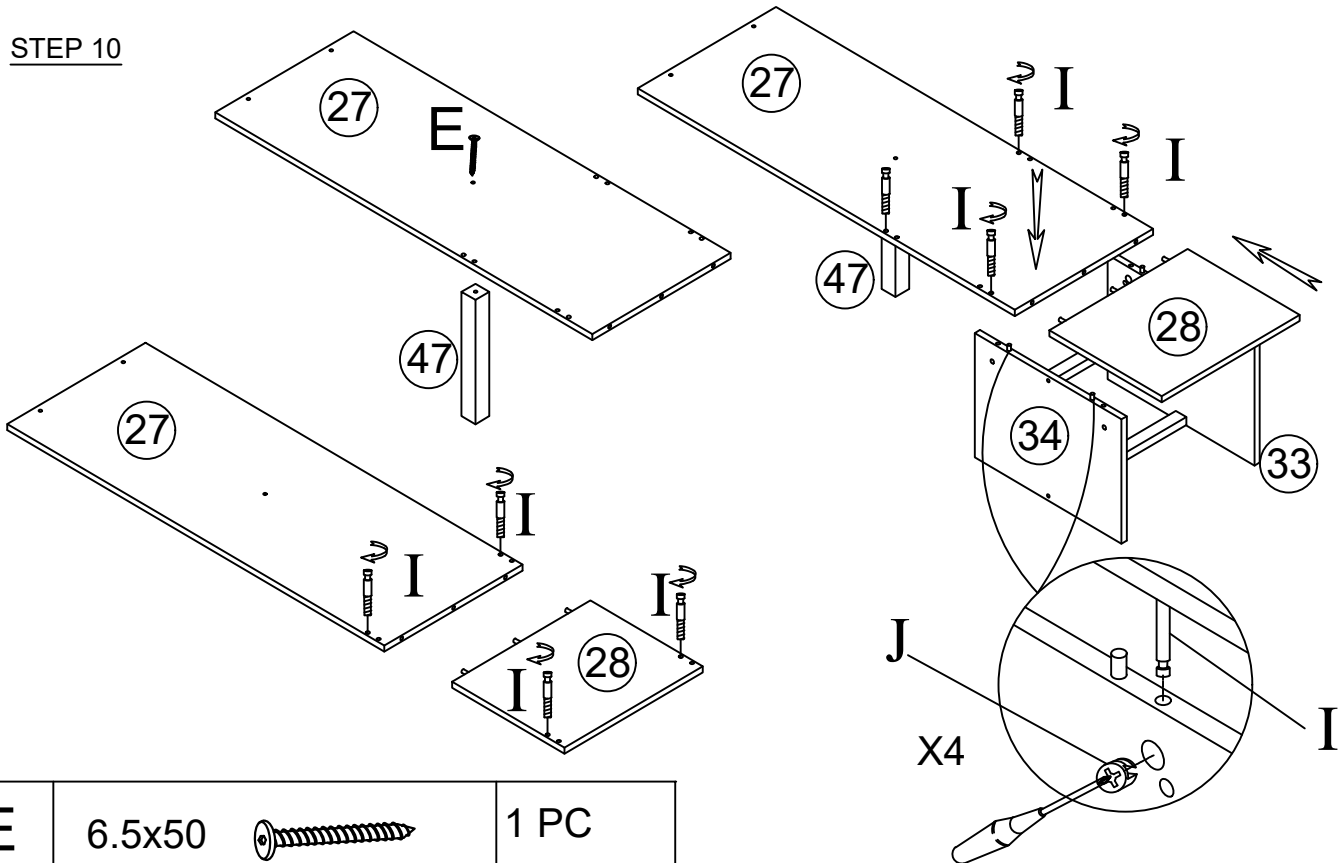
ASSEMBLY INSTRUCTIONS

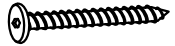
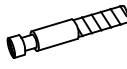

STEP 9



G	1/4x40		8 PCS
E	6.5x50		16 PCS
P	4x58		1 PC

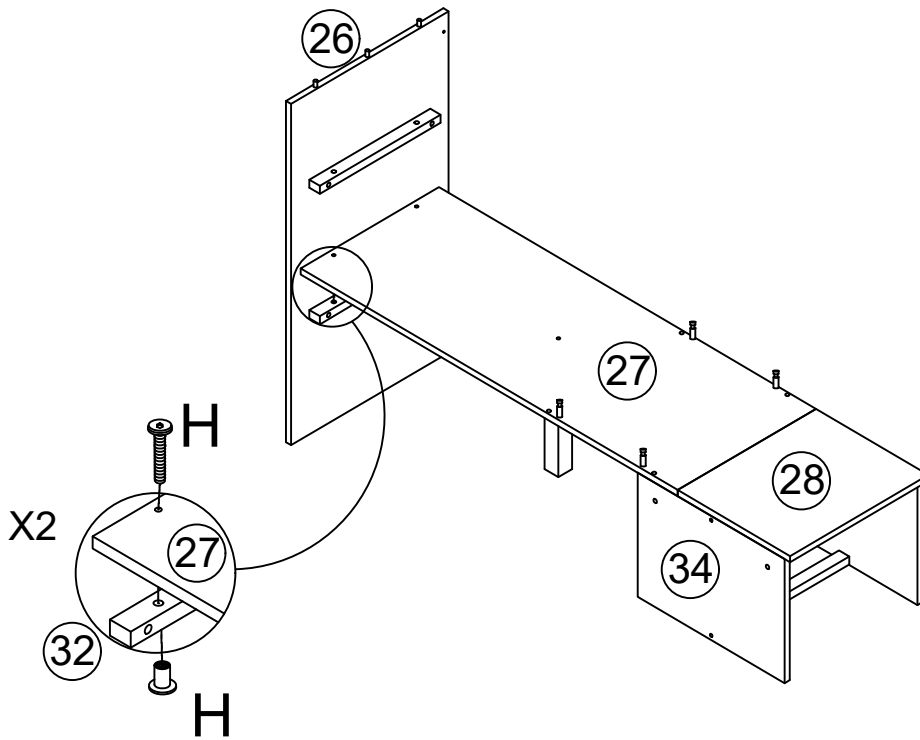
STEP 10





E	6.5x50		1 PC
I			8 PCS
J			4 PCS

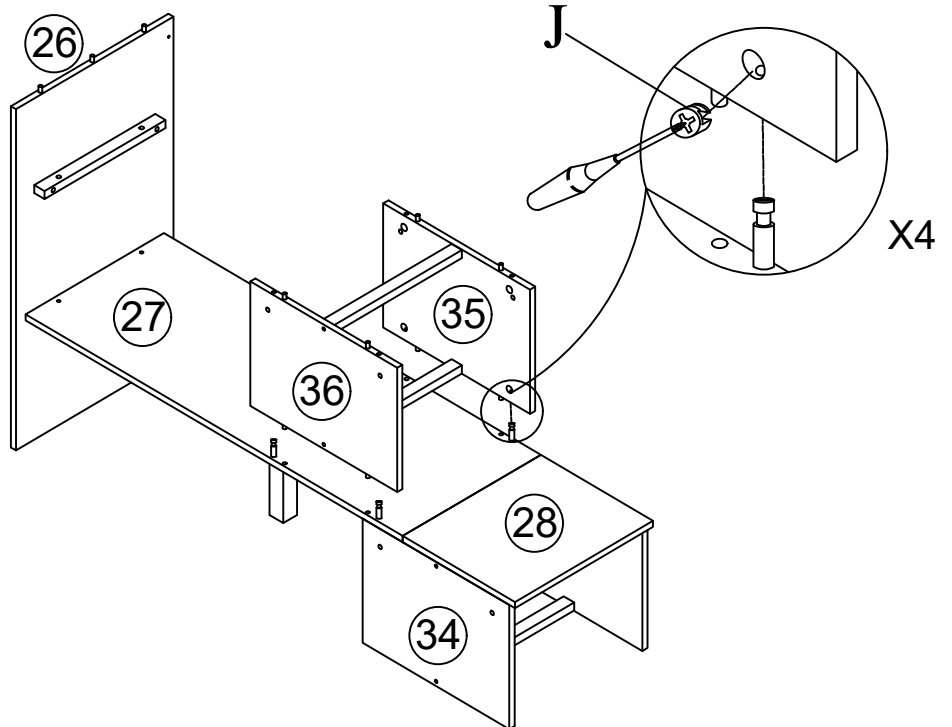
ASSEMBLY INSTRUCTIONS

STEP 11



H	1/4x30		2 PCS	P	4x58		1 PC
----------	--------	---	-------	----------	------	---	------

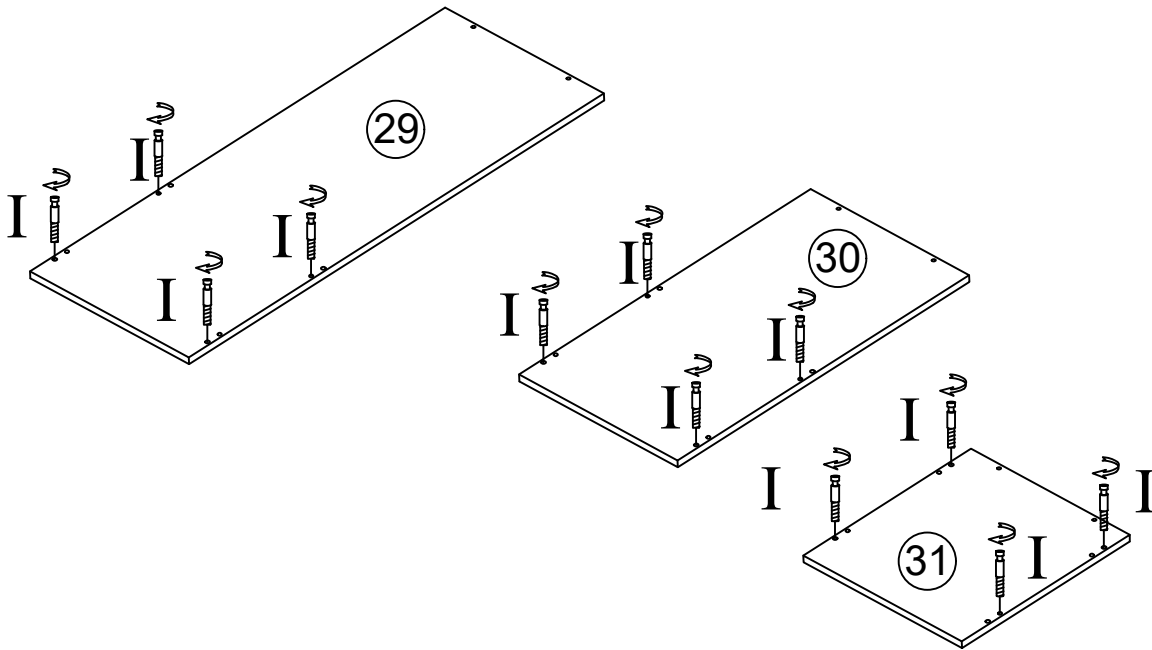
STEP 12



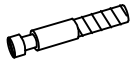
J		4 PCS
----------	---	-------

ASSEMBLY INSTRUCTIONS

STEP 13

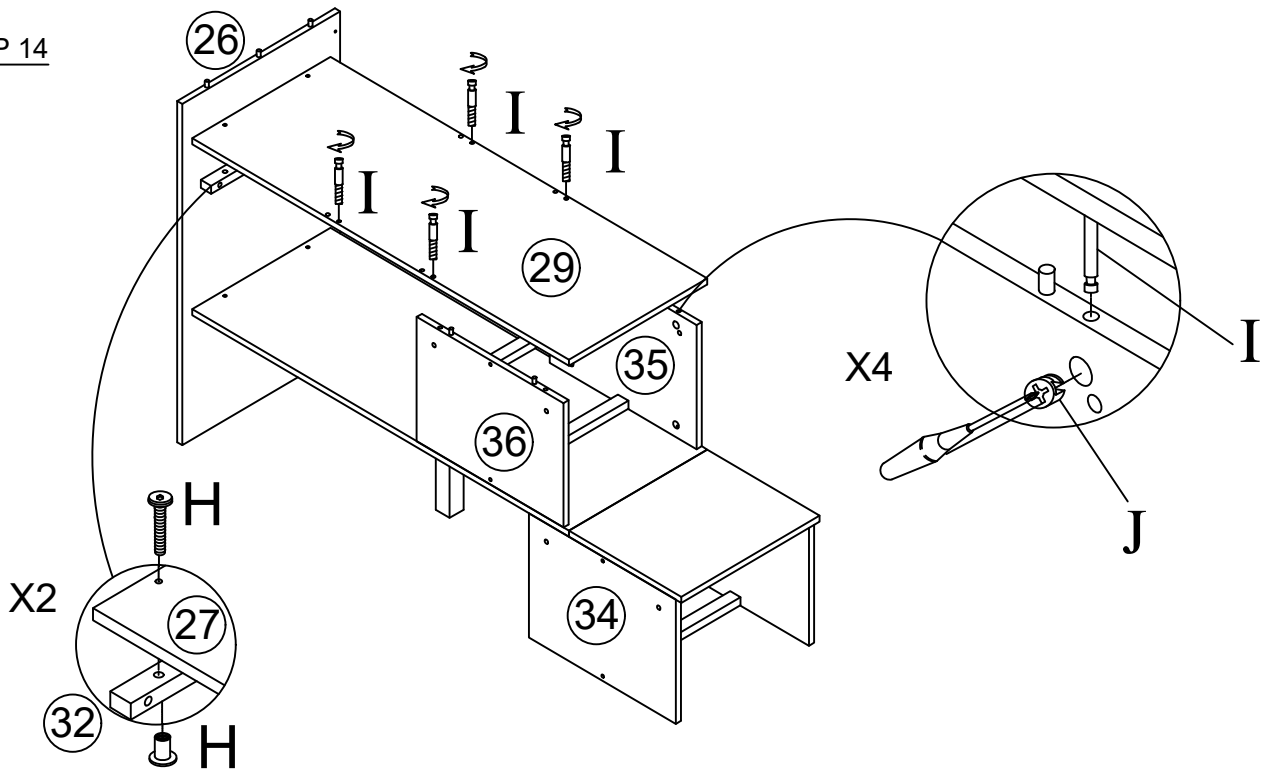


I



12 PCS

STEP 14



H

1/4x30



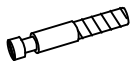
2 PCS

J



4 PCS

I



4 PCS

P

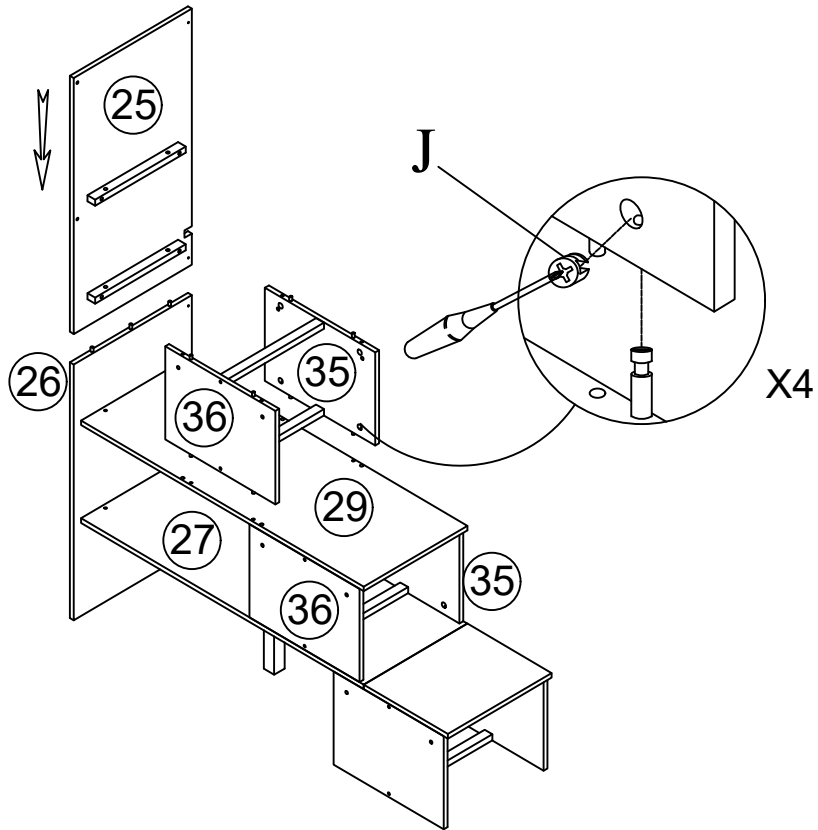
4x58



1 PC

ASSEMBLY INSTRUCTIONS

STEP 15

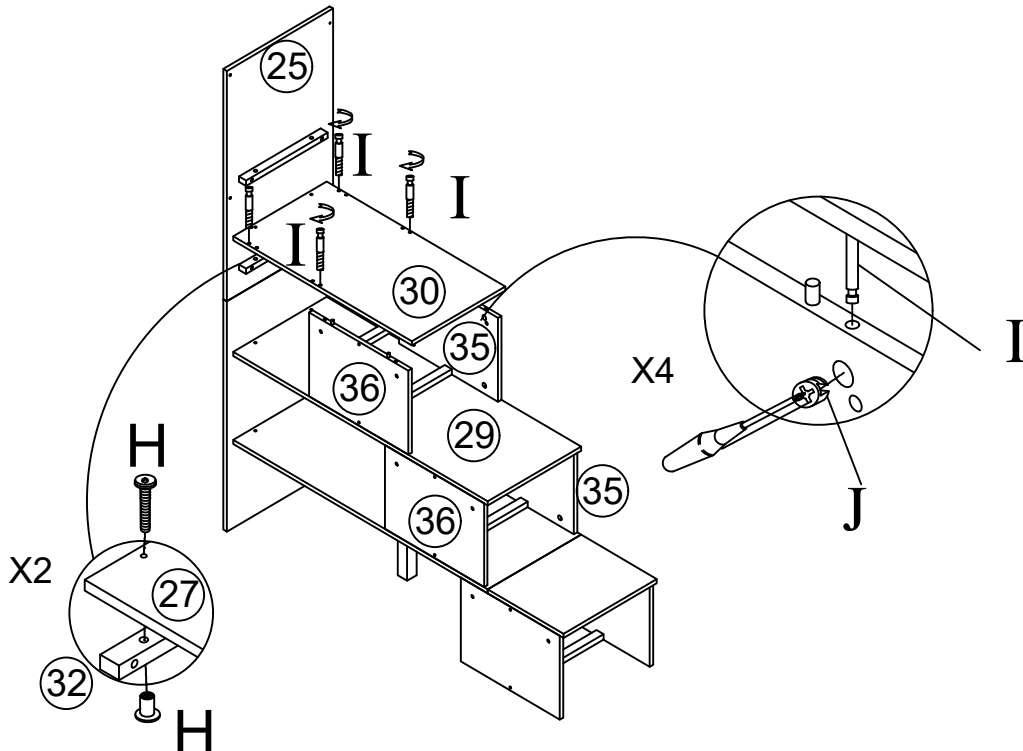


J



4 PCS

STEP 16



H

1/4x30



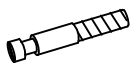
2 PCS

J



4 PCS

I



4 PCS

P

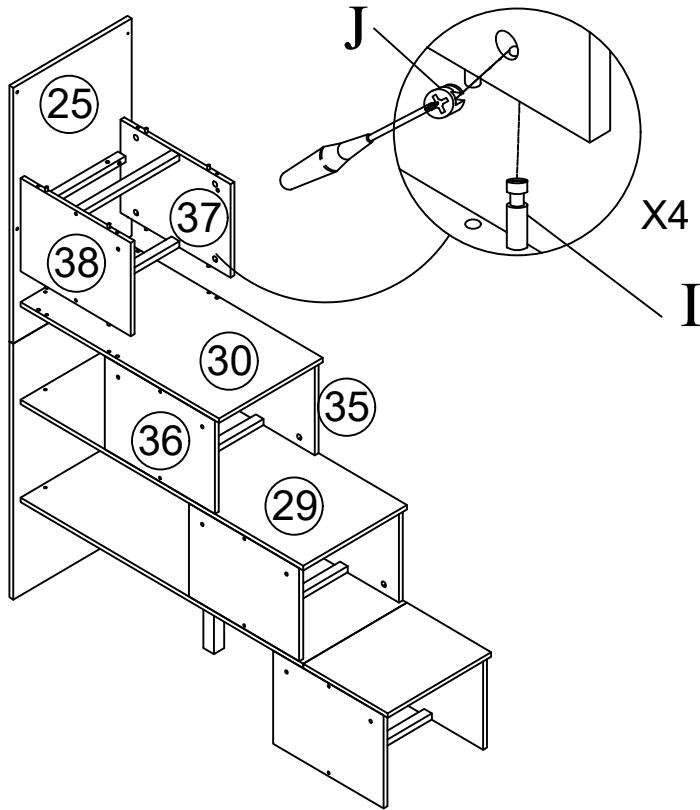
4x58



1 PC

ASSEMBLY INSTRUCTIONS

STEP 17

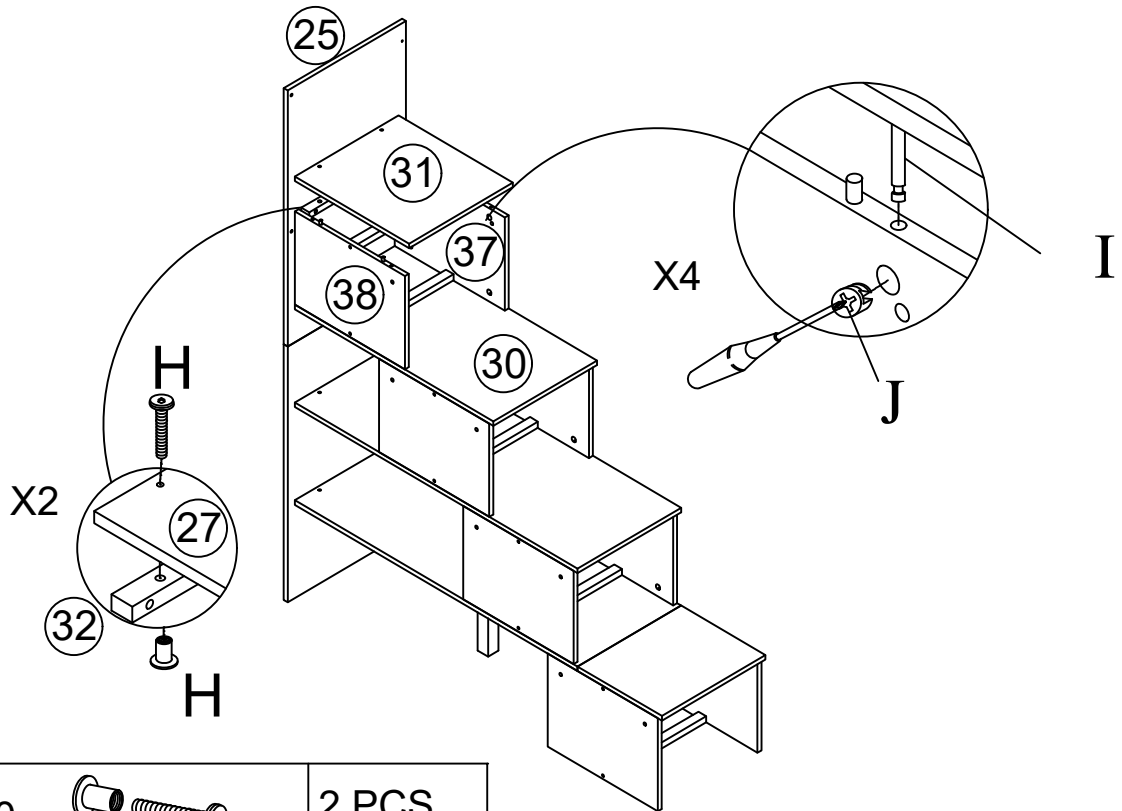


J



4 PCS

STEP 18



H

1/4x30



2 PCS

J



4 PCS

P

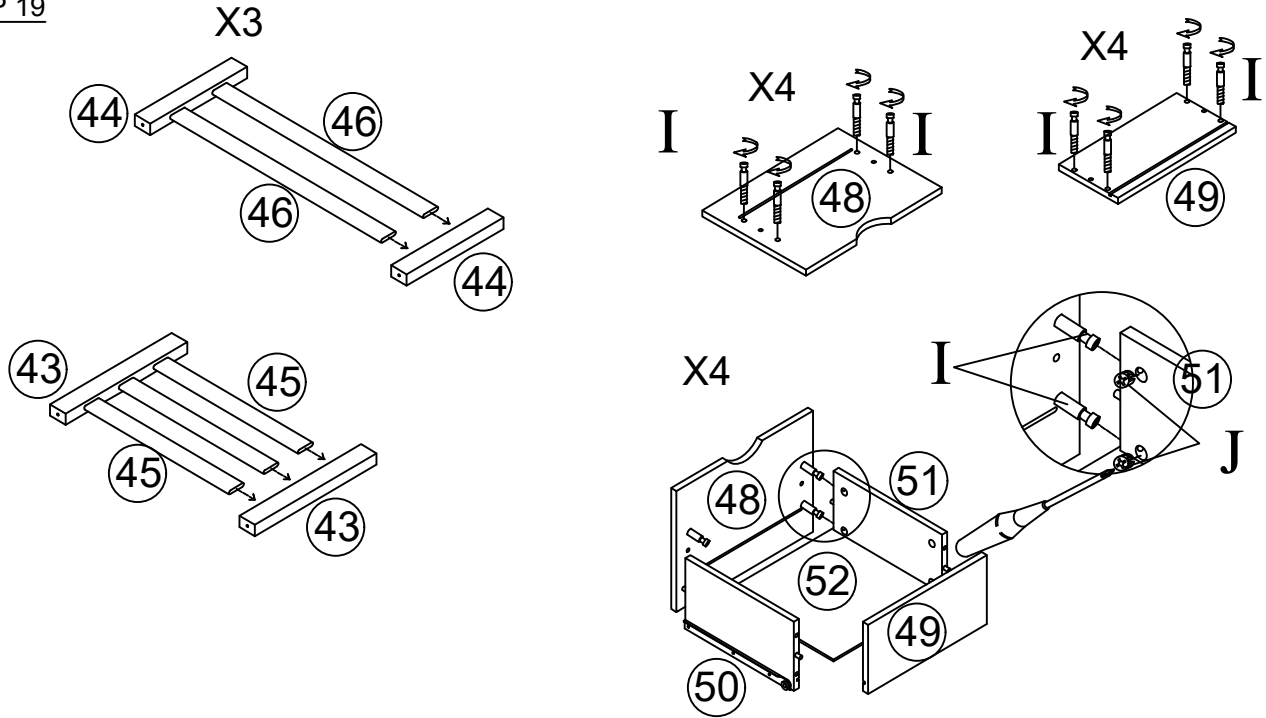
4x58



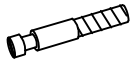
1 PC

ASSEMBLY INSTRUCTIONS

STEP 19



I



32 PCS

J

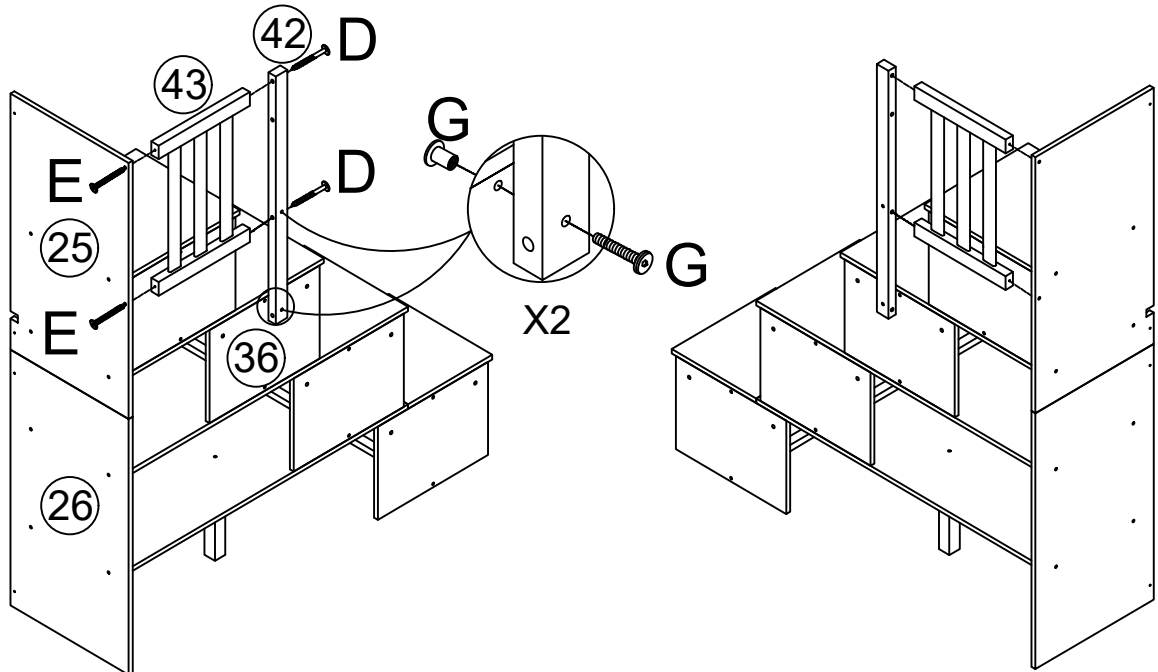


32 PCS

STEP 20

LEFT SIDE LADDER

RIGHT SIDE LADDER



G

1/4x40



2 PCS

E

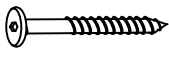
6.5x50



2 PCS

D

6.5x70



2 PCS

P

4x58

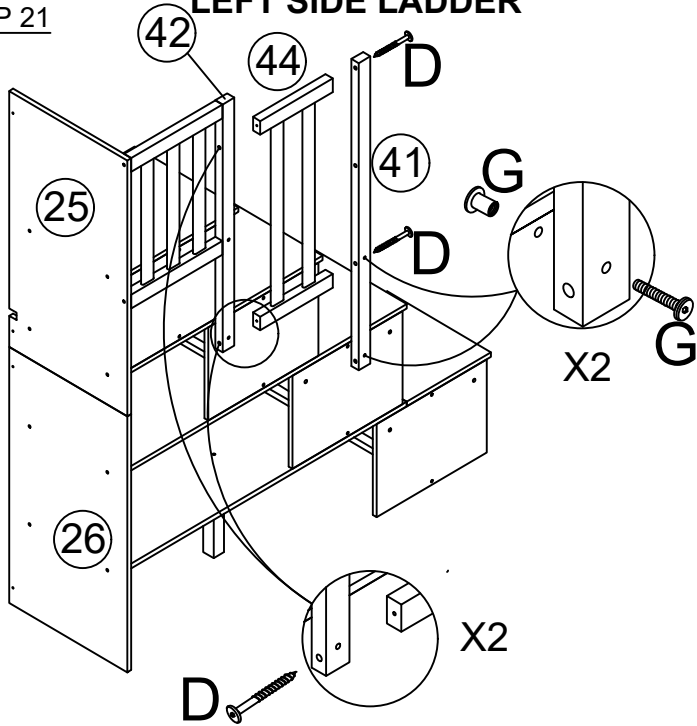


1 PC

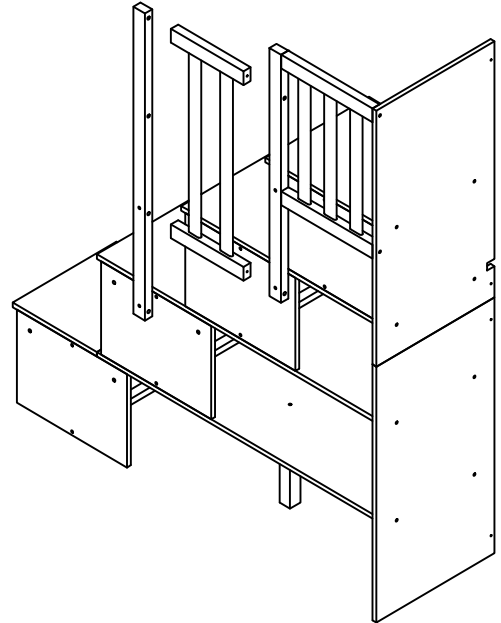
ASSEMBLY INSTRUCTIONS

STEP 21

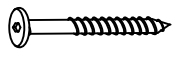
LEFT SIDE LADDER



RIGHT SIDE LADDER



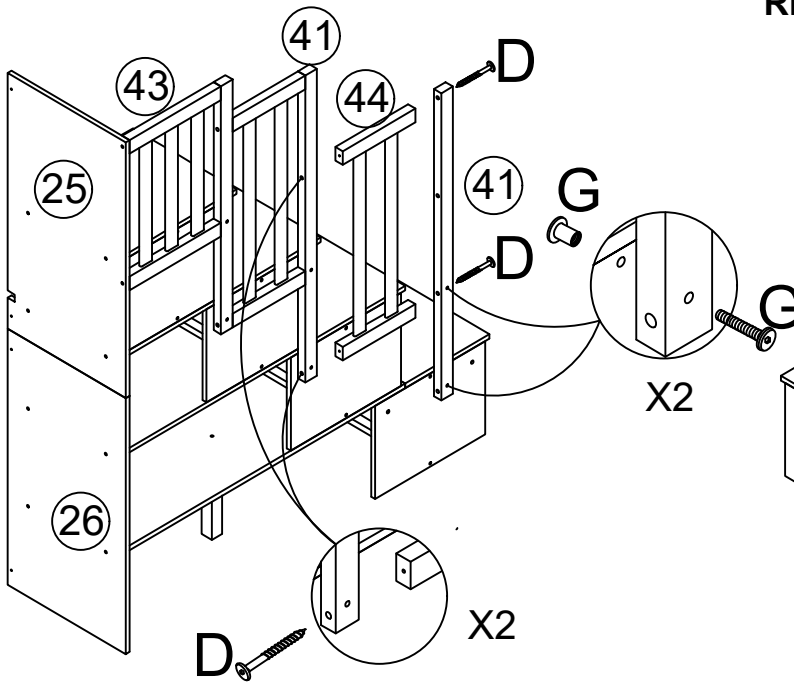
G 1/4x40  2 PCS

D 6.5x70  4 PCS

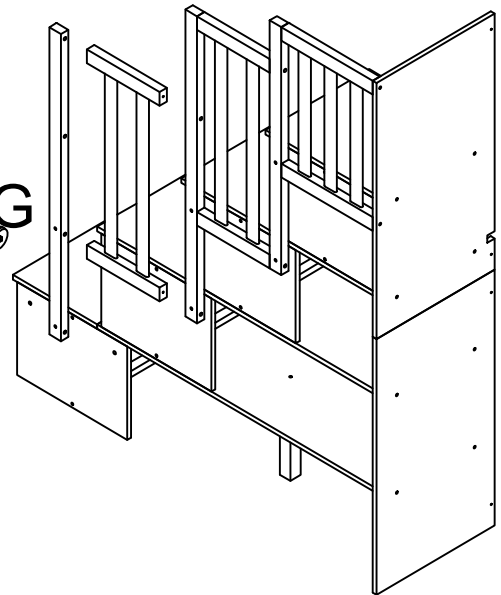
P 4x58  1 PC

STEP 22

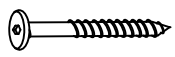
LEFT SIDE LADDER



RIGHT SIDE LADDER



G 1/4x40  2 PCS

D 6.5x70  4 PCS

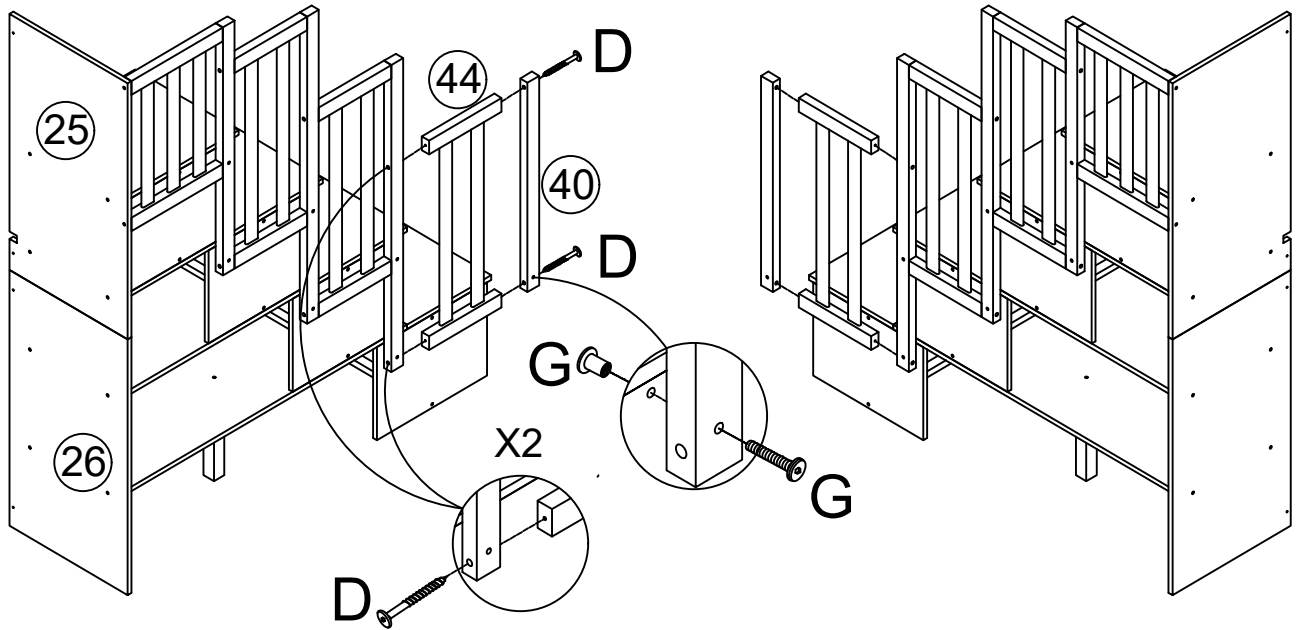
P 4x58  1 PC


ASSEMBLY INSTRUCTIONS

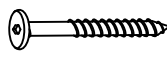
STEP 23

LEFT SIDE LADDER

RIGHT SIDE LADDER



G	1/4x40		1 PC
----------	--------	--	------

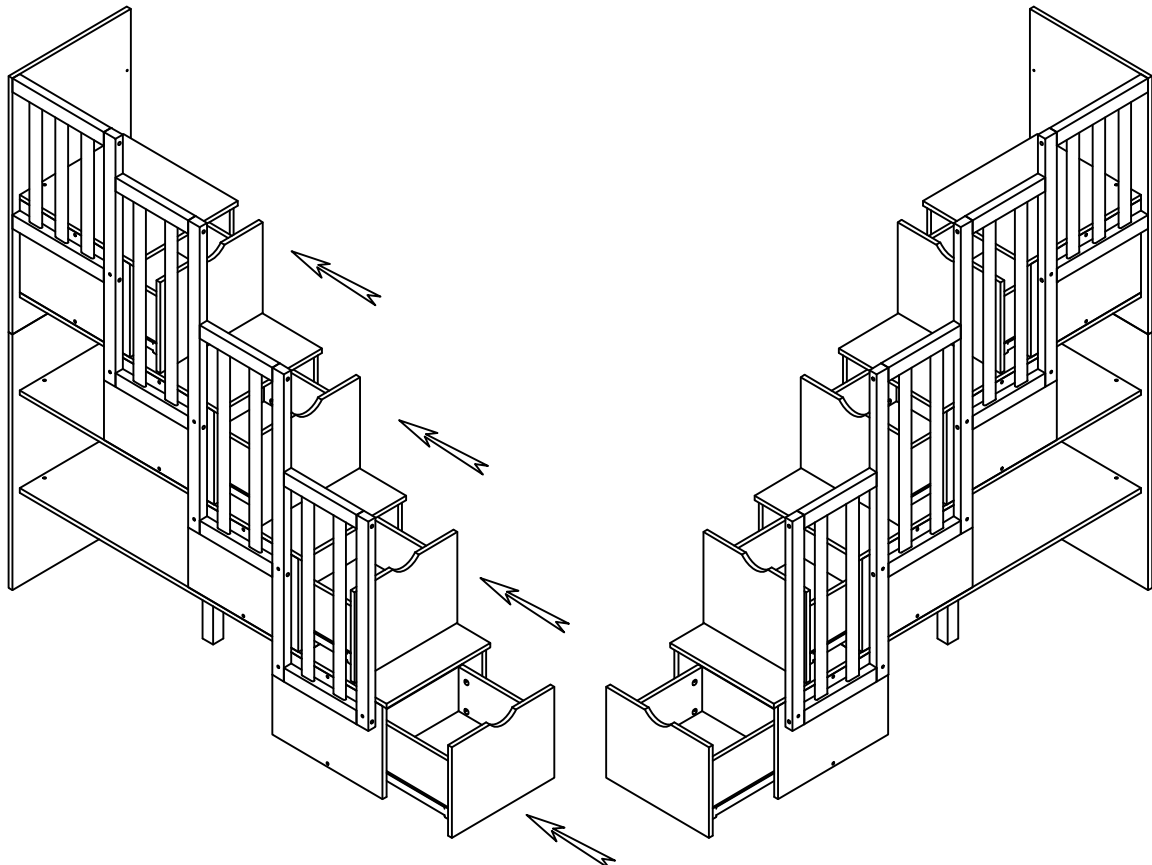
D	6.5x70		4 PCS
----------	--------	---	-------

P	4x58		1 PC
----------	------	---	------

STEP 24

LEFT SIDE LADDER

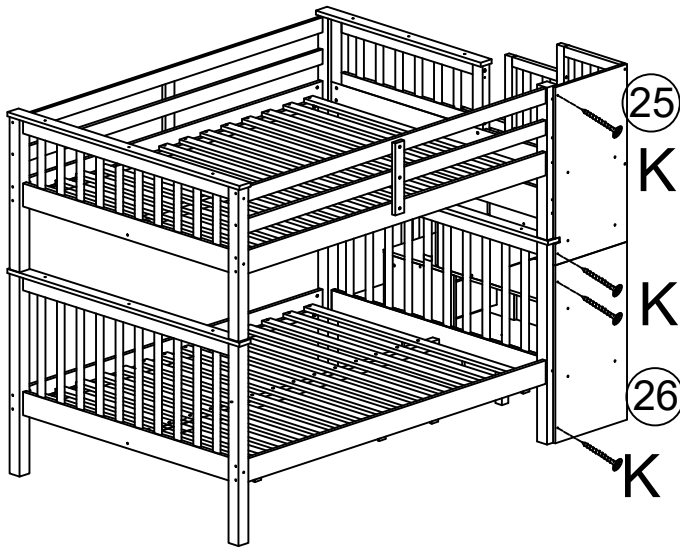
RIGHT SIDE LADDER



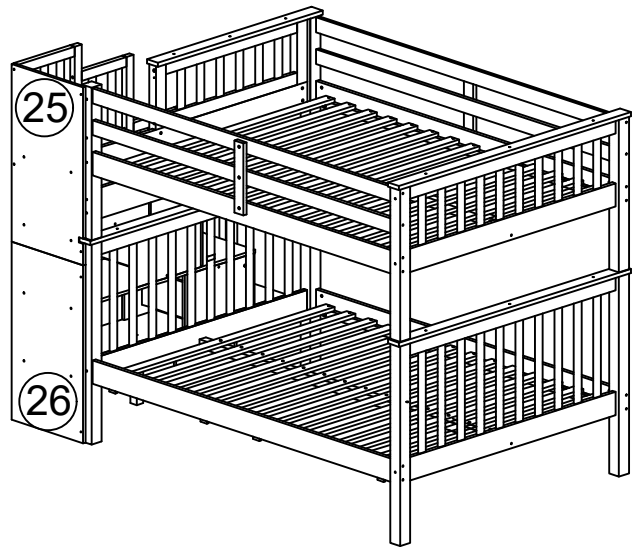
ASSEMBLY INSTRUCTIONS

STEP 25

LEFT SIDE LADDER

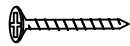


RIGHT SIDE LADDER



K

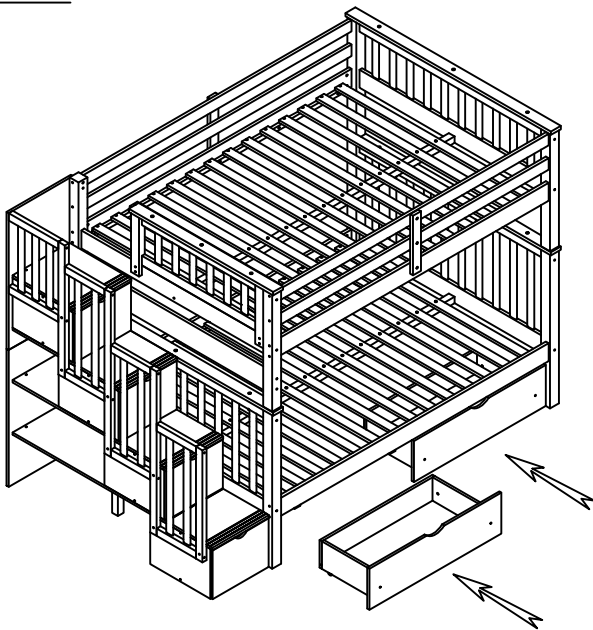
M4x30



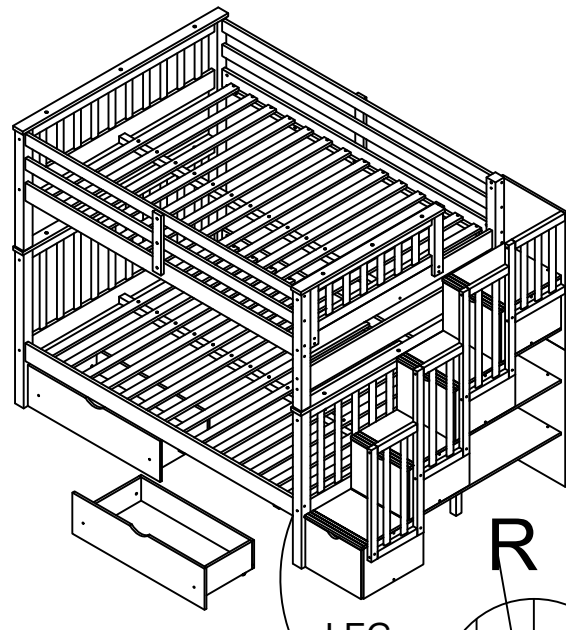
4 PCS

STEP 26

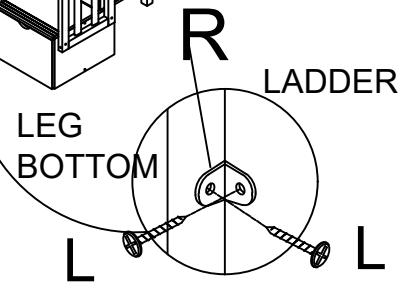
LEFT SIDE LADDER



RIGHT SIDE LADDER



COMPLETED



R



1PC

L

M4x15



2 PCS