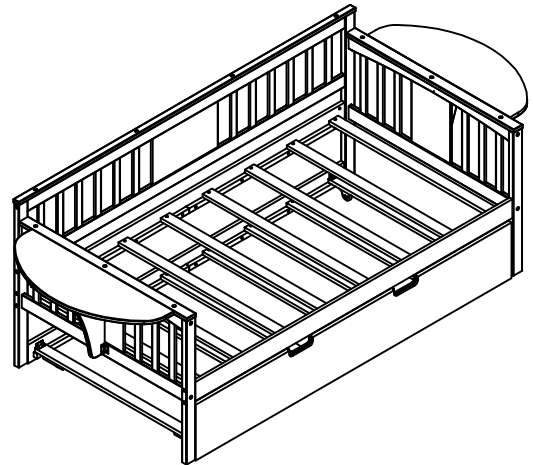


ASSEMBLY INSTRUCTIONS

TWIN BED + TRUNDLE

Thank you for purchasing this quality product. Be sure to check all packing materials carefully for small parts which may have come loose inside the carton during shipment. Separate, identify and count all parts and hardware. Compare with the parts list to be sure all parts are present.



**"DO NOT TIGHTEN SCREWS
UNTIL COMPLETELY ASSEMBLED"**

SIZE OF MATTRESS AND FOUNDATION (SUPPORT)

This bed is designed to use a twin mattress (37½"-38½"x74-75") and bunkie board (37½"x74"). The total thickness must not exceed 6" inches. Do not use mattress without the proper bunkie board of safe foundation.

Note: There must be at least 5" inches from top surface of mattress to top edge or guardrails.

REPLACEMENT PARTS.

Replacement parts, including additional guardrails, may be obtained from place of purchase or original distributor.

SAFETY WARNINGS!

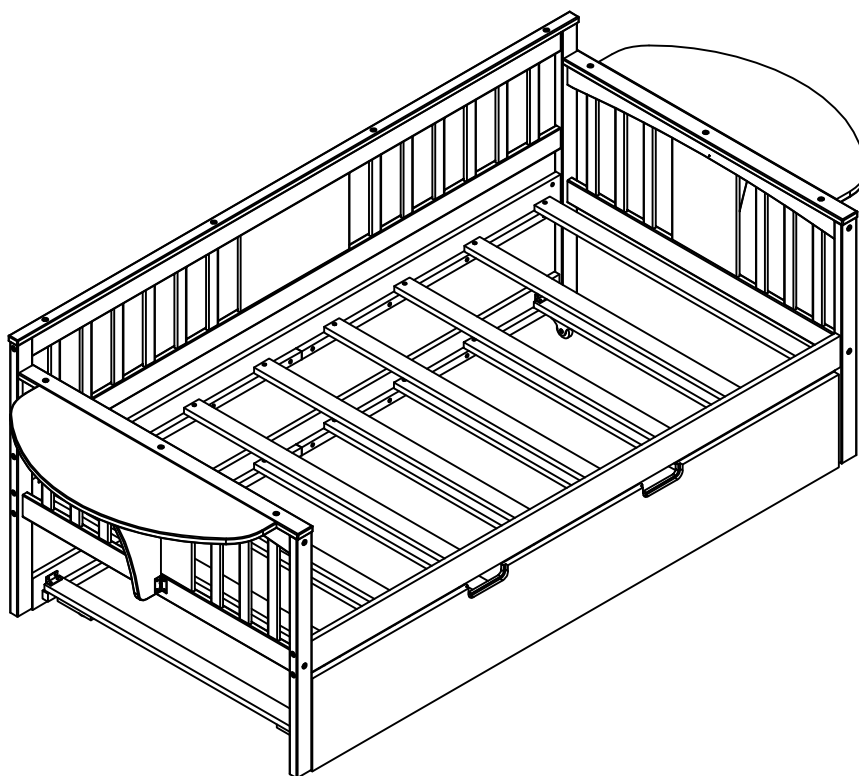
- 1-Follow the information on the warning label appearing on the upper bunk end structure and on the carton. Do not remove warning label from bed.
- 2-Always use the recommended size mattress or mattress support, or both, to help prevent the likelihood of entrapment or falls.
- 3-Surface of mattress must be at least 5 inches below the upper edge of guardrails.
- 4-Do not allow children under 6 years of age to use the upper bunk.
- 5-prohibit more than one person on upper bunk.
- 6-Periodically check and ensure that the guardrail, ladder and other components are in their proper position free from damage, and that all connectors are tight.
- 7-Do not allow horseplay on or under the bed and prohibit jumping on the bed.
- 8-Always use the ladder for entering and leaving the upper bunk.
- 9-Do not use substitute parts. Contact distributor or dealer for replacement parts.
- 10-Use of a night light may provide added safety precaution for a child using the upper bunk.
- 11-If the bunk bed will be placed next to a wall, the guardrail that runs the full length of the bed should be placed against the wall to prevent entrapment between the bed and the wall.
- 12-Always use guardrails on both long sides of the upper bunk.
- 13-The use of water or sleep flotation mattresses is prohibited.
- 14-Keep these instructions for future reference.
- 15-Strangulation Hazard - Never attach or bang items to any part of the bunk bed that are not designed for use with the bed: for example, but not limited to, hooks, belts, and jump ropes, etc.



IMPORTANT: PLEASE READ INSTRUCTIONS BEFORE STARTING THE ASSEMBLY

ASSEMBLY INSTRUCTIONS

TWIN BED + TRUNDLE



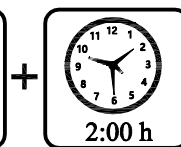
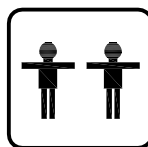
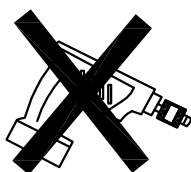
Thank you for purchasing this quality product. Be sure to check all packing materials carefully for small parts which may have come loose inside the carton during shipment. Separate, identify and count all parts and hardware.

Compare with the parts list to be sure all parts are present.

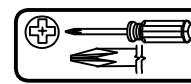
"DO NOT TIGHTEN SCREWS UNTIL COMPLETELY ASSEMBLED"



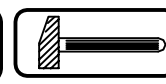
- * Use of power tool to assemble this product will invalidate any claim and damages this product making unsafe !!!
- * Please assemble on a clean soft surface to avoid damage.



Tools Required



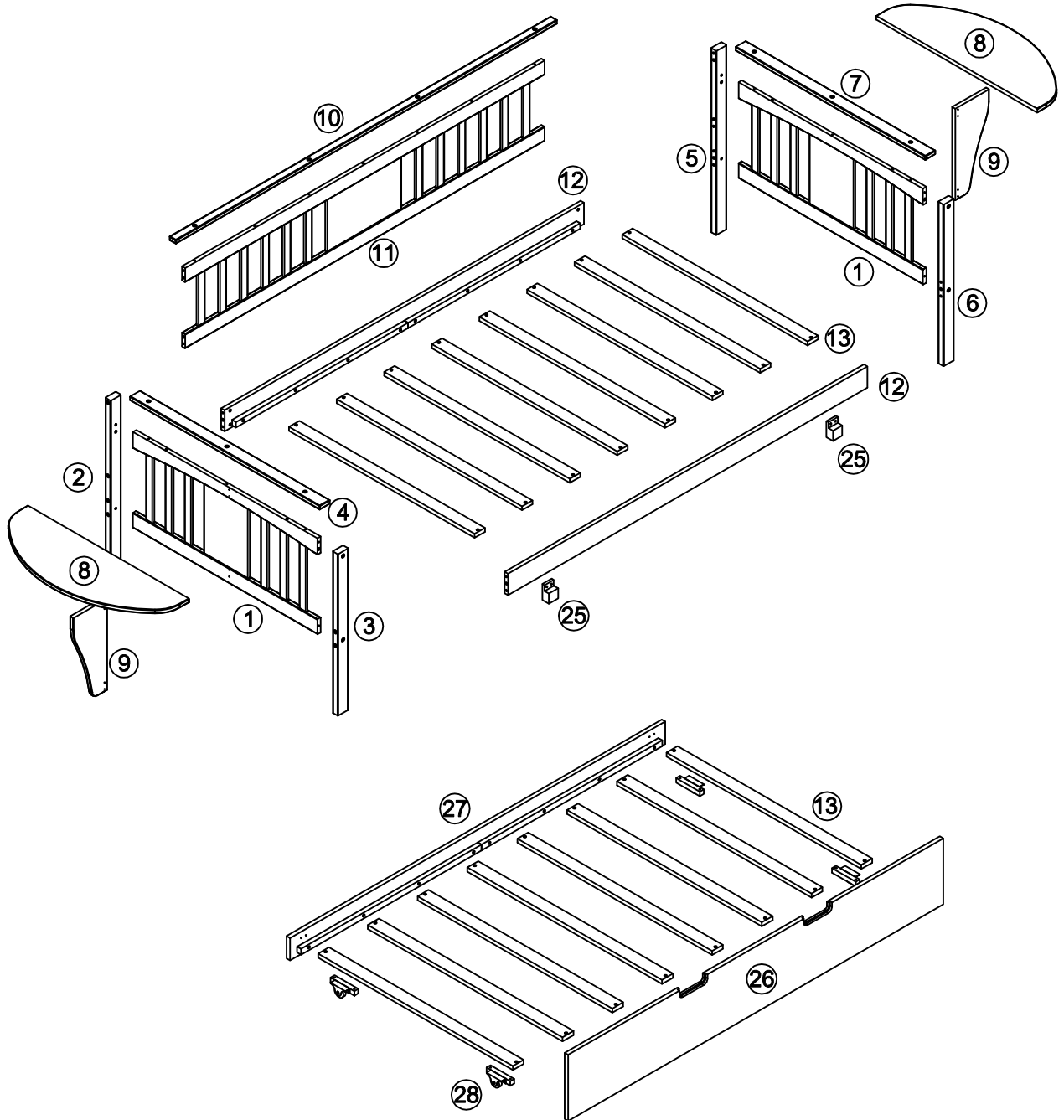
(Not included)



(Not included)

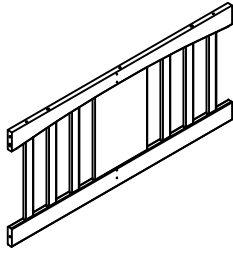
IMPORTANT:
PLEASE READ INSTRUCTIONS BEFORE STARTING THE ASSEMBLY

Detail View - TWIN BED+TRUNDLE



Part List

1 : Side Frame - 2pcs



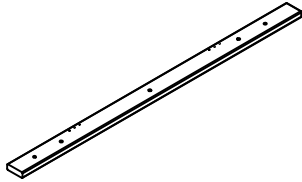
2 : Left Back Post - 1pc



3 : Left Front Post - 1pc



4 : Left Cap - 1pc



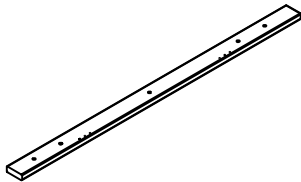
5 : Right Back Post - 1pc



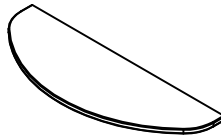
6 : Right Front Post - 1pc



7 : Right Cap - 1pc



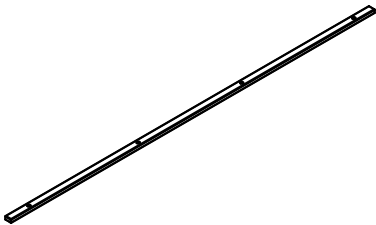
8 : Side Top Panel - 2pcs



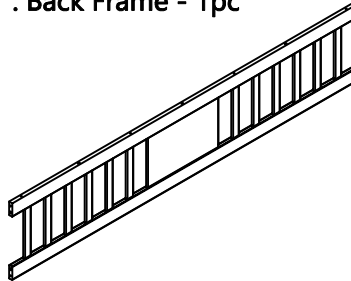
9 : Bracket - 2pcs



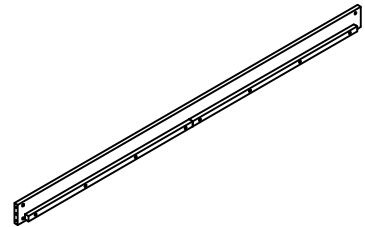
10 : Back Cap - 1pc



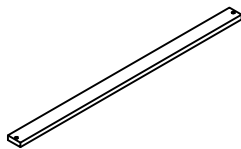
11 : Back Frame - 1pc



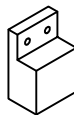
12 : Rail - 2pcs



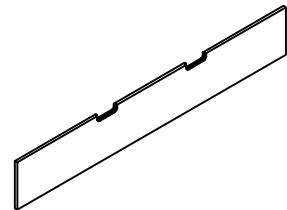
13 : Slat - 16pcs



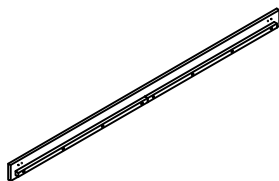
25 : Trundle Stopper -2Pcs



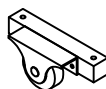
26 : Front Panel Of Trundle -1Pc



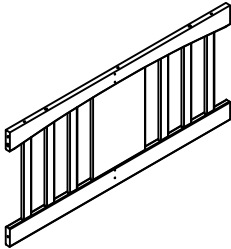
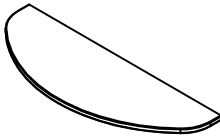

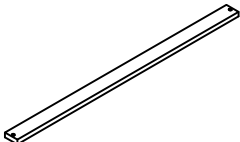
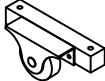
27 : Back Panel Of Trundle -1Pc





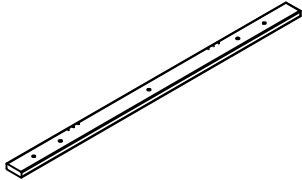


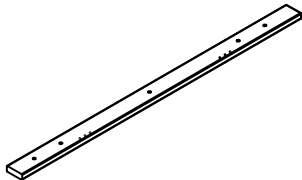
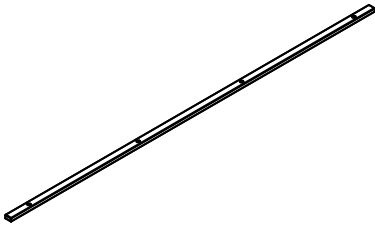
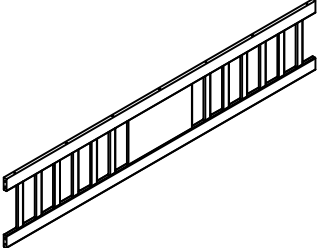
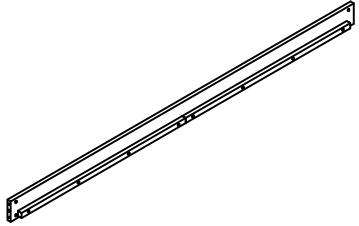
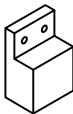
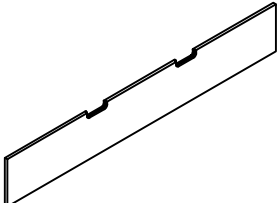
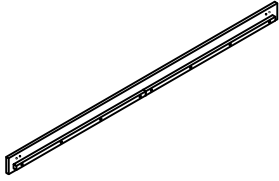
28 : Wheels -4Pcs













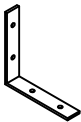
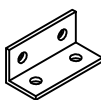



Part List - WF282119

<p>1 : Side Frame - 2pcs</p> 	<p>8 : Side Top Panel - 2pcs</p> 	<p>9 : Bracket - 2pcs</p> 
<p>13 : Slat - 16pcs</p> 	<p>28 : Wheels -4Pcs</p> 	

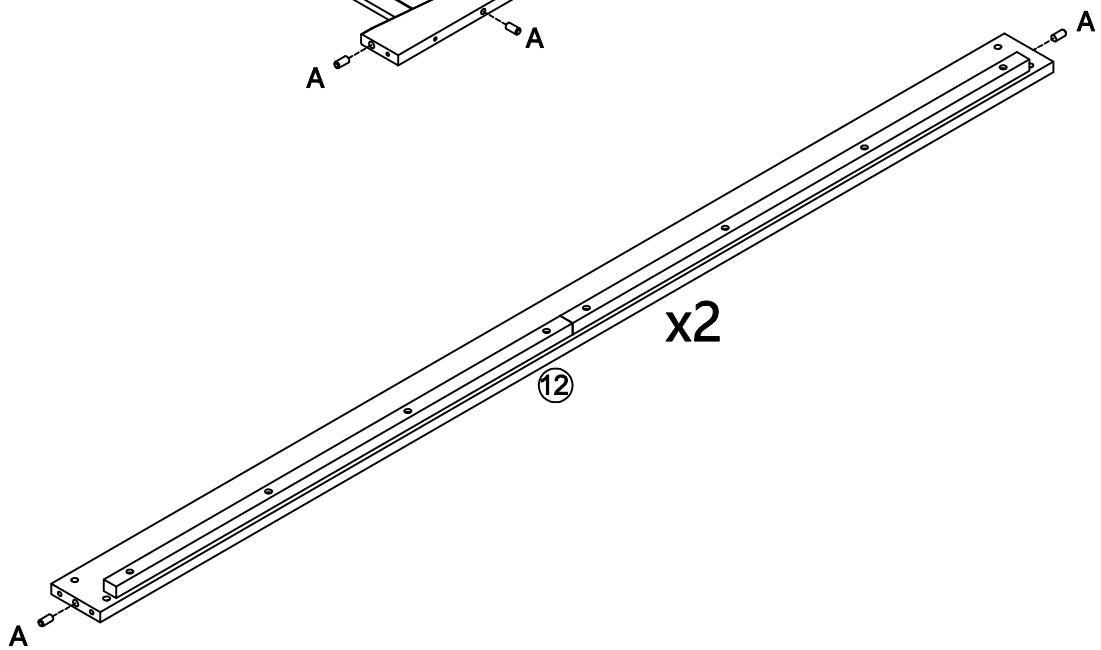
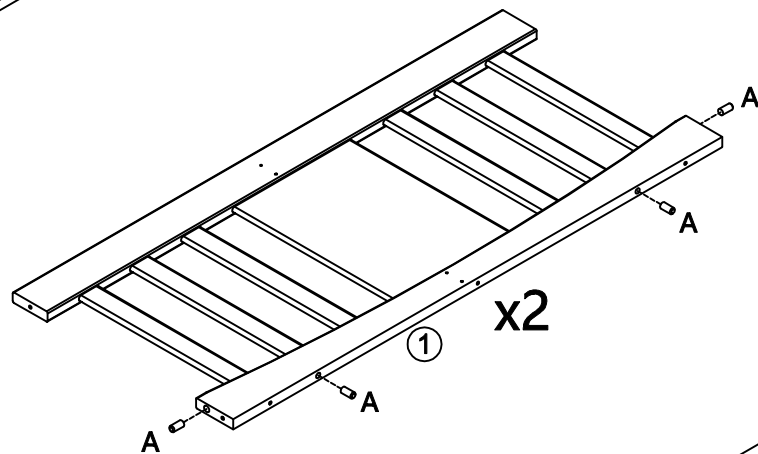
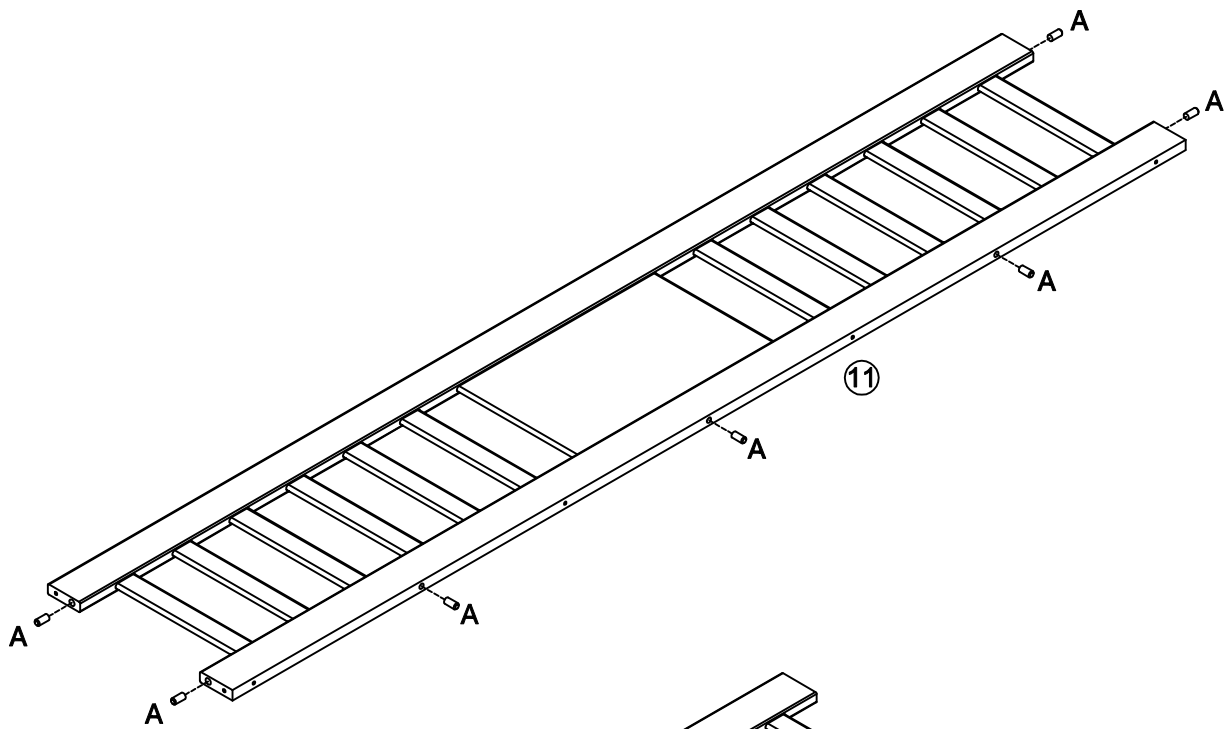
Part List - WF282120


<p>2 : Left Back Post - 1pc</p> 	<p>3 : Left Front Post - 1pc</p> 	<p>4 : Left Cap - 1pc</p> 
<p>5 : Right Back Post - 1pc</p> 	<p>6 : Right Front Post - 1pc</p> 	<p>7 : Right Cap - 1pc</p> 
<p>10 : Back Cap - 1pc</p> 	<p>11 : Back Frame - 1pc</p> 	<p>12 : Rail - 2pcs</p> 
<p>25 : Trundle Stopper -2Pcs</p> 	<p>26 : Front Panel Of Trundle -1Pc</p> 	<p>27 : Back Panel Of Trundle -1Pc</p> 

Hardware List - WF282119

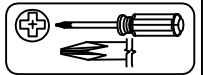
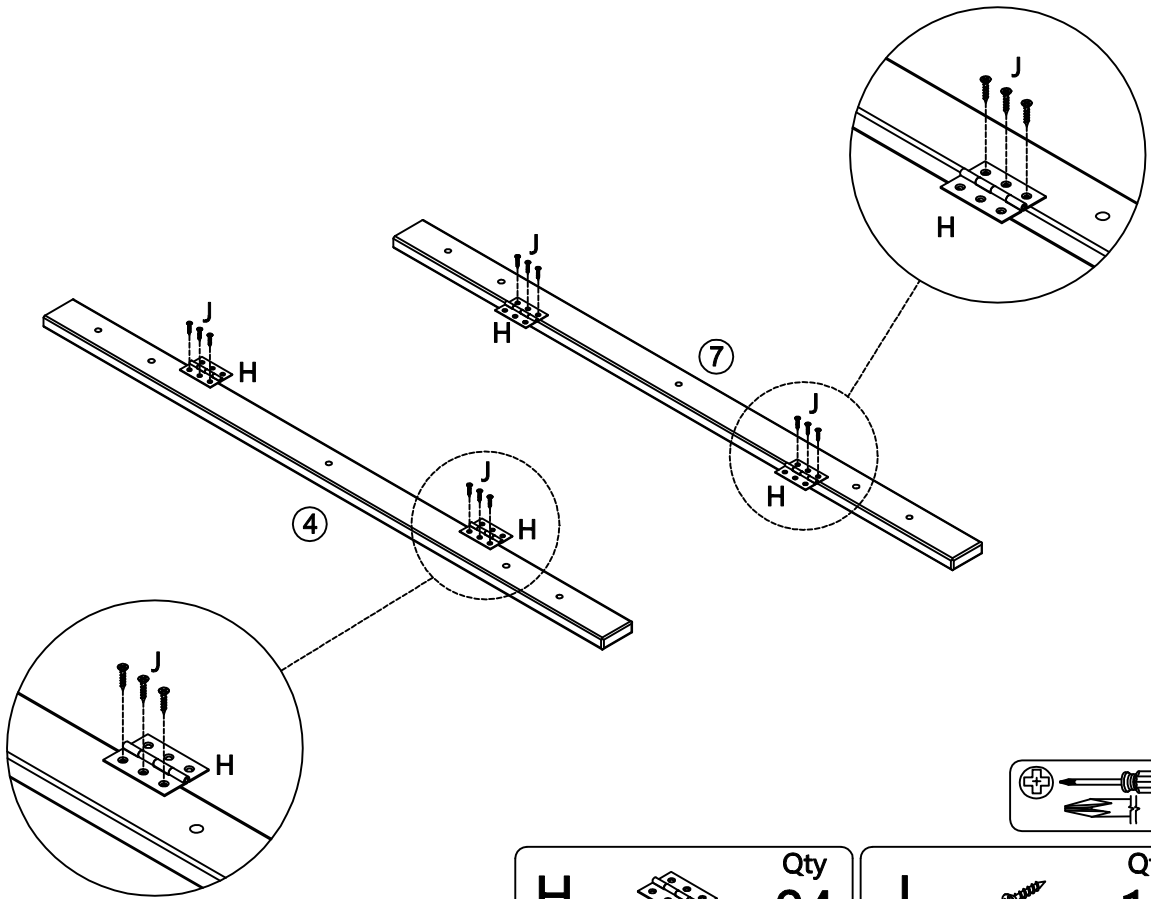
<p>A : Wood Dowel - 19pcs</p>  <p>∅ 10x40mm</p>	<p>B : Hex - Head Screw - 10pcs</p>  <p>∅ 6.2x32mm</p>	<p>C : Hex - Head Screw - 8pcs</p>  <p>∅ 6.2x50mm</p>
<p>D : Hex - Head Screw - 4pcs</p>  <p>∅ 6.2x70mm</p>	<p>E : Hex - Head Bolts - 8pcs</p>  <p>∅ 1/4"x70mm</p>	<p>F : Horizontal-Hole Bolts - 8pcs</p>  <p>∅ 1/4"x∅10x12.5mm</p>
<p>G : Round Head Screw - 40pcs</p>  <p>∅ 4x30mm</p>	<p>H : Hinge - 4pcs</p>  <p>55x40mm</p>	<p>I : Hinge - 4pcs</p>  <p>44x36mm</p>
<p>J : Flat Head Screw - 40pcs</p>  <p>∅ 3.5x14mm</p>	<p>K : L-Bracket - 2pcs</p> 	<p>L : Bracket - 2pcs</p> 
<p>M : Flat Head Screw - 16pcs</p>  <p>∅ 3.5x14mm</p>	<p>N : Round Head Screw - 4pcs</p>  <p>∅ 4x25mm</p>	<p>Z : Allen Wrench - 1pc</p>  <p>4mm</p>


Step: 1



A		Qty 19
---	---	-----------

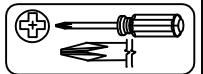
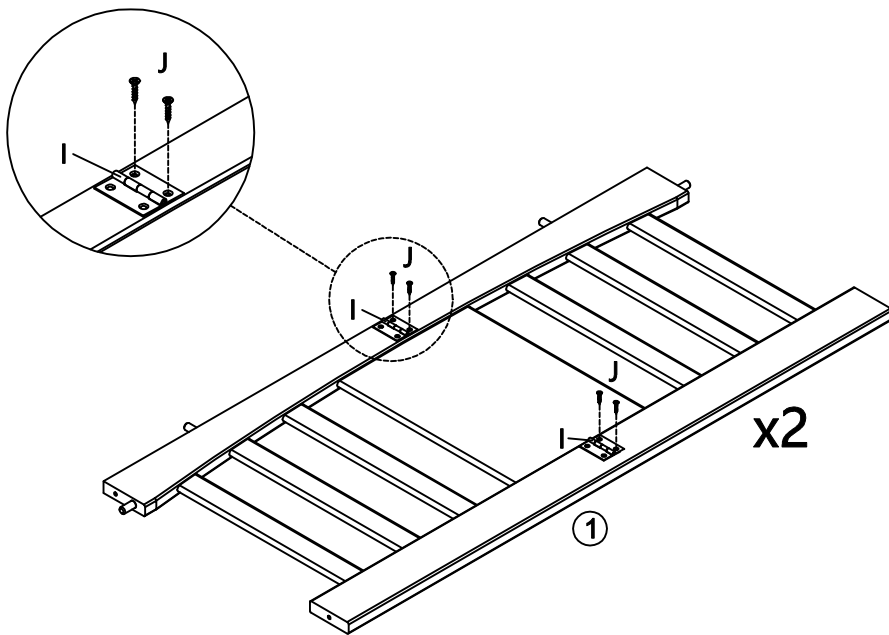
Step: 2





H		Qty 04
---	--	------------------

J		Qty 12
---	---	------------------

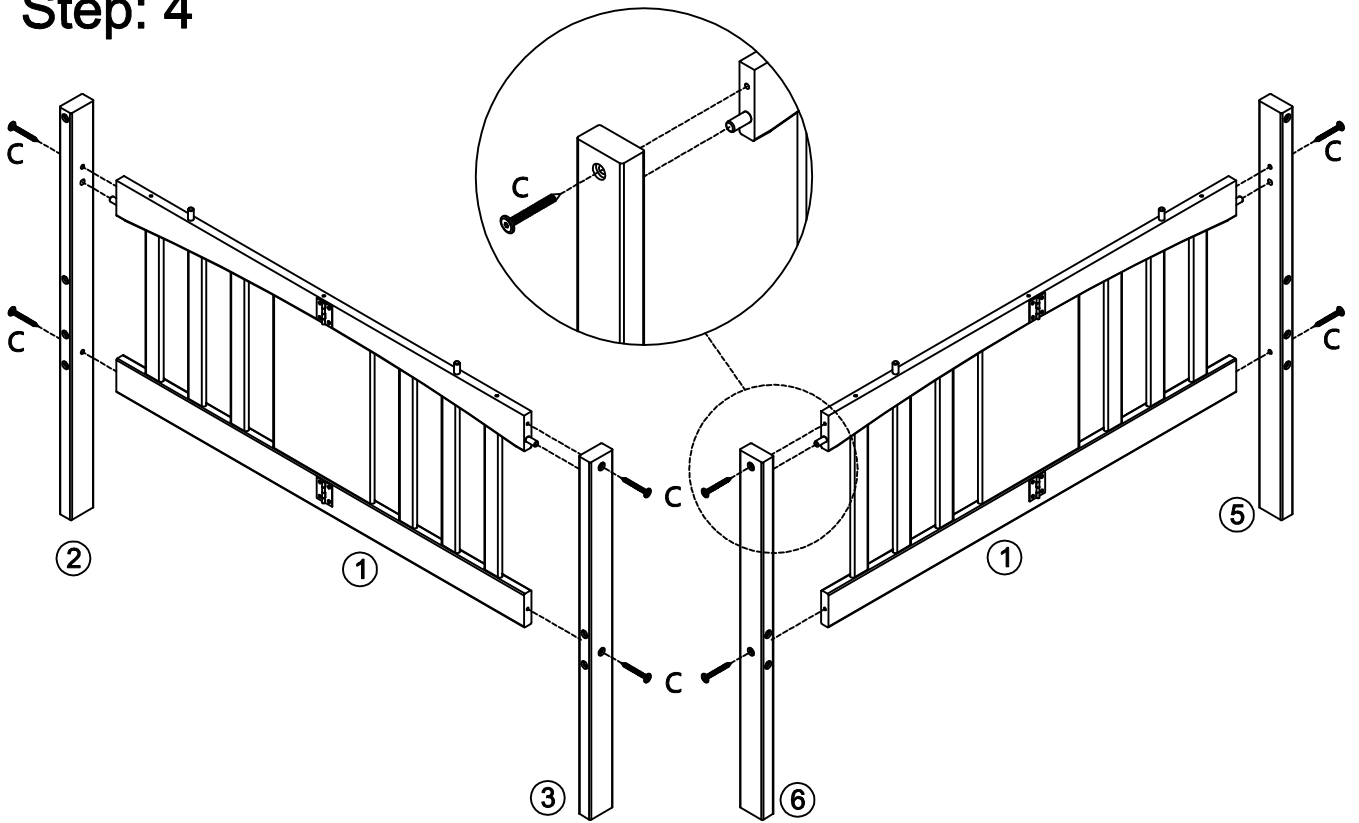
Step: 3



I		Qty 04
---	--	------------------

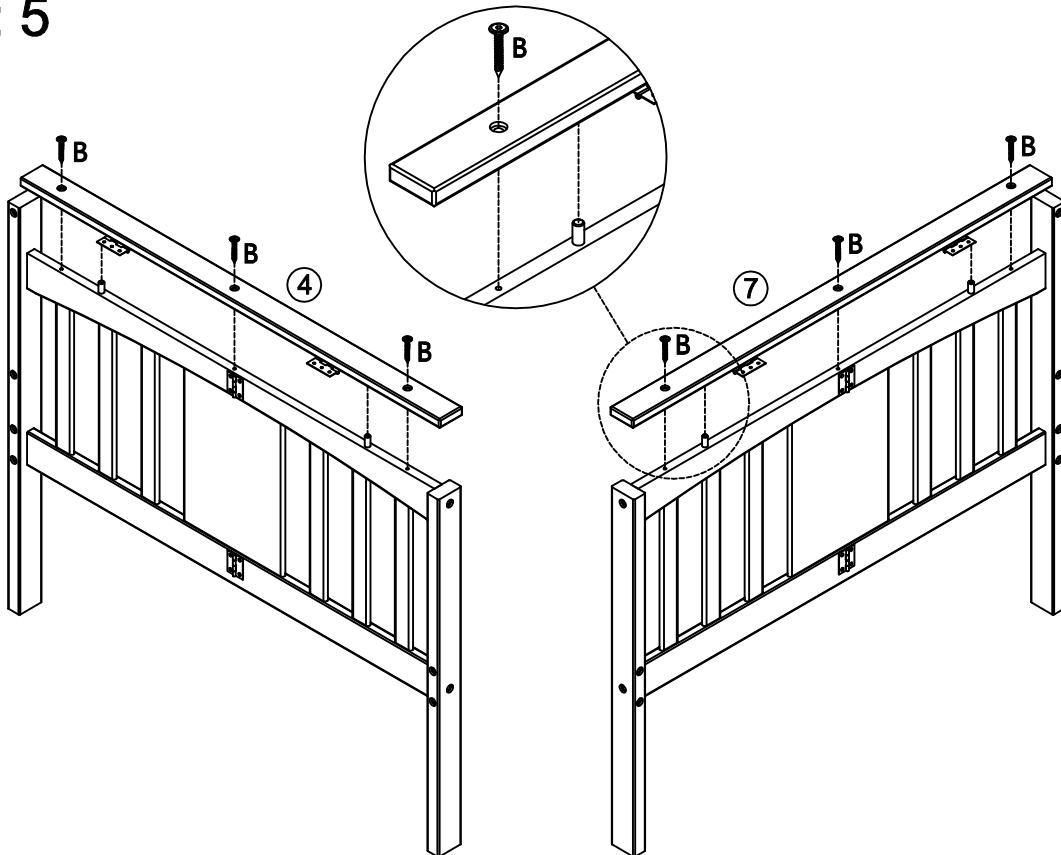
J		Qty 08
---	---	------------------

Step: 4



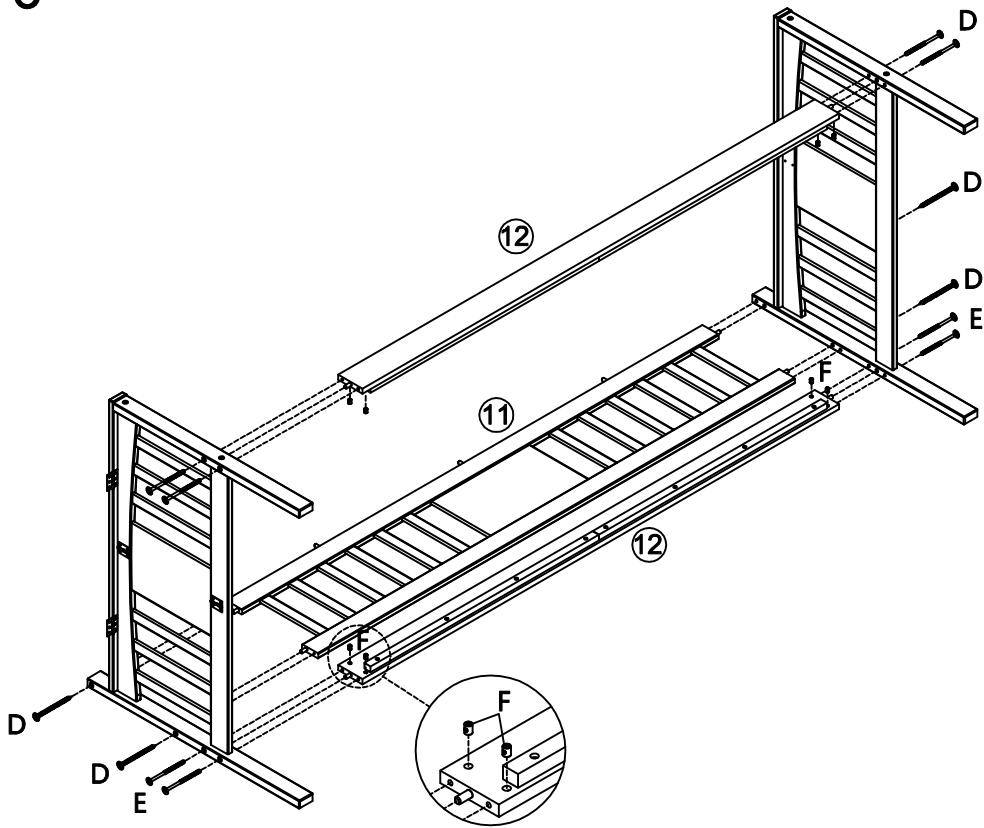
C		Qty 08	Z		Qty 01
----------	--	------------------	----------	---	------------------

Step: 5



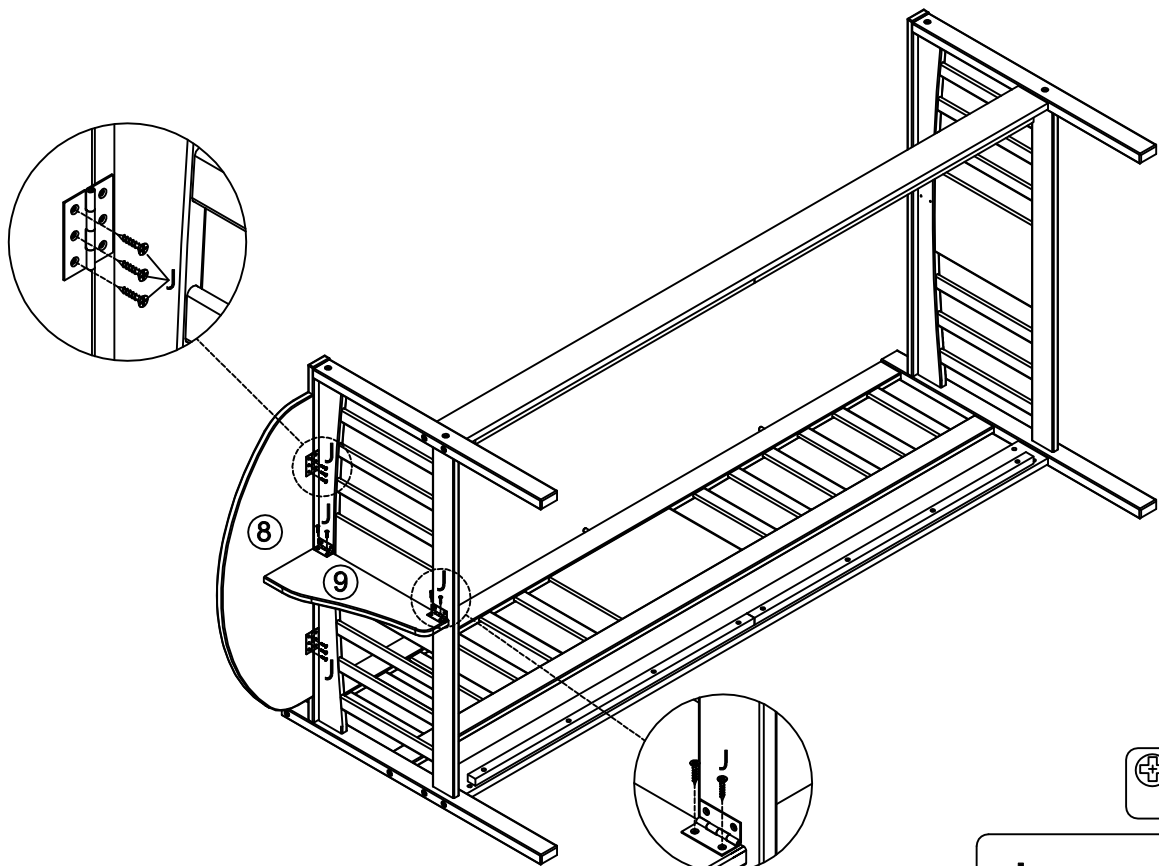
B		Qty 06	Z		Qty 01
----------	--	------------------	----------	---	------------------


Step: 6



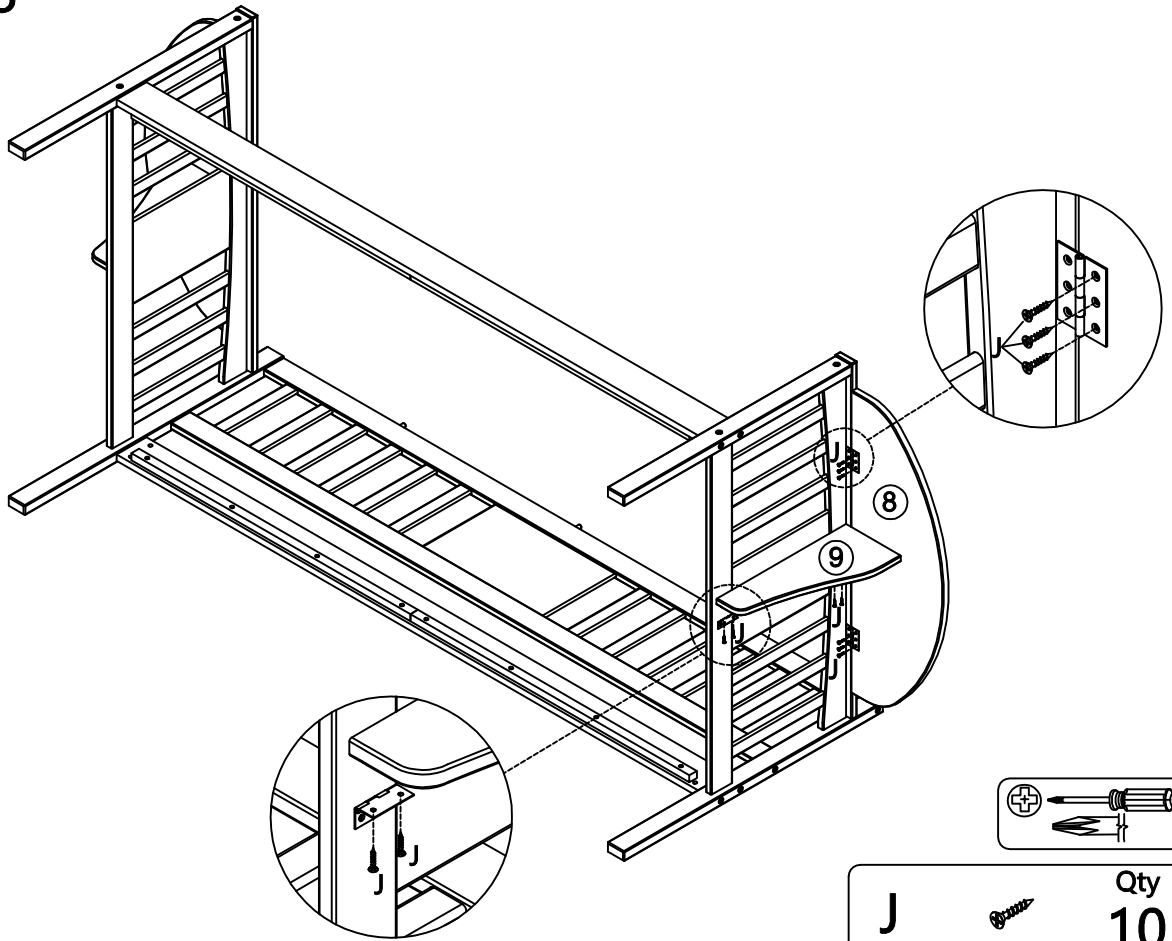
D 	Qty 04	E 	Qty 08	F 	Qty 08	Z 	Qty 01
--	---------------	--	---------------	--	---------------	--	---------------

Step: 7

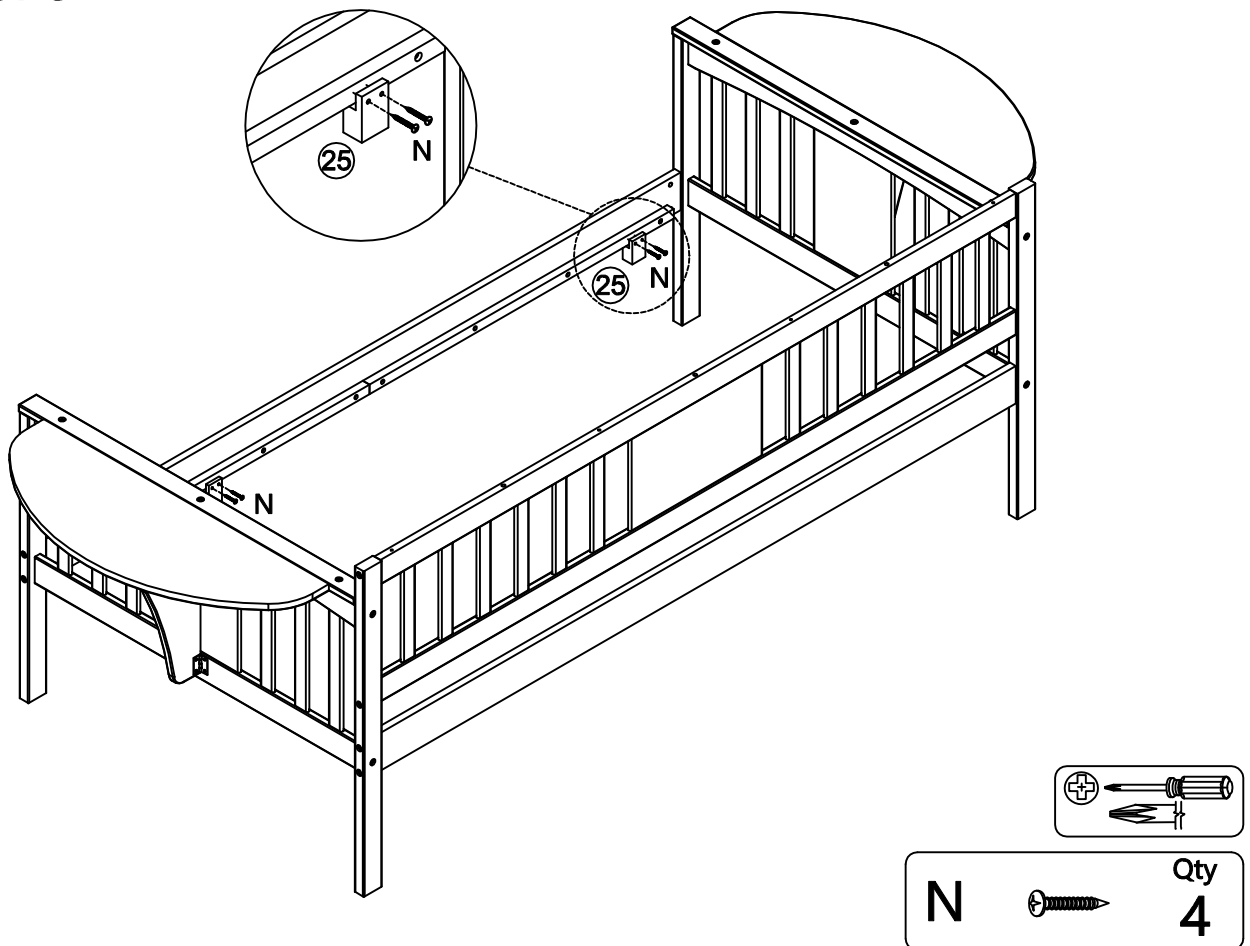


J 	Qty 10
--	---------------

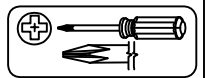
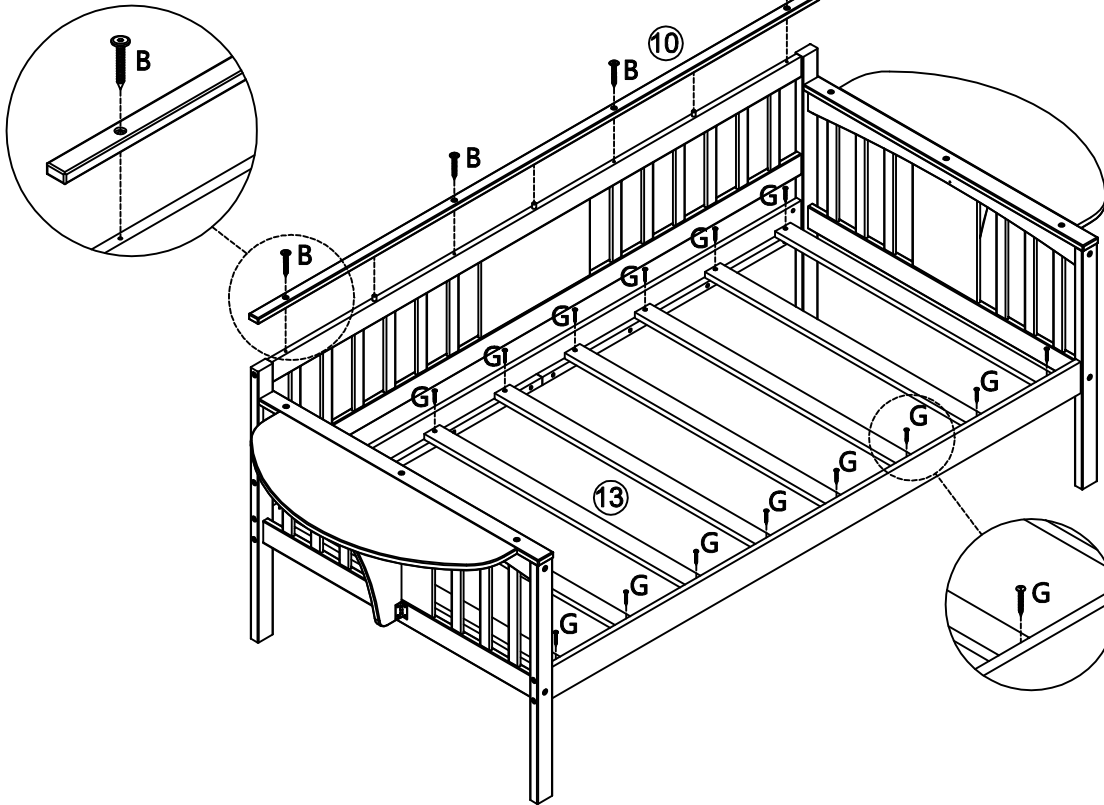
Step: 8





Step: 9

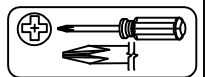
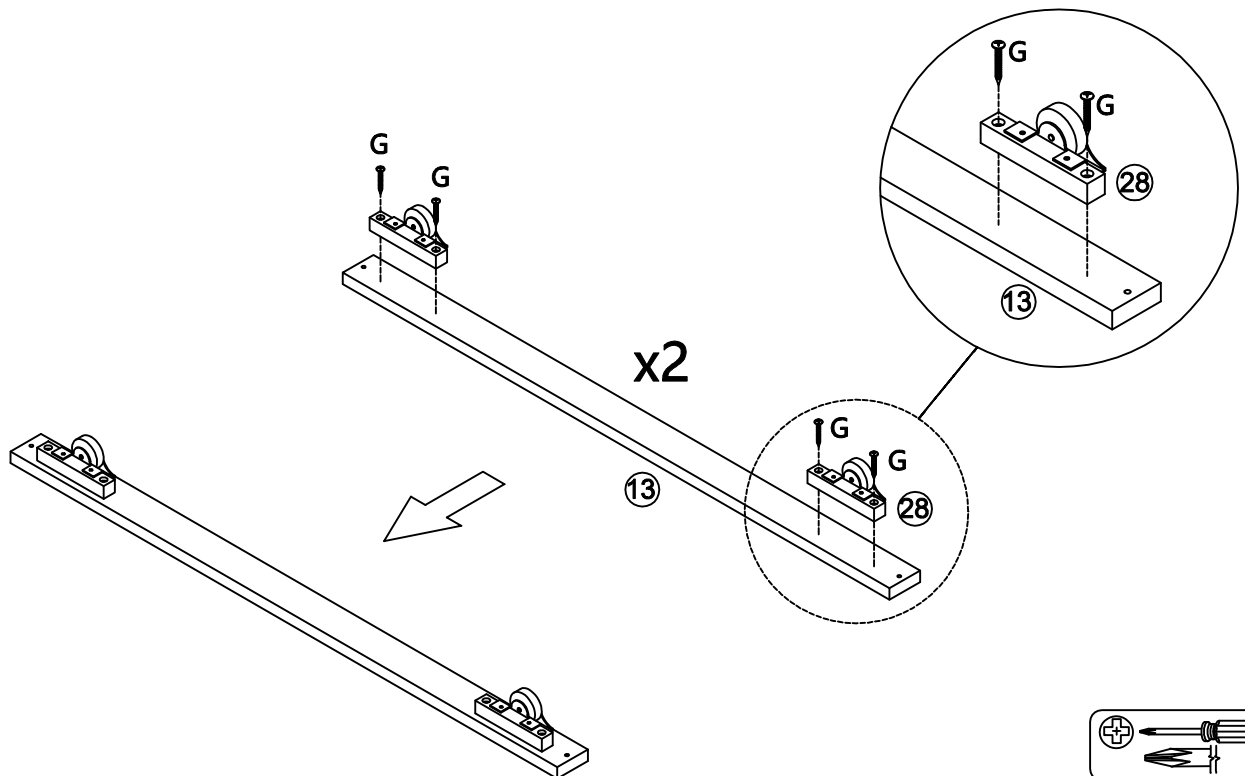



Step: 10



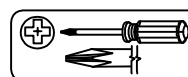
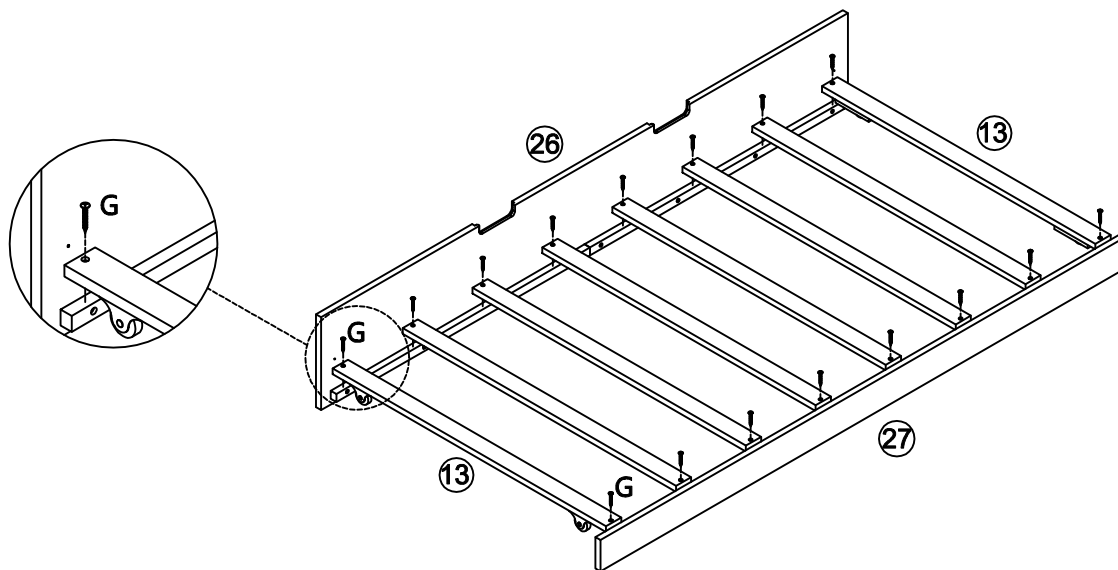
B		Qty 04	G		Qty 16	Z		Qty 01
----------	---	------------------	----------	--	------------------	----------	---	------------------


Step: 11



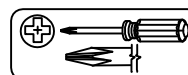
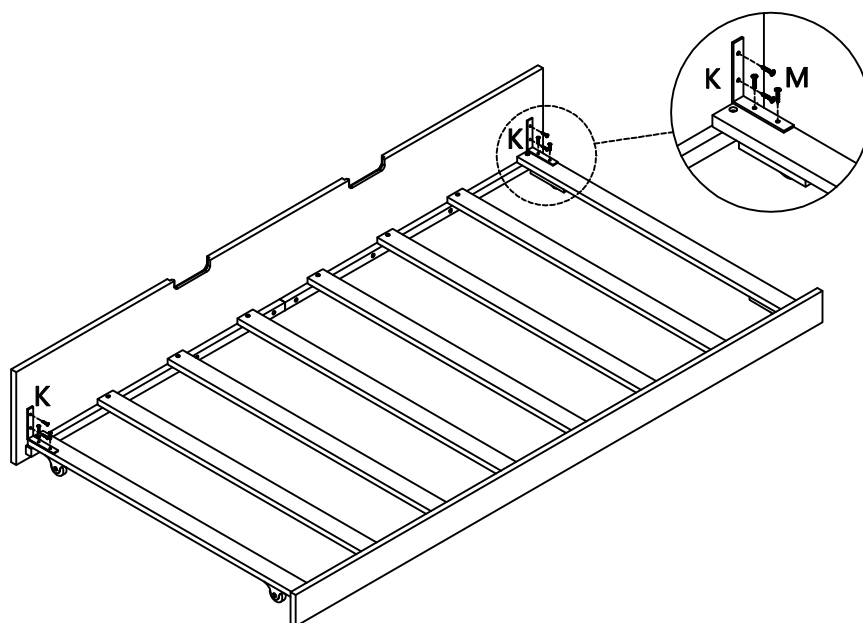
G		Qty 08
----------	---	------------------

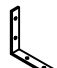
Step: 12



G		Qty 16
----------	---	------------------

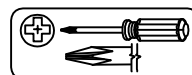
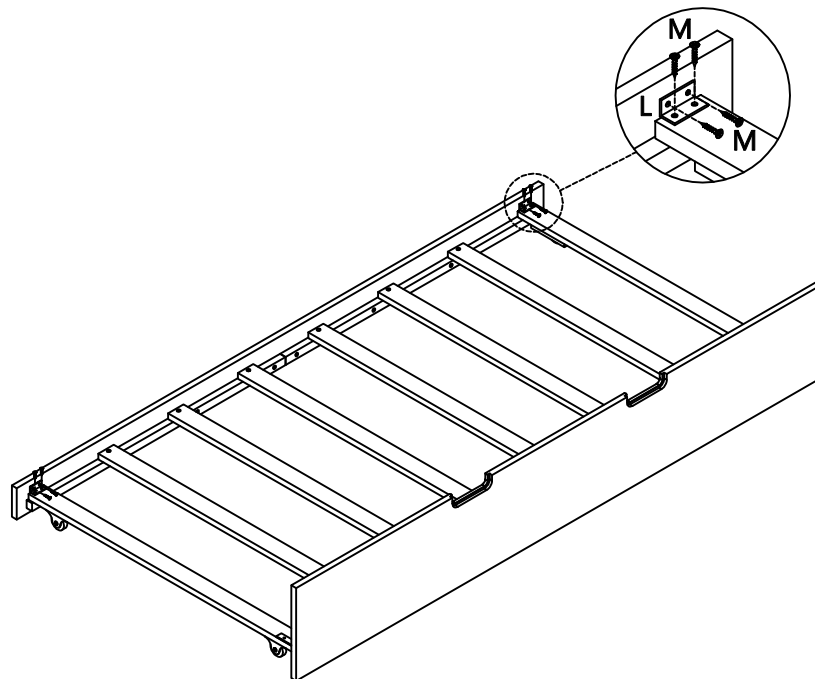
Step: 13



K		Qty 02
----------	---	------------------

M		Qty 08
----------	---	------------------

Step: 14



L



Qty
02

M



Qty
08

Step: 15

