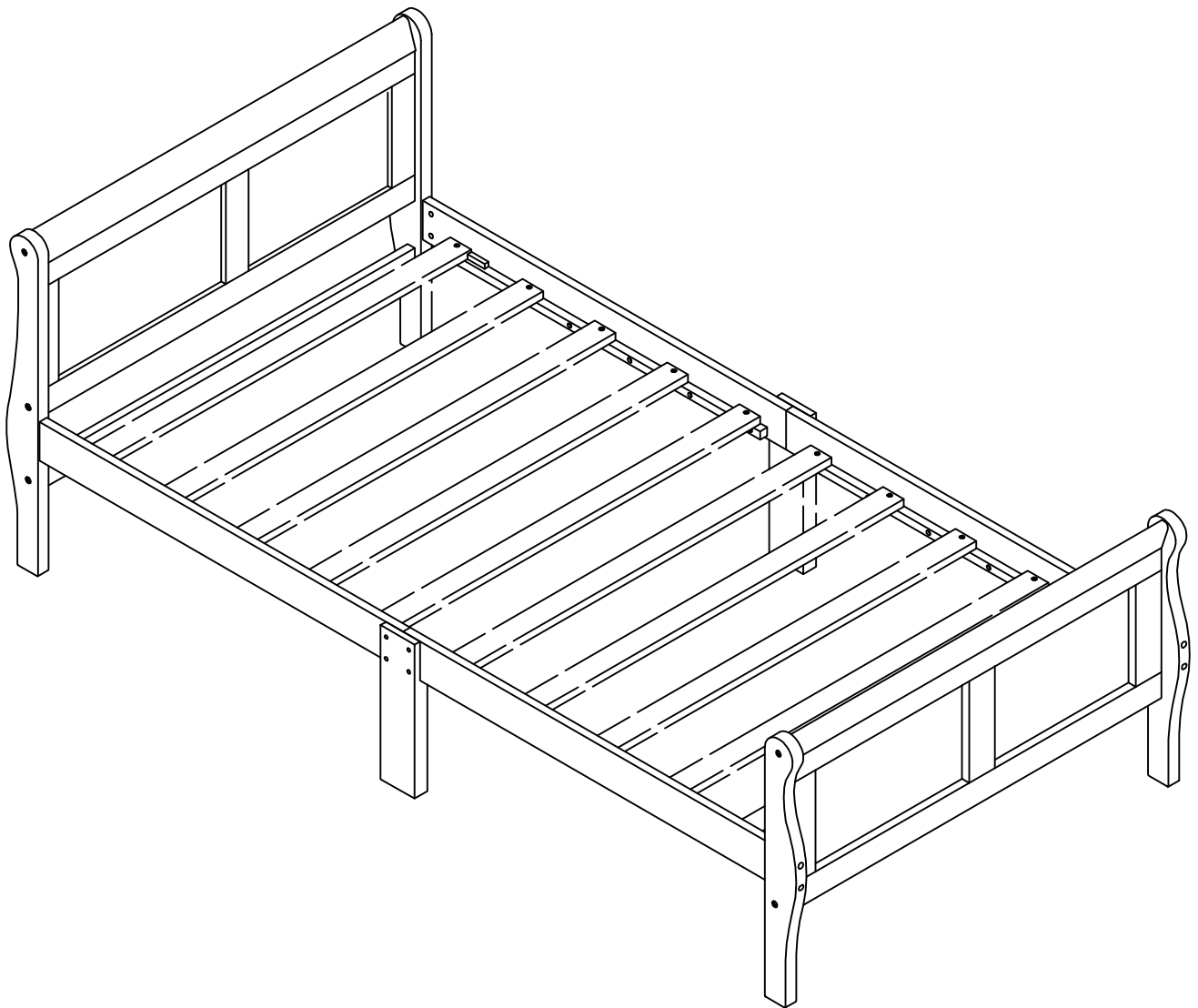


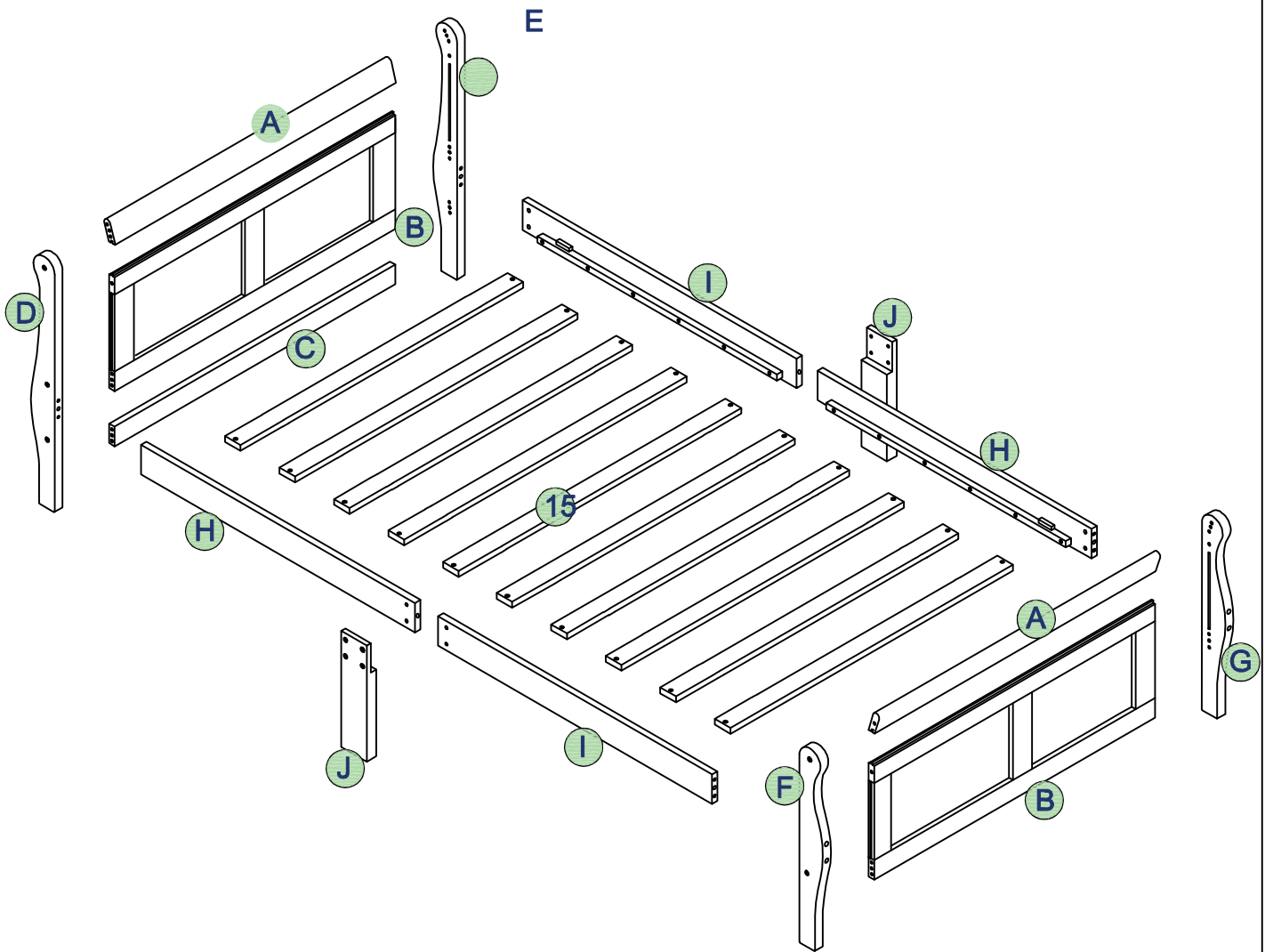
# ASSEMBLY INSTRUCTIONS

## TWIN BED

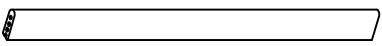
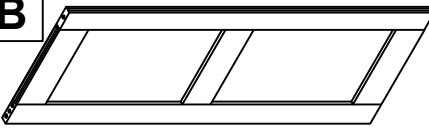
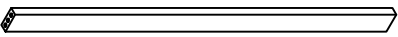

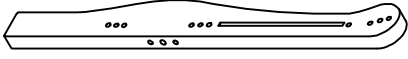
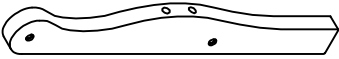
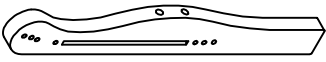


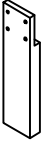
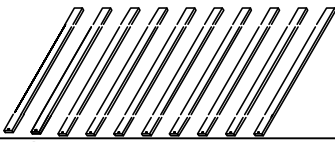


**WF192439AAK**  
**WF192439AAL**  
**WF192439AAP**

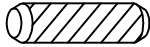
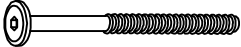





# Detail View



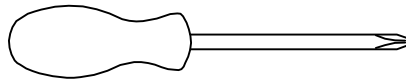
# Part List

<b>A</b> 	<b>B</b> 	<b>C</b> 
Cap for HB & FB - 2pcs	HB & FB - 2pcs	Horizontal bar - 1pc
<b>D</b> 	<b>E</b> 	<b>F</b> 
Leg headboard(Left) - 1pc	Leg headboard(Right) - 1pc	Leg footboard(Right) - 1pc
<b>G</b> 	<b>H</b> 	<b>I</b> 
Leg footboard(Left) - 1pc	Side rail left & right - 2pcs	Side rail left & right - 2pcs
<b>J</b> 	<b>15</b> 	
Side rail support - 2pcs	Slat - 1set (10pcs)	

# Hardware List

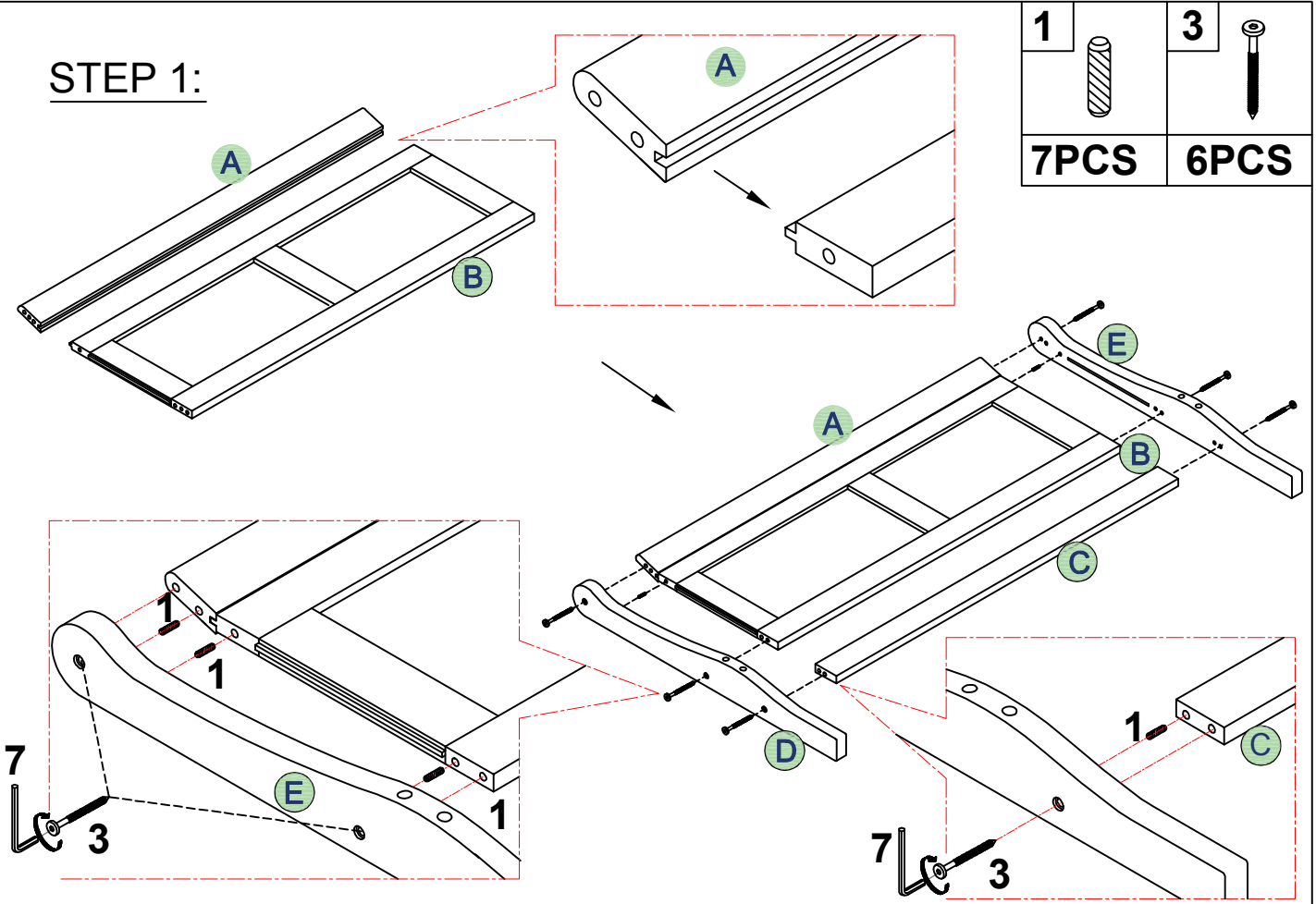
<b>1</b>  Ø10*30mm Wood dowel (20pcs)	<b>2</b>  (Ø15)1/4"*100mm Hex-Head bolts (8pcs)	<b>3</b>  (Ø15)1/4"*80mm Hex-Head bolts (10pcs)
<b>4</b>  (Ø12)1/4"*25mm Hex-Head bolts (8pcs)	<b>5</b>  #4*30mm Wood screws (20pcs)	<b>6</b>  Ø1/4"*15 (9.5mm) Horizontal-Hole bolts(8pcs)
<b>7</b>  (1/4")4.5*58mm Allen key (1pc)		

## ASSEMBLY TOOLS REQUIRED ( NOT INCLUDED )

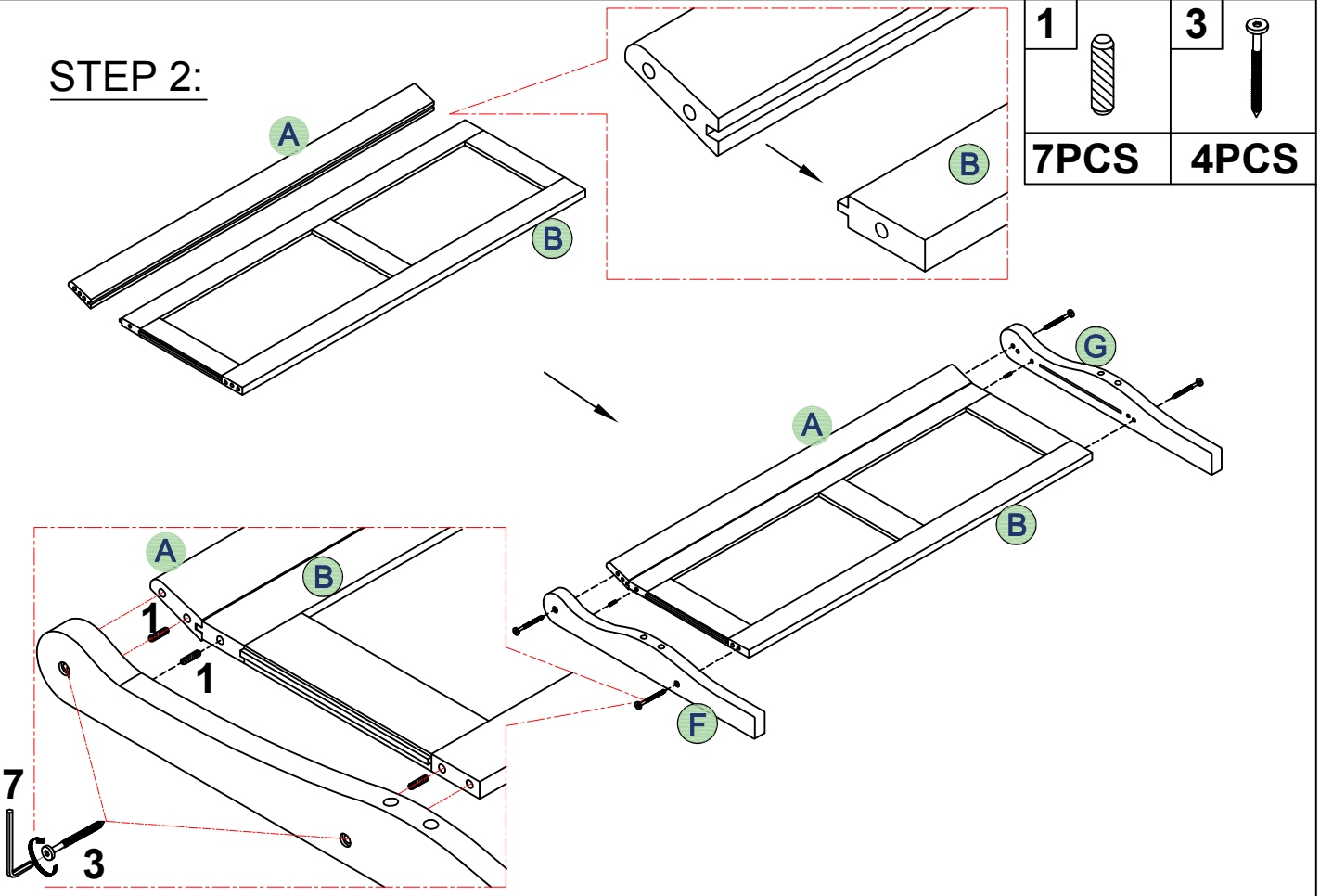


PLEASE BE CAREFUL DO NOT DAMAGE THE HOLE POSITION WHEN YOU USE POWER TOOLS !

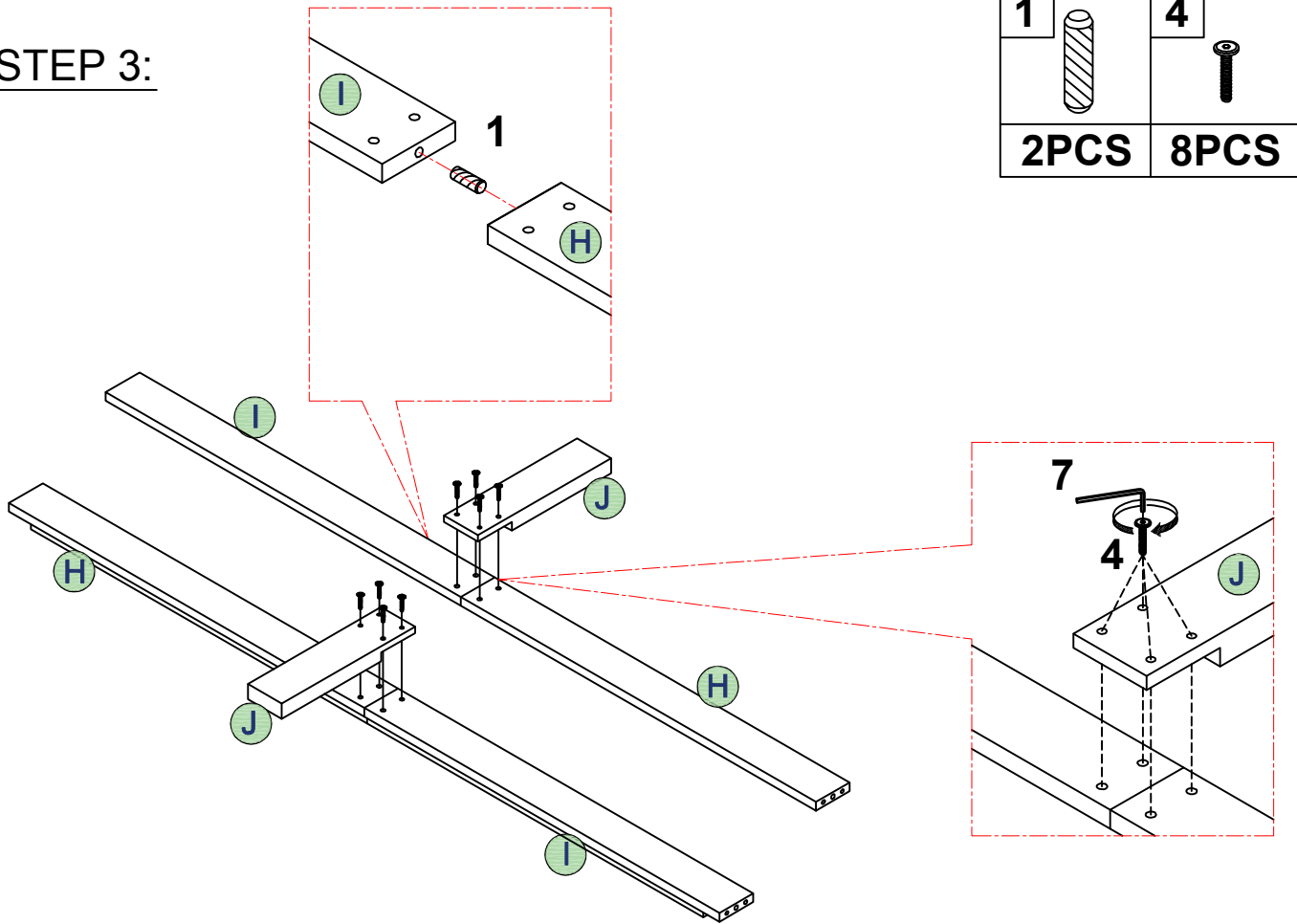
**STEP 1:**



**STEP 2:**

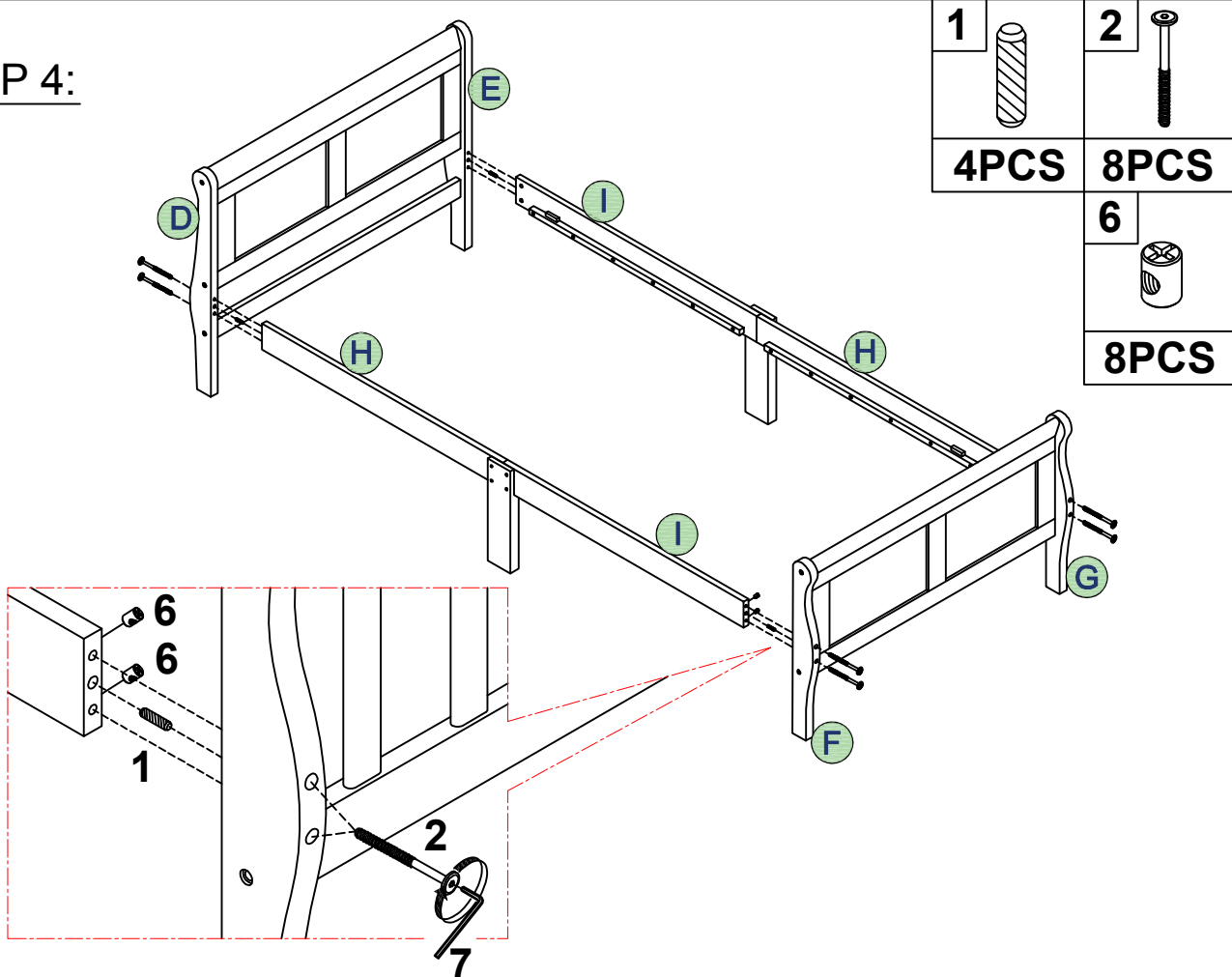


**STEP 3:**



1		4	
<b>2PCS</b>		<b>8PCS</b>	

**STEP 4:**



1		2	
<b>4PCS</b>		<b>8PCS</b>	
		6	
		<b>8PCS</b>	

STEP 5:

5



20PCS

