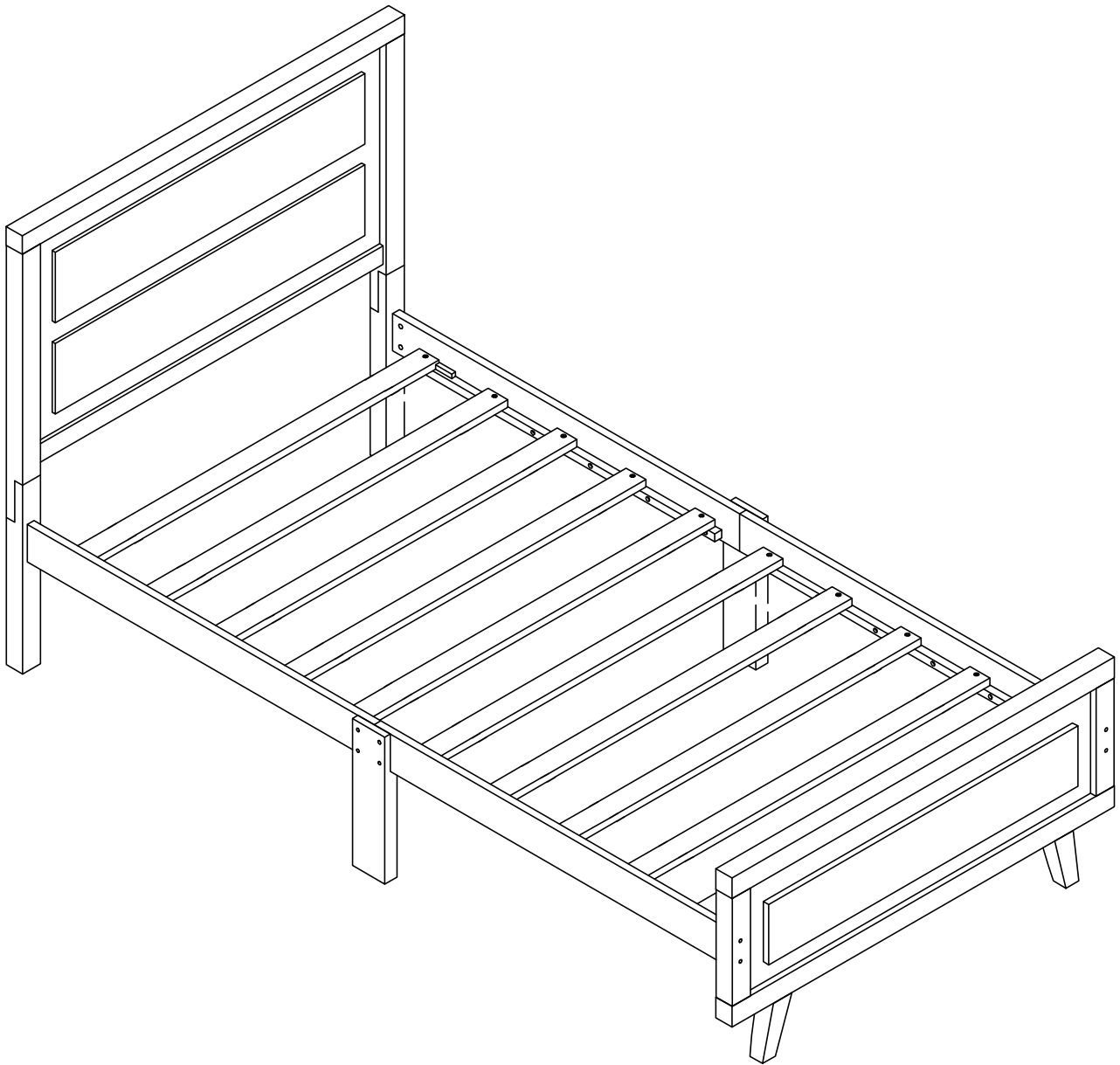


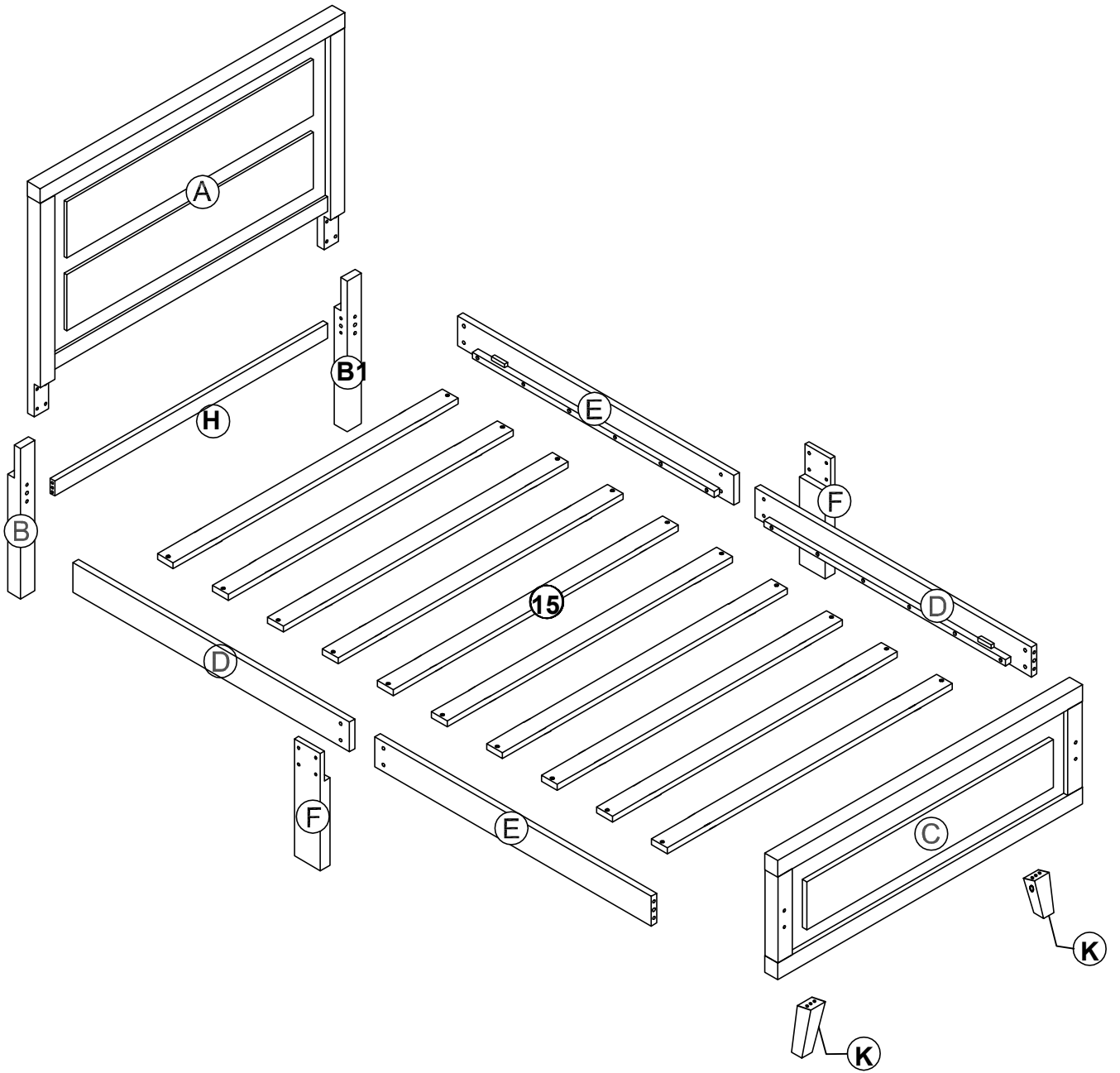
ASSEMBLY INSTRUCTIONS

TWIN BED

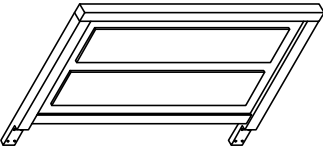

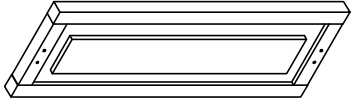
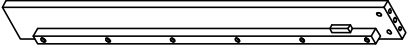
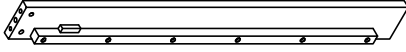

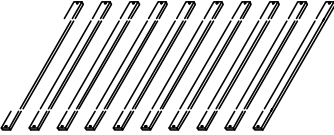

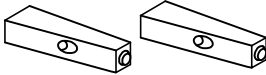
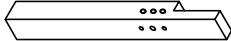


WF192440AAK
WF192440AAH

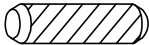
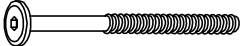




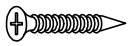



Detail View



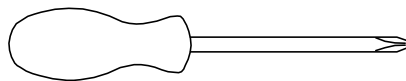
Part List

A 	B 	C 
Headboard - 1pc	Leg HB- 1pc	Footboard - 1pc
D 	E 	F 
Side rail left & right - 2pcs	Side rail left & right - 2pcs	Side rail support - 2pcs
15 	H 	K 
Slat - 1set (10pcs)	Horizontal bar - 1pc	Leg - 2pcs
B1 		
Leg HB - 1pc		

Hardware List



1  Ø10*30mm Wood dowel (14pcs)	2  (Ø15)1/4"*80mm Hex-Head bolts (8pcs)	3  (Ø12)1/4"*25mm Hex-Head bolts (8pcs)
4  (Ø15)1/4"*100mm Hex-Head bolts (2pcs)	5  Ø1/4"*15 (9.5mm) Horizontal-Hole bolts(8pcs)	6  Ø1/4"*19*2mm Flat washer(8pcs)
7  #4*30mm Wood screws (20pcs)	8  (1/4")4.5*58mm Allen key (1pc)	9  (Ø15)5/16"*60mm Hex-Head bolts (2pcs)
		10  (Ø13)1/4"*30mm Hex-Head bolts (8pcs)

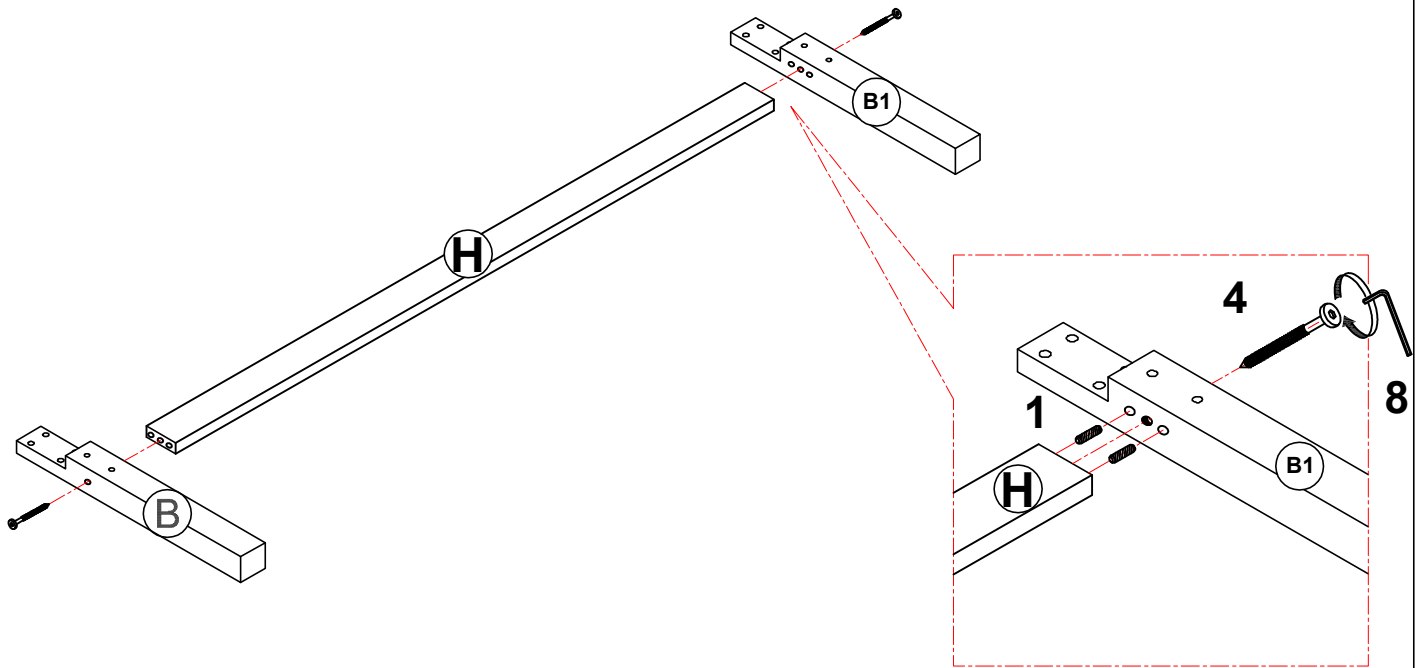
ASSEMBLY TOOLS REQUIRED (NOT INCLUDED)




PLEASE BE CAREFUL DO NOT DAMAGE THE HOLE POSITION WHEN YOU USE POWER TOOLS !

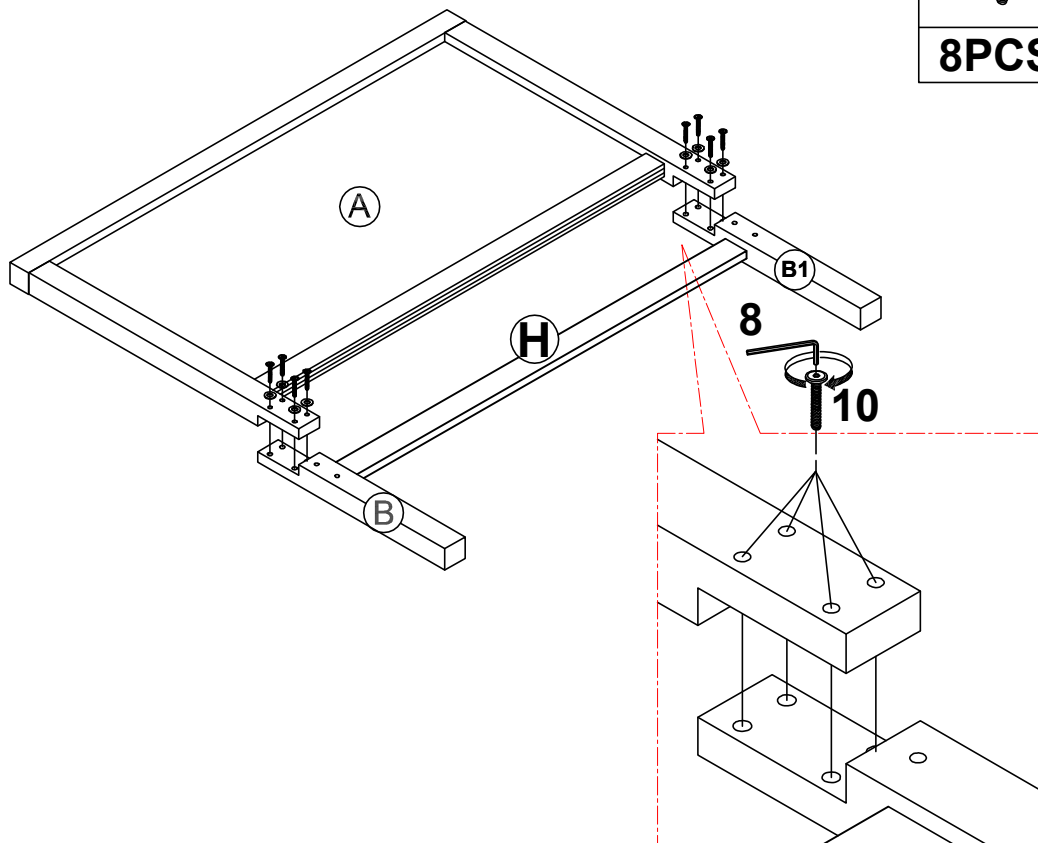
STEP 1:

4		1	
2PCS		4PCS	

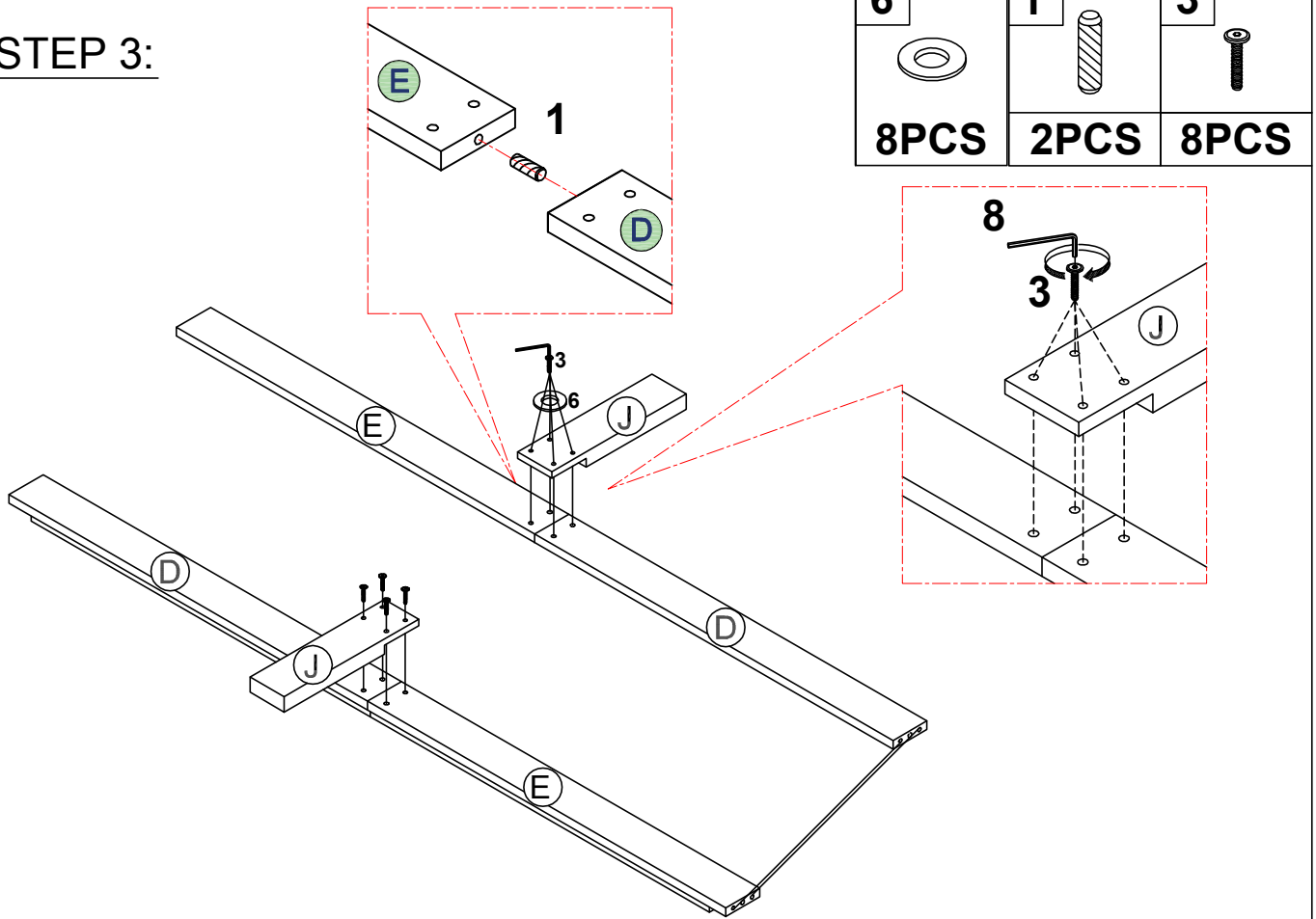


STEP 2:

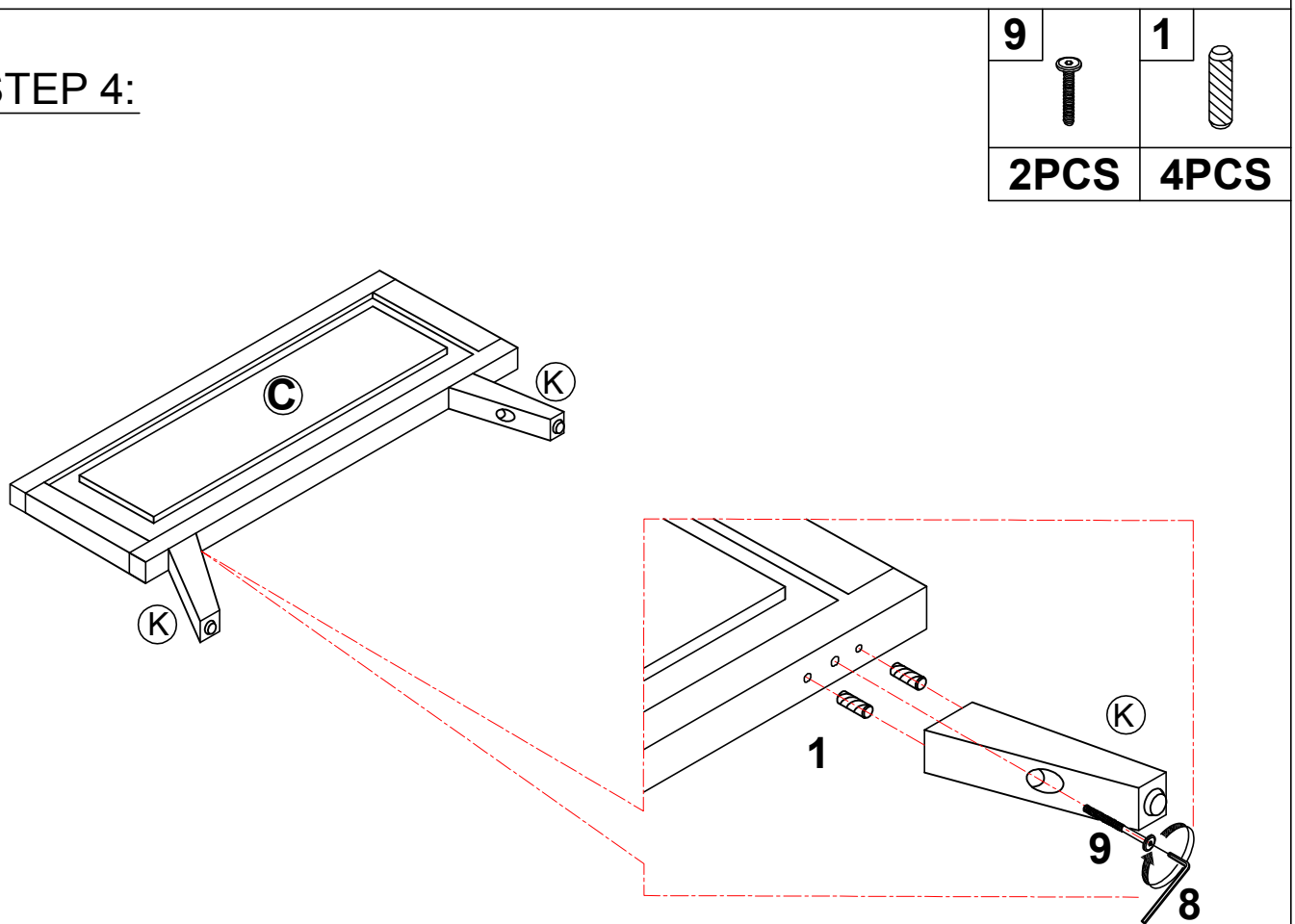
10			
8PCS			



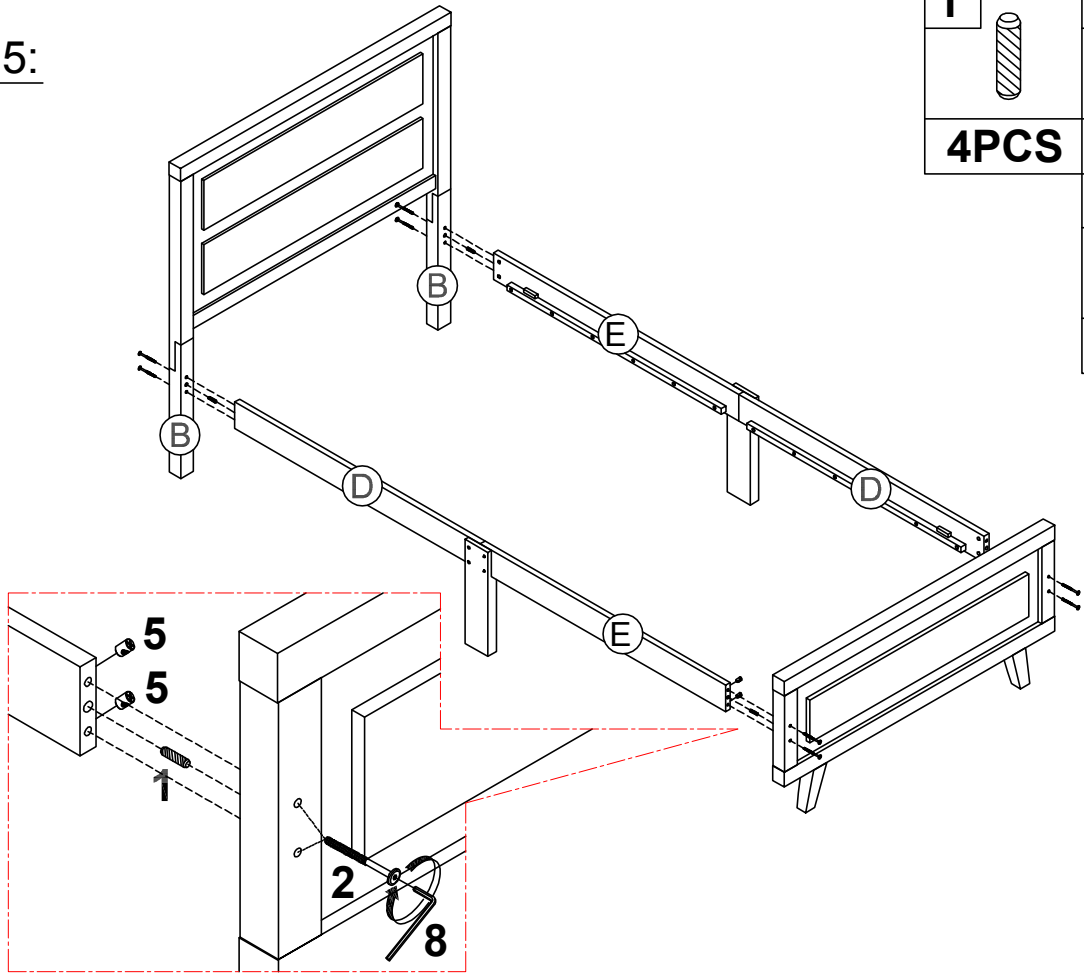
STEP 3:






STEP 4:

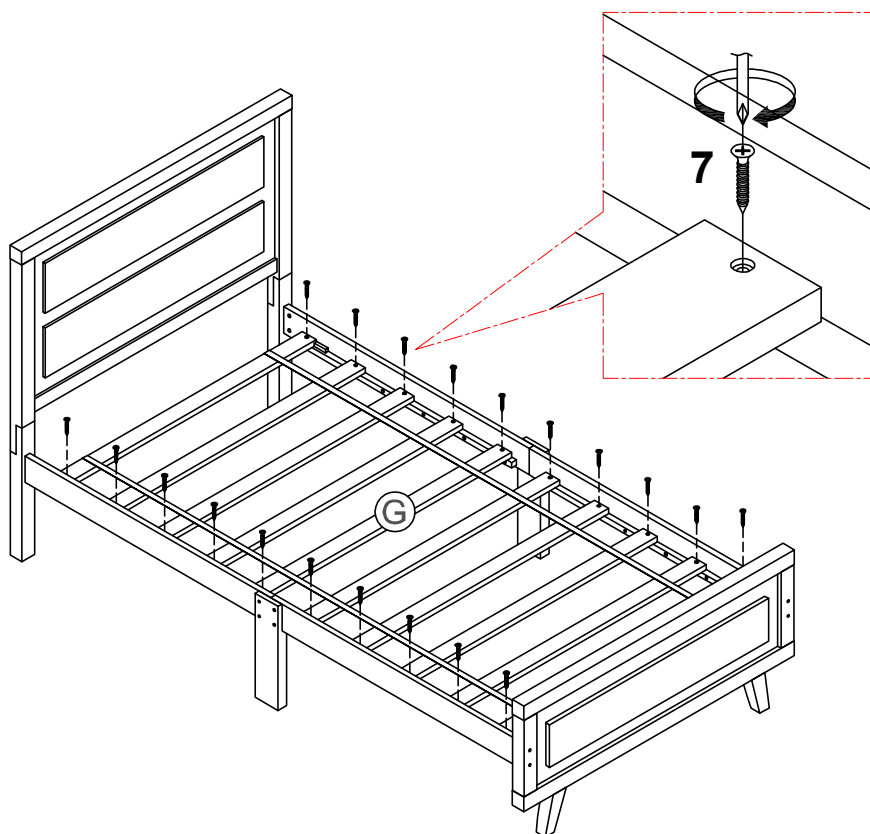



STEP 5:



1		2	
4PCS		8PCS	
		5	
		8PCS	

STEP 6:



7	
20PCS	