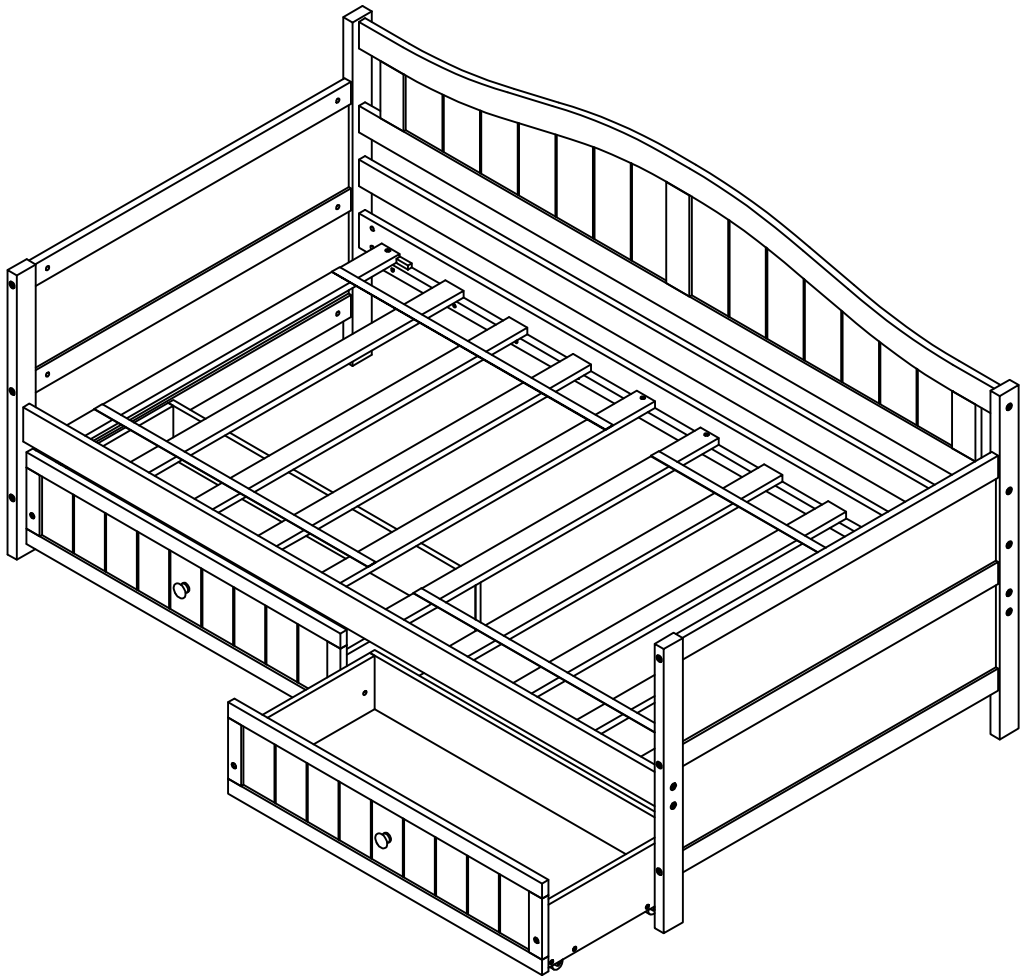


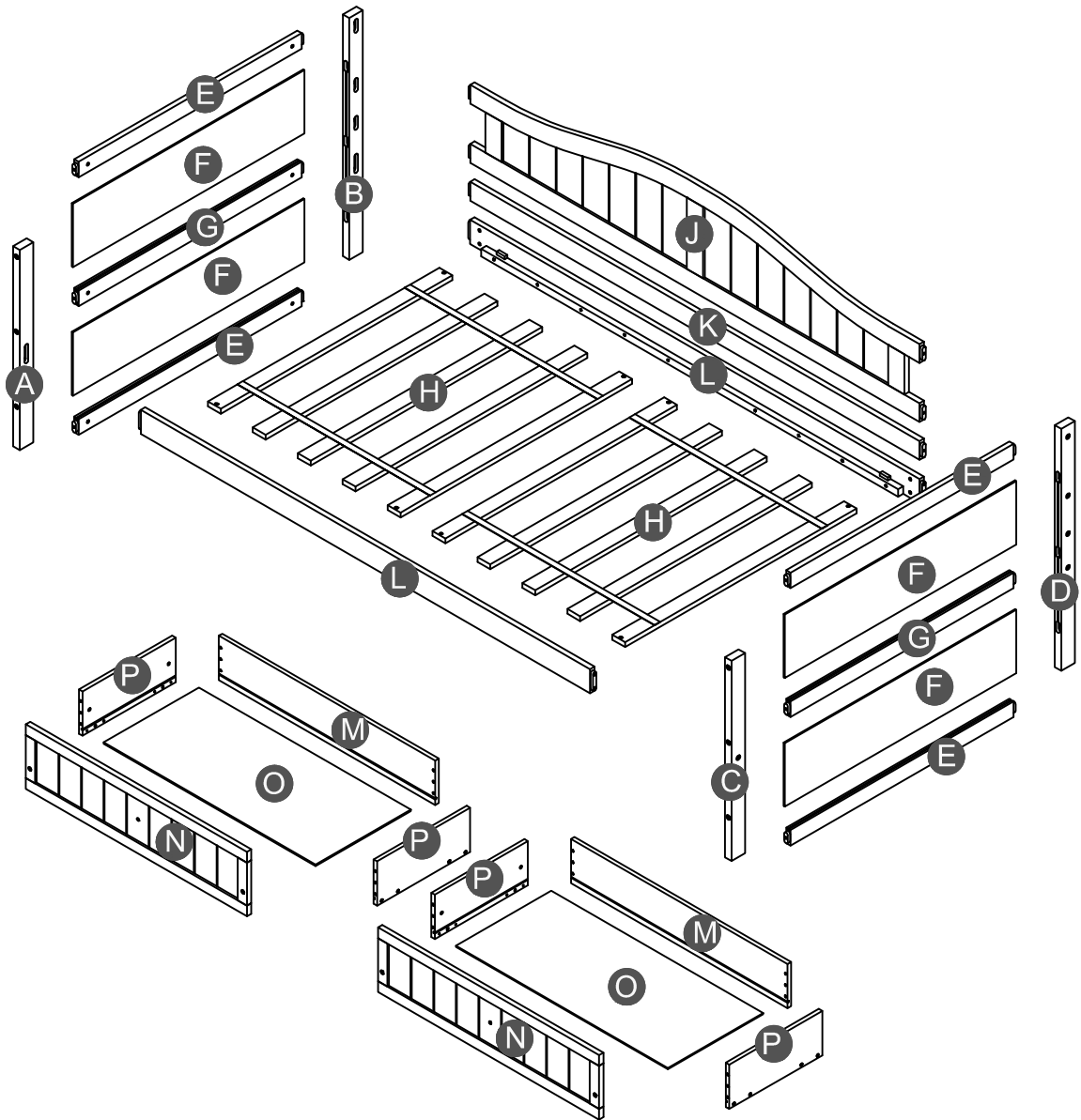
ASSEMBLY INSTRUCTIONS

DAY BED WITH 2 DRAWER

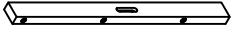

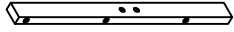

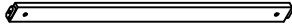
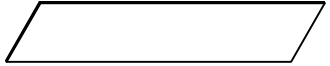

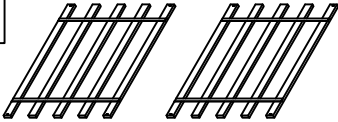
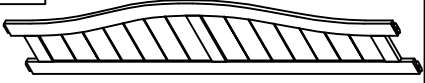
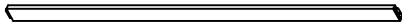

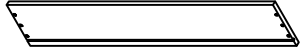





WF192860

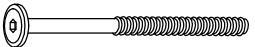
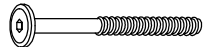


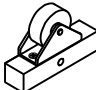

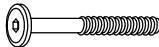

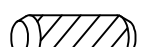
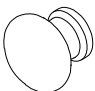

Detail View



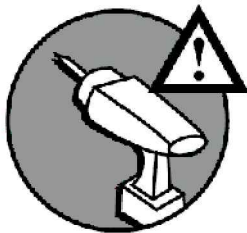
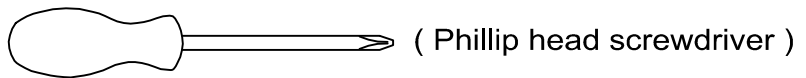
Part List

<p>A</p>  <p>Leg HB (Left)- 1pc</p>	<p>B</p>  <p>Leg HB (Right)- 1pc</p>	<p>C</p>  <p>Leg FB (Right)- 1pc</p>
<p>D</p>  <p>Leg FB (left)- 1pc</p>	<p>E</p>  <p>Horizontal bars HB&FB- 4pcs</p>	<p>F</p>  <p>Side panel (HB&FB) - 4pcs</p>
<p>G</p>  <p>Horizontal center HB&FB- 2pcs</p>	<p>H</p>  <p>Slat - 2set - (5pcs/set)</p>	<p>J</p>  <p>Guard rail (back)- 1pc</p>
<p>K</p>  <p>Horizontal(back)- 1pc</p>	<p>L</p>  <p>Side rail (Front & Back)- 2pcs</p>	<p>M</p>  <p>Drawer back panel - 2pcs</p>
<p>N</p>  <p>Drawer front - 2pcs</p>	<p>O</p>  <p>Drawer bottom - 2pcs</p>	<p>P</p>  <p>Drawer (Left/Right)- 4pcs</p>

Hardware List

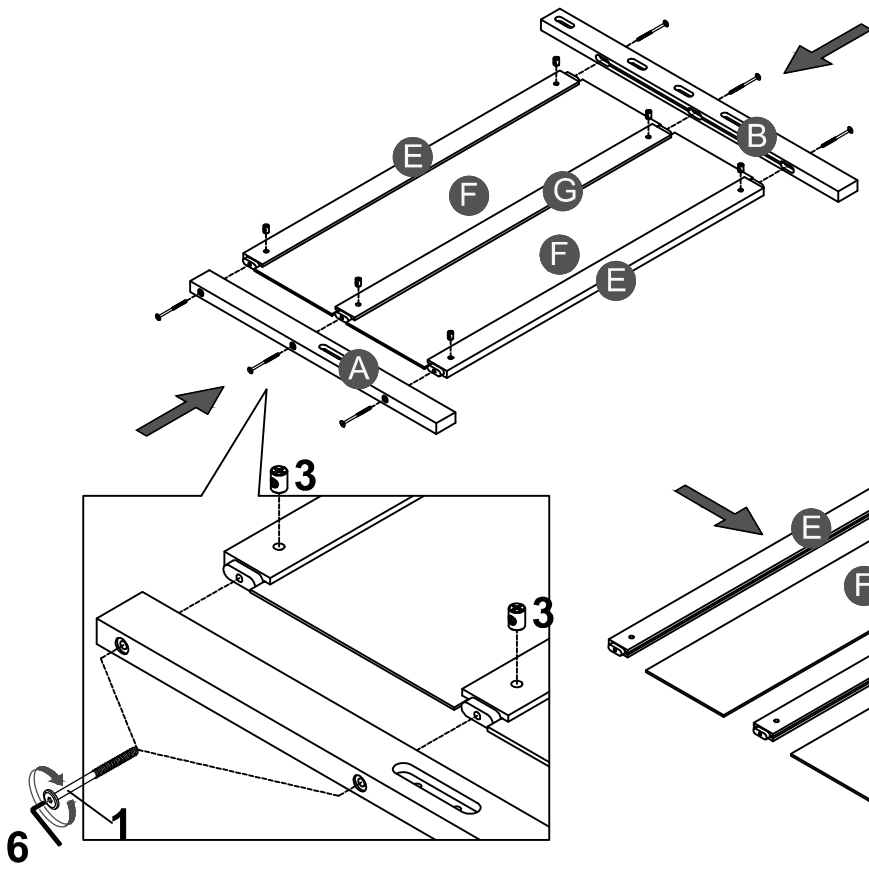
1  (Ø15)1/4"*100mm Hex-Head bolts (12pcs)	2  (Ø15)1/4"*80mm Hex-Head bolts (14pcs)	3  1/4"*15 (9.5mm) Horizontal-Hole bolts(34pcs)
4  Ø4*30mm Wood screws (24pcs)	5  100*54*20 mm Wheels (8pcs)	6  (1/4")4.5*58mm Allen key (1pc)
7  (Ø12)1/4"*60mm Hex-Head bolts (8pcs)	8  Ø8*30mm Wood dowel (16pcs)	9  Ø10*20mm Wood dowel (8pcs)
10  Ø38*31mm Pine Knob (2pcs)	11  3/16"*15mm Ph zinc(Knob) (2pcs)	

ASSEMBLY TOOLS REQUIRED (NOT INCLUDED)



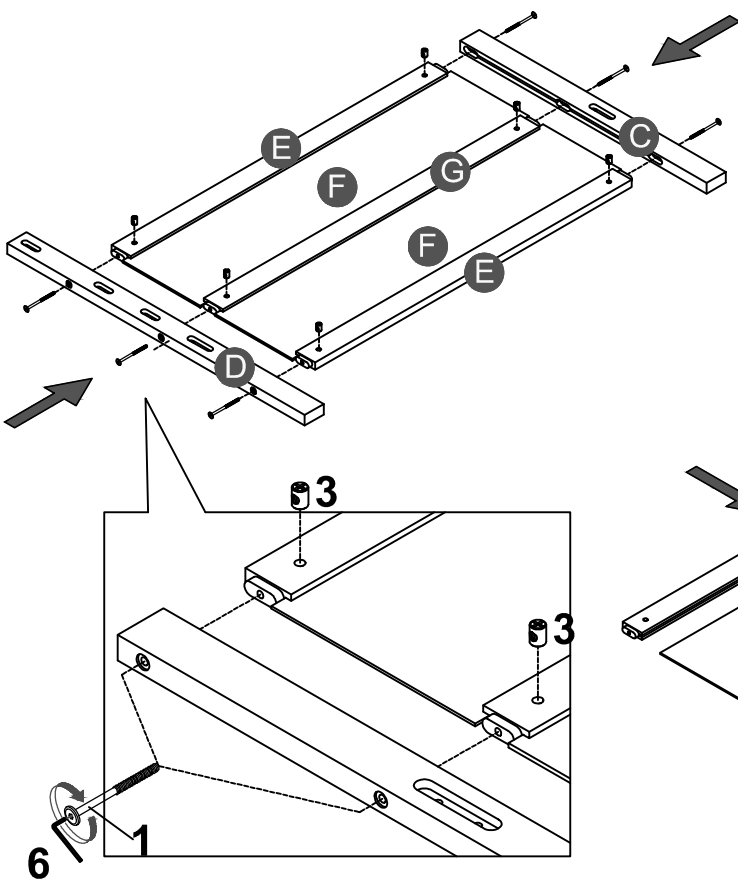
DO NOT USE POWER TOOLS TO ASSEMBLE THIS PRODUCT !

STEP 1:





1		3	
6PCS		6PCS	

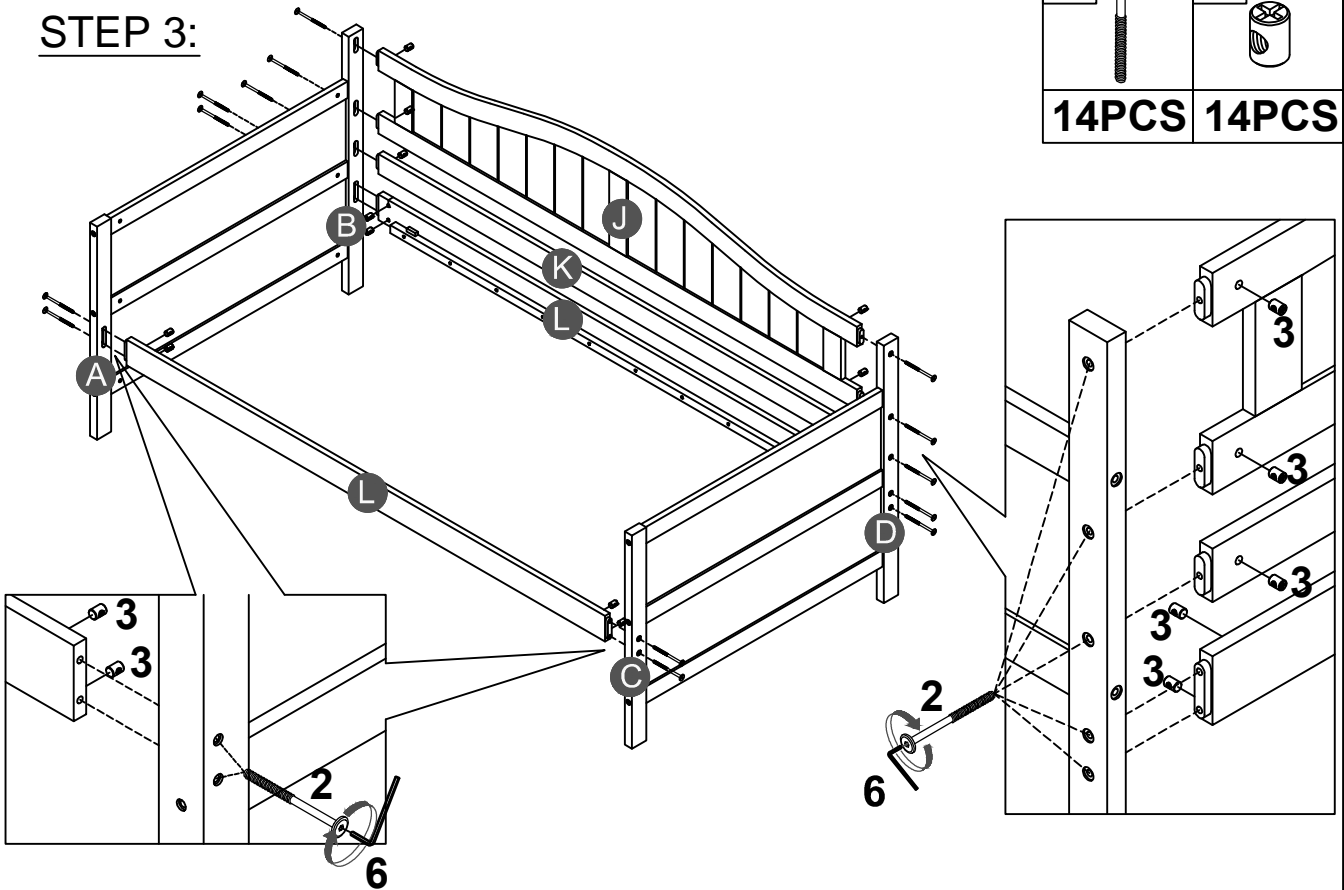
STEP 2:




1		3	
6PCS		6PCS	

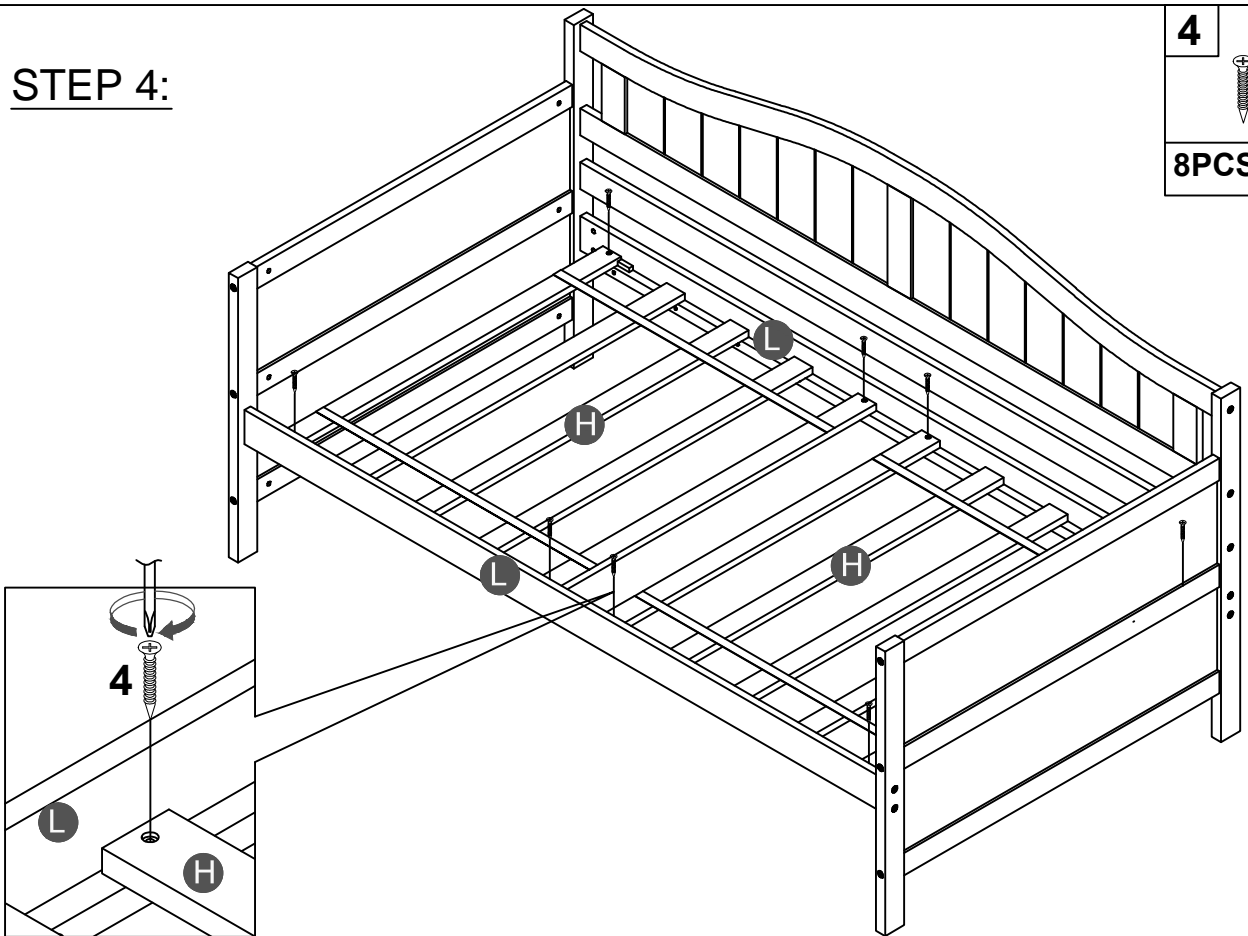
STEP 3:

2		3	
14PCS		14PCS	

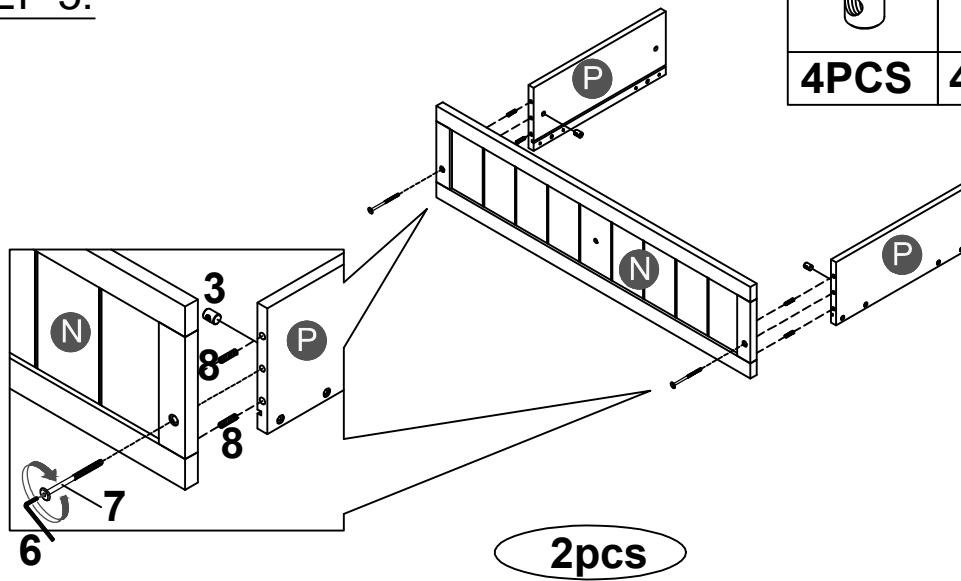


STEP 4:

4	
8PCS	



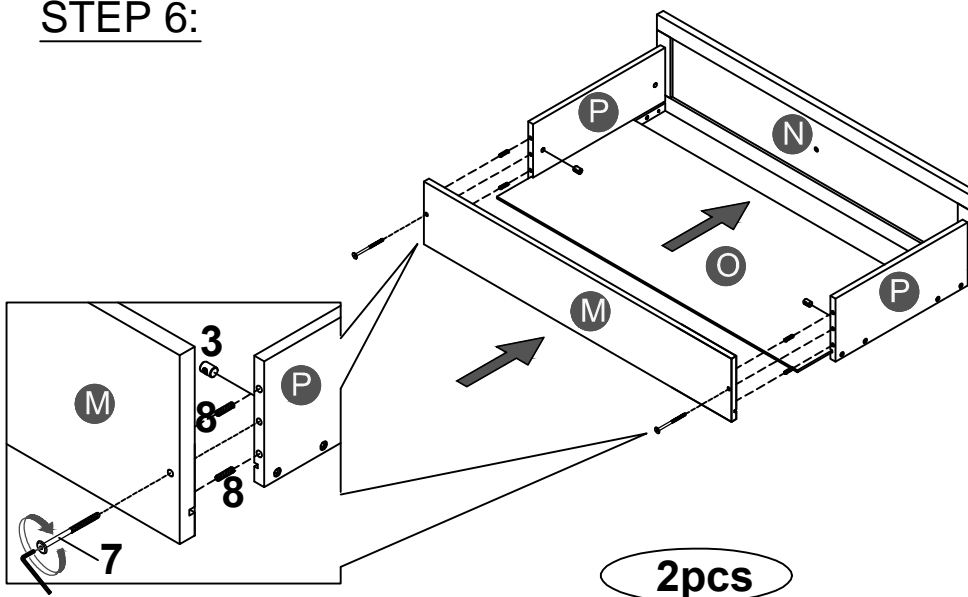
STEP 5:



3	7	8
4PCS	4PCS	8PCS

2pcs

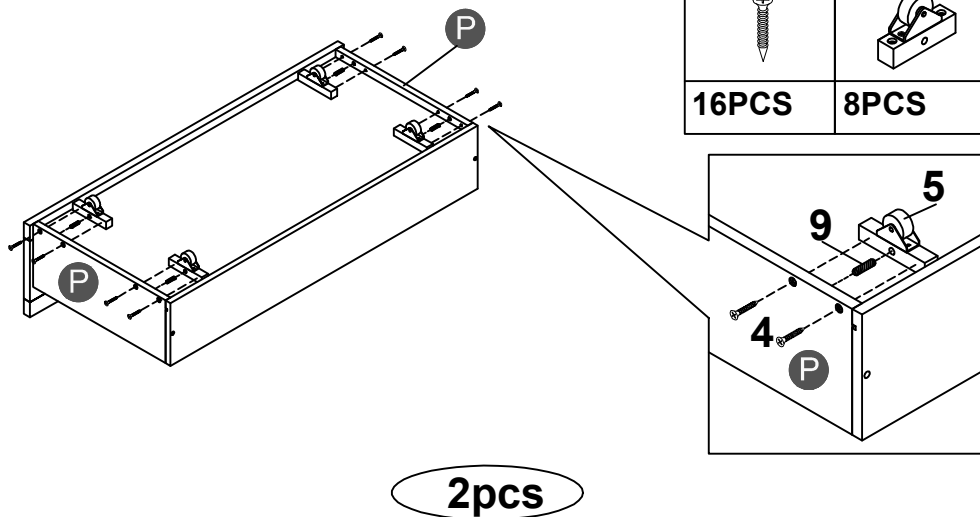
STEP 6:



3	7
4PCS	4PCS
	8
	8PCS

2pcs

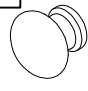

STEP 7:

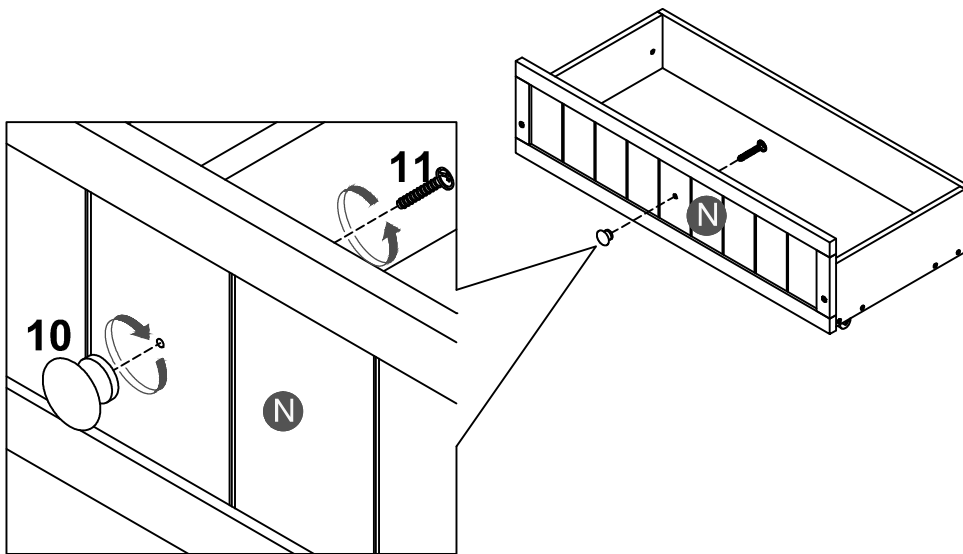


4	5	9
16PCS	8PCS	8PCS

2pcs

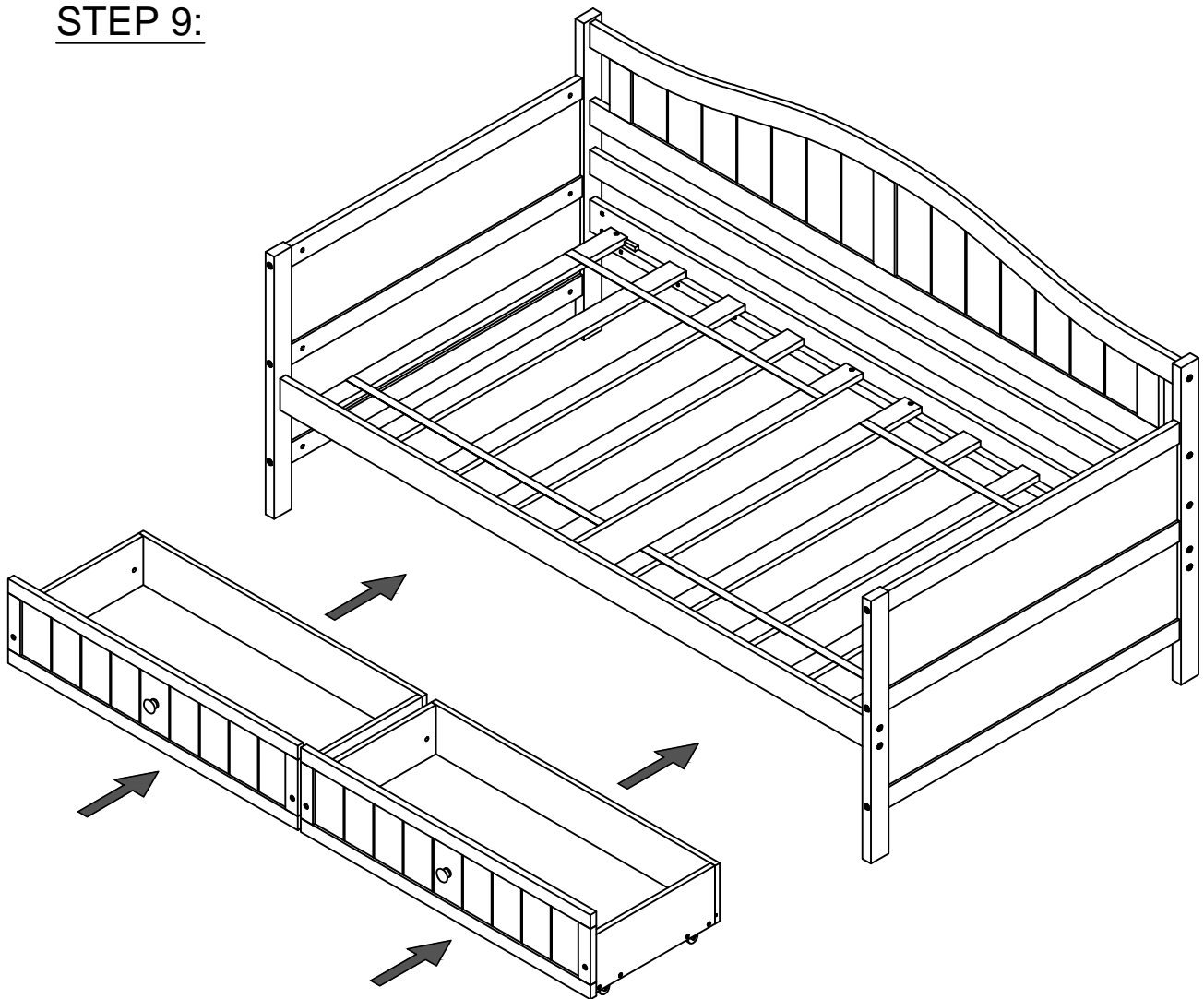
STEP 8:

10		11	
2PCS		2PCS	



2pcs

STEP 9:



Push Drawer under the bottom of Day Bed.