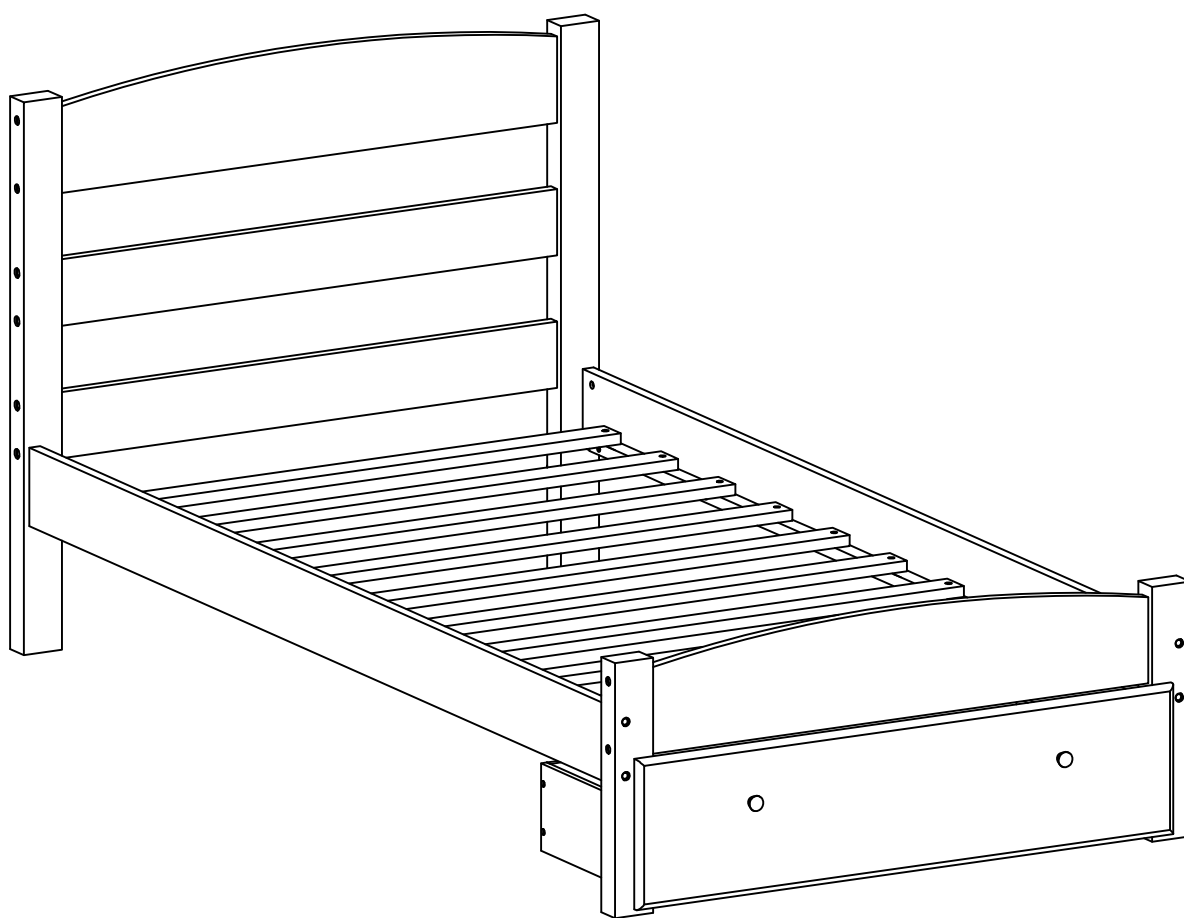


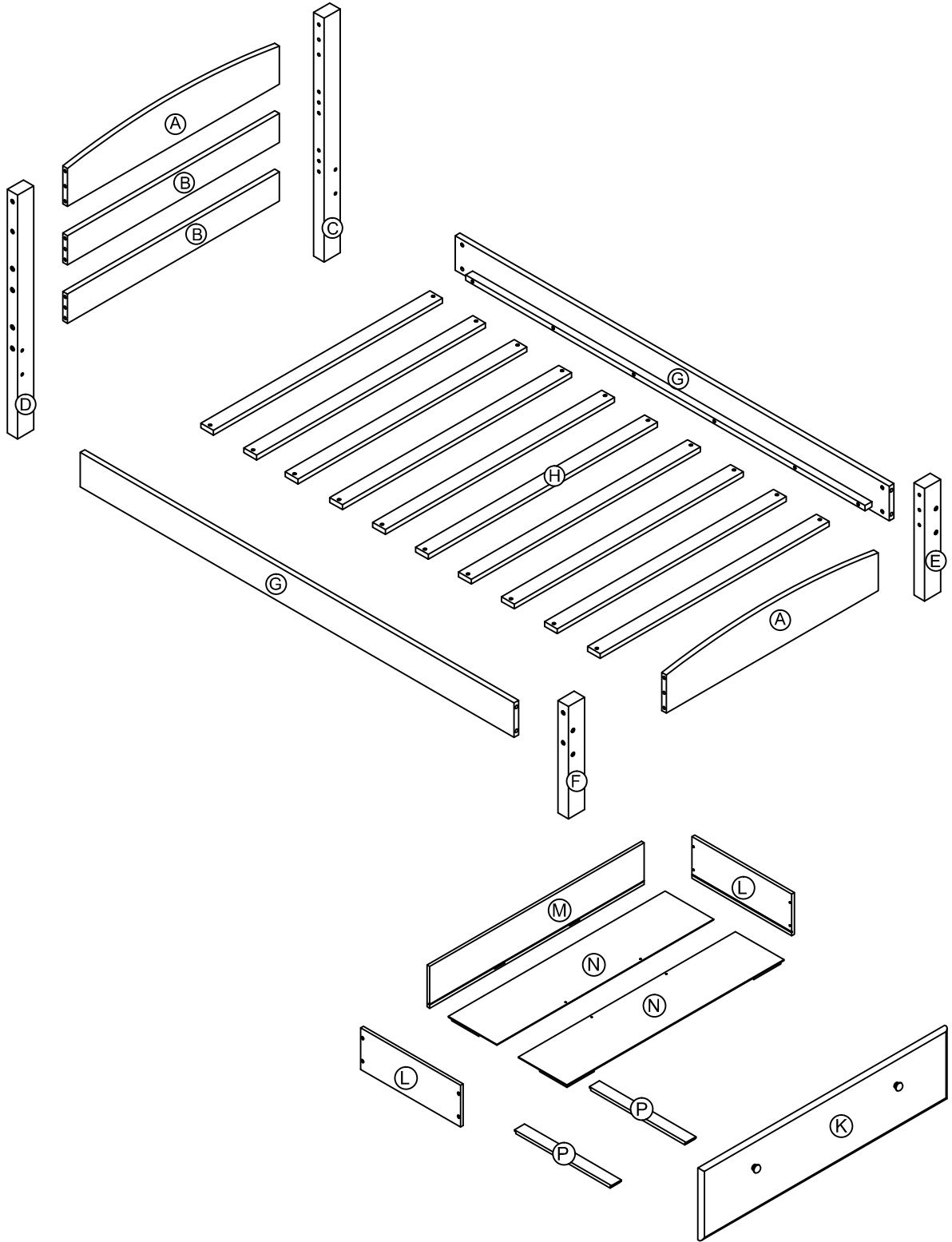
ASSEMBLY INSTRUCTIONS

SINGLE BED

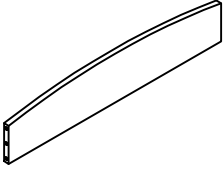
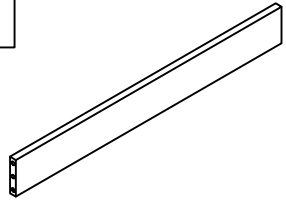
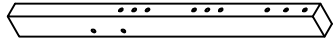
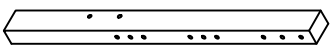


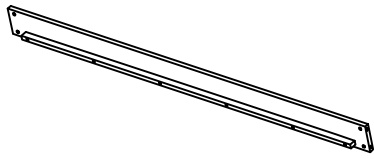
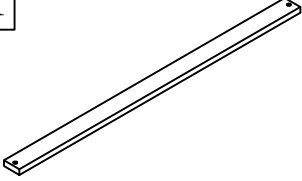
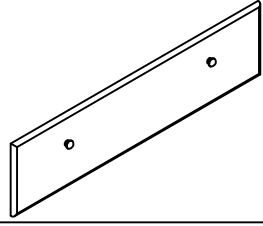
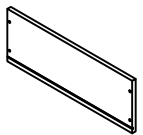
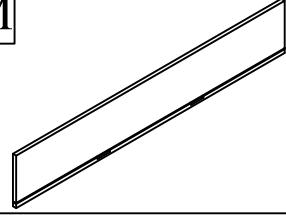
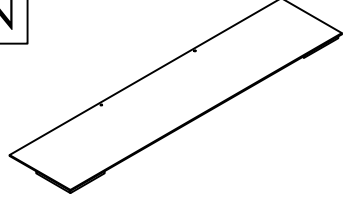



WF191655

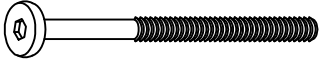
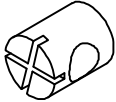
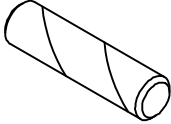
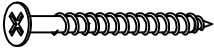
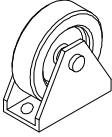
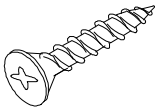
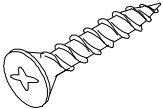
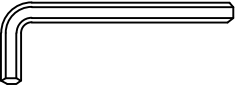


Detail View



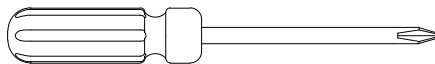
PART LISTS

<p>A</p> 	<p>B</p> 	<p>C</p> 
<p>Headboard&footboard top rail 2pcs</p>	<p>Headboard Horizontal bar 2pcs</p>	<p>Headboard leg (left side) 1pc</p>
<p>D</p> 	<p>E</p> 	<p>F</p> 
<p>Headboard leg (Right side) 1pc</p>	<p>Footboard leg (left side) 1pc</p>	<p>Footboard leg (Right side) 1pc</p>
<p>G</p> 	<p>H</p> 	<p>K</p> 
<p>Side rail 2pcs</p>	<p>Slat 10pcs</p>	<p>Drawer Front 1pc</p>
<p>L</p> 	<p>M</p> 	<p>N</p> 
<p>Drawer side panel 2pcs</p>	<p>Drawer back panel 1pc</p>	<p>Drawer bottom panel 2pcs</p>
<p>P</p> 		
<p>Drawer bottom support 2pcs</p>		

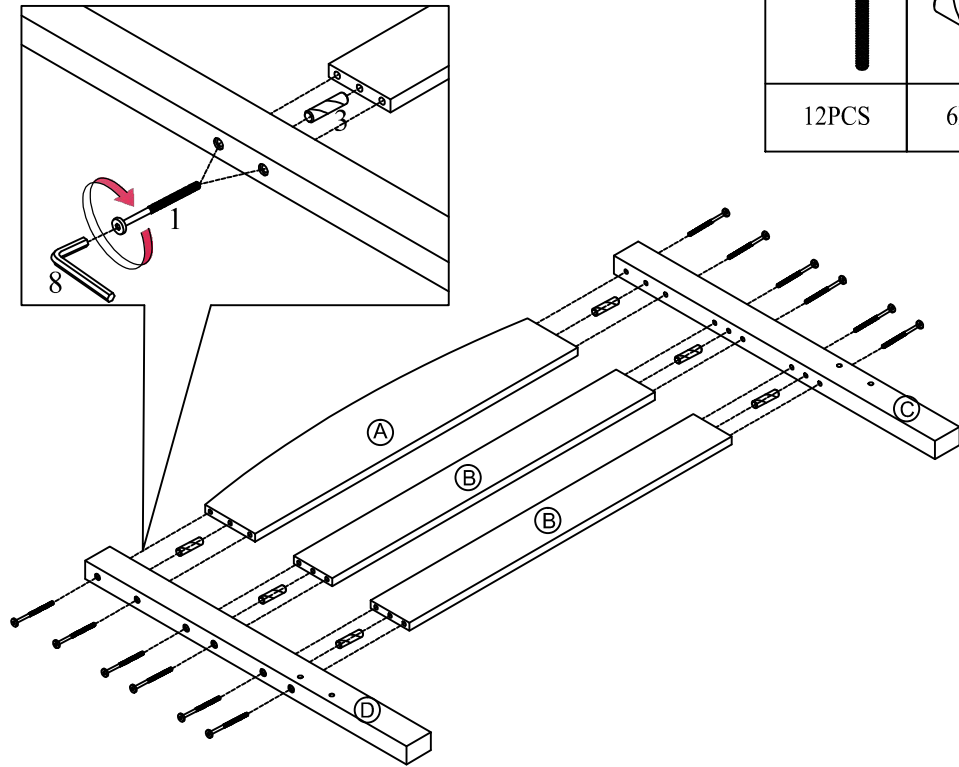
HARDWARE LISTS

<p>1</p> 	<p>2</p> 	<p>3</p> 
<p>Long Bolt: 1/4" x 85mm (24pcs)</p>	<p>Hole bolt Ø 1/4"x15mm (8pcs)</p>	<p>Wood dowel Ø10 x 30mm (12 pcs)</p>
<p>4</p> 	<p>5</p> 	<p>6</p> 
<p>Screw #8 x 30mm (20 pcs)</p>	<p>Wheel 4 pcs</p>	<p>Screw Ø3 x 15mm (12 pcs)</p>
<p>7</p> 	<p>8</p> 	<p>9</p> 
<p>Screw Ø4 x 25mm (8 pcs)</p>	<p>Allen key 4mm (1pc)</p>	<p>Bolt 3/16" x 25mm (2pcs)</p>
<p>10</p>  <p>Handle (2pcs)</p>		

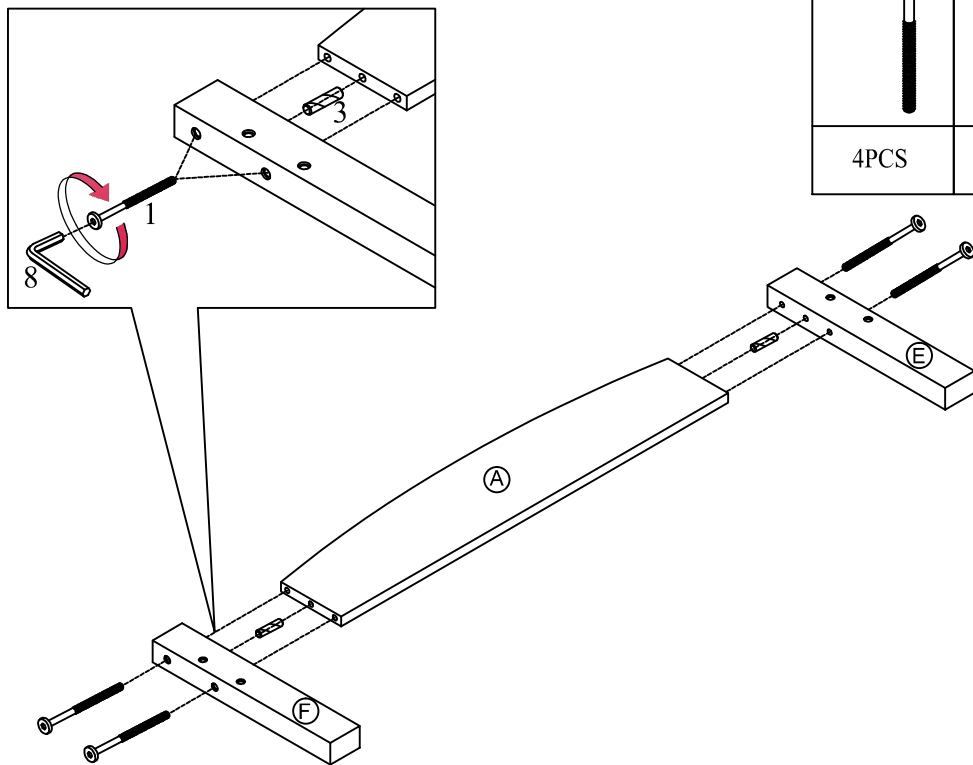
ASSEMBLY SCREW DRIVER REQUIRED (NOT INCLUDED)






STEP 1

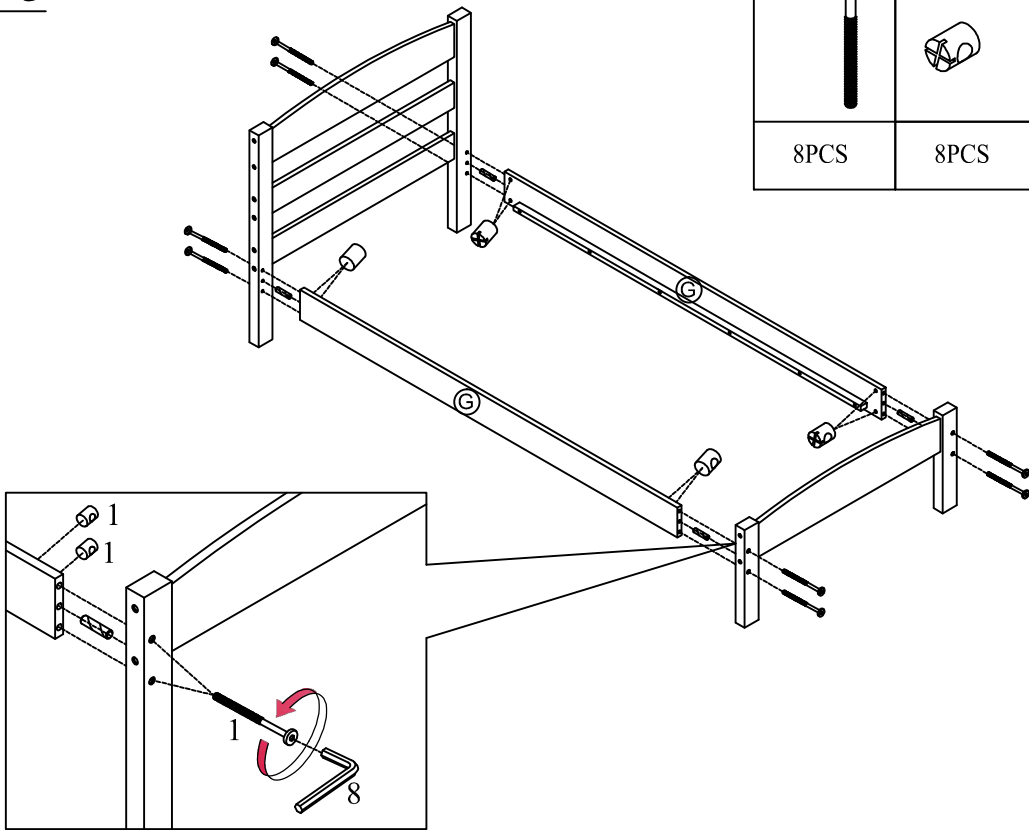


STEP 2




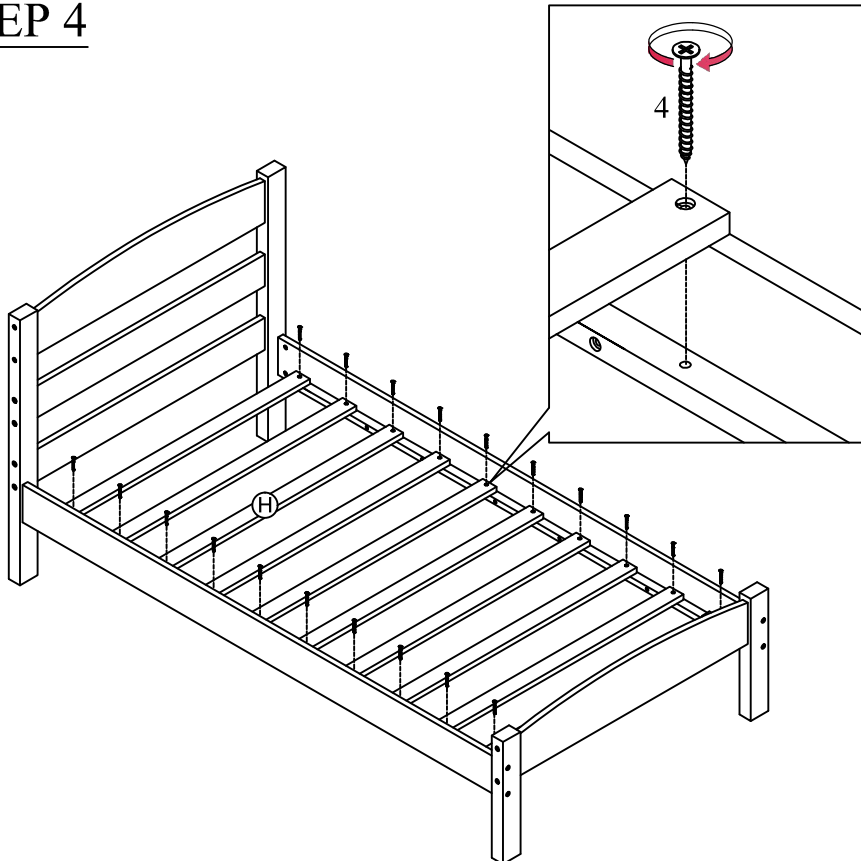
STEP 3

1		2		3	
8PCS		8PCS		4PCS	

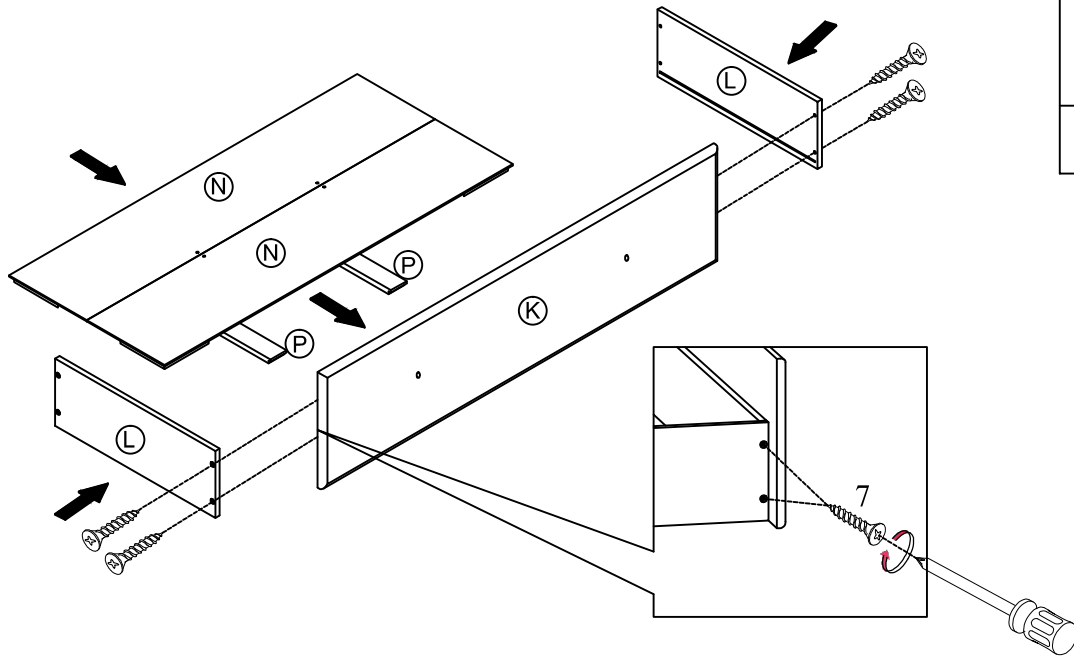


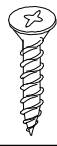
STEP 4

4	
20PCS	

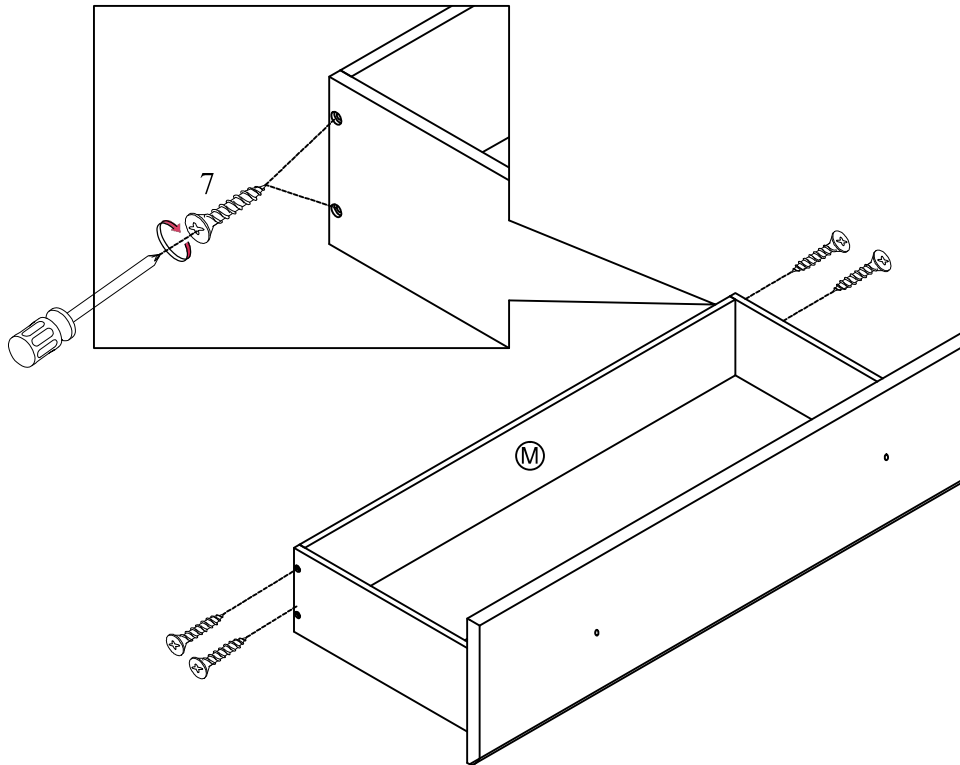


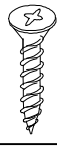
STEP 5



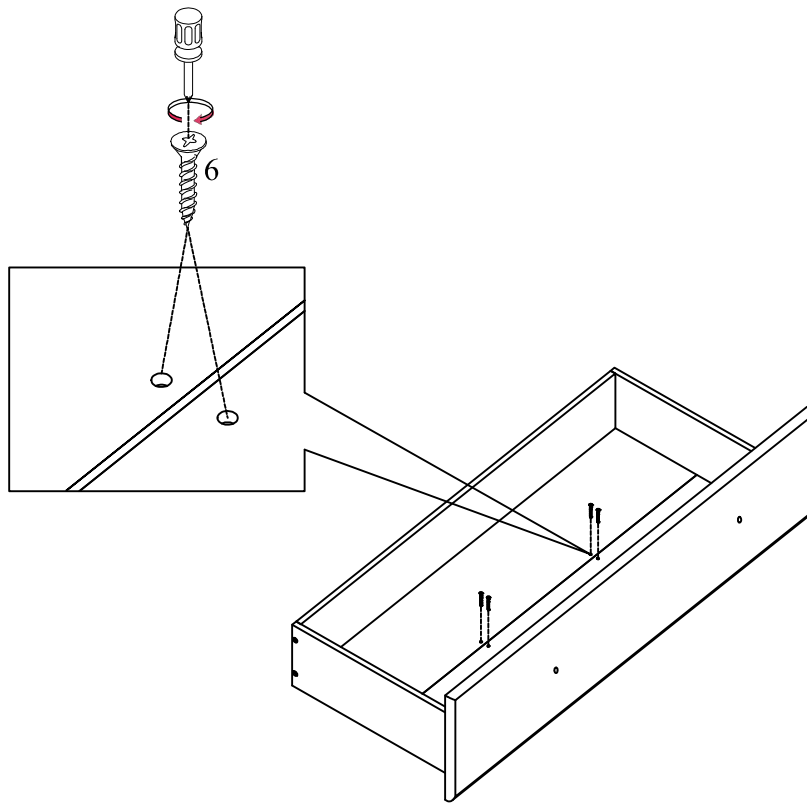
7

4PCS

STEP 6

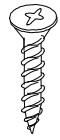


7

4PCS

STEP 7

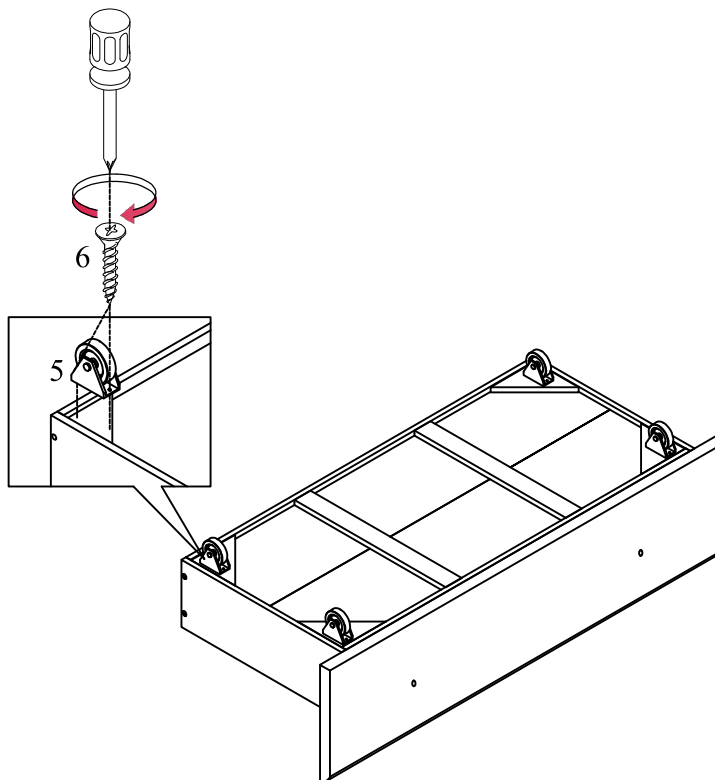


6



4PCS

STEP 8

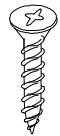


5



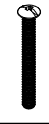

4PCS

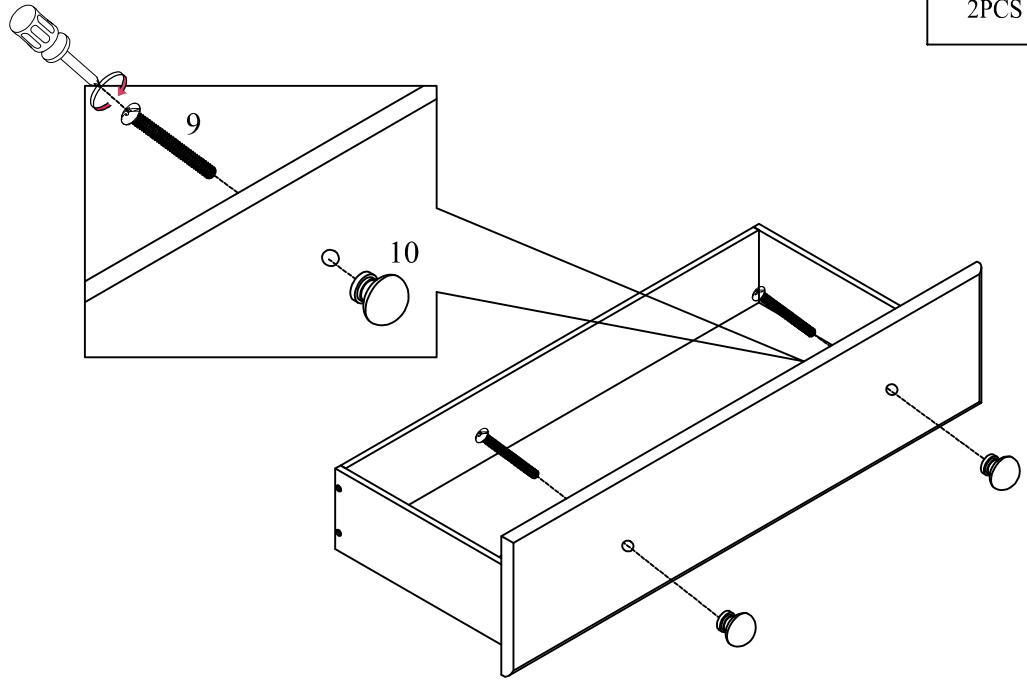
6



8PCS

STEP 9

9	10
	
2PCS	2PCS



STEP 10

