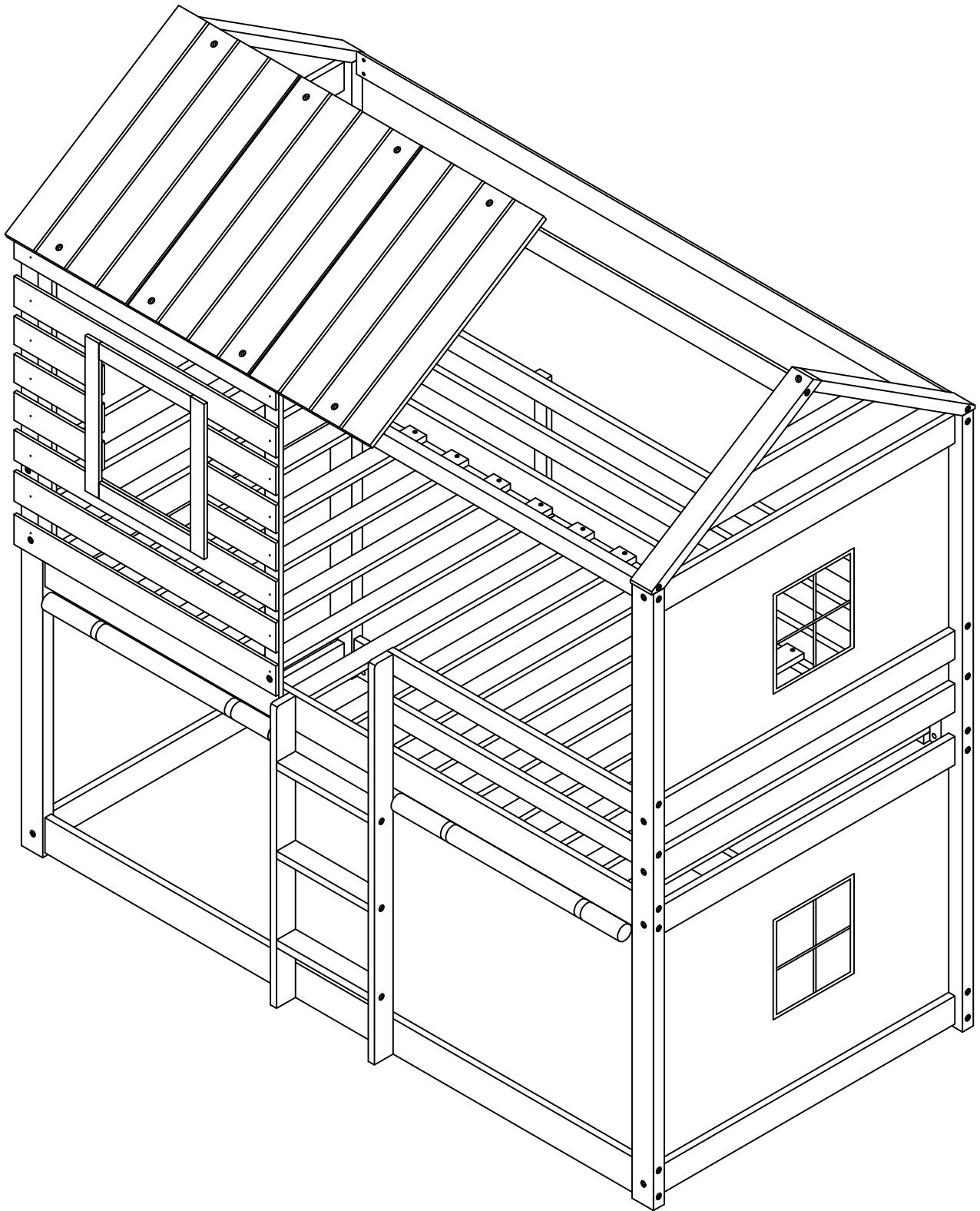


ASSEMBLY INSTRUCTIONS



WF312131/WF312132

! SAFETY WARNINGS !

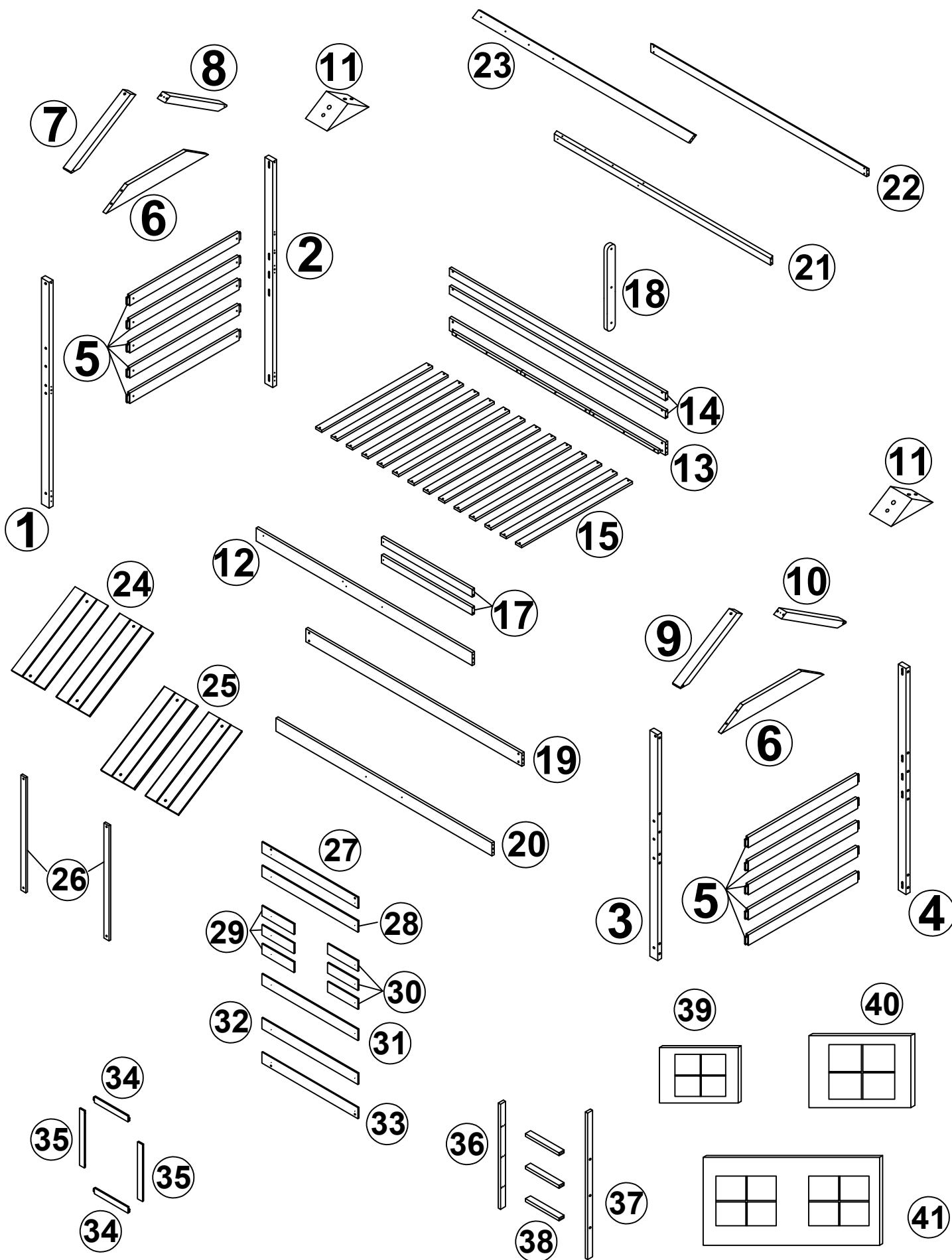
1. This bed is designed for use only mattress(es) meeting the following specifications on the upper bunk, and lower bunk:

Bed type	Length	Width	Thickness
Twin Standard	74" - 75"	38 1/2"	6"

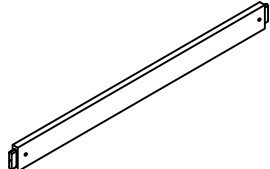
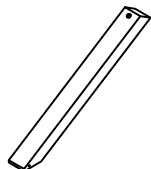
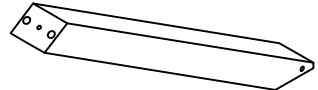
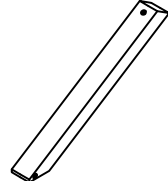
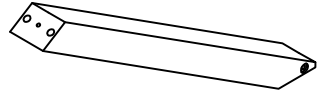
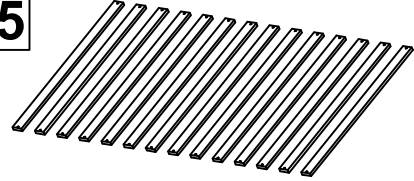
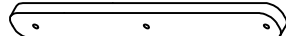
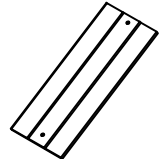
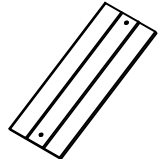
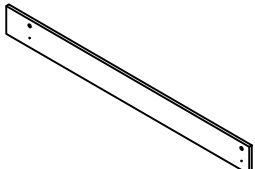
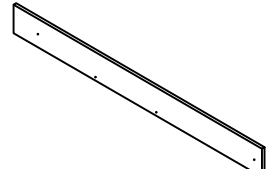
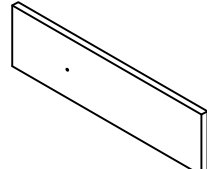
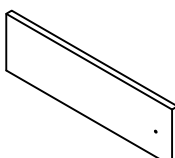
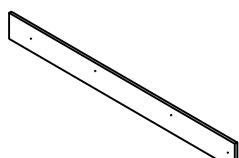
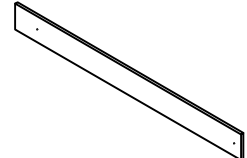
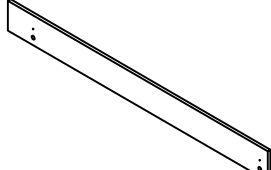
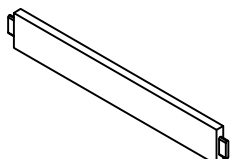
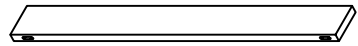
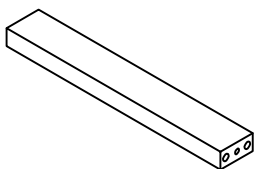
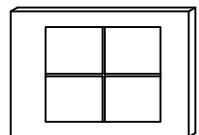
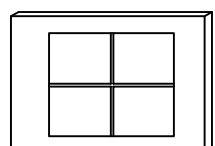
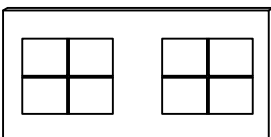
Bed type	Length	Width	Thickness
Twin Standard	74" - 75"	38 1/2"	6"

2. Replacement parts, including additional guardrails, may be obtained from any of our (GIGACLOUD TECHNOLOGY (USA) INC . 18961 ARENTH AVENUS CITY OF INDUSTRY, CA, 91748) dealers
3. Follow the information on the warnings appearing on the upper bunk bed end structure and on the carton. Do not remove warning label from bed.
4. Always use the recommended size mattresses or mattress supports, or both, to help prevent the likelihood of entrapment or falls.
5. Surface of the mattress must be at least 5 in. (127 mm) below the upper edge of guardrails.
6. Do not allow children under 6 years of age to use the upper bunk.
7. Periodically check and ensure that the guardrail, ladder, and other components are in their proper position, free from damage, and that all connectors are tight.
8. Do not allow horseplay on or under the bed and prohibit jumping on the bed
9. Always use the ladder for entering and leaving the upper bunk.
10. Do not use substitute parts. Contact the manufacturer or dealer for replacement parts.
11. Use of a night light may provided added safety precaution for a child using the upper bunk.
12. Always use guardrails on both long sides of the upper bunk. If the bunk bed will be placed next to the wall, the guardrail that runs the full length of the bed should be placed against the wall to prevent entrapment between the bed and wall.
13. The use of water or sleep flotation mattresses is prohibited.
14. **STRANGULATION HAZARD** – Never attach or hang items to any part of the bunk bed that are not designed for use with the bed; for axample, but not limited, hook, belts and jump ropes.
15. Keep these instructions for future reference
16. Prohidit more than one person on upper bunk .
17. We recommend assembling your bunk bed on the shipping carton to protect your floor or carpet .
18. Be caertain all staples are out of the box before beginning assembly on the shipping carton .



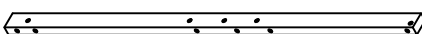

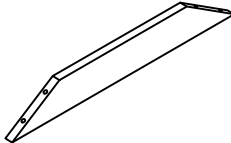
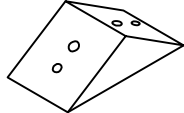
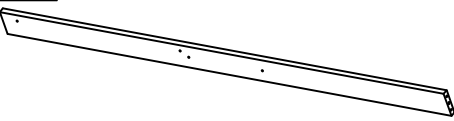
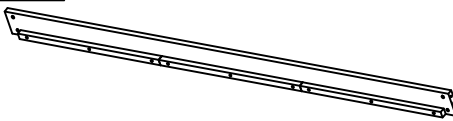
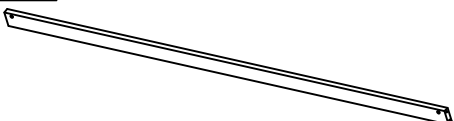
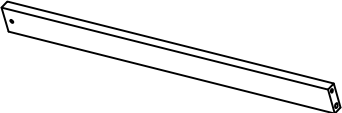
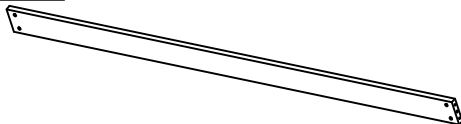
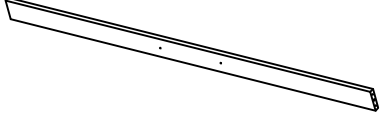
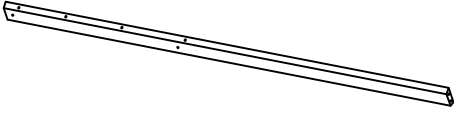

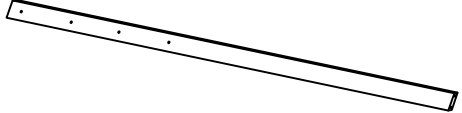
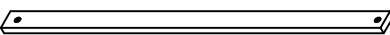
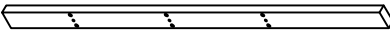
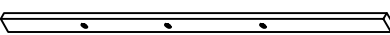
Detail View



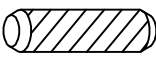



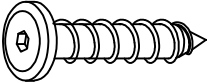

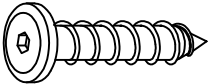

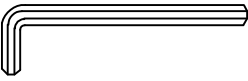


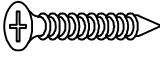


Part Lists : WF312131

<p>5</p> 	<p>7</p> 	<p>8</p> 
<p>Crossbar - 10pcs</p>	<p>Roof beam (left) - 1pc</p>	<p>Rear roof beam (left) - 1pc</p>
<p>9</p> 	<p>10</p> 	<p>15</p> 
<p>Roof beam (right) - 1pc</p>	<p>Rear roof beam (right) - 1pc</p>	<p>Slats - 14pcs</p>
<p>18</p> 	<p>24</p> 	<p>25</p> 
<p>Splints - 1pc</p>	<p>Roof valve - 2pcs</p>	<p>Roof valve - 2pcs</p>
<p>27</p> 	<p>28</p> 	<p>29</p> 
<p>Roof beam (rear) - 1pc</p>	<p>Long panel - 1pc</p>	<p>Frame brace - 3pcs</p>
<p>30</p> 	<p>31</p> 	<p>32</p> 
<p>Short panel - 3pcs</p>	<p>Long panel - 1pc</p>	<p>Long panel - 1pc</p>
<p>33</p> 	<p>34</p> 	<p>35</p> 
<p>Frame brace - 1pc</p>	<p>Short door bar - 2pcs</p>	<p>Long door bar - 2pcs</p>
<p>38</p> 	<p>39</p> 	<p>40</p> 
<p>Stair steps - 3pcs</p>	<p>Small fabric - 2pcs</p>	<p>Medium fabric - 2pcs</p>
<p>41</p> 		
<p>Large fabric - 1pc</p>		

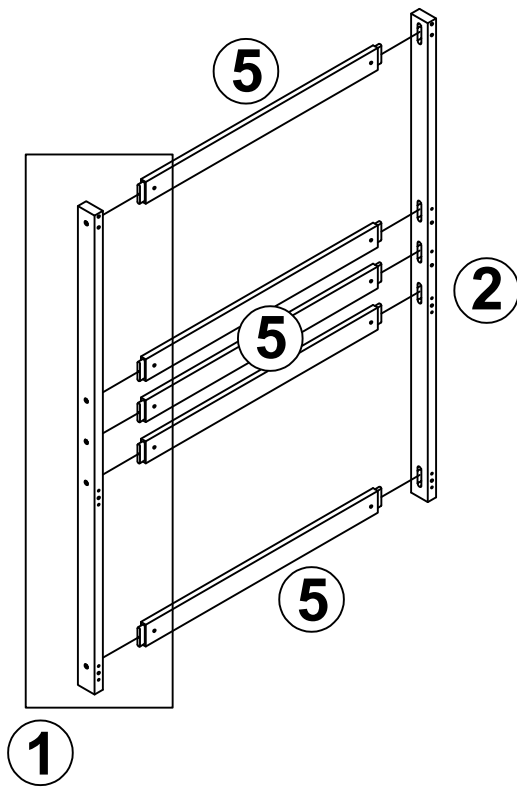
Part Lists : WF312132

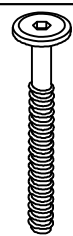
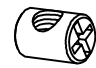
<p>1</p> 	<p>2</p> 	<p>3</p> 
<p>Front leg (left) - 1pc</p>	<p>Front leg (right) - 1pc</p>	<p>Back leg (left) - 1pc</p>
<p>4</p> 	<p>6</p> 	<p>11</p> 
<p>Front leg (right) - 1pc</p>	<p>Roof plank - 2pcs</p>	<p>Roof Block (L/R) - 2pcs</p>
<p>12</p> 	<p>13</p> 	<p>14</p> 
<p>Bed shoulder (front) - 1pc</p>	<p>Bed shoulder (Back) - 1pc</p>	<p>Long upper beam - 2pcs</p>
<p>17</p> 	<p>19</p> 	<p>20</p> 
<p>Short top bar - 2pcs</p>	<p>Lower beam (rear) - 1pc</p>	<p>Lower beam (front) - 1pc</p>
<p>21</p> 	<p>22</p> 	<p>23</p> 
<p>Roof beam (front) - 1pc</p>	<p>Roof beam (rear) - 1pc</p>	<p>Middle roof beam - 1pc</p>
<p>26</p> 	<p>36</p> 	<p>37</p> 
<p>Door splint - 2pcs</p>	<p>Stair foot (left) - 1pc</p>	<p>Stair foot (right) - 1pc</p>

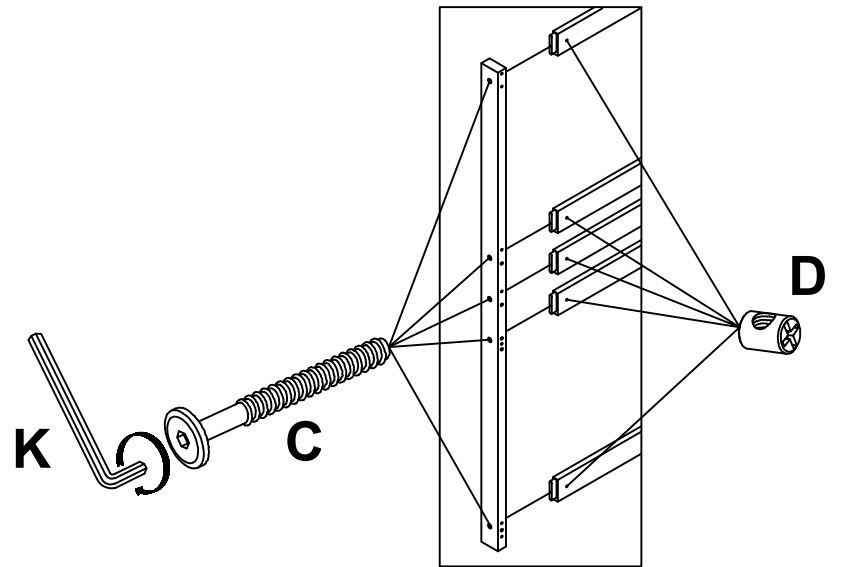
Hardware Lists : WF312132

A  Ø10*30mm	B  Ø1/4"*110mm	C  Ø1/4"*80mm
Wood dowel (42pcs)	Hex-Head bolt (32pcs)	Hex-Head bolt (20pcs)
D  Ø1/4"*9.5*12mm	E  Ø6*30mm	G  Ø6*50mm
Horizontal-Hole bolt (58pcs)	Hex-Head screw (3pcs)	Hex-Head screw (16pcs)
H  Ø6*20mm	J  Ø3.5*15mm	K  K4mm
Hex-Head screw (8pcs)	Wood screws (26pcs)	Allen key (2pcs)
L  #4*50mm	M  Ø1/4"*65mm	N  #4*30mm
Screw (4pcs)	Hex-Head bolt (6pcs)	Screw (28pcs)
O  Ø1/4"*30mm	P  Ø1/4"	
Hex-Head bolt (4pcs)	Nut (4pcs)	

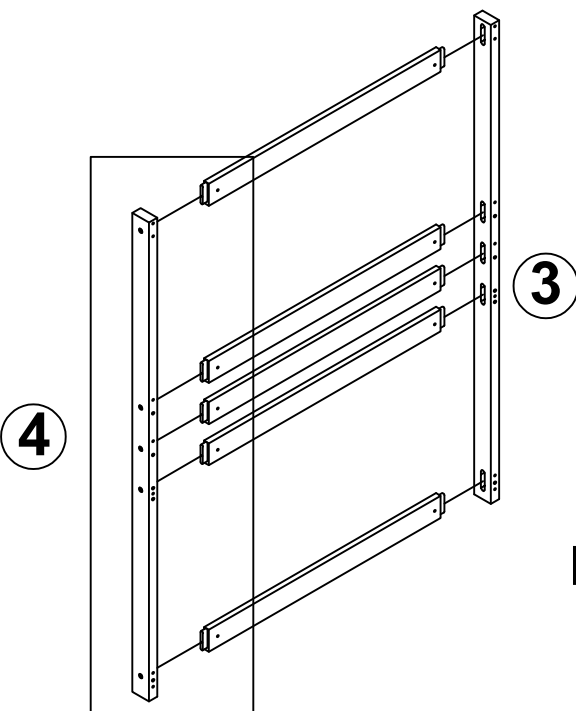
Step 1

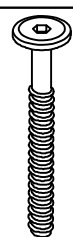
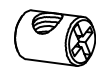


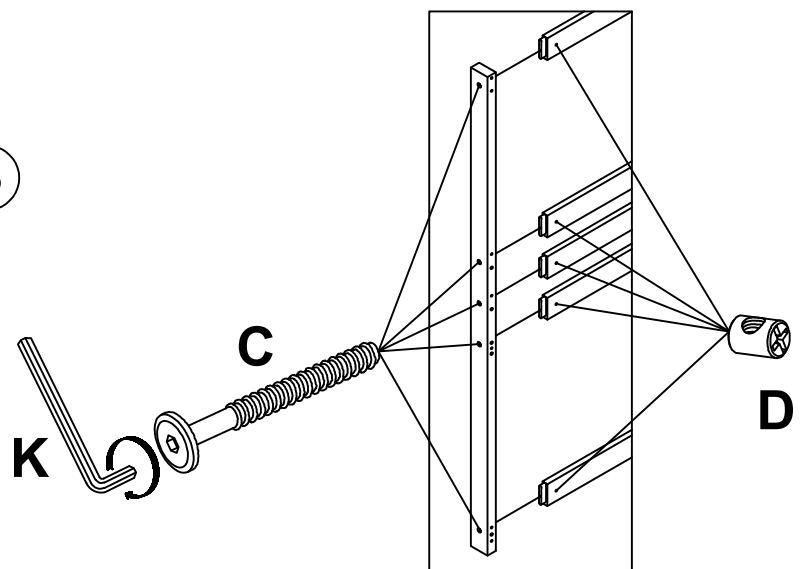
C		D	
10PCS		10PCS	



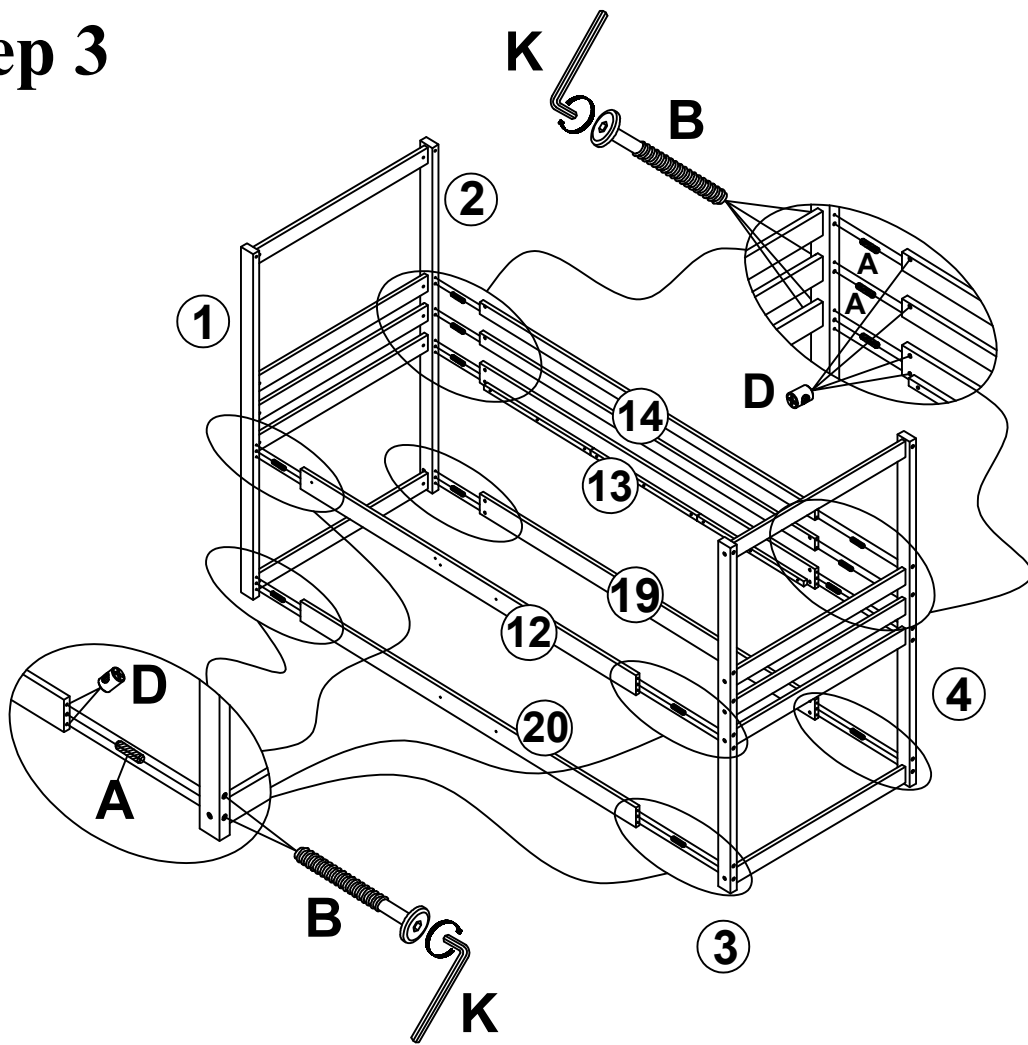
Step 2


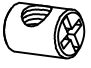



C		D	
10PCS		10PCS	

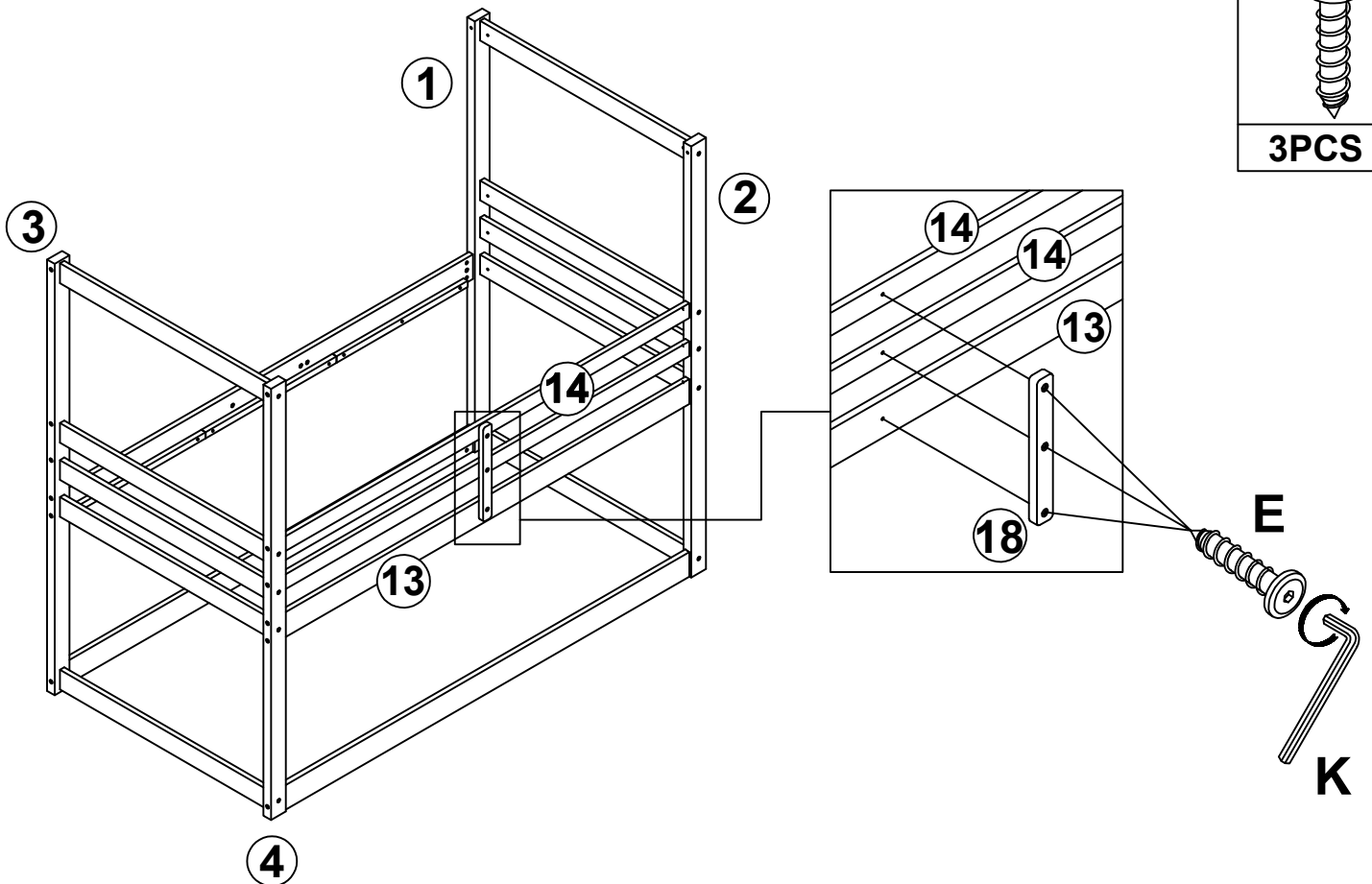


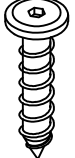
Step 3



B		D	
20PCS		20PCS	
		A	
		12PCS	



Step 4

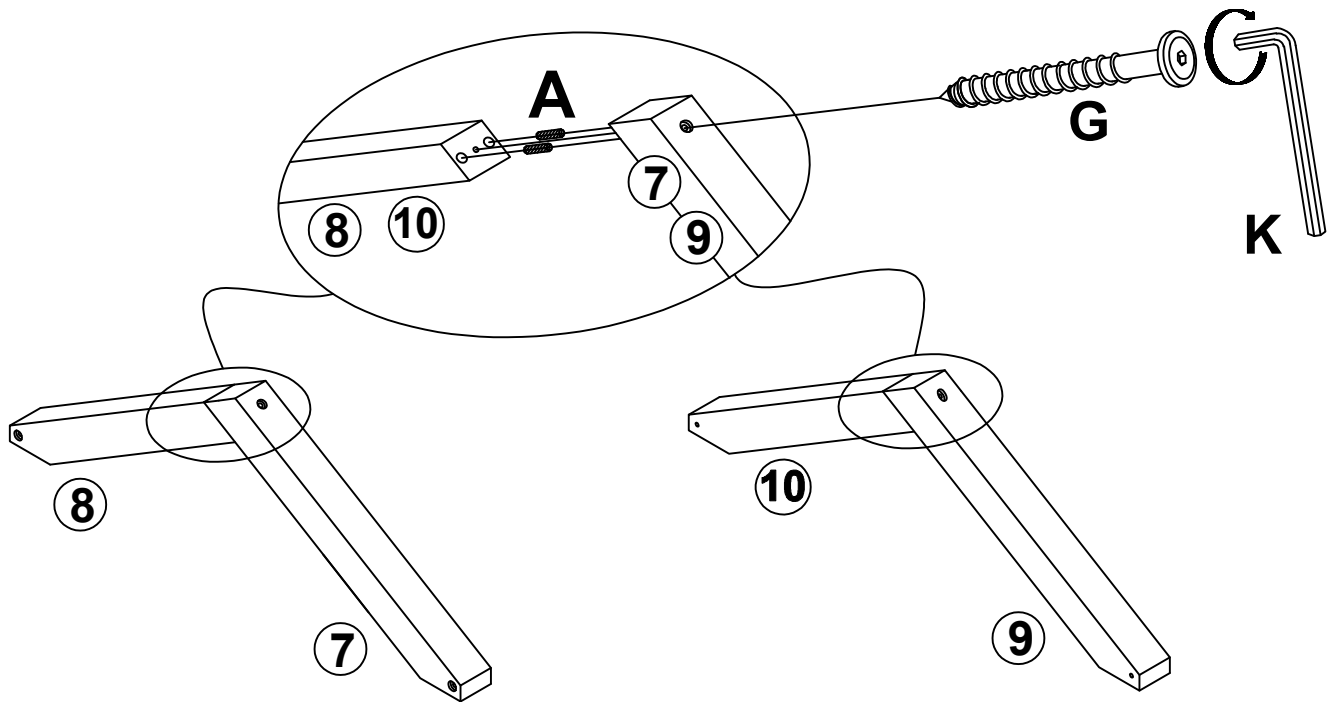


E	
3PCS	

Step 5



Tighten up to 50%

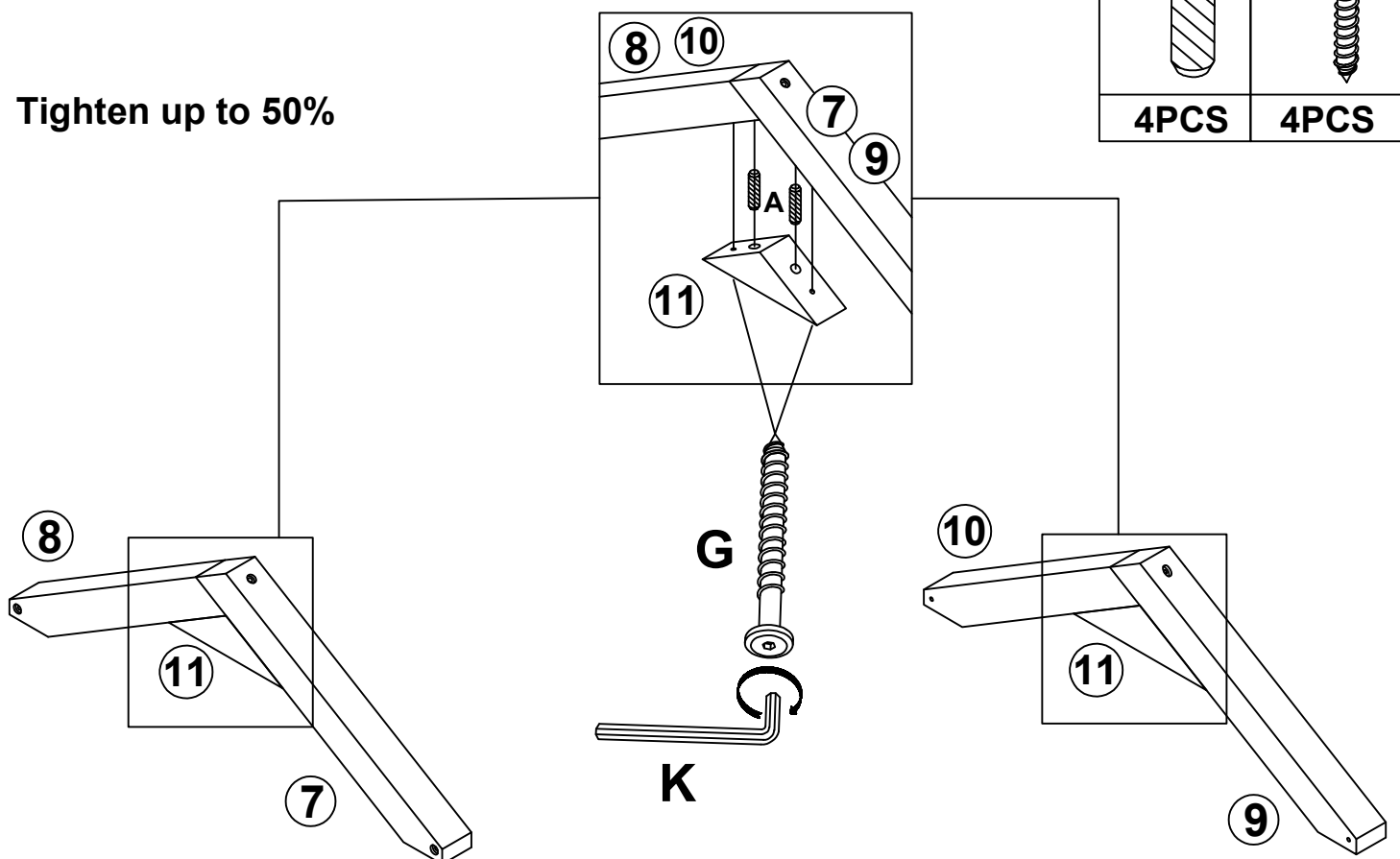
A		G	
4PCS		2PCS	



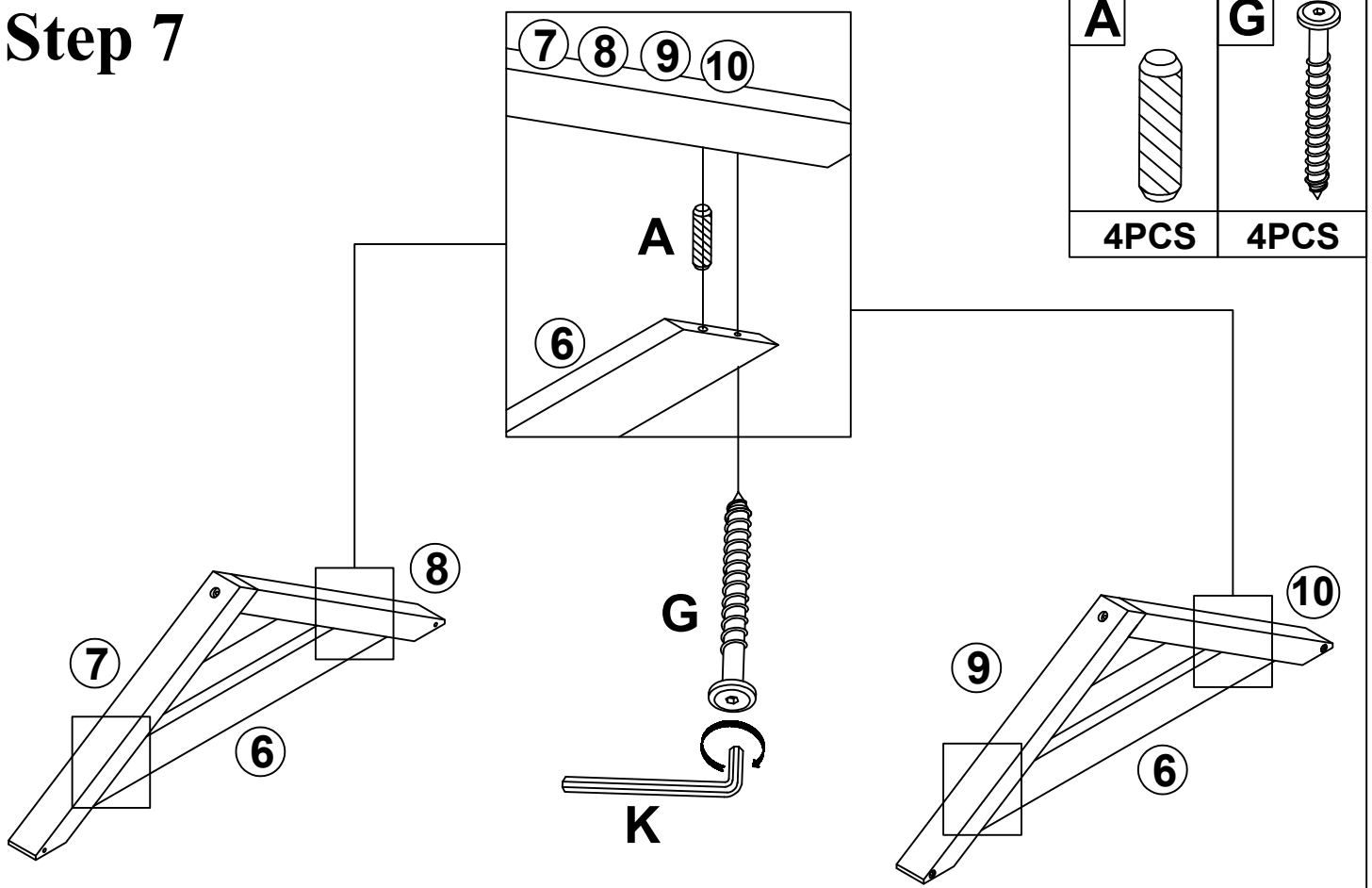
Step 6



Tighten up to 50%

A		G	
4PCS		4PCS	



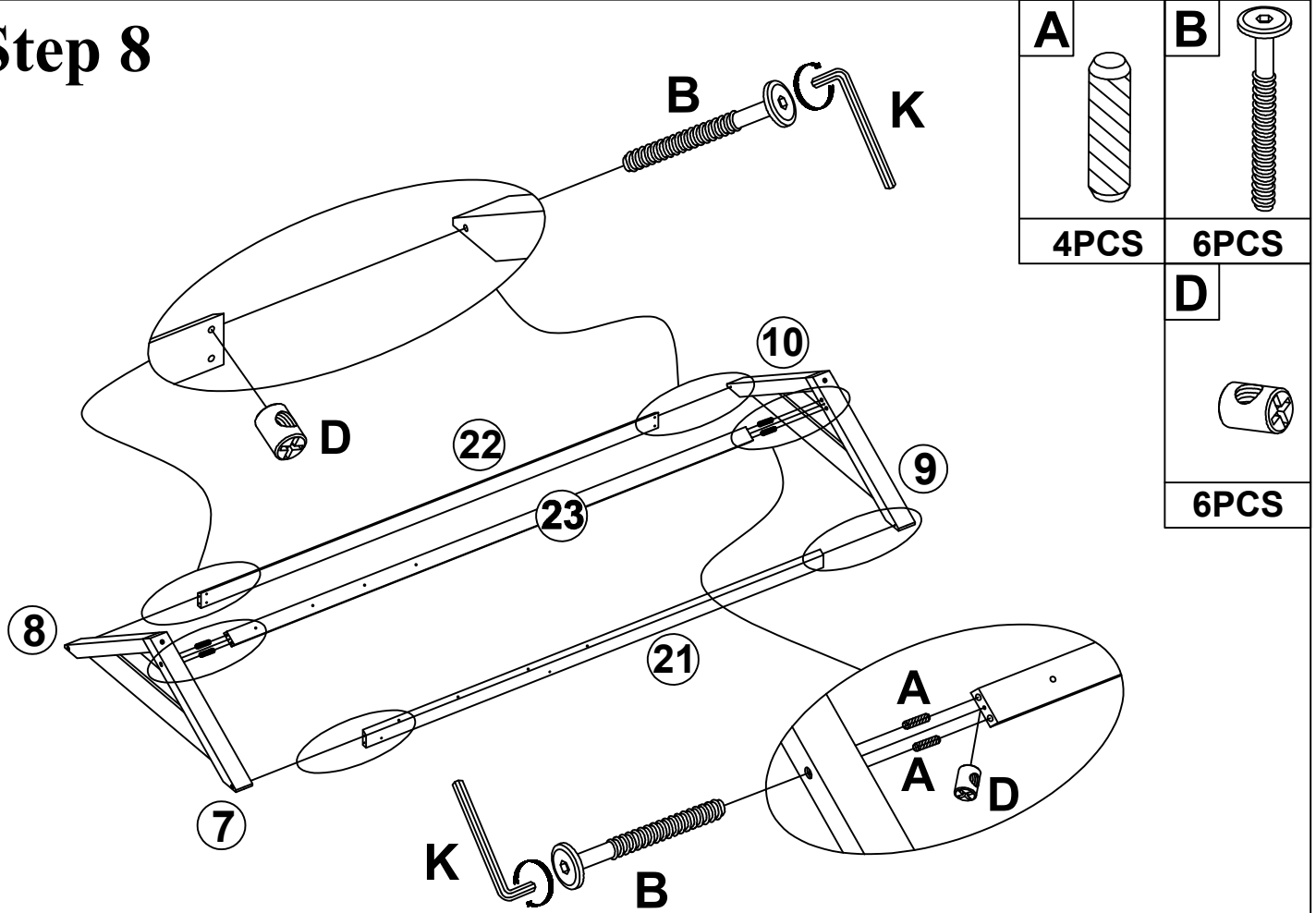
Step 7






A		G	
4PCS		4PCS	

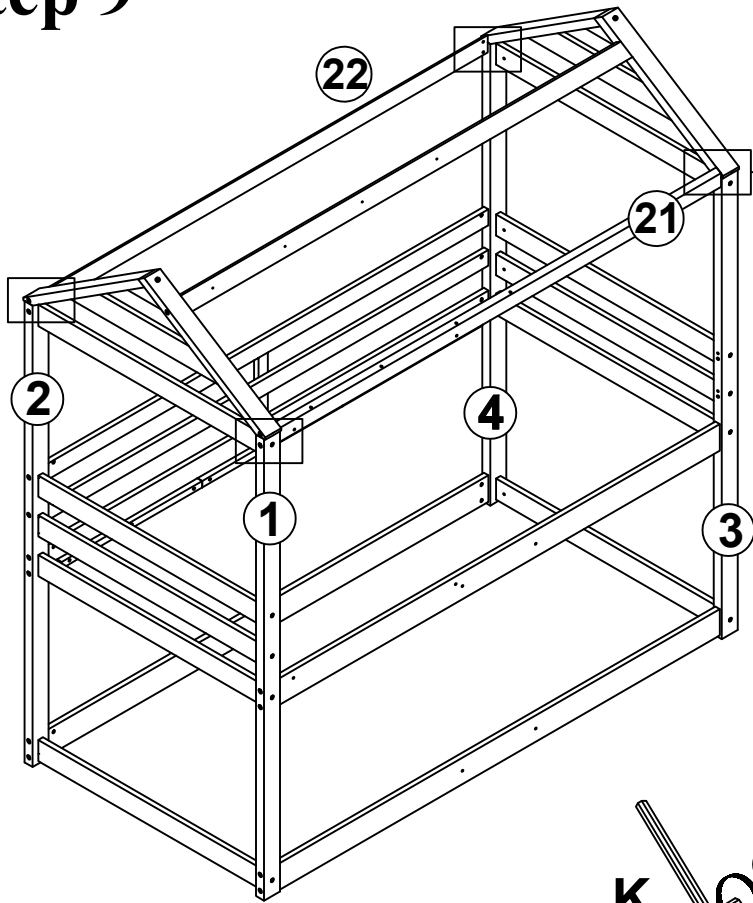
100% complete tightening

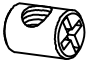

Step 8

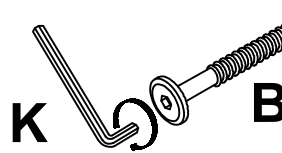
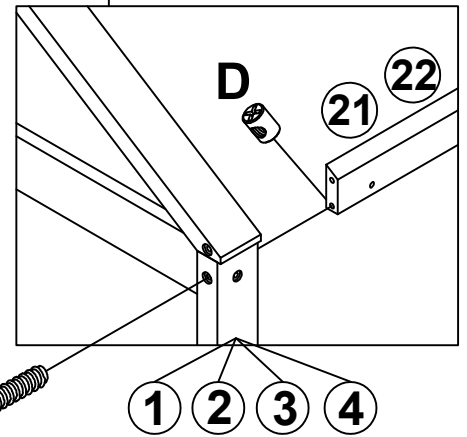


A		B	
4PCS		6PCS	
D			
			
6PCS			

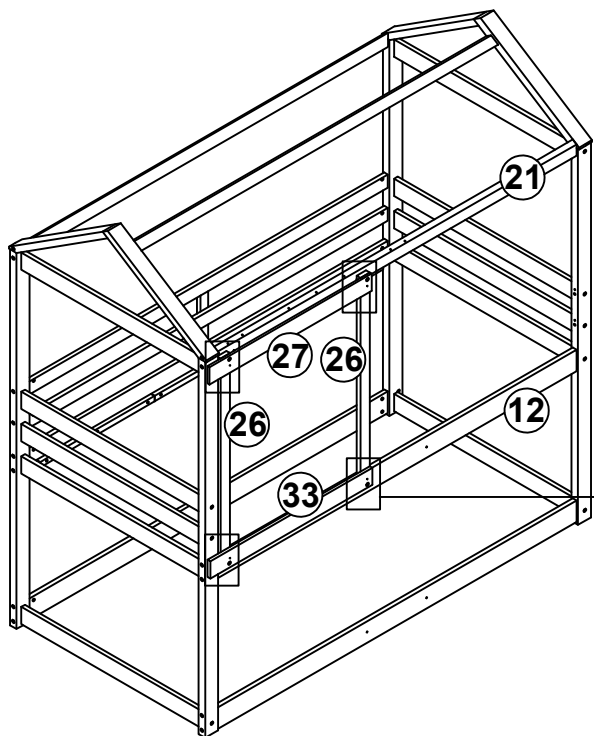
Step 9


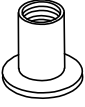


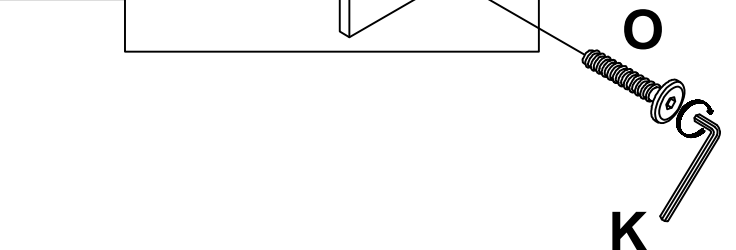
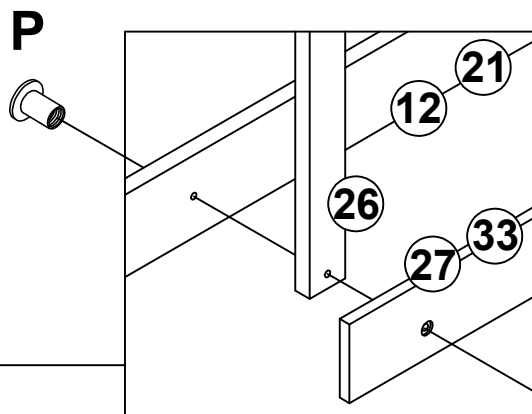
D	B
	
4PCS	4PCS



Step 10



O	P
	
4PCS	4PCS

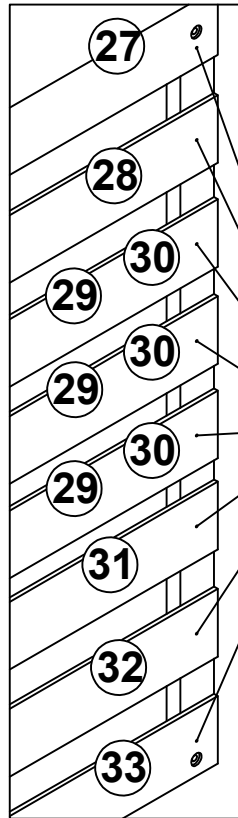
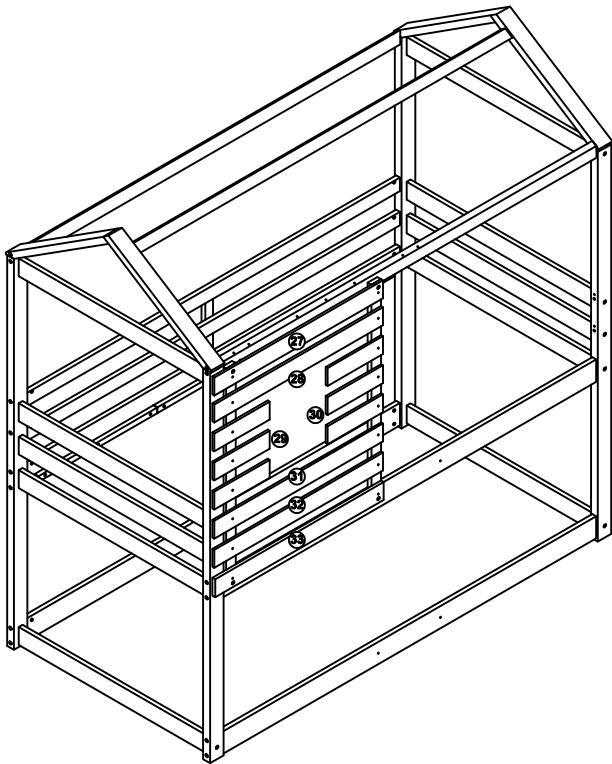


Step 11

J

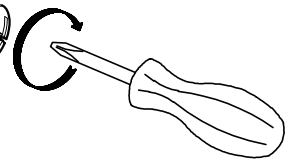


16PCS



J

C

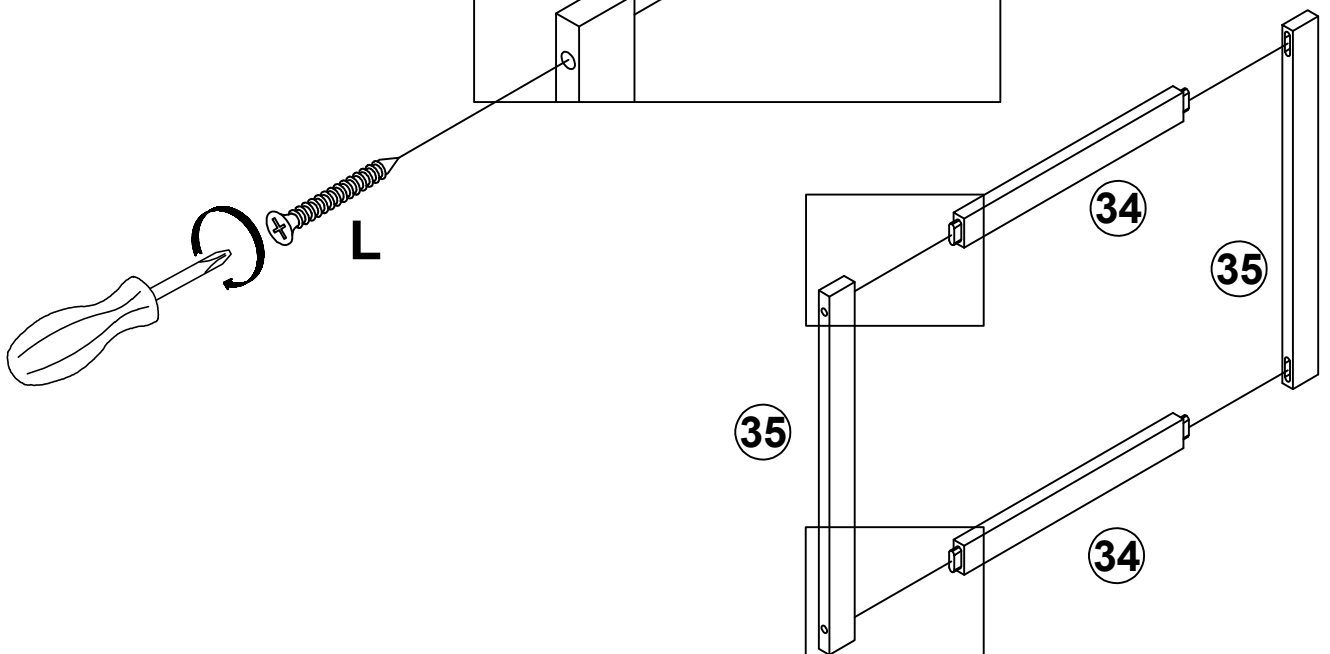
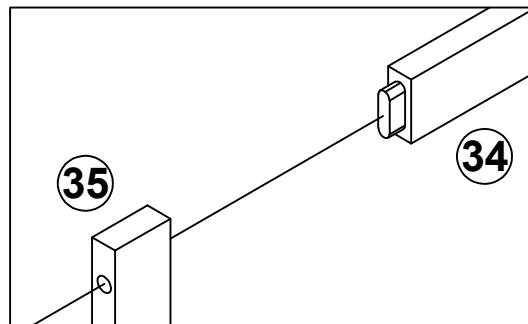


Step 12

L

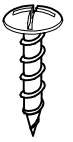


4PCS

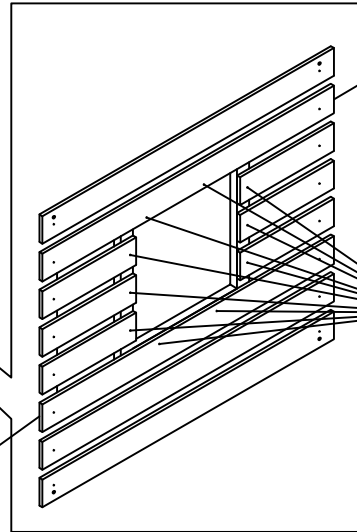
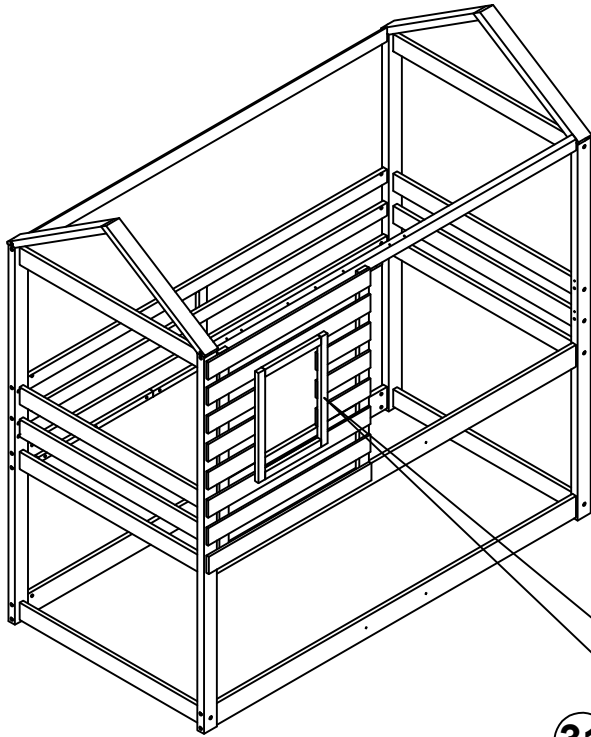


Step 13

J



10PCS



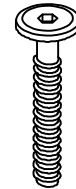
J

C

31

Step 14

M



6PCS

D

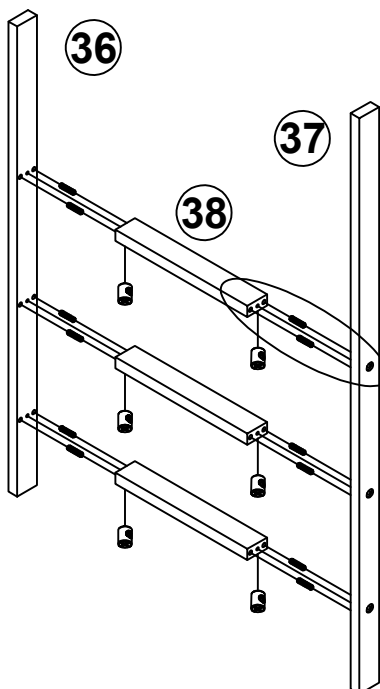


6PCS

A



12PCS



36

37

38

D

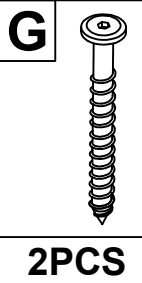
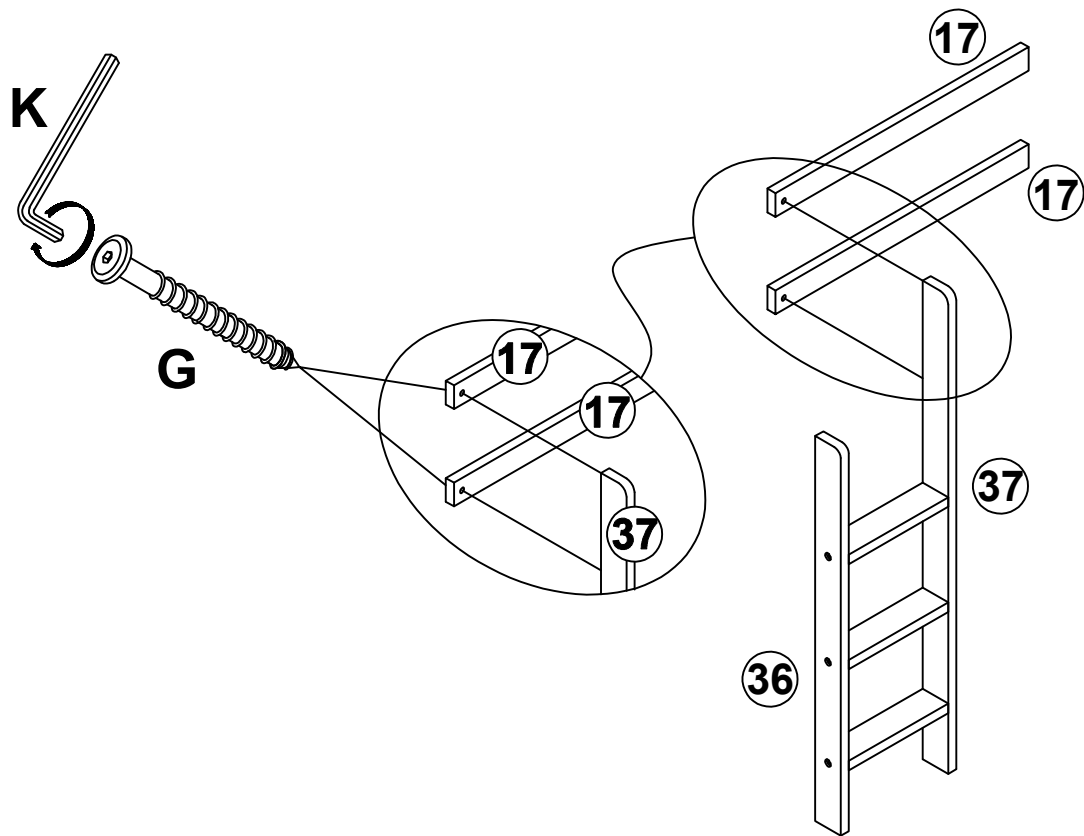
A

M

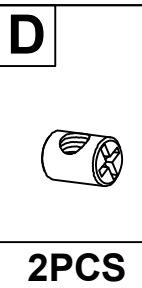
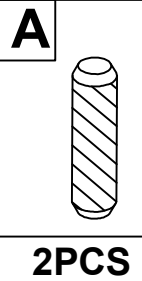
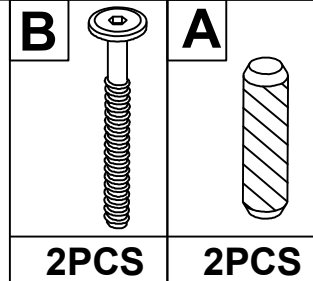
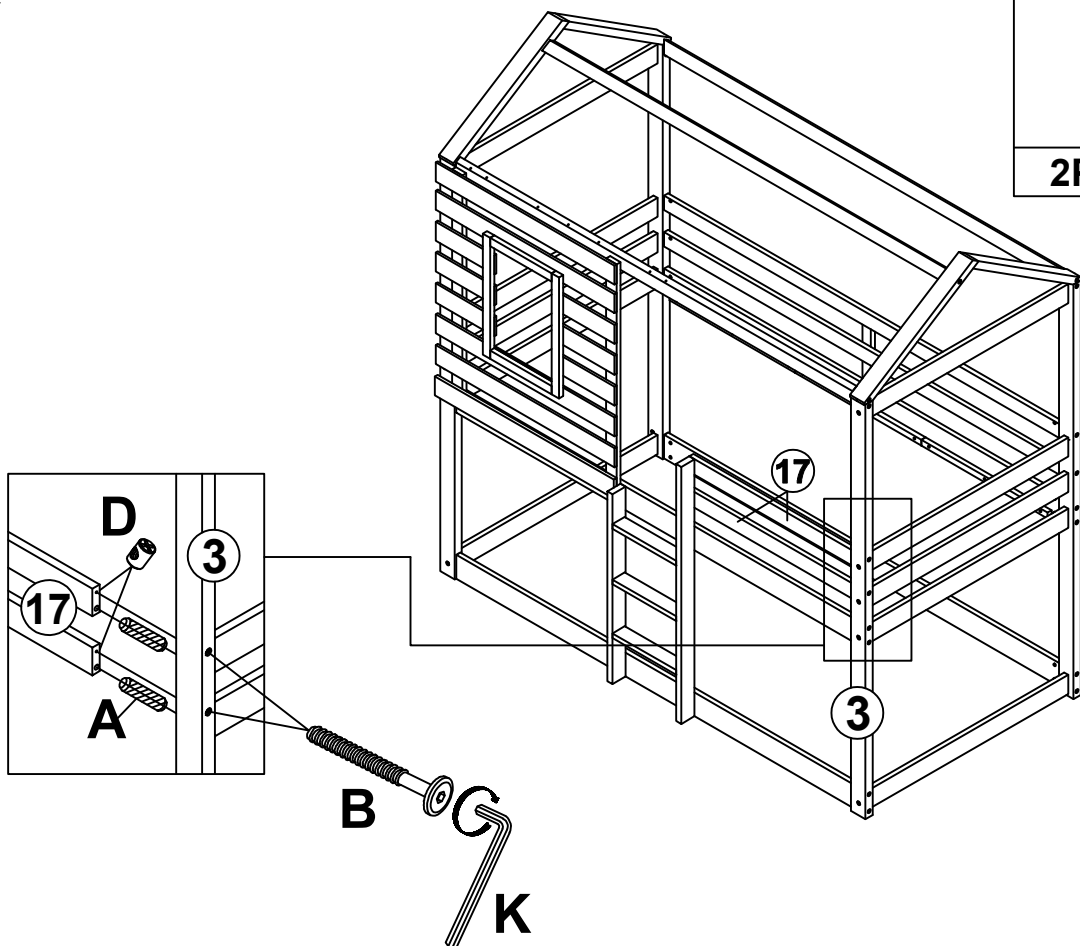
G

K

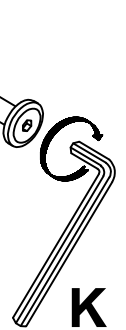
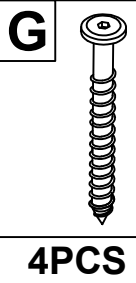
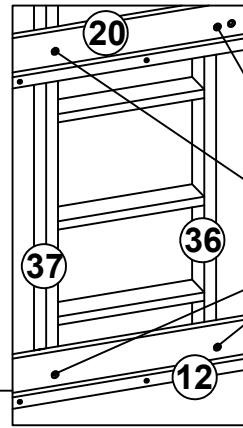
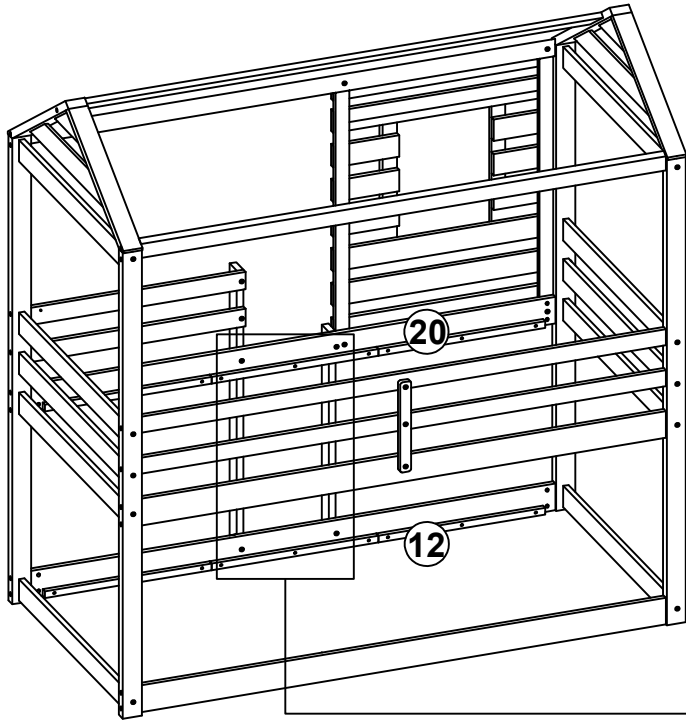
Step 15



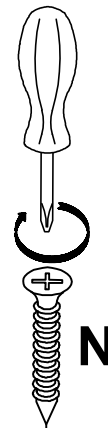
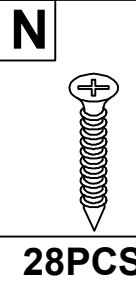
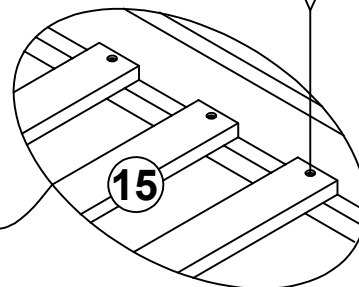
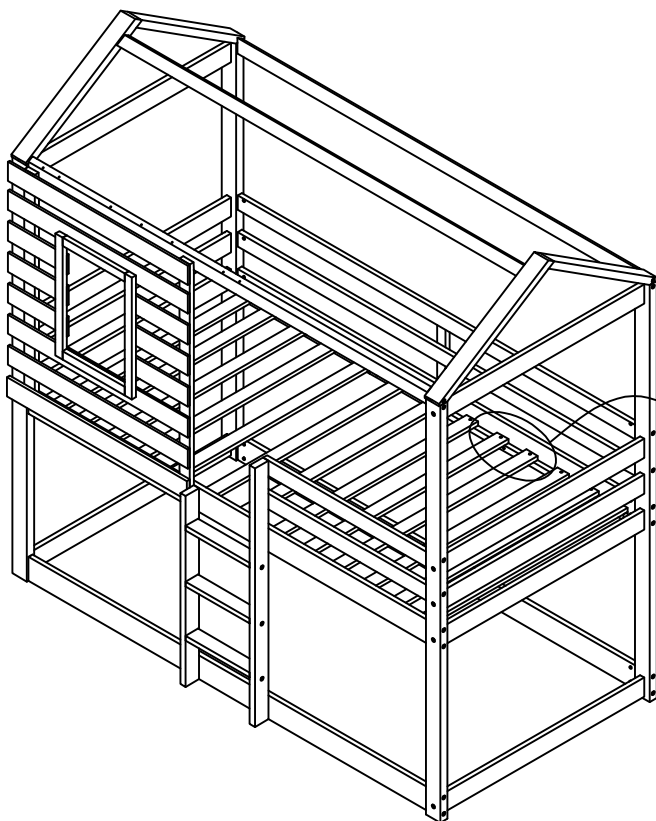
Step 16



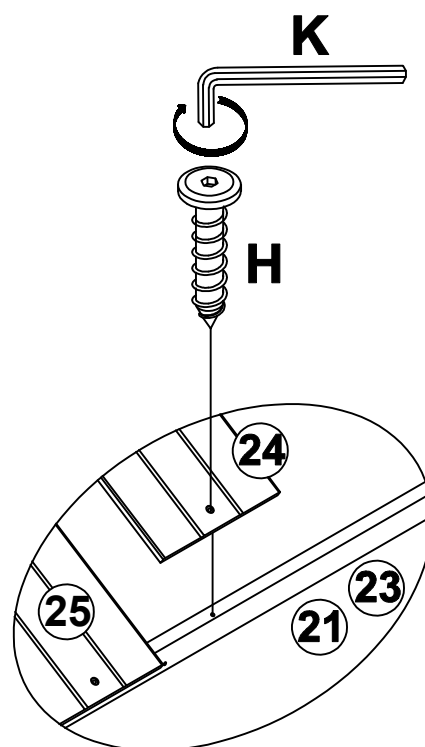
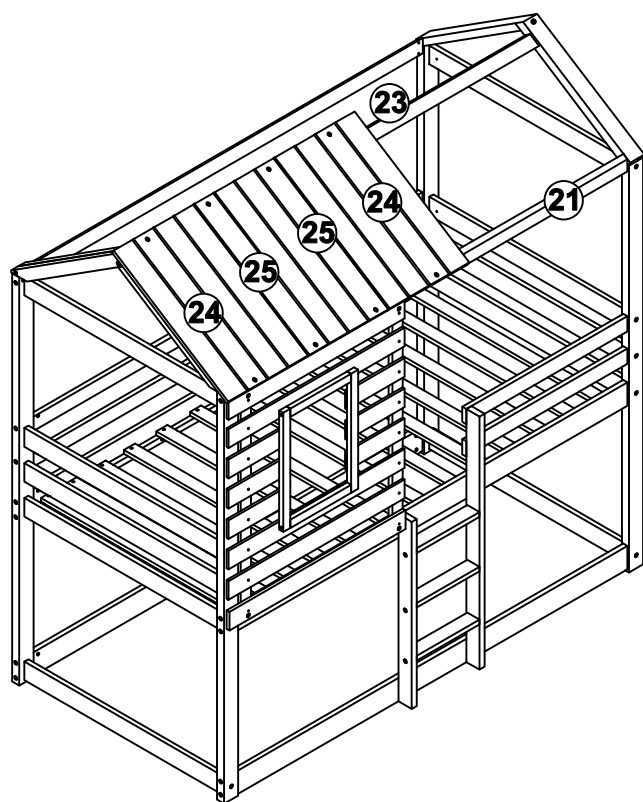
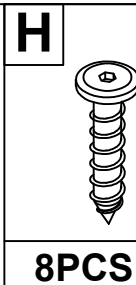
Step 17



Step 18

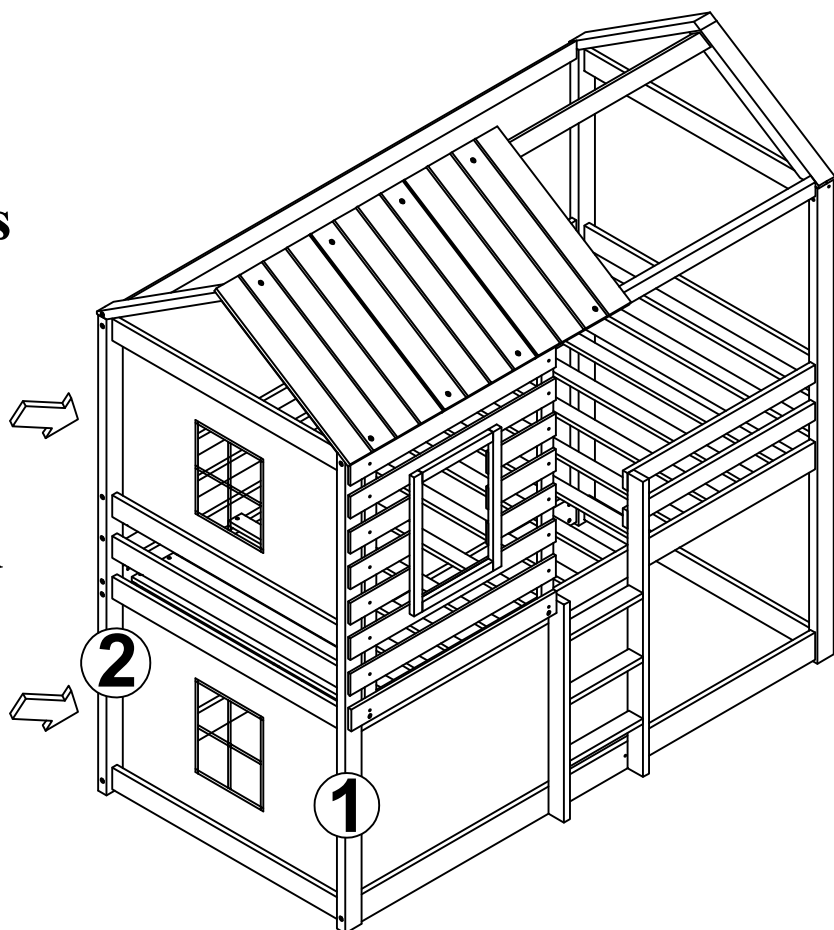


Step 19

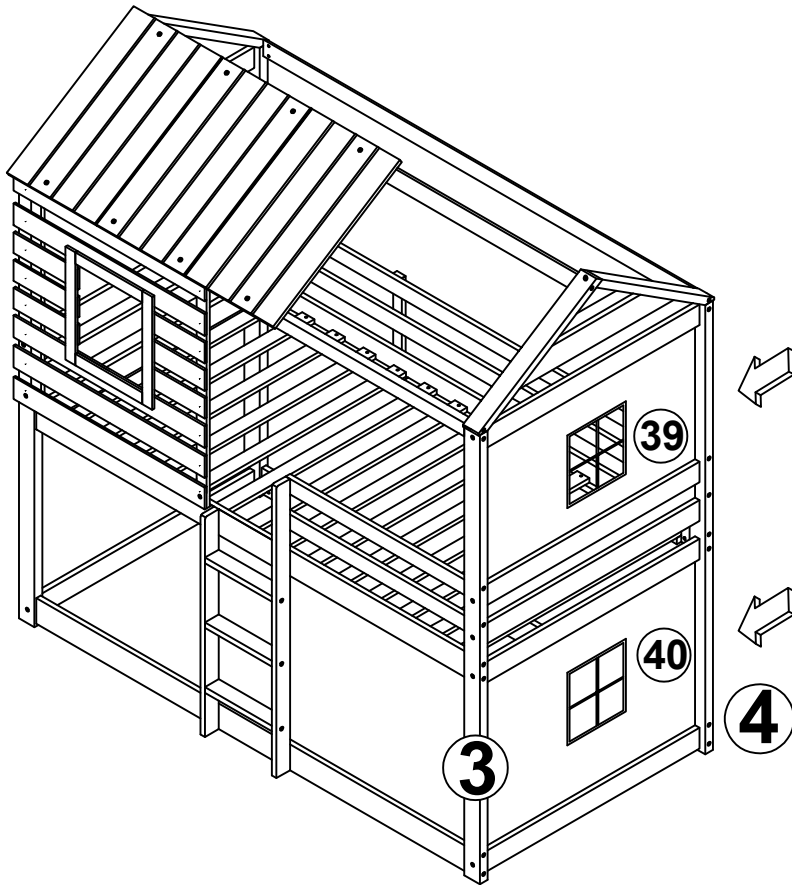


Step 20

Note: Use fabric details (39)-(40). Align both sides of the fabric evenly then secure them by tying them with detail pins (1) and (2).



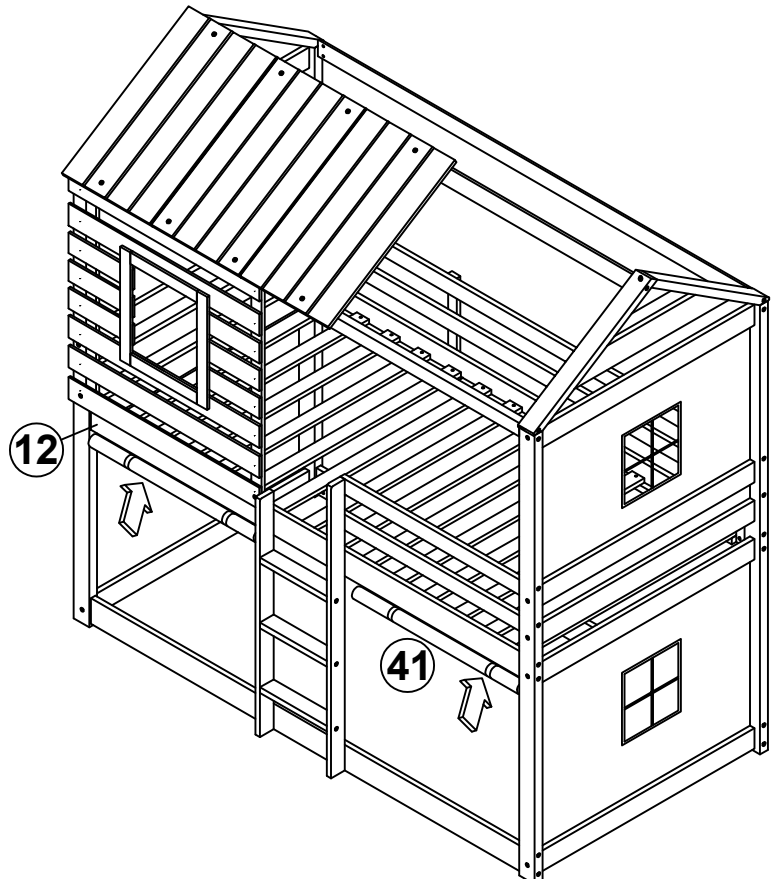
Step 21



Note: Use fabric details (39)-(40). Align both sides of the fabric evenly then secure them by tying them with detail pins (3) and (4).

Step 22

Note: Use fabric details (41). Align both sides of the fabric evenly then secure them by tying them with detail pins (12). The fabric can be rolled up or dropped depending on preference



COMPLETED

