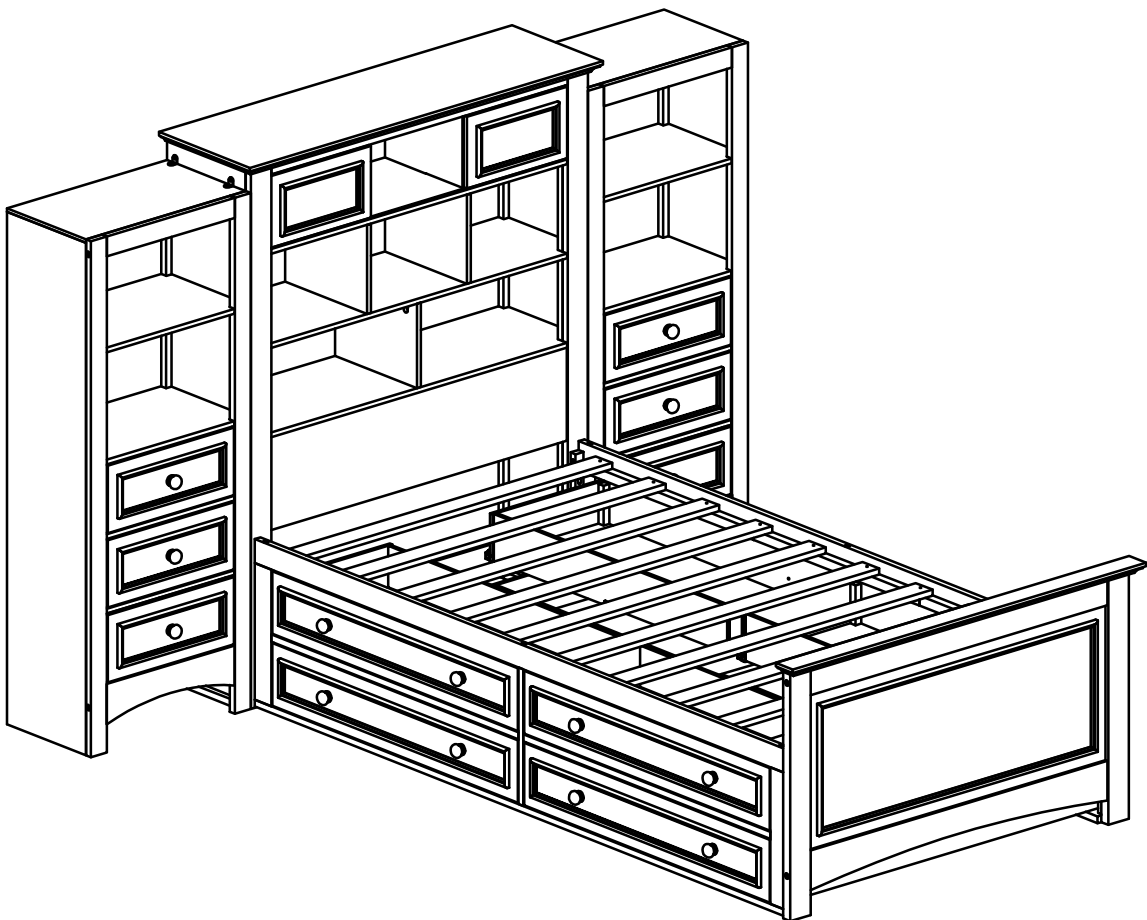


ASSEMBLY INSTRUCTION

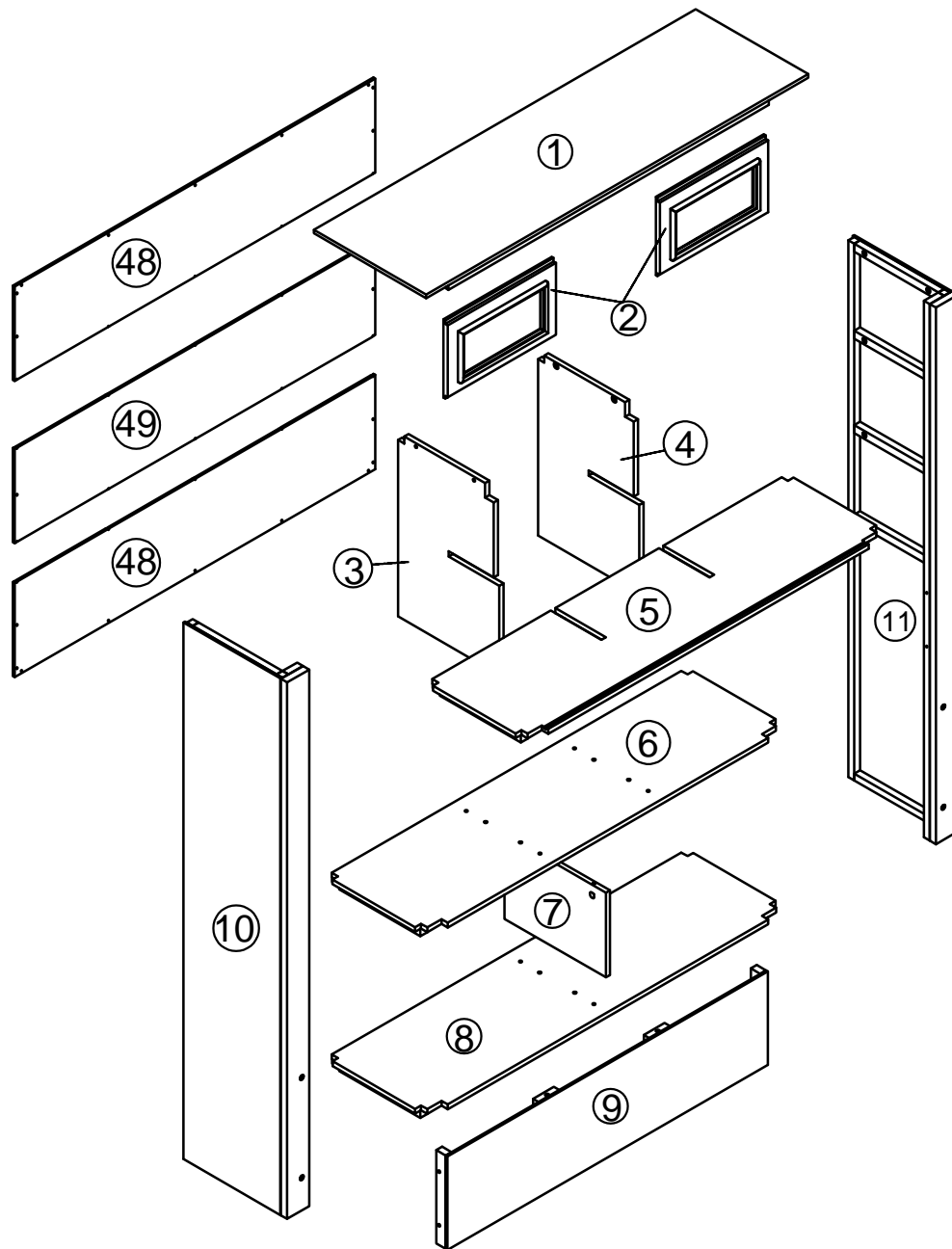
ITEM : WF313949 / 951 / 952 / 954

TWIN BED W/2 BEDSIDE



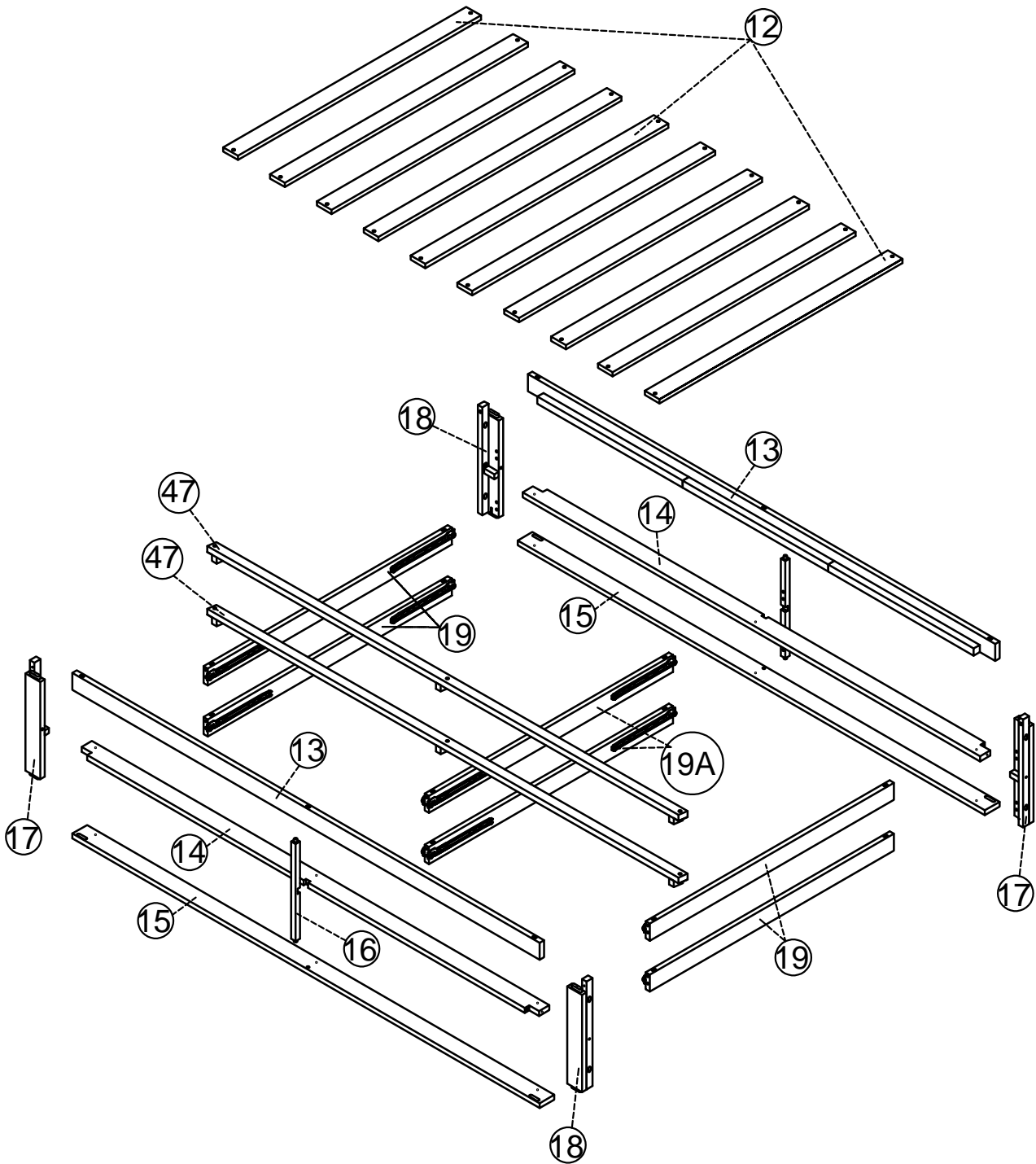
ASSEMBLY INSTRUCTION

ITEM : WF313949 / 951 / 952 / 954



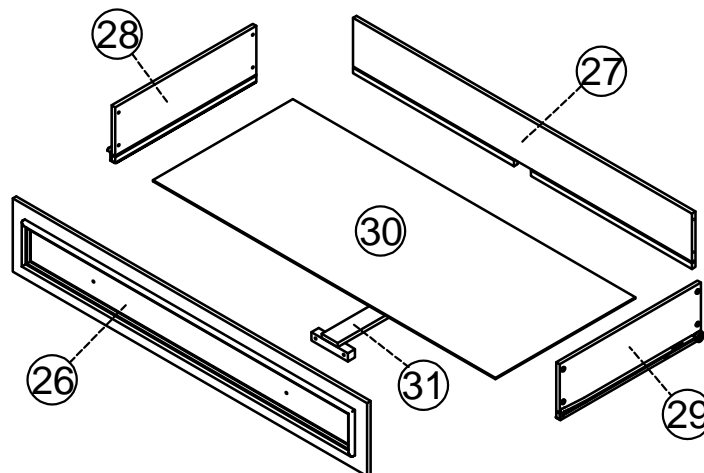
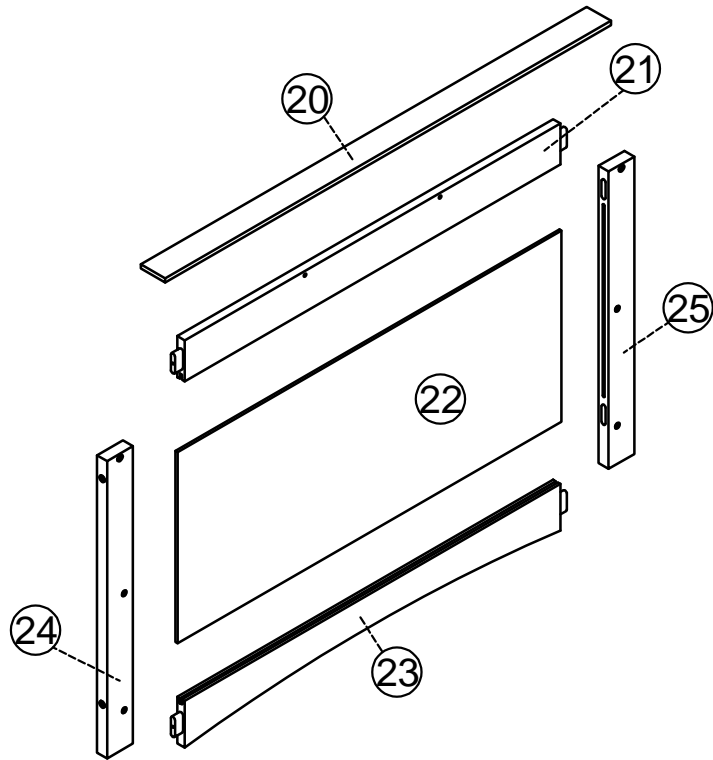
ASSEMBLY INSTRUCTION

ITEM : WF313949 / 951 / 952 / 954



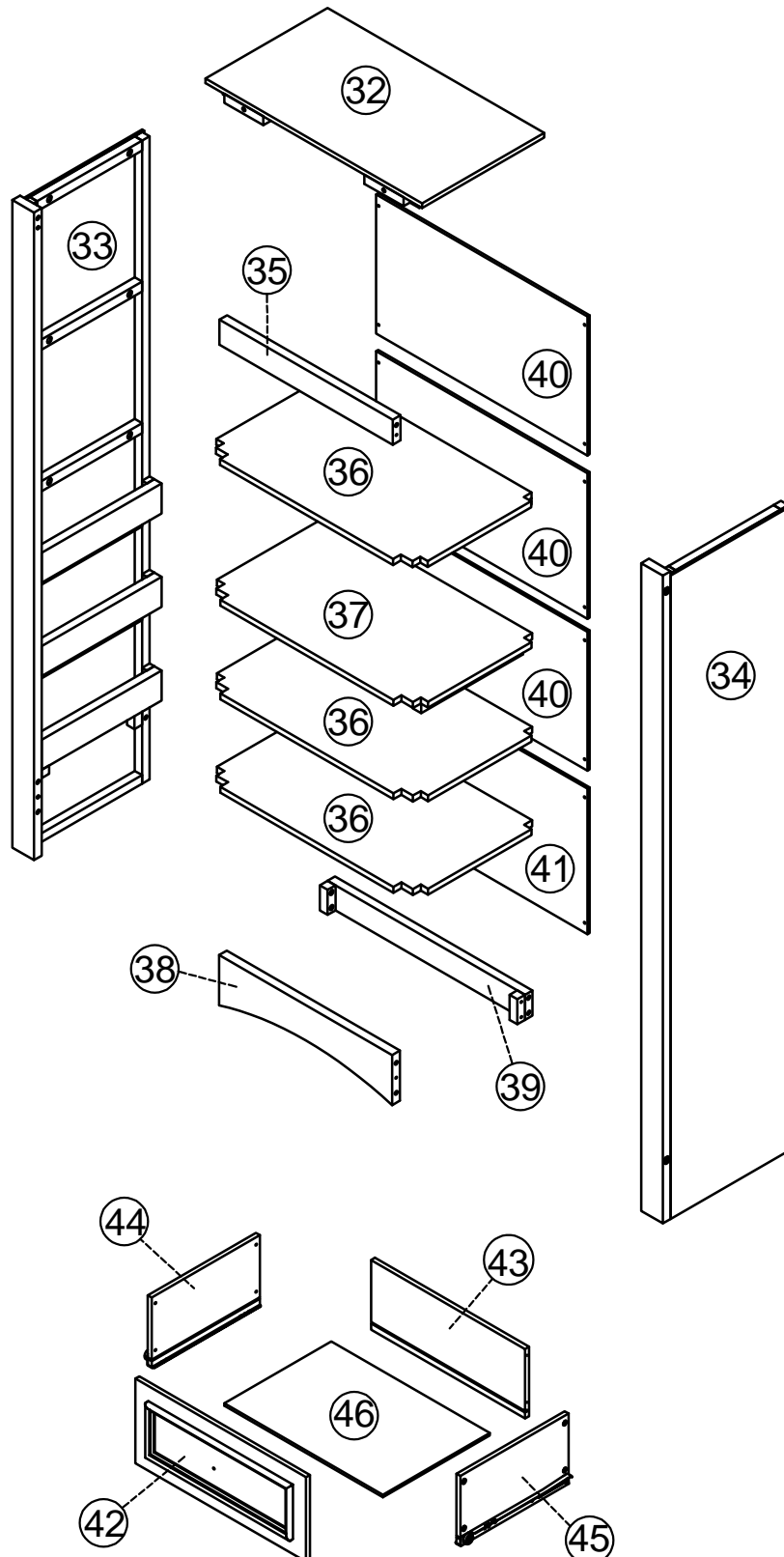
ASSEMBLY INSTRUCTION

ITEM : WF313949 / 951 / 952 / 954



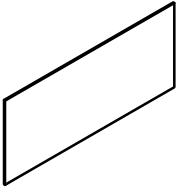
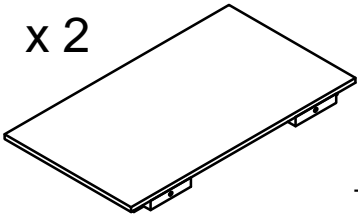


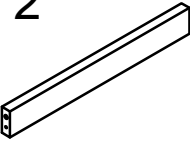
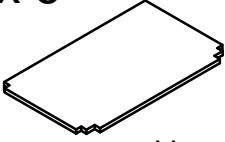
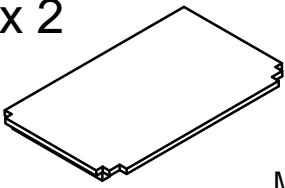
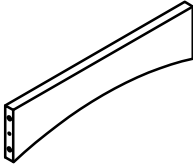
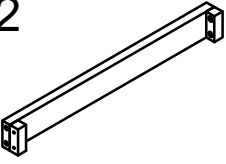
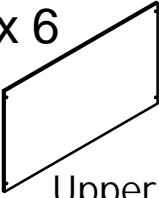
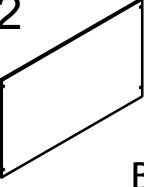
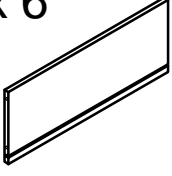
ASSEMBLY INSTRUCTION

ITEM : WF313949 / 951 / 952 / 954



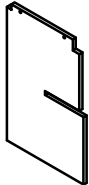
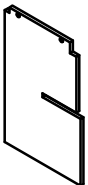


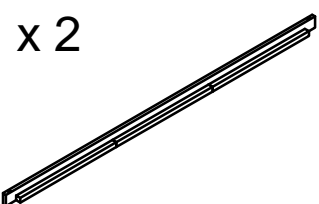
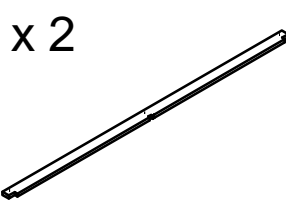
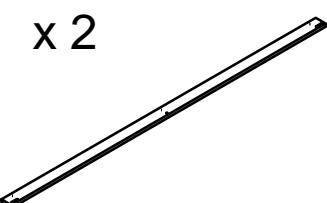
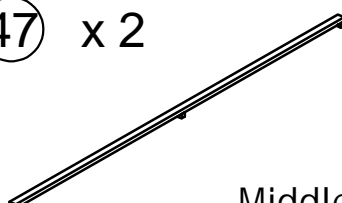

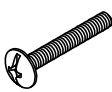
Part List & Hardware List

(Box 1 - WF313954)

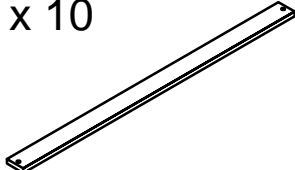



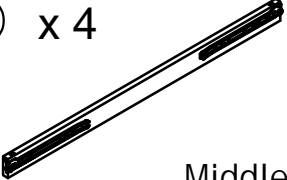
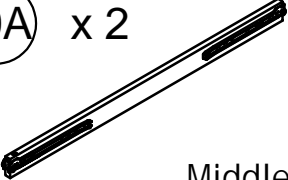
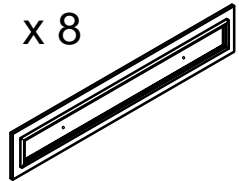
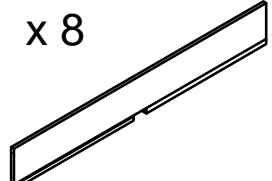
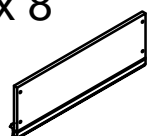
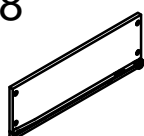
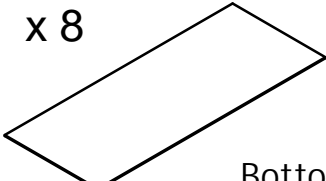
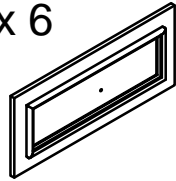
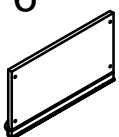
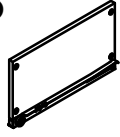
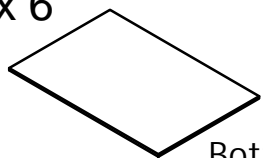
<p>②② x 1</p>  <p style="text-align: right;">Panel</p>	<p>③② x 2</p>  <p style="text-align: right;">Top panel</p>
<p>③③ x 2</p>  <p style="text-align: right;">Left side</p>	<p>③④ x 2</p>  <p style="text-align: right;">Right side</p>
<p>③⑤ x 2</p>  <p style="text-align: right;">Upper rail</p>	<p>③⑥ x 6</p>  <p style="text-align: right;">Upper-bottom shelf</p>
<p>③⑦ x 2</p>  <p style="text-align: right;">Middle shelf</p>	<p>③⑧ x 2</p>  <p style="text-align: right;">Bottom rail</p>
<p>③⑨ x 2</p>  <p style="text-align: right;">Bottom back rail</p>	<p>④① x 6</p>  <p style="text-align: right;">Upper-middle back panel</p>
<p>④① x 2</p>  <p style="text-align: right;">Bottom back panel</p>	<p>④③ x 6</p>  <p style="text-align: right;">Back drawer</p>

Part List & Hardware List

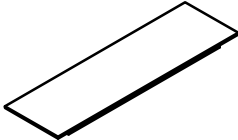
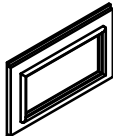
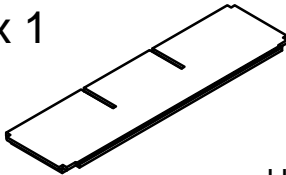
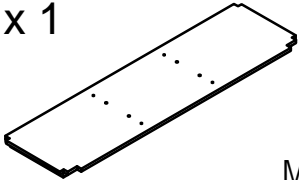
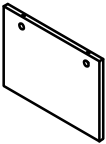
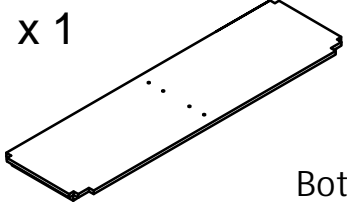
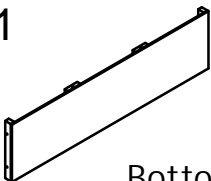
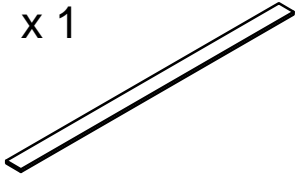
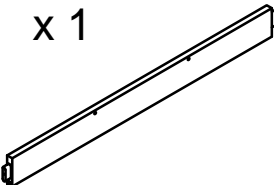
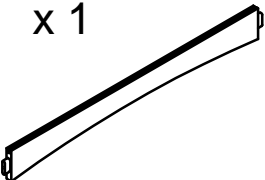


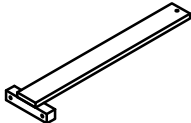
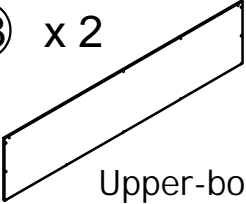
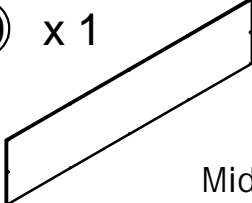
(Box 2 - WF313949)

<p>③ x 1</p>  <p>Partition left panel</p>	<p>④ x 1</p>  <p>Partition right panel</p>
<p>⑩ x 1</p>  <p>Left side</p>	<p>⑪ x 1</p>  <p>Right side</p>
<p>⑬ x 2</p>  <p>Side rail</p>	<p>⑭ x 2</p>  <p>Middle rail</p>
<p>⑮ x 2</p>  <p>Bottom rail</p>	<p>④⑦ x 2</p>  <p>Middle support rail</p>
<p>J</p>  <p>Handle 22pcs</p>	<p>K</p>  <p>M4 x 15 mm Bolt 22pcs</p>

Part List (Box 3 - WF313952)

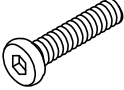
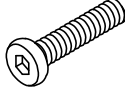
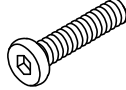
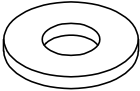
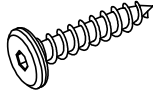
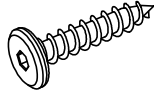
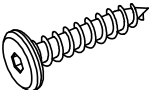


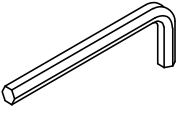
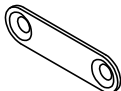

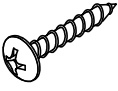
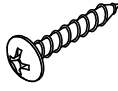


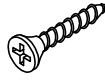
<p>⑫ x 10</p>  <p>Slats</p>	<p>⑯ x 2</p>  <p>Middle vertical rail</p>
<p>⑰ x 2</p>  <p>Left vertical rail</p>	<p>⑱ x 2</p>  <p>Right vertical rail</p>
<p>⑲ x 4</p>  <p>Middle support rail</p>	<p>⑲A x 2</p>  <p>Middle support rail</p>
<p>⑳ x 8</p>  <p>Front drawer</p>	<p>㉑ x 8</p>  <p>Back drawer</p>
<p>㉒ x 8</p>  <p>Left side drawer</p>	<p>㉓ x 8</p>  <p>Right side drawer</p>
<p>⑳ x 8</p>  <p>Bottom drawer</p>	<p>㉔ x 6</p>  <p>Front drawer</p>
<p>㉕ x 6</p>  <p>Left side drawer</p>	<p>㉖ x 6</p>  <p>Right side drawer</p>
<p>㉗ x 6</p>  <p>Bottom drawer</p>	

Part List (Box 4 - WF313951)

<p>① x 1</p>  <p style="text-align: center;">Top panel</p>	<p>② x 2</p>  <p style="text-align: center;">Sliding door</p>
<p>⑤ x 1</p>  <p style="text-align: center;">Upper shelf</p>	<p>⑥ x 1</p>  <p style="text-align: center;">Middle shelf</p>
<p>⑦ x 1</p>  <p style="text-align: center;">Partition bottom panel</p>	<p>⑧ x 1</p>  <p style="text-align: center;">Bottom shelf</p>
<p>⑨ x 1</p>  <p style="text-align: center;">Bottom front panel</p>	<p>⑳ x 1</p>  <p style="text-align: center;">Top rail</p>
<p>㉑ x 1</p>  <p style="text-align: center;">Upper rail</p>	<p>㉓ x 1</p>  <p style="text-align: center;">Bottom rail</p>
<p>㉔ x 1</p>  <p style="text-align: center;">Left leg</p>	<p>㉕ x 1</p>  <p style="text-align: center;">Right leg</p>
<p>㉓① x 8</p>  <p style="text-align: center;">Bottom support drawer</p>	<p>④⑧ x 2</p>  <p style="text-align: center;">Upper-bottom back panel</p>
<p>④⑨ x 1</p>  <p style="text-align: center;">Middle back panel</p>	

Part List & Hardware List

(Box 1 - WF313954)



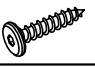


A  M6 x 30 mm Allen key bolt 2pcs	B  M6 x 35 mm Allen key bolt 36pcs	C  M6 x 45 mm Allen key bolt 4pcs
D  Ø16/Ø6-1mm Washer 42pcs	E  M6 x 30 mm Allen key screw 28pcs	F  M6 x 40 mm Allen key screw 4pcs
G  M6 x 70 mm Allen key screw 30pcs	H  Cam lock pin Cam lock 2pcs	I  Ø8 x 30 mm Wood dowel 54pcs
L  Allen key 2pcs	M  Bracket 4pcs	N  Steel bracket 4pcs
O  M4x15mm Screw round head 62pcs	Q  M4x20mm Screw round head 16pcs	R  M4x25mm Wood Screw 120pcs
S  M4x30mm Wood Screw 52pcs	T  M4x35mm Wood Screw 4pcs	

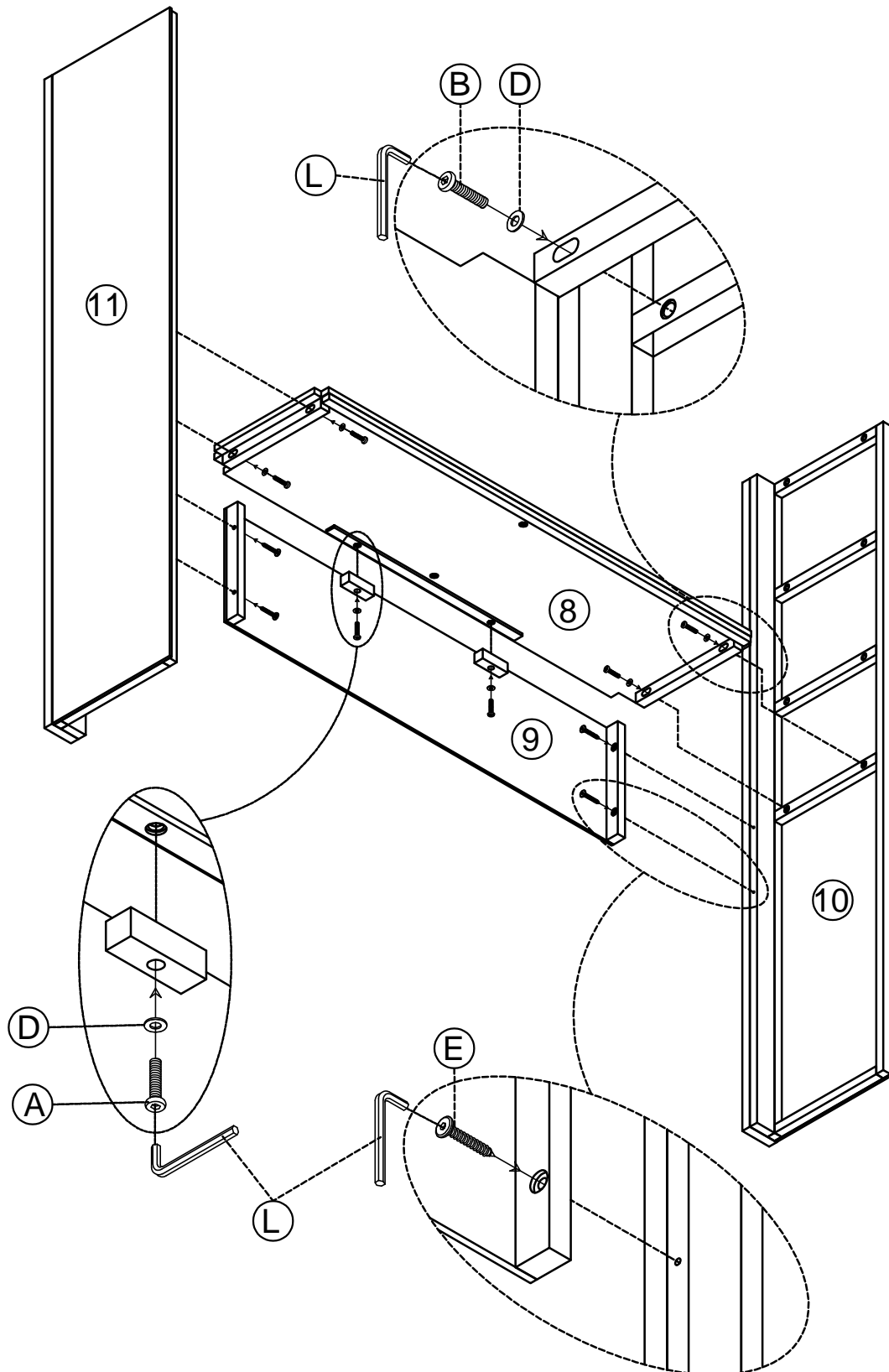
ASSEMBLY TOOLS REQUIRED (NOT INCLUDED)



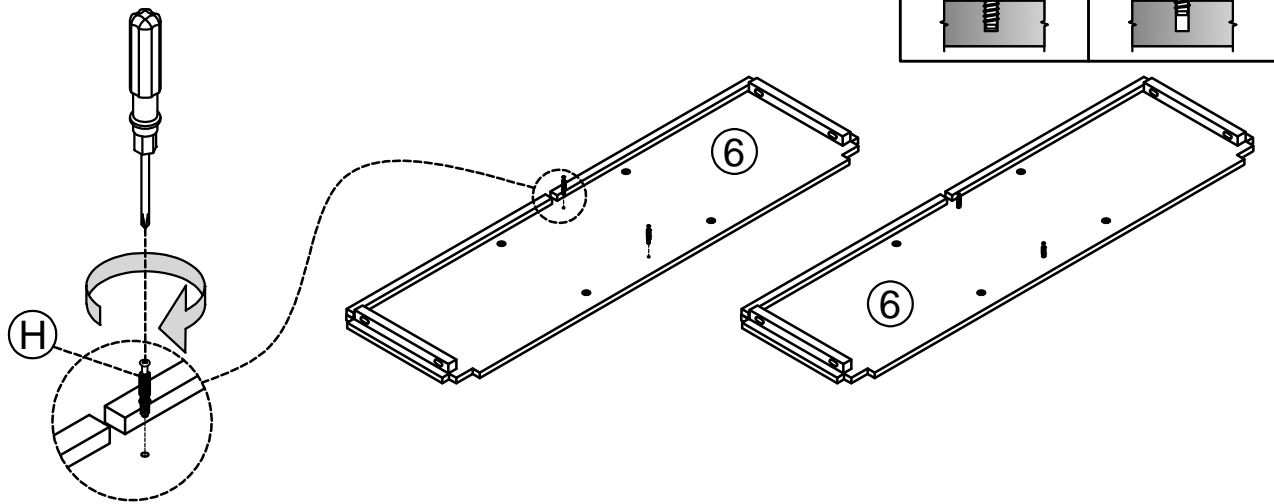
STEP: 1 Following below innustration

- Using hardware #A,#D connect 9 with 8
- Using hardware #B,#D connect 8 with 10,11
- Using hardware #F connect 9 with 10,11

D		6	A		2
E		4	B		4
			L		1



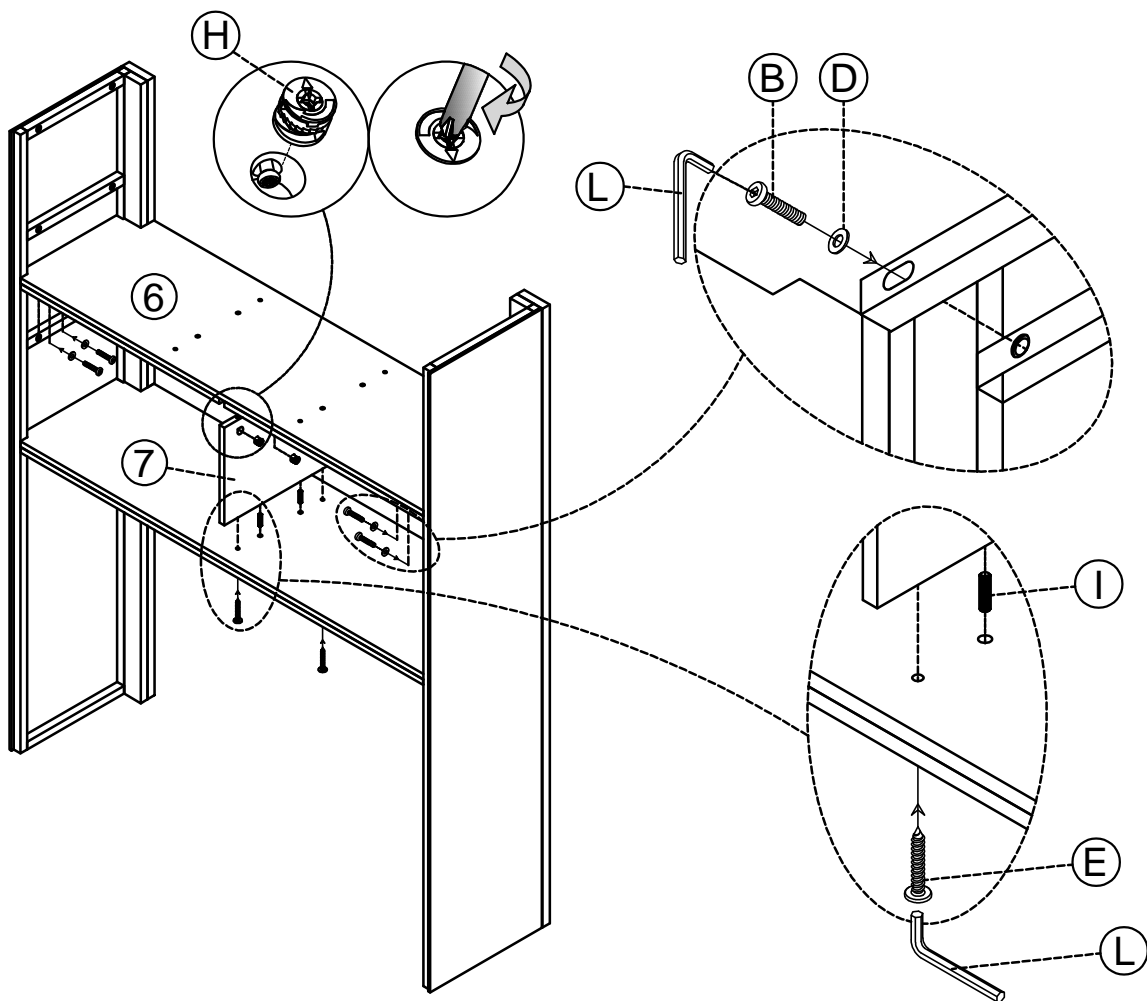
STEP: 2 Following below innustration



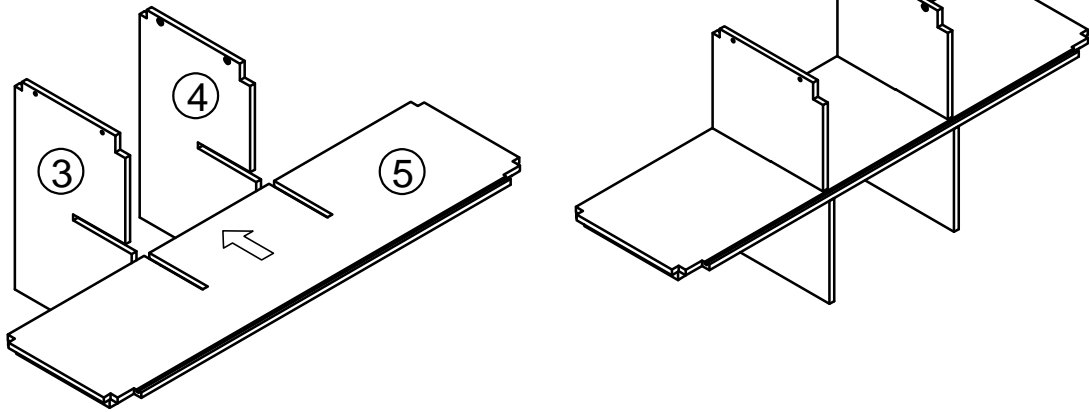
STEP: 3 Following below innustration

- Using hardware #E,#I connect Frame(Completed on step:1) with 7.
- Using hardware #H connect Frame(Completed on step:2) with 6.
- Using hardware #B,#D connect Frame(Completed on step:1) with 6.

B		4	E		2
D		4	I		2
L					1



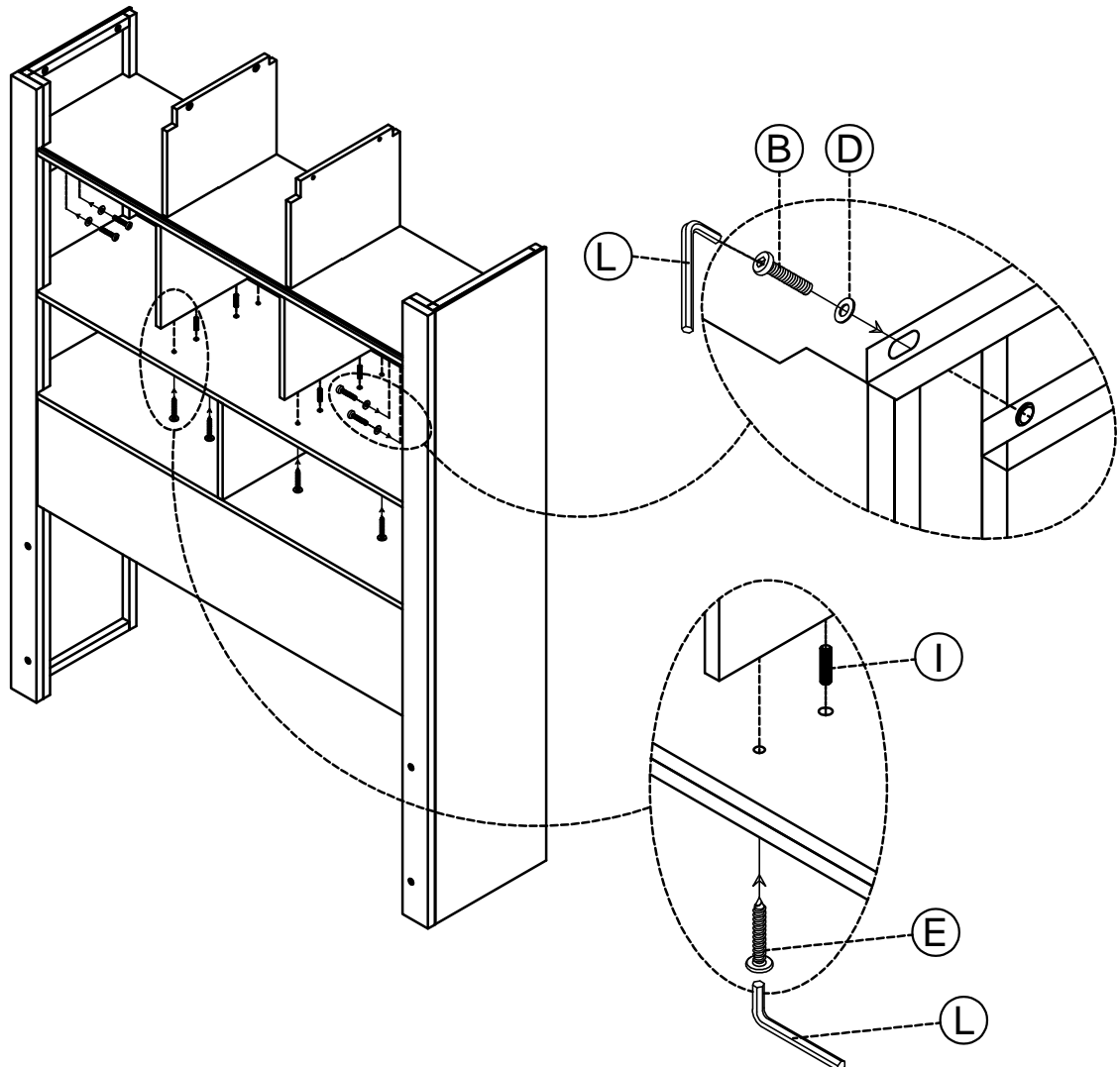
STEP: 4 Following below innustration



STEP: 5 Following below innustration

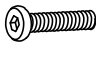




- Using hardware #E,#I connect Frame(Completed on step:3) with Frame(Completed on step:4)
- Using hardware #B,#D connect Frame(Completed on step:4) with Frame(Completed on step:1)

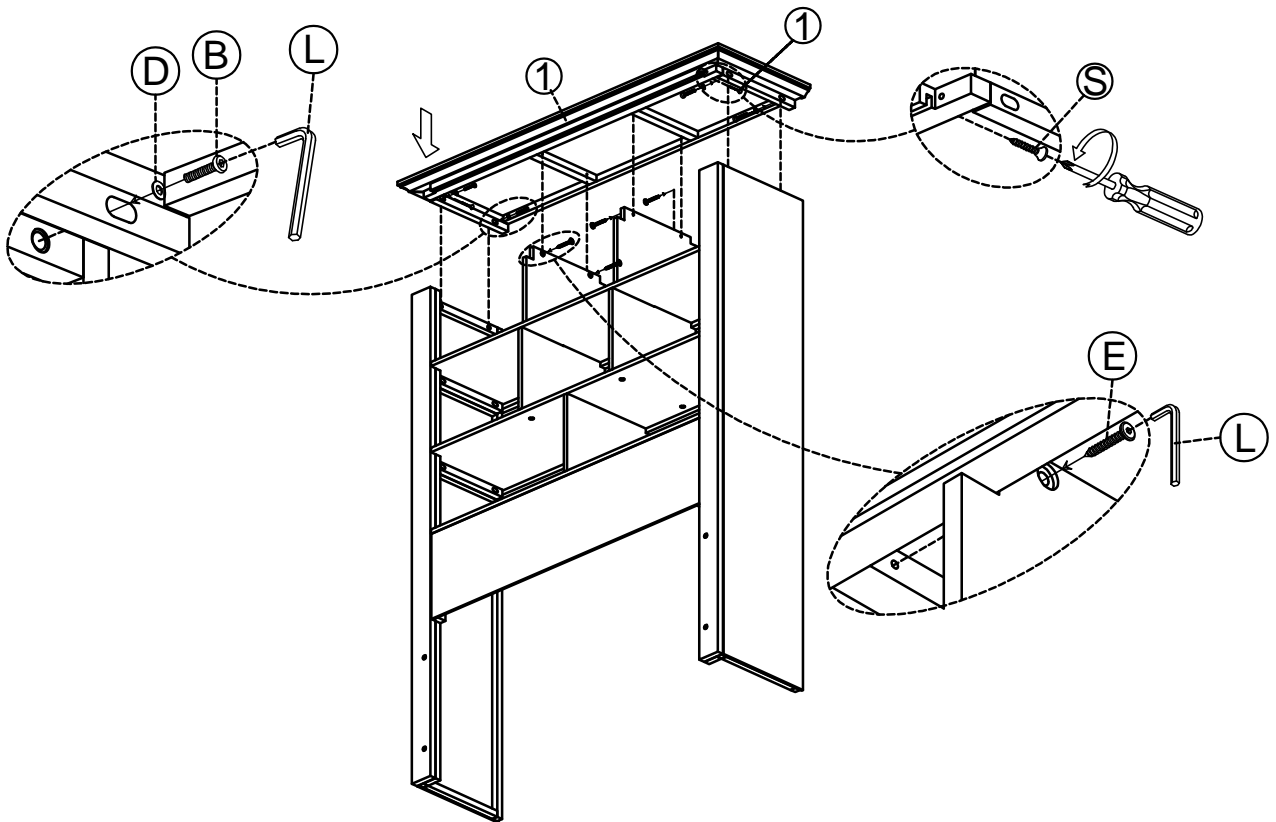
B		4	E		4
D		4	I		4
			L		1



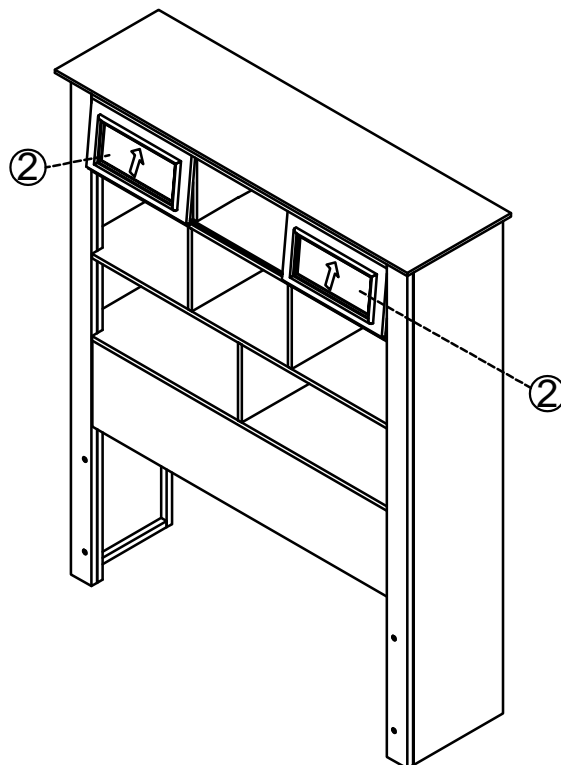
STEP: 6 Following below innustration

-Using hardware #B,#D,#E,#S connect Frame(Completed on step:5) with 1 Top panel



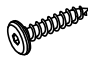
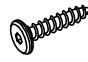
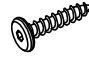

B		4	E		4
D		4	L		1
			S		2



STEP: 7 Following below innustration

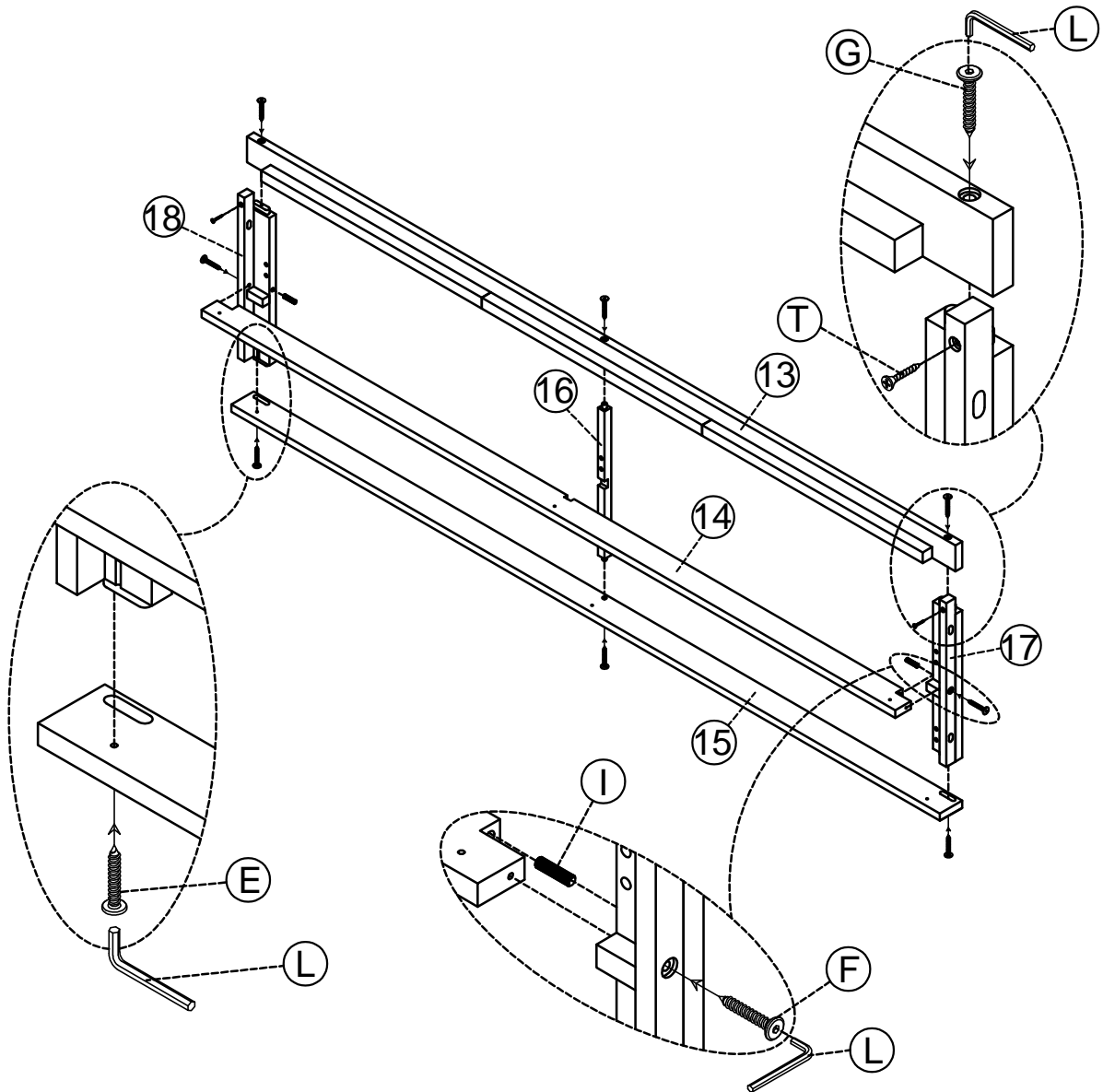


STEP: 9


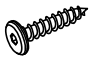


I		4	T		4	G		6
E		6	F		4	L		1

Following below innustration

- Using hardware #F,#I connect middle rail (14) , left vertical rail (17), left vertical rail (18)
- Using hardware #G,#T,#L connect Side rail (13) , left vertical rail (17), left vertical rail (18) middle vertical rail (16)
- Using hardware #E,#L connect bottom rail (15) , left vertical rail (17), left vertical rail (18) middle vertical rail (16)



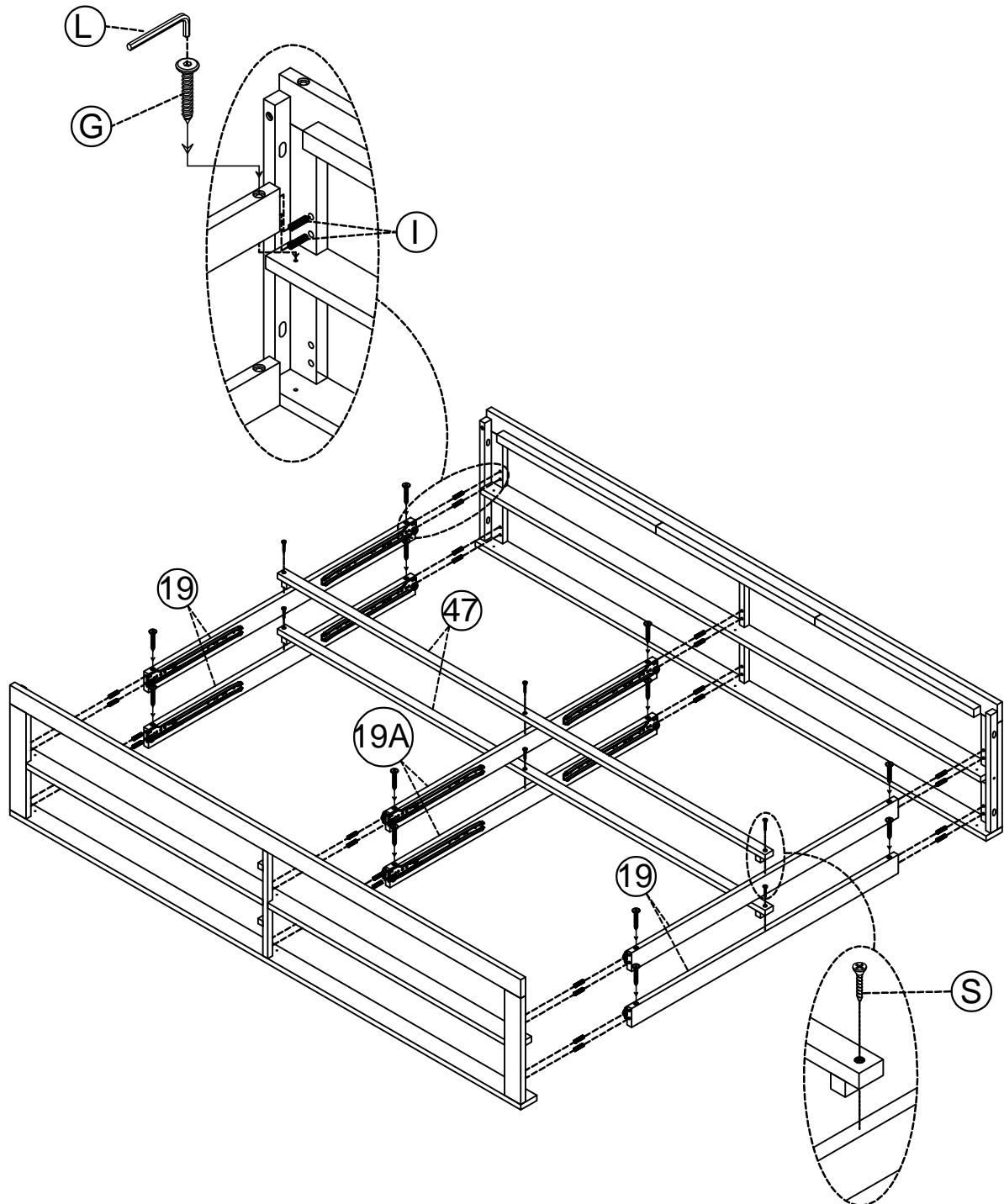
STEP: 10

I		24	G		12
S		6	L		1


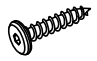

Following below innustration

-Using hardware #G,#I,#L connect middle support rail (19), (19A)
with Frame(Completed on step:9)

-Using hardware #S, connect middle support rail (47), middle support rail (19), (19A)

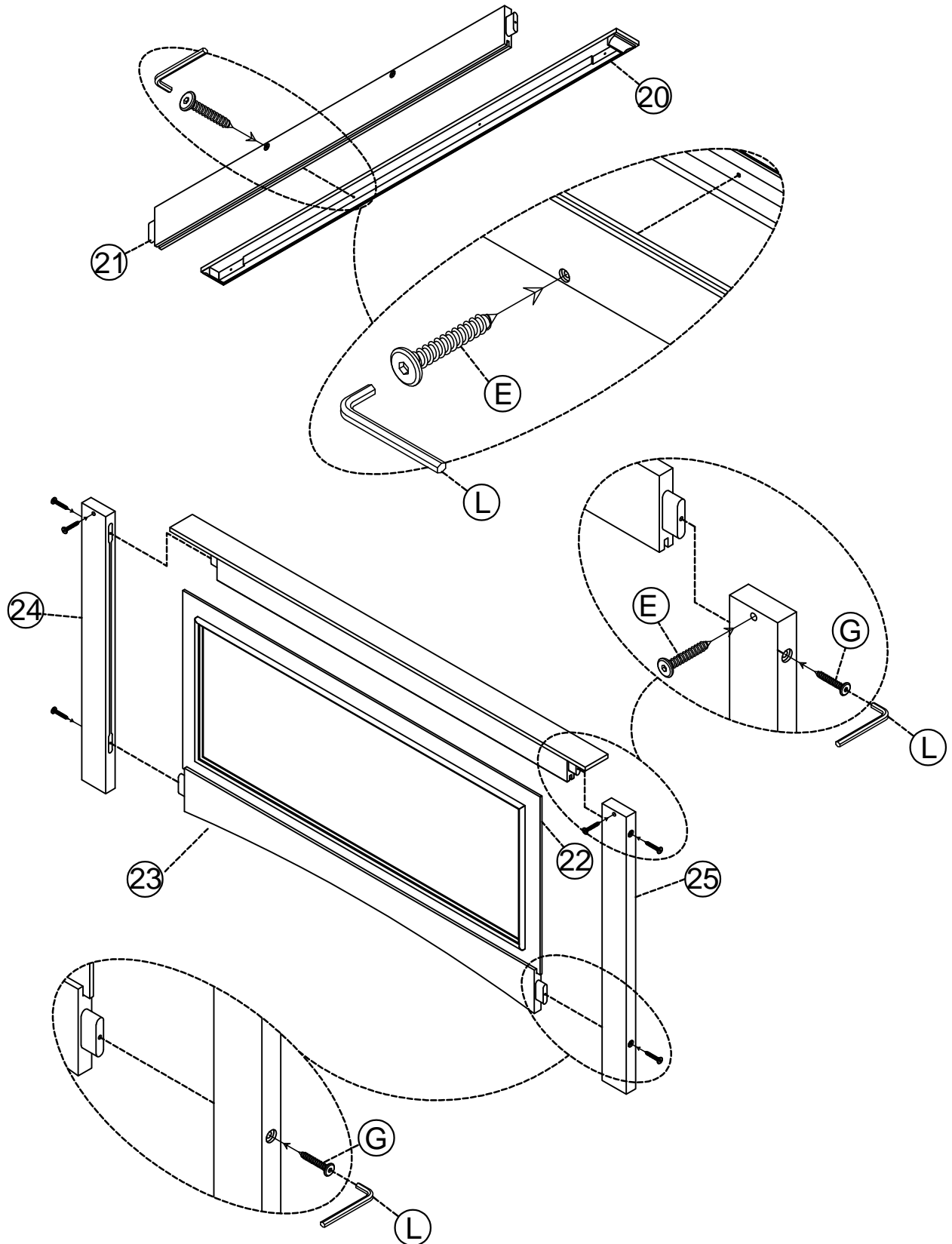


STEP: 11

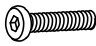



G		4	E		4
			L		1

Following below innustration

- Using hardware #E,#L connect Top rail ⑳, upper rail ㉑
- Using hardware #G,#L connect Panel ㉒, Left leg ㉔, Right leg ㉕ bottom rail ㉓

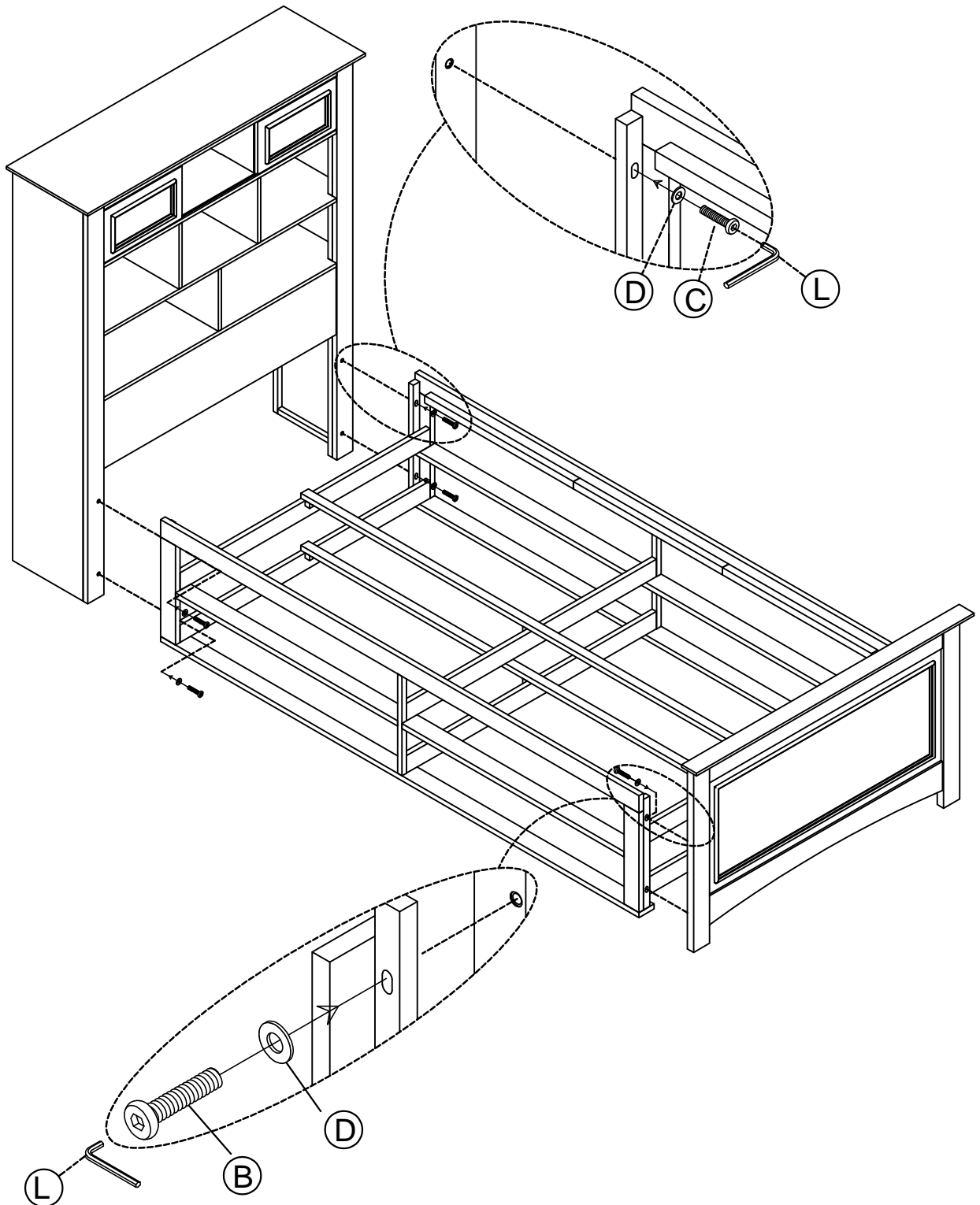


STEP: 12





B		4	C		4
D		8	L		1

Following below innustration

- Using hardware #C,#D,#L connect with Frame(Completed on step:8)
- Using hardware #D,#B,#L connect with Frame(Completed on step:11)

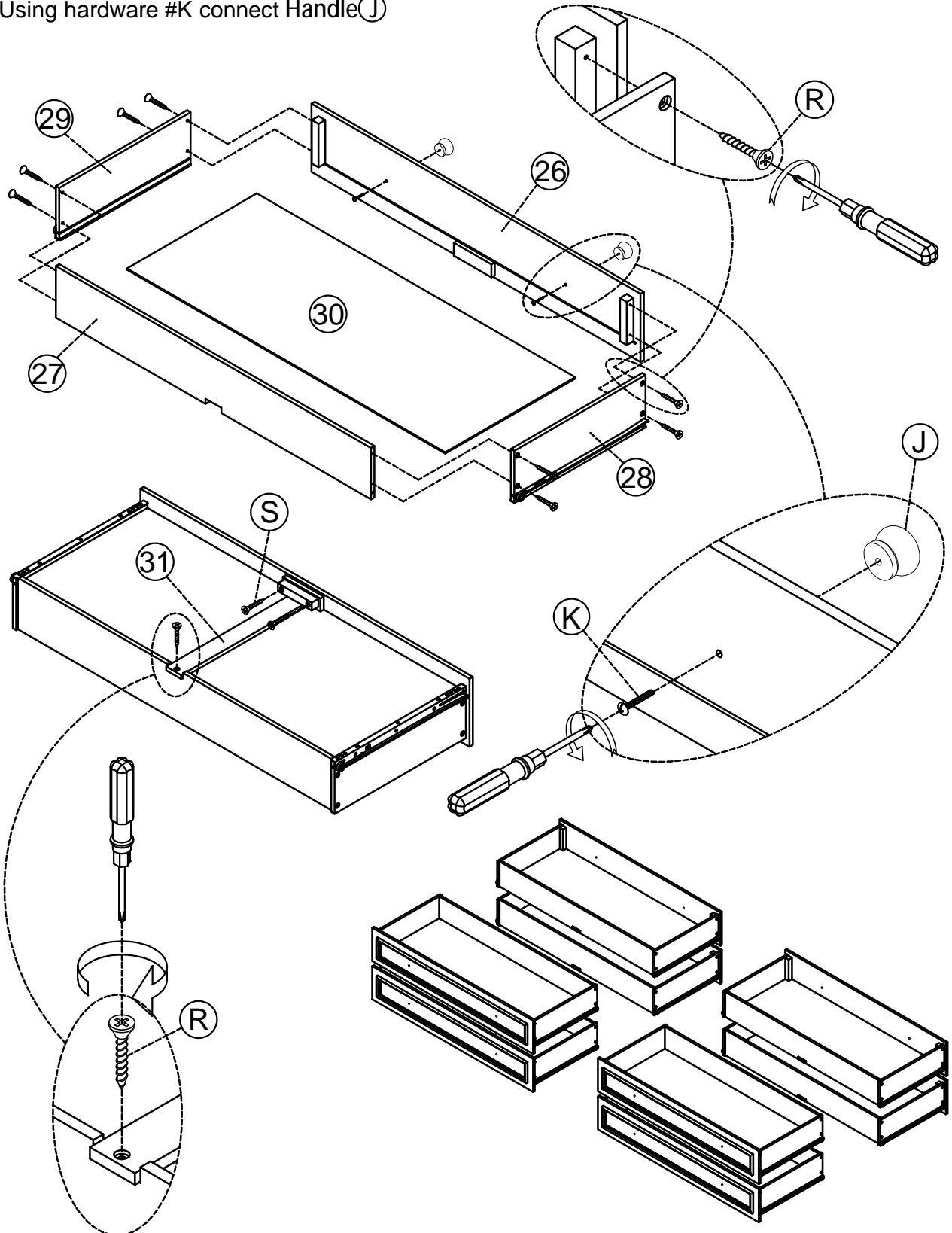


STEP: 13

J		16	R		72
K		16	S		16

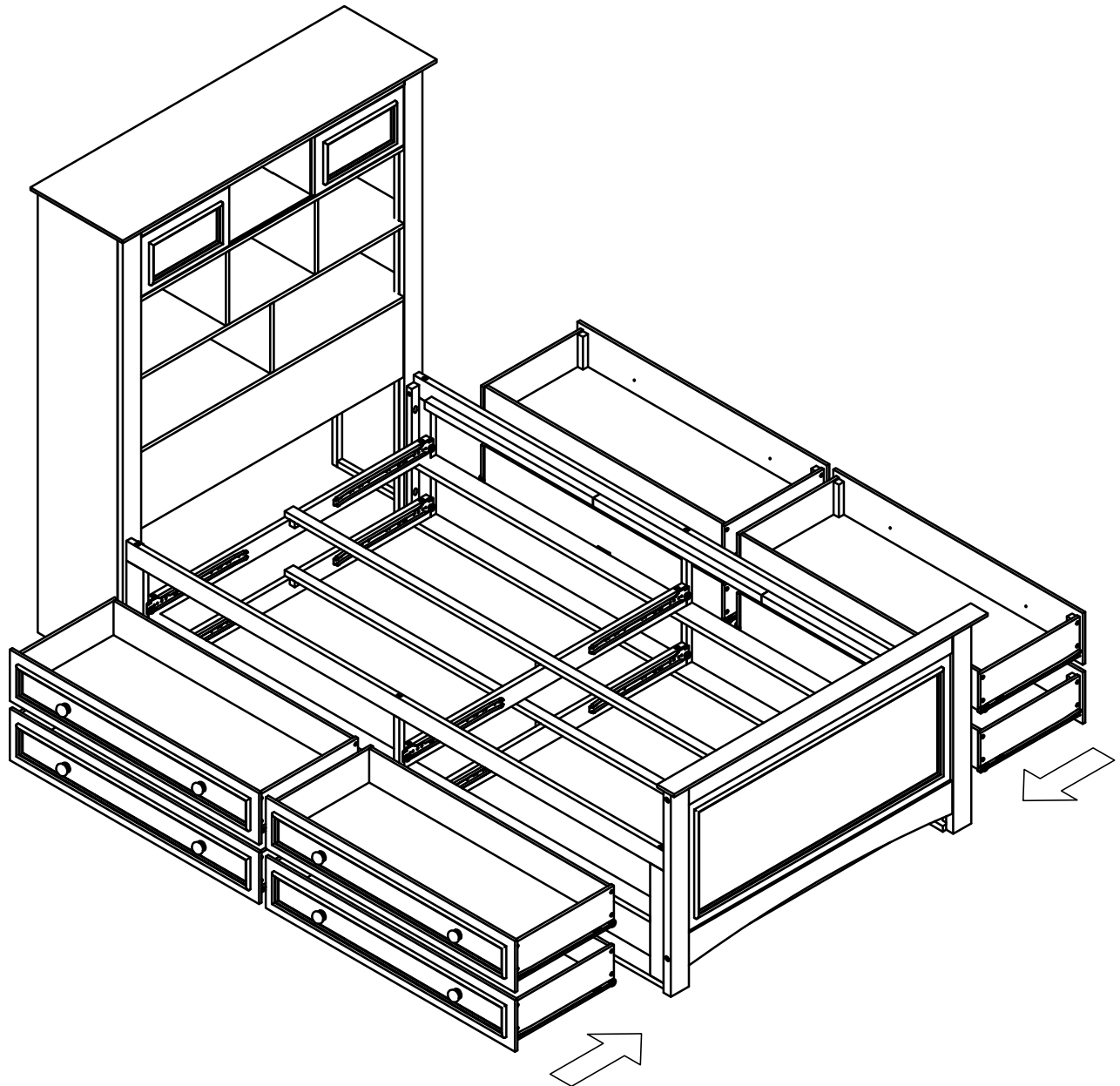
Following below innustration

- Using hardware #R connect Front drawer ②⑥
Back drawer ②⑦, Left side drawer ②⑧
Right side drawer ②⑨, Bottom drawer ③①
- Using hardware #S connect Bottom support drawer ③①
- Using hardware #K connect Handle ①



STEP: 14

Following below innustration



STEP: 15

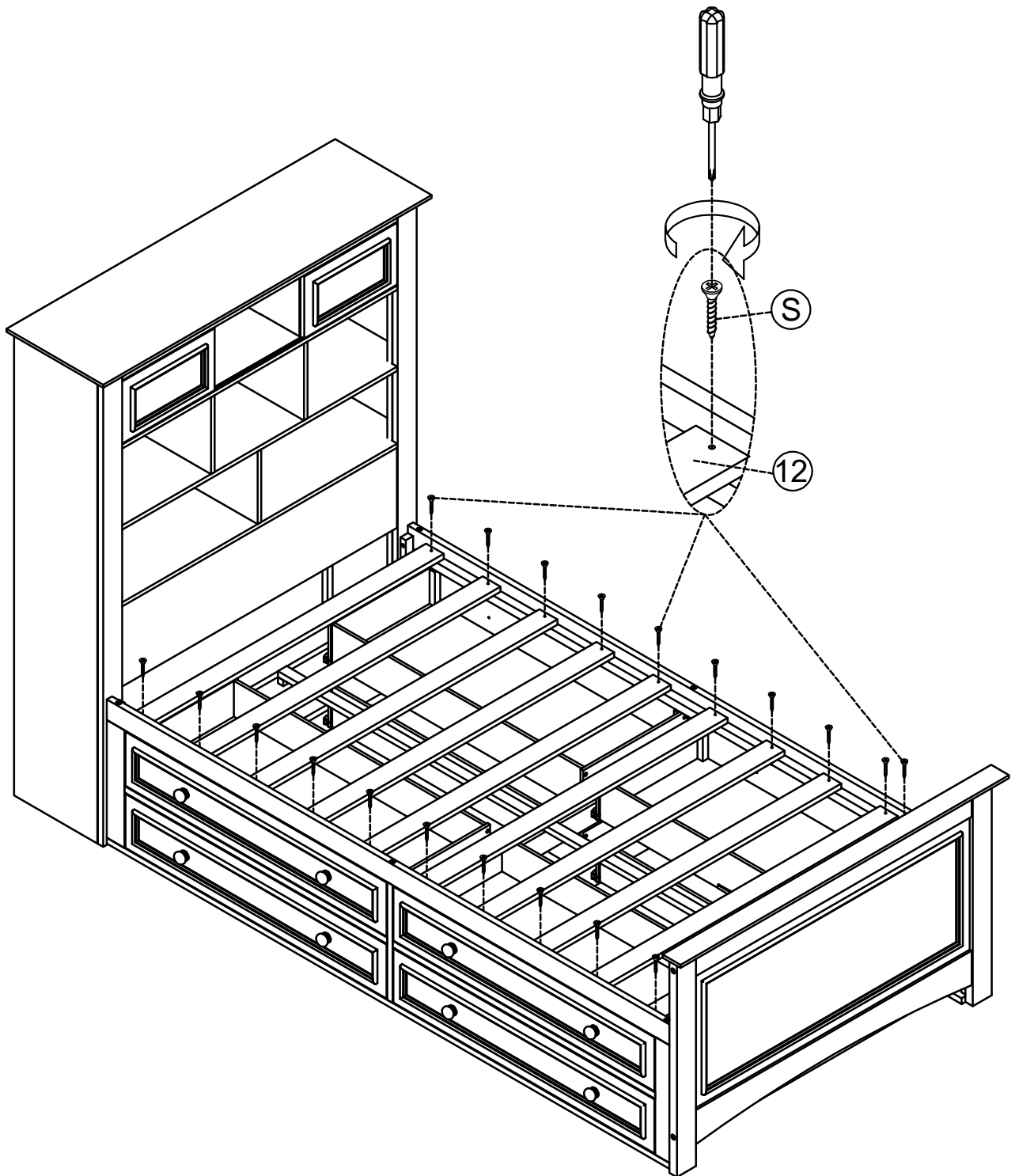
S



20

Following below innustration

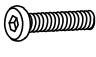




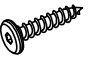

-Using hardware #S connect Slats ⑫

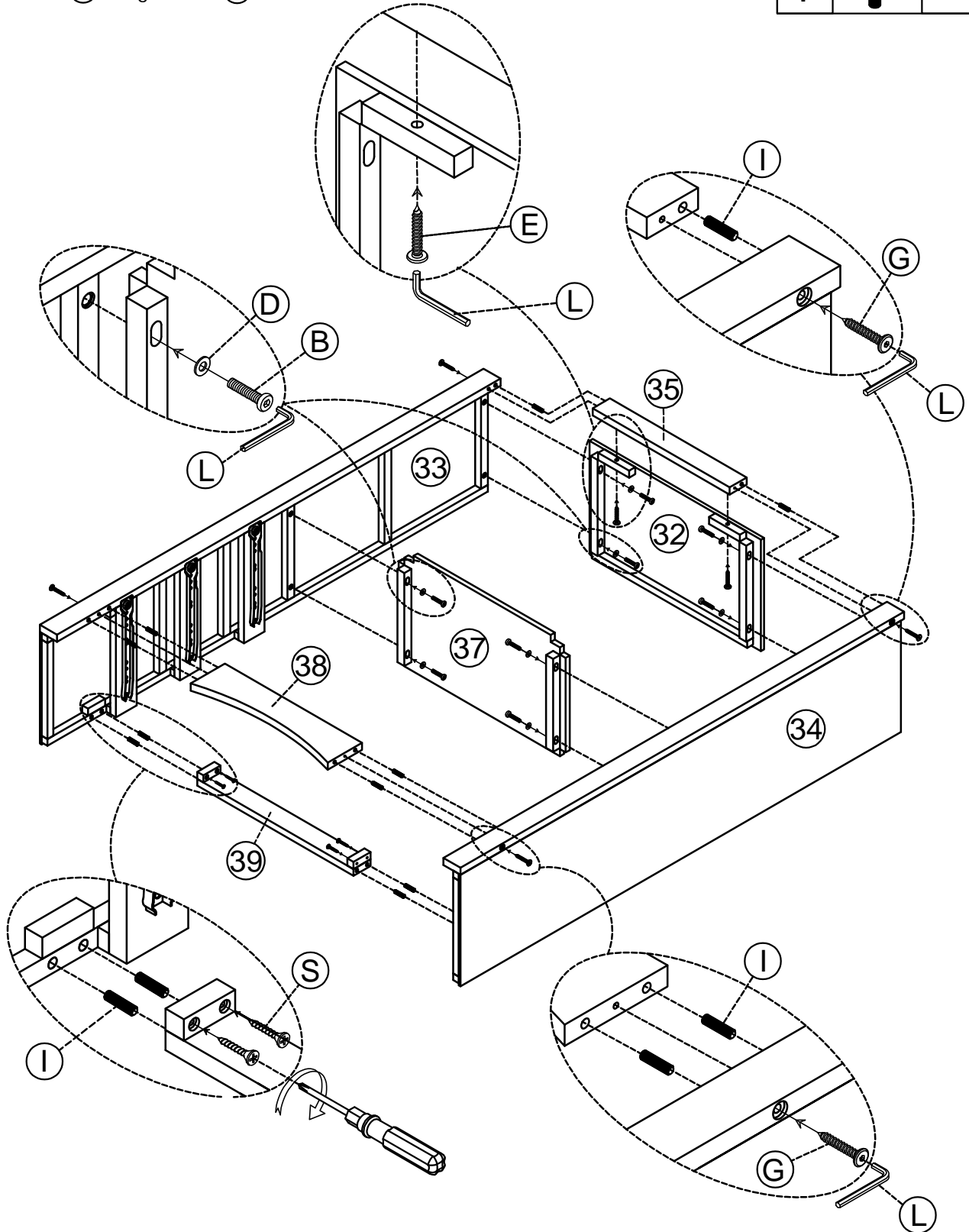


STEP: 16

Following below innustration

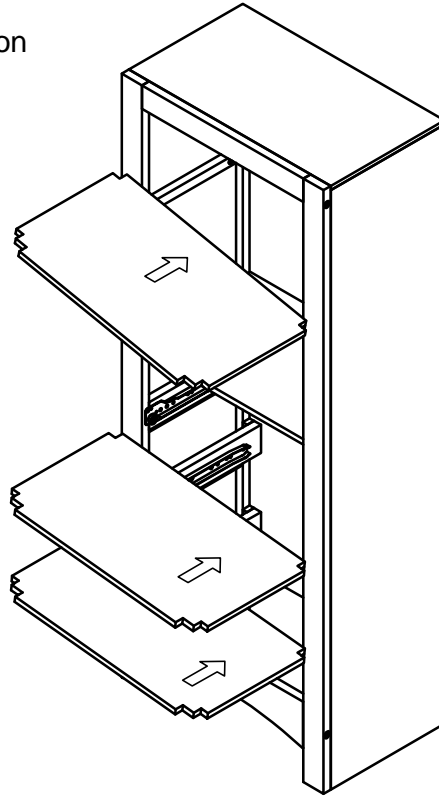
- Using hardware #E,#L connect Top panel (32) , Upper rail (35)
- Using hardware #G,#I,#L connect Left side (33) , Right side (34) , Top panel (32) Bottom rail (38) , Middle shelf (37)
- Using hardware #S,#I connect Bottom back rail (39) , Left side (33) , Right side (34)

B		16	E		4
D		16	L		1
			S		8
			G		8
			I		20



STEP: 17




Following below innustration

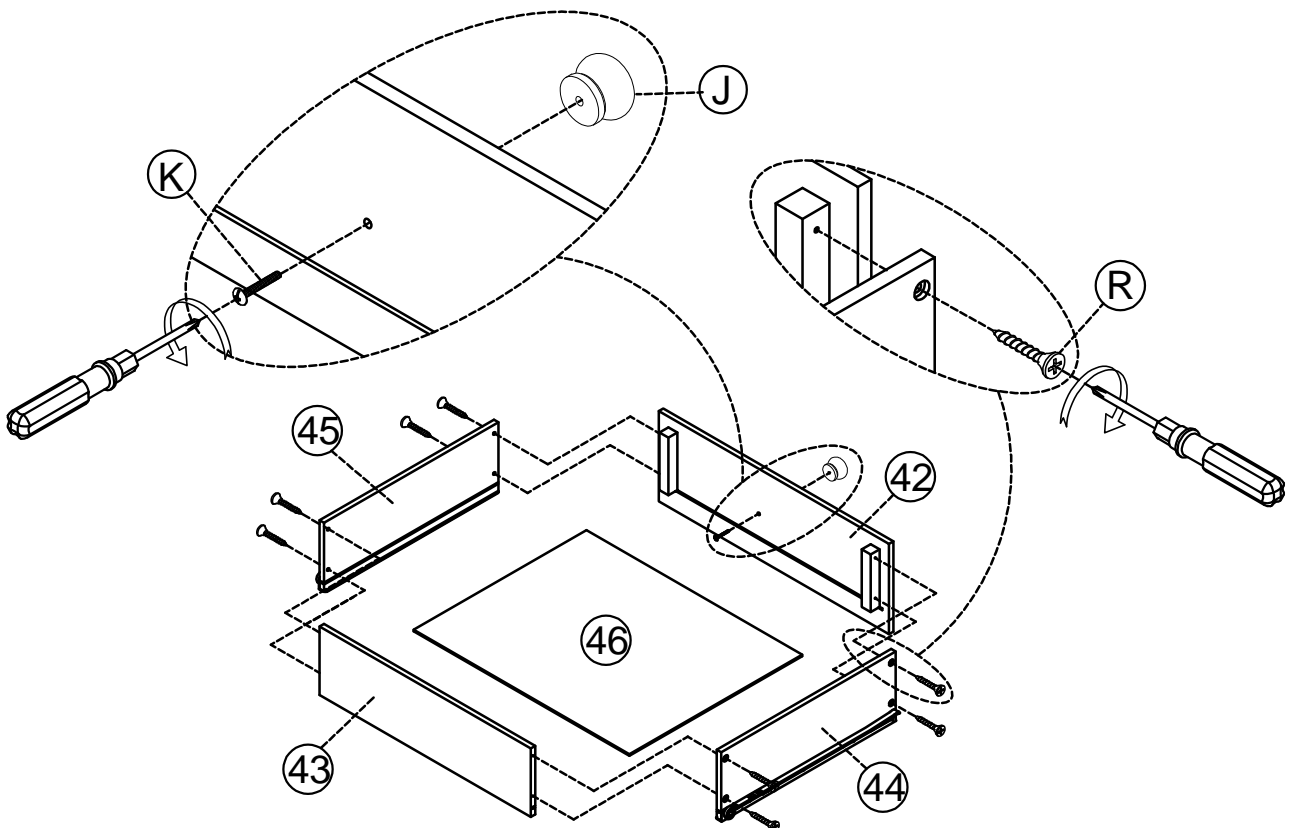


STEP: 18

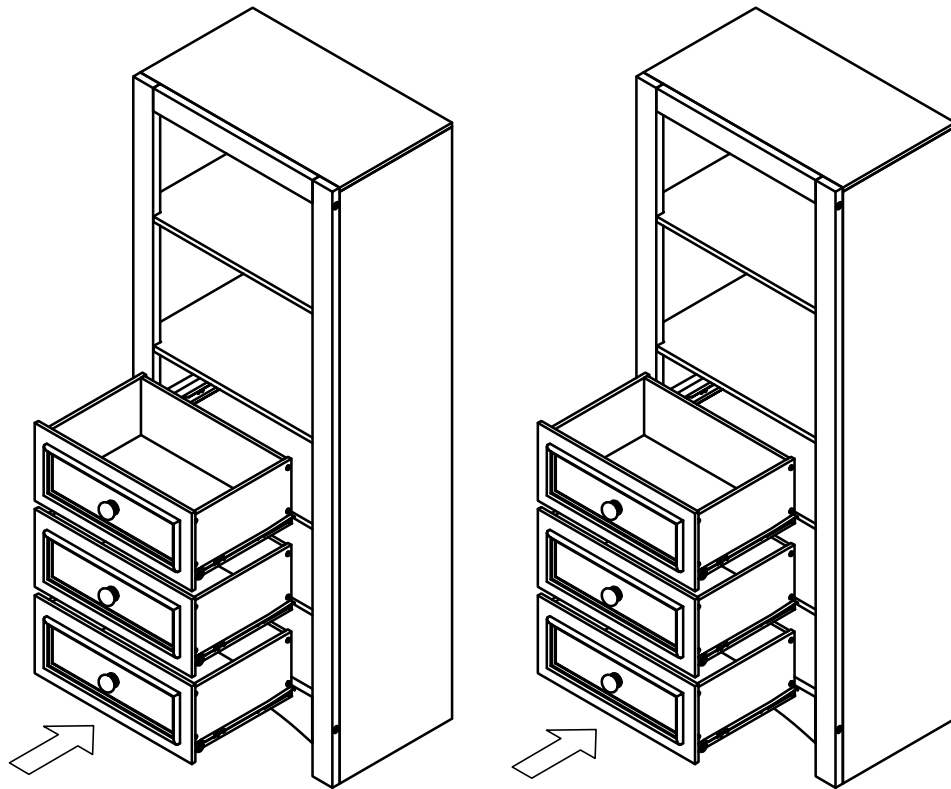
Following below innustration

- Using hardware #R connect Front drawer (42)
Back drawer (43), Left side drawer (44)
Right side drawer (45), Bottom drawer (46)
- Using hardware #K connect Handle (J)

J		6	R		48
			K		6



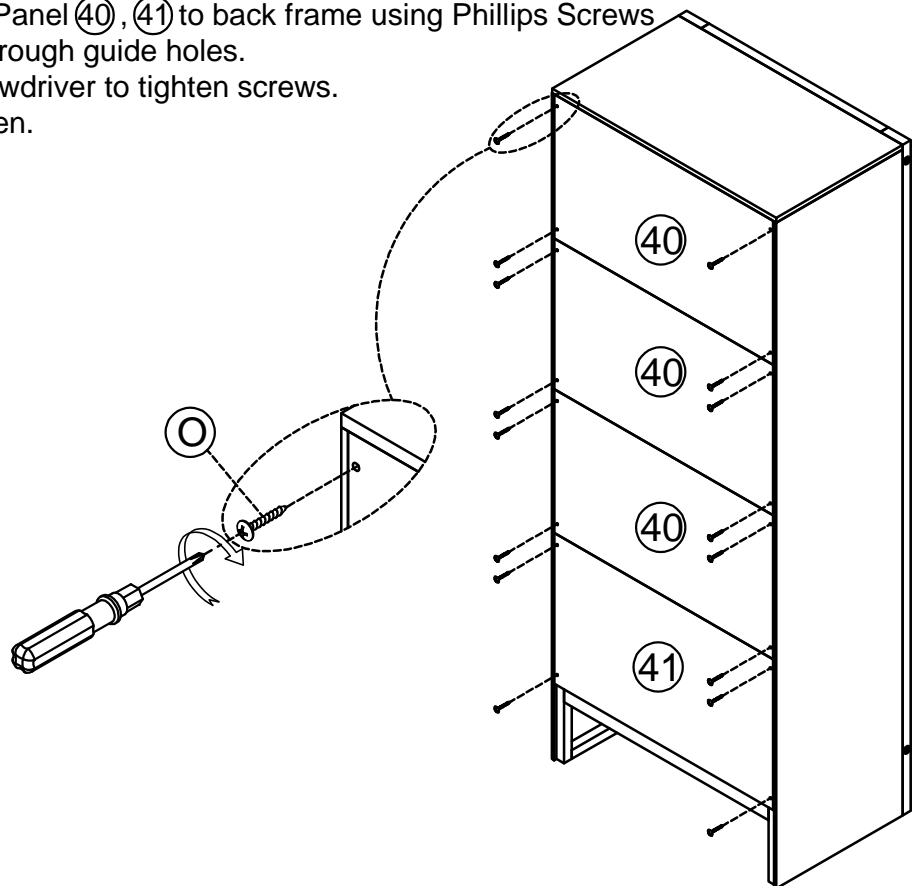
STEP: 19 Following below illustration





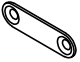
STEP: 20 Following below illustration



1. Attach the Back Panel (40), (41) to back frame using Phillips Screws Round Head 4 through guide holes.
2. Use Phillips Screwdriver to tighten screws. Do not over-tighten.



STEP: 21

N		4	Q		16
			M		4

Following below innustration

-Using hardware #M,#N,#Q connect with Frame(Completed on step:8)
Frame(Completed on step:20)

