

Height: 23,62 in
Width: 47,24 in
Depth: 13,18 in

Alto: 60 cm
Ancho: 120 cm
Fondo: 33,5 cm

For plate rack on **left** side
Para platero en lado izquierdo

LOT N°

REF./SKU. GLB5585-GLW5586

**IF ANY PARTS ARE BROKEN OR
MISSING PLEASE CONTACT US**

AT: 1-888-391-01-66 /

customerservicetuhome@rta.com.co

**OUR CUSTOMER SERVICE TEAM WILL PROVIDE
YOU HELP TO RESOLVE ANY ISSUES IMMEDIATELY**

120 WALL CABINET
GABINETE SUPERIOR 120



IMPORTANT RECOMMENDATIONS

Do not paint the cabinet.

The cabinet **MUST** be used exclusively indoors, do not expose to direct sun.

Clean metallic hardware with a dry cloth.

Do **NOT** overload the cabinet (see suggested loads).

Do not hit or hammer the cabinet (just when indicated).

Clean with a slightly damp cloth, use gentle soaps.

Do not drag, lift and move between two people.

Avoid direct contact with water, fire or exposure to heat sources.

RECOMENDACIONES IMPORTANTES

No pintar el mueble.

El mueble debe ser usado únicamente en interiores, no exponer al sol directo.

Limpiar los herrajes metálicos con un paño seco.

NO sobrecargar el mueble (ver las cargas sugeridas).

No golpear ni martillar el mueble (solo cuando se indique).

Limpiar con un paño ligeramente húmedo, usar jabones suaves.

No arrastre el mueble, levántelo entre dos personas.

Evite el contacto directo con el agua, el fuego o la exposición a fuentes de calor.



WARNING

Never allow children to climb or manipulate the cabinet, furniture tip over can cause serious injuries or death.



ADVERTENCIA

Nunca permita que los niños escalen o manipulen el mueble, la caída de este puede provocar lesiones graves o la muerte.

INDEX

ÍNDICE

Assembly Hardware 4

Assembly Parts 5

Suggested Loads 6

Assembly Recommendations 6

Assembly Steps 7-15

Warranty 16

Herrajes para Armado 4

Piezas de Armado 5

Cargas Sugeridas 6

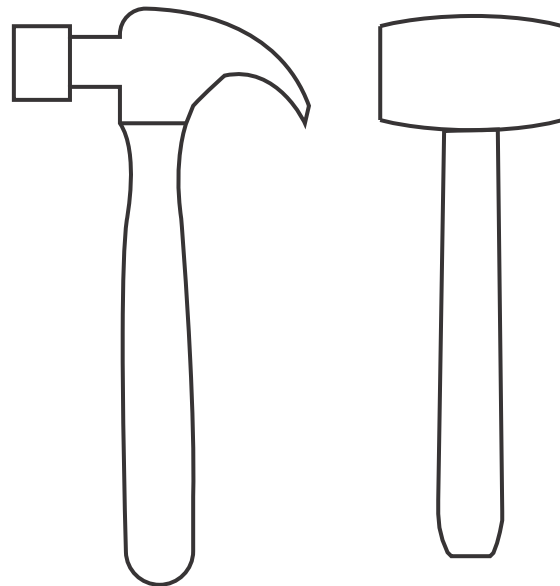
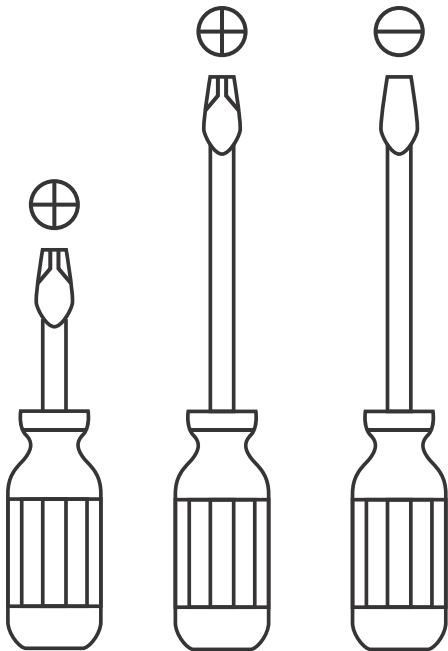
Recomendaciones de Ensamble 6

Pasos de Armado 7-15

Garantía 16

REQUIRED TOOLS*

HERRAMIENTAS NECESARIAS*



*Not included, and not shown actual size.

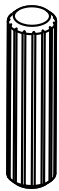
*No incluidas y no se muestran en tamaño real.

ASSEMBLY HARDWARE

HERRAJES PARA ARMADO

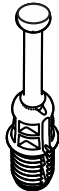
Please check that the hardware content is correct. If any item is missing, please call to our customer service line.

Compruebe que el contenido de los herrajes sea el correcto. En caso de que falte alguna pieza, por favor llame a nuestra línea de atención al cliente.



x19

Wood Dowel
Tarugo



x10

Spreading Bolt
Perno Minifix



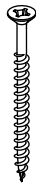
x10

Minifix Cams
Minifix



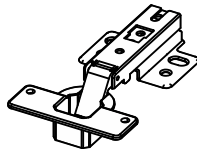
x10

Cover Caps
Tapa Adhesiva
Minifix



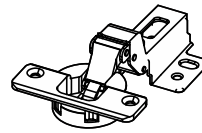
x5

2" Drywall Screw
Tornillo de
Ensamble 2"



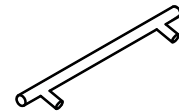
x4

Full Overlay Hinge
(Screws included)
Bisagra Parche
(Incluye Tornillos)



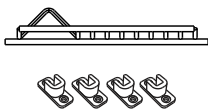
x4

Half Overlay Hinge
(Screws included)
Bisagra Semiparche
(Incluye Tornillos)



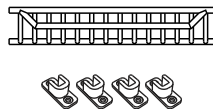
x4

Handle
(Screws included)
Manija
(Incluye Tornillos)



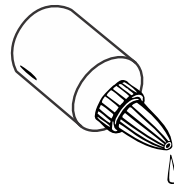
x1

Glass Organizer
(4 Supports and
Screws included)
Locero
(Incluye 4 soportes
y Tornillos)



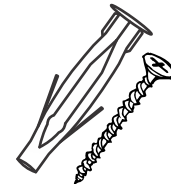
x1

Plate Rack
(4 Supports and
Screws included)
Platero
(Incluye 4 soportes
y Tornillos)



x1

Glue
Pegante



x3

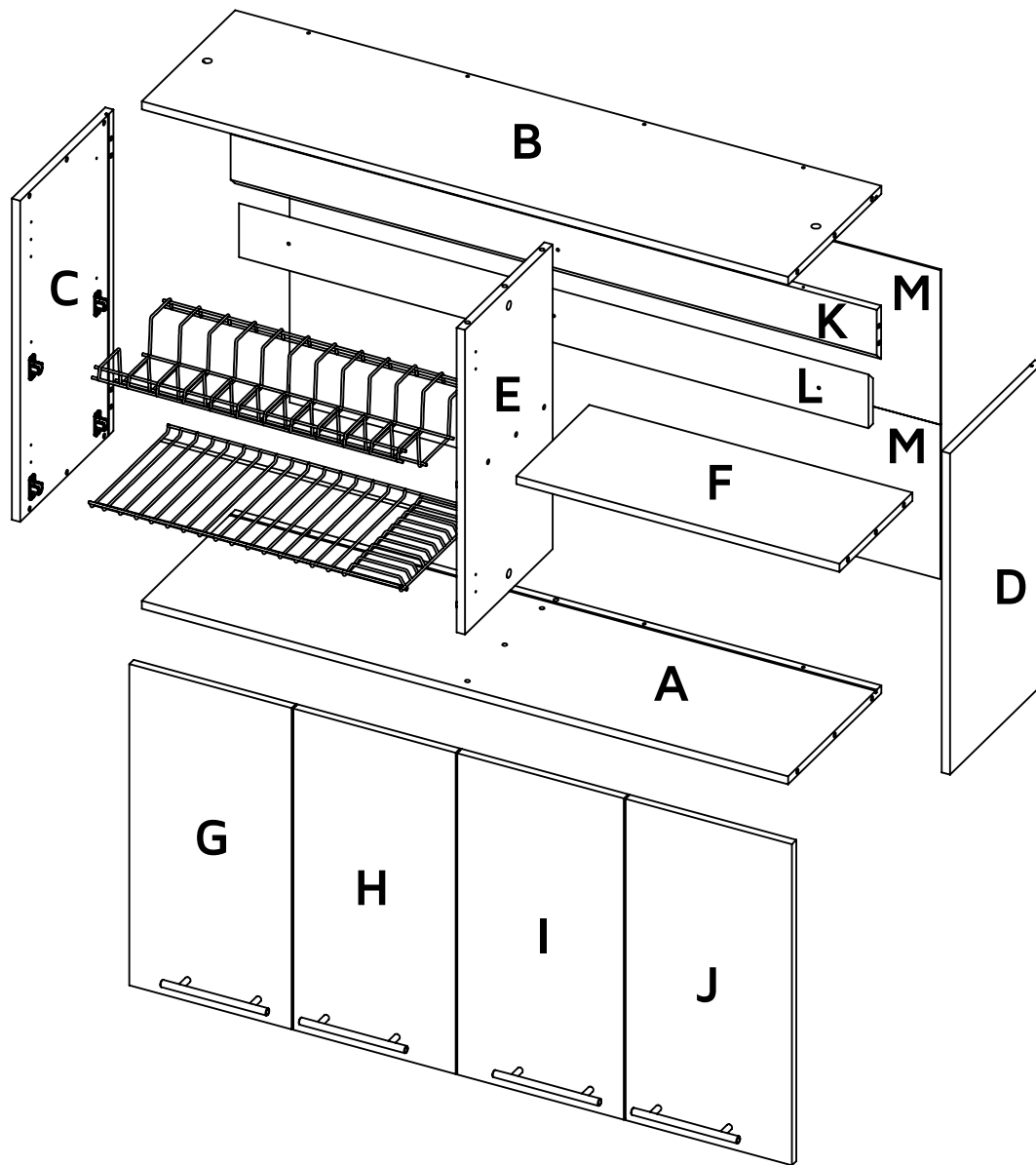
Drywall Screw +
Wall Anchor
Chazo Mariposa
+ Tornillo Ensamble

Hardware items are NOT shown actual size.

Los herrajes no se muestran en el tamaño real.

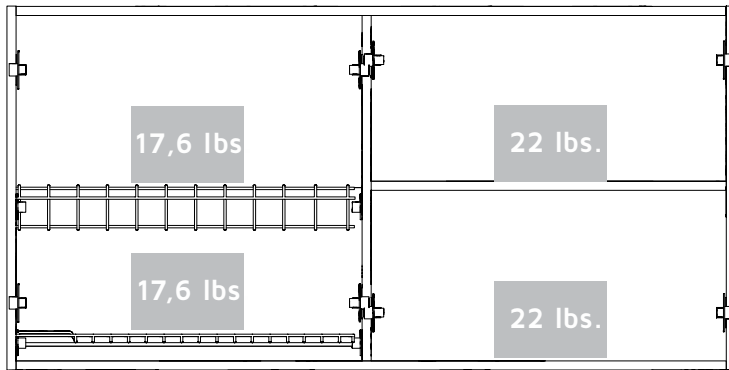
ASSEMBLY PARTS

PIEZAS DE ARMADO

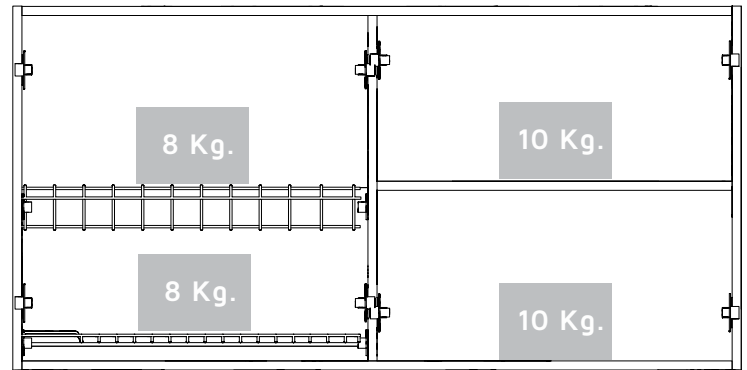


A - x1	F - x1	K - x1
B - x1	G - x1	L - x1
C - x1	H - x1	M - x2
D - x1	I - x1	
E - x1	J - x1	

MAX SUGGESTED LOADS



CARGAS MÁXIMAS SUGERIDAS



ASSEMBLY RECOMMENDATIONS

Two people are recommended to assemble the product.

Assemble the cabinet on a flat, smooth surface, preferably on a carpeted floor or the carton box of the product.

Carefully read the assembly instructions and identify every wood and hardware part before start assembling the cabinet.

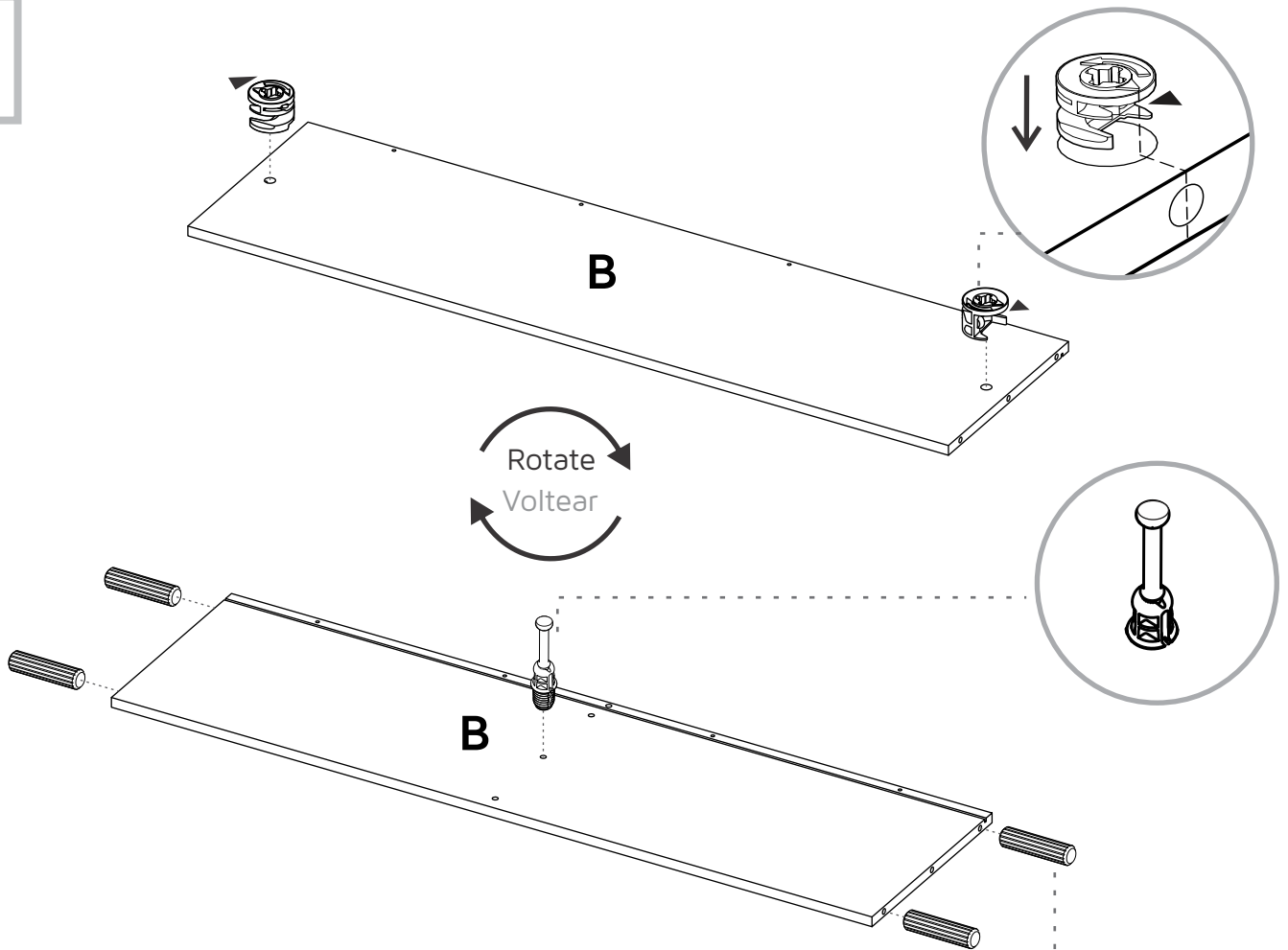
RECOMENDACIONES DE ENSAMBLE

Ensamble el mueble entre dos personas.

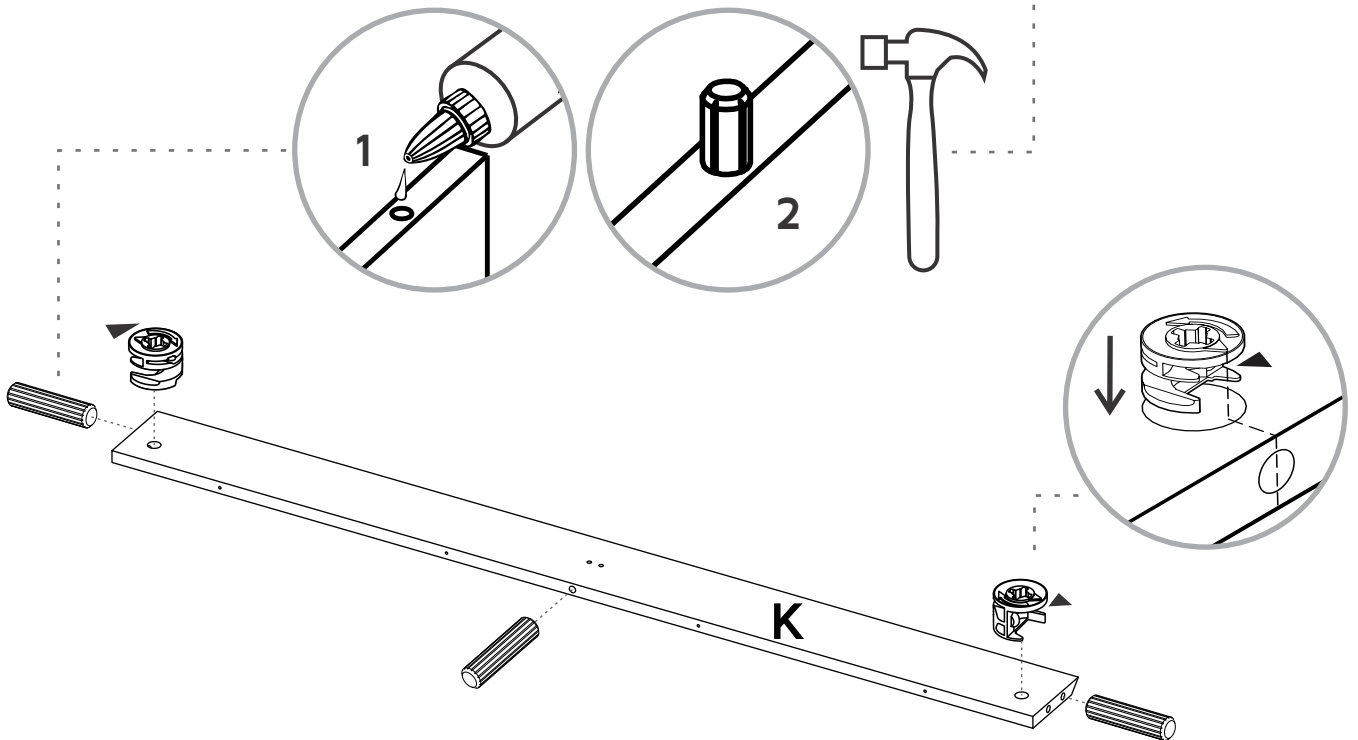
Ensamble el mueble sobre una superficie plana y lisa, preferiblemente sobre un tapete o el cartón de la caja

Lea cuidadosamente las instrucciones e identifique todas las piezas y herrajes antes de empezar a armar el mueble.

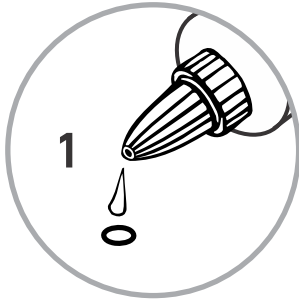
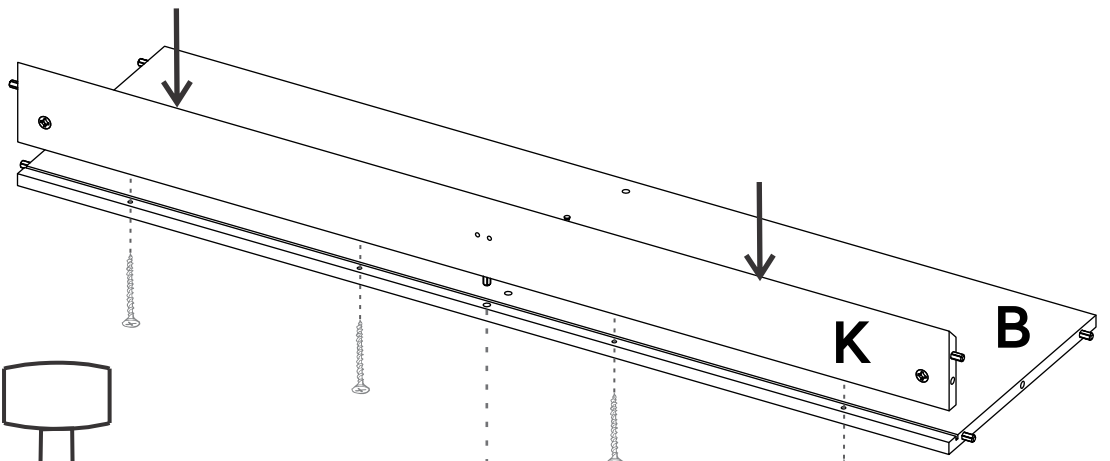
1



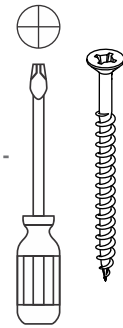
2



3

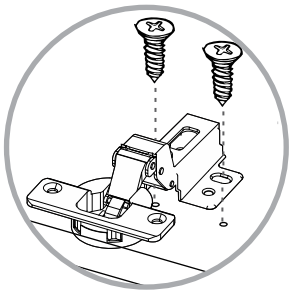


Gently hit the pieces with a rubber hammer to adjust the joint.
 Golpee suavemente la pieza con un martillo de goma para ajustar el ensamble.

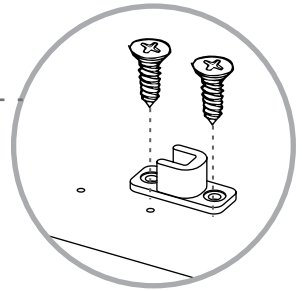
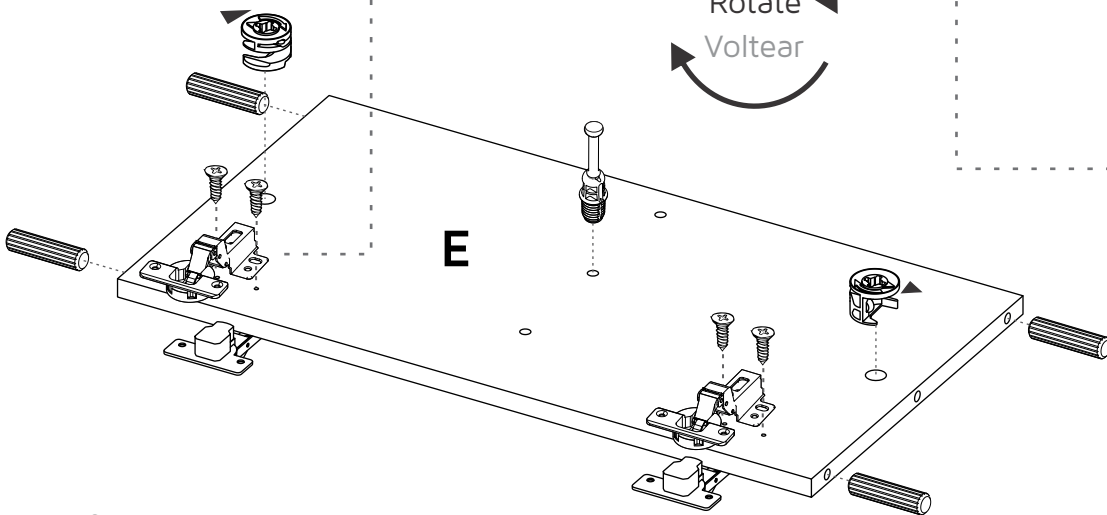
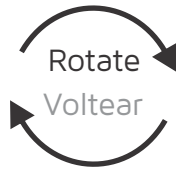
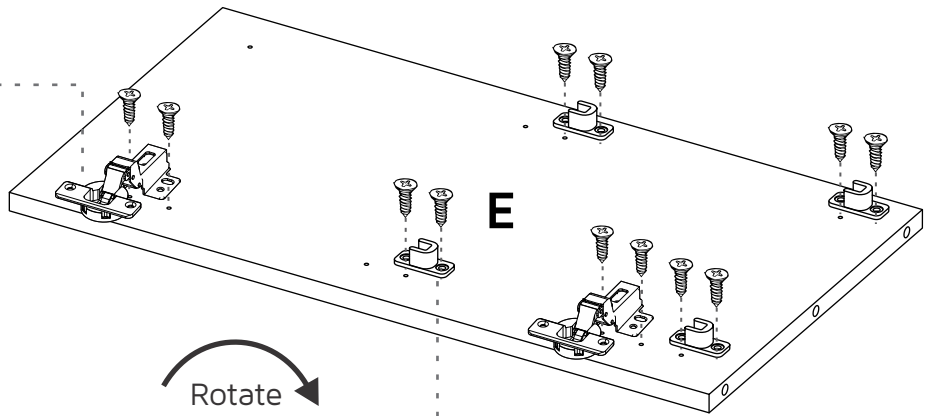


2" Drywall Screw
 Tornillo de Ensamble 2"

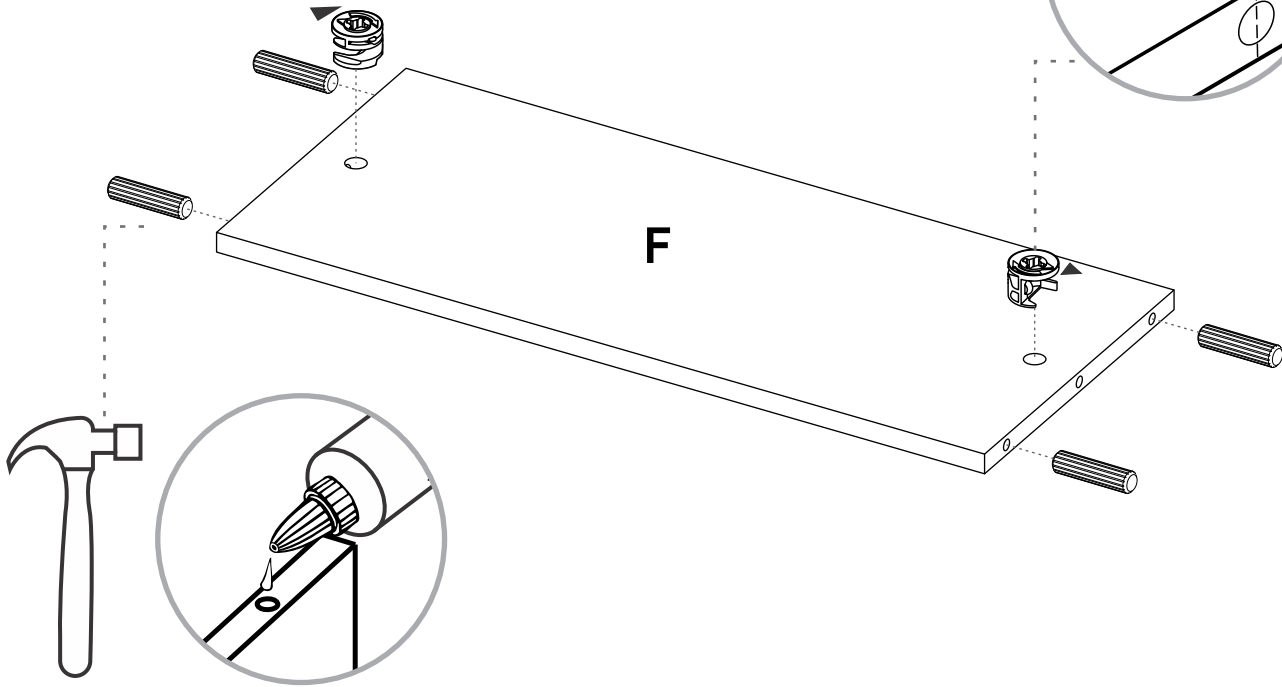
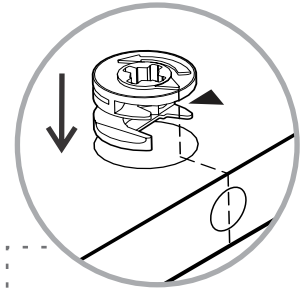
4



* Half Overlay Hinge /
 Bisagra Semiparche

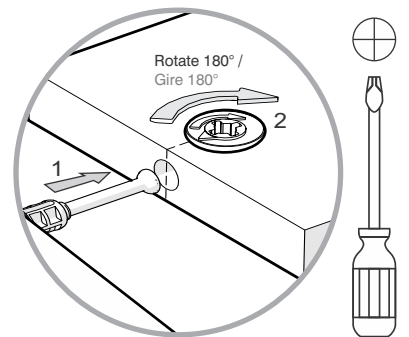
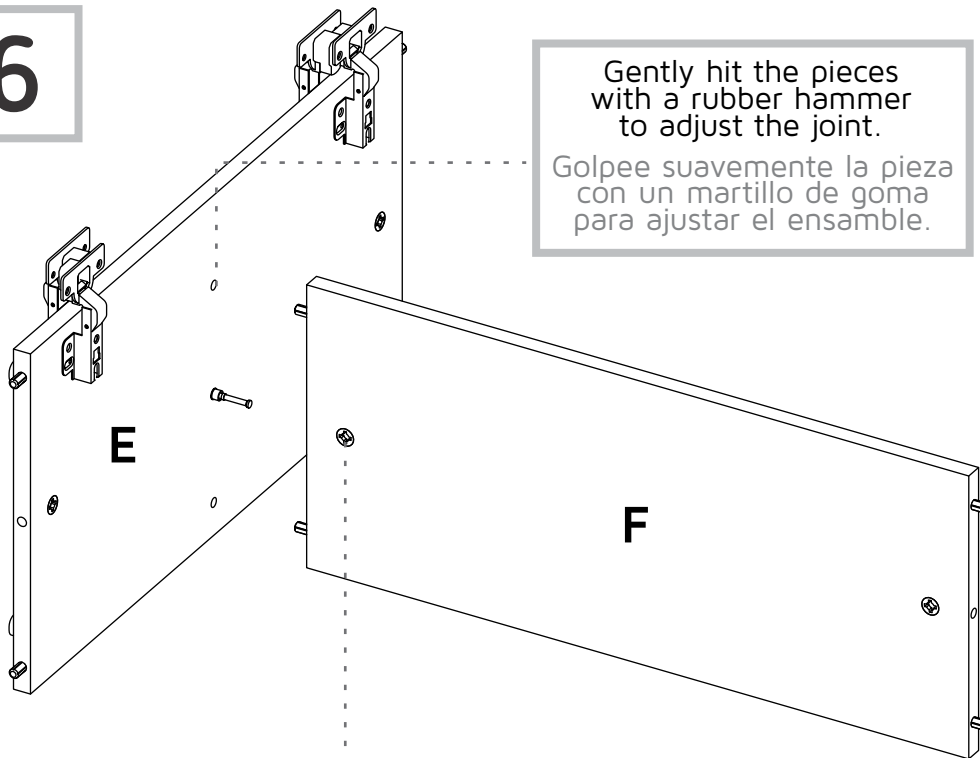
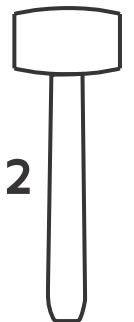
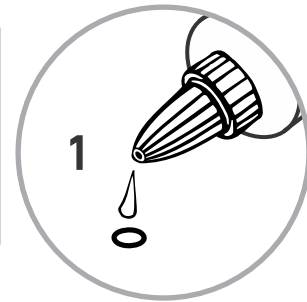


5



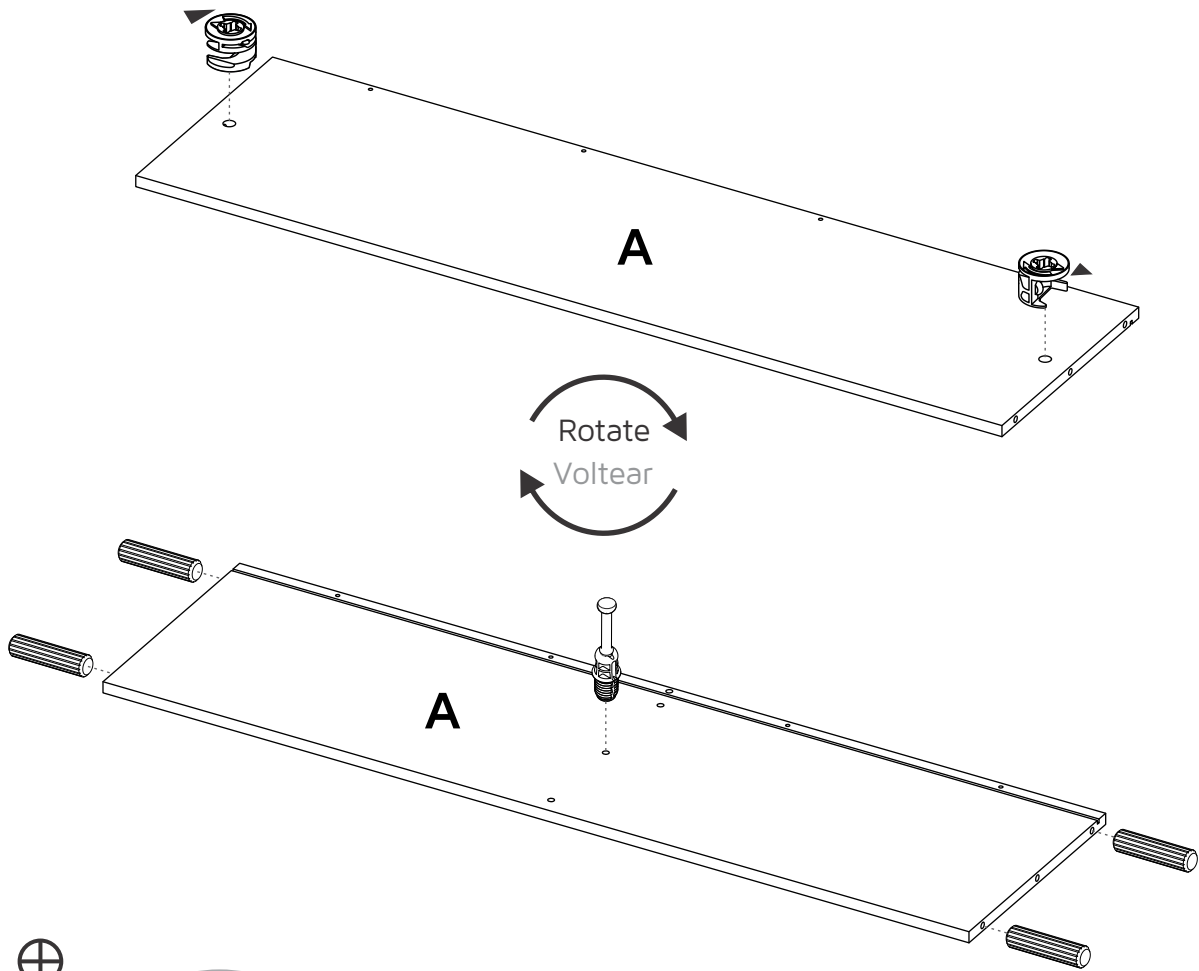
6

Gently hit the pieces with a rubber hammer to adjust the joint.
 Golpee suavemente la pieza con un martillo de goma para ajustar el ensamble.

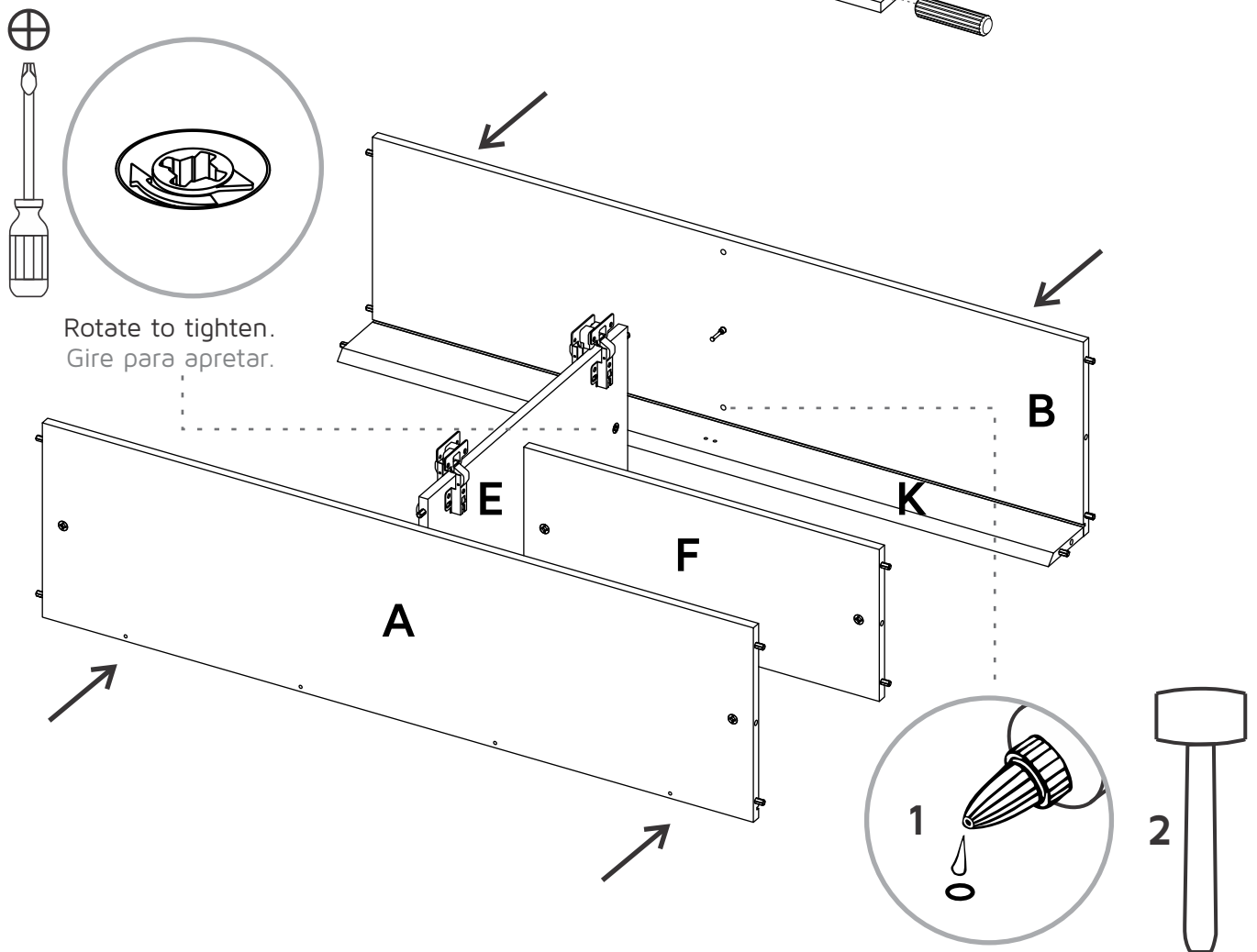


Turn minifix cams to the right to tighten.
 Gire las cajas minifix hacia la derecha para apretar las piezas.

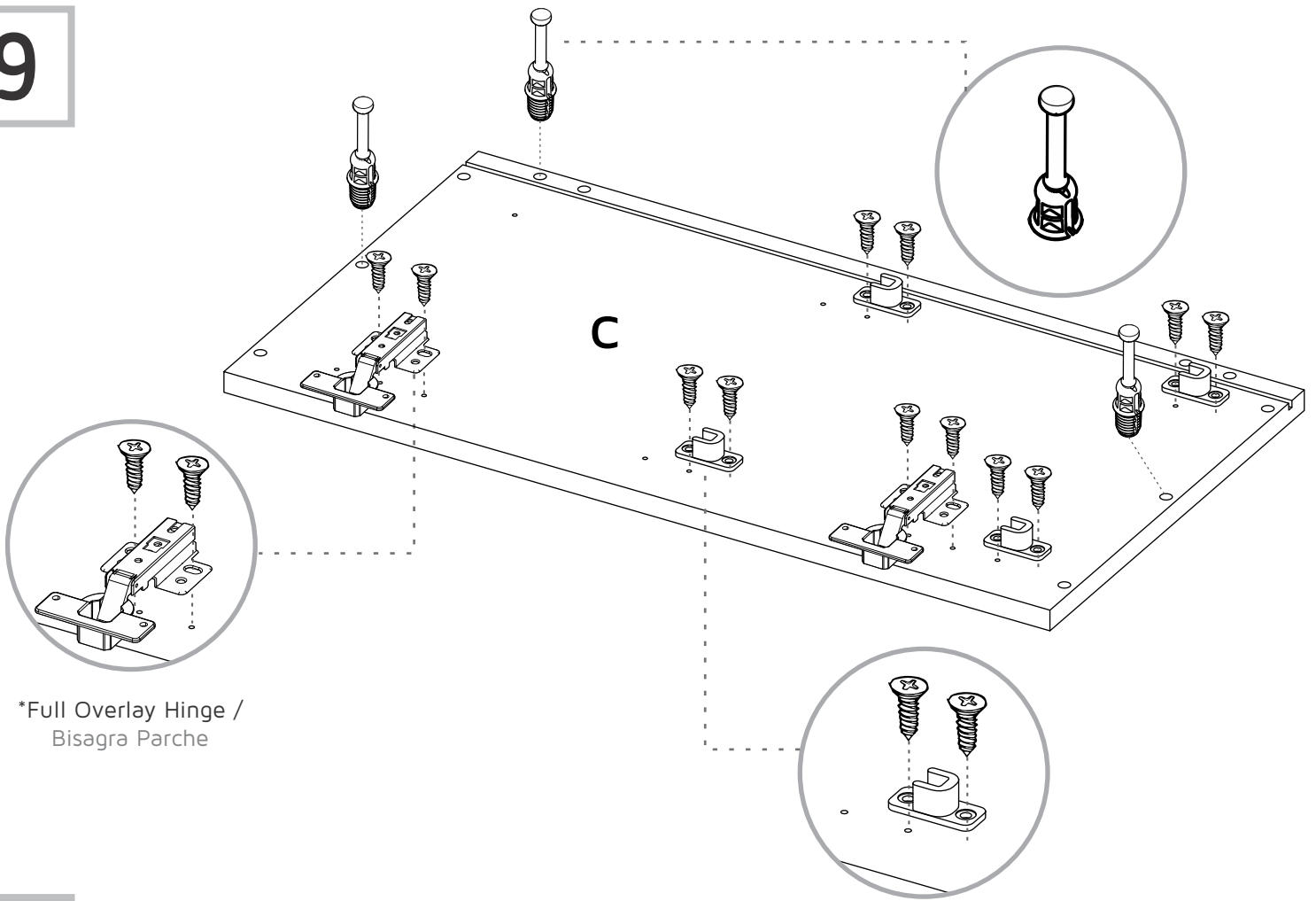
7



8

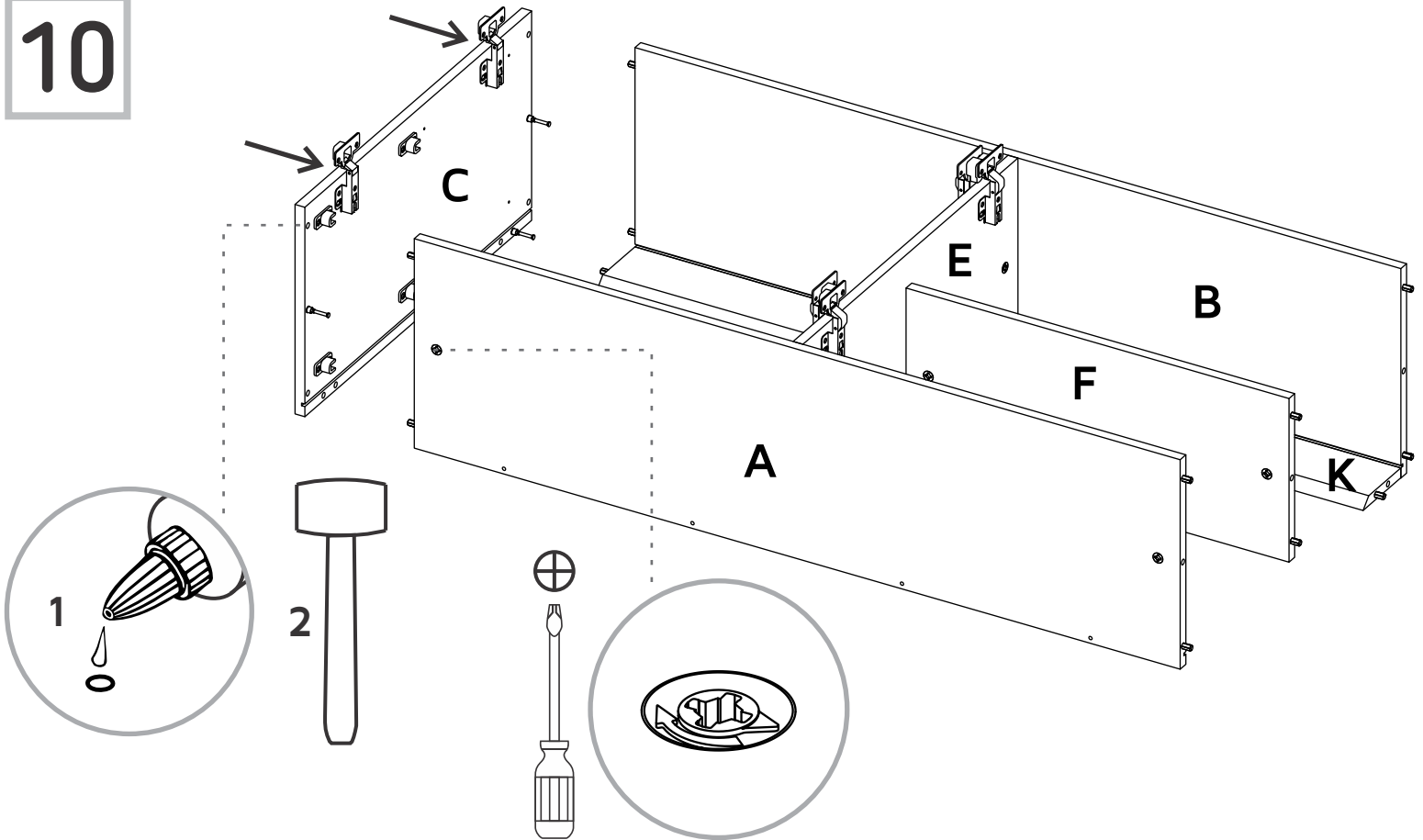


9



*Full Overlay Hinge /
Bisagra Parche

10

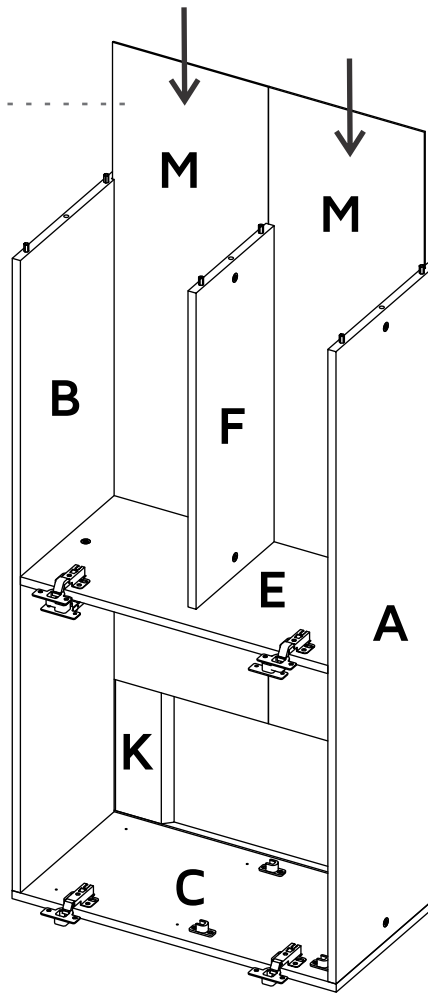


Rotate to tighten.
Gire para apretar.

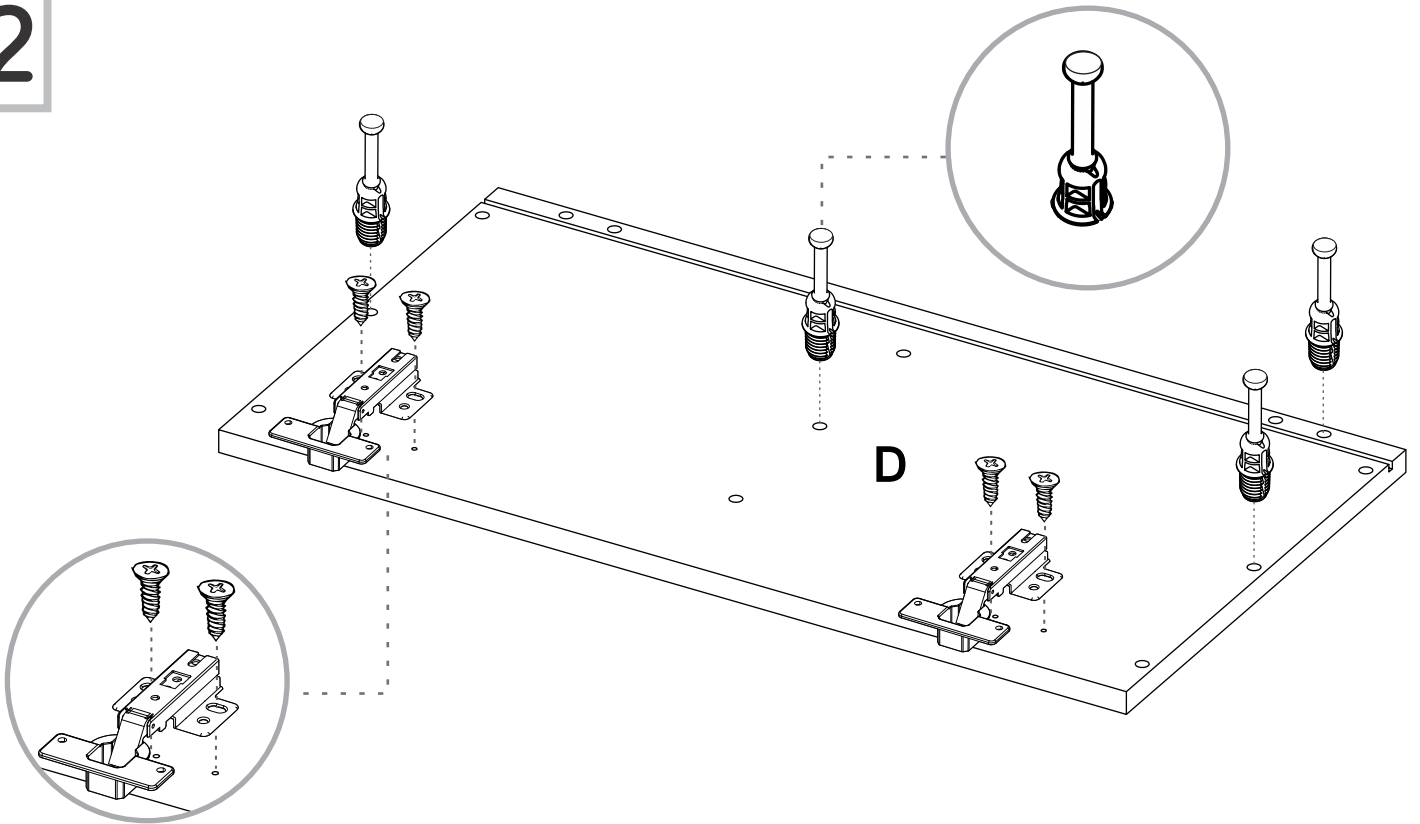
11

Carefully flip
the cabinet /
Voltear el mueble
cuidadosamente

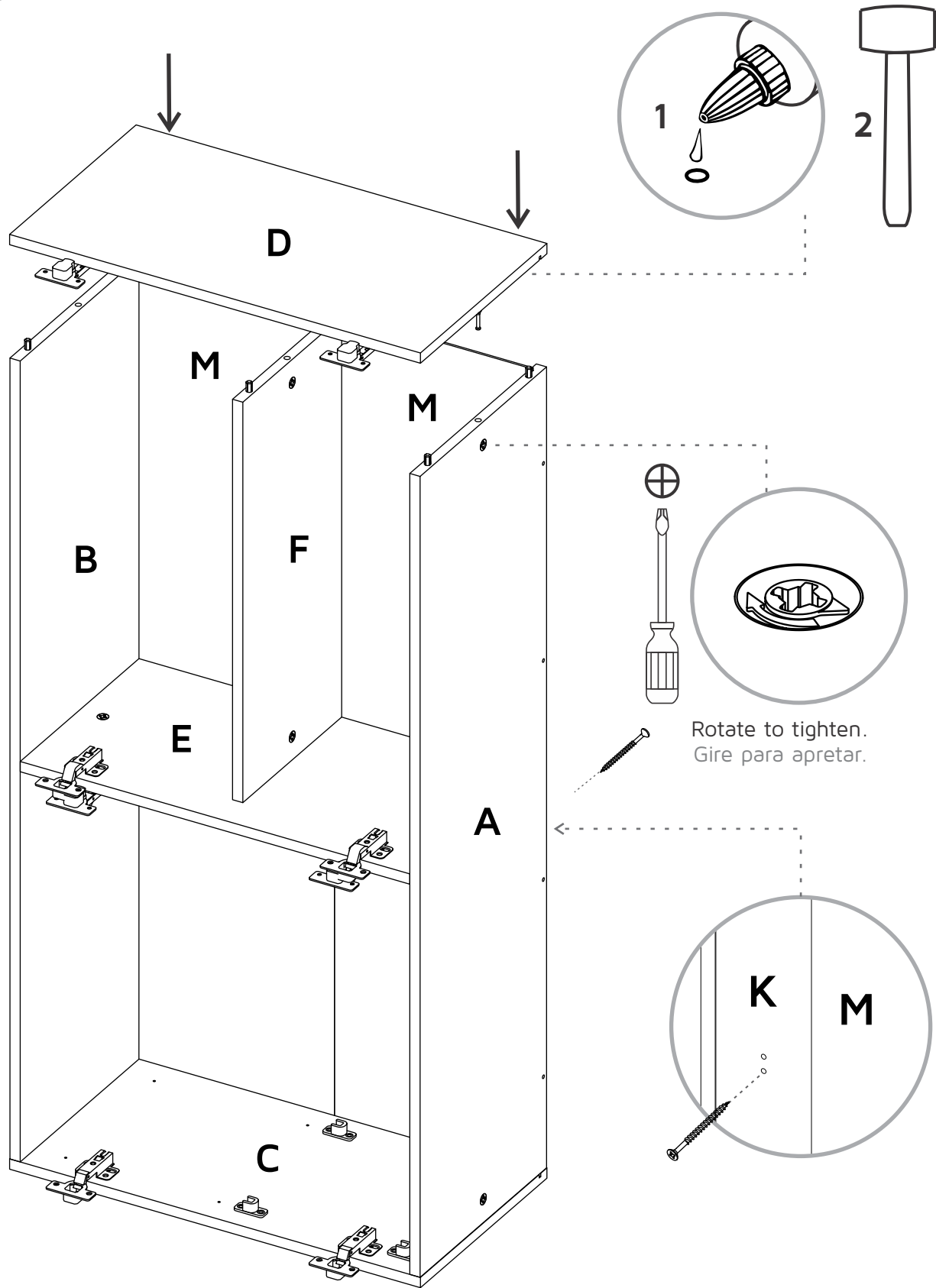
Slide the back panels
inside the cabinet
Deslice los fondos
dentro del mueble



12



*Full Overlay Hinge /
Bisagra Parche

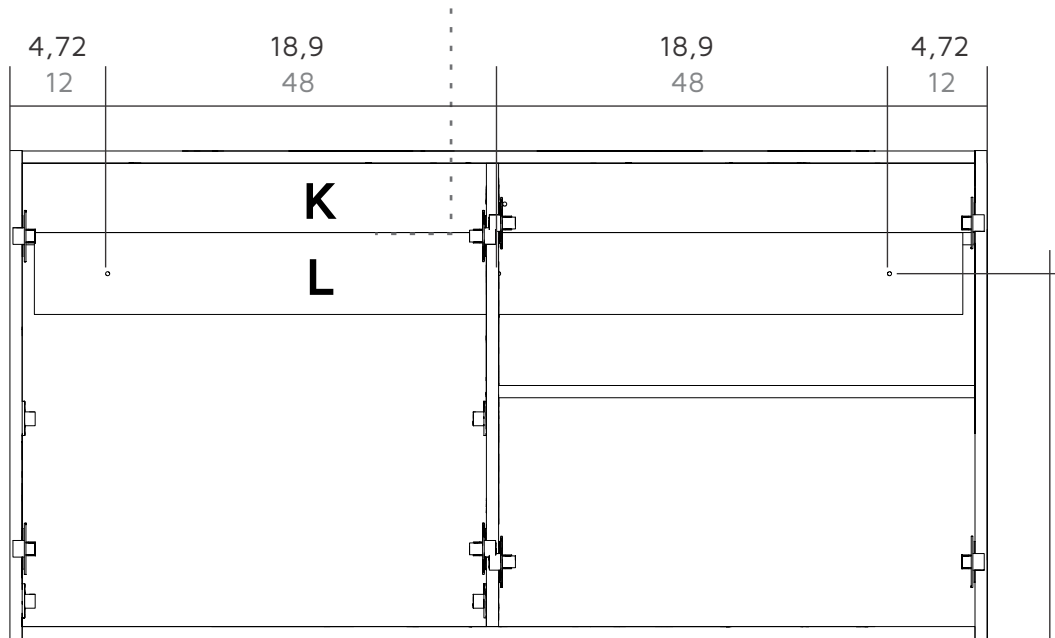
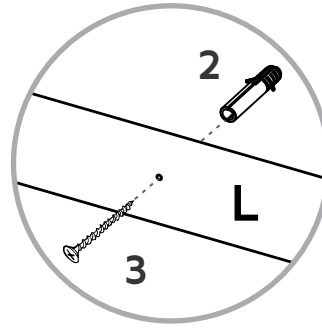


14

Fixing the cabinet to the wall Instalación del mueble a la pared



1
Broca de 5/16".
5/16 Drill bit.



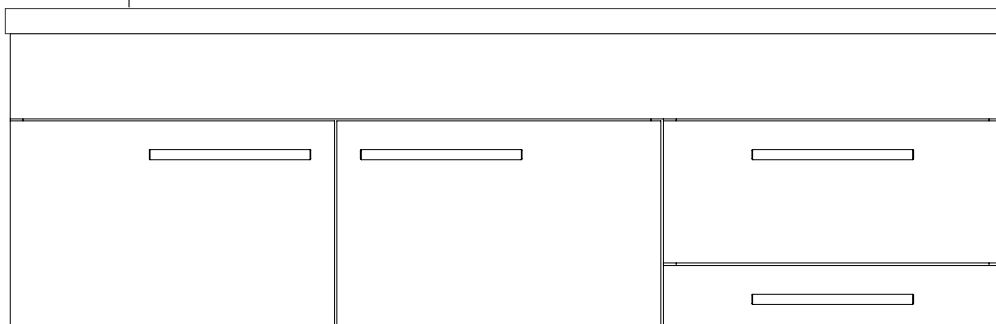
* Suggested distance
to the base cabinet /
Distancia sugerida al
mueble inferior

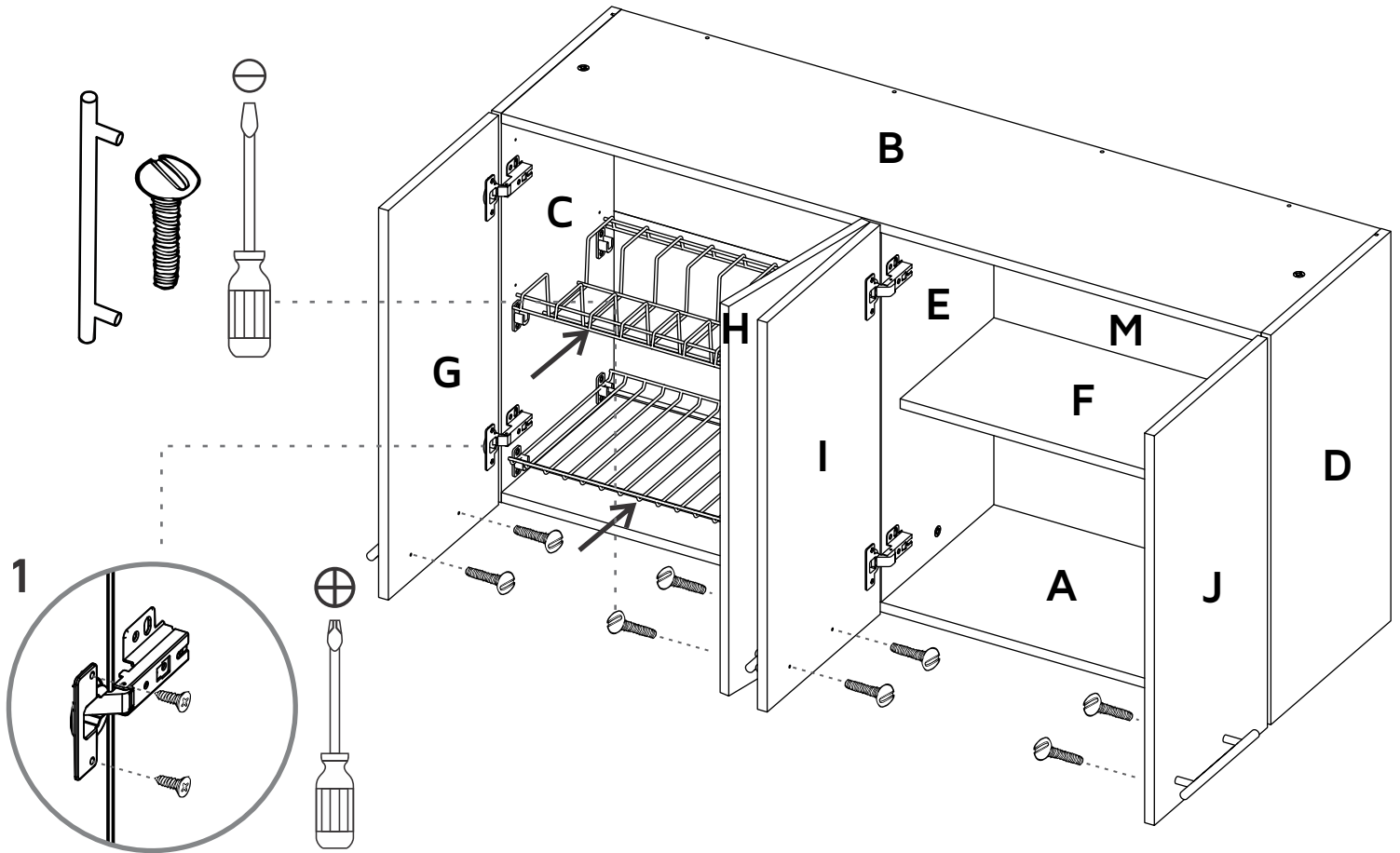
21,65
55

Wall / Pared
*Inches / Centímetros

* Distance to the floor /
Distancia a piso

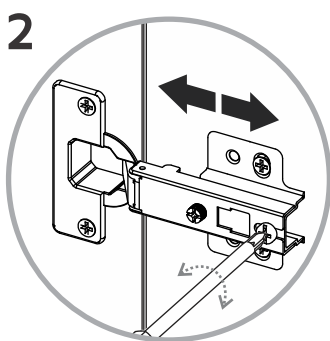
73,38
186,4



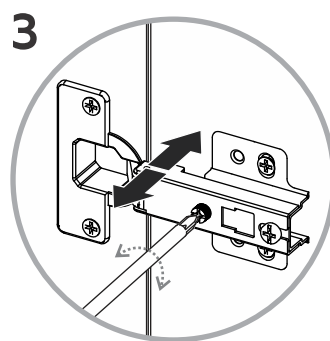


Hinge adjustment

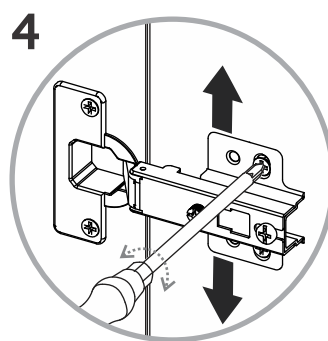
Ajuste de las bisagras



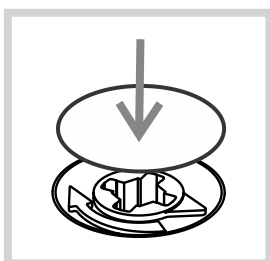
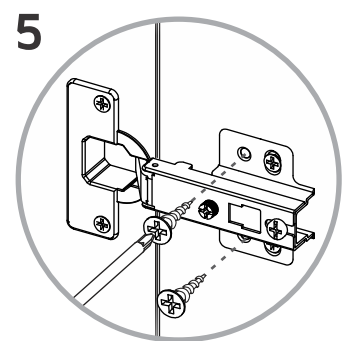
Depth adjustment
Ajuste de profundidad



Side adjustment
Ajuste lateral

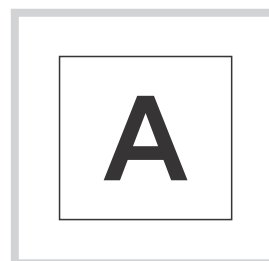


Height adjustment
Ajuste de altura



After you finish the adjustment of the cams, cover them with the cover caps.

Después de ajustar todas las cajas minifix, cúbralas con las tapas adhesivas.



After you finish assembling the cabinet, take off the adhesive letters.

Al terminar de armar, desprenda las letras adhesivas.

TUHOME Furniture has a 3 year warranty coverage in wooden parts and 1 year warranty coverage in hardware pieces since its manufacturing date, which you can see in the lot number printed on the product box and the assembly instructions leaflet.

Warranty covers materials and workmanship imperfections which impair the assembly or correct functioning of the cabinet.

This warranty is not valid if the defects or imperfections are caused by the incorrect following of the assembly instructions, warnings and recommendations, misuse, intentional damage, fire or flood, or after modifications or any kind of alteration, or repaired by someone not authorized by TUHOME Furniture, when it's been assembled 3 months after the date of purchase. These defects MUST be reported before the warranty coverage period ends. Once the product has been assembled, the company will not be responsible for defective and/or damaged parts.

This warranty is ONLY valid for the ORIGINAL PURCHASER, it doesn't apply if the product has been resold, rented, etc.

TUHOME Furniture will take no liability for incidental or consequential damages caused to or by the product (This may not apply in your state).

To make this warranty valid you must write to our customer service email describing the product defect, lot number and submitting your sales receipt or proof of purchase, or contact us at our customer service line. Replaced parts will be under the product's original warranty coverage period. Damaged parts will become property of the company.

There are no other warranties applicable to this product.

**IF ANY PARTS ARE BROKEN OR
MISSING PLEASE CONTACT US**
AT: 1-888-391-01-66 /
customerservicetuhome@rta.com.co
**OUR CUSTOMER SERVICE TEAM WILL PROVIDE
YOU HELP TO RESOLVE ANY ISSUES IMMEDIATELY**