

Height: 36,73 in Alto: 93,3 cm
Width: 40,16 in Ancho: 102 cm
Depth: 19,69 in Fondo: 50 cm

LOT N°

**IF ANY PARTS ARE BROKEN OR
MISSING PLEASE CONTACT US**

AT: 1-888-391-01-66 /

customerservicetuhome@rta.com.co

**OUR CUSTOMER SERVICE TEAM WILL PROVIDE
YOU HELP TO RESOLVE ANY ISSUES IMMEDIATELY**

MANAOS COMPUTER DESK
Escritorio Manaos



IMPORTANT RECOMMENDATIONS

Do not paint the cabinet.

The cabinet **MUST** be used exclusively indoors, do not expose to direct sun.

Clean metallic hardware with a dry cloth.

Do **NOT** overload the cabinet (see suggested loads).

Do not hit or hammer the cabinet (just when indicated).

Clean with a slightly damp cloth, use gentle soaps.

Do not drag, lift and move between two people.

Avoid direct contact with water, fire or exposure to heat sources.

RECOMENDACIONES IMPORTANTES

No pintar el mueble.

El mueble debe ser usado únicamente en interiores, no exponer al sol directo.

Limpiar los herrajes metálicos con un paño seco.

NO sobrecargar el mueble (ver las cargas sugeridas).

No golpear ni martillar el mueble (solo cuando se indique).

Limpiar con un paño ligeramente húmedo, usar jabones suaves.

No arrastre el mueble, levántelo entre dos personas.

Evite el contacto directo con el agua, el fuego o la exposición a fuentes de calor.



WARNING

Never allow children to climb or manipulate the cabinet, furniture tip over can cause serious injuries or death.



ADVERTENCIA

Nunca permita que los niños escalen o manipulen el mueble, la caída de este puede provocar lesiones graves o la muerte.

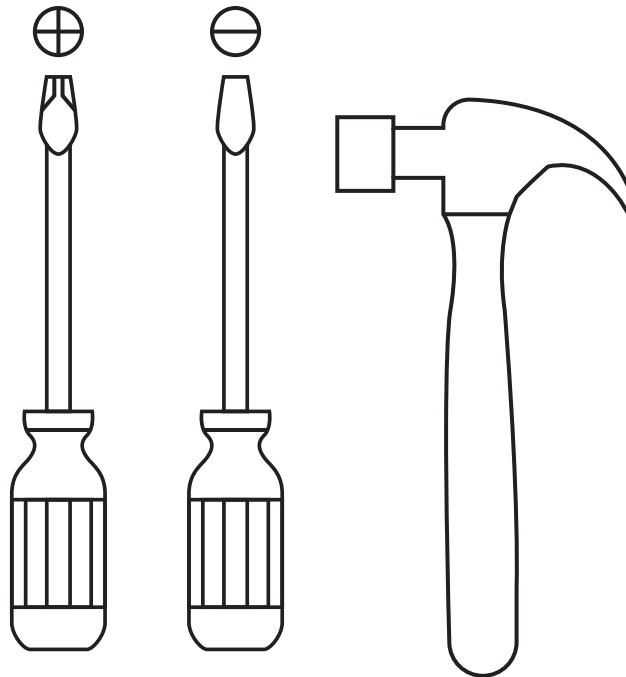
INDEX

ÍNDICE

Assembly Hardware	4	Herrajes para Armado.....	4
Assembly Parts	5	Piezas de Armado.....	5
Suggested Loads.....	6	Cargas Sugeridas.....	6
Assembly Recommendations.....	6	Recomendaciones de Ensamble.....	6
Assembly Steps	7-22	Pasos de Armado.....	7-22
Warranty.....	23	Garantía	23

REQUIRED TOOLS*

HERRAMIENTAS NECESARIAS*



*Not included, and not shown actual size.

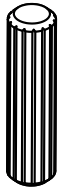
*No incluidas y no se muestran en tamaño real.

ASSEMBLY HARDWARE

HERRAJES PARA ARMADO

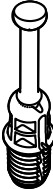
Please check that the hardware content is correct. If any item is missing, please call to our customer service line.

Compruebe que el contenido de los herrajes sea el correcto. En caso de que falte alguna pieza, por favor llame a nuestra línea de atención al cliente.



x47

Wood Dowel
Tarugo



x38

Spreading Bolt
Perno Minifix



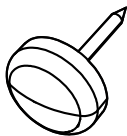
x38

Minifix Cams
Minifix



x40

Cover Caps
Tapa Adhesiva
Minifix



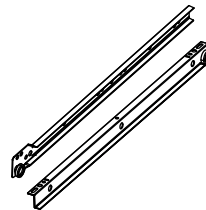
x8

Nail-on Glide
Deslizador Puntilla



x4

2" Drywall Screw
Tornillo de
Ensamble 2"



x1

Drawer Slides
(Screws Included)
Rieles
(Incluye Tornillos)



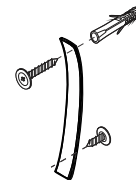
x1

Handle
Manija



x2

Handle Screw
Tornillos Manija



x2

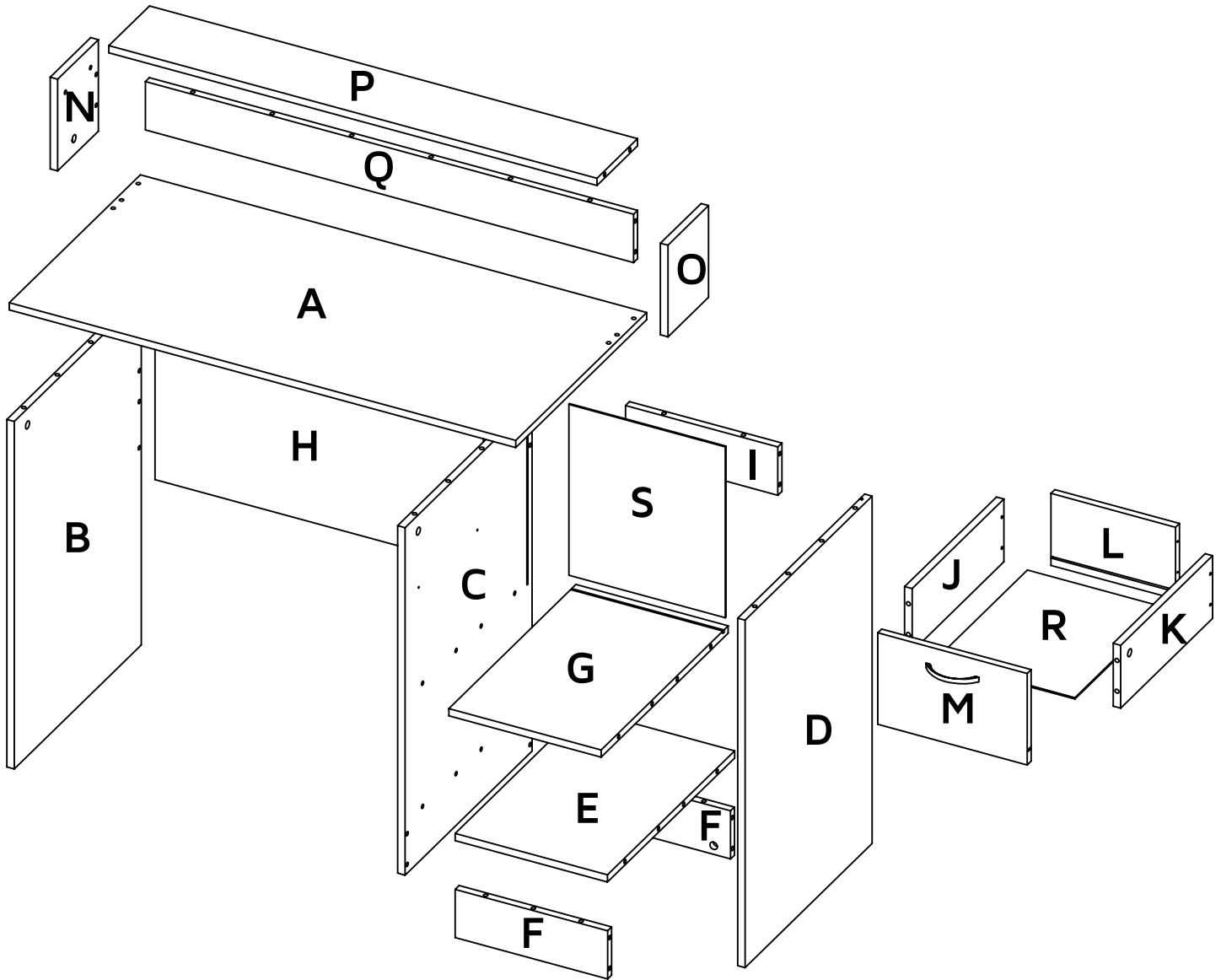
Wall Fixing Kit
(Screws Included)
Kit Anti vuelco
(Incluye Tornillos)

Hardware items are NOT shown actual size.

Los herrajes no se muestran en el tamaño real.

ASSEMBLY PARTS

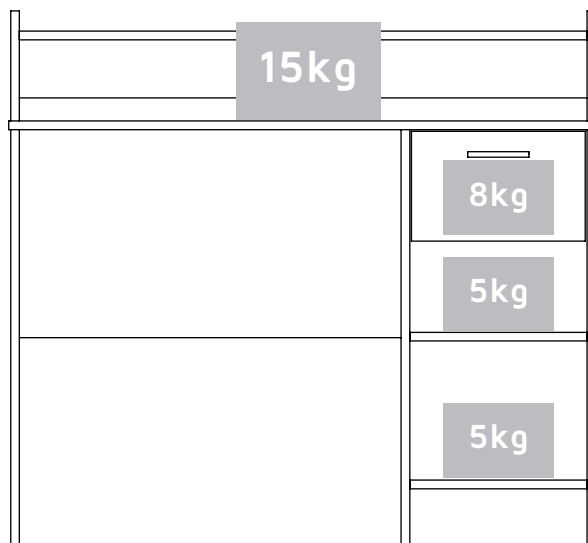
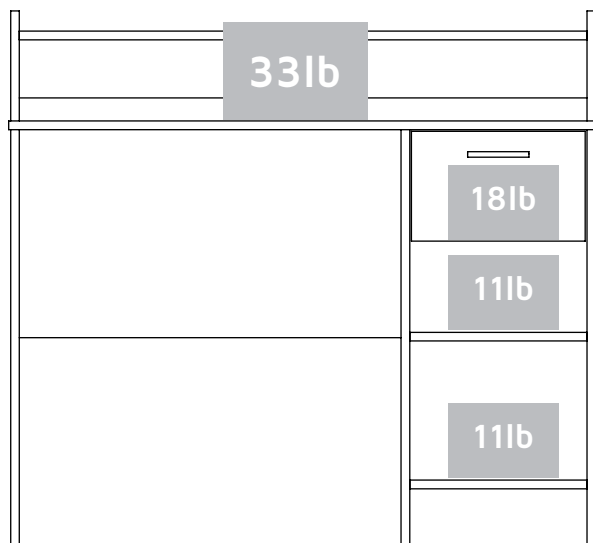
PIEZAS DE ARMADO



A - x1	F - x2	K - x1	P - x1
B - x1	G - x1	L - x1	Q - x1
C - x1	H - x1	M - x1	R - x1
D - x1	I - x1	N - x1	
E - x1	J - x1	O - x1	

MAX SUGGESTED LOADS

CARGAS MÁXIMAS SUGERIDAS



ASSEMBLY RECOMMENDATIONS

RECOMENDACIONES DE ENSAMBLE

Two people are recommended to assemble the product.

Ensamble el mueble entre dos personas.

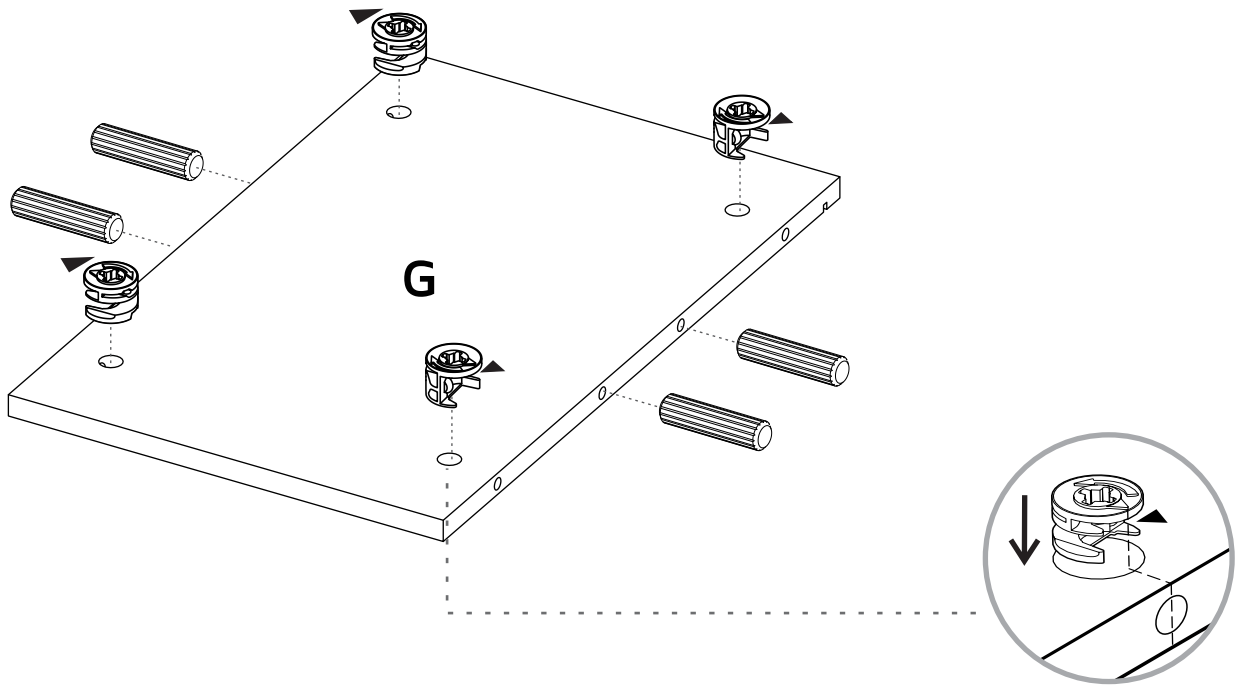
Assemble the cabinet on a flat, smooth surface, preferably on a carpeted floor or the carton box of the product.

Ensamble el mueble sobre una superficie plana y lisa, preferiblemente sobre un tapete o el cartón de la caja

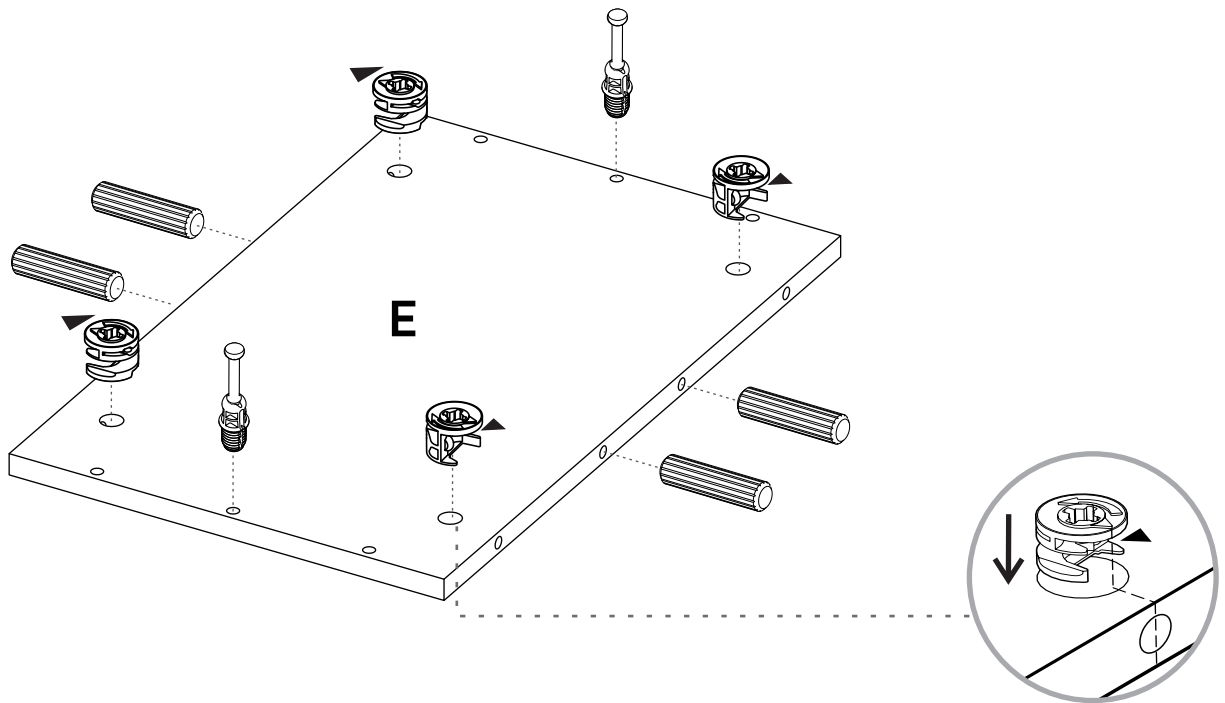
Carefully read the assembly instructions and identify every wood and hardware part before start assembling the cabinet.

Lea cuidadosamente las instrucciones e identifique todas las piezas y herrajes antes de empezar a armar el mueble.

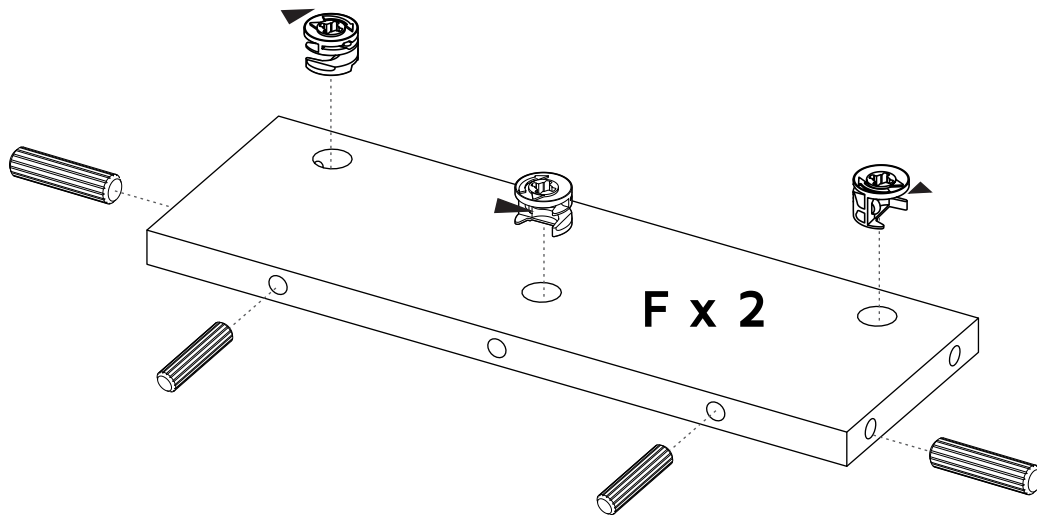
1



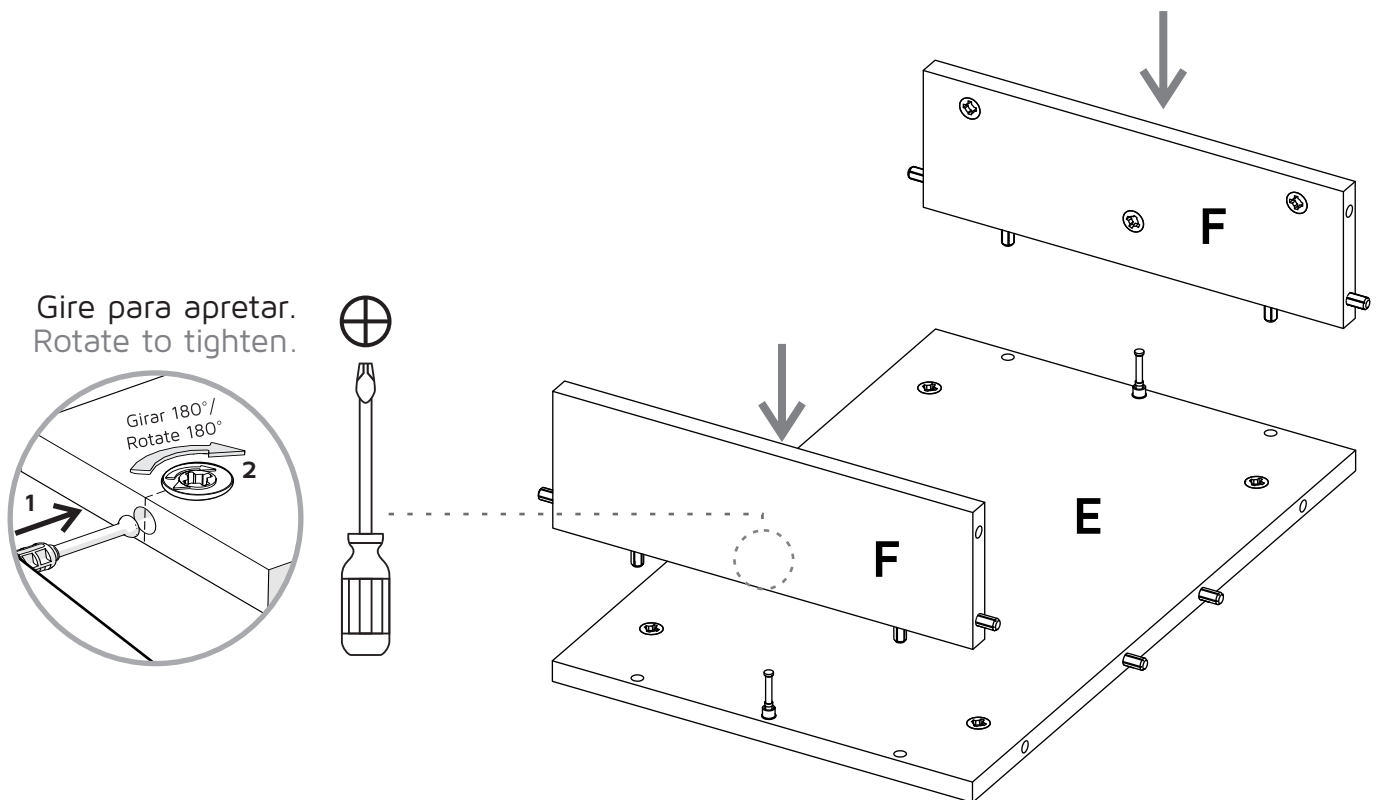
2



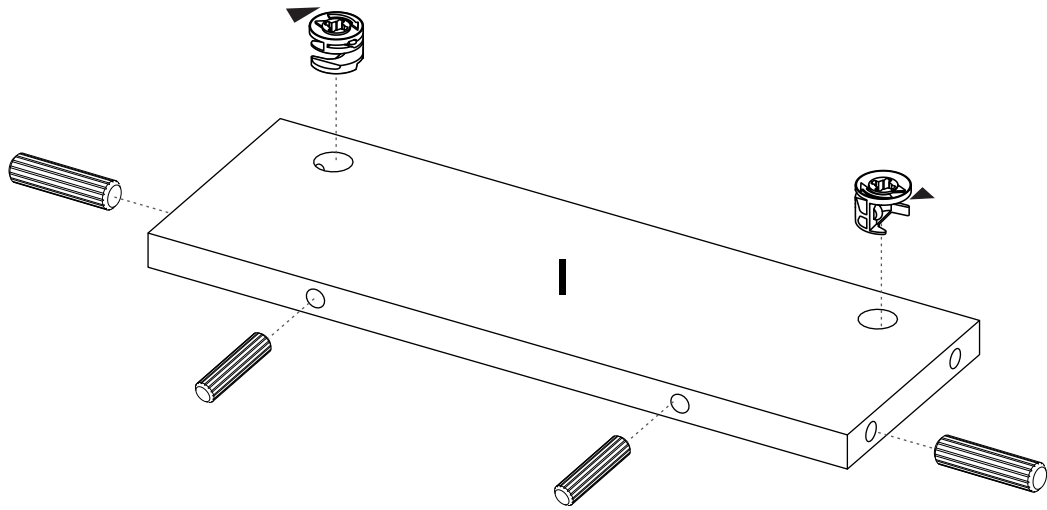
3



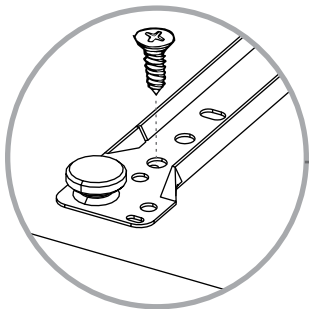
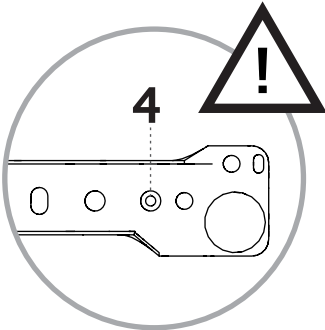
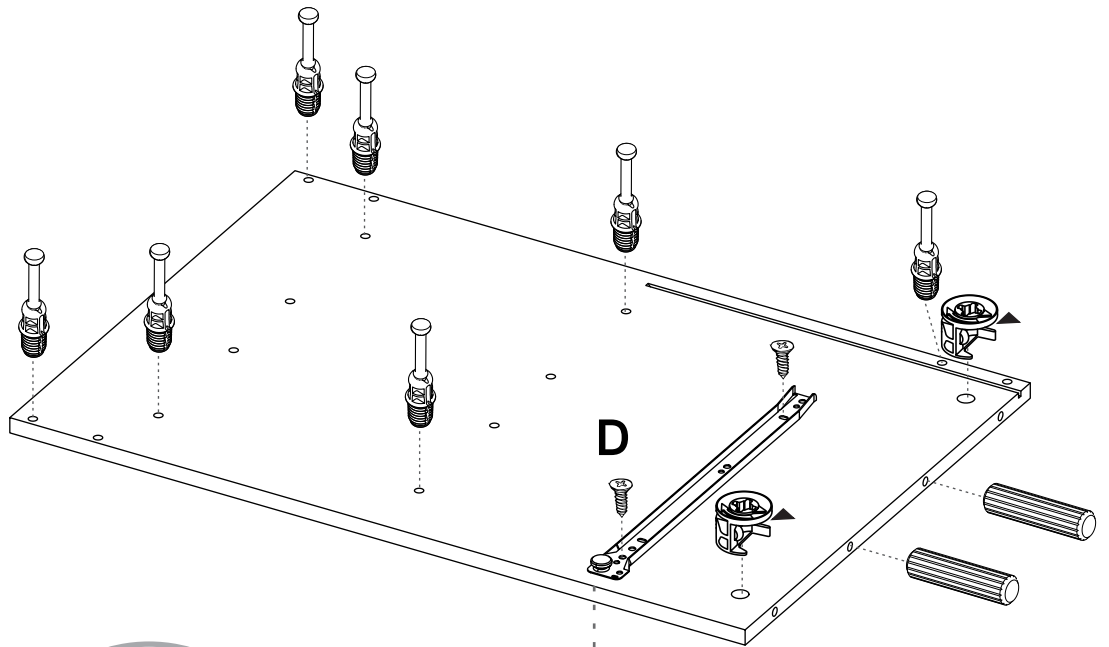
4



5

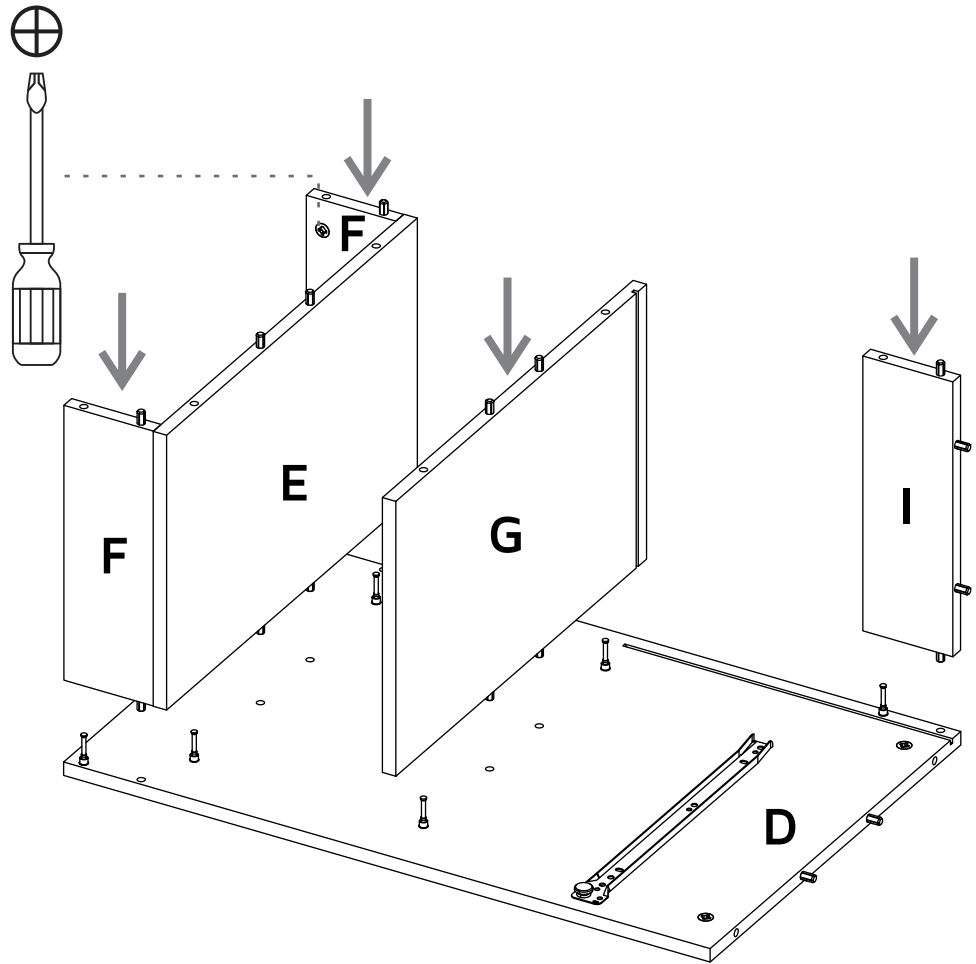
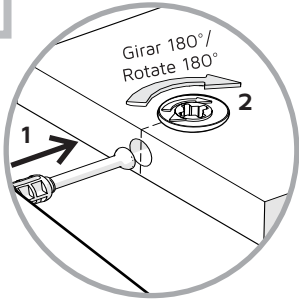


6

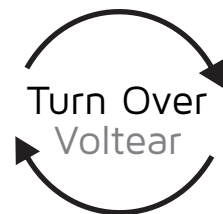
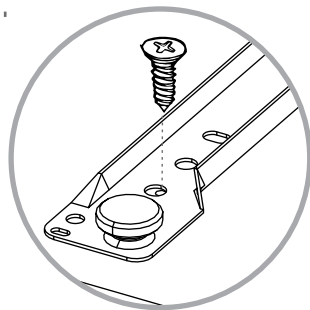
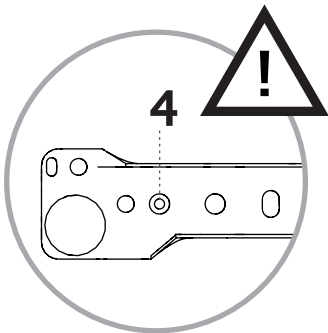
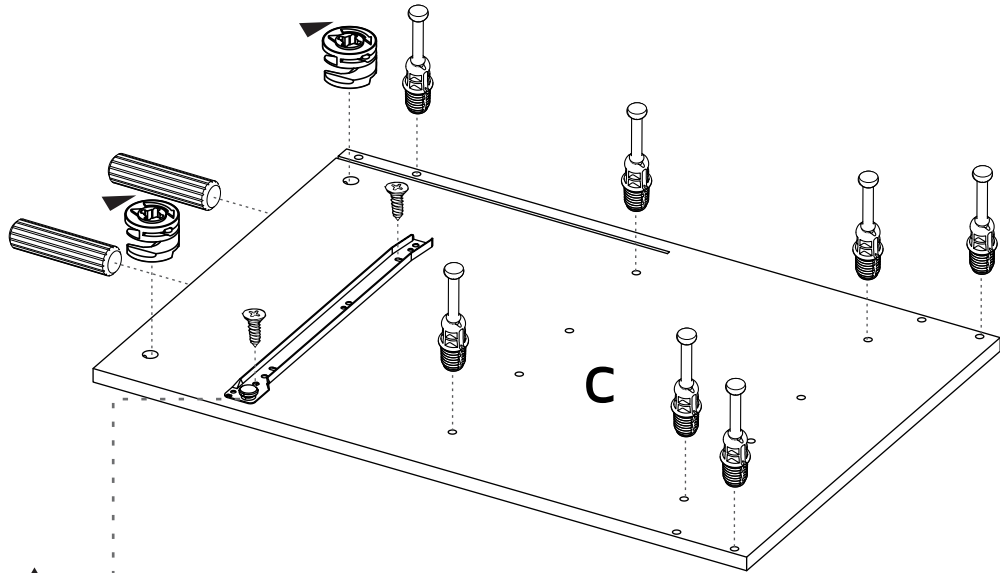


7

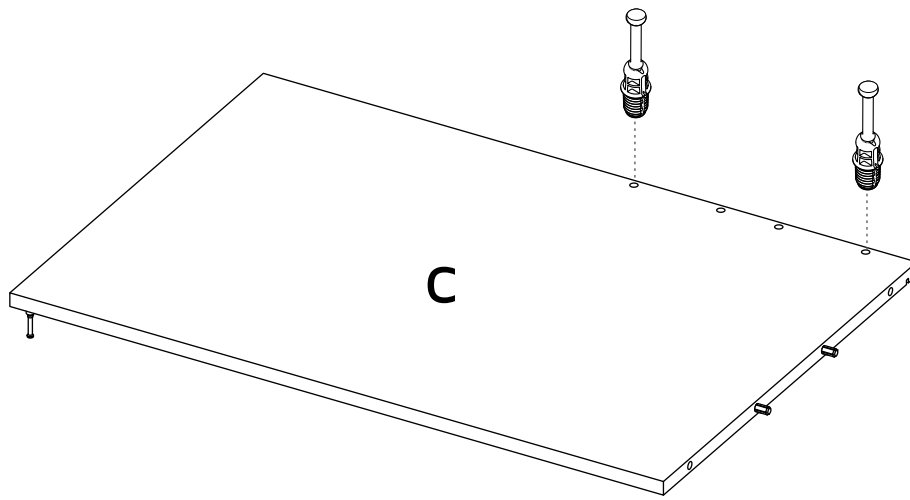
Gire para apretar.
Rotate to tighten.



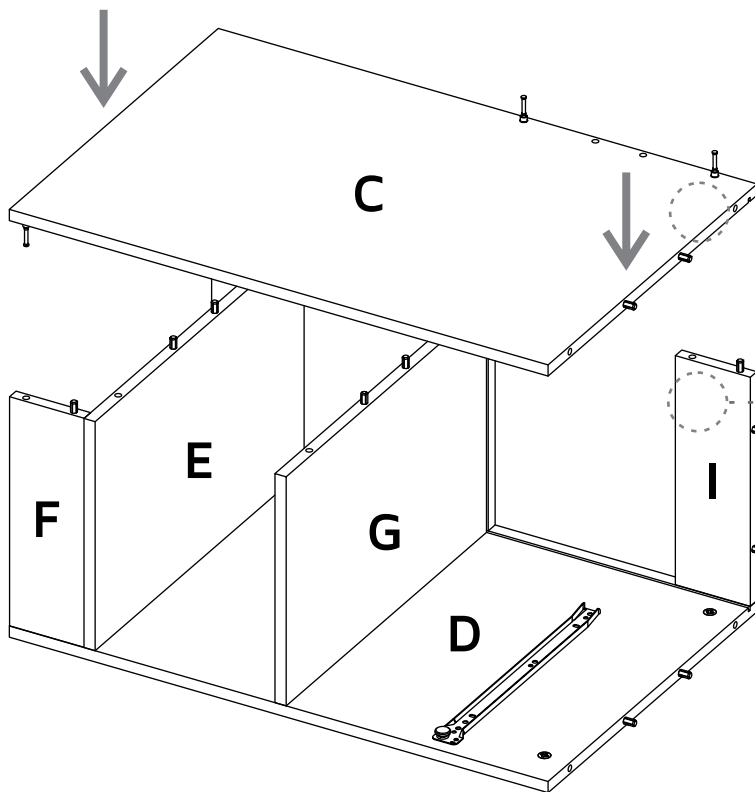
8



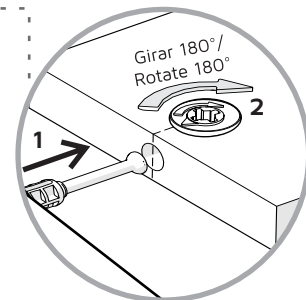
9



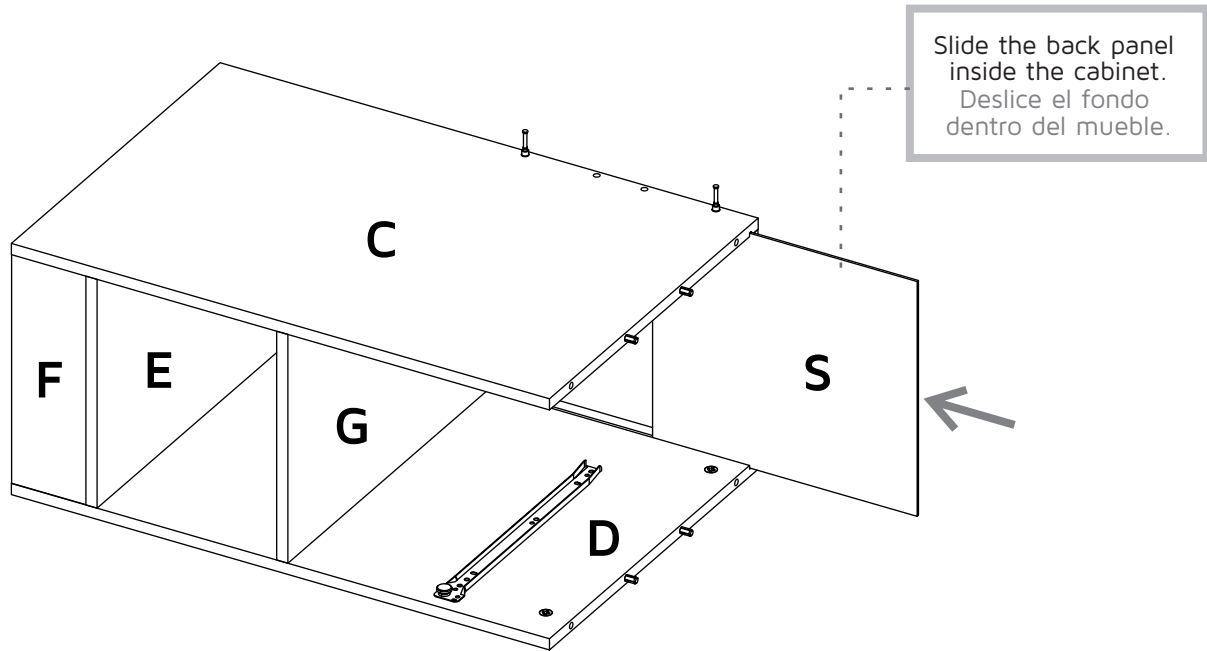
10



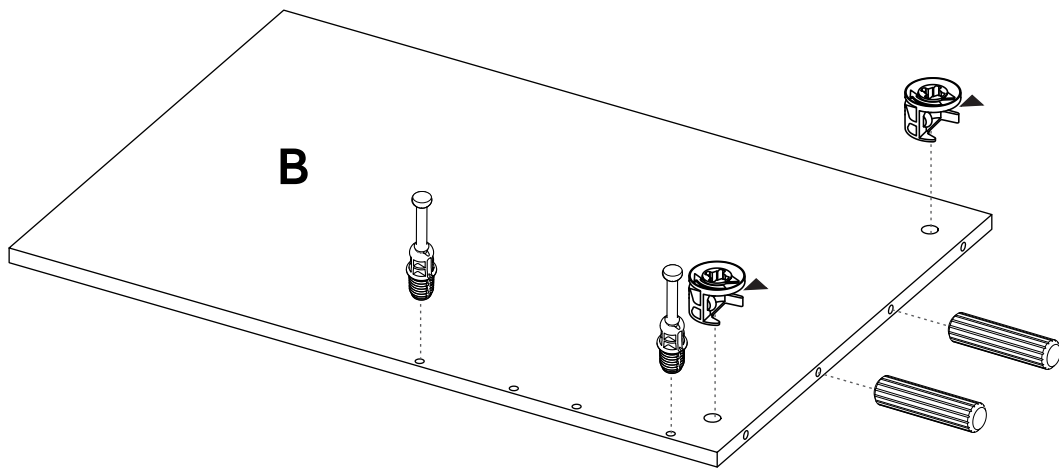
Gire para apretar.
Rotate to tighten.



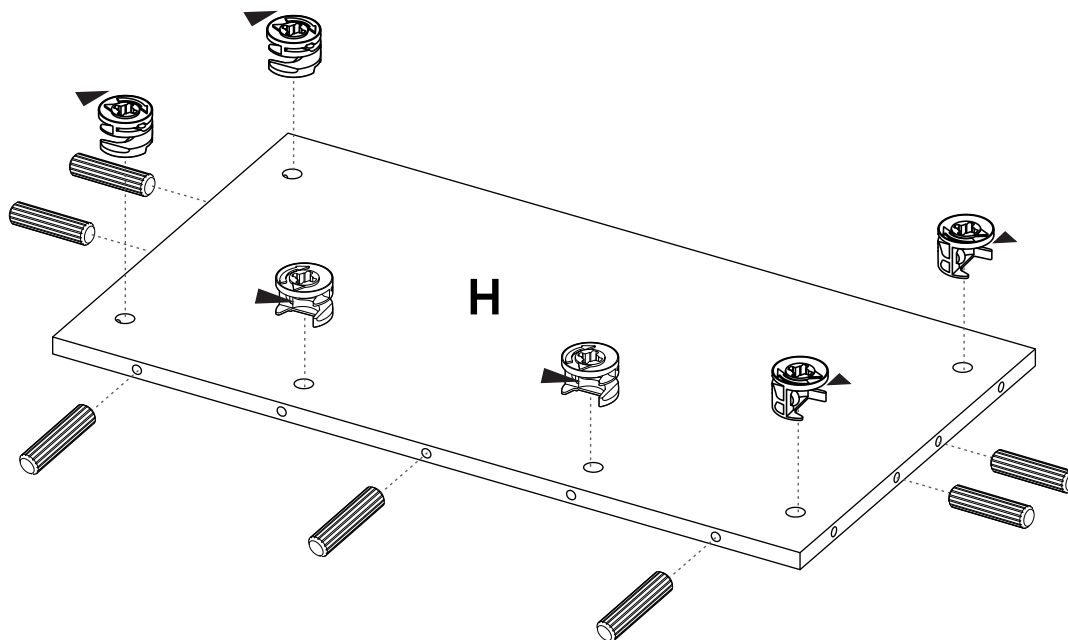
11



12

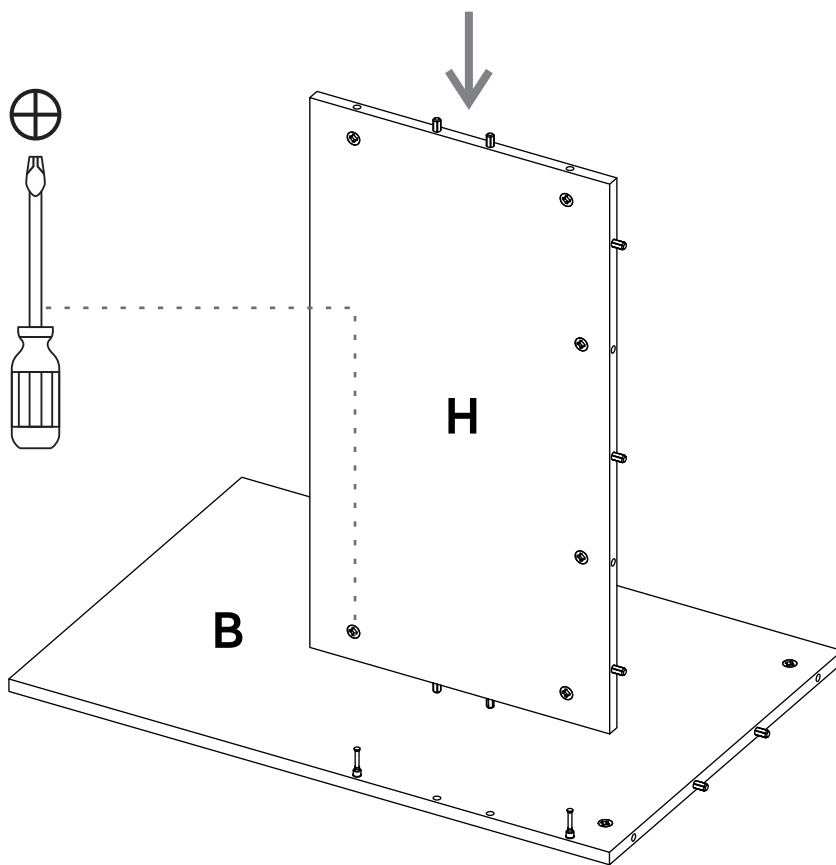
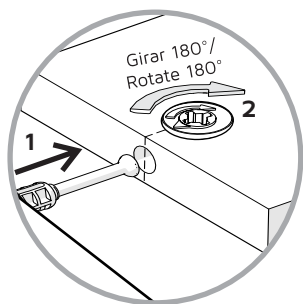


13

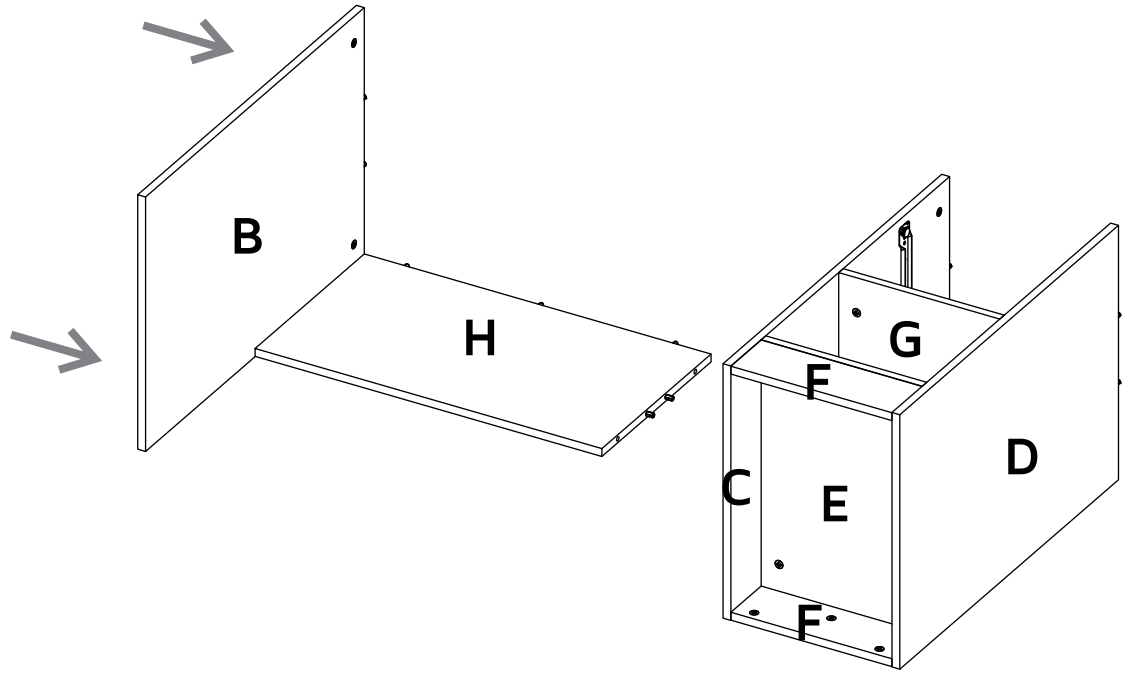


14

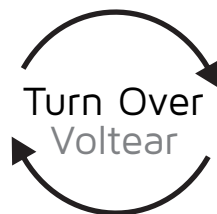
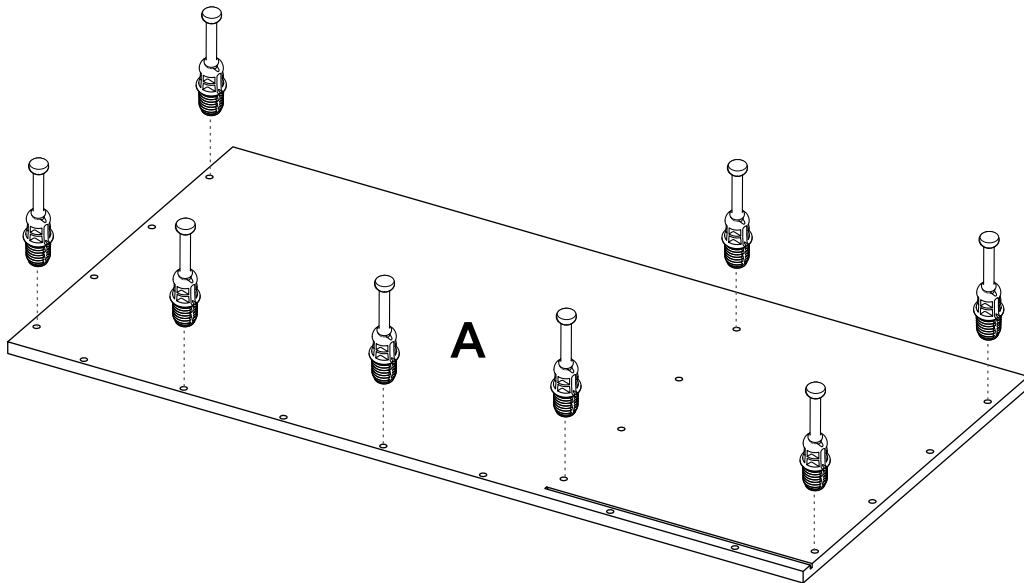
Gire para apretar.
Rotate to tighten.



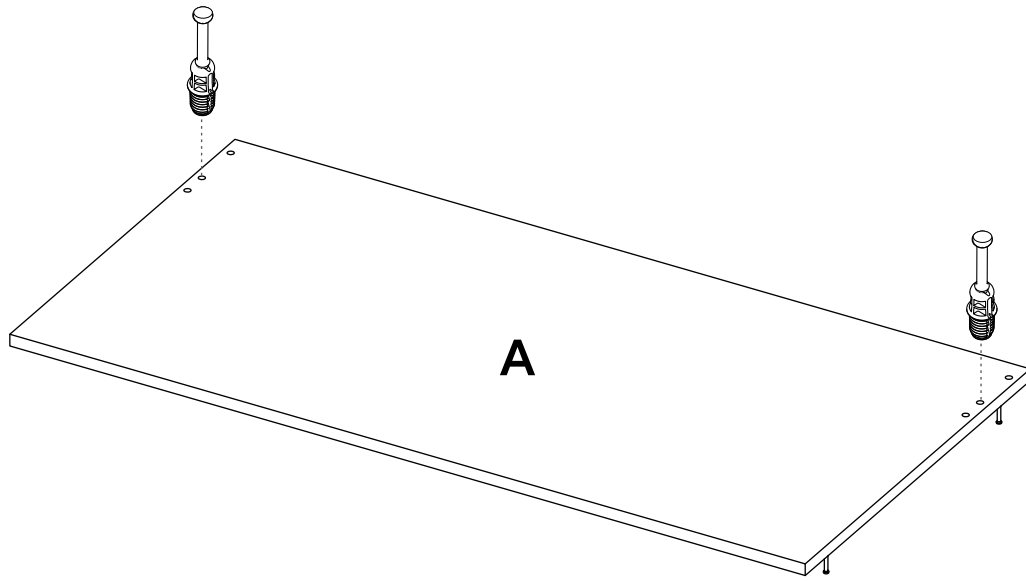
15



16



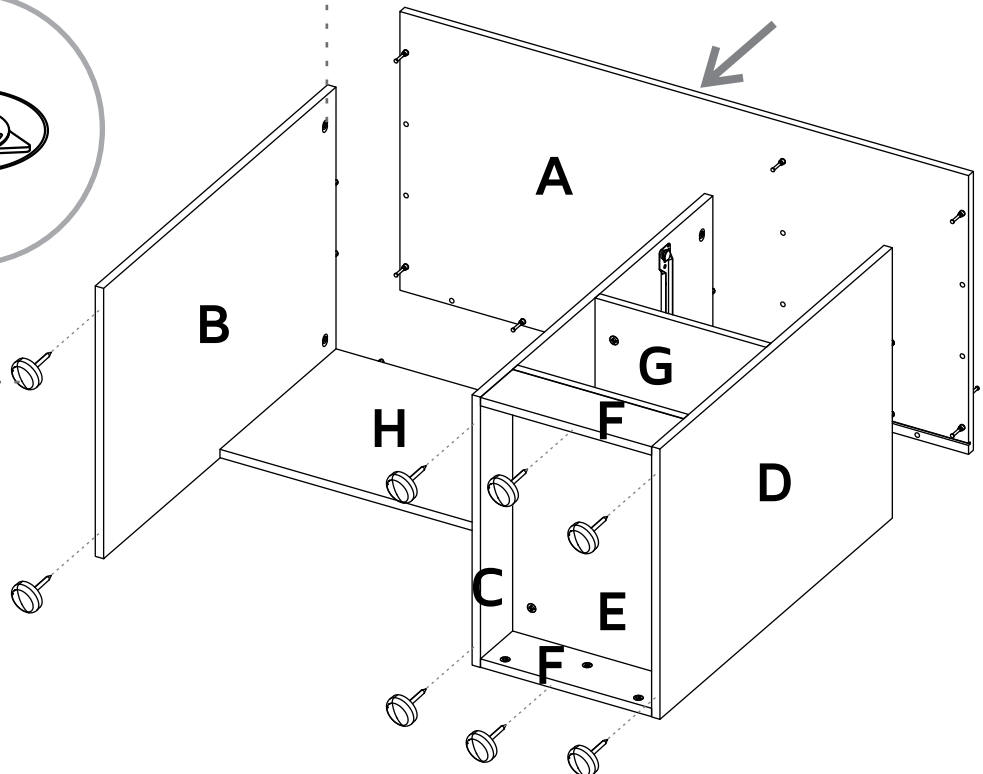
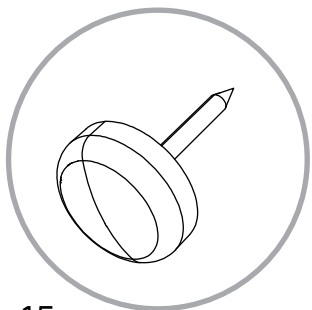
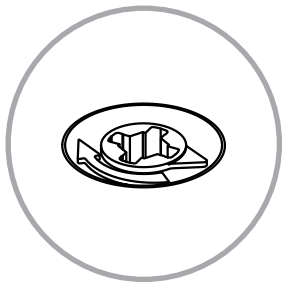
17



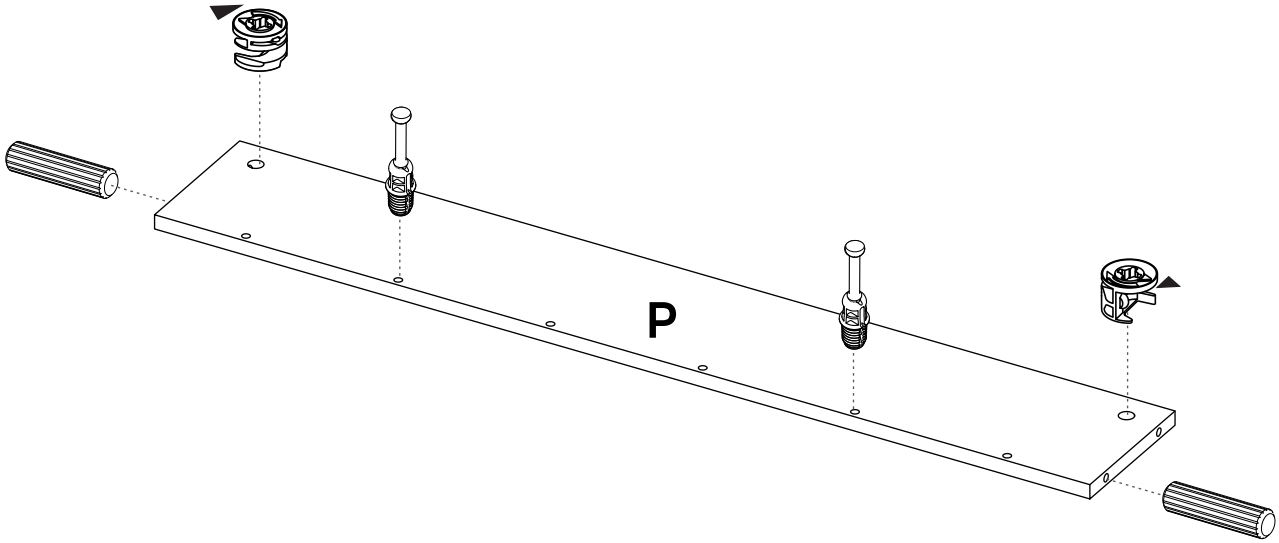
18



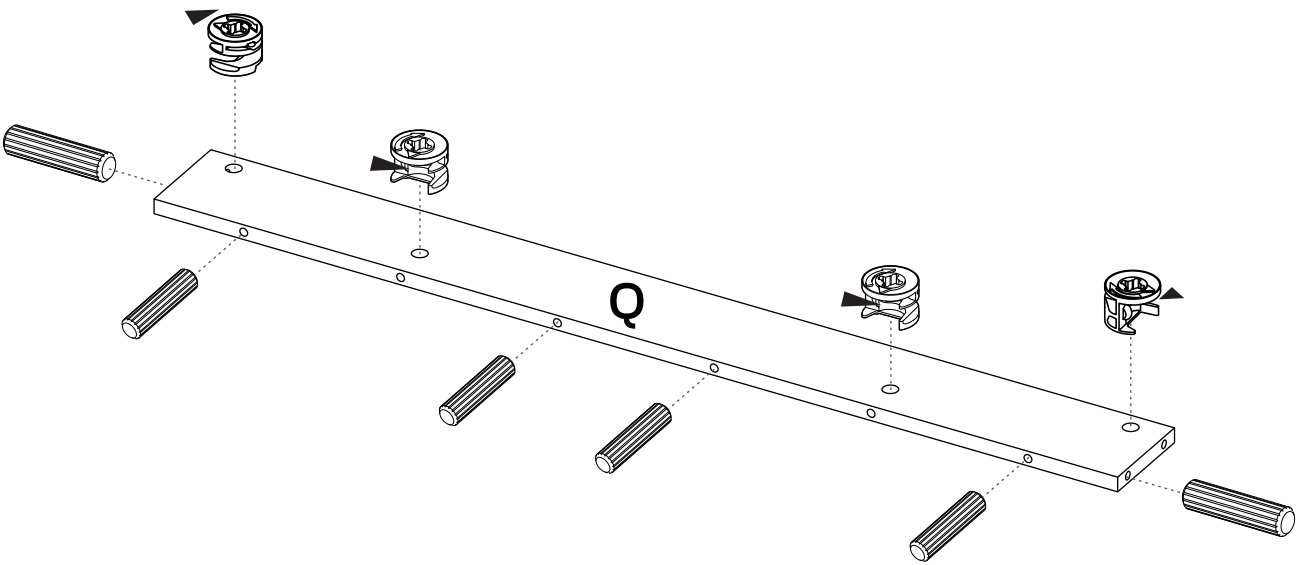
Gire para apretar.
Rotate to tighten.



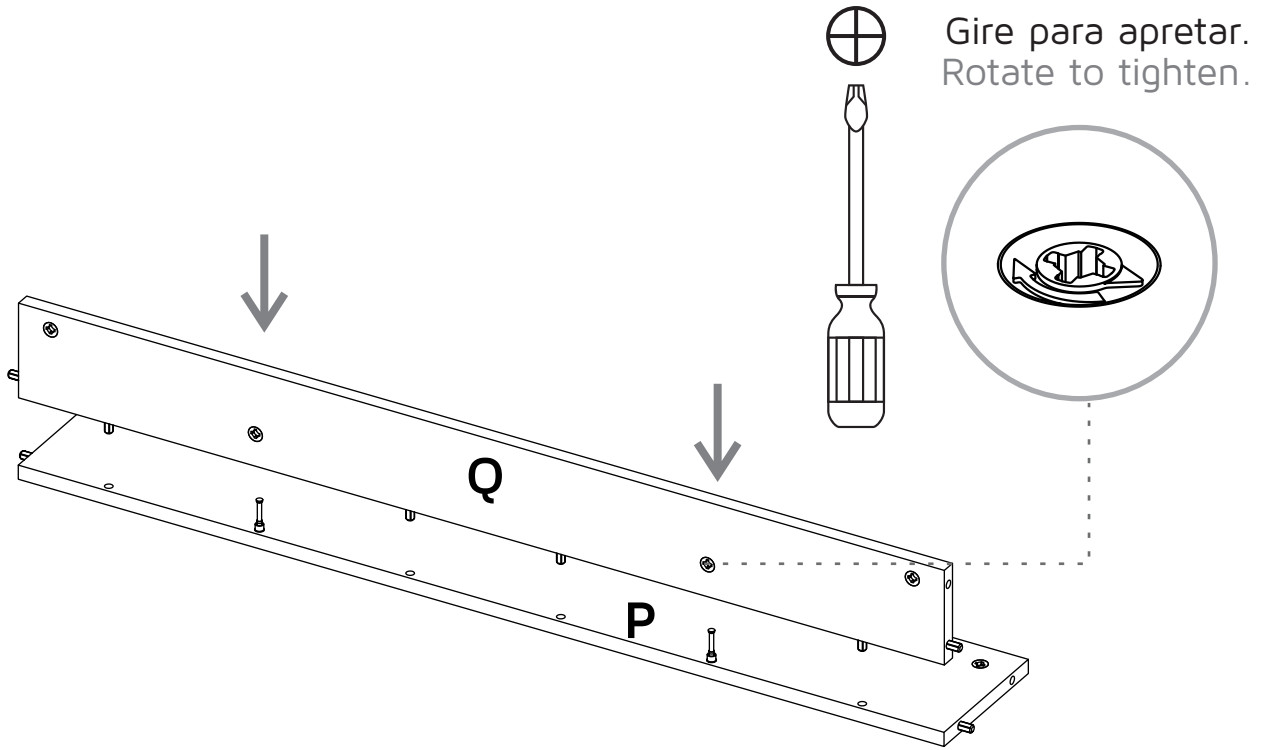
19



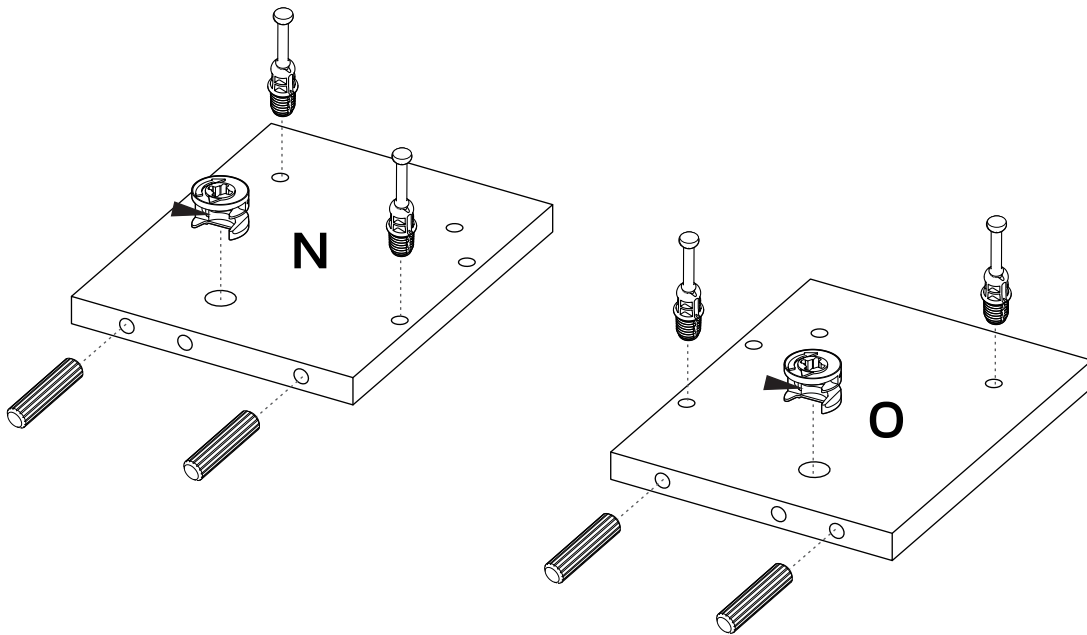
20



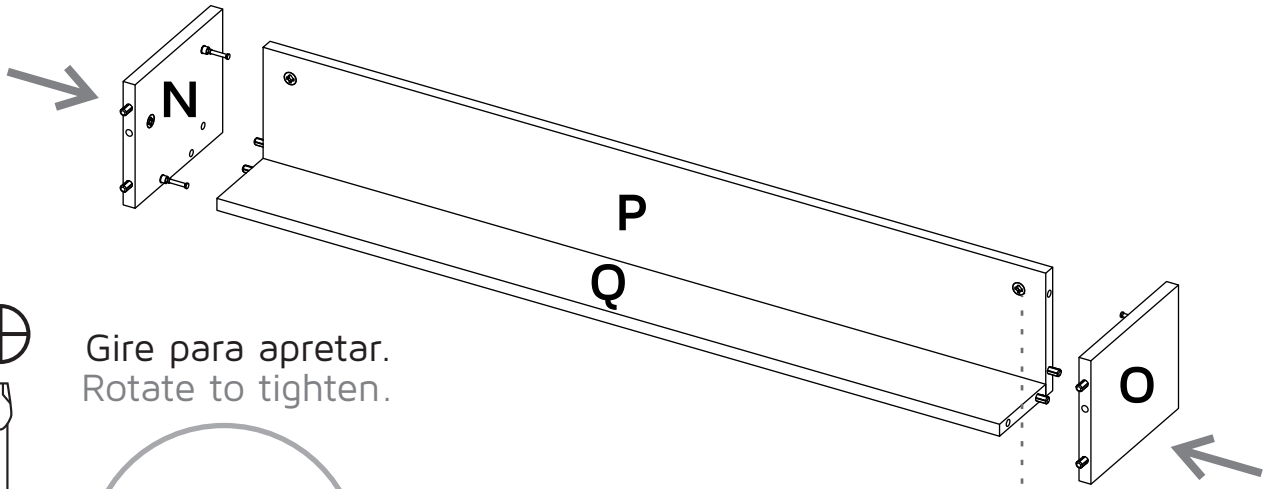
21



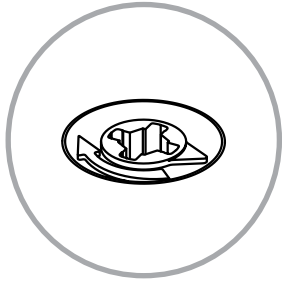
22



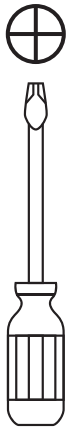
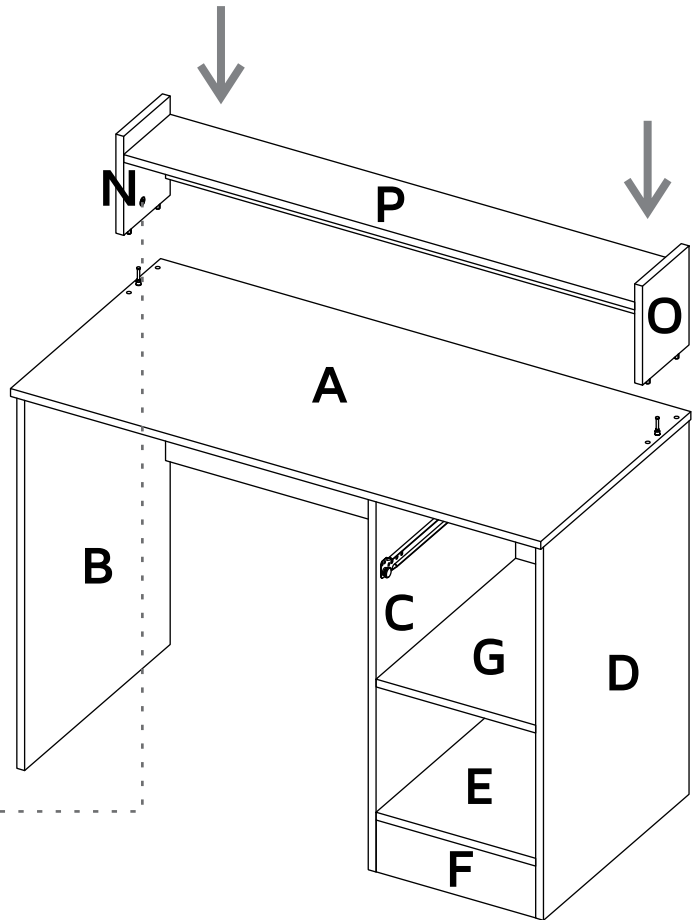
23



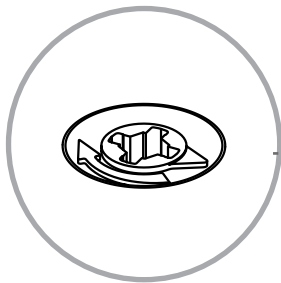
Gire para apretar.
Rotate to tighten.



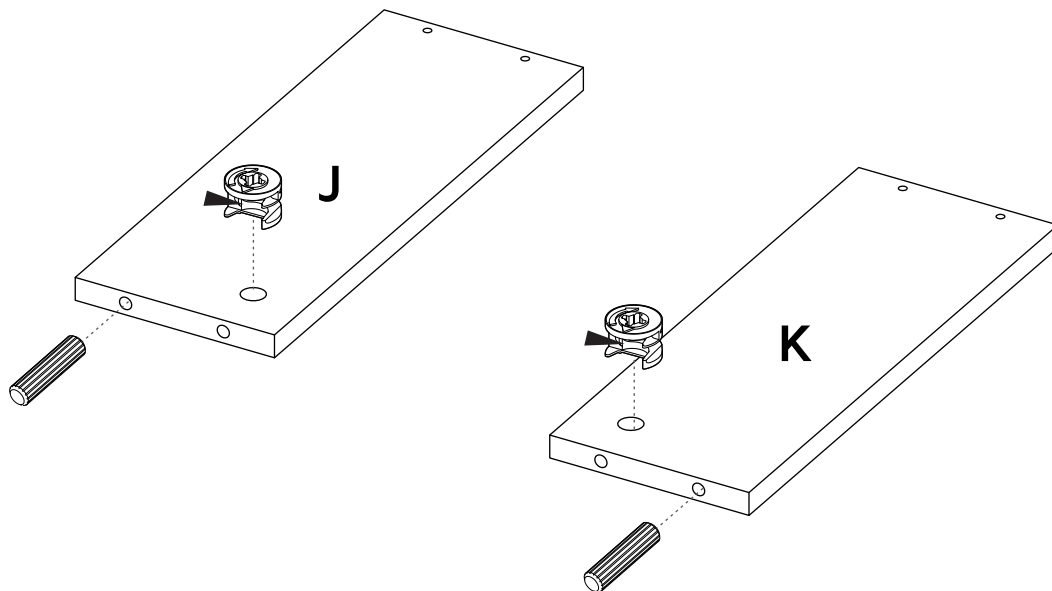
24



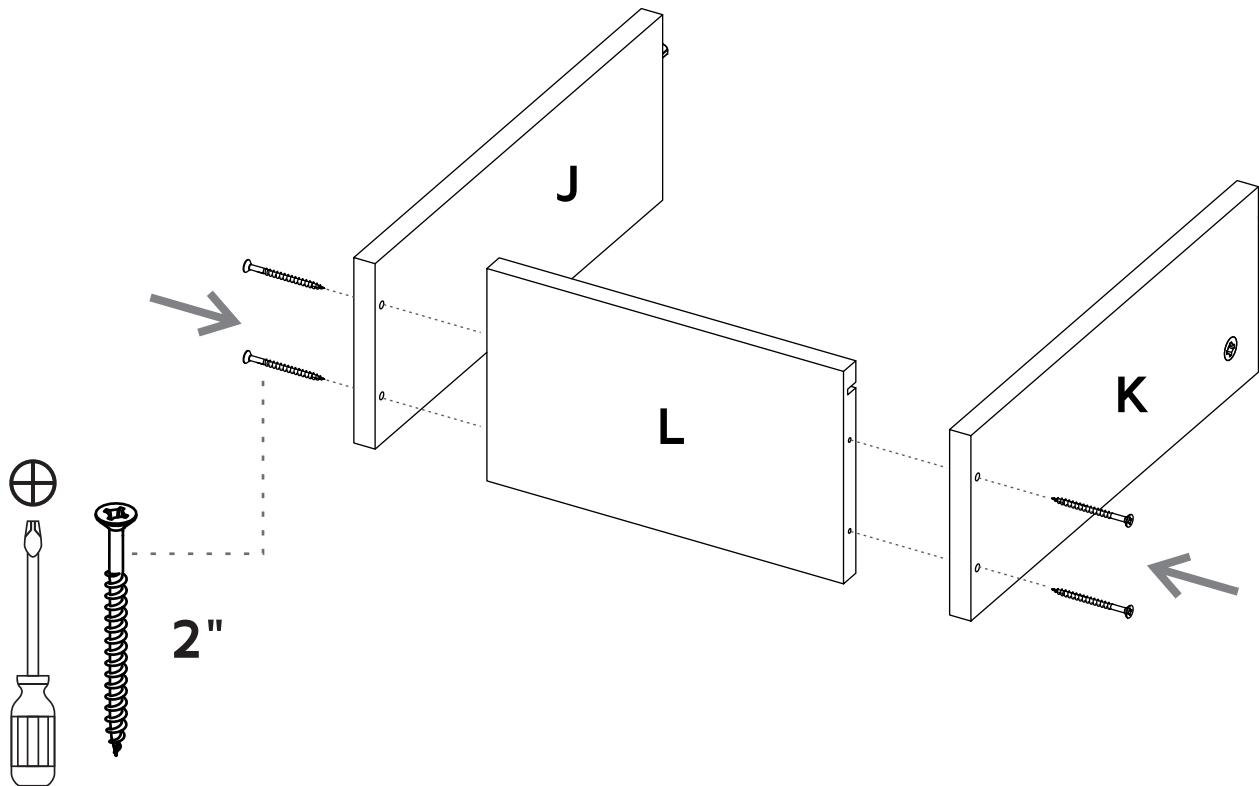
Gire para apretar.
Rotate to tighten.



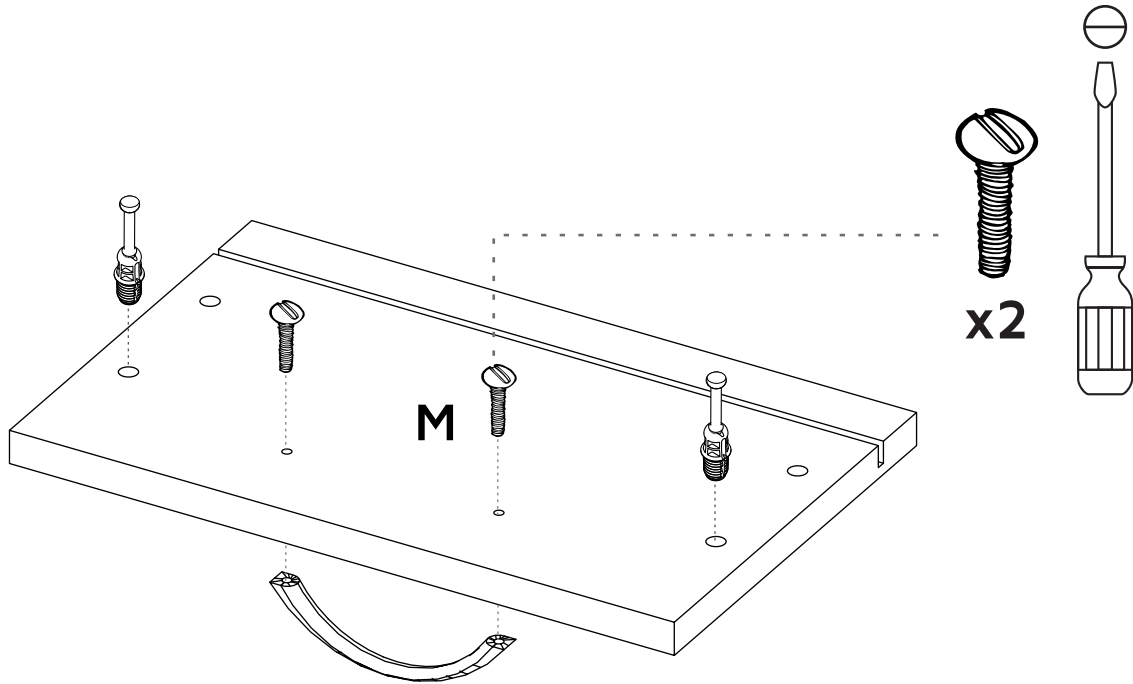
25



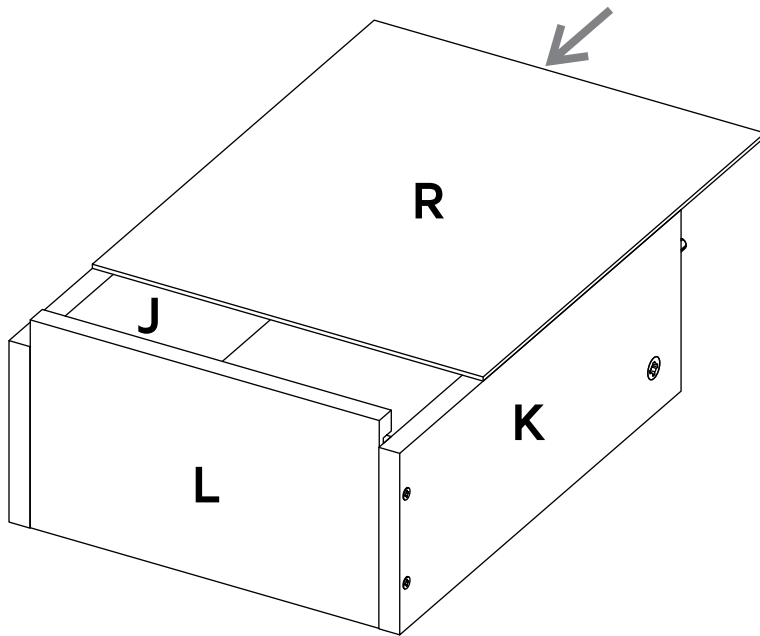
26



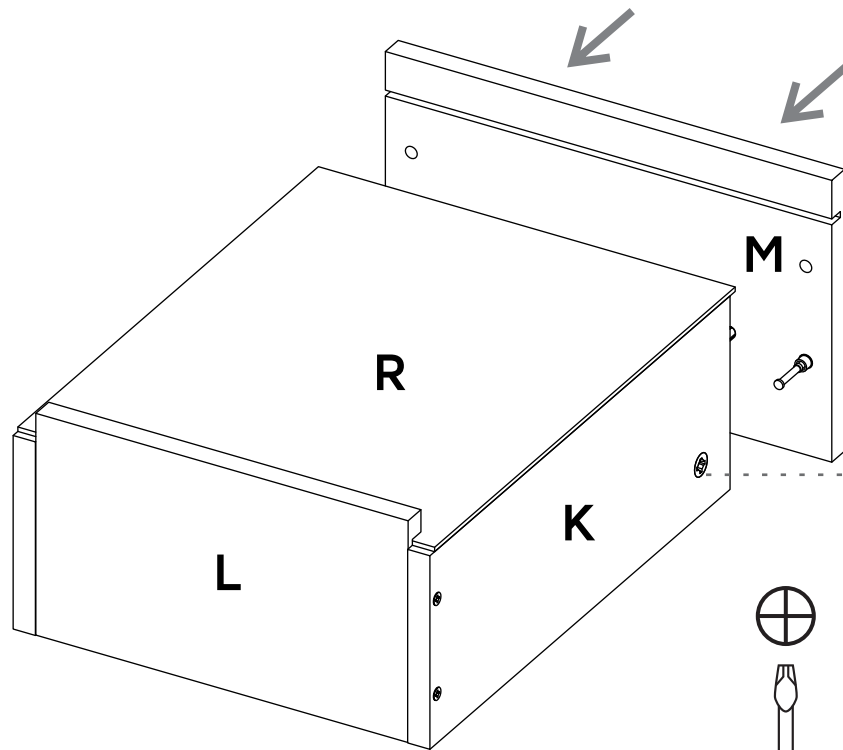
27



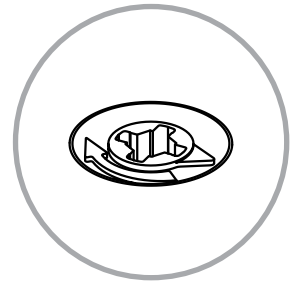
28



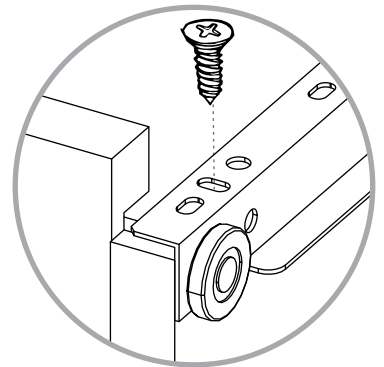
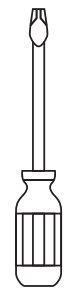
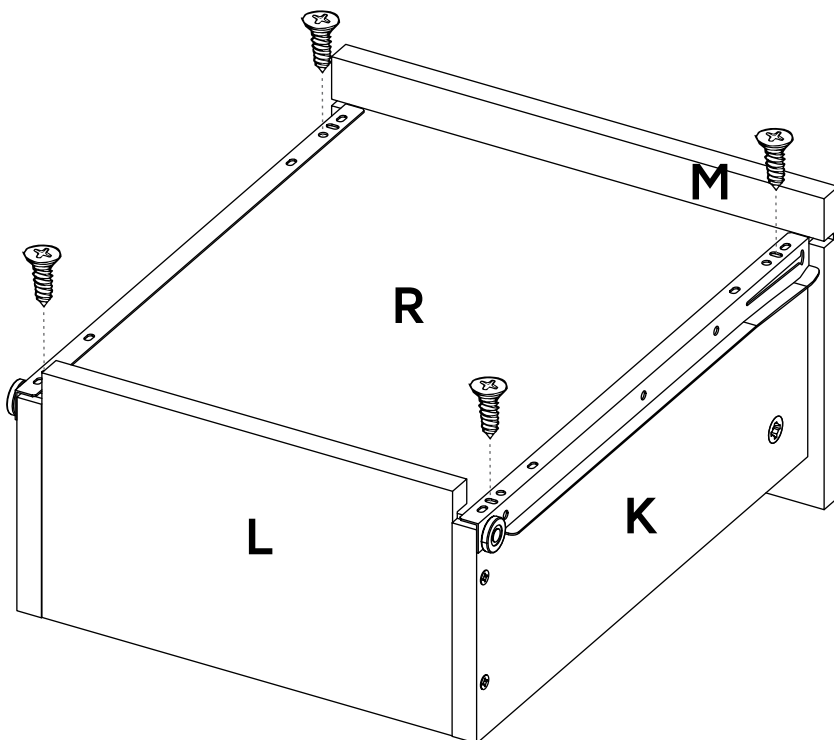
29



Gire para apretar.
Rotate to tighten.



30





For the user safety, it is recommended to anchor the furniture to the wall.

Por la seguridad del usuario se recomienda anclar el mueble a la pared.

-WARNING! TIPPING HAZARD - Unanchored furniture can tip over
-WARNING: CHECK FOR HIDDEN PIPES AND CABLES BEFORE DRILLING.
-IMPORTANT: IF YOUR WALLS ARE NOT SOLID LIKE BRICK OR STONE, YOU WILL REQUIRE SPECIALIST FITTINGS (NOT SUPPLIED)

-Pre-drill small pilot hole on the back edge of the furniture top using a 2mm drill bit. Attach the other end of the fixing strip to the back edge of the furniture top using the 15mm screw + washer and securely tighten.

-Place fixing strip against the wall and mark position for drilling hole.

-Drill hole in your wall to a depth of 30mm using a 6mm drill bit. If the surface of your wall is soft and crumbly, we would advise you to use a 5mm drill bit for a tighter fit.

-Insert plug into hole with end flush to the wall surface.

-Attach fixing strip to the wall using the 25mm screw + washer and securely tighten.

-¡ADVERTENCIA! PELIGRO DE VOLCAMIENTO - Los muebles no anclados a la pared pueden volcarse.

-¡ADVERTENCIA! Compruebe que no haya tubos o cables ocultos antes de perforar la pared.

-¡ADVERTENCIA!: Si sus paredes no son sólidas como ladrillo o concreto, necesitará anclaje especial (no suministrado).

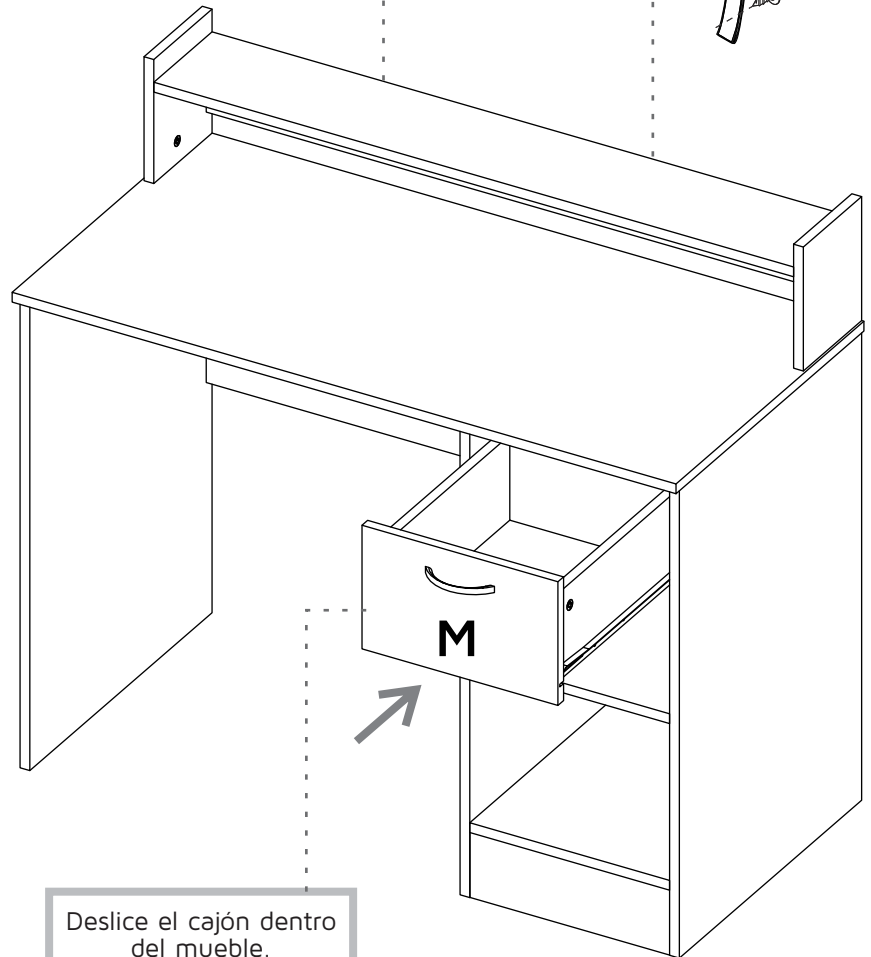
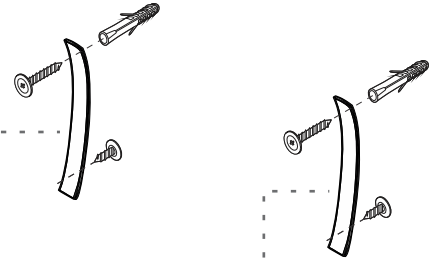
-Pre-taladre un pequeño orificio piloto en el borde posterior de la parte superior del mueble con una broca de 2mm. Fije el otro extremo de la tira de fijación al borde posterior del mueble con el tornillo de 15mm + arandela y apriete firmemente.

-Coloque la tira de fijación contra la pared y marque la posición para perforar.

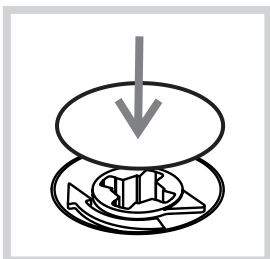
-Haga un agujero en la pared a una profundidad de 30mm con una broca de 6mm. Si la superficie de su pared es suave y desmoronadiza, le recomendamos que use una broca de 5mm para un ajuste más apretado.

-Inserte el chazo plástico en el orificio con el extremo al ras de la superficie de la pared.

-Fije la tira de fijación a la pared con el tornillo de 25mm + arandela y apriete firmemente.



Deslice el cajón dentro del mueble.
Slide the drawer inside the cabinet.



After you finish the adjustment of the cams, cover them with the cover caps.

Después de ajustar todas las cajas minifix, cúbralas con las tapas adhesivas.

A

After you finish assembling the cabinet, take off the adhesive letters.

Al terminar de armar, desprenda las letras adhesivas.

TUHOME Furniture has a 3 year warranty coverage in wooden parts and 1 year warranty coverage in hardware pieces since its manufacturing date, which you can see in the lot number printed on the product box and the assembly instructions leaflet.

Warranty covers materials and workmanship imperfections which impair the assembly or correct functioning of the cabinet.

This warranty is not valid if the defects or imperfections are caused by the incorrect following of the assembly instructions, warnings and recommendations, misuse, intentional damage, fire or flood, or after modifications or any kind of alteration, or repaired by someone not authorized by TUHOME Furniture, when it's been assembled 3 months after the date of purchase. These defects MUST be reported before the warranty coverage period ends. Once the product has been assembled, the company will not be responsible for defective and/or damaged parts.

This warranty is ONLY valid for the ORIGINAL PURCHASER, it doesn't apply if the product has been resold, rented, etc.

TUHOME Furniture will take no liability for incidental or consequential damages caused to or by the product (This may not apply in your state).

To make this warranty valid you must write to our customer service email describing the product defect, lot number and submitting your sales receipt or proof of purchase, or contact us at our customer service line. Replaced parts will be under the product's original warranty coverage period. Damaged parts will become property of the company.

There are no other warranties applicable to this product.

**IF ANY PARTS ARE BROKEN OR
MISSING PLEASE CONTACT US**
AT: 1-888-391-01-66 /
customerservicetuhome@rta.com.co
OUR CUSTOMER SERVICE TEAM WILL PROVIDE
YOU HELP TO RESOLVE ANY ISSUES IMMEDIATELY