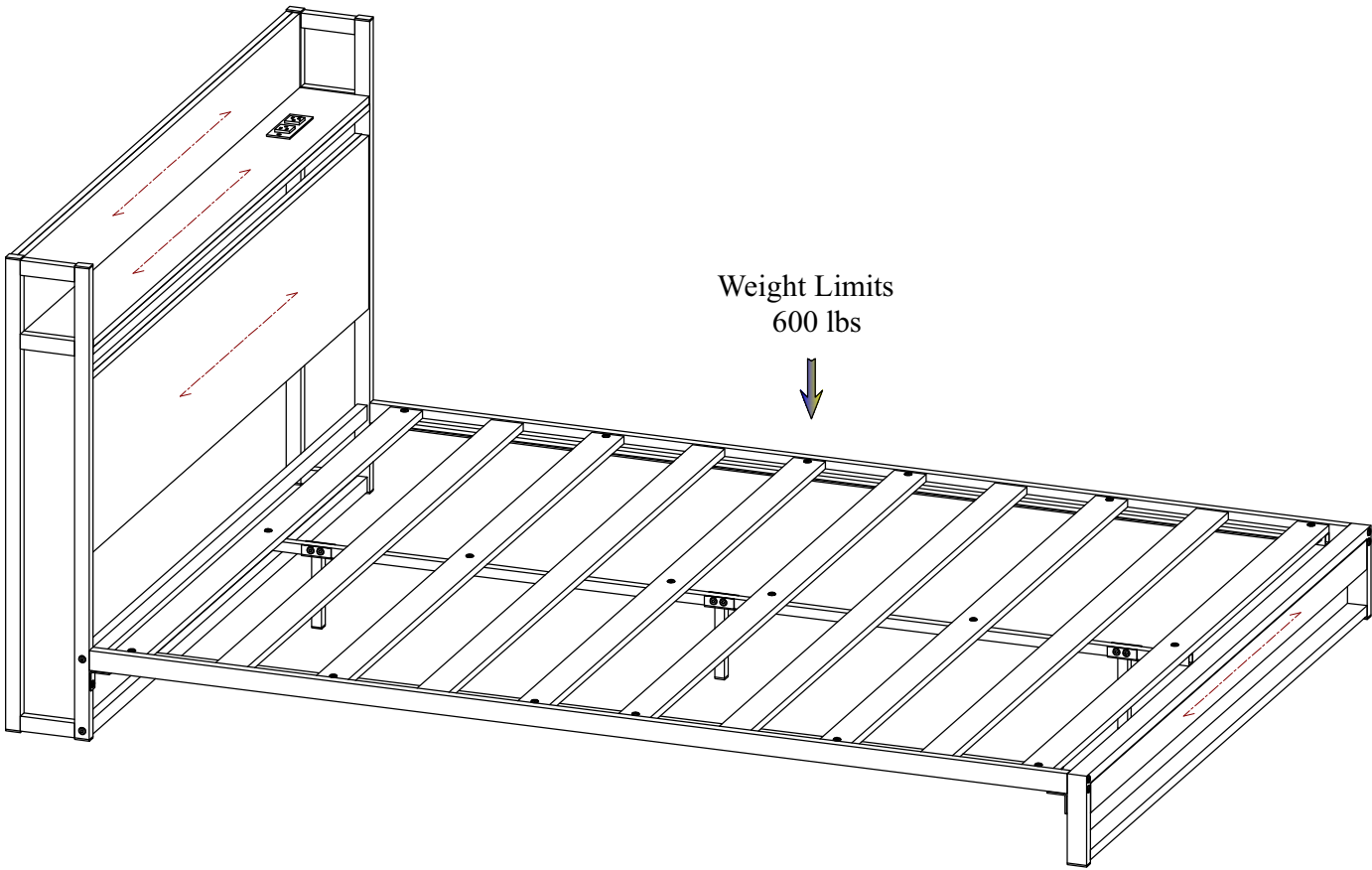


PLATFORM BED
ASSEMBLY INSTRUCTIONS
SKU: FU133Q-3



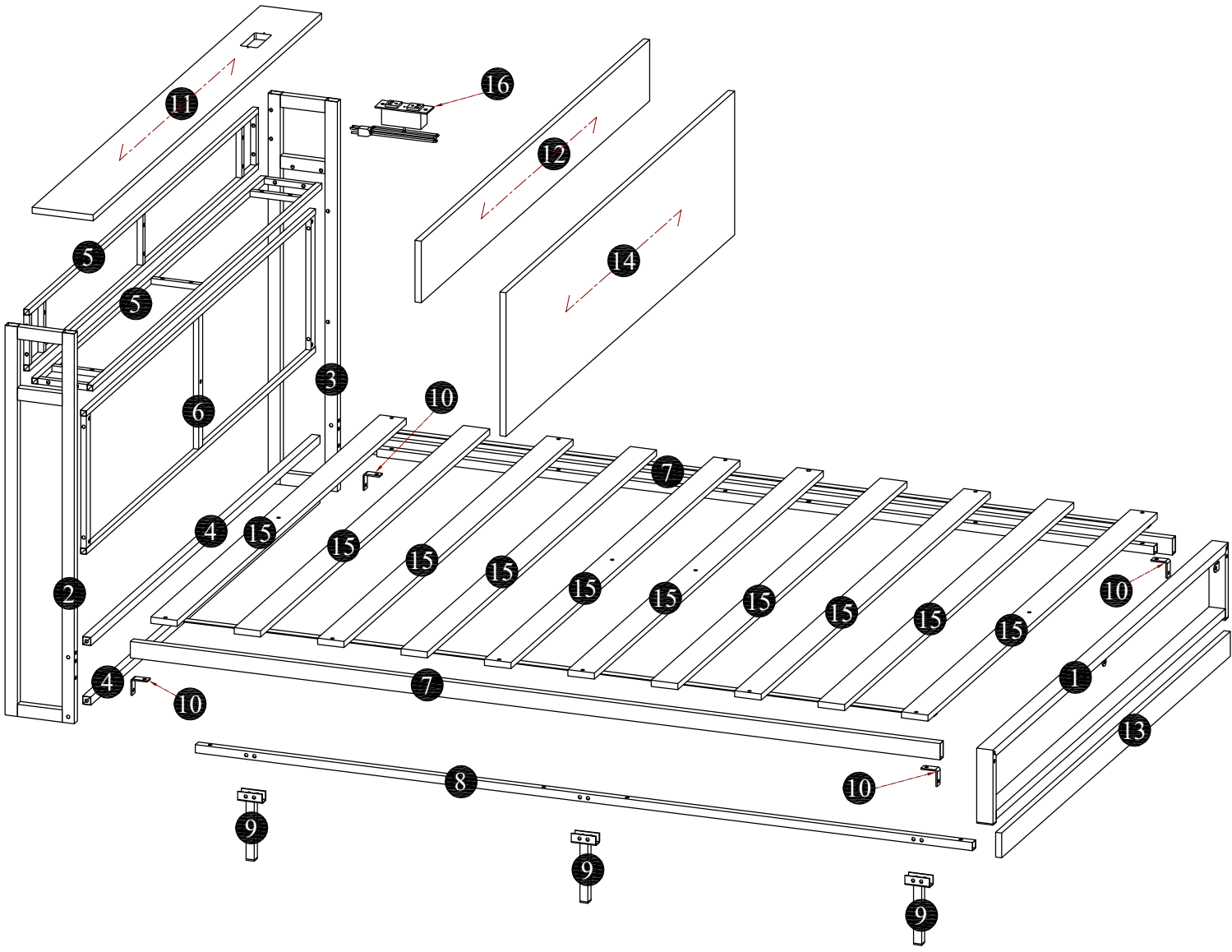
PLATFORM BED
ASSEMBLY INSTRUCTIONS
SKU: FU133Q-3

IMPORTANT SAFETY NOTICE: READ CAREFULLY BEFORE BEGINNING ASSEMBLY

1. Desiccant, Hardware packs and small components should be kept away from children, avoid eating and being injured
2. Please, follow the assembly steps in order.
3. Please, do not tighten any screw before each assembling unit is well placed AT appropriate position.
4. Please, make sure all components are locked firmly after assembly and before using 1 to avoid any potential safety hazard
5. Please, use this product correctly according to its purpose to avoid danger happened.
Attach the product to the wall for added security when necessary.
6. Please, do not stand on any component of this product, except the ladder after complete assembled.
7. If the wall fastening devices are essential parts of this product, please locked firmly to avoid any potential safety hazard before use.
8. Please check all contents of this product inside carton (s) carefully, small parts may have been lost during shipment, if any, please contact the retailer you purchased this product from to obtain hardware, do not use any substitute parts.
9. This assembly instructions booklet contains important safety information, please read carefully and keep for further reference.
10. The overall load-bearing capacity of the product is tested under the average applied force. Please avoid heavy pressure at a single point to avoid product damage.
product name: Bed overall loading: 600 lbs maximum
11. For the non-loading wooden parts (such as headboard, tailboard, bed side guard board ---etc.) of steel and wood combination furniture, please do not lock screw too firmly to avoid nuts loosening. The gap between wooden board and steel frame is normally about 2mm, please use the correct size tool to fasten
12. Please fasten the screws clockwise to the end within added 1/4 turn only, to avoid damage of related parts of wooden workingpieces.
13. Please do not climb or hang on product parts such as hanging ledgers, vertical columns and coast hanger to avoid danger.
14. If the upholstered board has been assembled in the steel frames already, please recheck and screw lightly again one by one after the whole product assemble is completed.
15. This product can be disassembled into independent single beds to be used respectively
16. EVA plastic elastic strip, as one of the main assembly parts for anti-noise products, please trim the length in accordance with the length of the pasted workpiece
17. As for the Plug and wire have to top through the wooden board frist, please once more confirm "whether wooden board facing is correct" to avoid The leaf spring mode of electronic socket outlet is placed in the wrong direction and that is not easy to take out after putting in
18. The fabric cover of box Spring bed frame has direction indicating label. Please place it in the direction corresponding with the workpiece according to the assembly manual (AI) of this product to avoid wrong operation
19. **Warning:** To avoid the danger of suffocation, keep this plastic bag away from babies and children. Do not use this bag in cribs, beds, carriages, or playpens. This bag is not a toy.
20. There will be an appropriate gap between the latches (part---) and the corresponding workpieces, which is a normal appearance and that does not affect the safety of use. Please rest assured to use
21. Advising the owner to tighten the nuts on bolts flush to the tube (or member) and that caps which go over the exposed bolts shall be put on snug to the nut
22. High beds and the upper bed of bunk beds are not suitable for children under 6 years old due to the risk of injury from falls
23. Children can become trapped between the bed and the wall, a roof pitch, the ceiling, adjoining pieces of furniture (e.g. cupboards) and the like. To avoid risk of serious injury the distance between the top safety barrier and the adjoining structure shall not exceed 75mm or shall be more than 230mm
used in which parts list has slat locker
24. Plastic slat locker with high tightness can reduce the noise, , it takes more time to set up, please according to the needs of the user

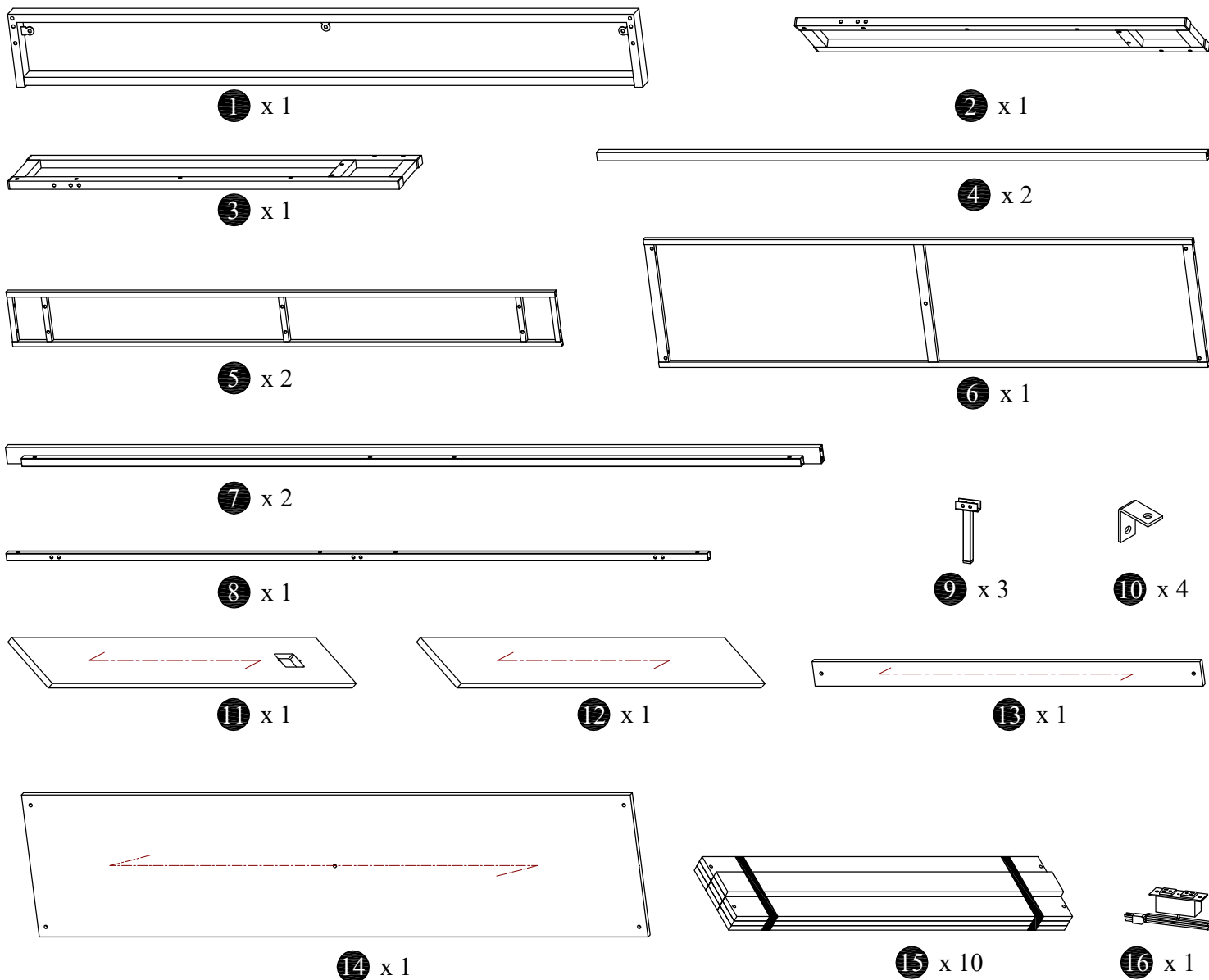
PLATFORM BED
ASSEMBLY INSTRUCTIONS
SKU: FU133Q-3

DETAIL VIEW



PLATFORM BED
ASSEMBLY INSTRUCTIONS
SKU: FU133Q-3

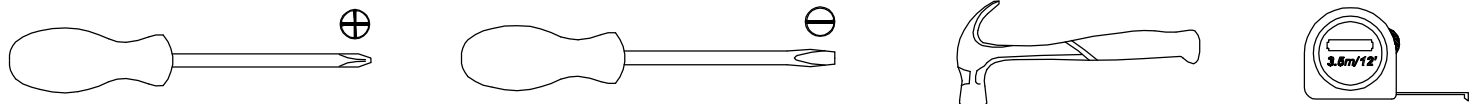
PART LIST



HARDWARE LIST

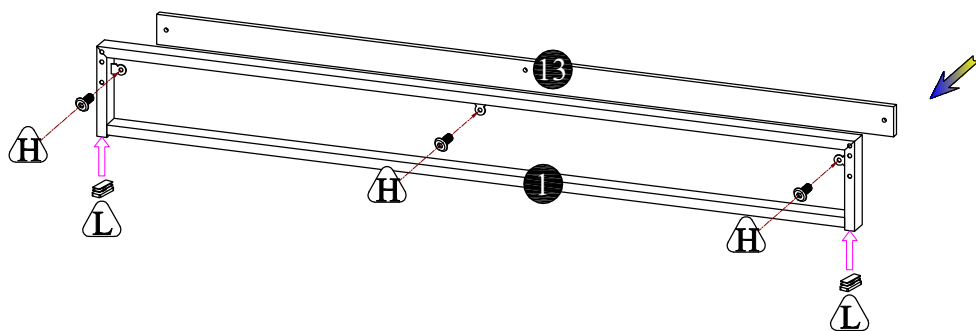
1/4" x 55 8 PCS	1/4" x 50 4 SETS	1/4" x 40 8 PCS	1/4" x 35 6 SETS	1/4" x 30 8 PCS	1/4" x 25 25 PCS	1/4" x 15 8 PCS	1/4" x 12 3 PCS	#4 x 15 2 PCS	20" x 40" x 10 2 PCS	20" x 30" x 10 8 PCS	20" x 20" x 10 3 PCS	4x60 2 PCS	10x60 1 PCS
--------------------	---------------------	--------------------	---------------------	--------------------	---------------------	--------------------	--------------------	------------------	-------------------------	-------------------------	-------------------------	---------------	----------------







TOOLS REQUIRED FOR ASSEMBLY (NOT INCLUDED)
HERRAMIENTAS REQUERIDAS PARA EL ENSAMBLAJE (NO INCLUIDAS)
OUTILS NÉCESSAIRES À L'ASSEMBLAGE (NON INCLUS)



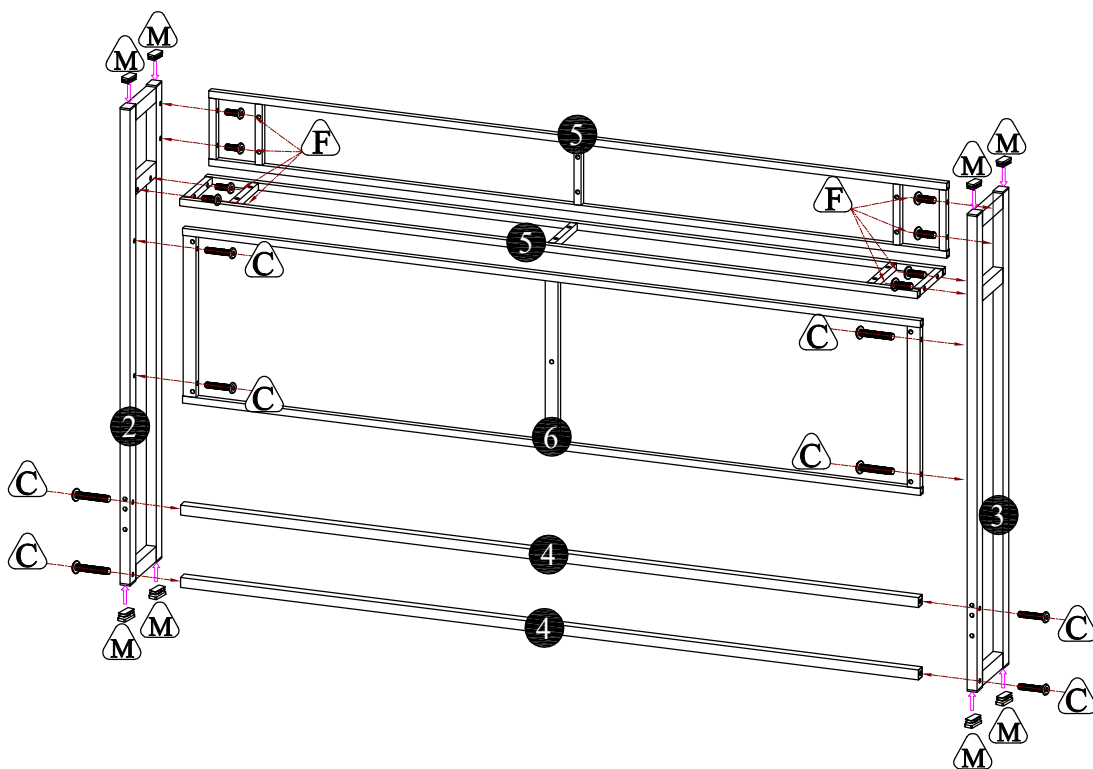
PLATFORM BED
 ASSEMBLY INSTRUCTIONS
 SKU: FU133Q-3


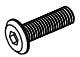






STEP 1



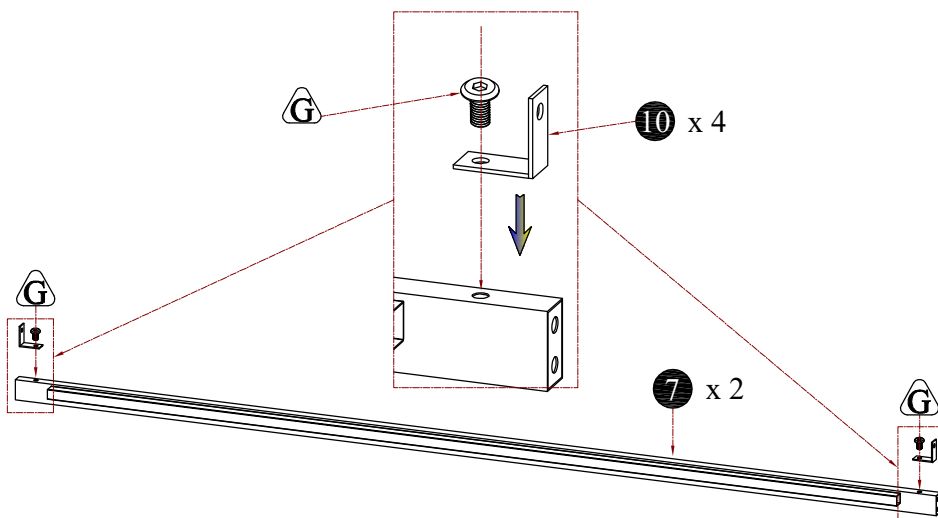
-  
20*40x10
2 PCS
-  
1/4"*12
3 PCS
-  
4x60
2 PCS





STEP 2



-  
1/4"*25
8 PCS
-  
1/4"*40
8 PCS
-  
20*30x10
8 PCS
-  
4x60
2 PCS

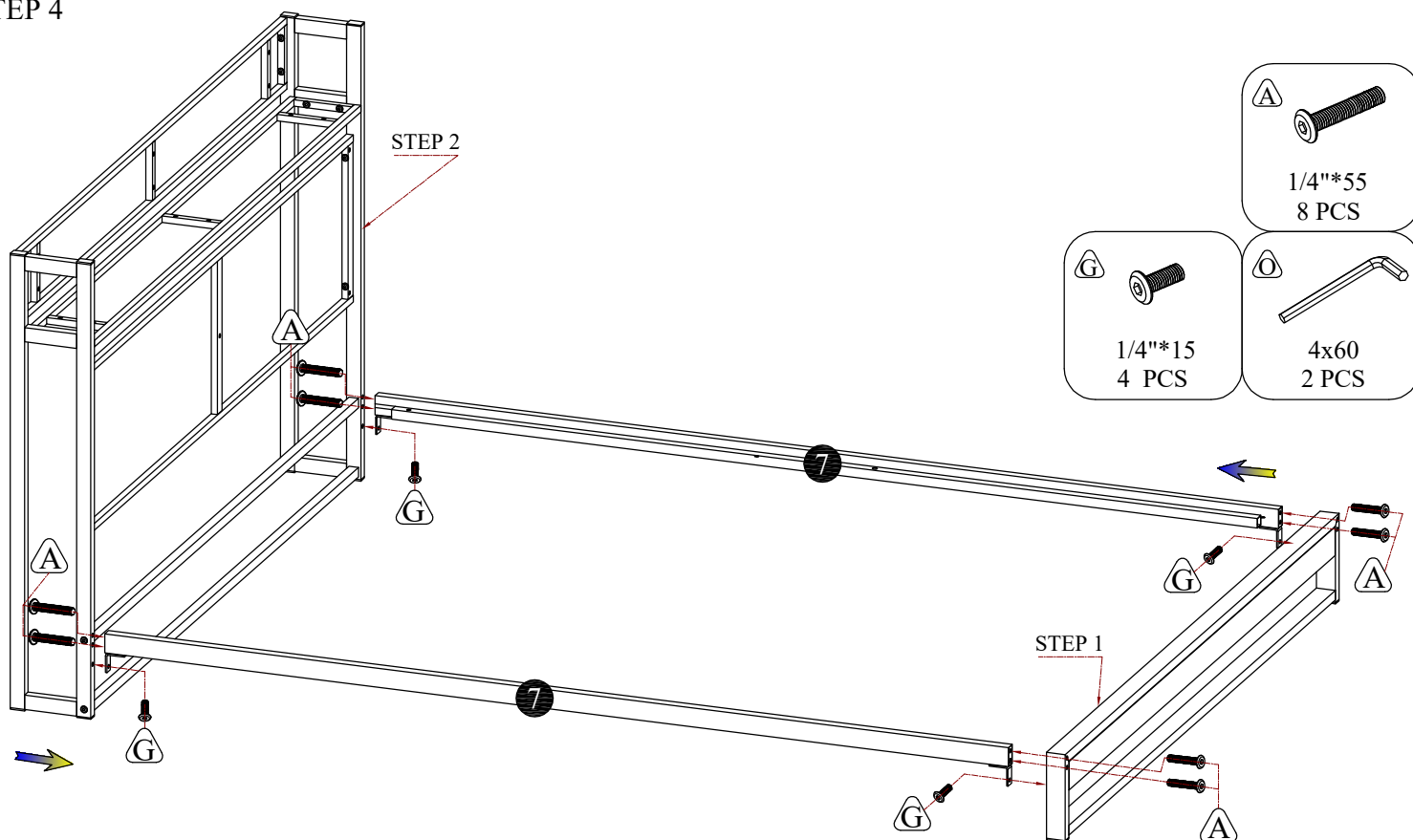
STEP 3



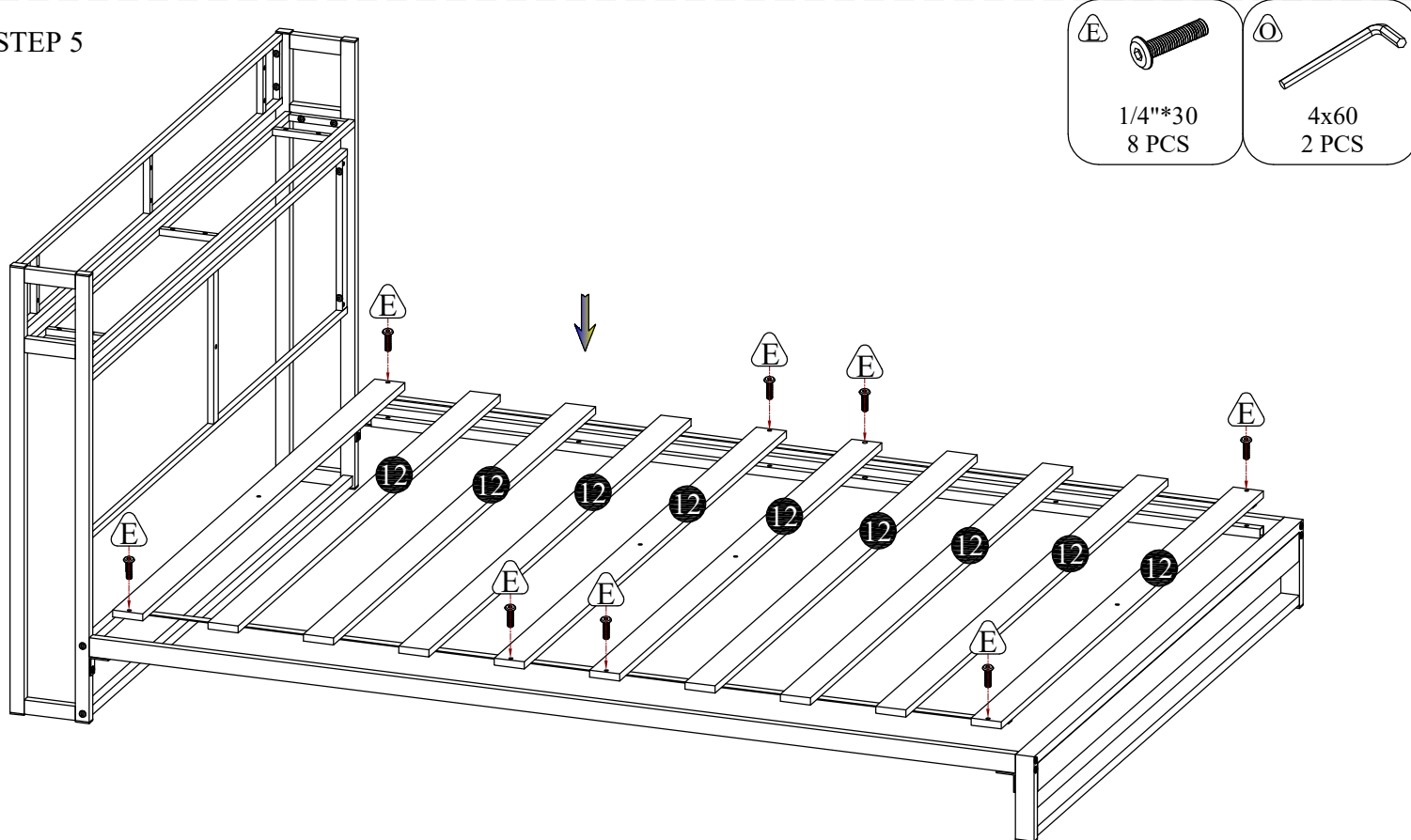
-  
4x60
2 PCS
-  
1/4"*15
4 PCS

PLATFORM BED
ASSEMBLY INSTRUCTIONS
SKU: FU133Q-3

STEP 4

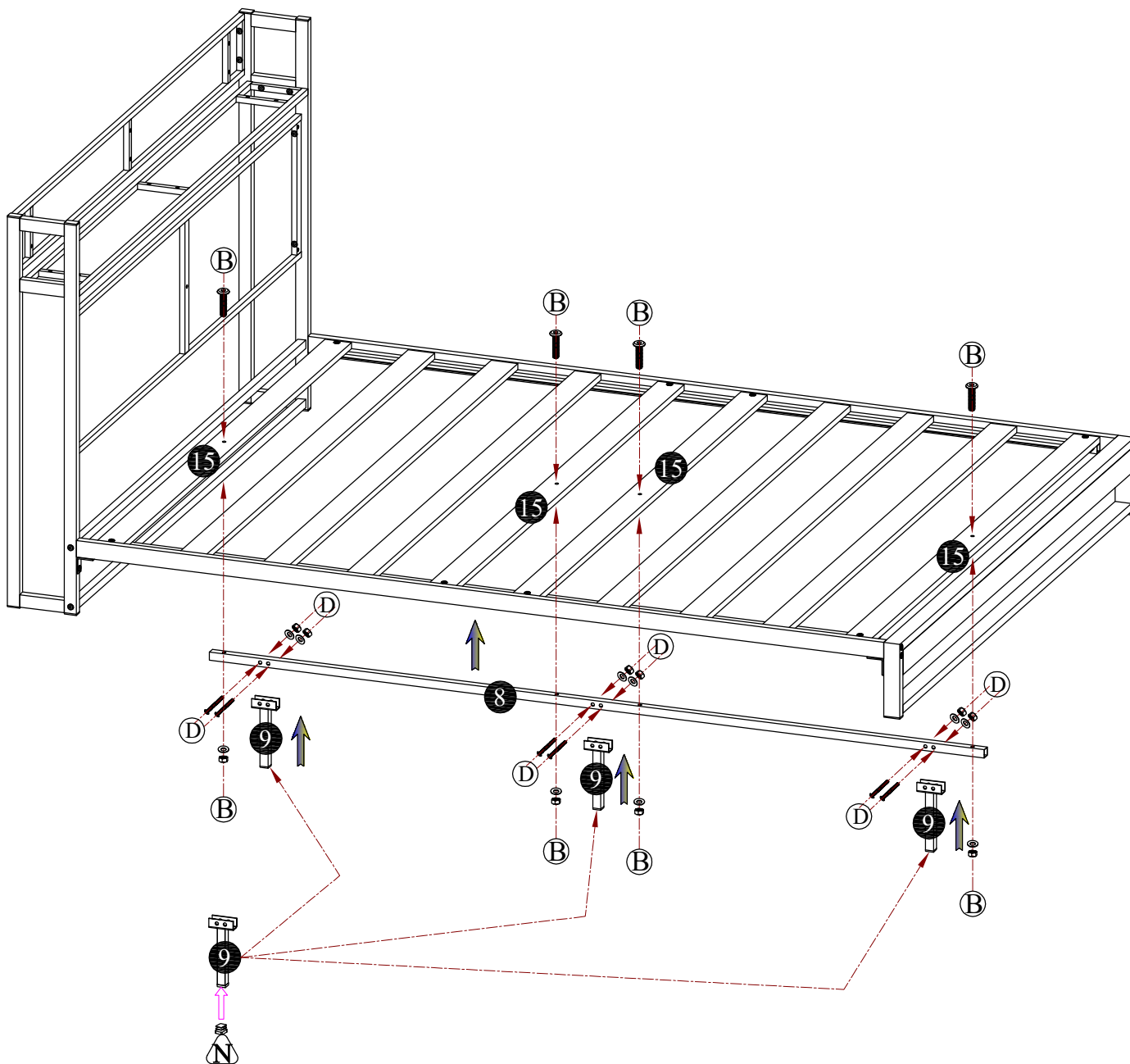





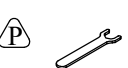

STEP 5



PLATFORM BED
 ASSEMBLY INSTRUCTIONS
 SKU: FU133Q-3

STEP 6



- | | | | | |
|---|---|---|--|---|
|  <p>20*20x10
3 PCS</p> |  <p>1/4"*50
4 SETS</p> |  <p>1/4"*35
6 SETS</p> |  <p>10x60
1 PCS</p> |  <p>4x60
2 PCS</p> |
|---|---|---|--|---|

