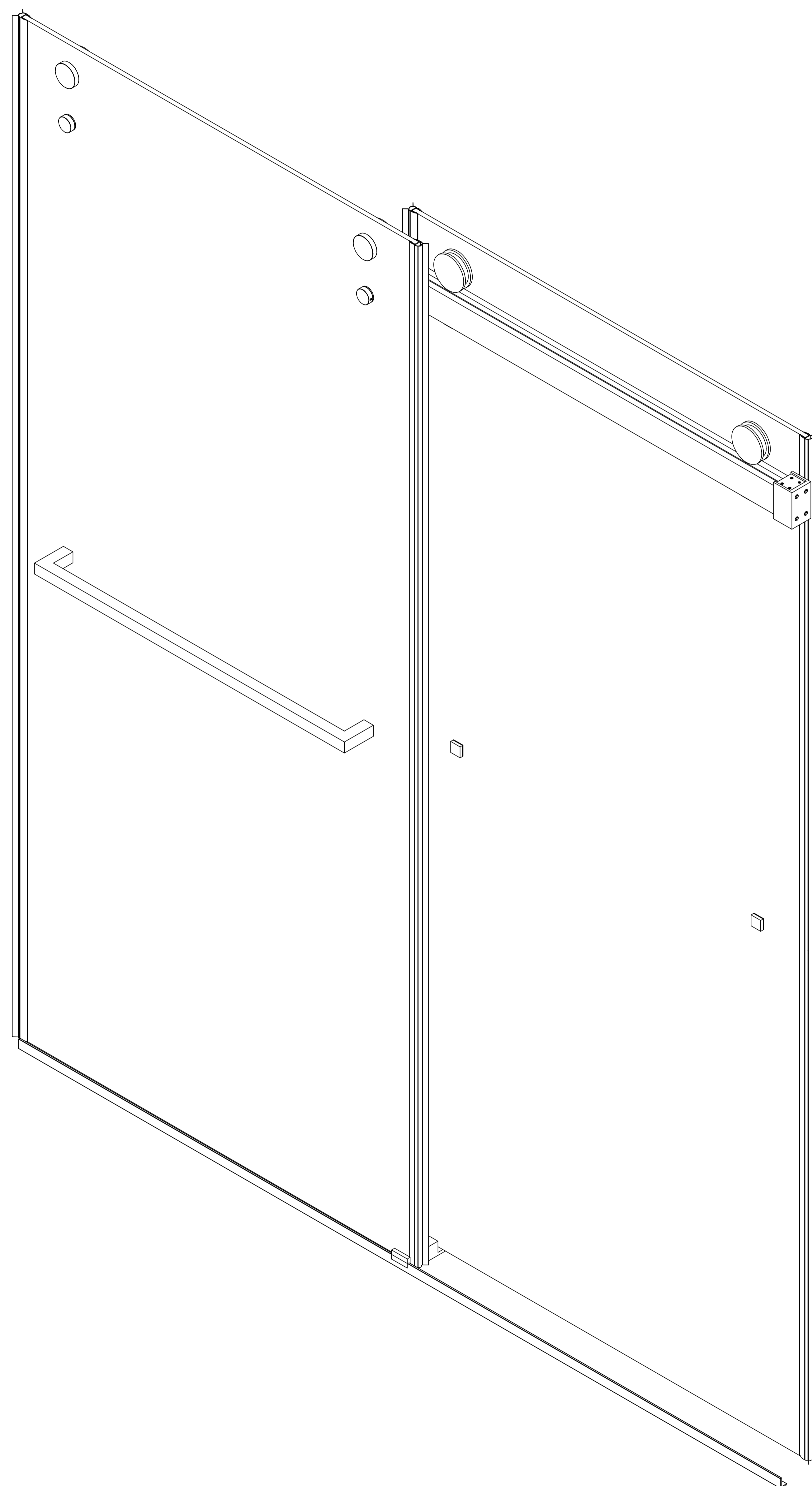


# INSTALLATION MANUAL - INSTALLATION GUIDE



## Questions, problems, missing parts?

Before returning to your retailer, call our customer service department at first

## SAFETY INFORMATION

---

### CAUTION

Please carefully read the following important safety information before handling or installing this shower. There is a risk of serious injury while handling this product. To minimize these risks, please note:

- Always wear safety glasses and gloves while handling.
- Always read and follow all the steps in the installation instructions.
- Inspect all contents and glass for damage before installation.
- Extreme caution should be taken while handling the glass during installation as the tempered glass may shatter if in contact with a hard surface.
- Handle the tempered glass with caution! Improperly handling the glass can cause it to break suddenly in small pieces (never in pointed fragments).
- Always take all precautions not to touch the tempered glass with any tools during the installation, or after installed.
- Do not cut or modify the tempered glass as it will shatter if cut.
- Carefully remove product from packaging and keep packaging until installation is complete.
- Inspect all parts for damage; if there is damage to the unit prior to installation, please contact customer service at the number provided in this guide.
- Install the shower on a floor that is level and able to accommodate the weight of the unit and an occupant.
- Consult local building codes and compliance standards prior to installation and ensure conformity.
- After installation, please check the glass promptly to ensure that there is no looseness after installation.
- Keep this installation manual for future reference.

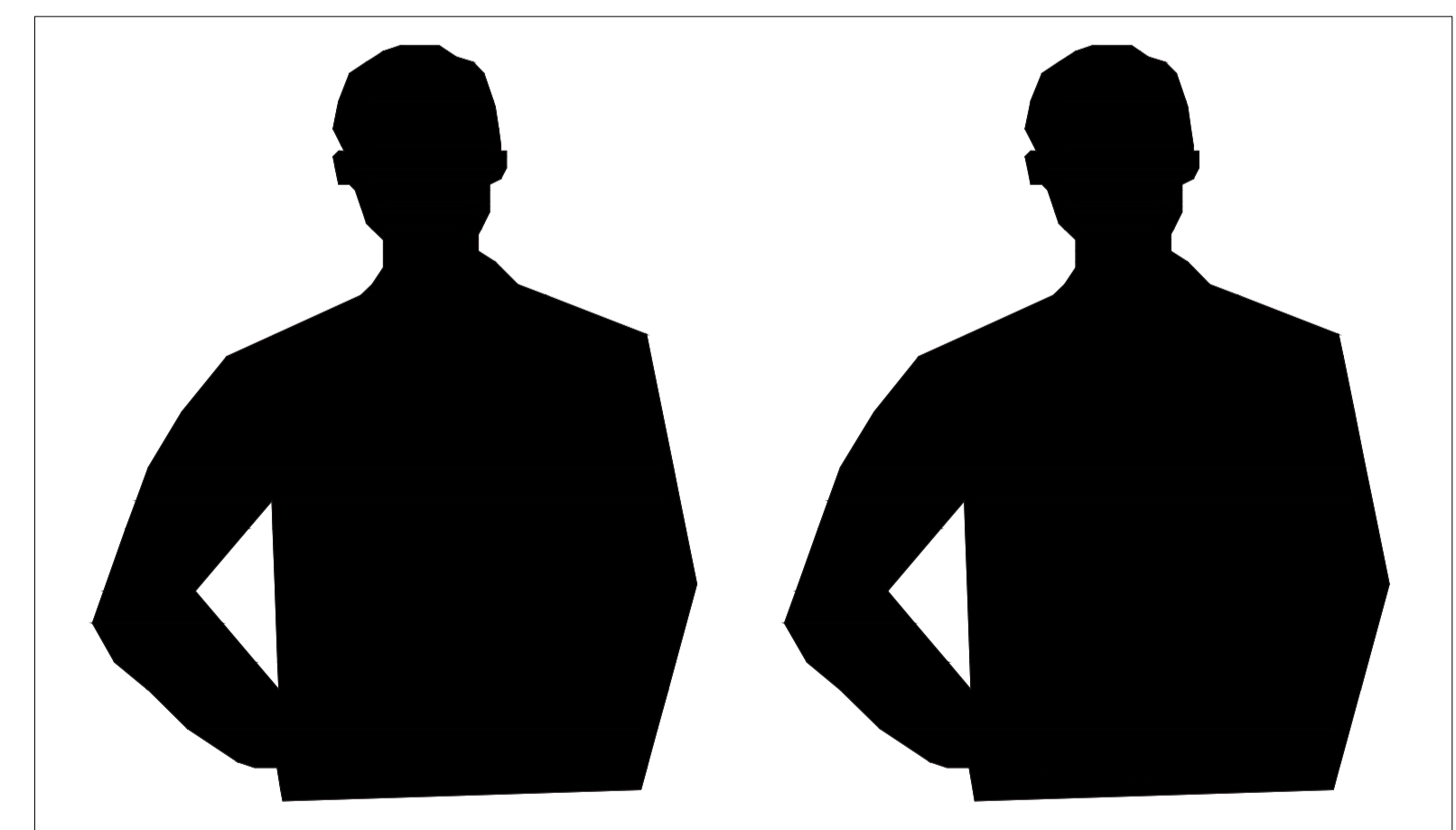
### NOTICE

- Any modification or alteration from what is specified in this instruction manual will void any and all warranty on this product.
- The distributor is not responsible for any damage to the unit or personal property caused by improper installation. If you disregard instructional warnings, you will void your warranty and possibly deal with water damage.

## PREPARATION

---

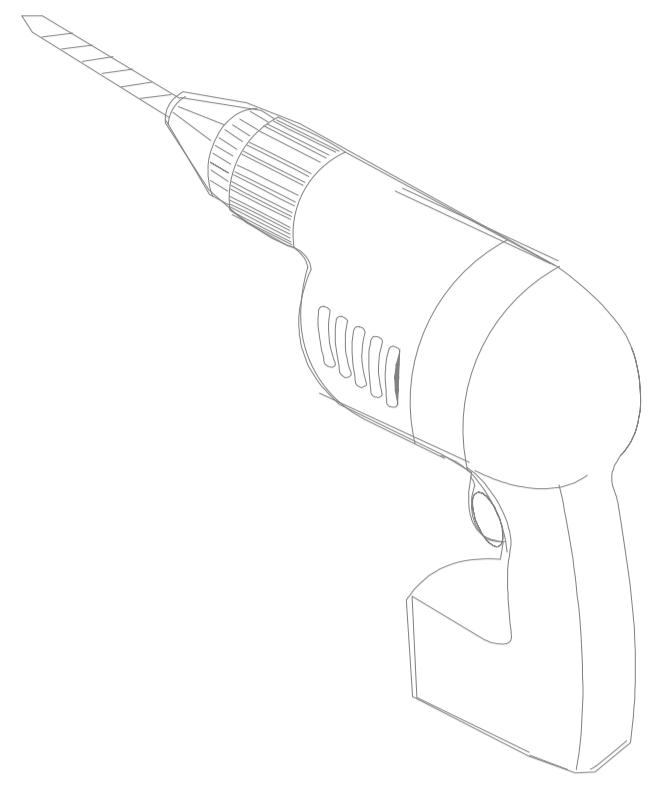
You will need at least two people to install this unit properly.



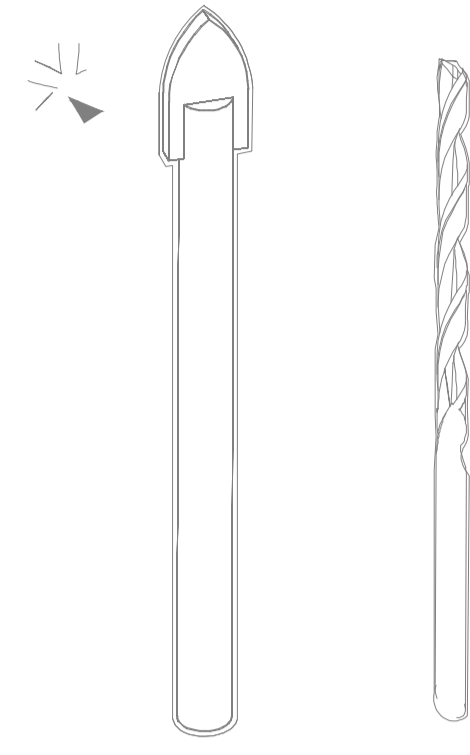
Before beginning assembly of product, make sure all parts are present. Compare parts with package contents list and hardware contents list. If any part is missing or damaged, do not attempt to assemble the product.

**Estimated Assembly Time: Shower (60 min).**

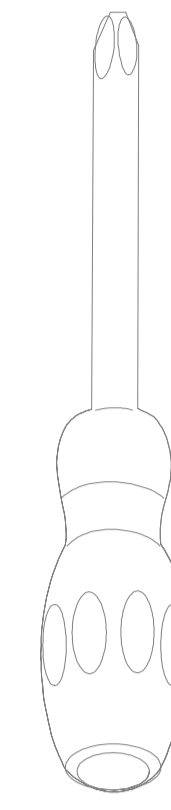
REQUIRED TOOLS



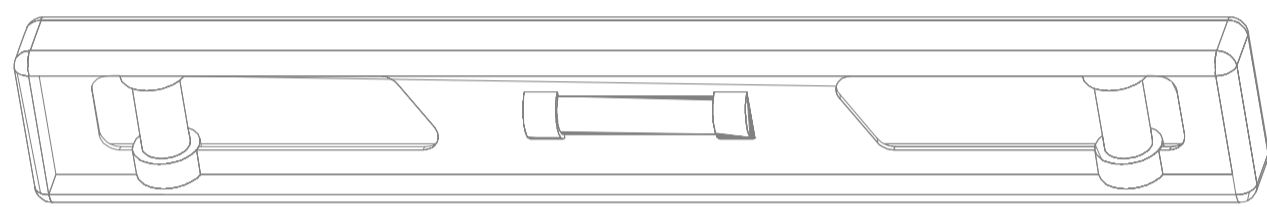
**DRILL**  
PERCEUSE



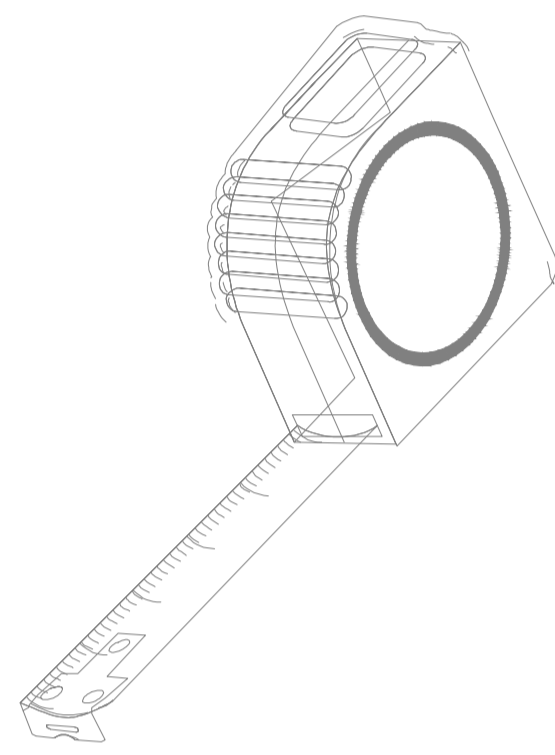
**1/4" & 1/8" DRILL BITS**  
MECHES 1/4" & 1/8"



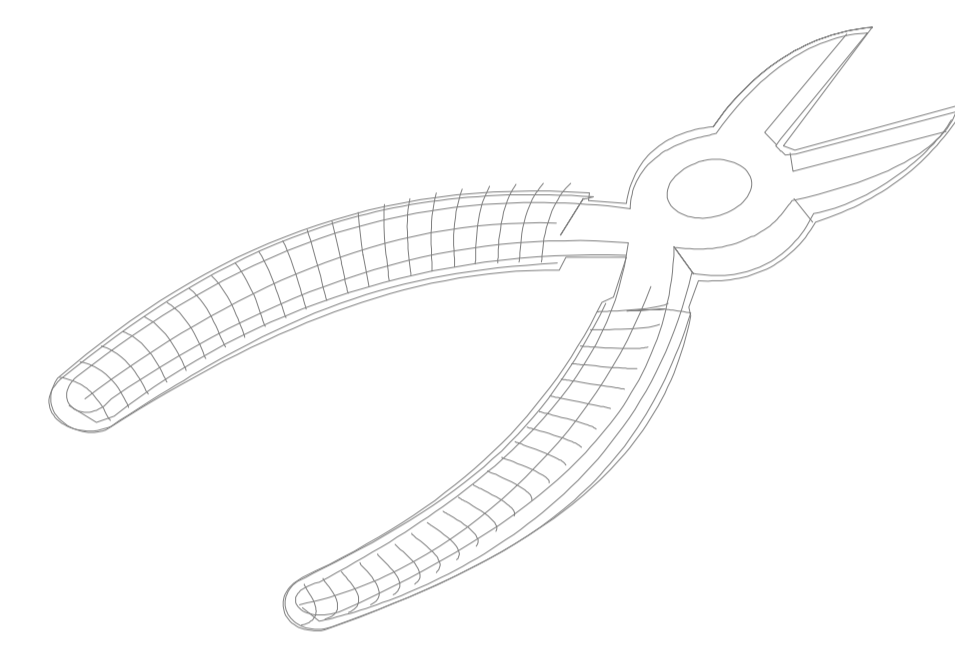
**SCREWDRIVER**  
TOURNEVIS



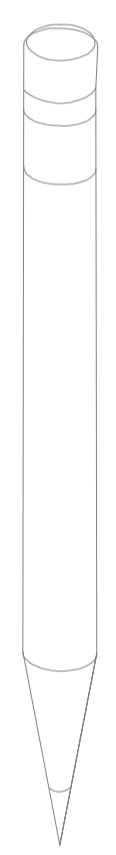
**LEVEL**  
NIVEAU



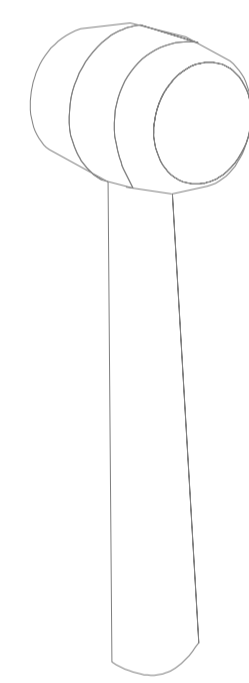
**TAPE MEASURE**  
MEASURE



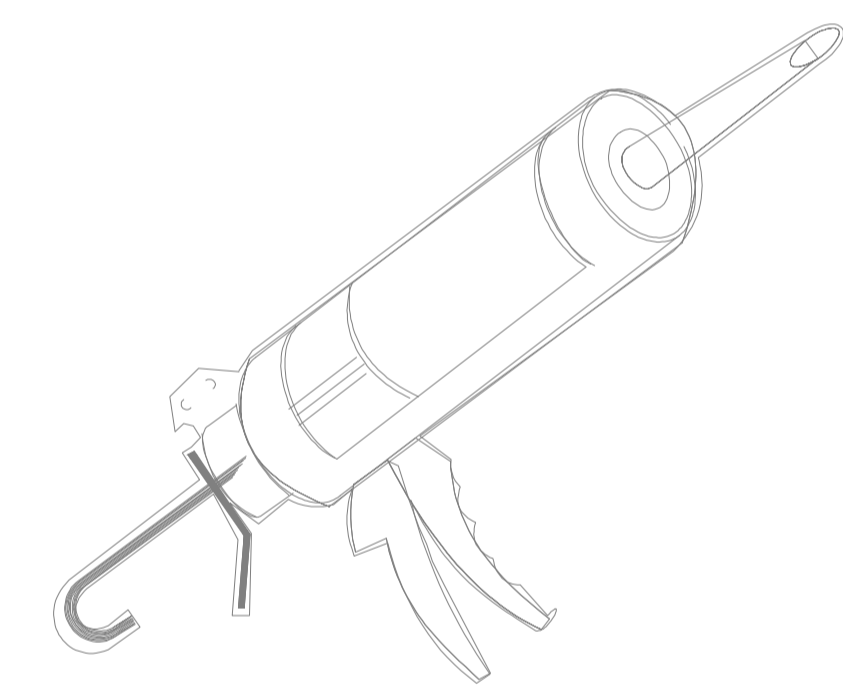
**CUTTING PLIER**  
PINCE COUPANTE



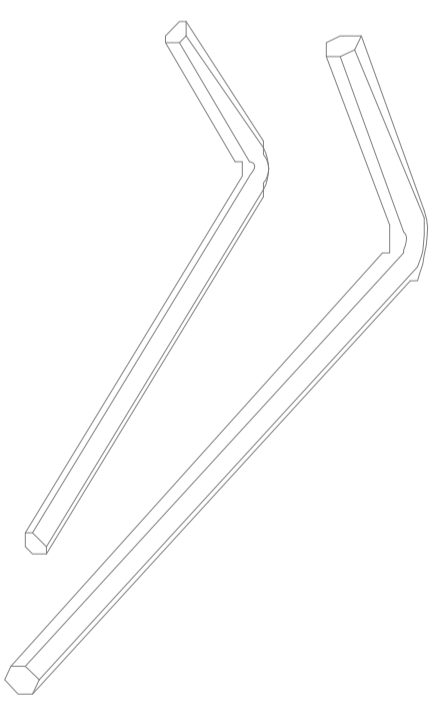
**PENCIL**  
CRAYON



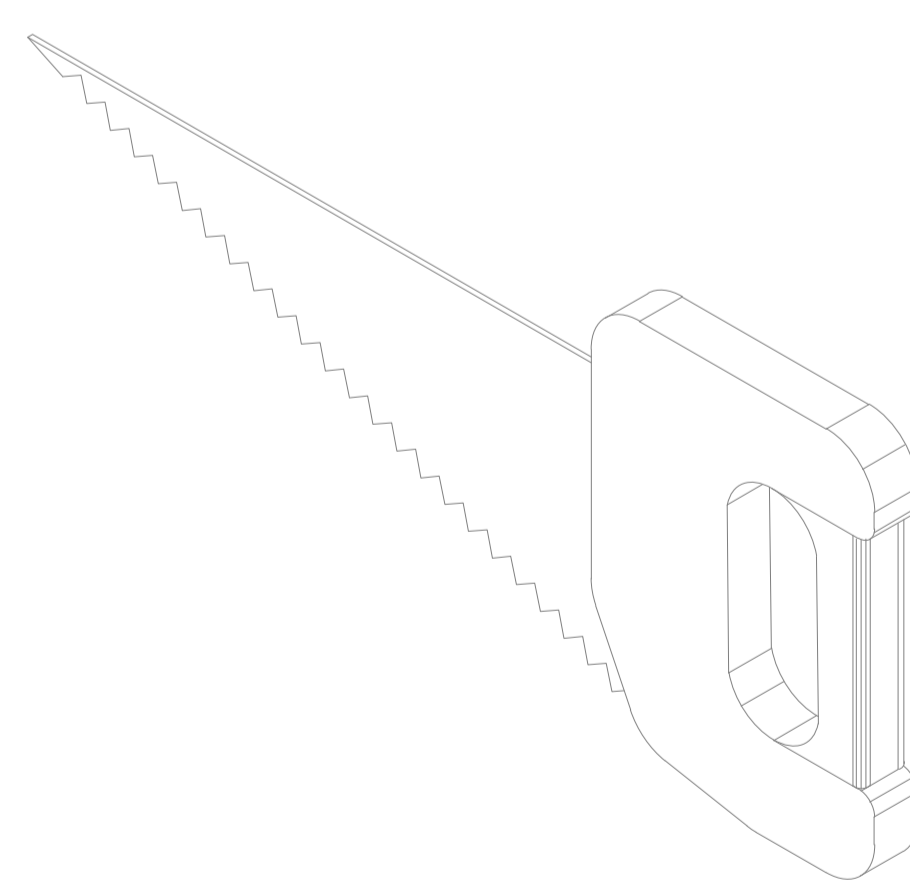
**MALLET**  
MAILLET



**SILICONE**  
SCELLANT



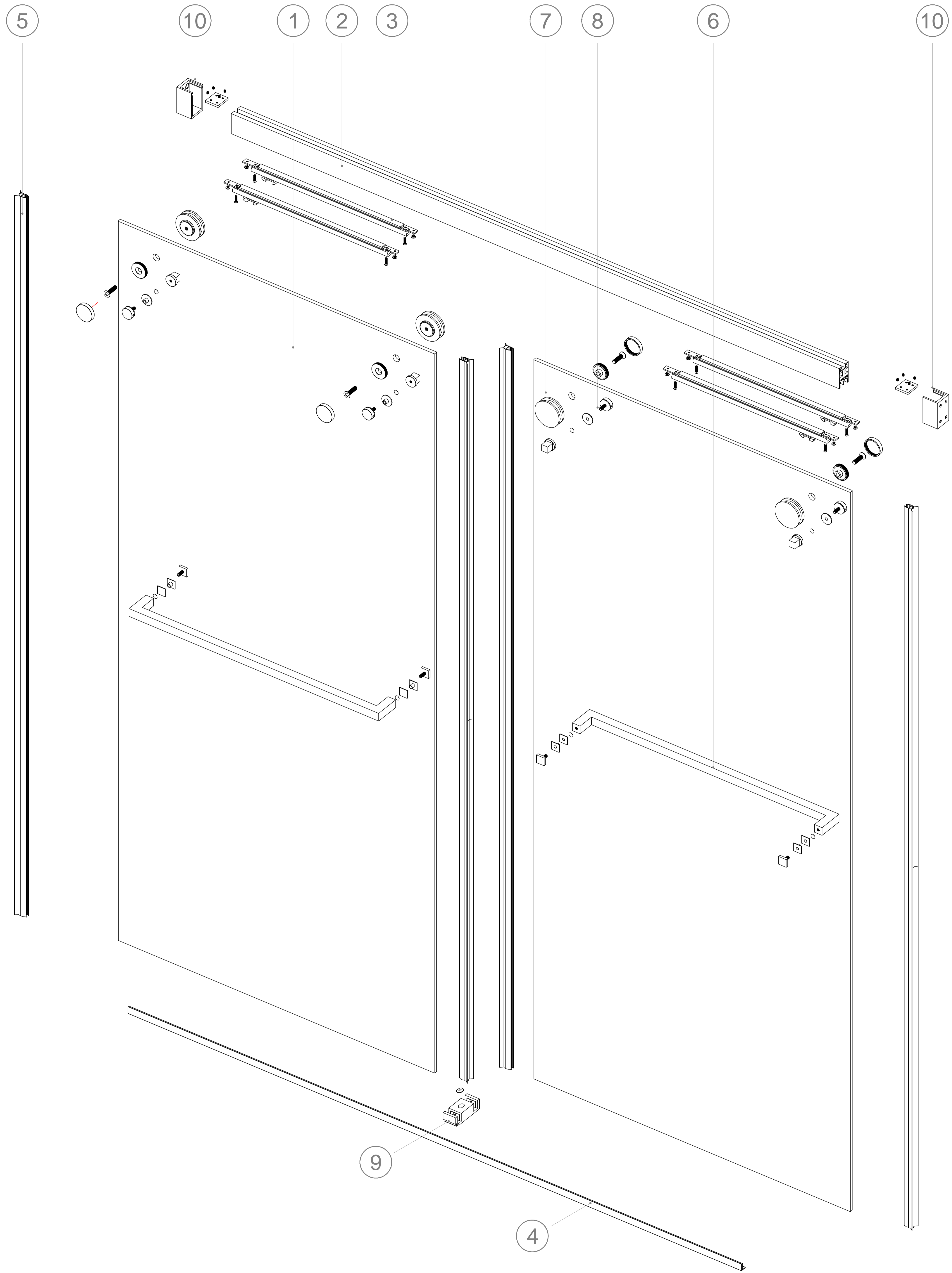
**ALLEN KEY**  
2mm&2.5mm&4mm&5mm




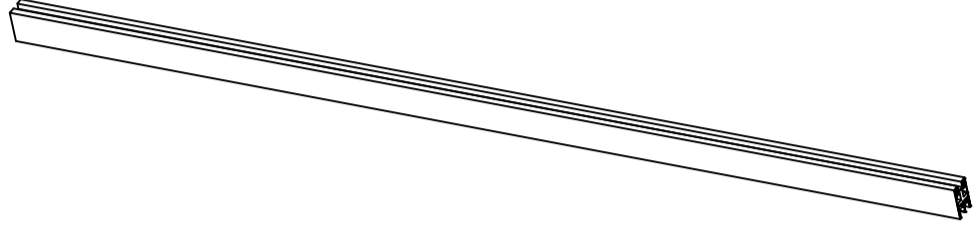
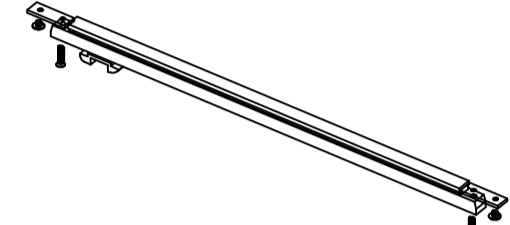
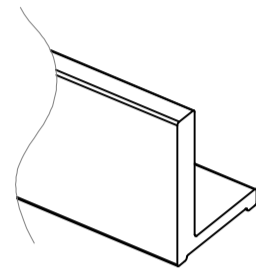
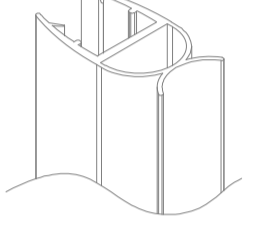
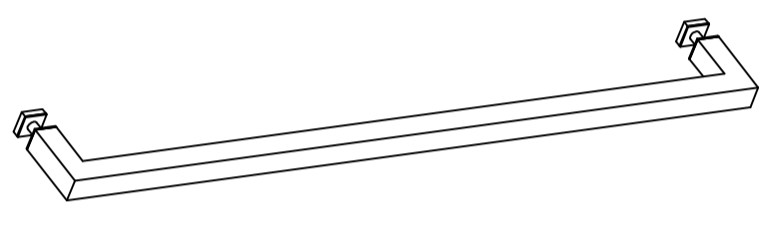
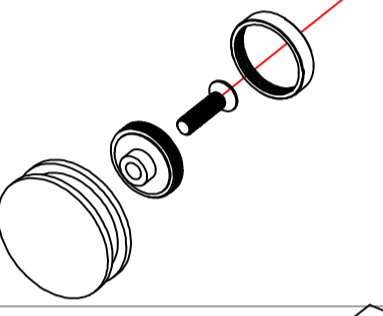
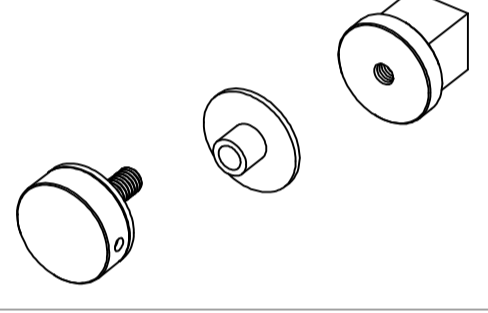
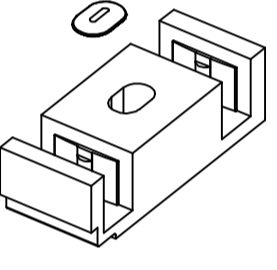
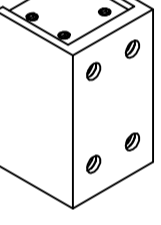
**Saw**  
Saw

**\* Use a 1/4" drill bit for ceramic when drilling into ceramic tiles**

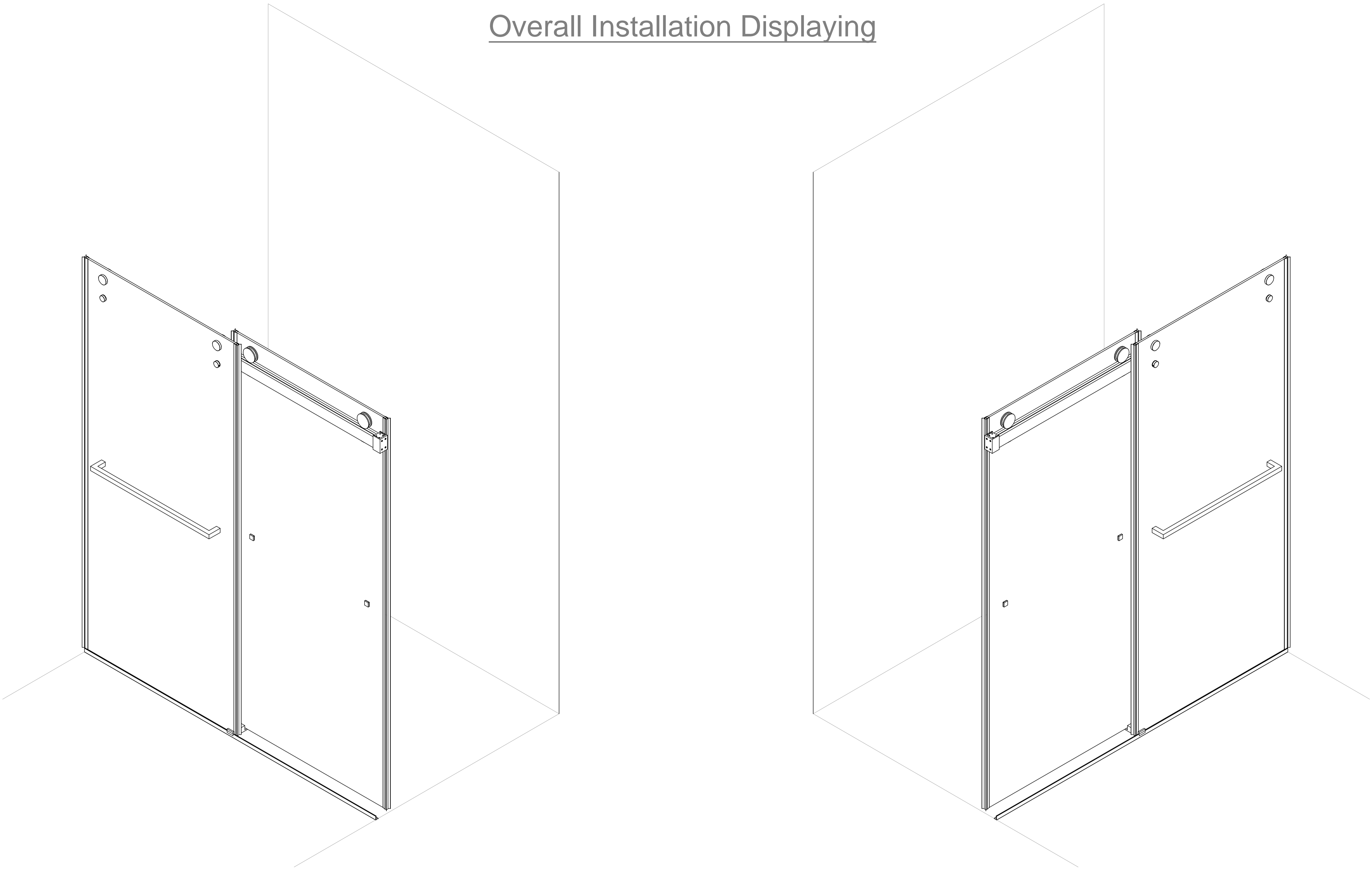
# PARTS AND HARDWARE LISTING



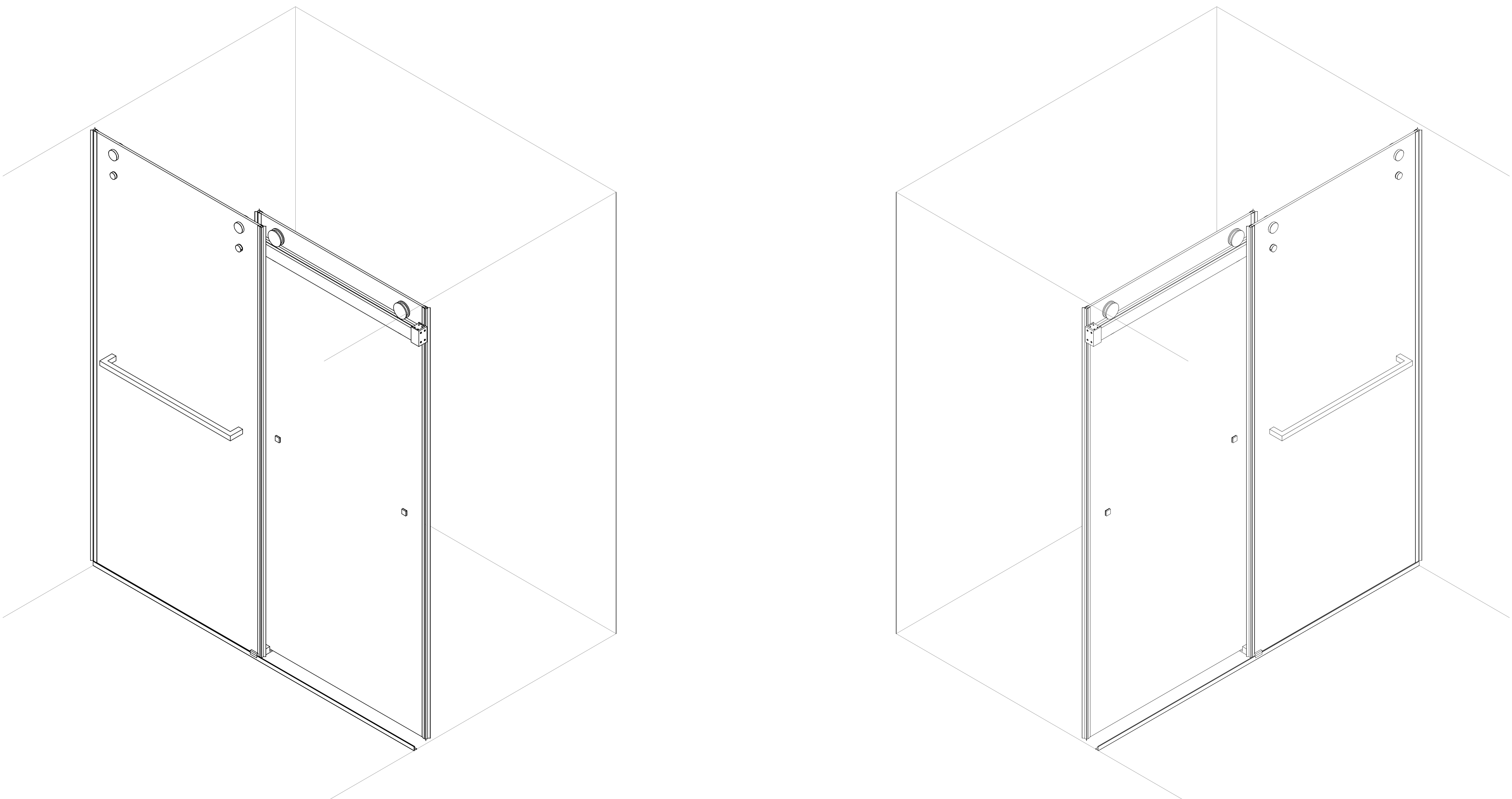
PARTS AND HARDWARE LISTING

ITEM	NAME	QTY	PICTURE
1	GLASS DOOR	2	
2	RAIL	1	
3	BUFFER	4	
4	THRESHOLD	1	
5	ANTI COLLISION ADHESIVE STRIP	4	
6	HANDLE	2	
7	WHEEL	4	
8	ANTI-JUMP TRIGGER	4	
9	GUIDE BLOCK	1	
10	WALL MOUNT ASSEMBLY	2	
11			
12			
13			
14			
15			
16			
17			
18			
19			
20			
21			

Overall Installation Displaying



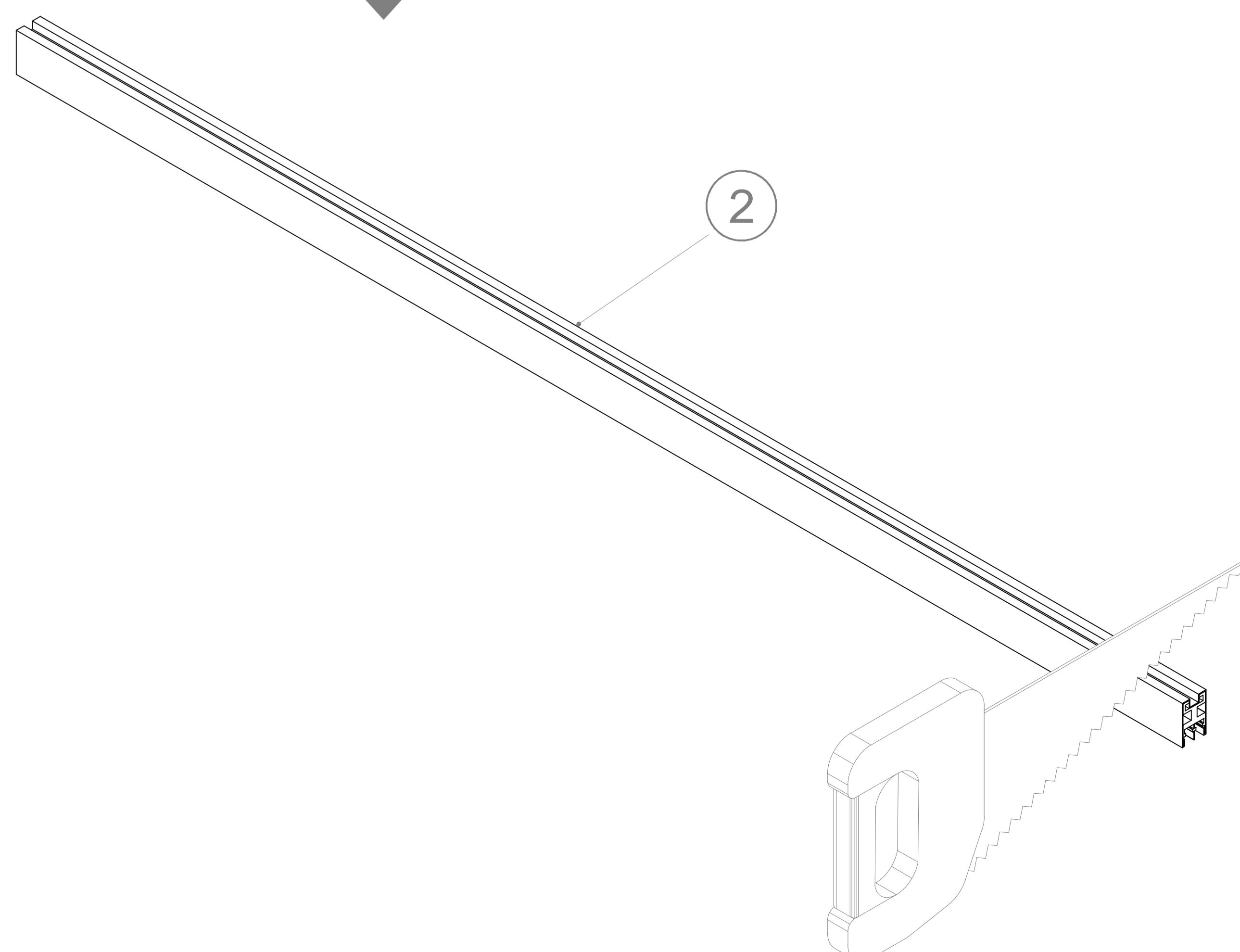
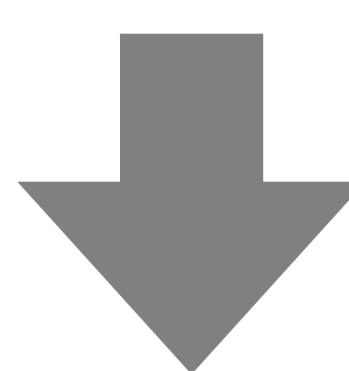
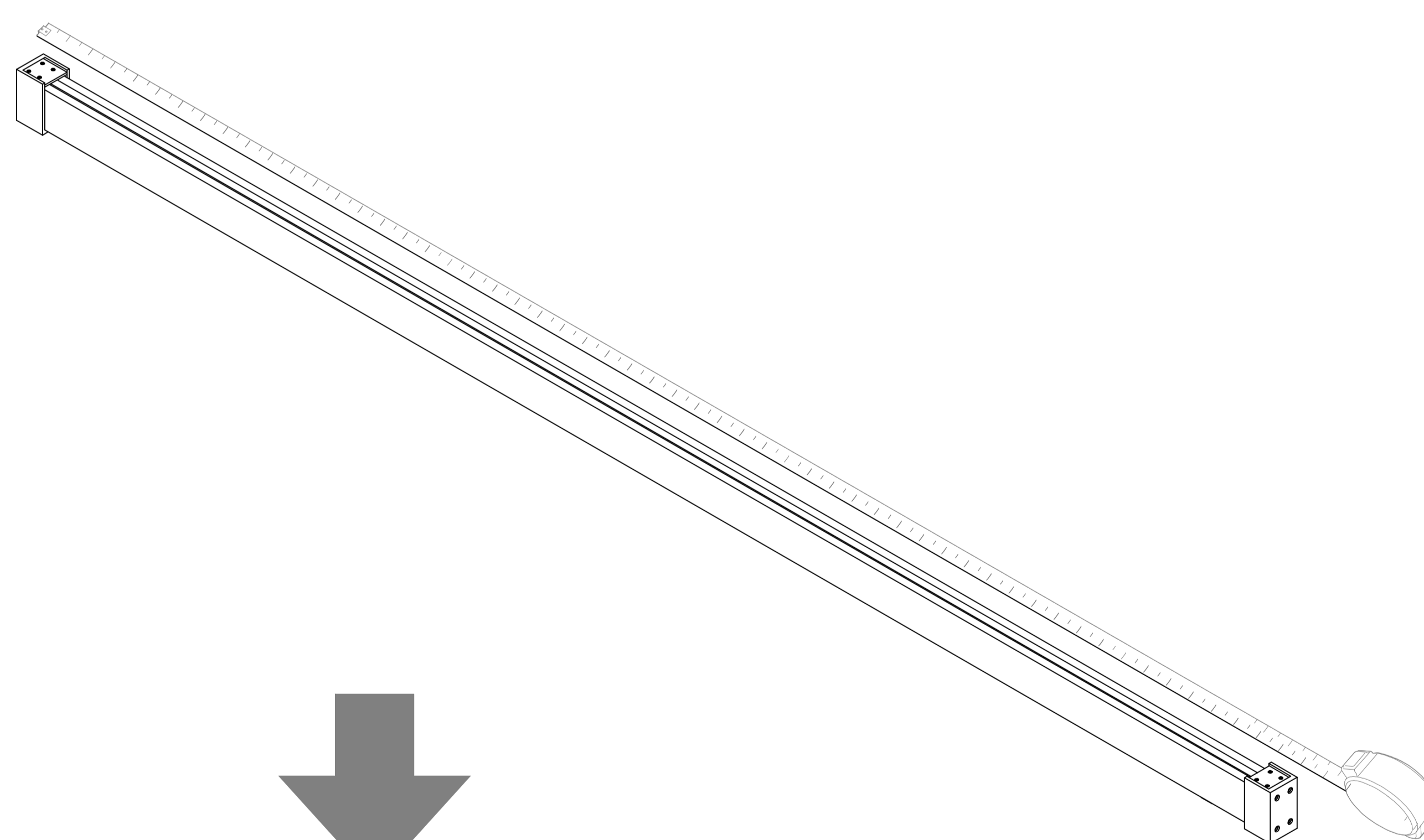
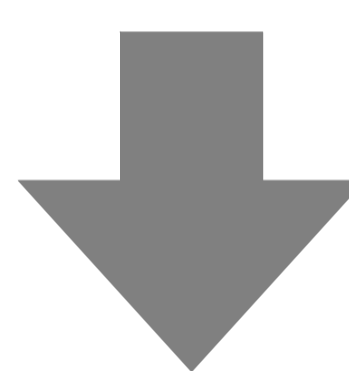
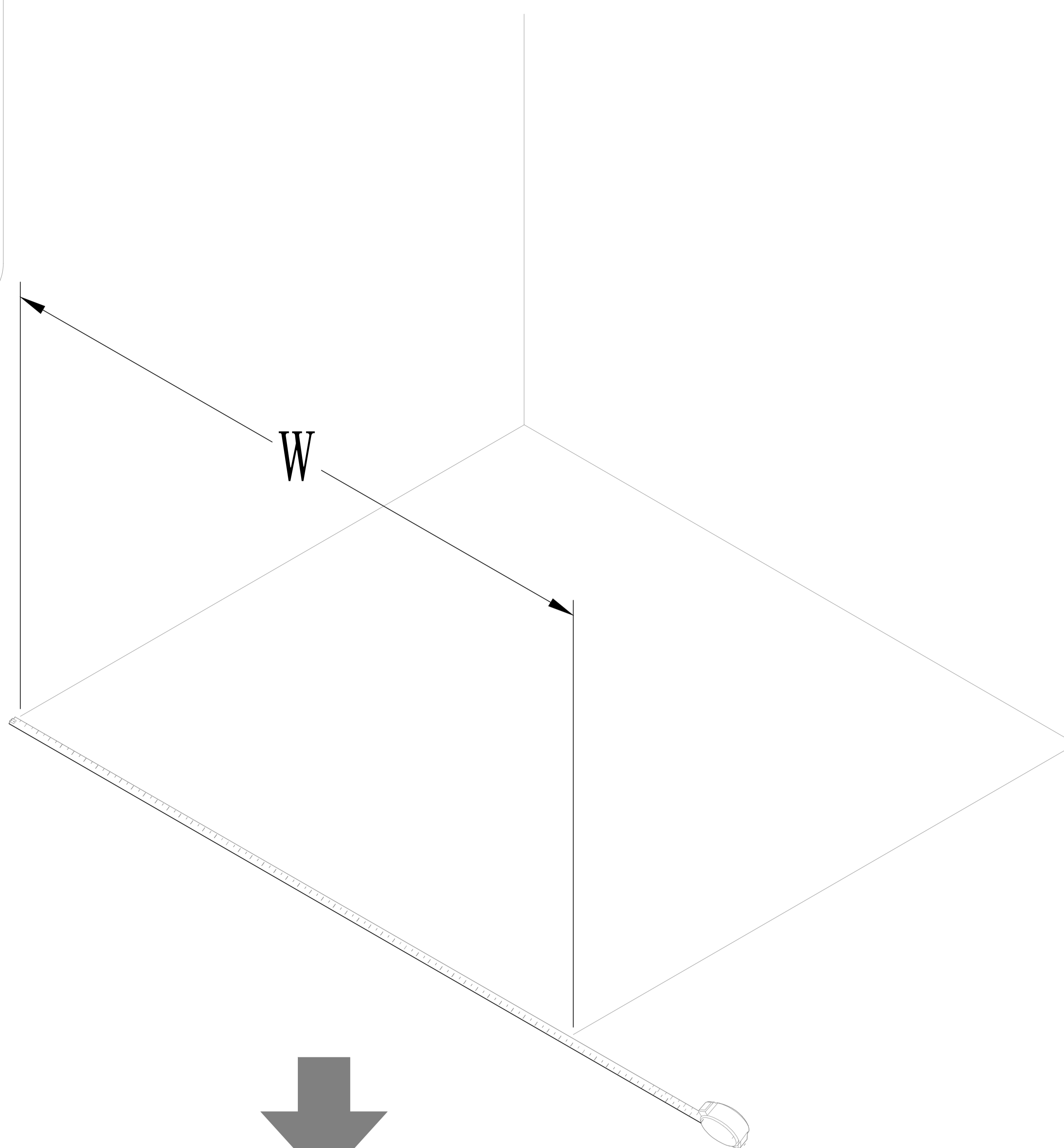
Installation effect diagram of shower enclosure



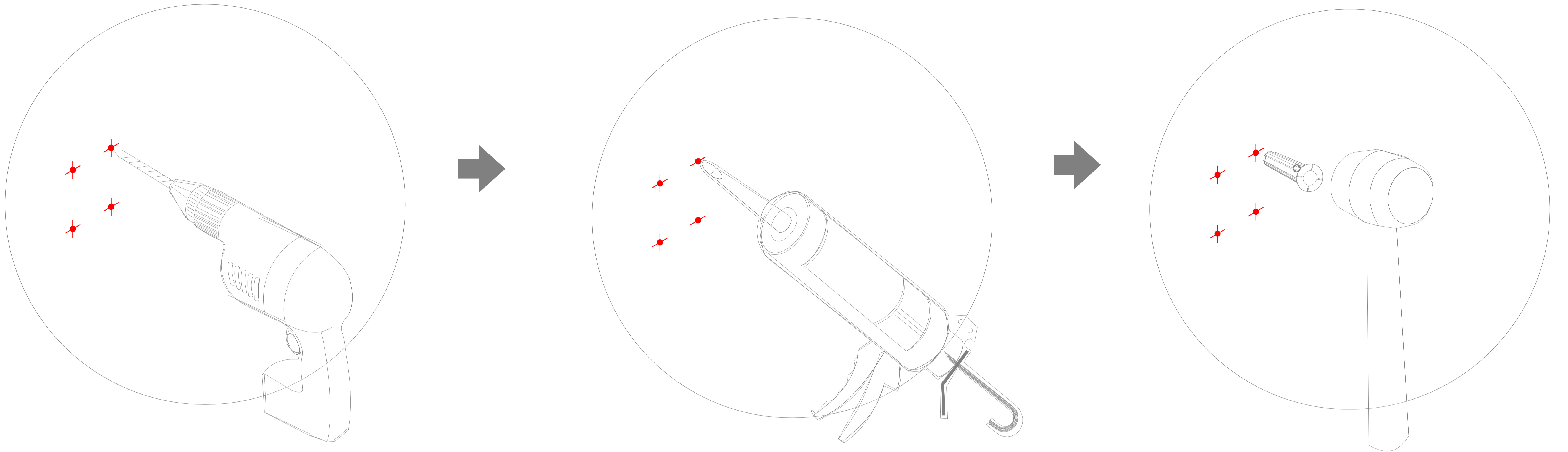
Installation effect diagram of side panel

## Wall to wall measurement, cutting the upper guide rail

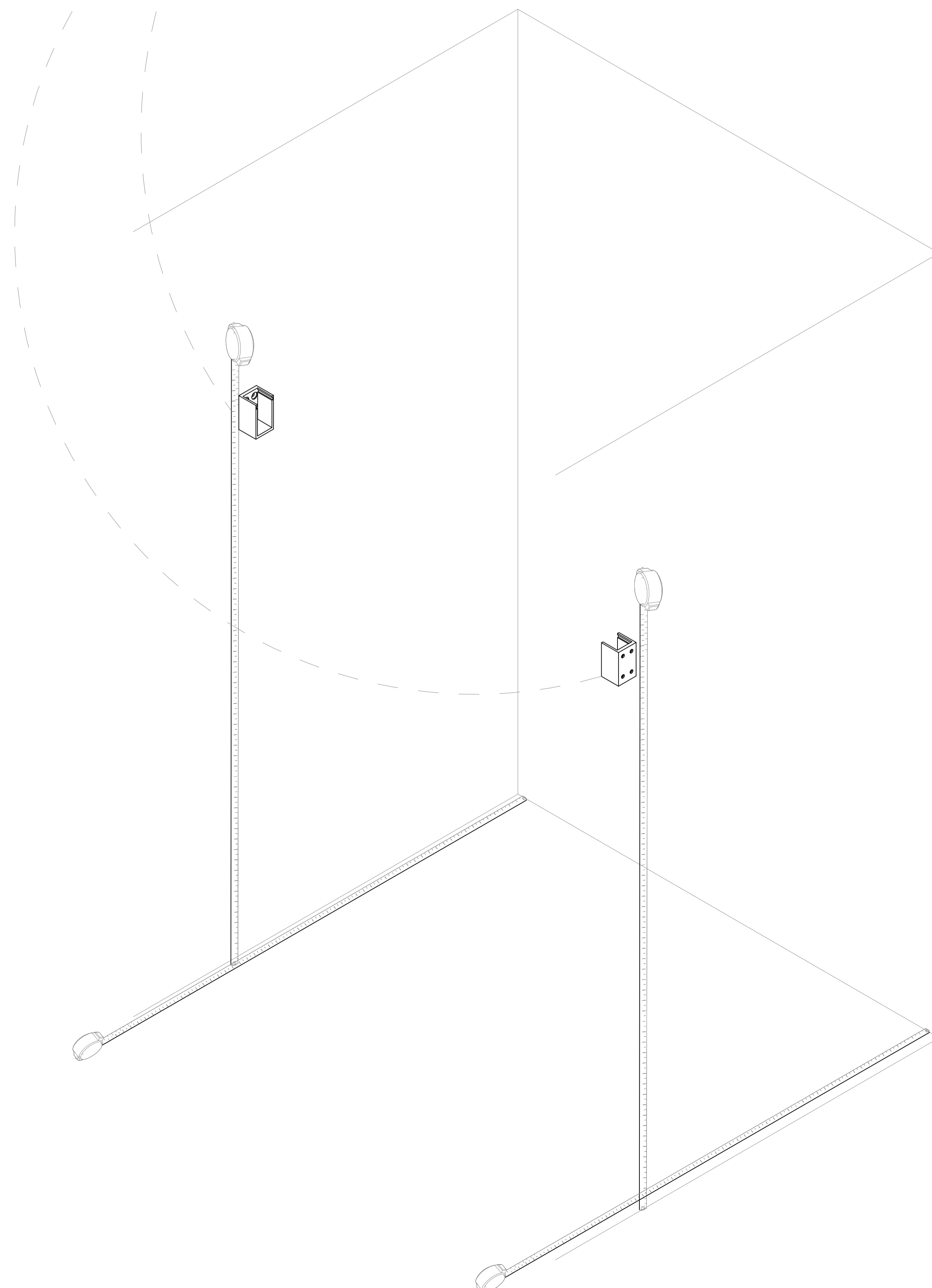
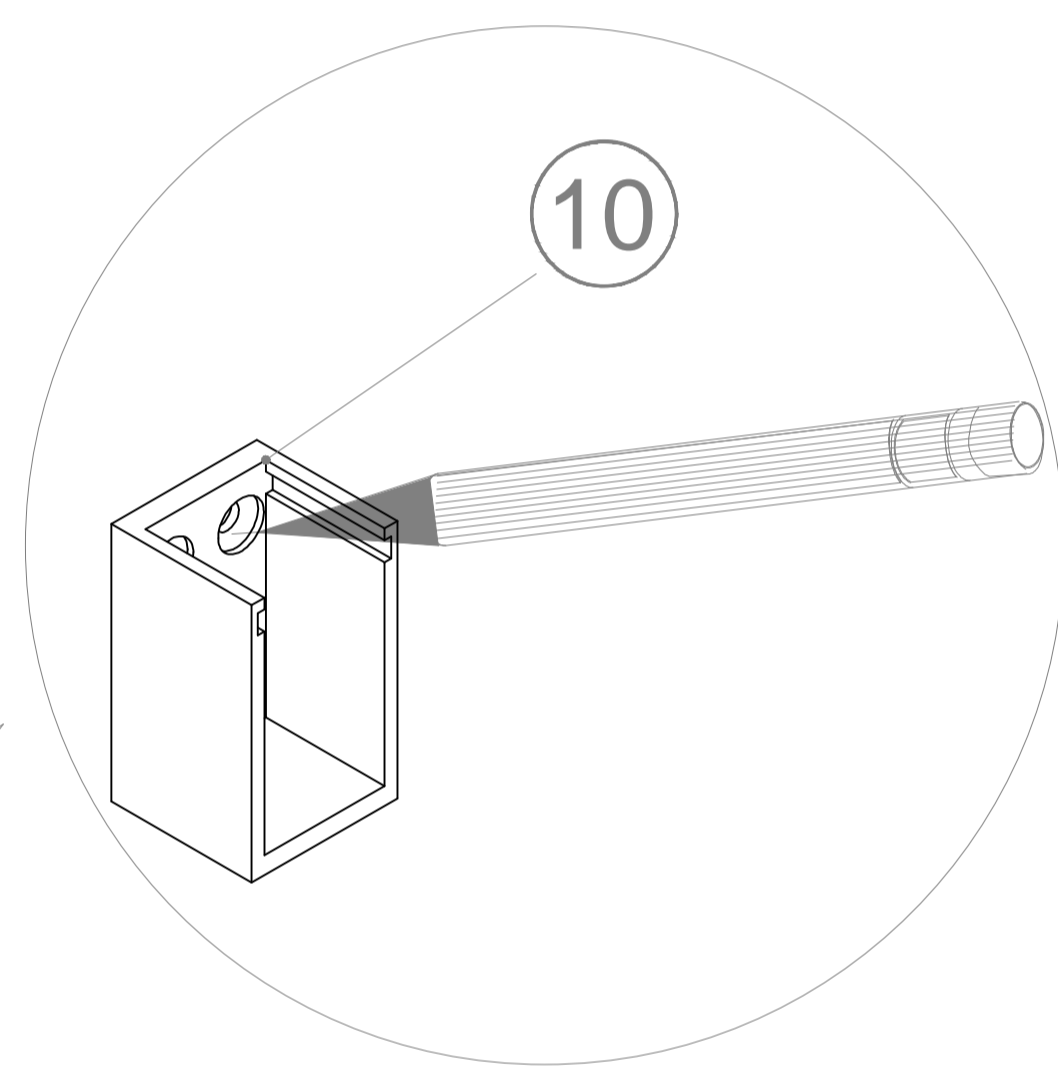
Measure the site wall to wall dimensions against cutting guides.



# STEP-1: Install wall lock seat.

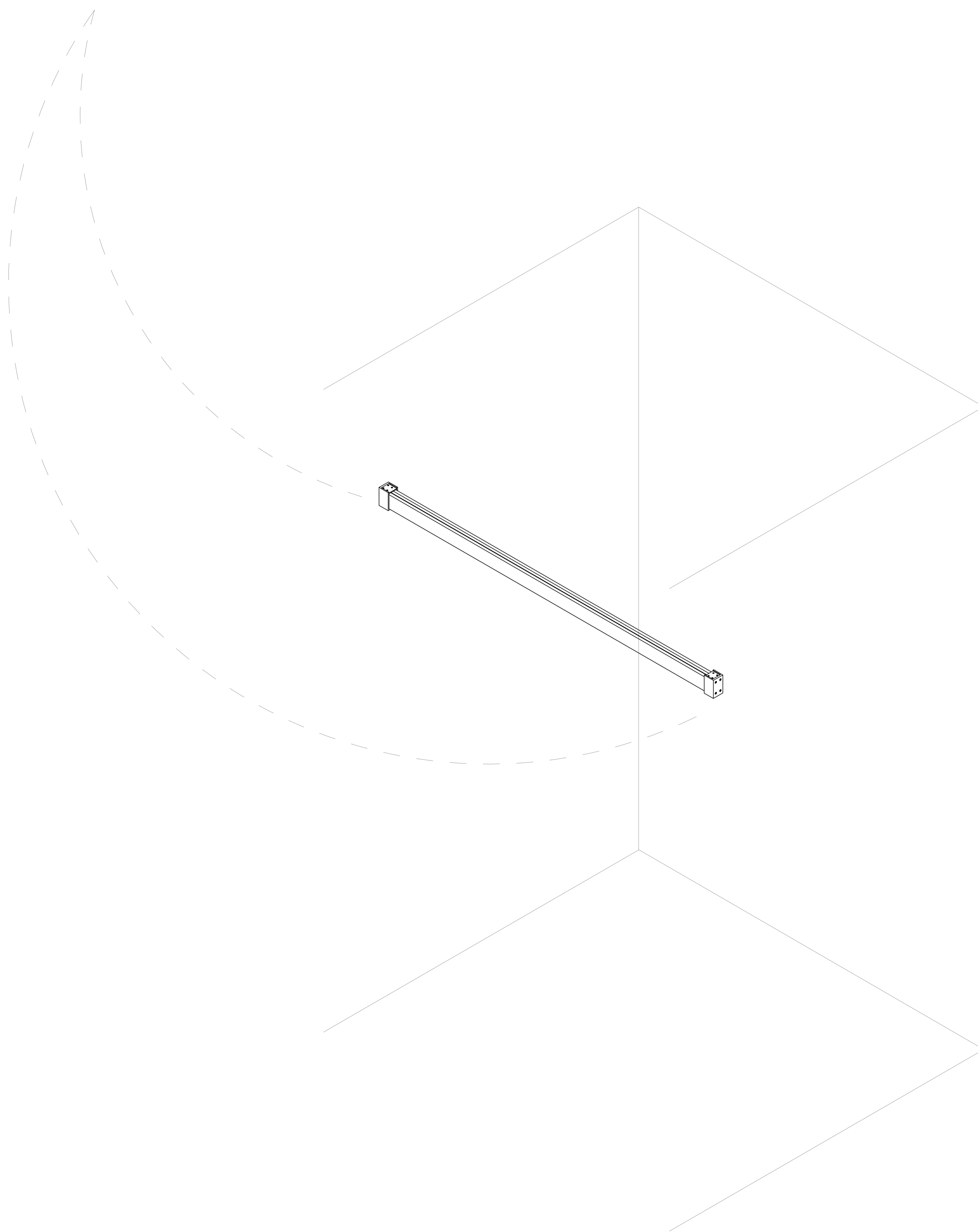
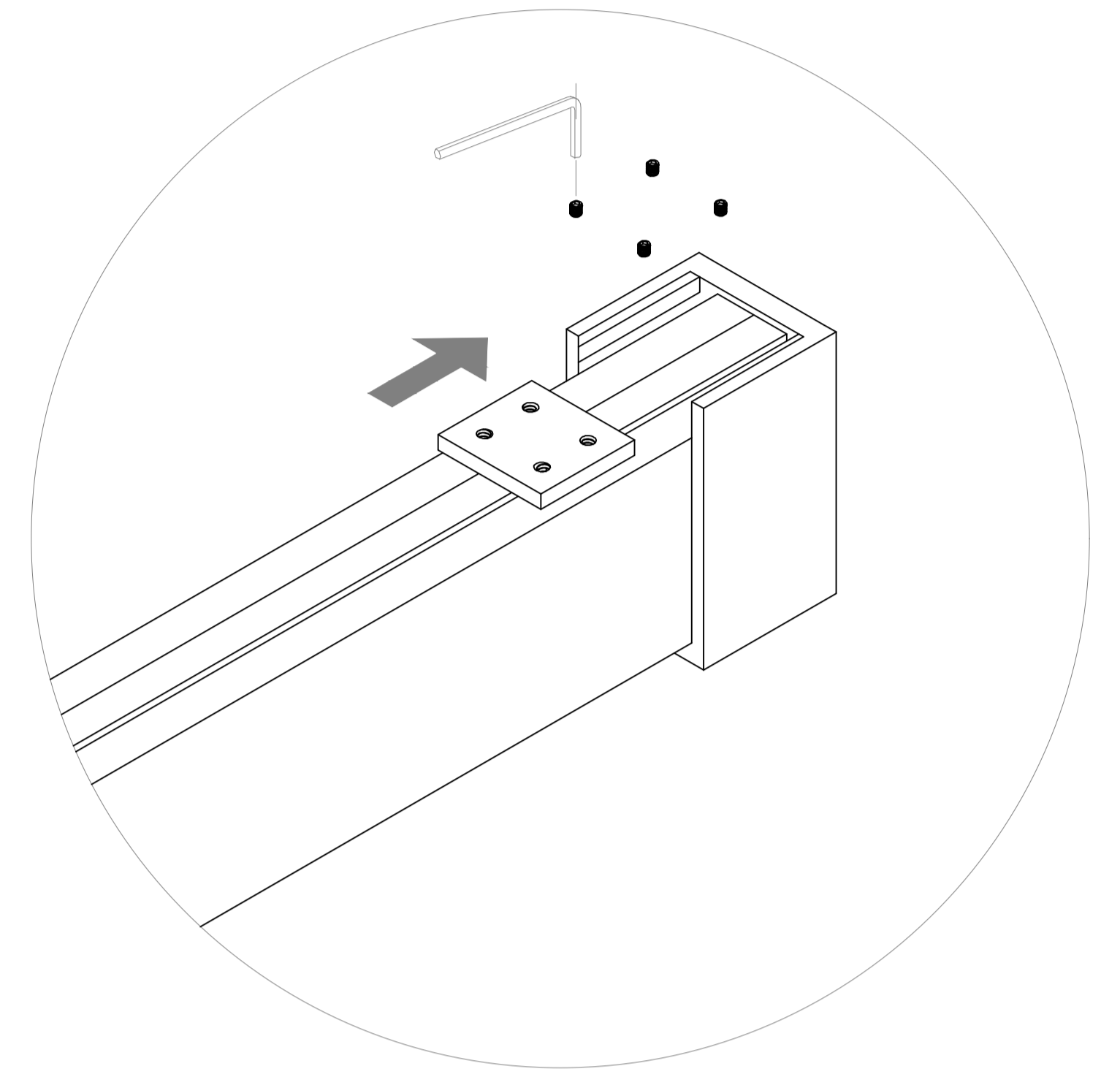
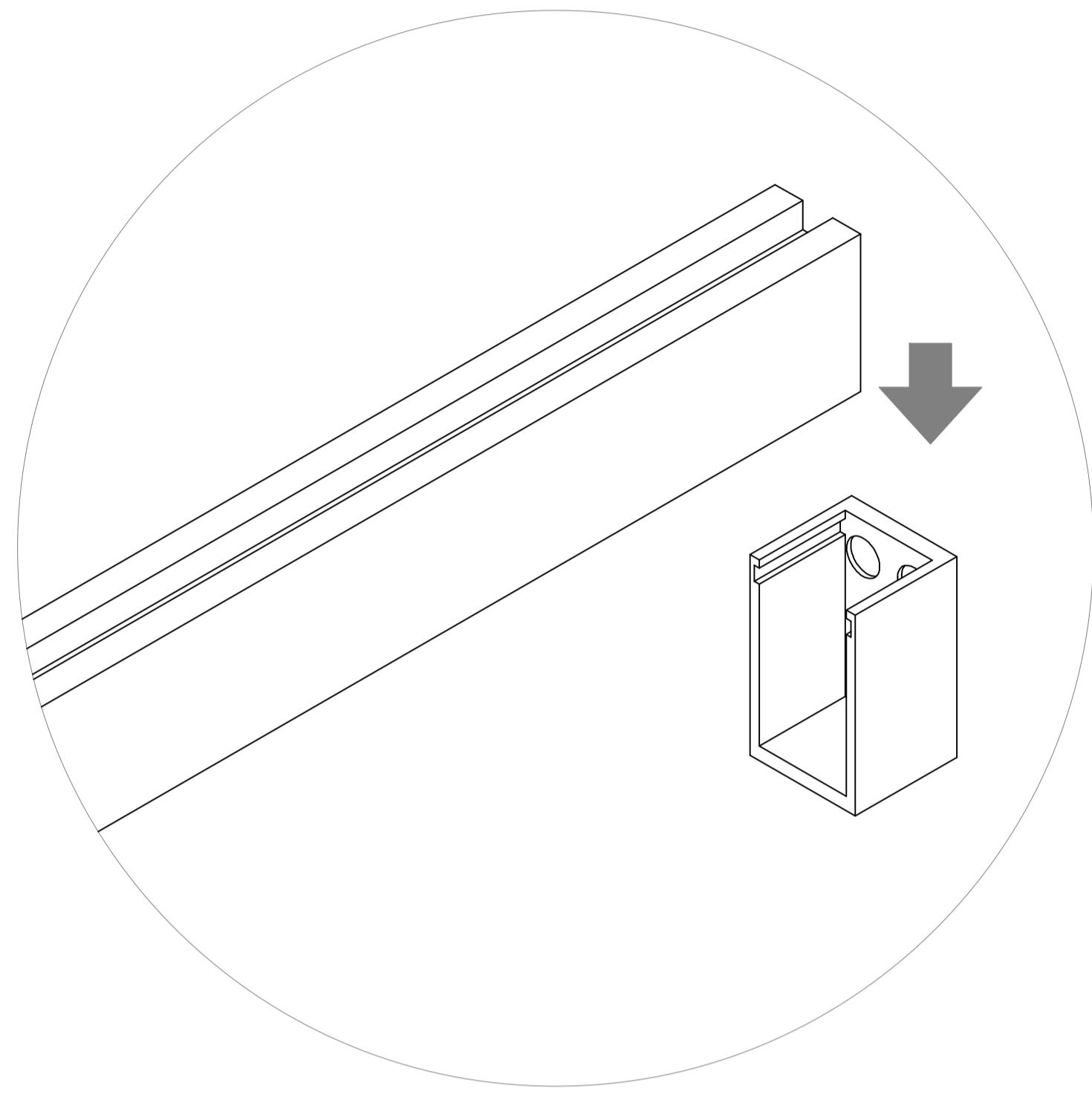
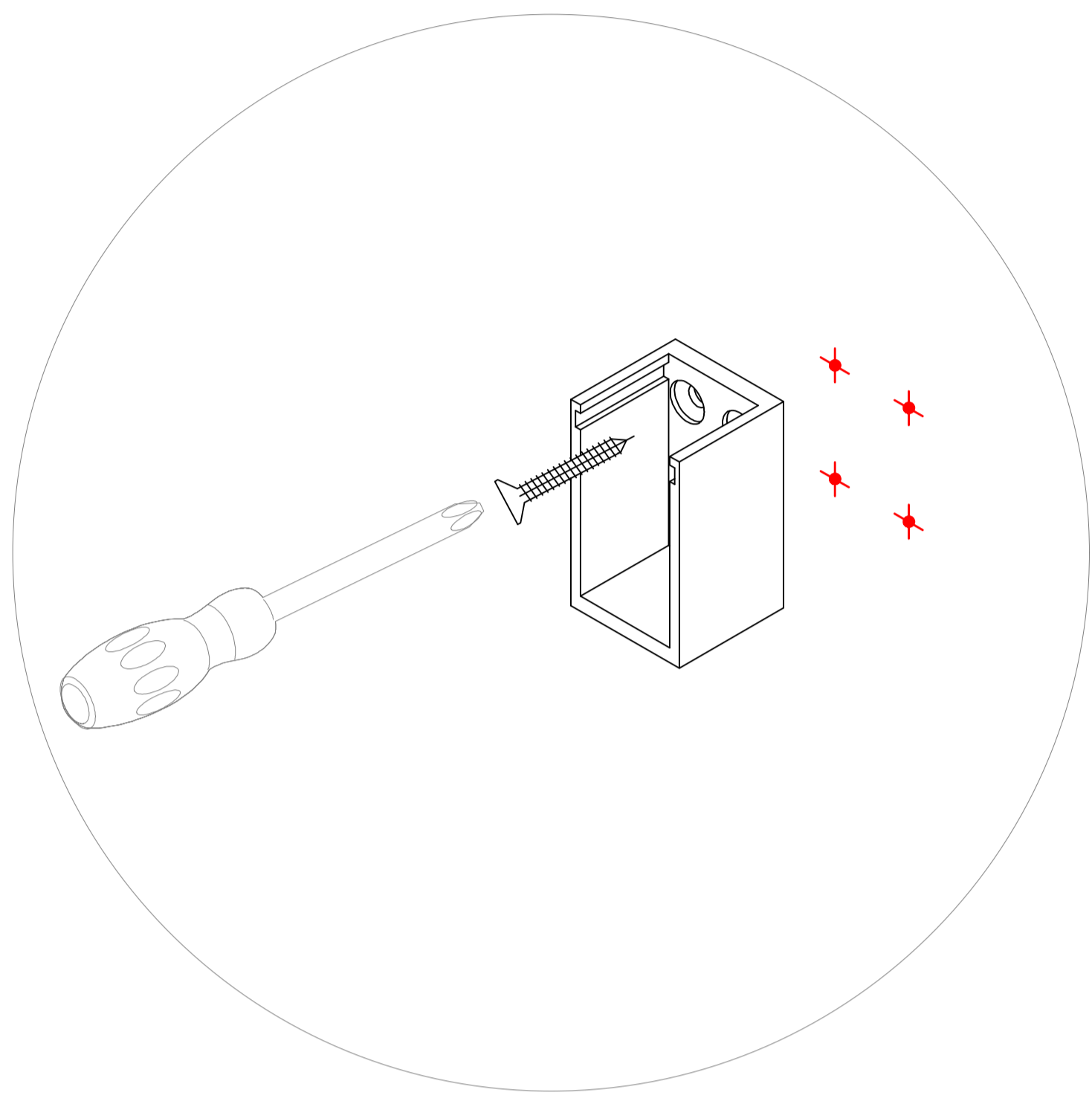


Only installing the measure the vertical height, place the lock wall seat, and mark the hole location.



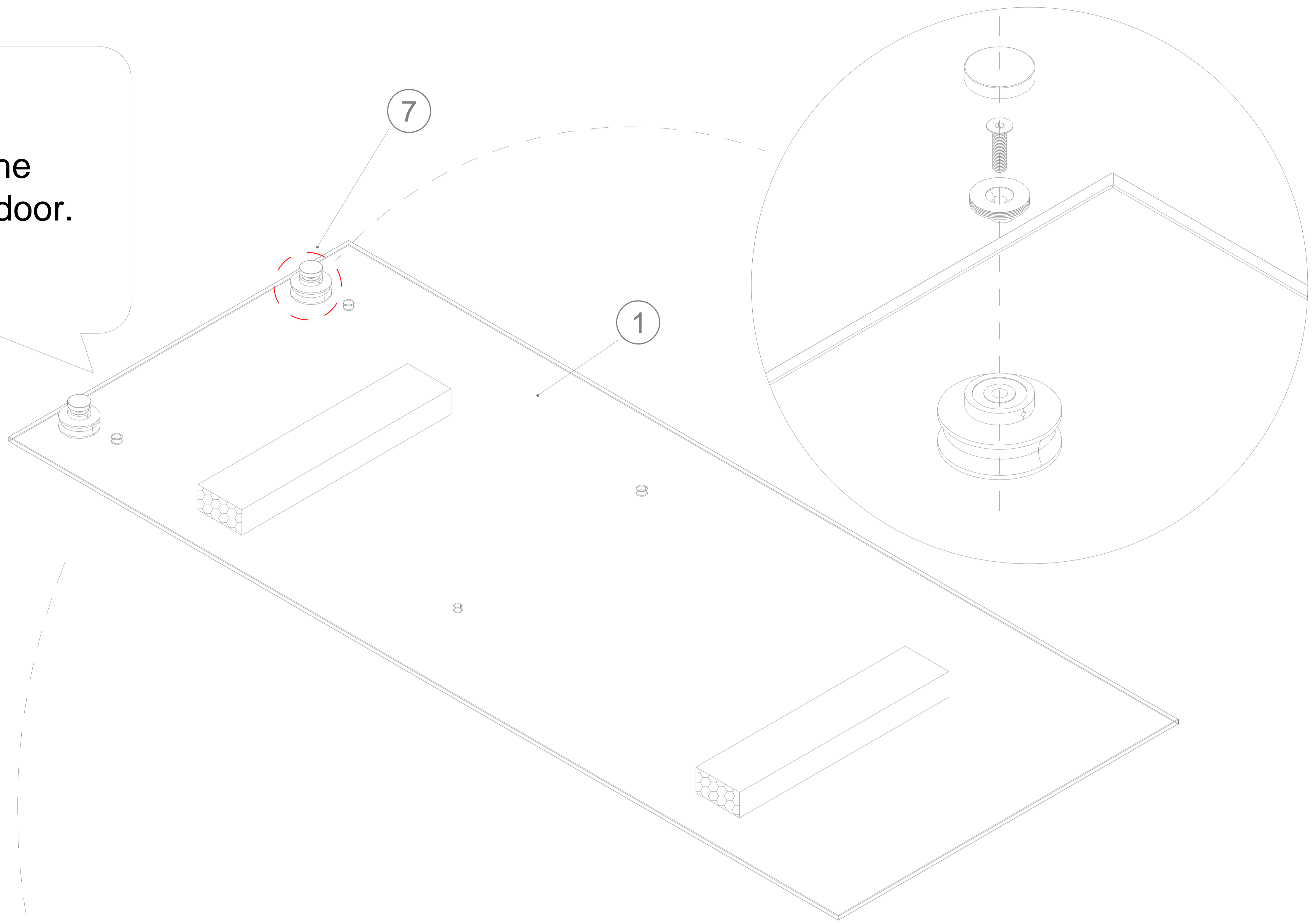


**Step 2: Mounting upper rail.**

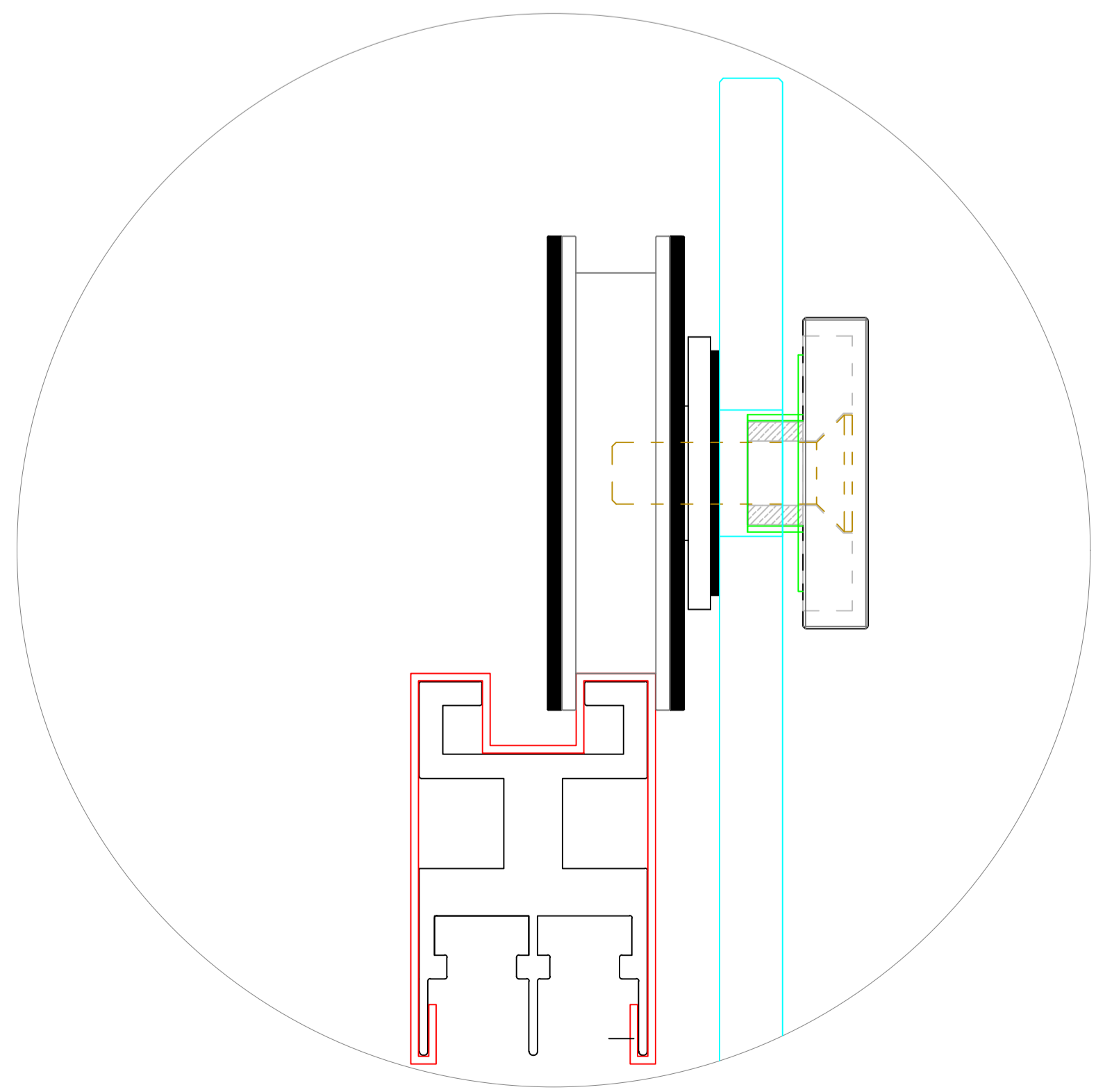
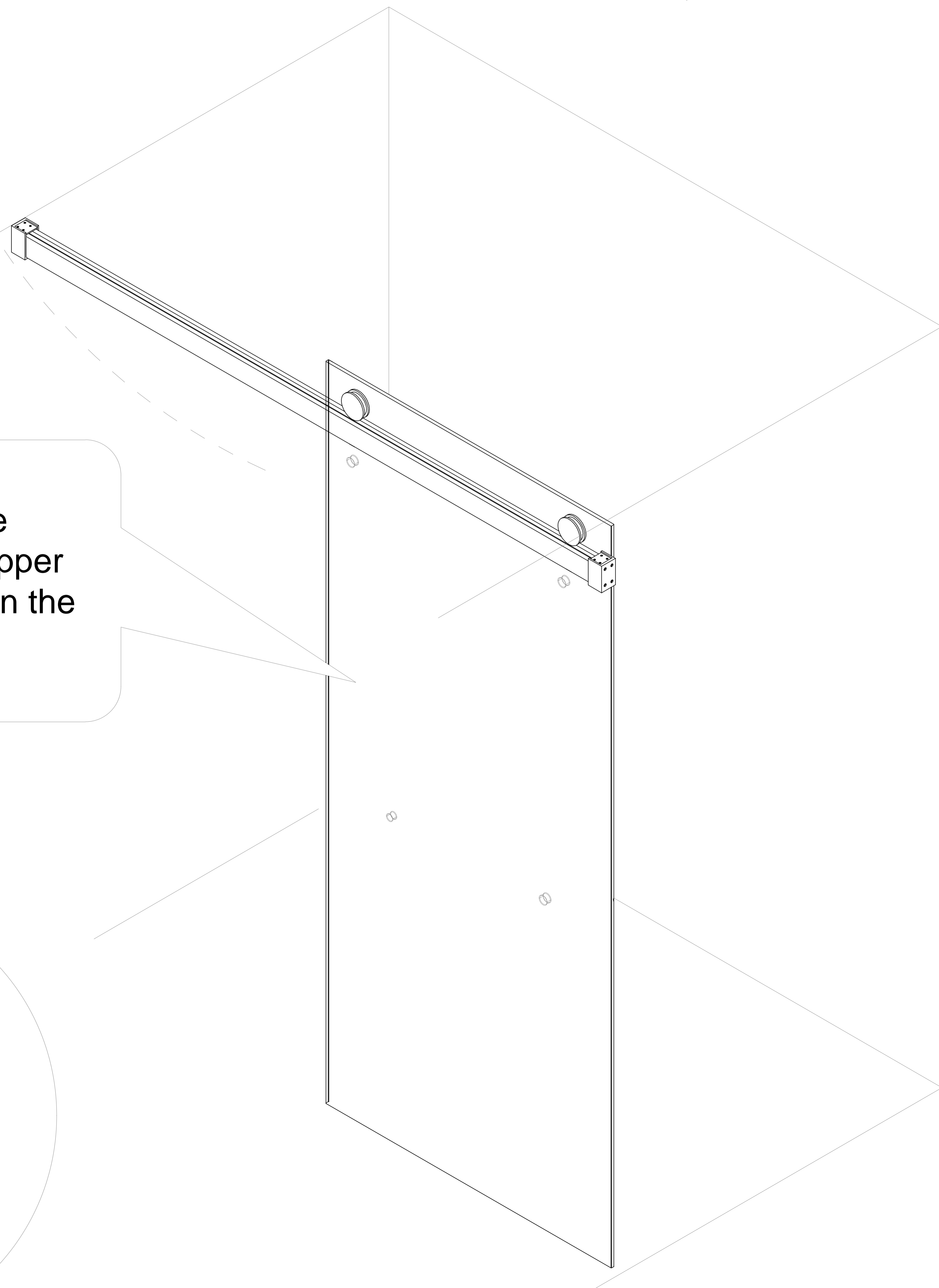


**STEP-3: Install the first glass door.**

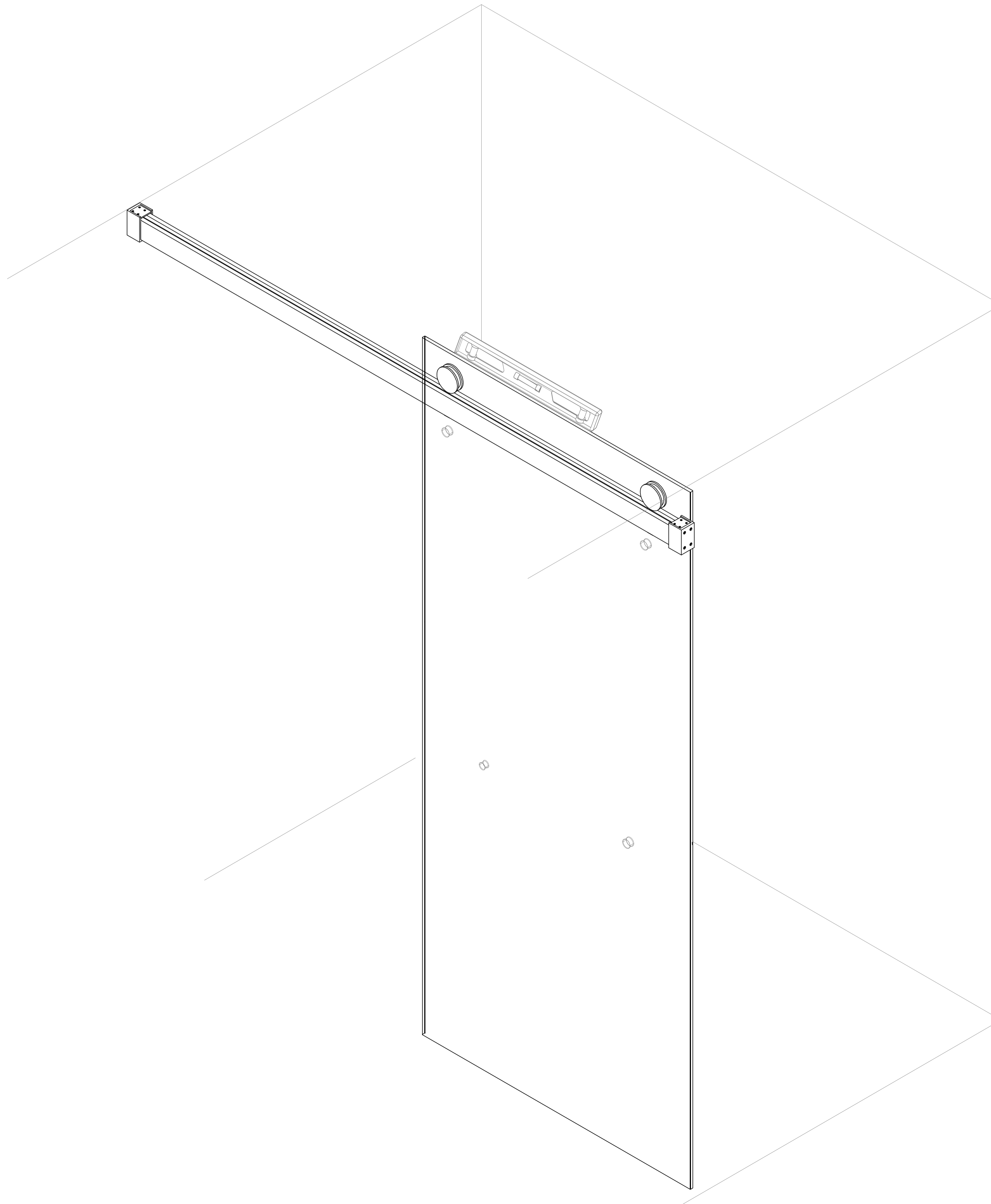
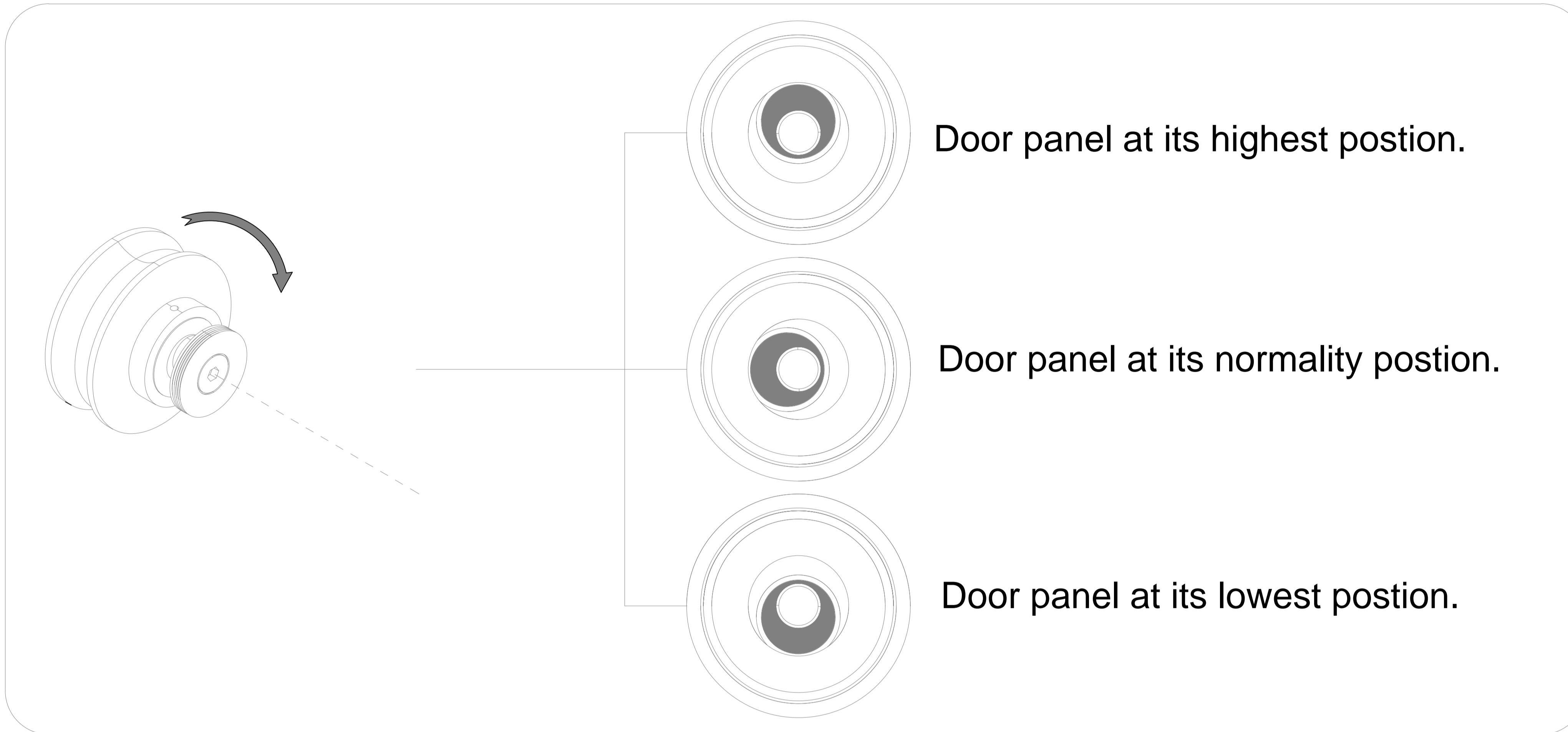
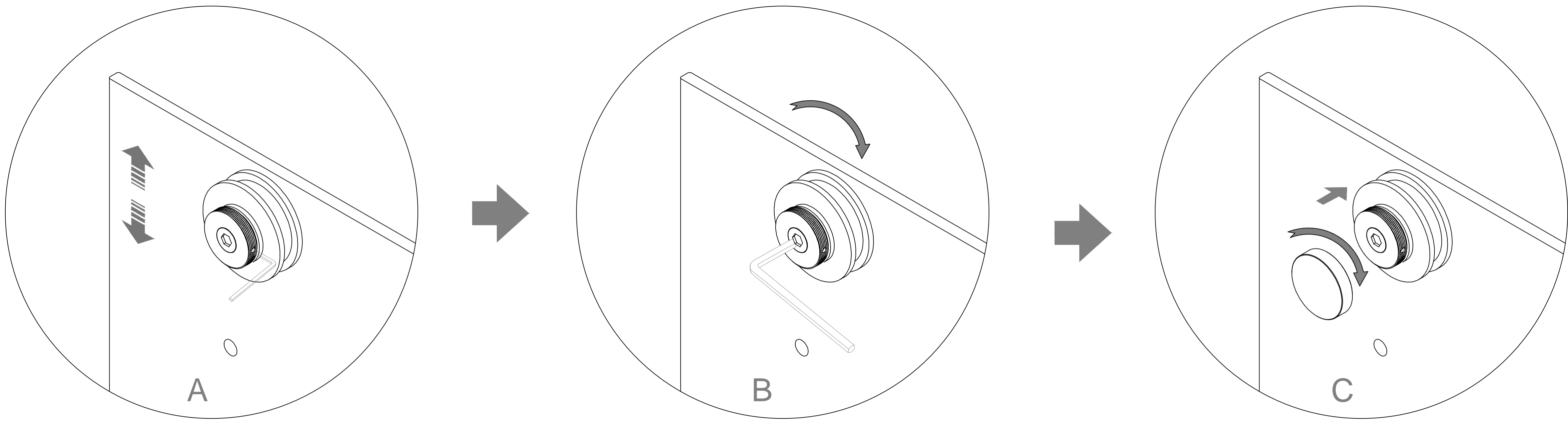
Only installing the upper pulley of door.



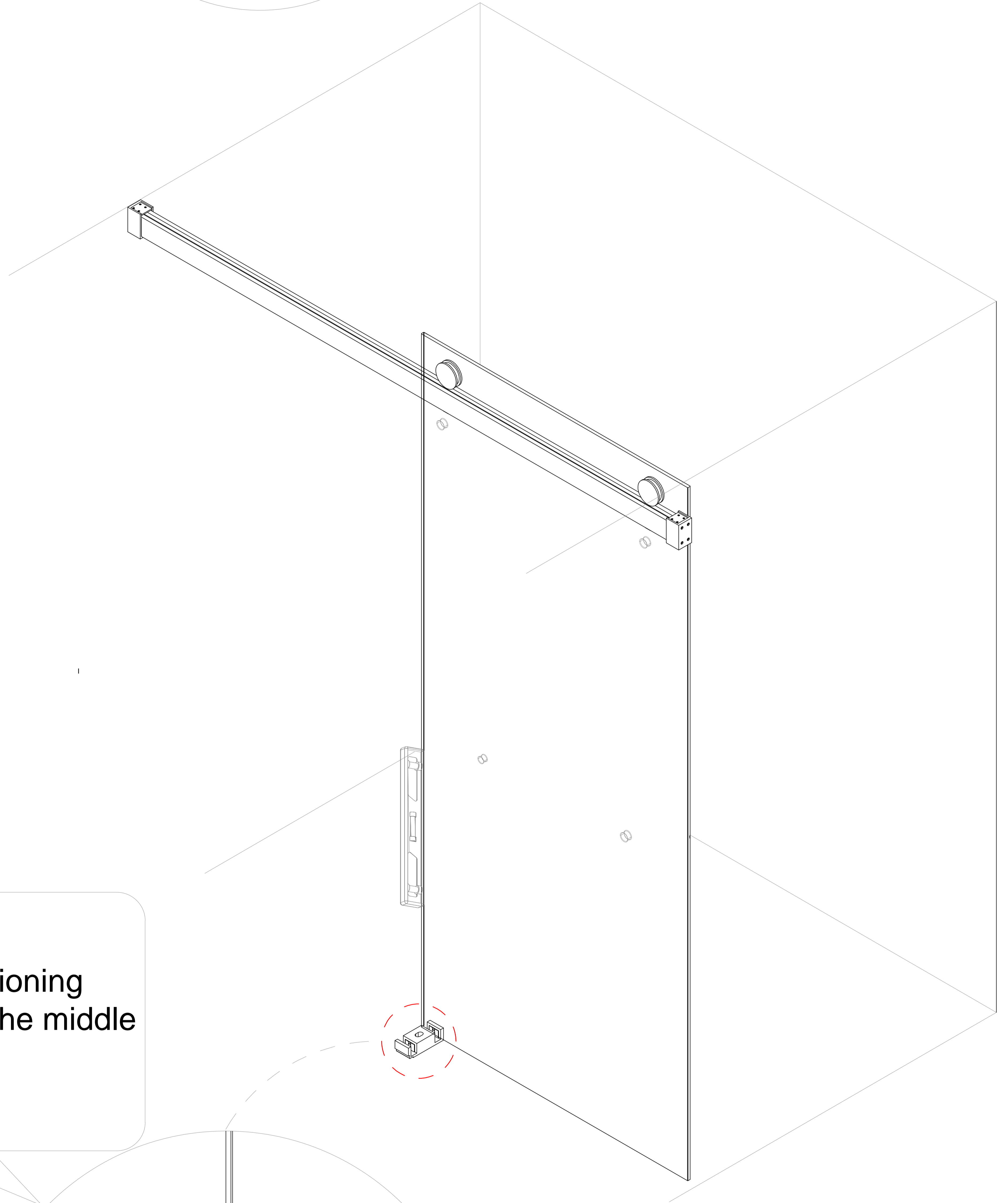
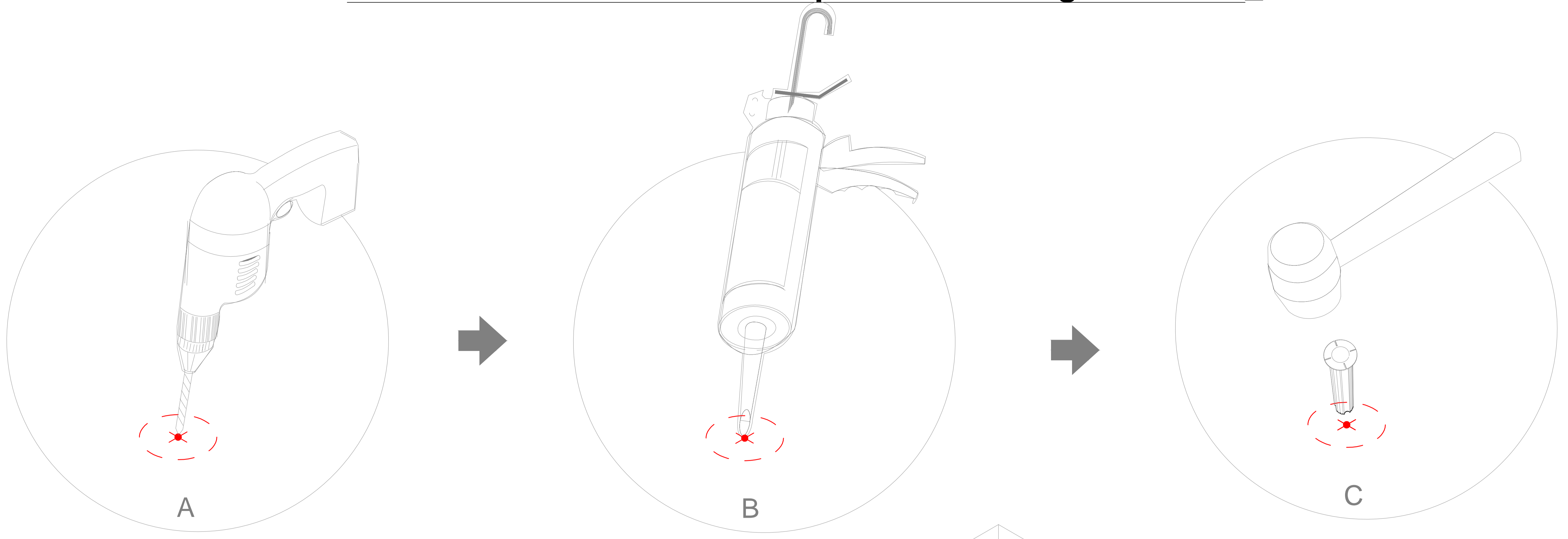
Put the movable glass with the upper pulley installed in the shower room.



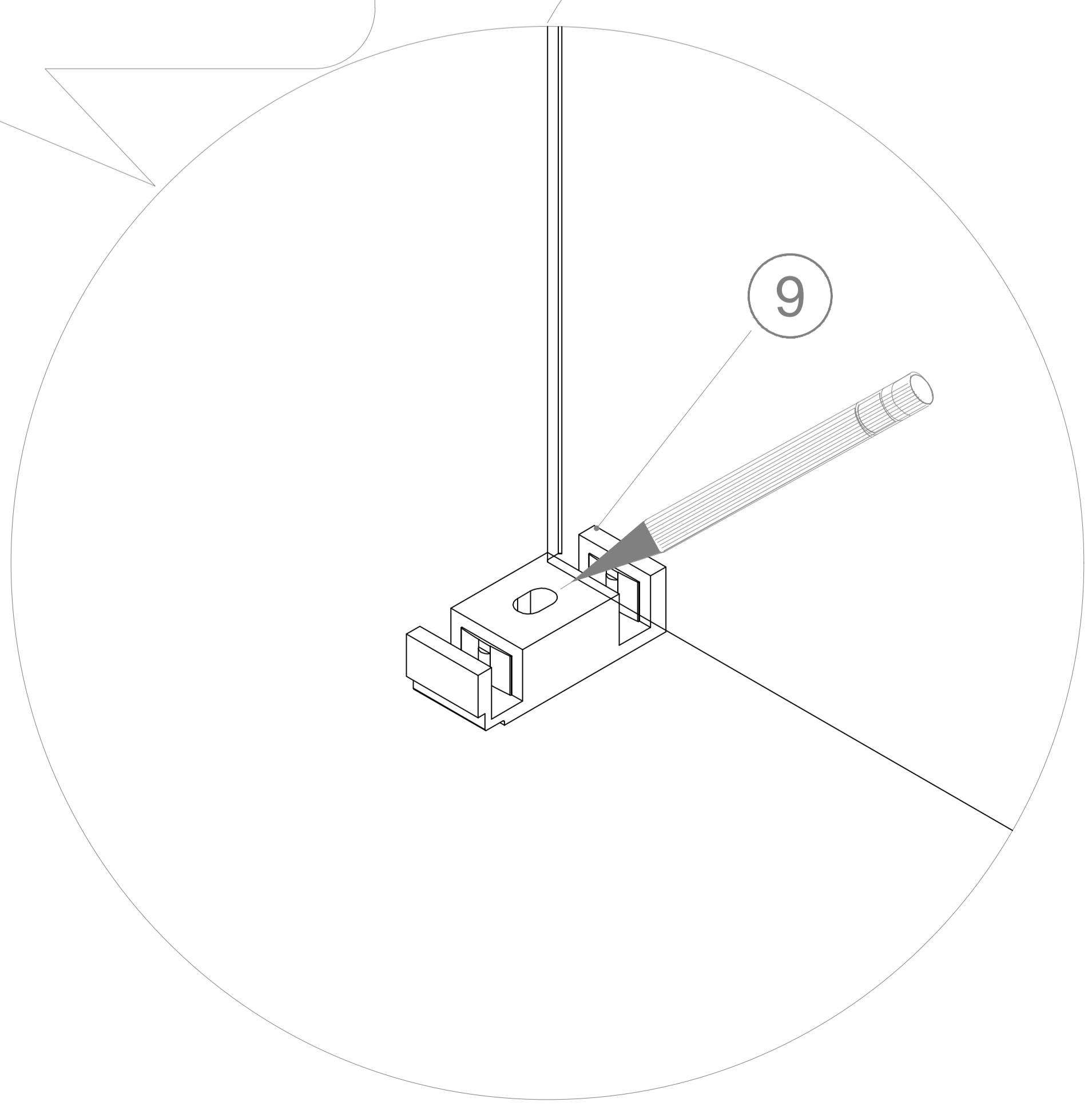
**STEP-4:Level the first glass door.**



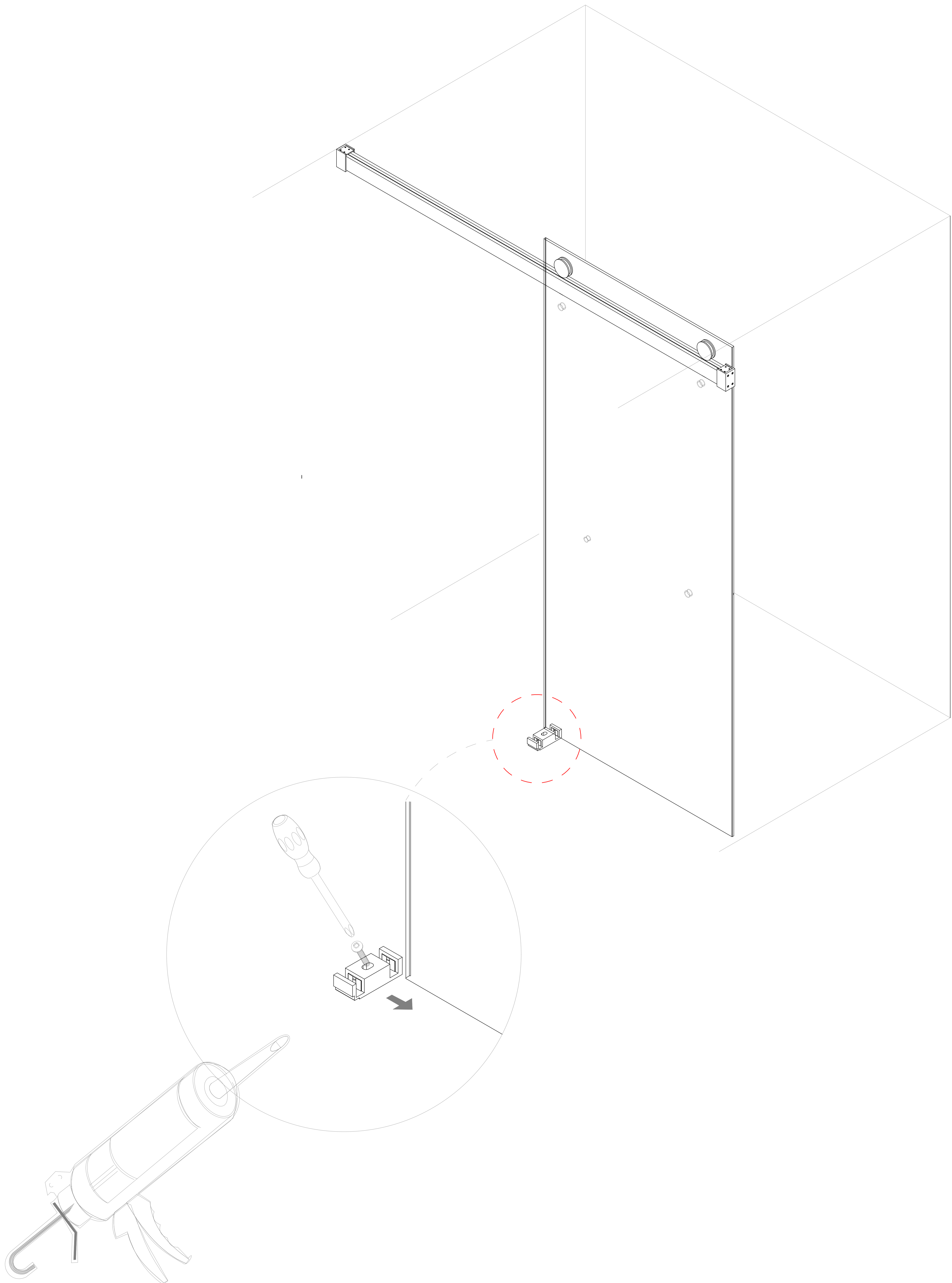
**STEP-5: Mark the installation position of the guide block.**



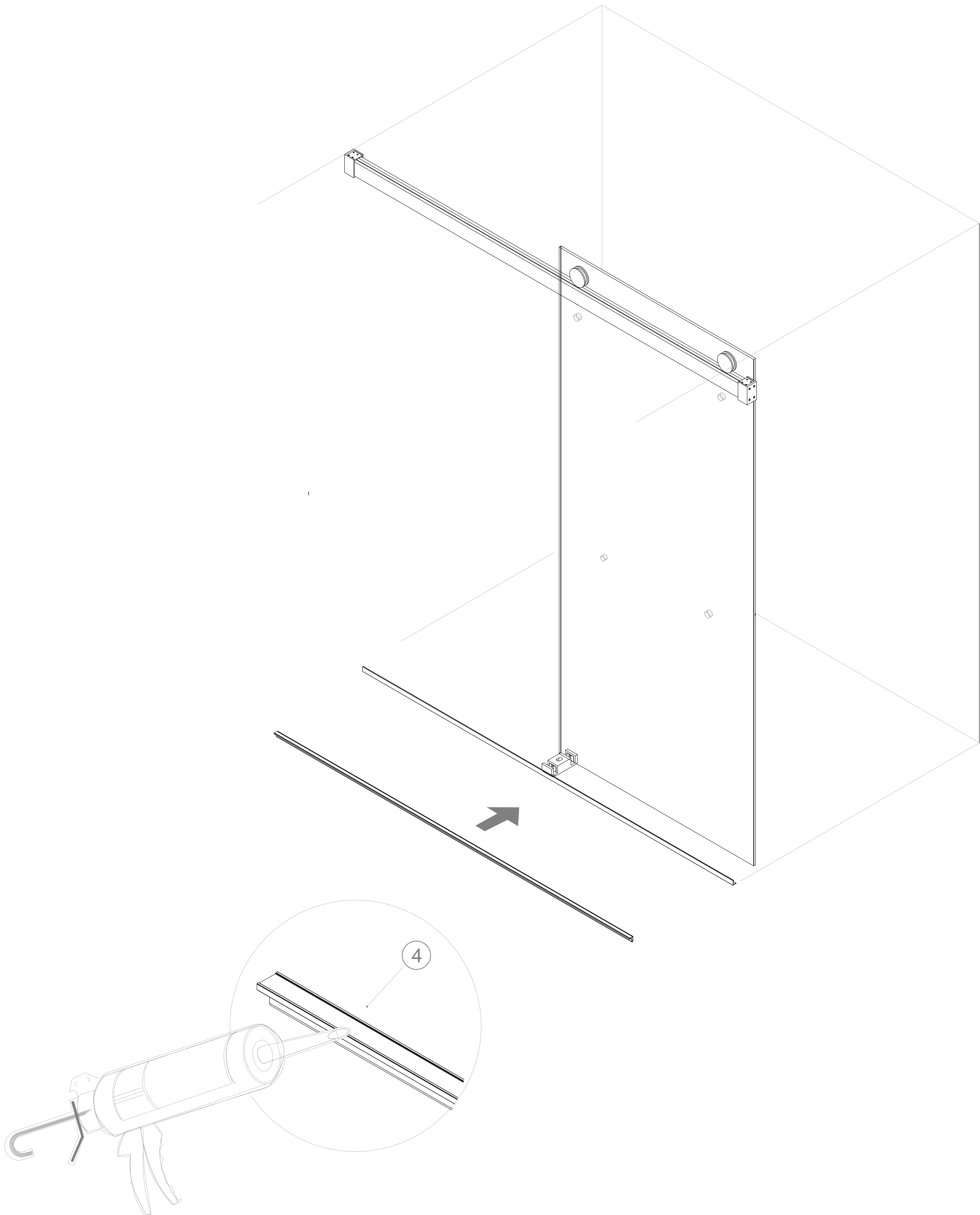
Install the positioning  
guide block in the middle  
point.



**STEP-6: Mounting guide block.**

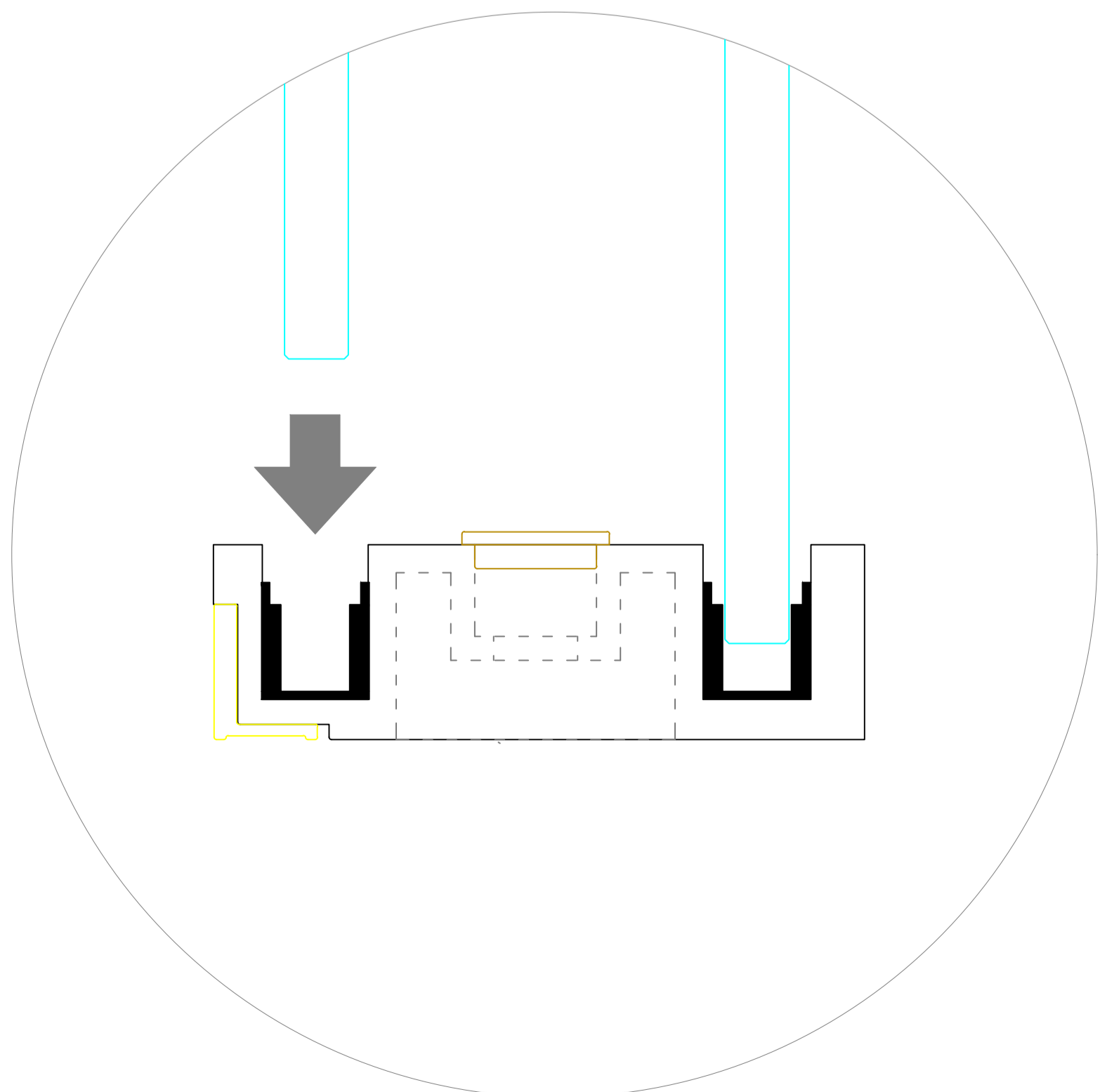
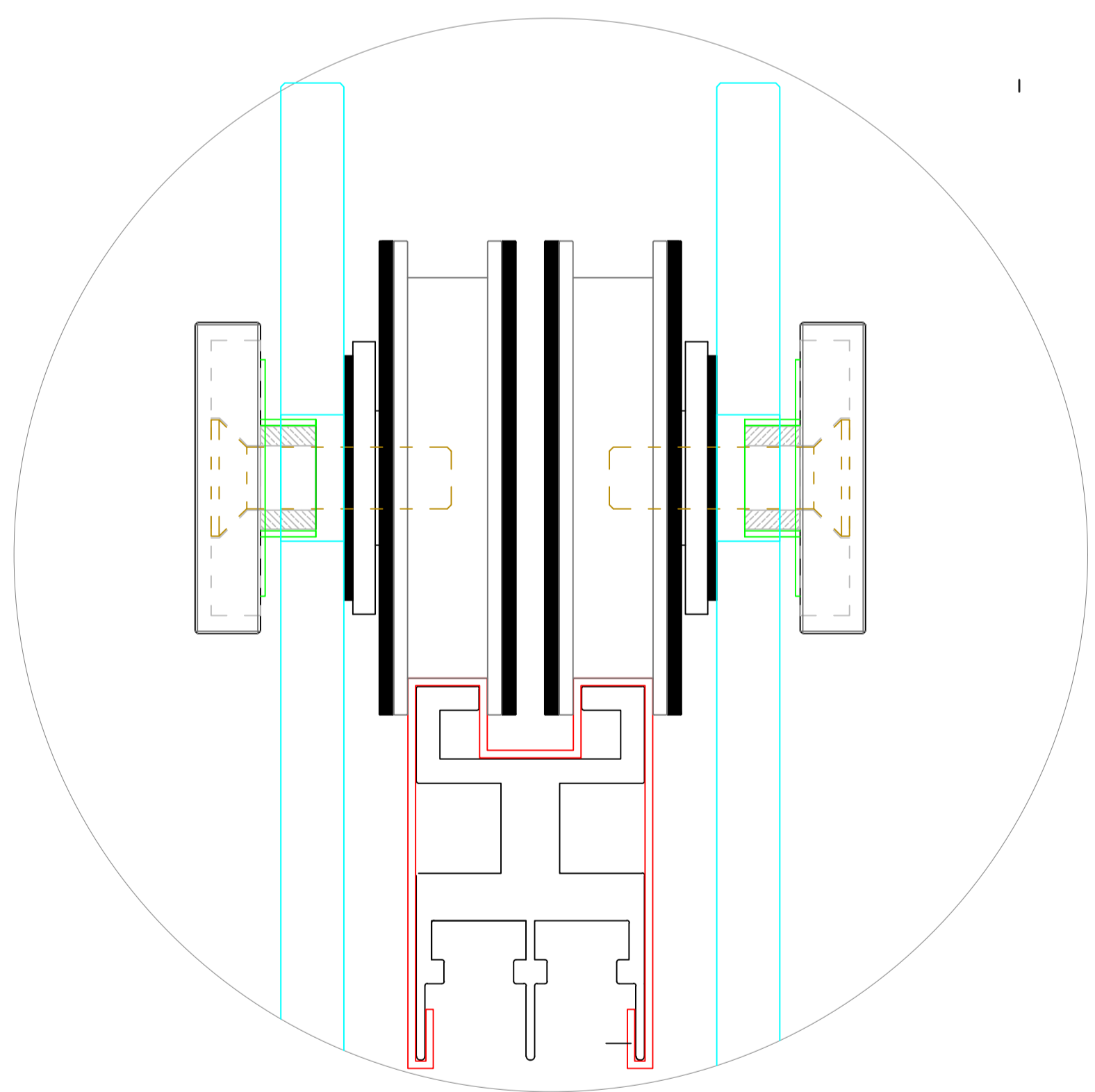
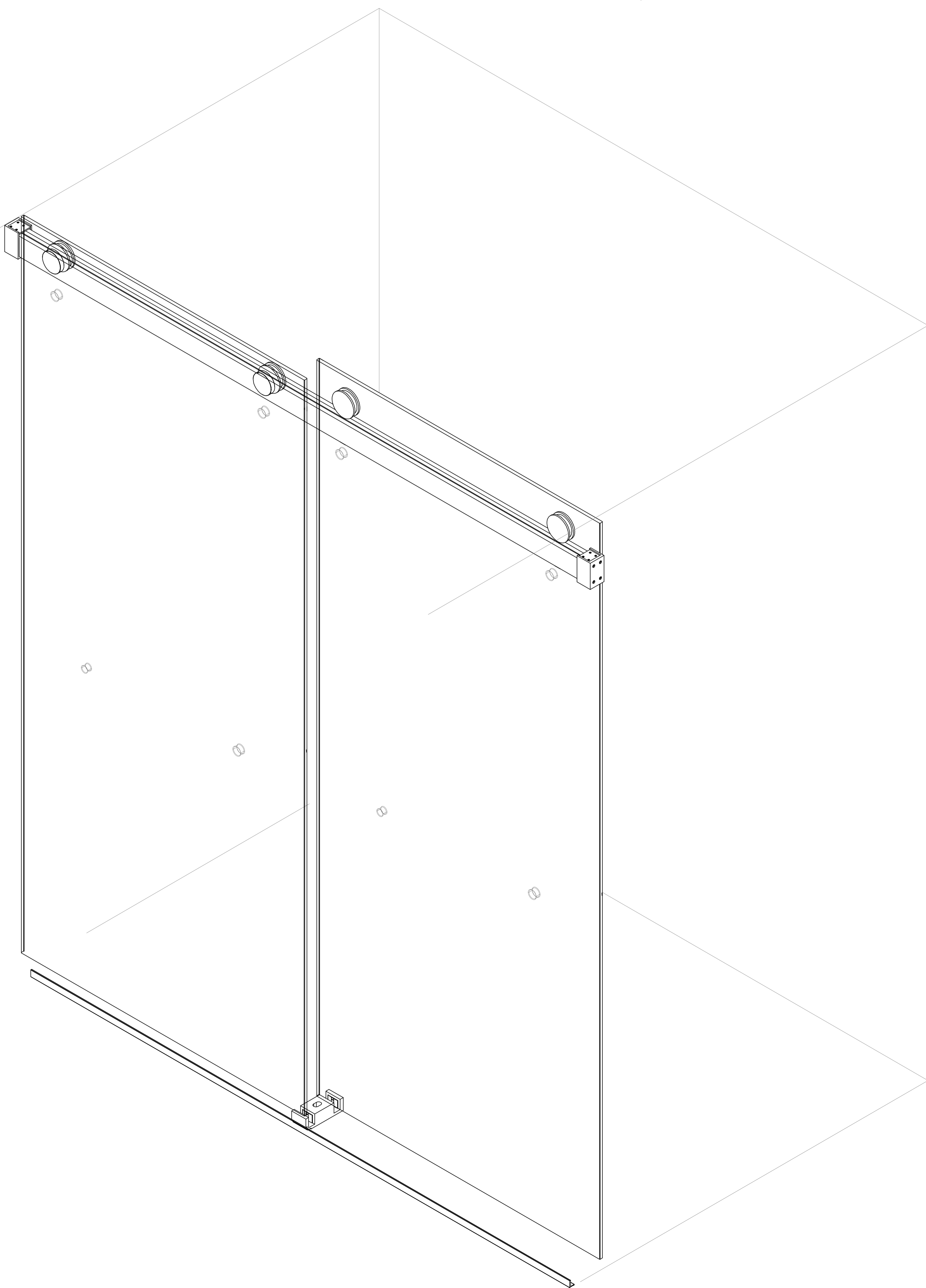
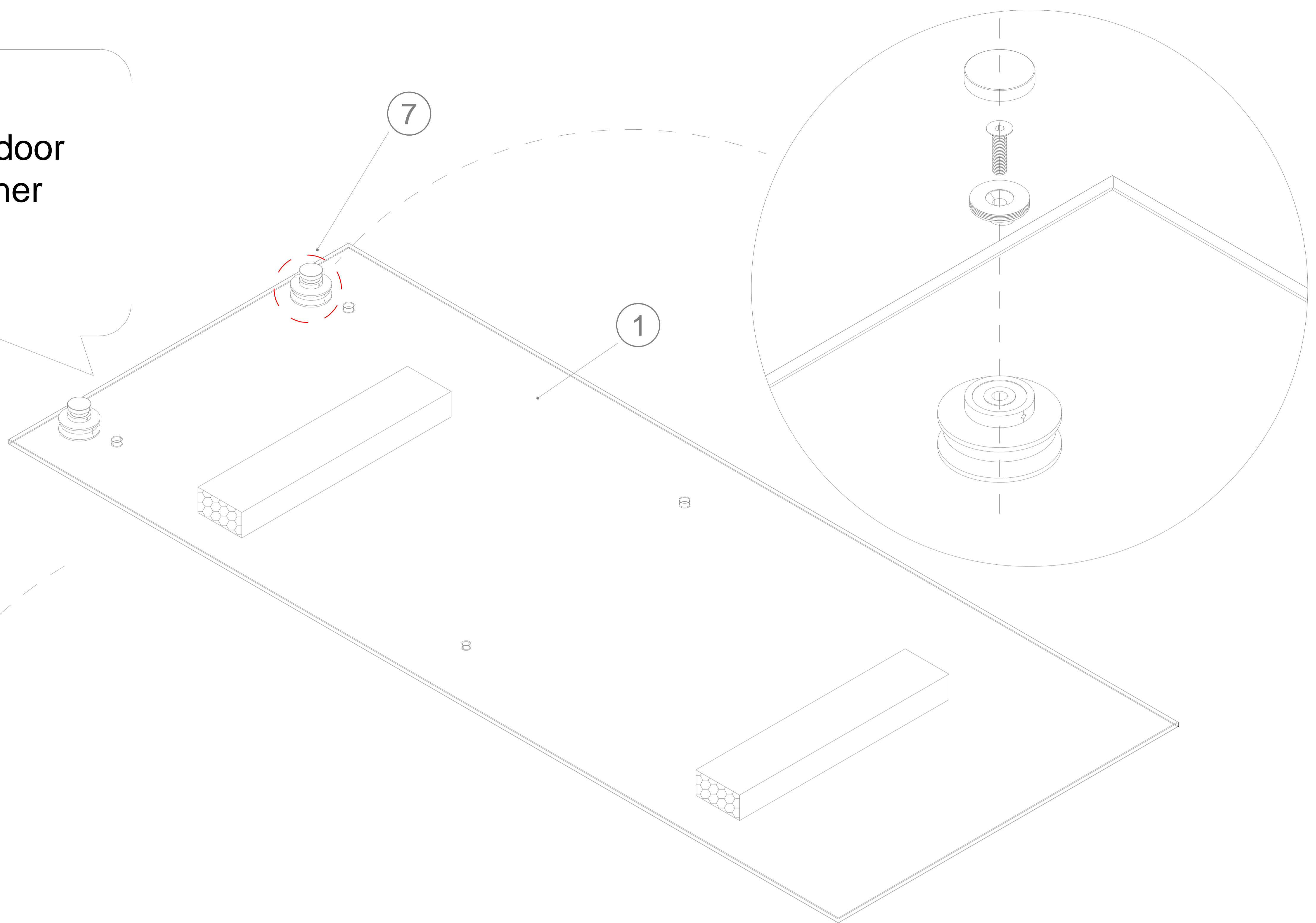


**STEP-7: Install lower water baffle.**

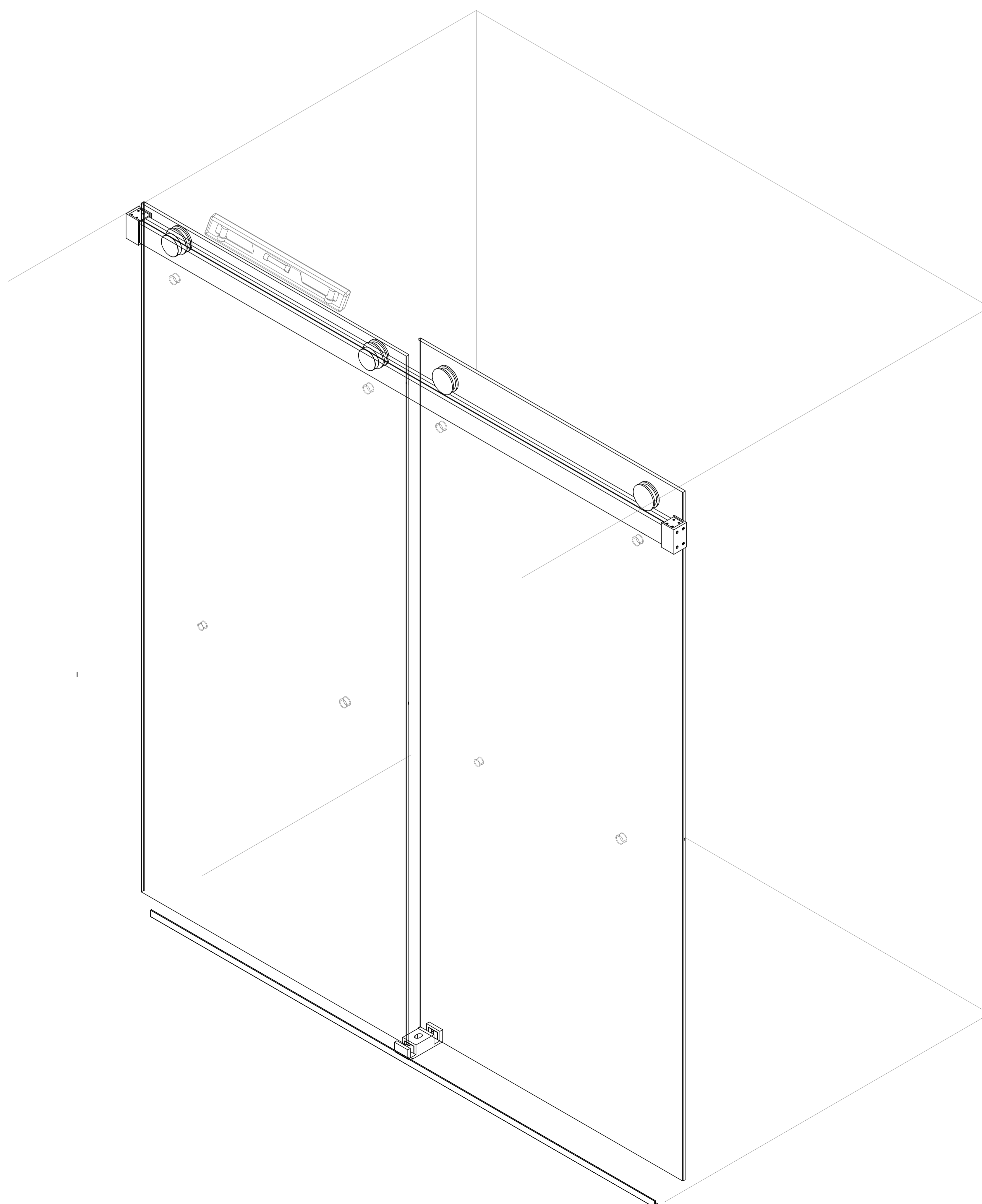
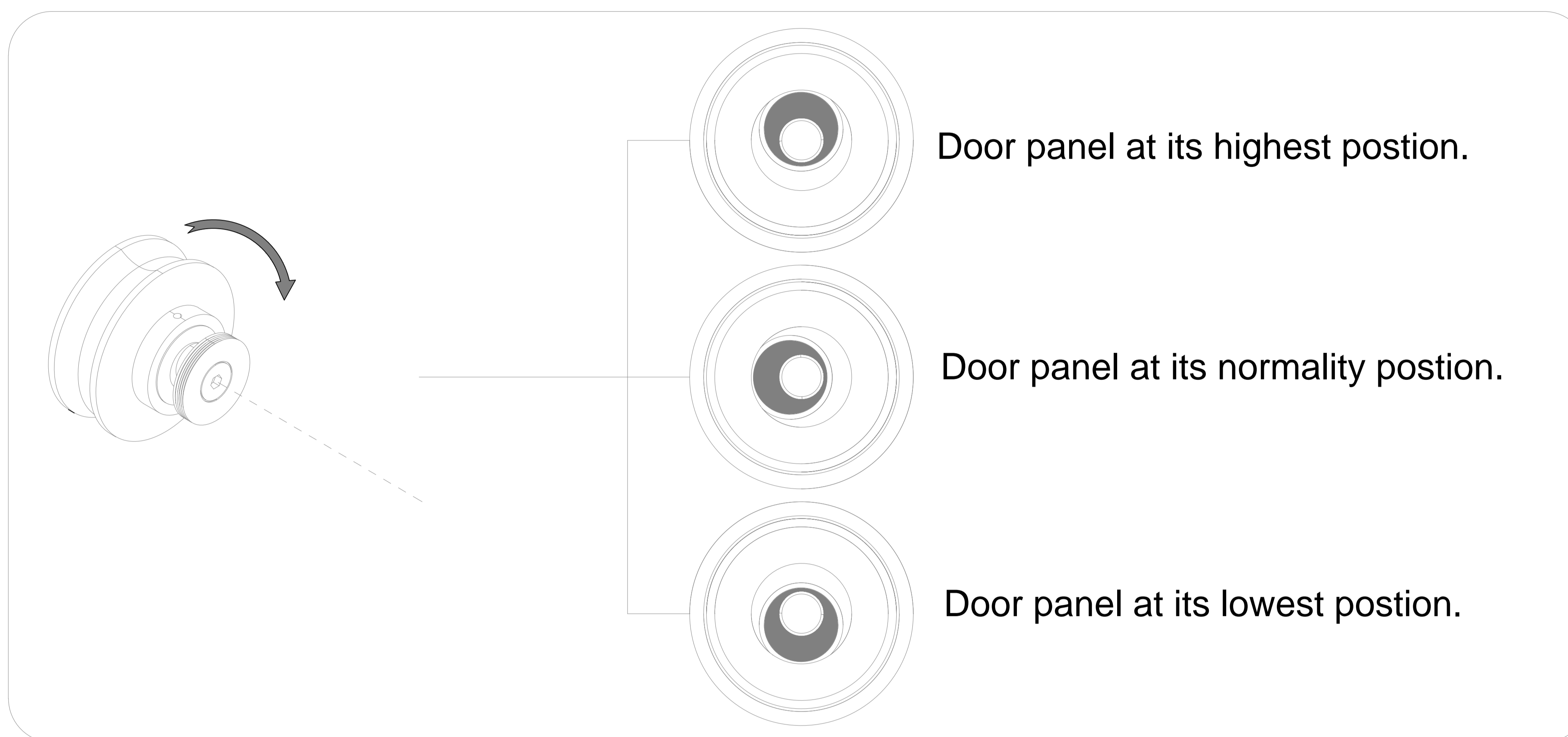
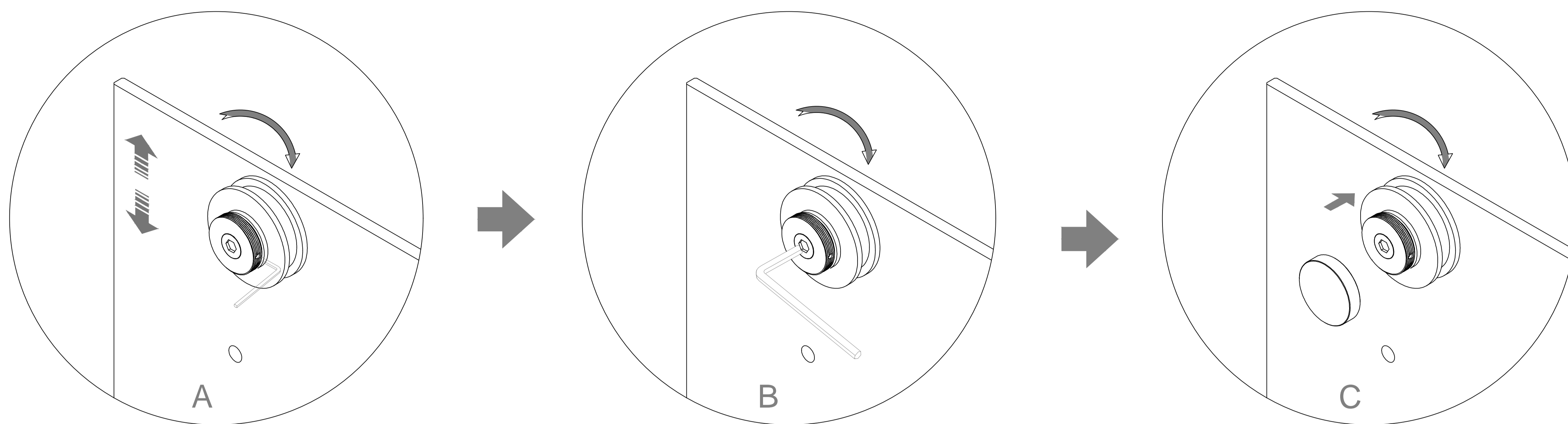


**STEP-8: Install the second glass door.**

Only install the door pulley on the other door glass.



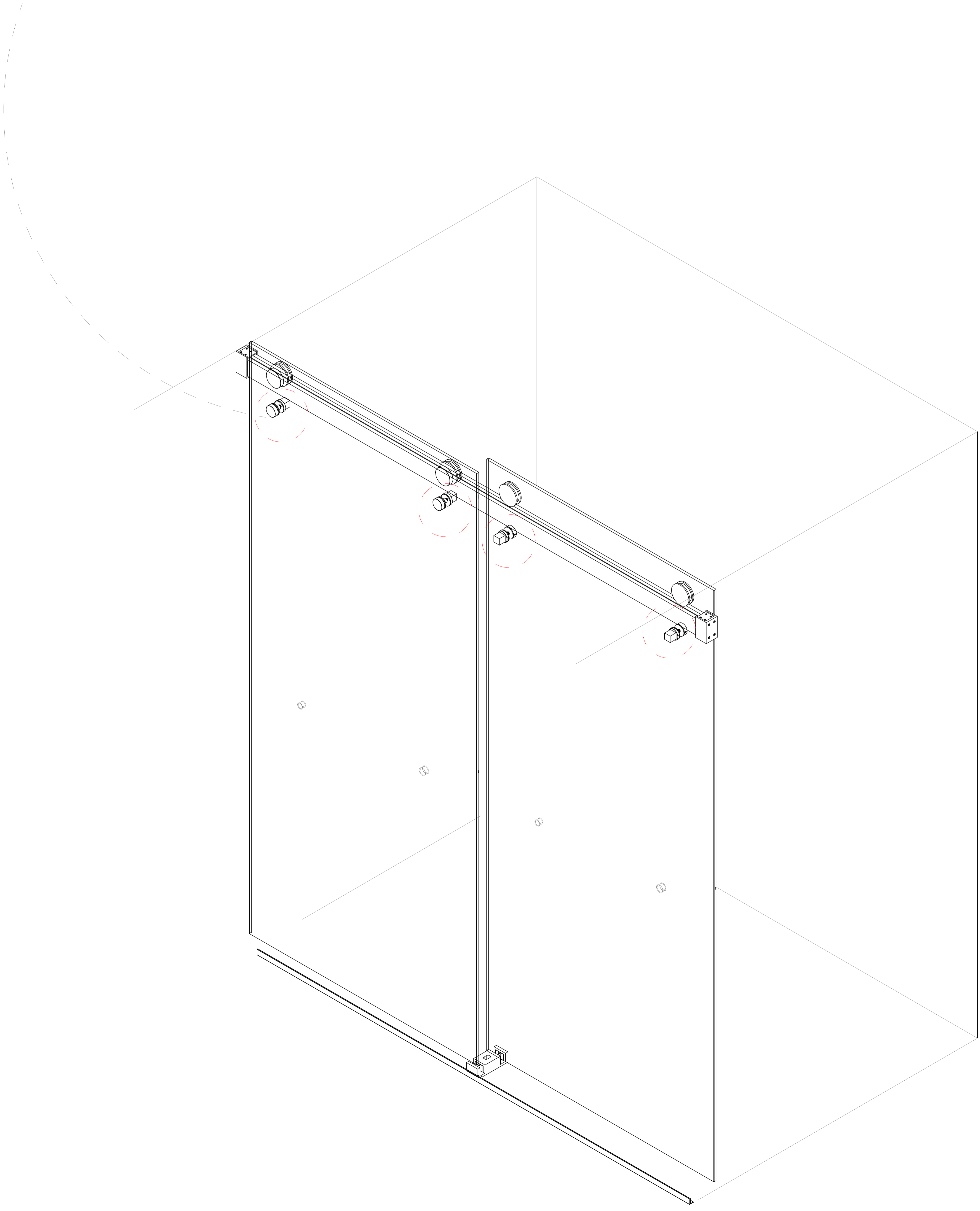
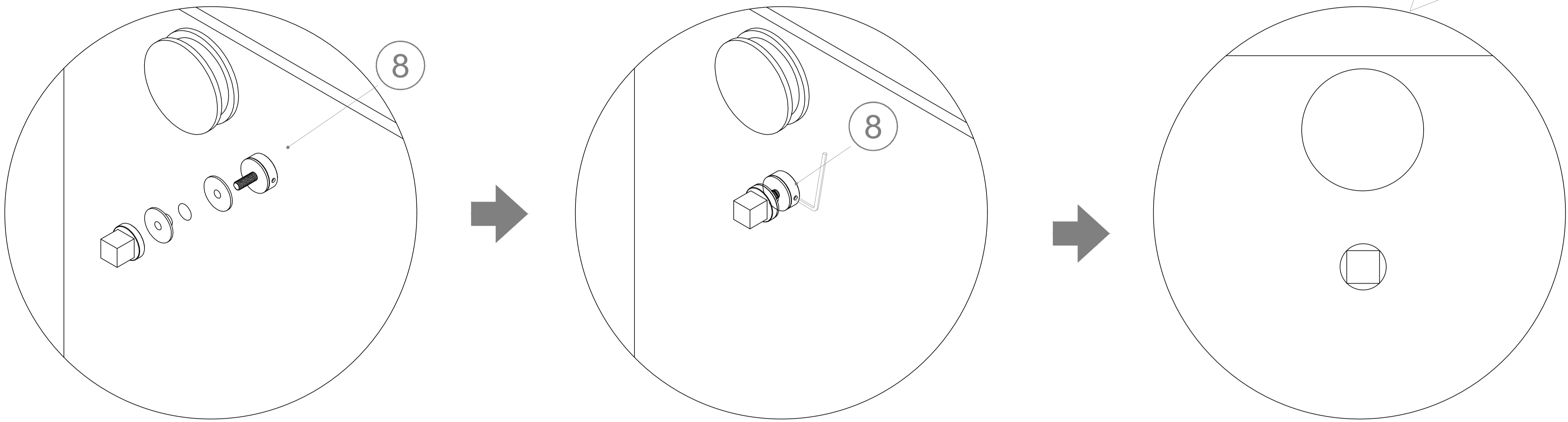
**STEP-9:Level the second glass door.**





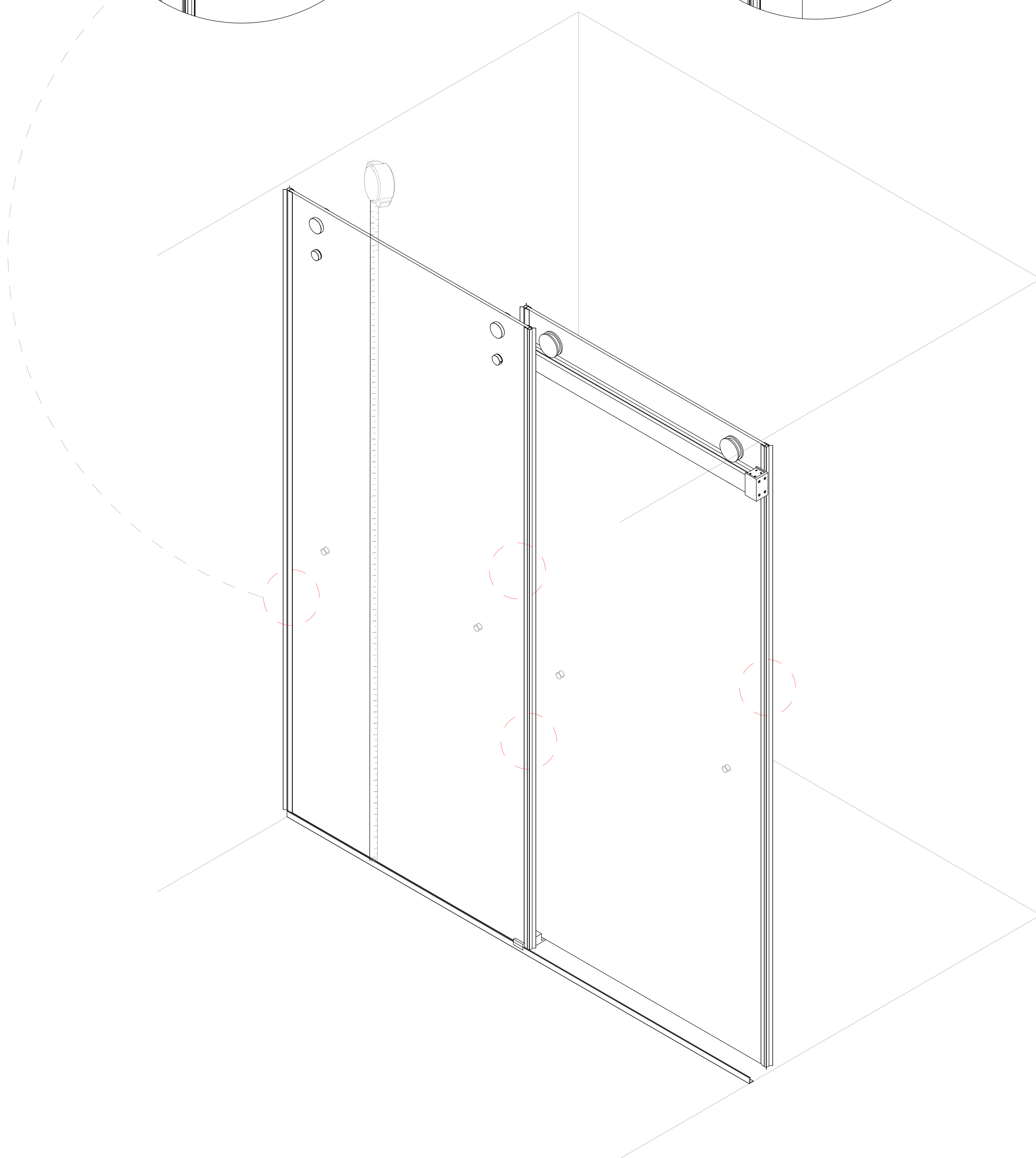
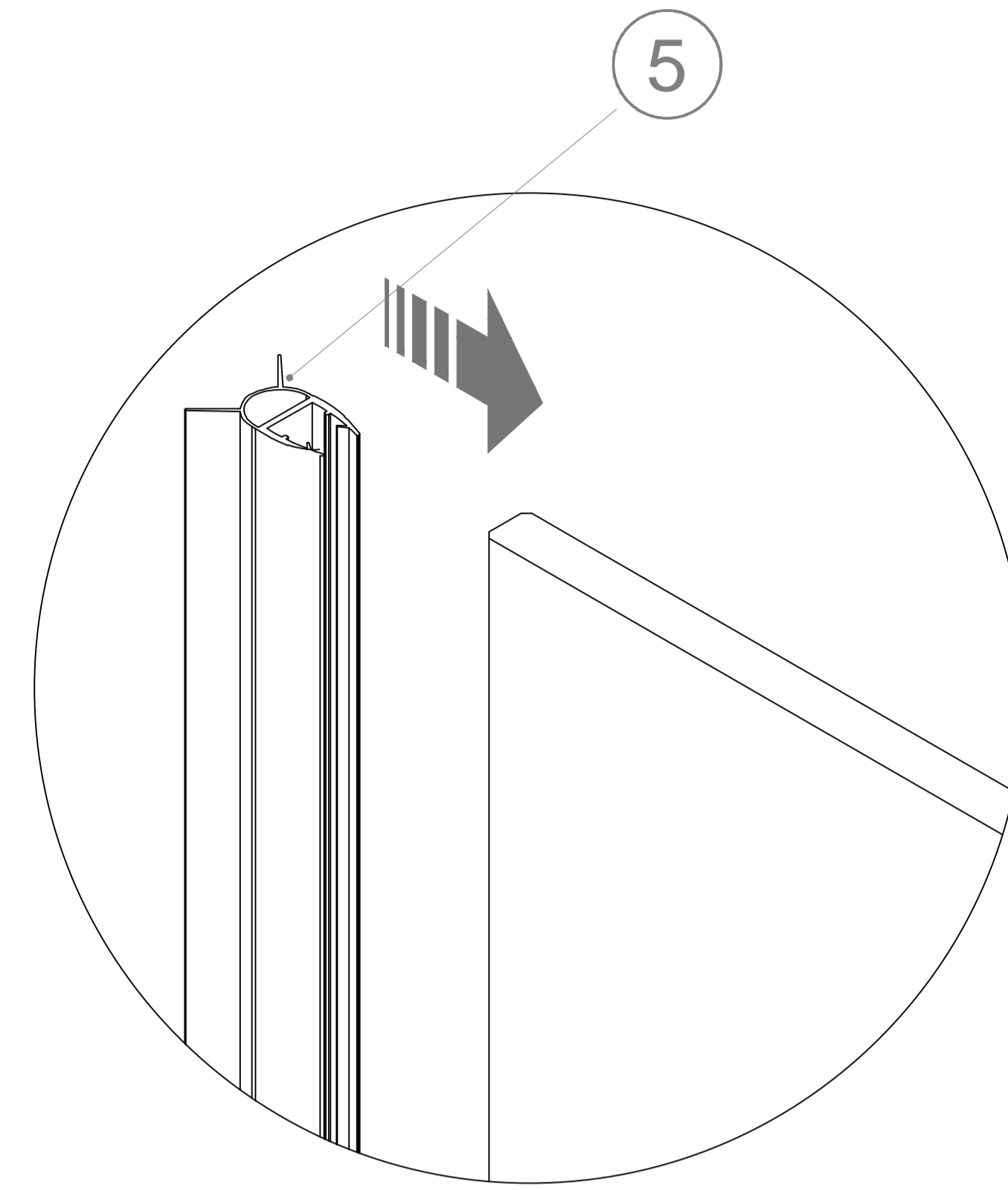
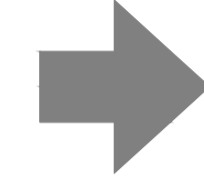
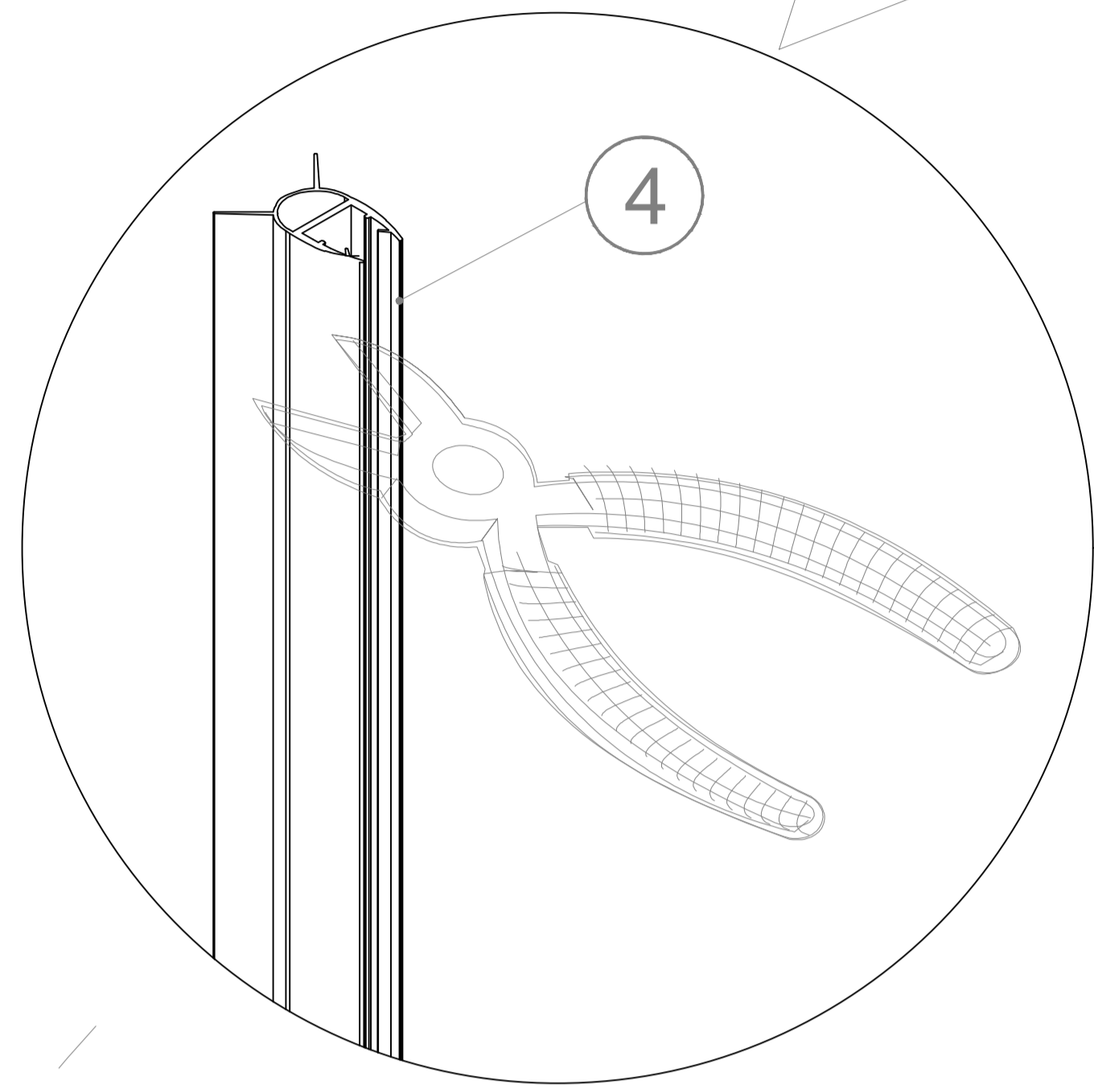
**STEP-10: Install the anti-jump trigger.**

The anti-jump trigger is perpendicular to the upper pull rod

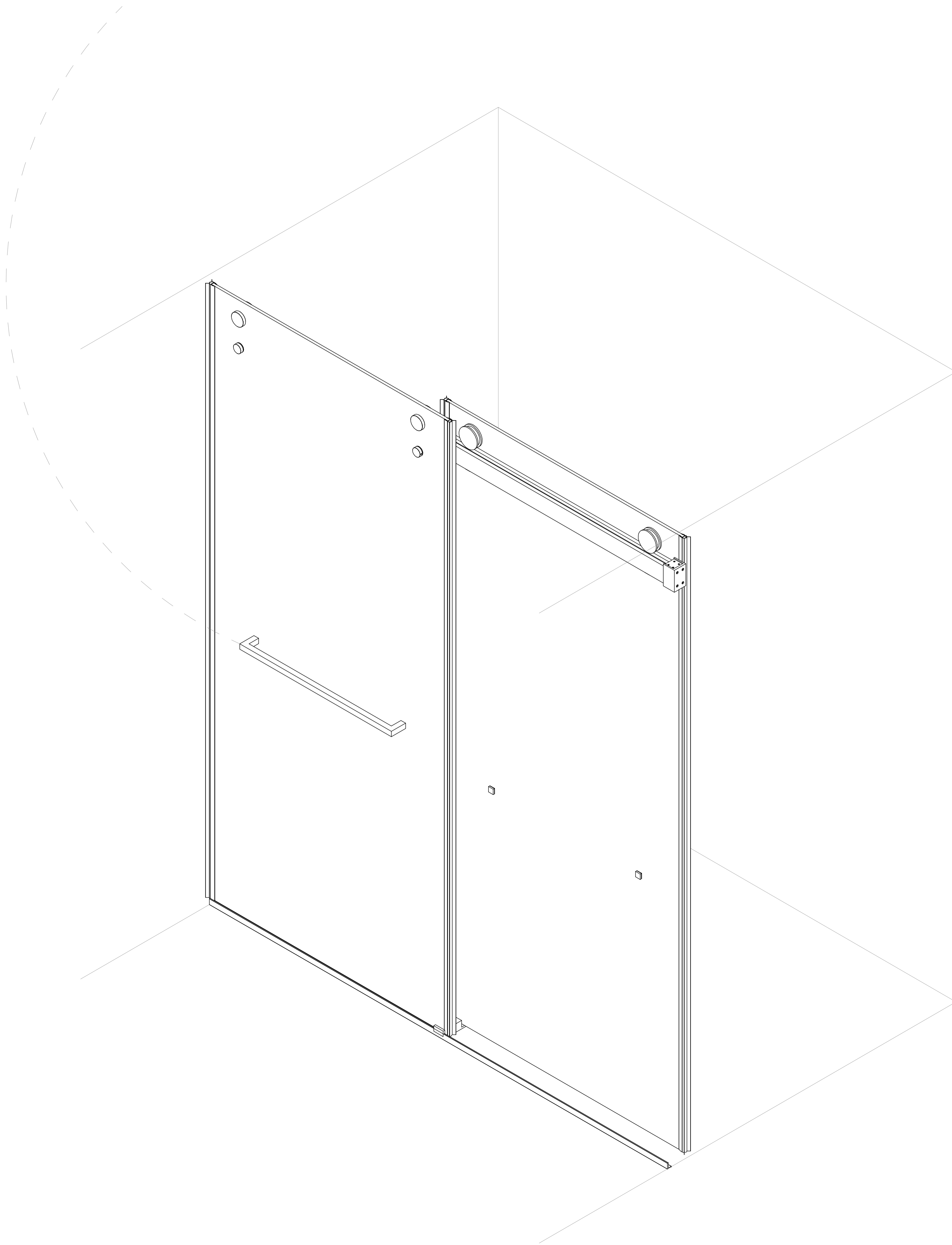
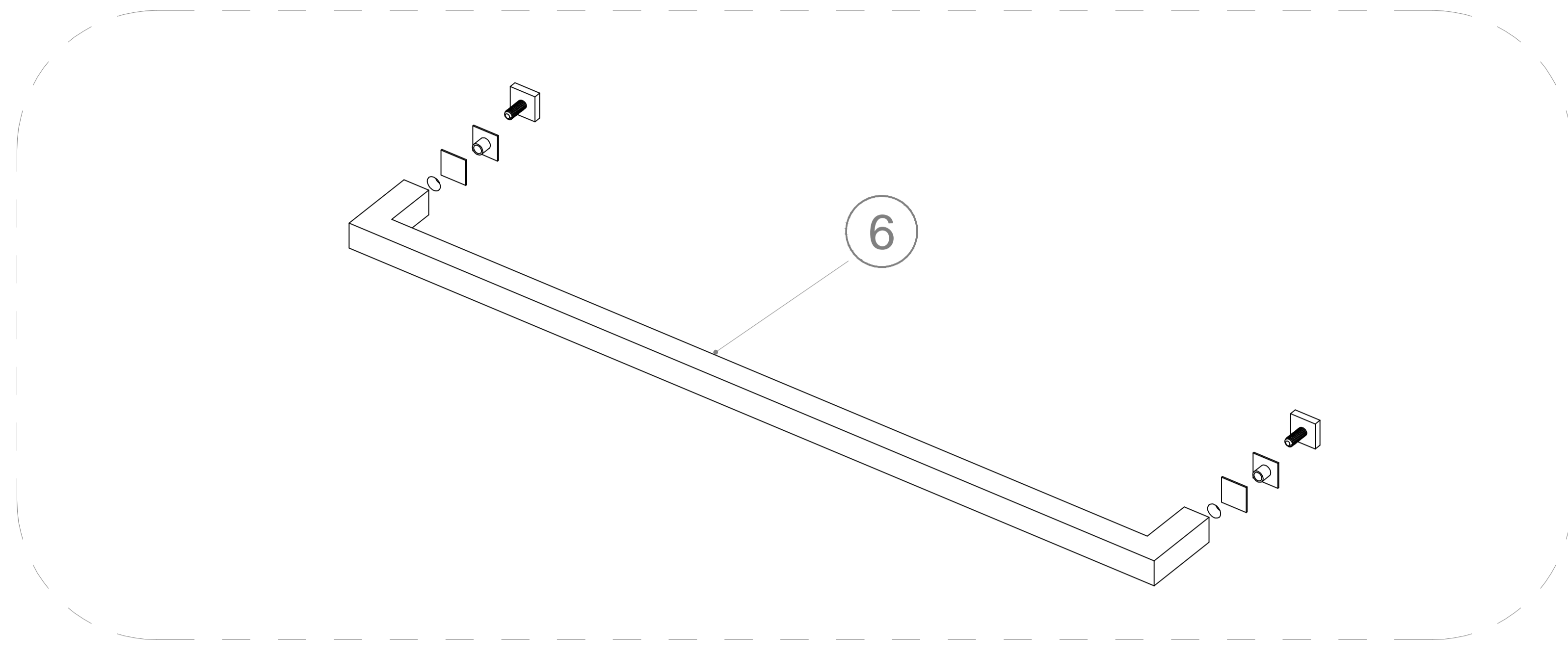


**STEP-11: Install waterproof rubber strips.**

Measure the glass height and cut the tape according to the glass height

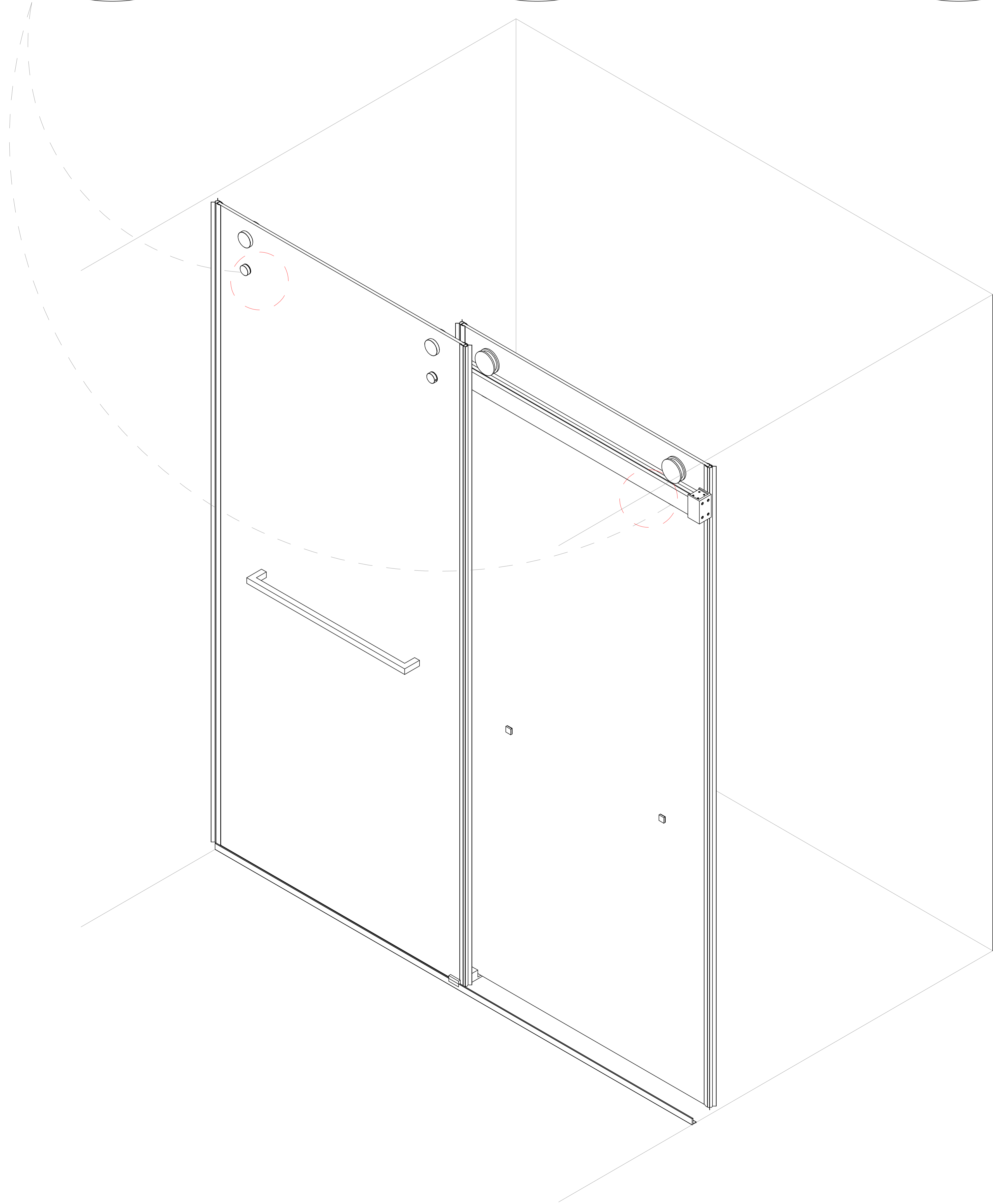
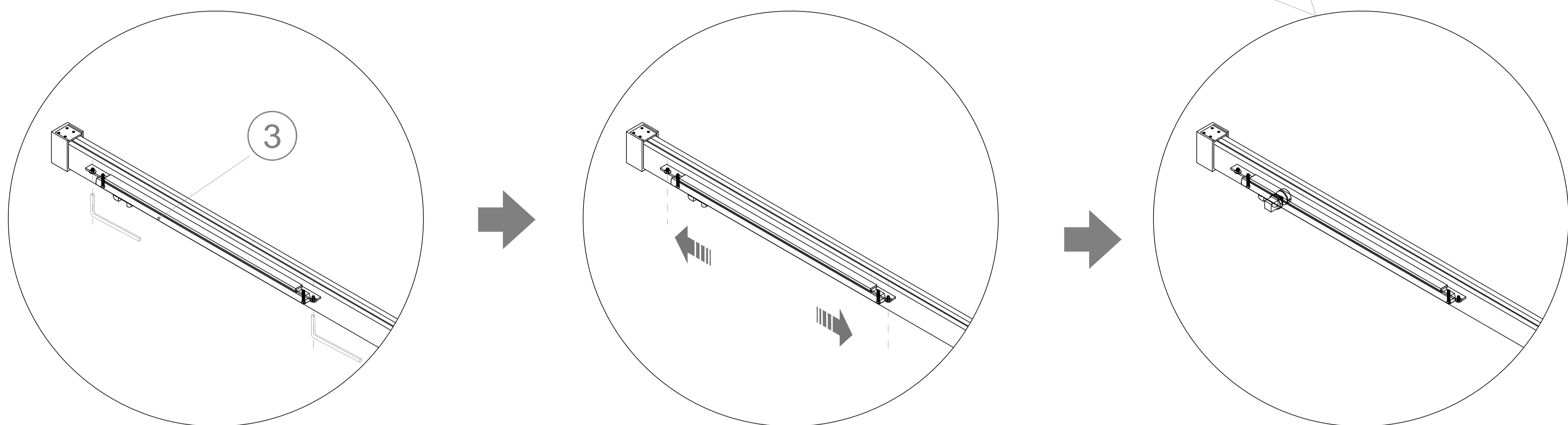


**STEP-12: Install the handle on the glass door.**

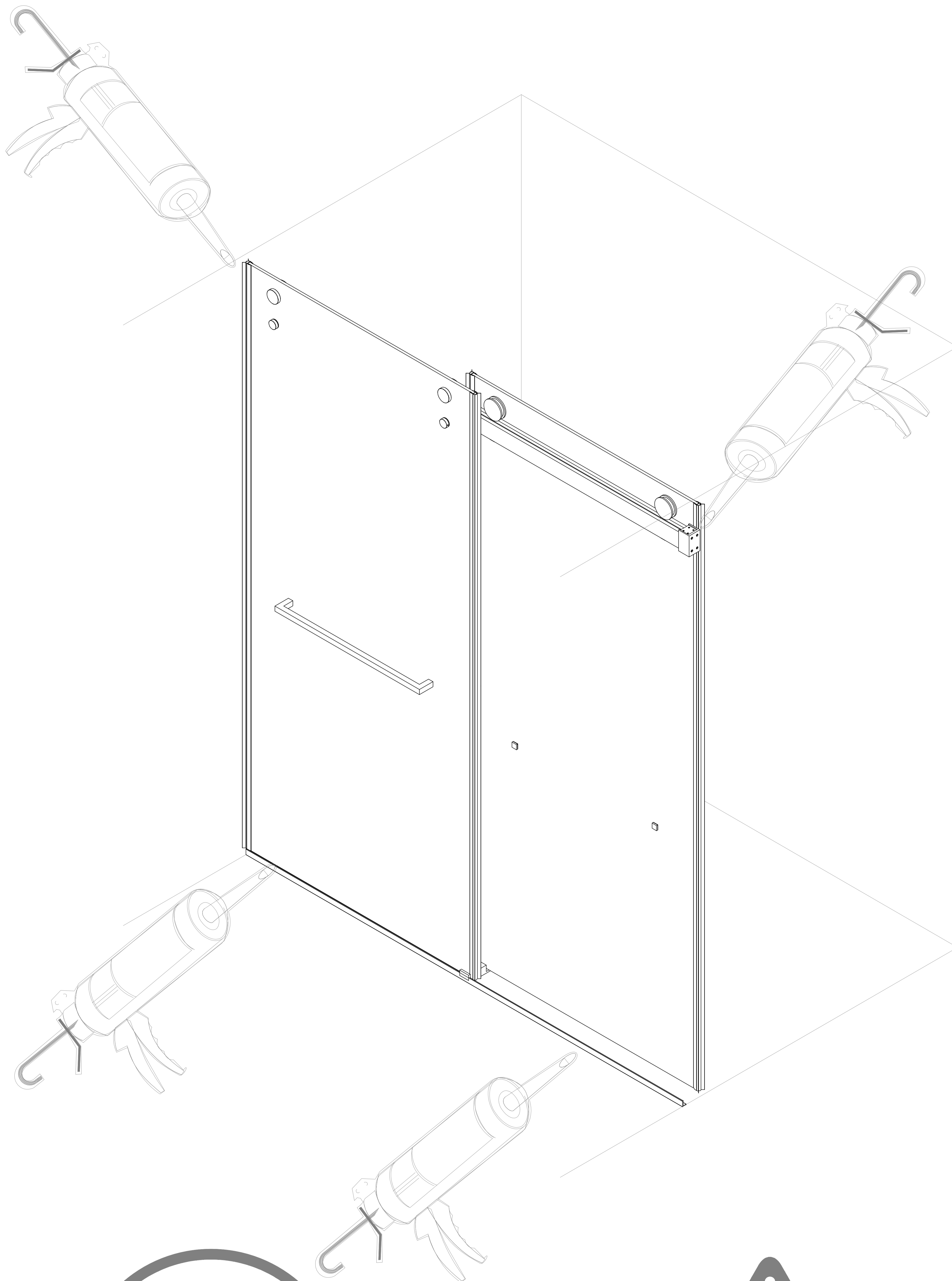


**STEP-13:Regulating buffer.**

Adjust the buffer, just caught on the anti-jump trigger



**STEP-14:Regulating buffer.**

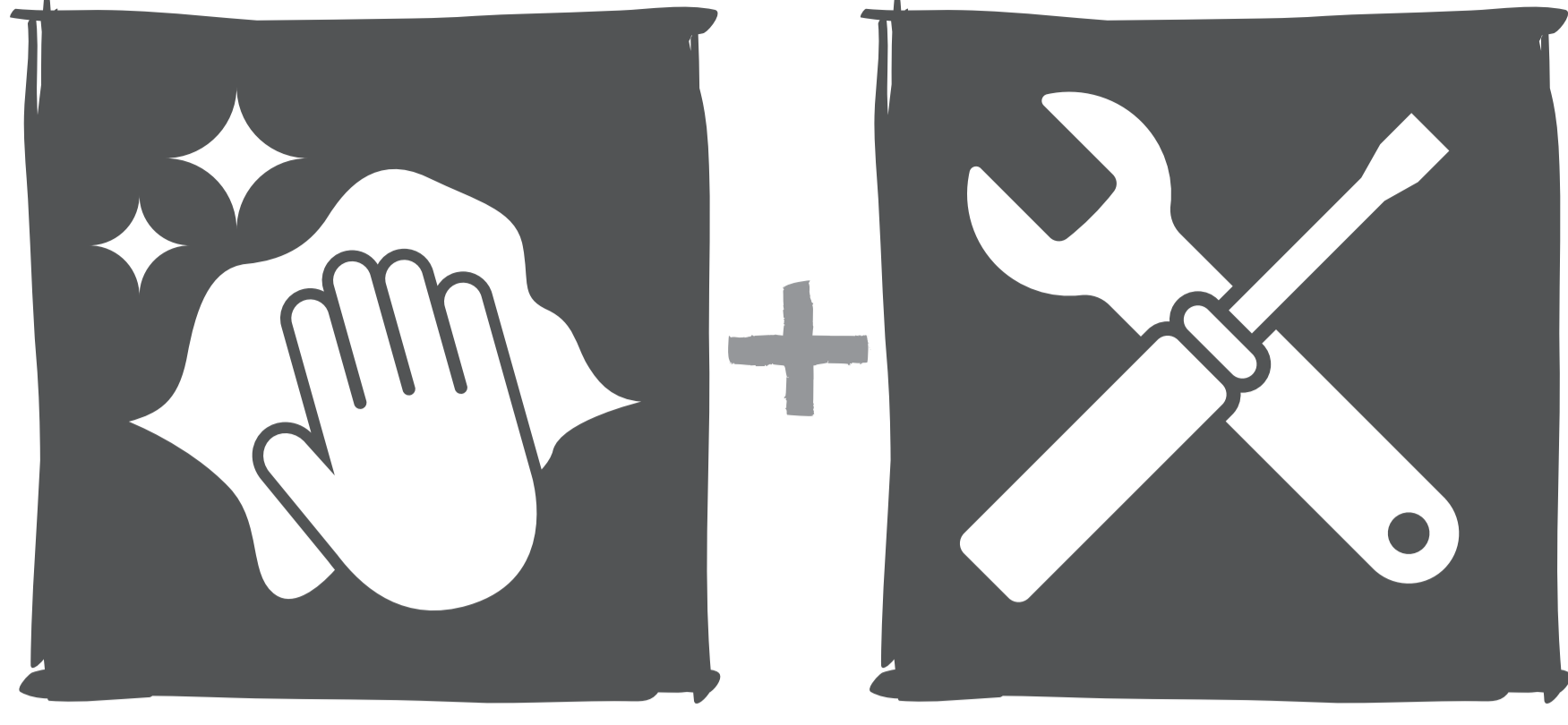


**24** HOURS HEURES



**ONLY SEAL THE OUTSIDE OF THE SHOWER. DO NOT APPLY SILICONE TO THE INSIDE OF THE SHOWER**

**SCELLER SEULEMENT L'EXTÉRIEUR DE LA DOUCHE. NE PAS APPLIQUER LA SILICONE À L'INTÉRIEUR DE LA DOUCHE.**



## Care & Maintenance

### The golden rules for care

**NOTE:** Use warm soapy water and a soft damp cloth to keep the glass clean. Wipe dry with a clean cloth. Glass cleaner can be used if required. Scourers, abrasives and chemical cleaners can damage the glass and pattern, and should not be used.

In hard water areas, insoluble lime salts may be deposited on the glass. If this is allowed to build up it becomes increasingly difficult to remove and looks unsightly. Regular cleaning will minimize this effect.

- Do not attempt to cut the glass.
  - Do not strike the glass with hard or pointed items.
  - Regularly check moving parts such as rollers and hinges to ensure they are secure and adjusted correctly. Tighten and adjust where required. Also check all sealed joints to ensure seal has not deteriorated. Re-seal if required.
-