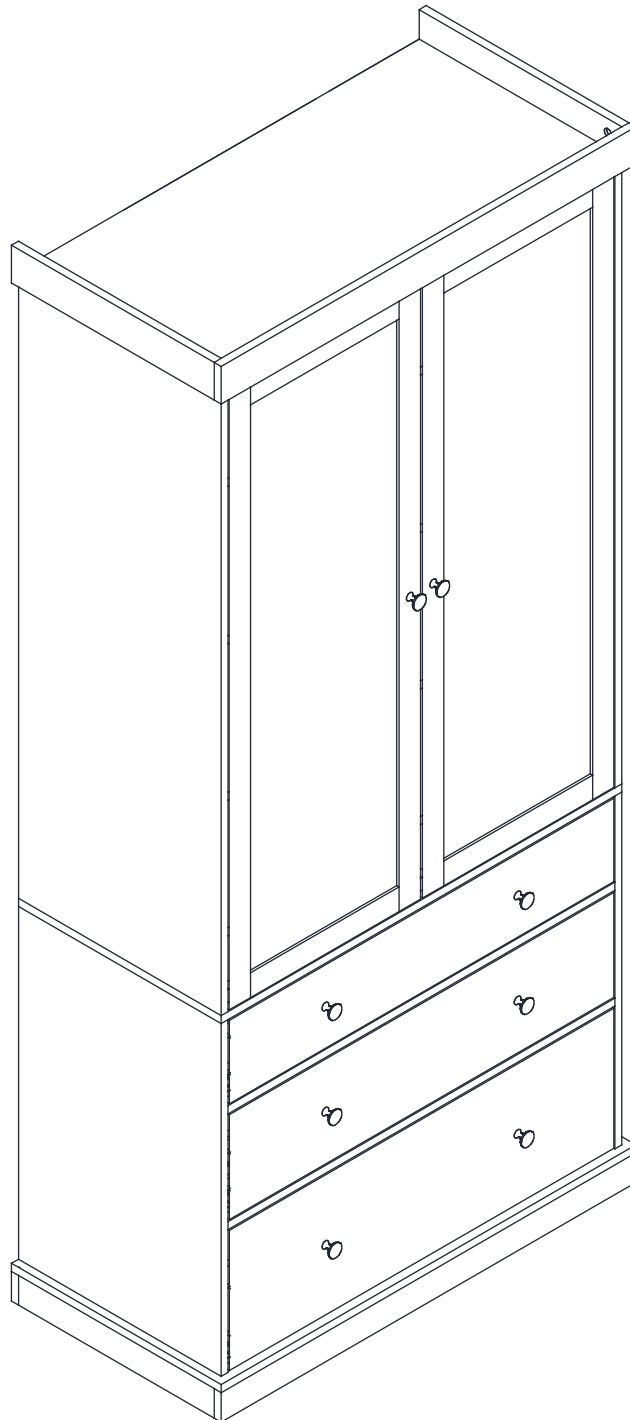


Kitchen pantry

Assembly Instructions - Please keep for future reference



Important – Please read these instructions fully before starting assembly



Safety and Care Advice

Important – Please read these instructions fully before starting assembly

- Check you have all the components and tools listed on the following pages.
- Remove all fittings from the plastic bags and separate them into their groups.
- Keep children and animals away from the work area, small parts could choke if swallowed.
- Make sure you have enough space to layout the parts before starting.

- During assembly do not stand or put weight on the product, this could cause damage.
- Assemble the item as close to its final position (in the same room) as possible.
- Assemble on a soft level surface to avoid damaging the unit or your floor.
- Parts of the assembly will be easier with 2 people.



power drill is set on a low torque setting.

- To reduce the likelihood of damaging your product please ensure that your

Care and maintenance

- Only clean using a damp cloth and mild detergent, do not use bleach or abrasive cleaners.
- From time to time check that there are no loose screws on this unit.
- This product should not be discarded with household waste. Take to your local authority waste disposal centre.

Handy Hints

- Assemble all parts and bolts loosely during assembly, only once the product is complete should you fully tighten the bolts
- Regularly check and ensure That all bolts and fittings are tightend properly.

WARNING
In order to help prevent overturning – please follow these instructions

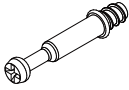




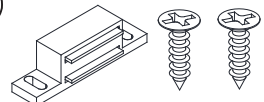
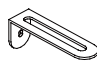
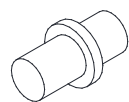



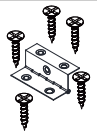
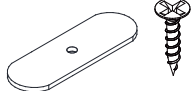


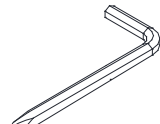
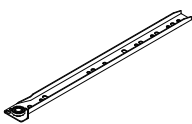
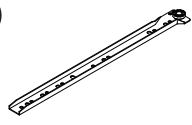
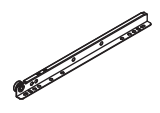
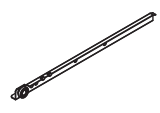
To help prevent product toppling over please follow the below steps:-

- Use the anti tip stap or wall fixing method provided (if applicable)
- Do not allow children to climb or hang on the furniture
- Do not open more than one drawer at a time
- Do not place heavy items in the top drawers
- Do not place heavy items on top of the furniture, unless the furniture has been designed for this purpose

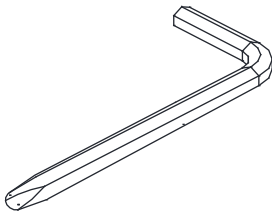
Components - Fittings

Please check you have all the panels listed below

Note: The quantities below are the correct amount to complete the assembly. In some cases, more fittings may be supplied than required.

<p>(A)</p>  <p>Cam Bolt x 119</p>	<p>(B)</p>  <p>Dowel x 52</p>	<p>(C)</p>  <p>Cam lock x 119</p>	<p>(D)</p>  <p>7*40mm Screw x 4</p>
<p>(E)</p>  <p>3*12mm Screw x 26</p>	<p>(F)</p>  <p>3*16mm Base knob 1SET</p>	<p>(G)</p>  <p>Anti tipping x 2SET</p>	<p>(H)</p>  <p>Shelf support pin x 9</p>
<p>(I)</p>  <p>4*18mm Round handle x 8SET</p>	<p>(J)</p>  <p>4*25mm Screw x 13</p>	<p>(K)</p>  <p>2.6*10mm Screw x 44</p>	<p>(L)</p>  <p>3*12mm Three fold hinge x 6SET</p>
<p>(M)</p>  <p>3*12mm Magnetic sheet x 2SET</p>	<p>(N)</p>  <p>Iron pipe spring x 9</p>	<p>(O)</p>  <p>4*35mm Screw x 2</p>	<p>(P)</p>  <p>Allen key x 1</p>
<p>(CL)</p>  <p>350mm runner x 3</p>	<p>(CR)</p>  <p>350mm runner x 3</p>	<p>(DR)</p>  <p>350mm runner x 3</p>	<p>(DL)</p>  <p>350mm runner x 3</p>

Tools required



Phillips screwdriver
(medium & large)

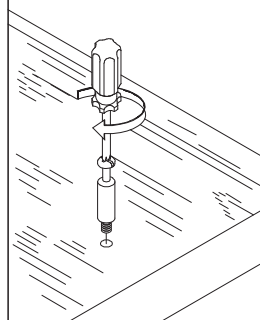
Using Camlocks

Step 1

Connect the male camlock as directed in the assembly instructions using a screwdriver.

1

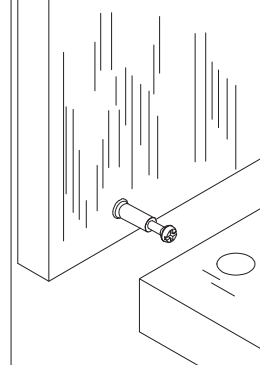
DO NOT OVER TIGHTEN.
NE PAS SERRER EXCESSIVEMENT.



Step 2

Push the male camlock into the entry hole.

2

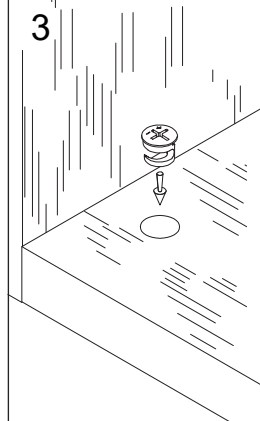


Step 3

Insert the female camlock as shown in the instruction.

Note: ensure that the arrow on the top of the camlock points towards the entry hole for the male camlock.

3



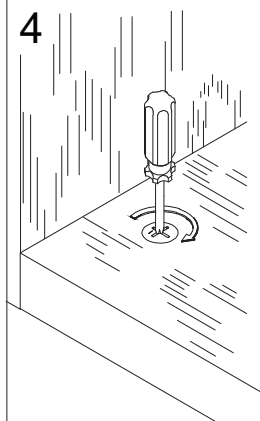
Step 4

Turn the female camlock clockwise with a screwdriver.

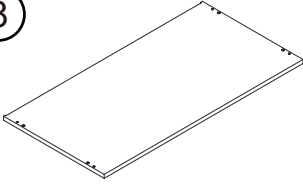


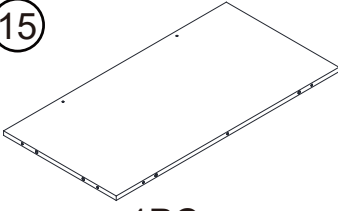






You should feel a click when the camlock is locked in place.

The joint is now secure.

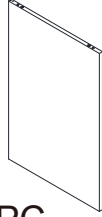

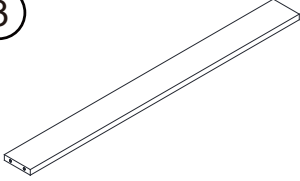
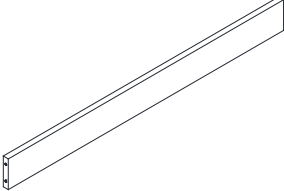
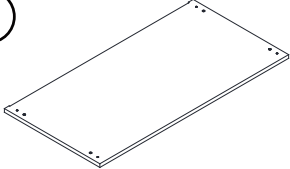
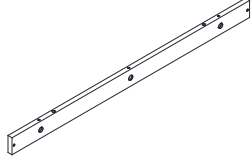
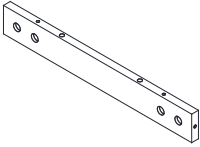
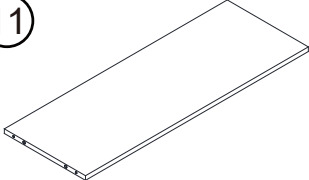
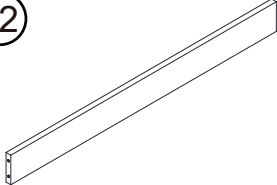
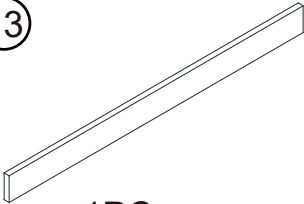
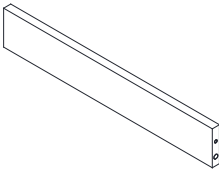
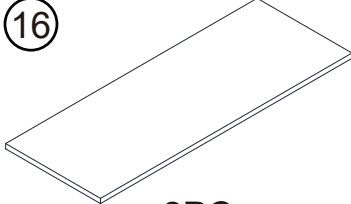
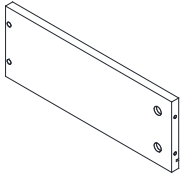
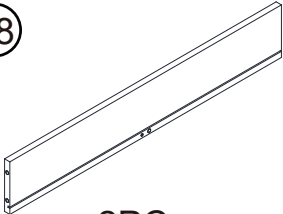
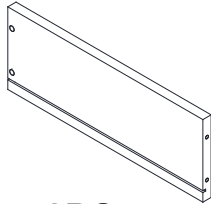
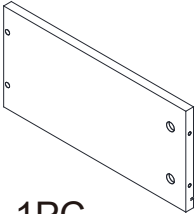
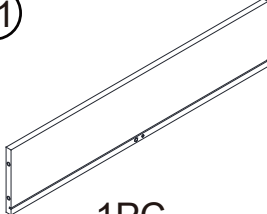
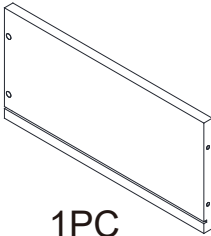
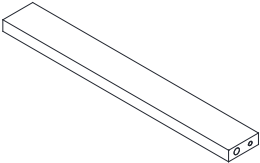
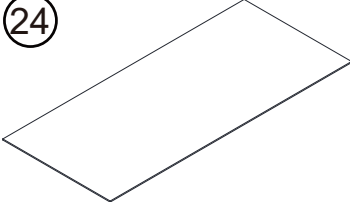
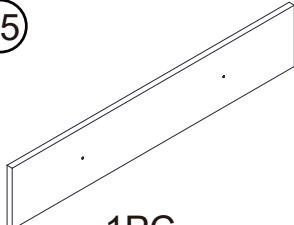
4

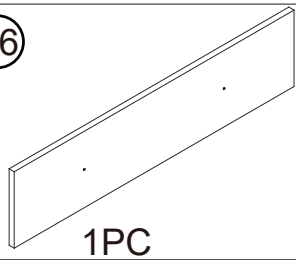
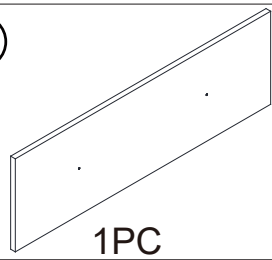
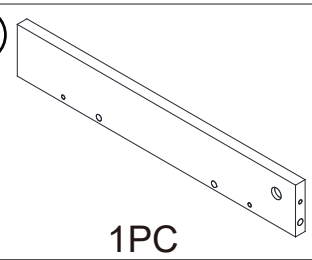


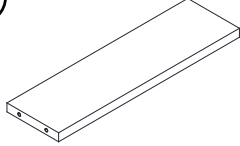
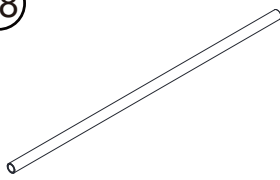



WF320796

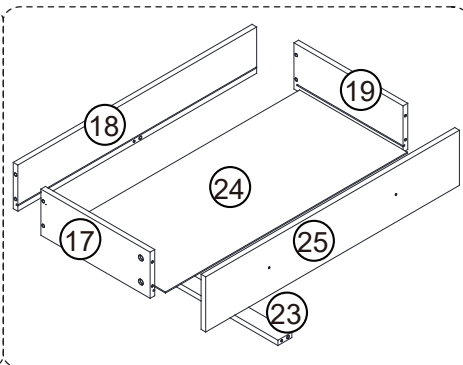
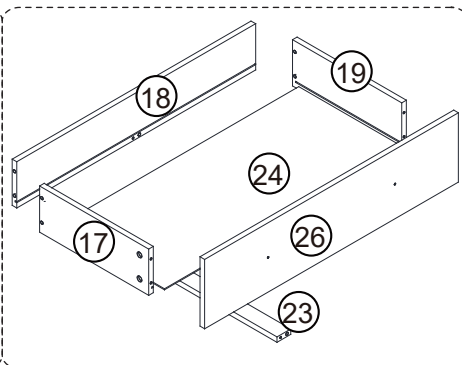
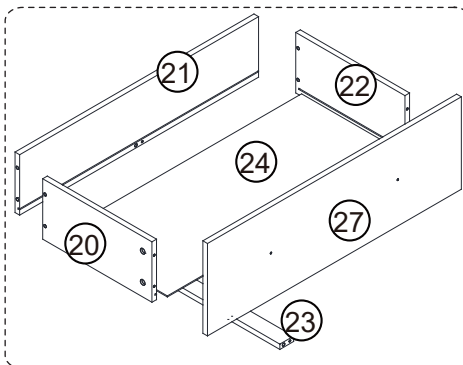
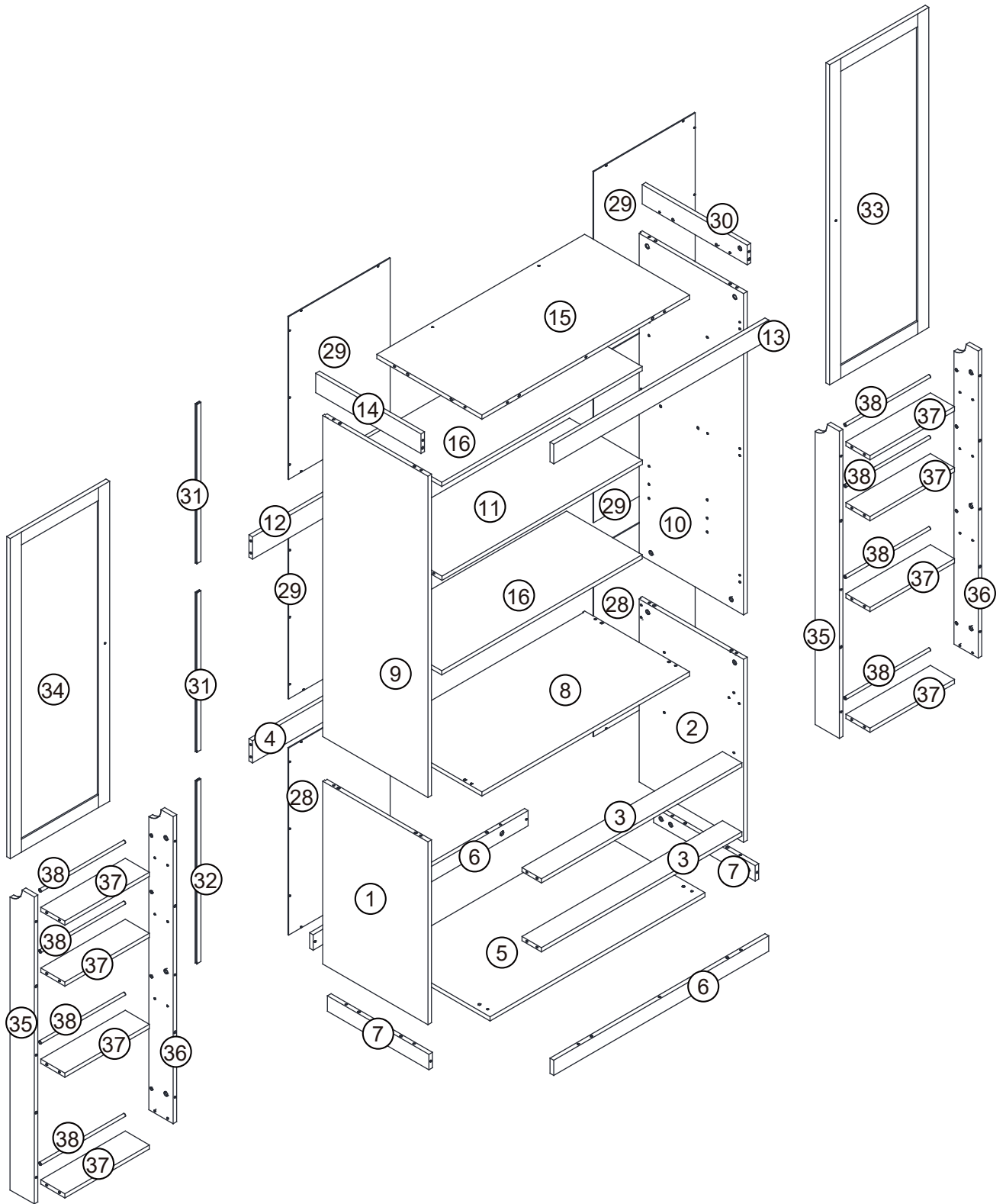
<p>⑧</p>  <p>1PC</p>	<p>⑨</p>  <p>1PC</p>	<p>⑩</p>  <p>1PC</p>
<p>⑮</p>  <p>1PC</p>	<p>⑳</p>  <p>2PC</p>	<p>㉑</p>  <p>4PC</p>
<p>㉓</p>  <p>1PC</p>	<p>㉔</p>  <p>1PC</p>	<p>㉕</p>  <p>2PC</p>
<p>㉖</p>  <p>2PC</p>		

WF320797

<p>①</p>  <p>1PC</p>	<p>②</p>  <p>1PC</p>	<p>③</p>  <p>2PC</p>
<p>④</p>  <p>1PC</p>	<p>⑤</p>  <p>1PC</p>	<p>⑥</p>  <p>2PC</p>
<p>⑦</p>  <p>2PC</p>	<p>⑪</p>  <p>1PC</p>	<p>⑫</p>  <p>1PC</p>
<p>⑬</p>  <p>1PC</p>	<p>⑭</p>  <p>1PC</p>	<p>⑯</p>  <p>2PC</p>
<p>⑰</p>  <p>2PC</p>	<p>⑱</p>  <p>2PC</p>	<p>⑲</p>  <p>2PC</p>
<p>⑳</p>  <p>1PC</p>	<p>㉑</p>  <p>1PC</p>	<p>㉒</p>  <p>1PC</p>
<p>㉓</p>  <p>3PC</p>	<p>㉔</p>  <p>3PC</p>	<p>㉕</p>  <p>1PC</p>

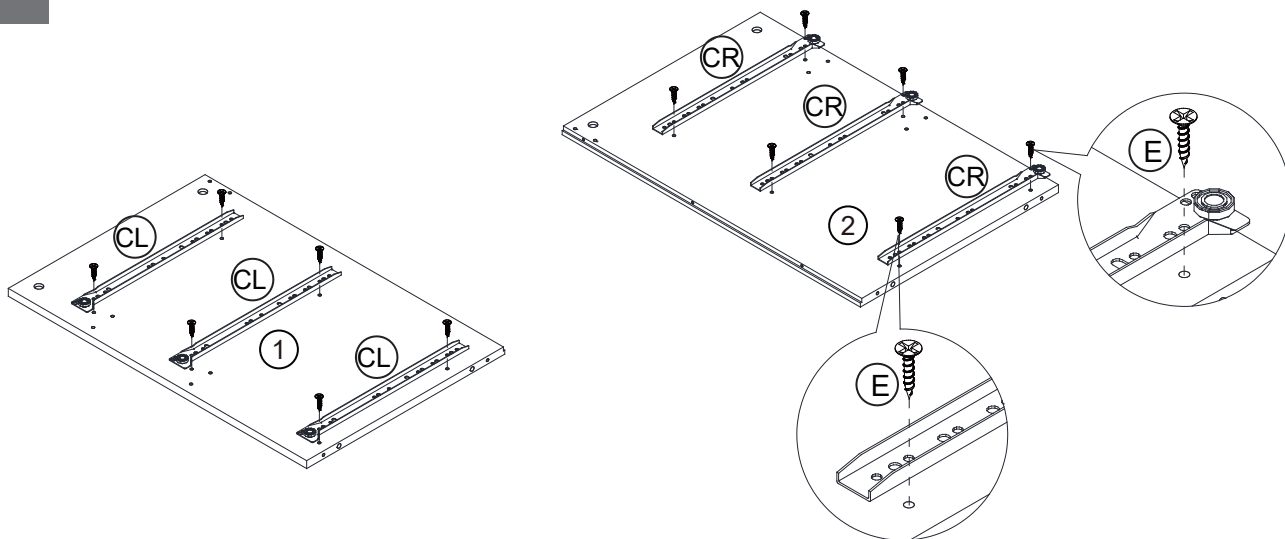
<p>②⑥</p>  <p>1PC</p>	<p>②⑦</p>  <p>1PC</p>	<p>③⑩</p>  <p>1PC</p>
<p>③①</p>  <p>2PC</p>	<p>③②</p>  <p>1PC</p>	<p>③⑦</p>  <p>8PC</p>
<p>③⑧</p>  <p>8PC</p>	 <p>Hardware Kit</p> <p>1PC</p>	

Assembly Instructions

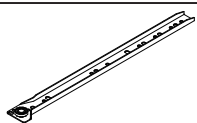


Assembly Instructions

Step 1

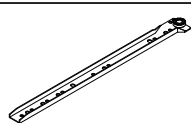


CL



350mm runner x3

CR



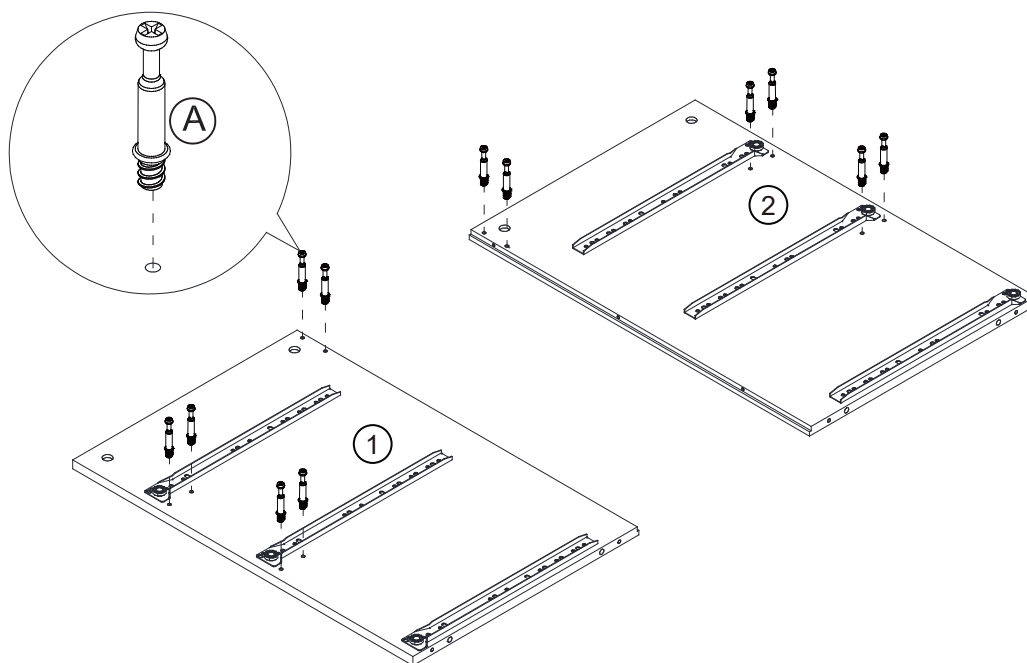
350mm runner x 3

E

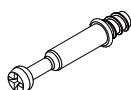


3*12mm Screw x 12

Step 2



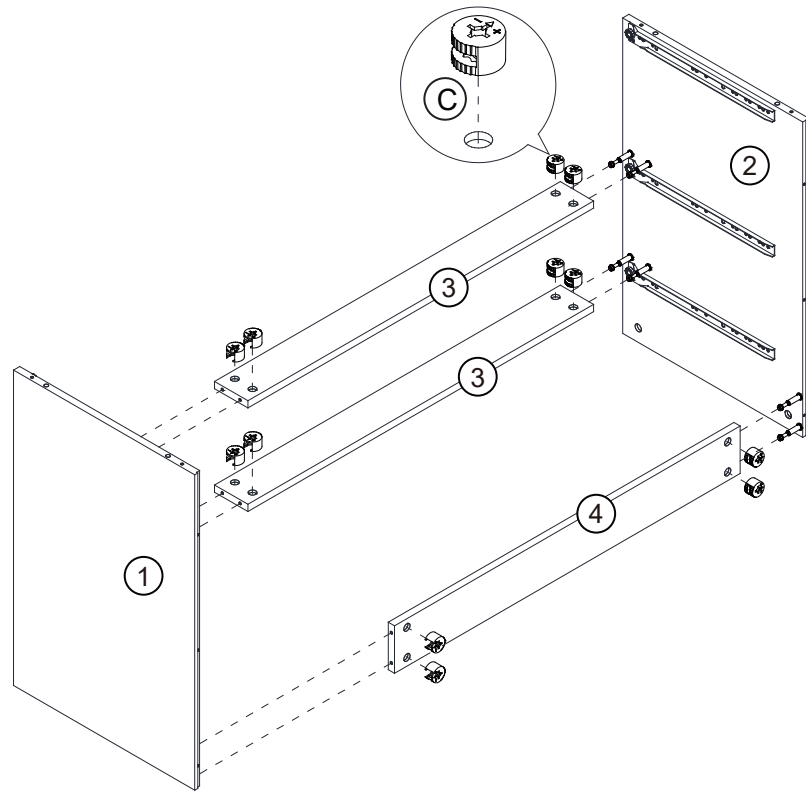
A



Cam Bolt x12

Assembly Instructions

Step 3

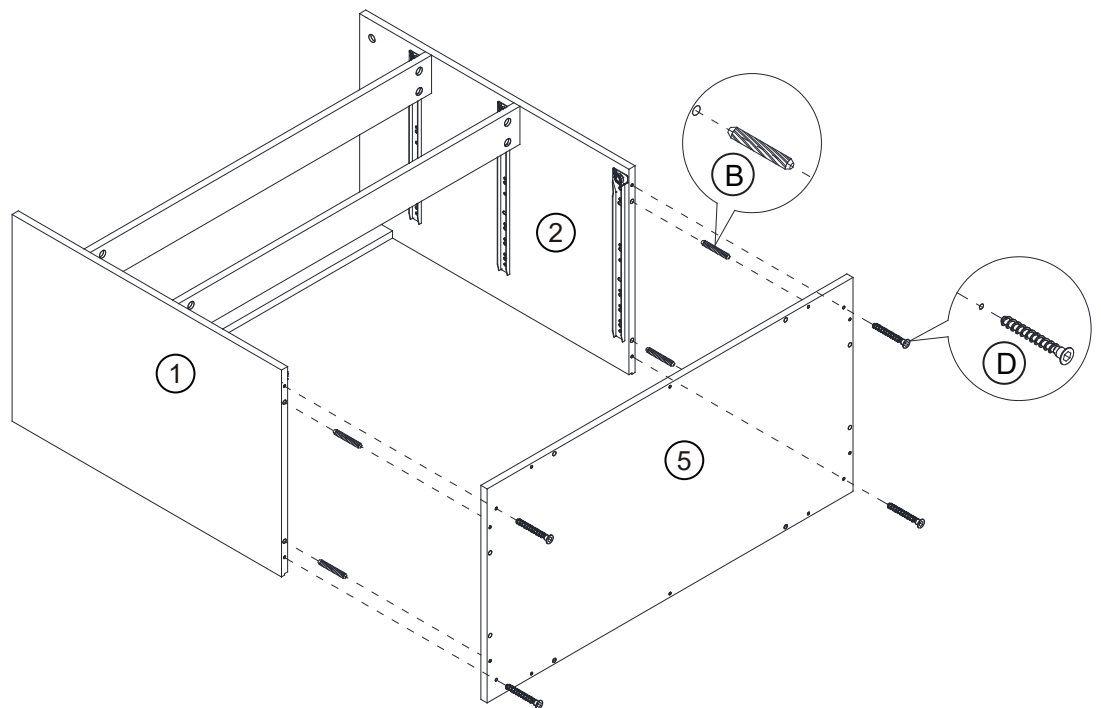


C



Cam lock x 12

Step 4



B



Dowel x 4

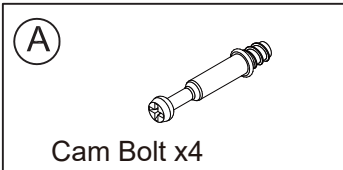
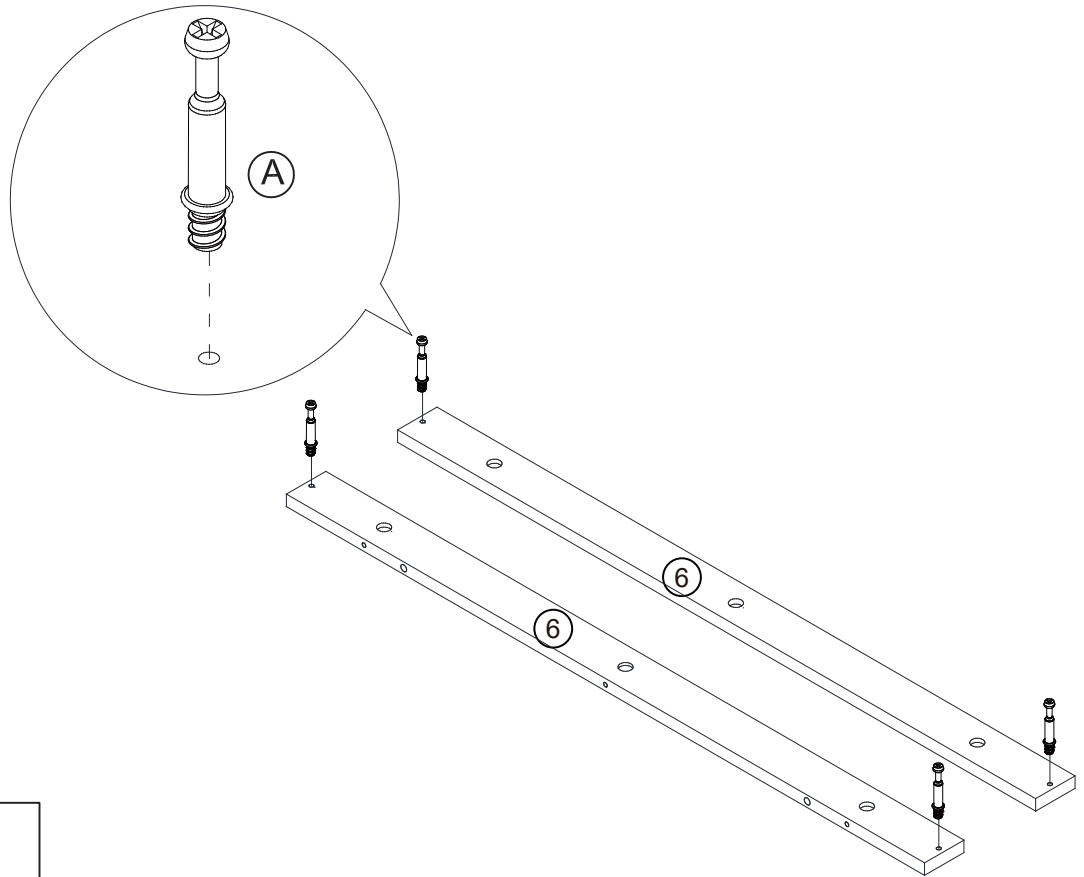
D



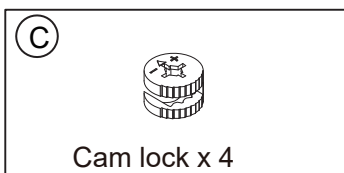
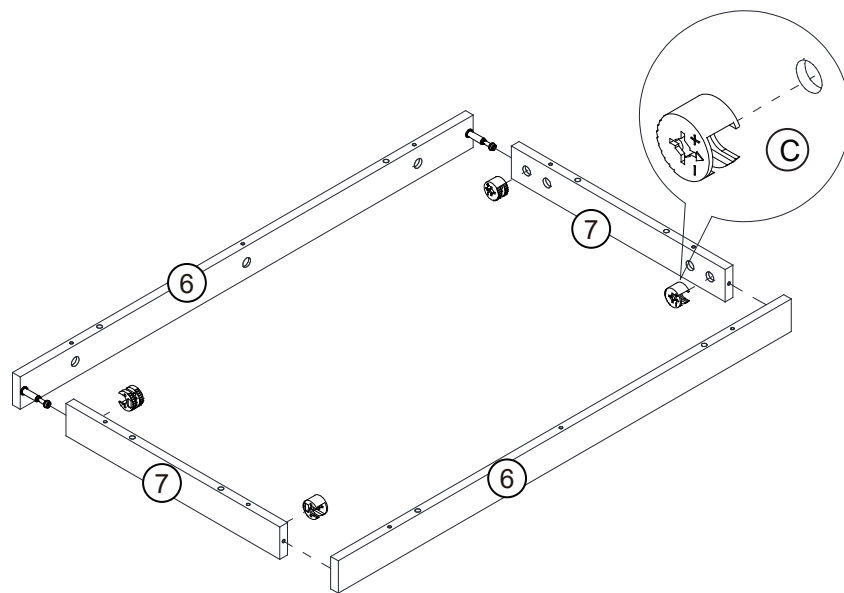
7*40mm Screw x 4

Assembly Instructions

Step 5

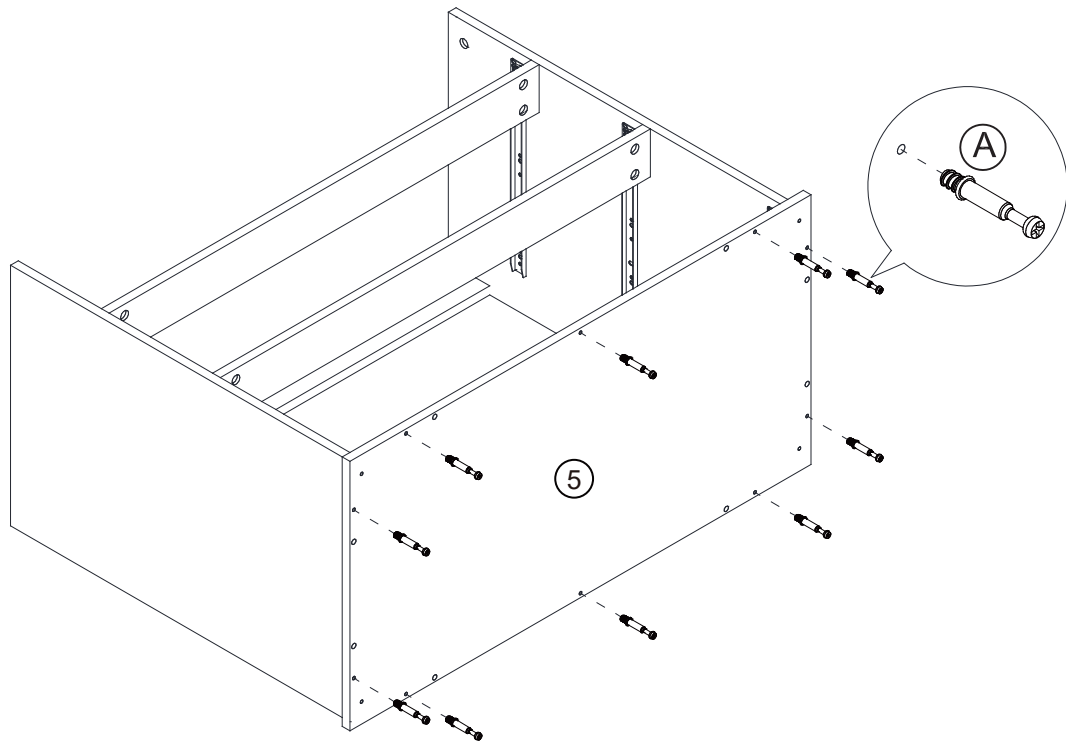


Step 6

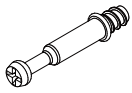


Assembly Instructions

Step 7

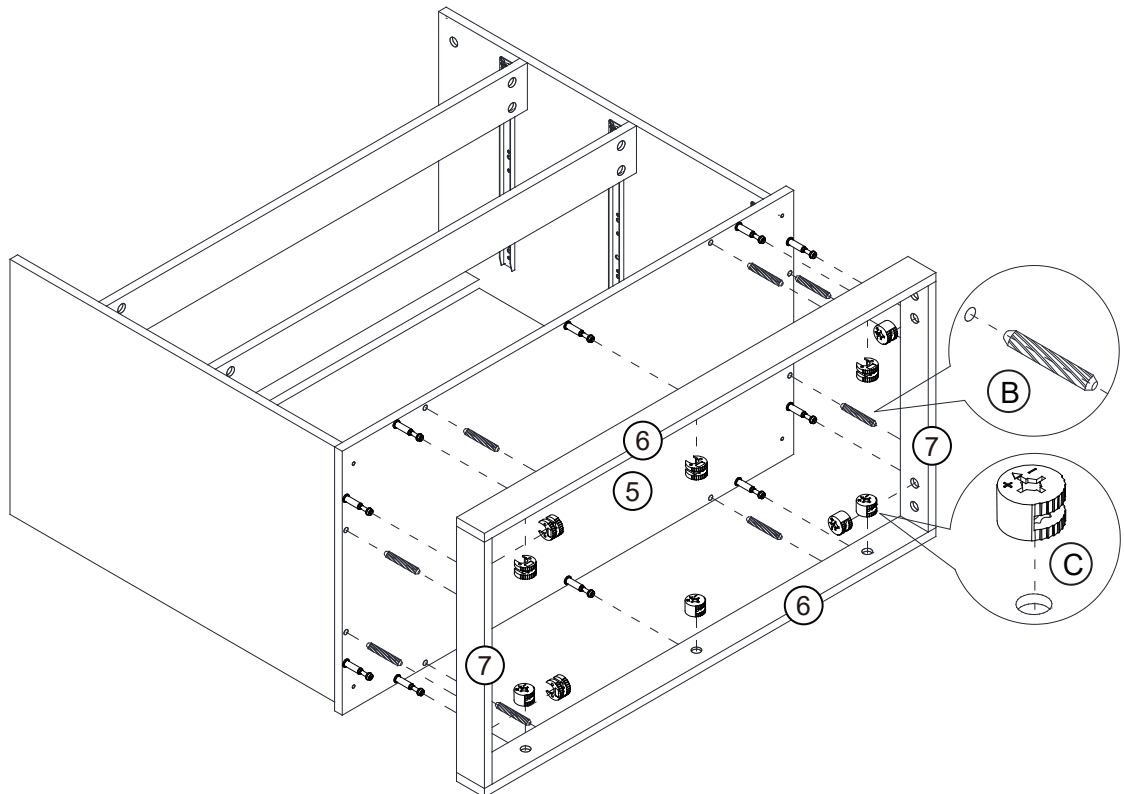


(A)



Cam Bolt x10

Step 8



(B)



Dowel x 8

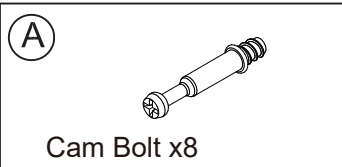
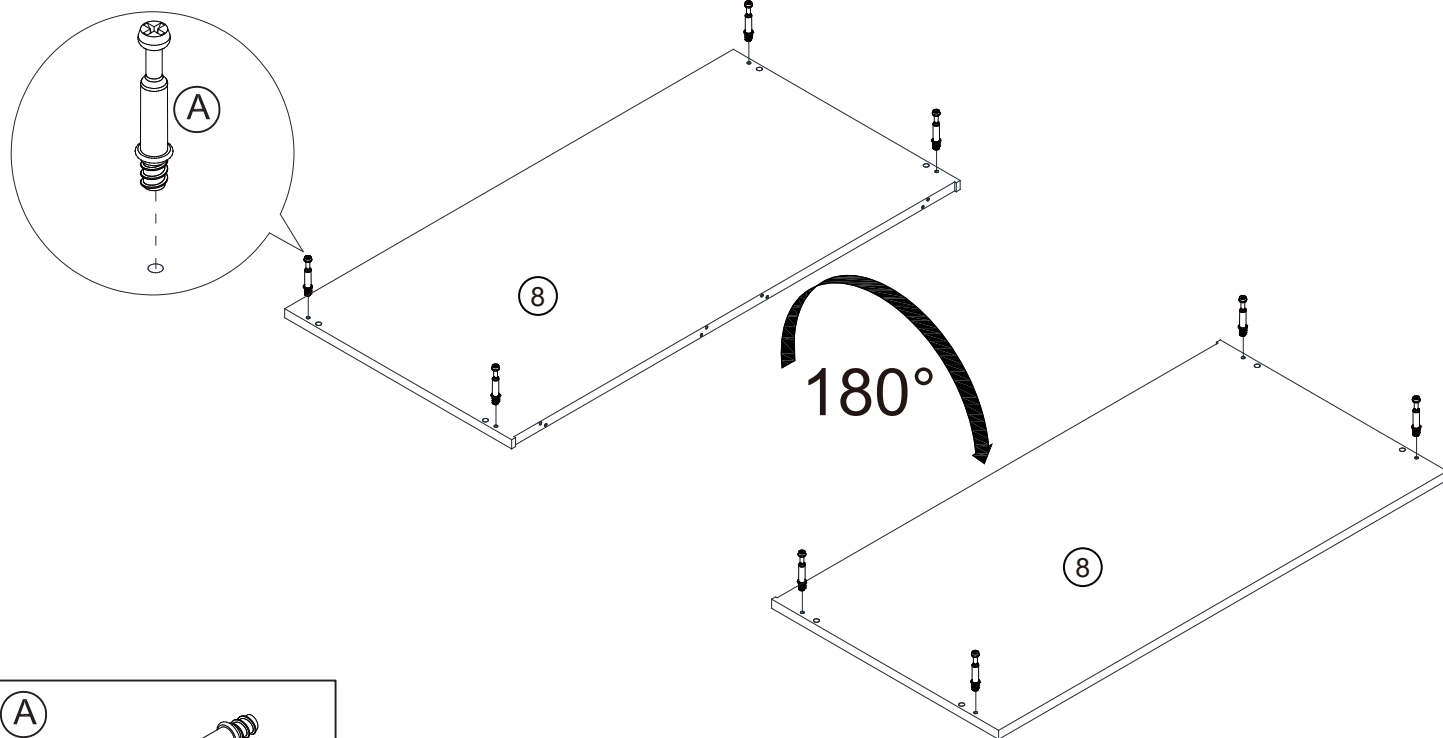
(C)



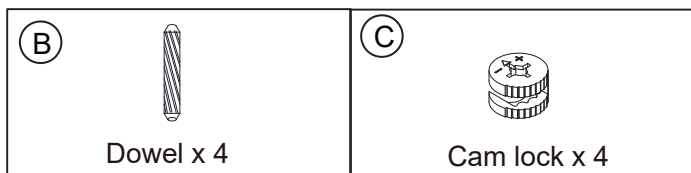
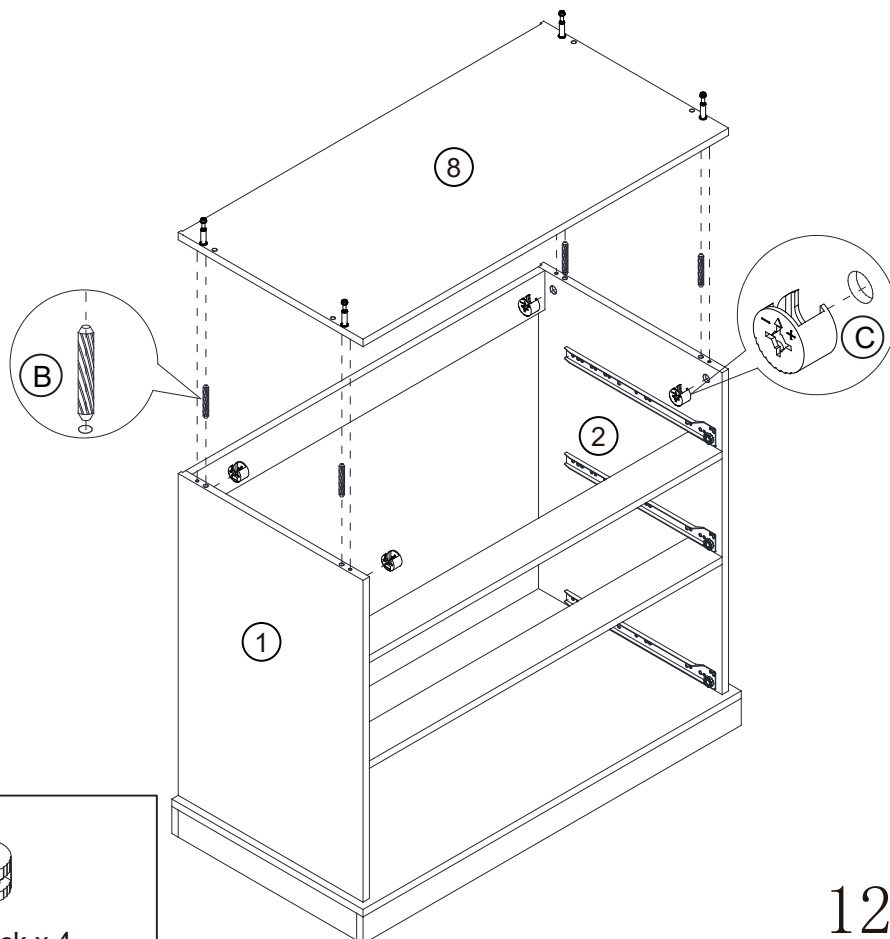
Cam lock x 10

Assembly Instructions

Step 9

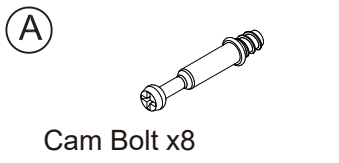
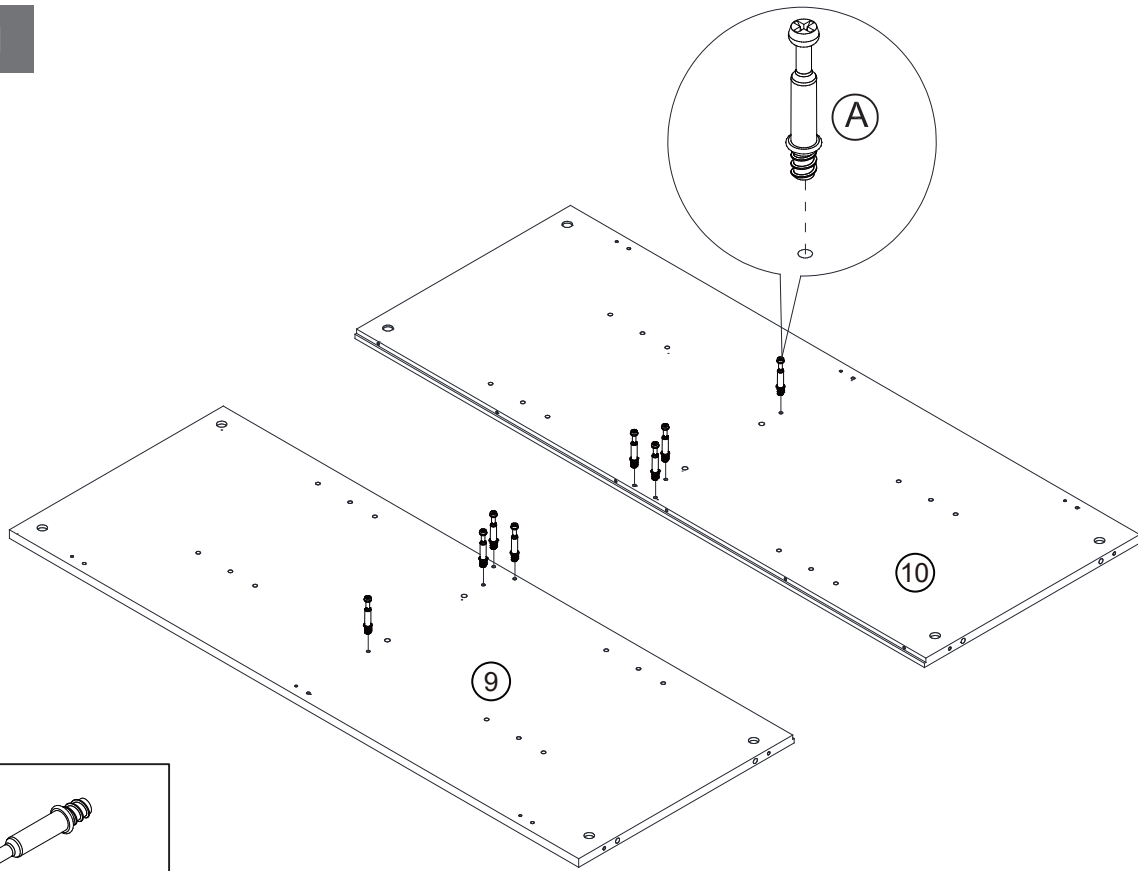


Step 10



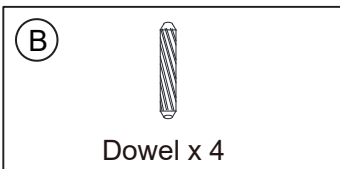
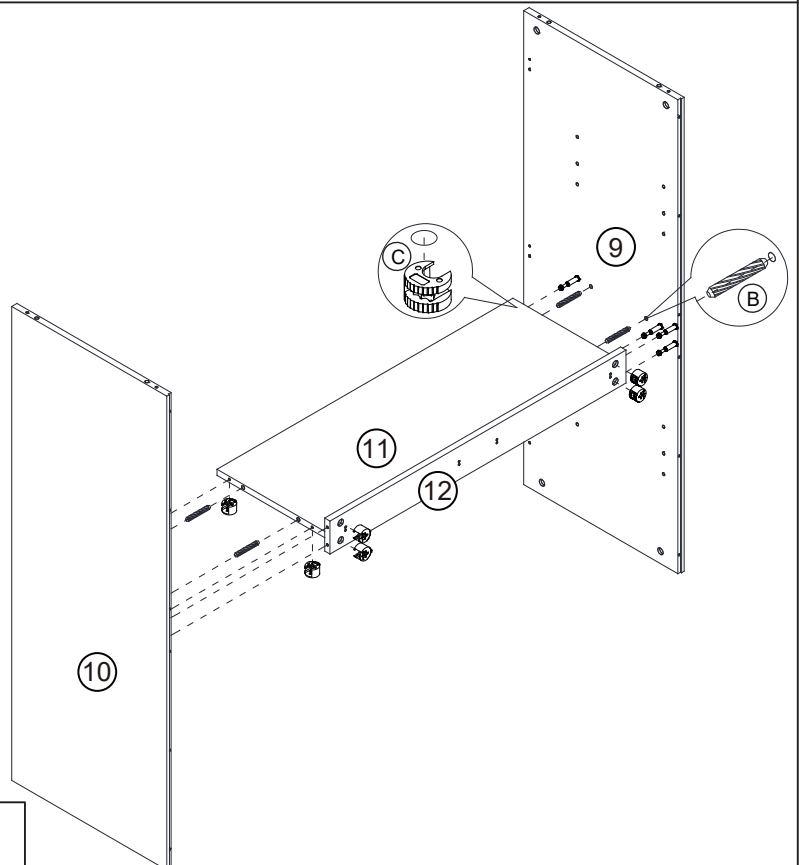
Assembly Instructions

Step 11

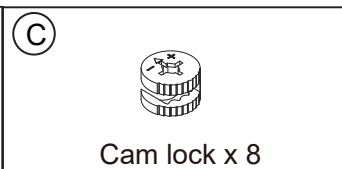


Cam Bolt x8

Step 12



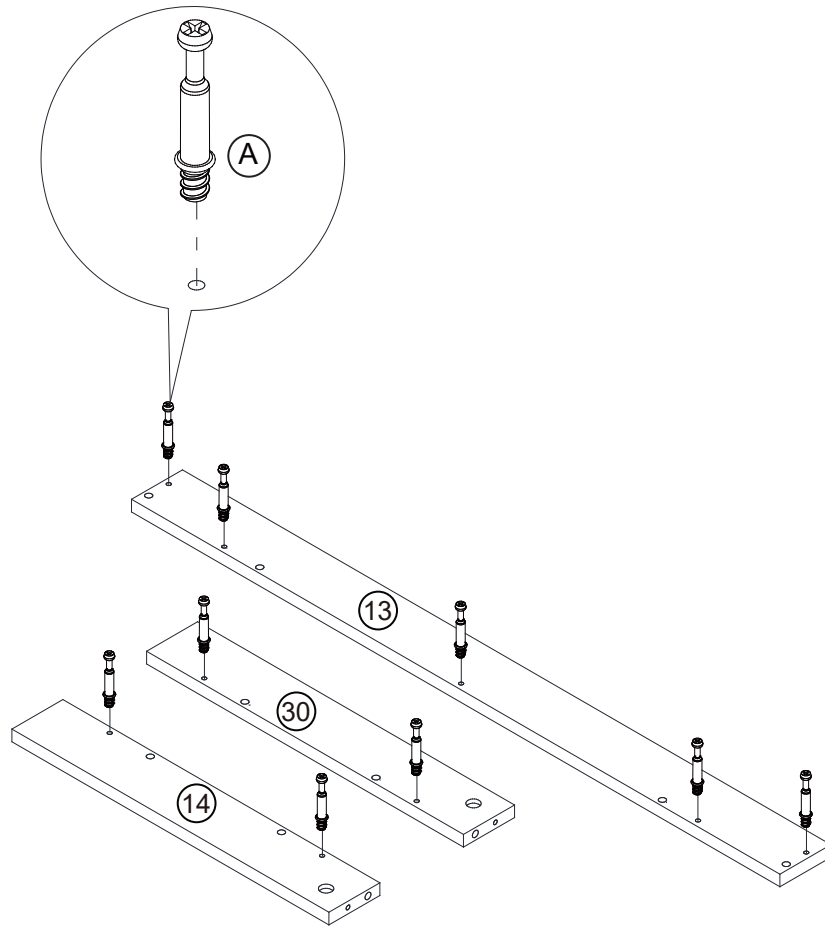
Dowel x 4



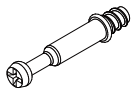
Cam lock x 8

Assembly Instructions

Step 13

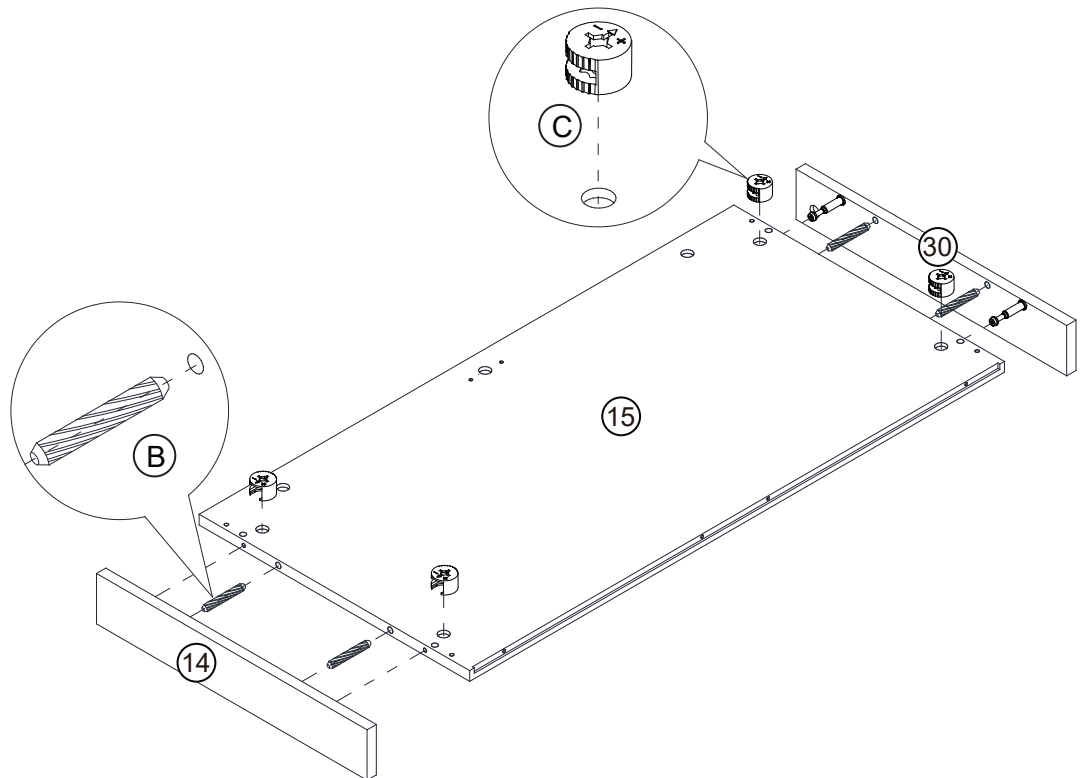


(A)



Cam Bolt x 9

Step 14



(B)



Dowel x 4

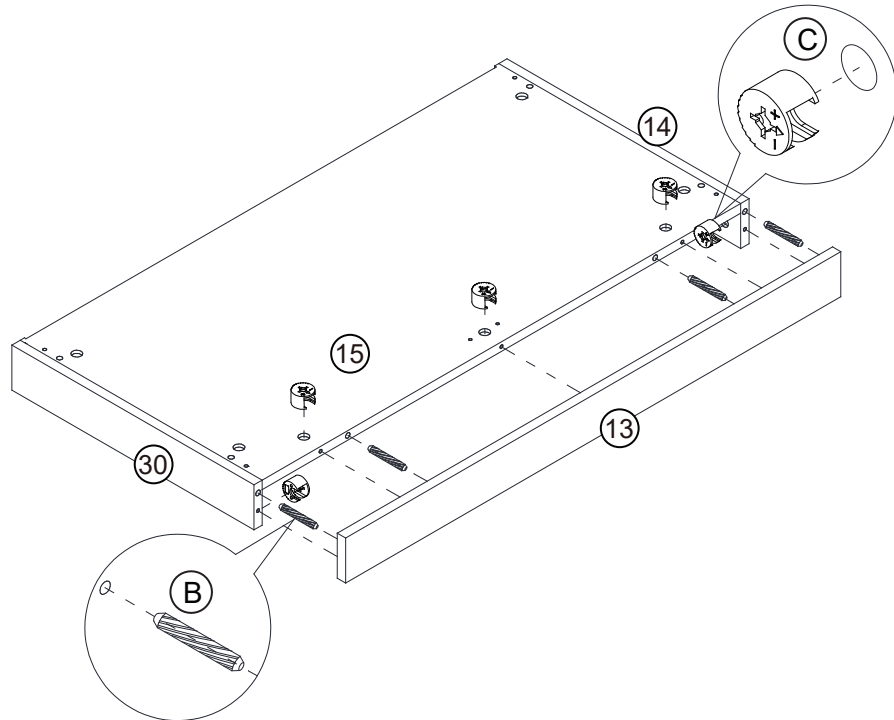
(C)



Cam lock x 4

Assembly Instructions

Step 15



(B)



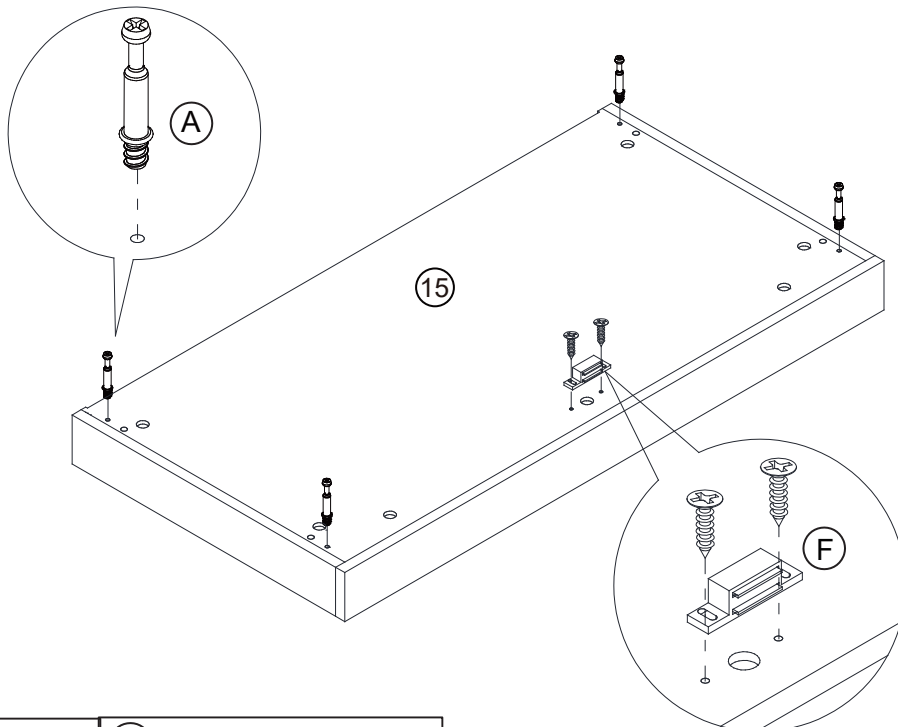
Dowel x 4

(C)

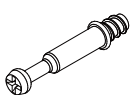


Cam lock x 5

Step 16

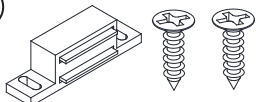


(A)



Cam Bolt x 4

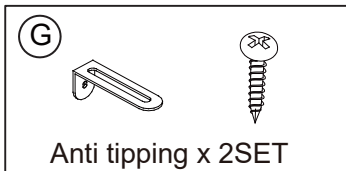
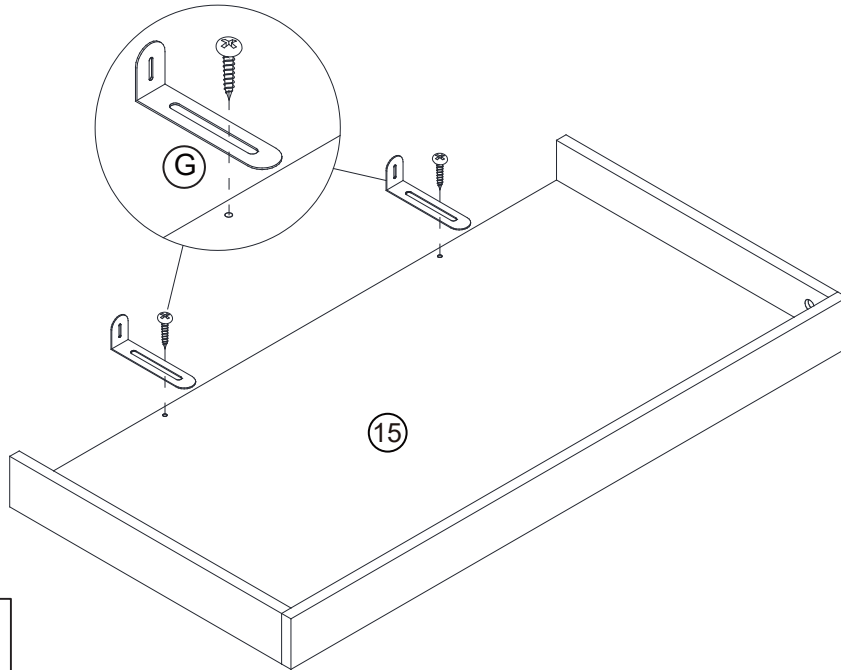
(F)



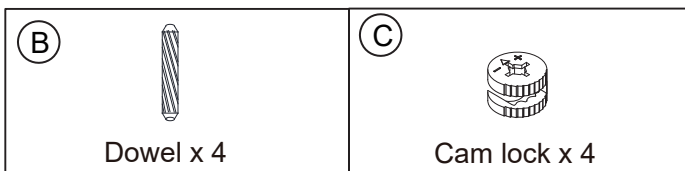
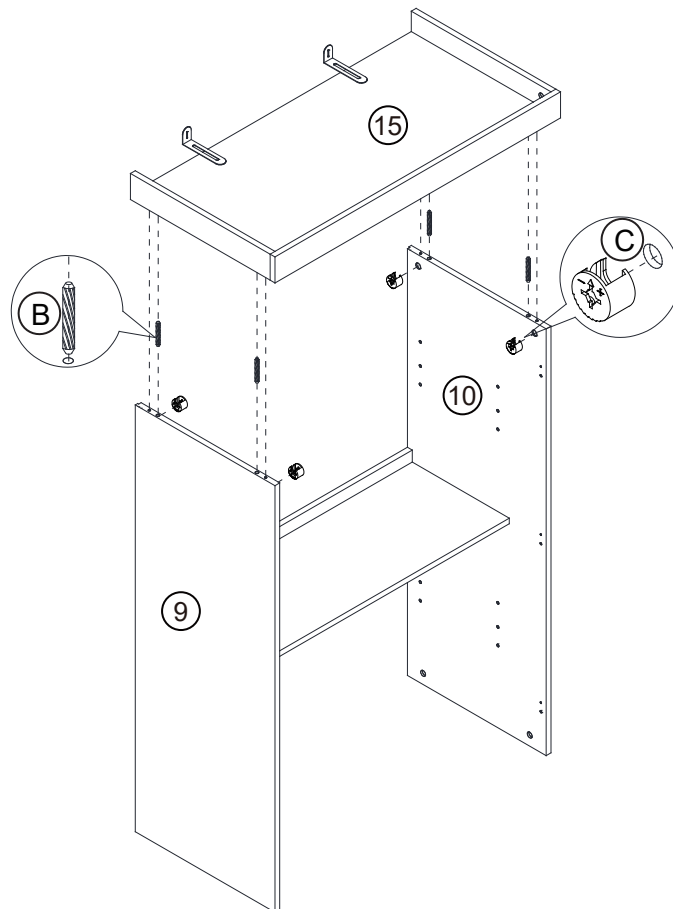
3*16mm Base knob 1SET

Assembly Instructions

Step 17

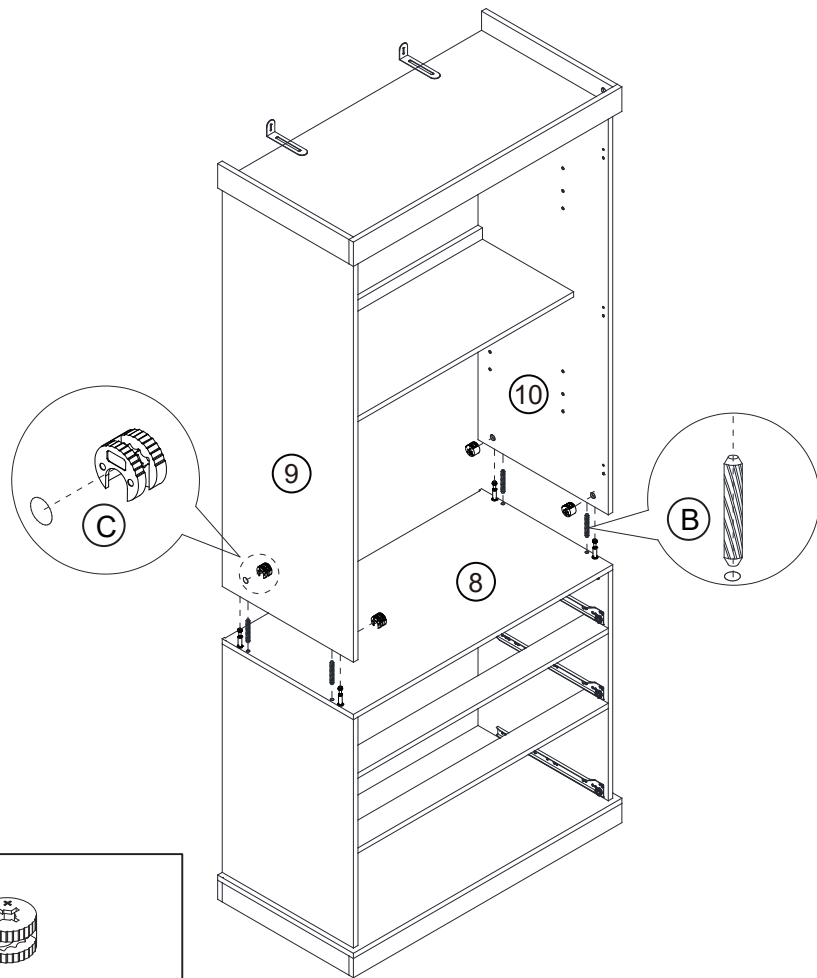


Step 18



Assembly Instructions

Step 19



(B)



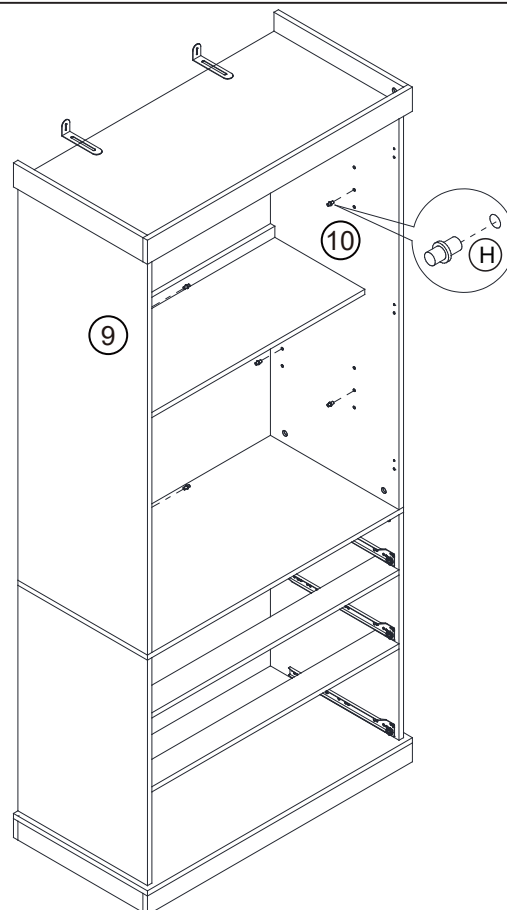
Dowel x 4

(C)

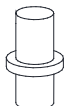


Cam lock x 4

Step 20



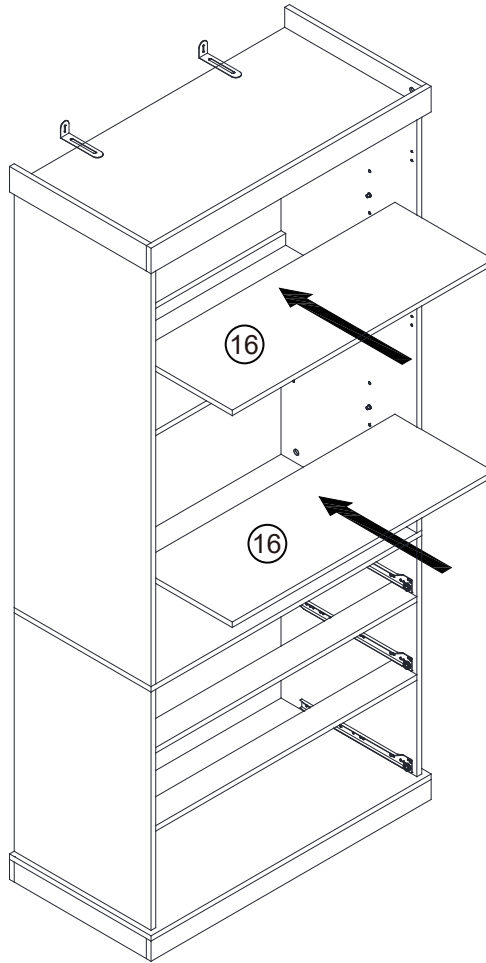
(H)



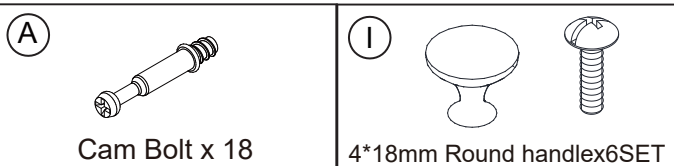
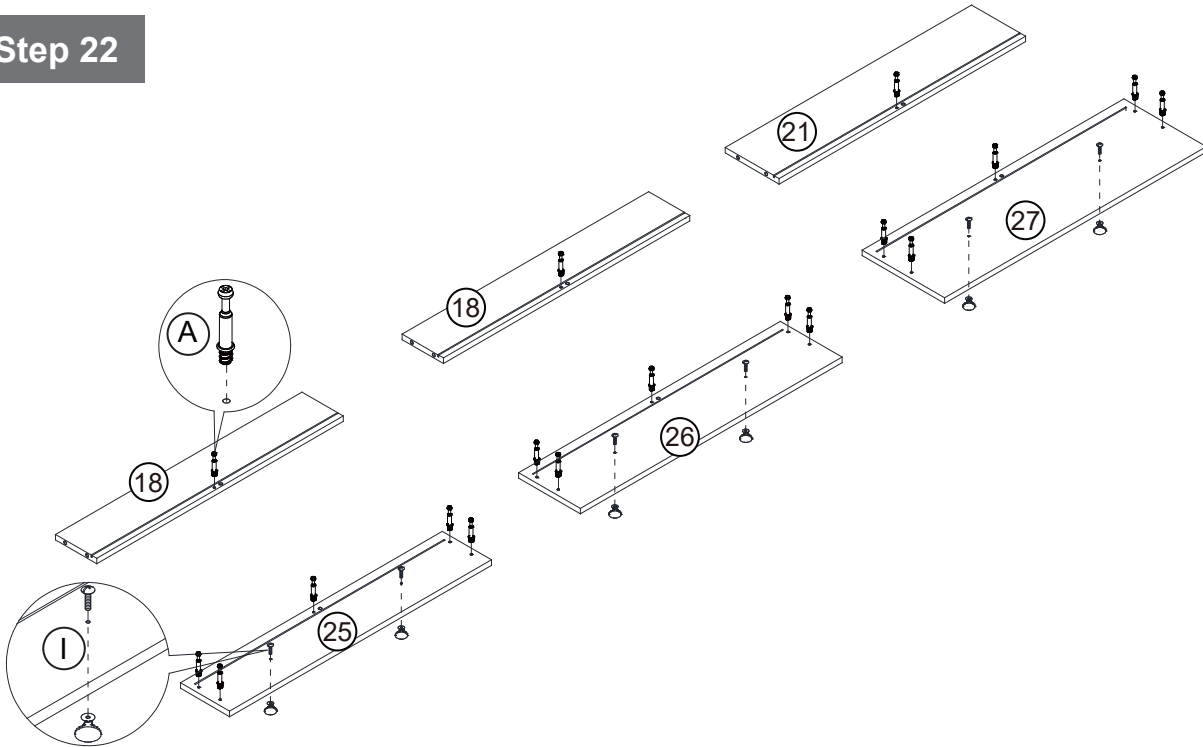
Shelf support pin x 8

Assembly Instructions

Step 21

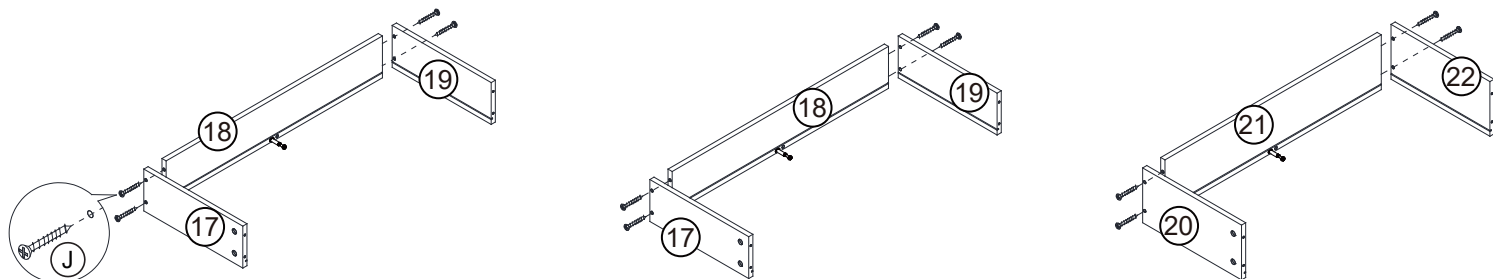


Step 22



Assembly Instructions

Step 23

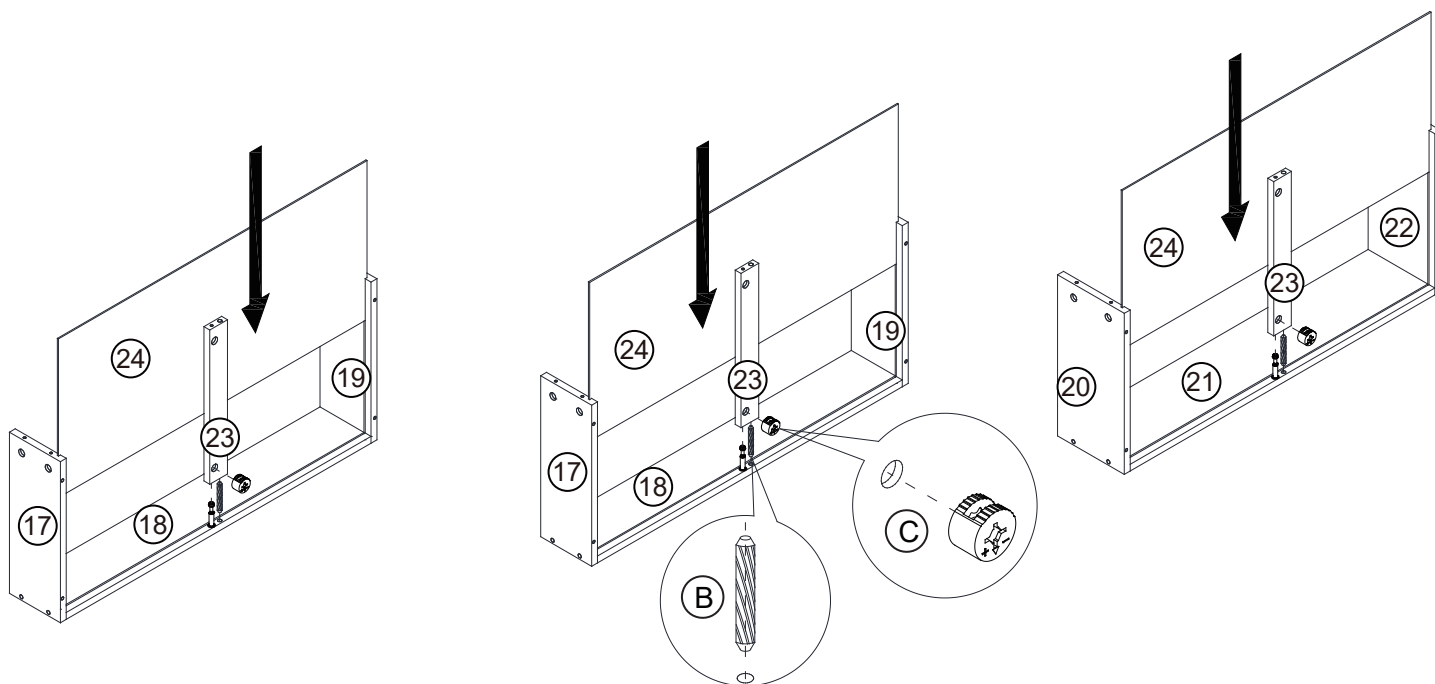


J



4*25mm Screw x 12

Step 24



B



Dowel x 3

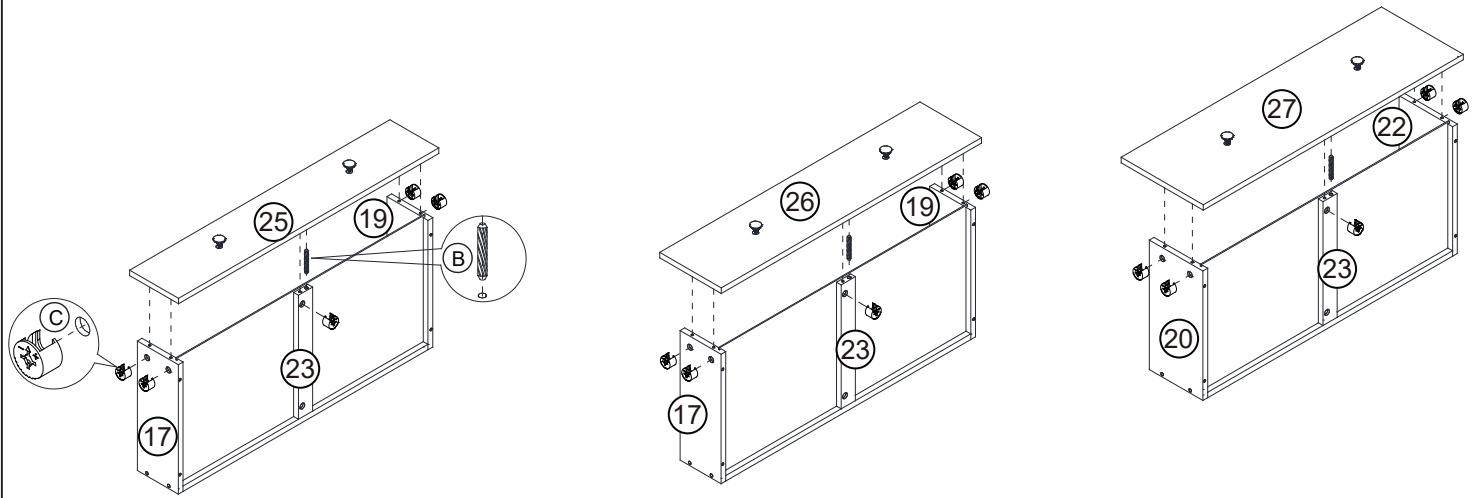
C



Cam lock x 3

Assembly Instructions

Step 25



B



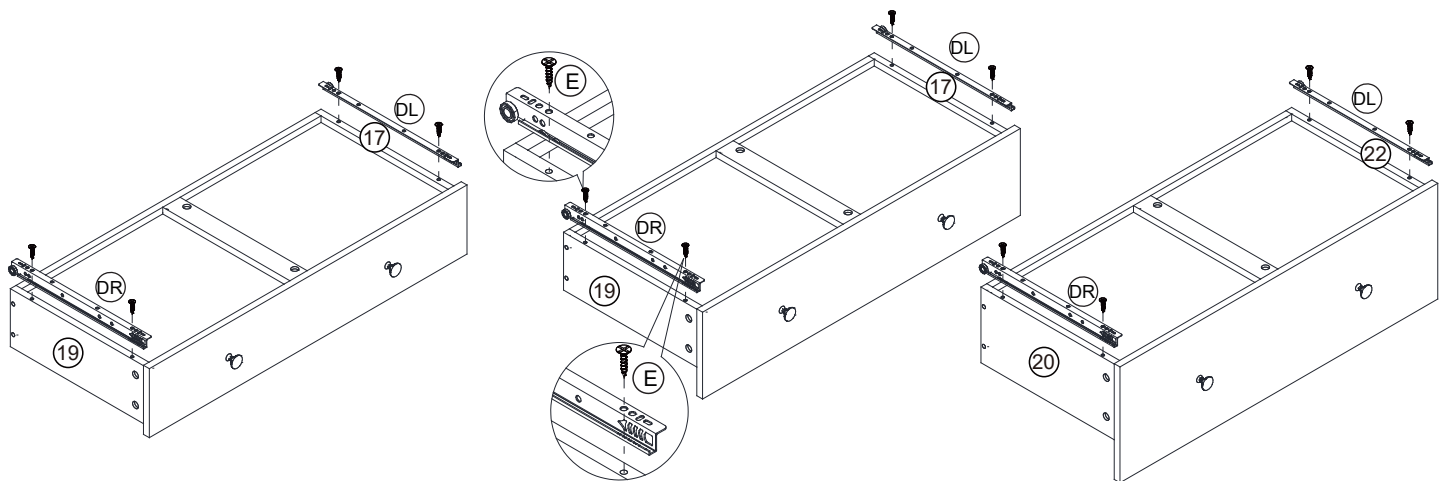
Dowel x 3

C



Cam lock x 15

Step 26

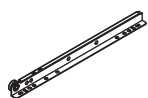


DL



350mm runner x 3

DR



350mm runner x 3

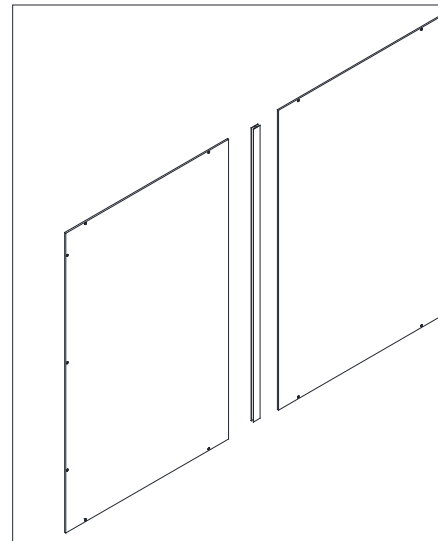
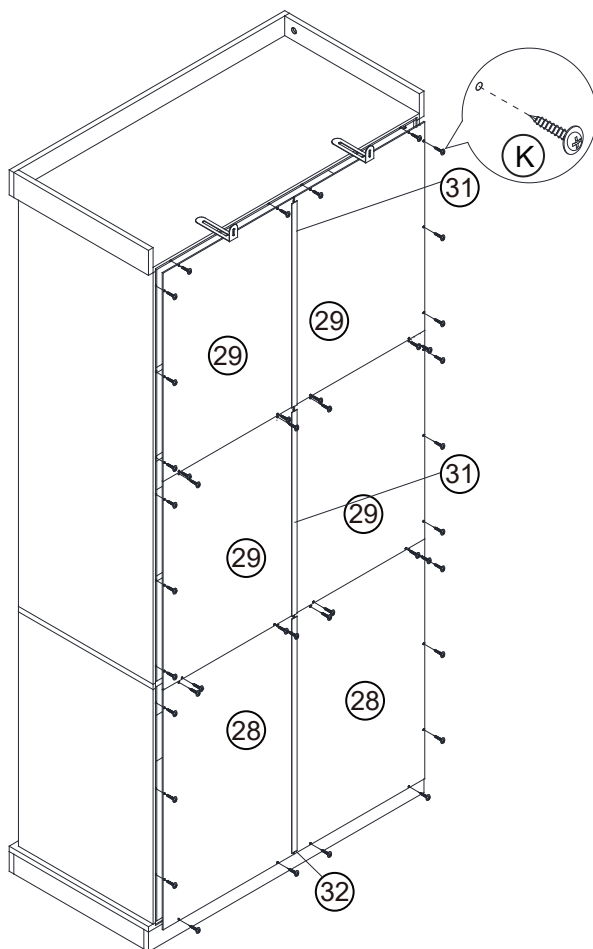
E



3*12mm Screw x 12

Assembly Instructions

Step 27

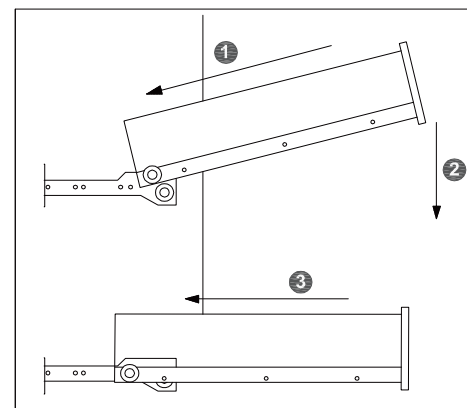
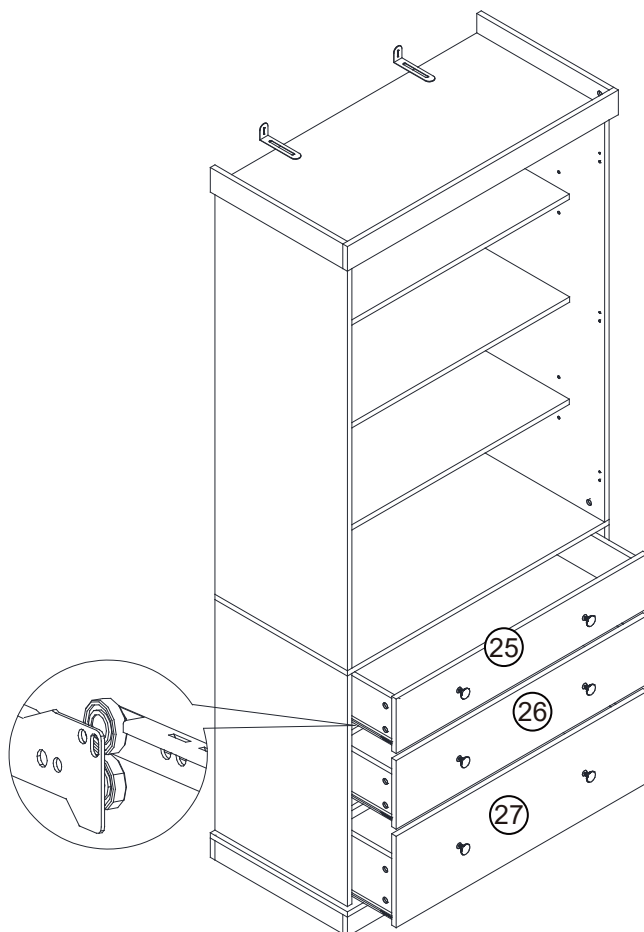


(K)



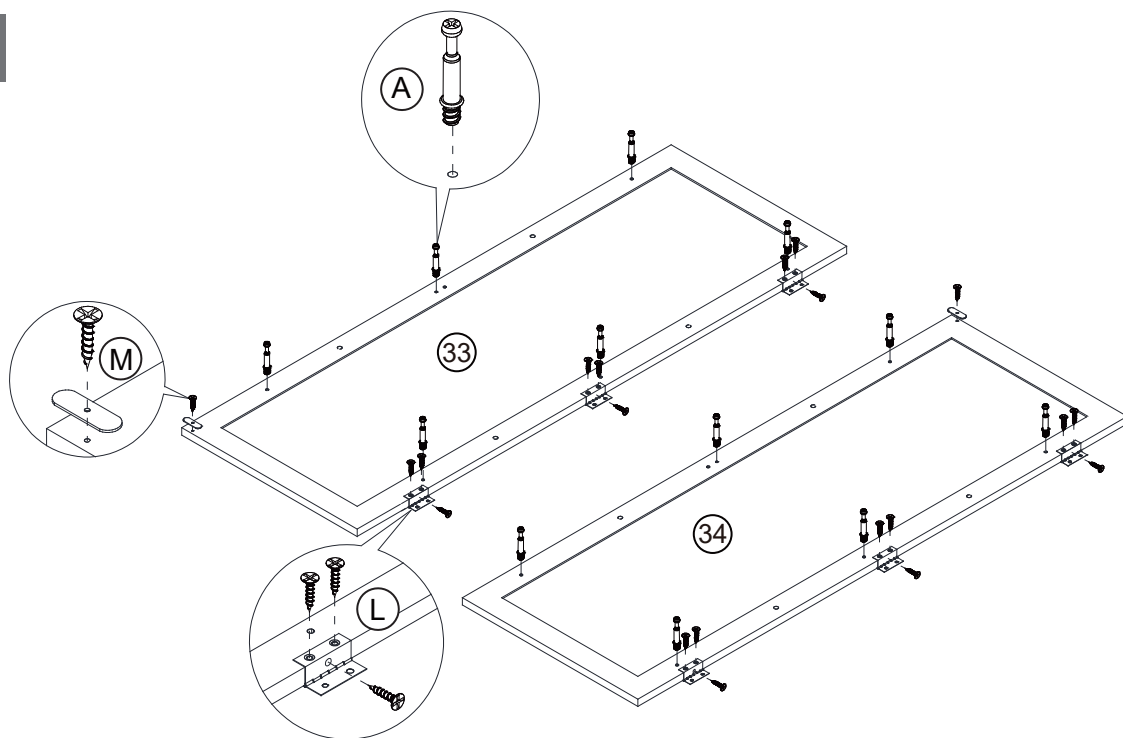
2.6*10mm Screw x 42

Step 28

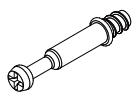


Assembly Instructions

Step 29

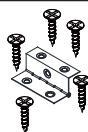


(A)



Cam Bolt x 12

(L)



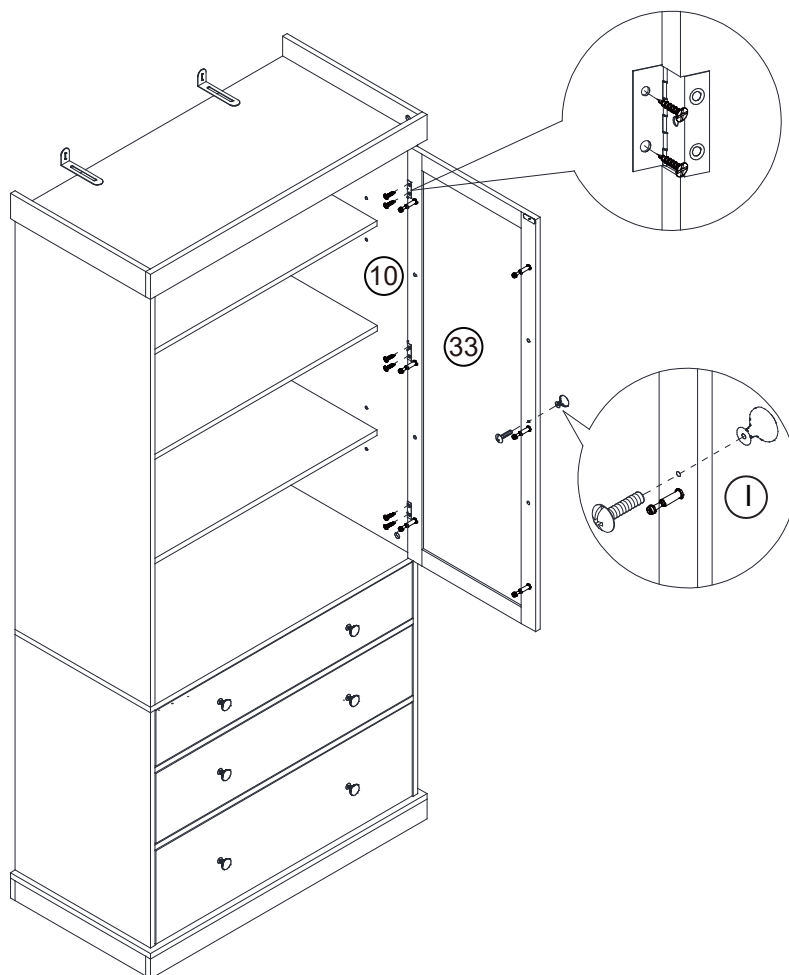
3*12mm Three fold hinge x 6SET

(M)



3*12mm Magnetic sheet x 2SET

Step 30



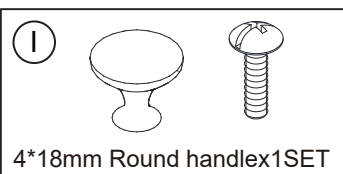
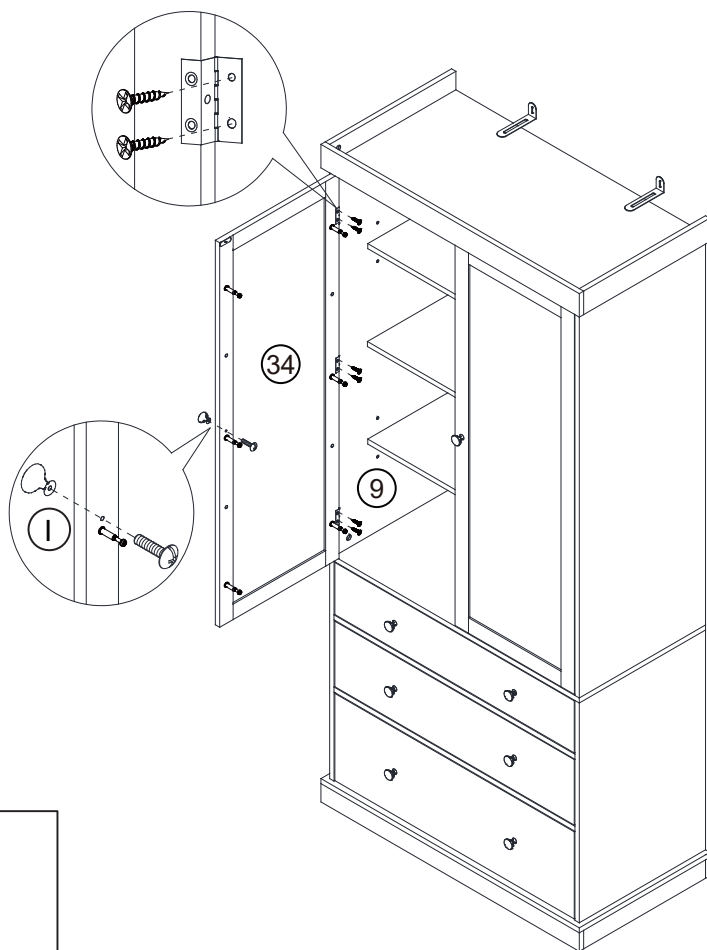
(I)



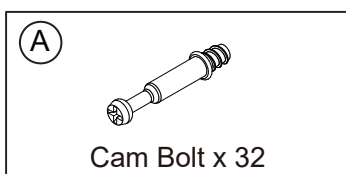
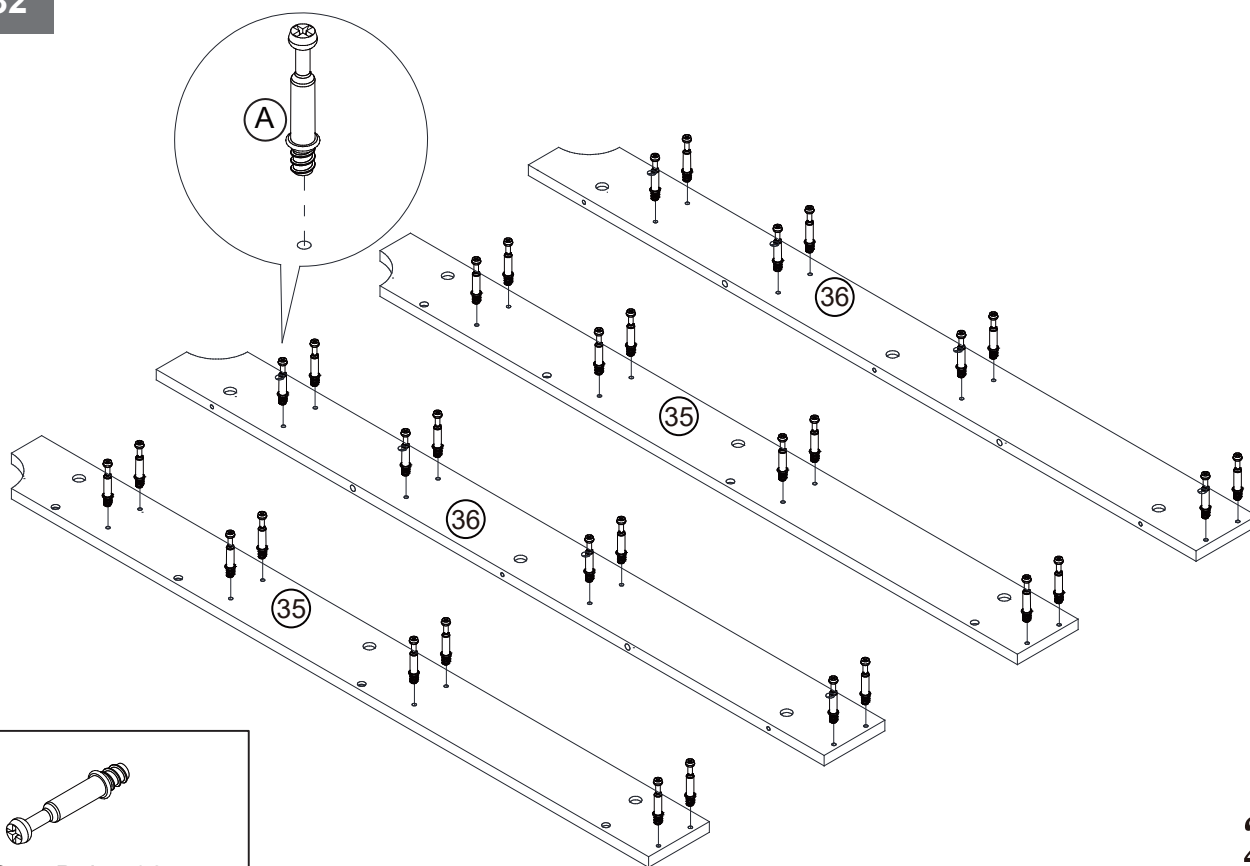
4*18mm Round handle x 1SET

Assembly Instructions

Step 31

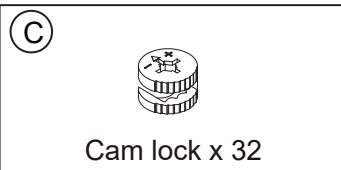
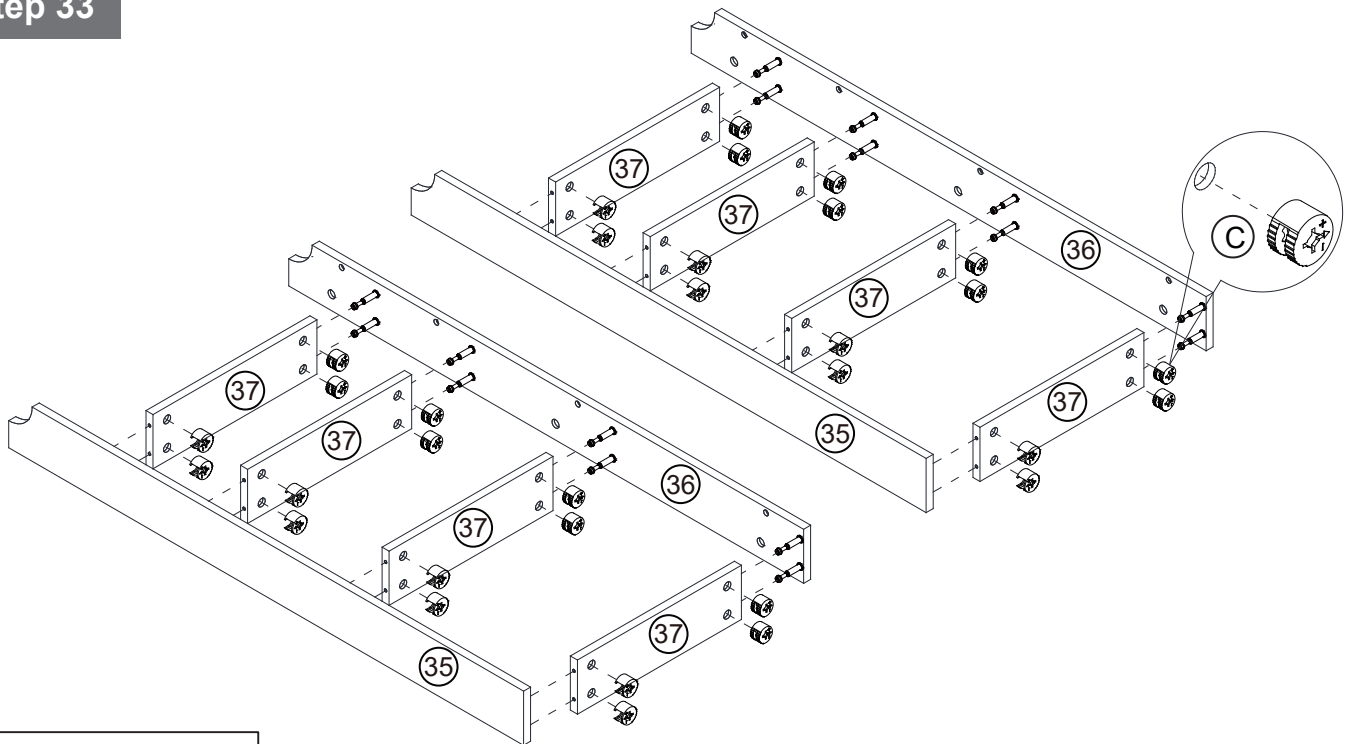


Step 32

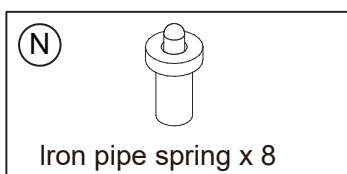
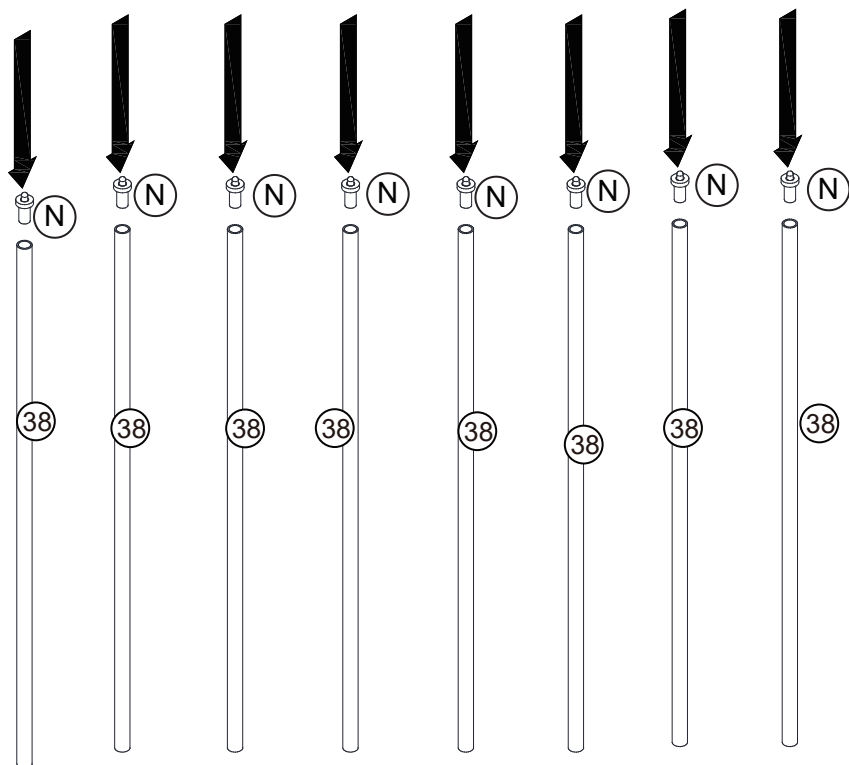
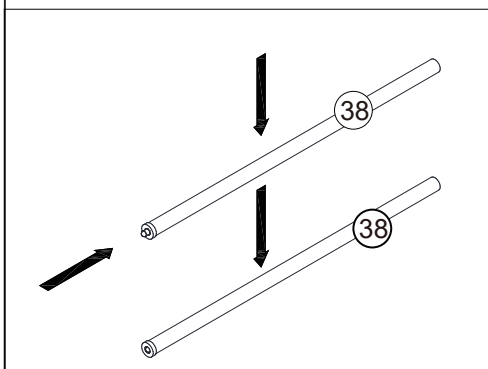


Assembly Instructions

Step 33

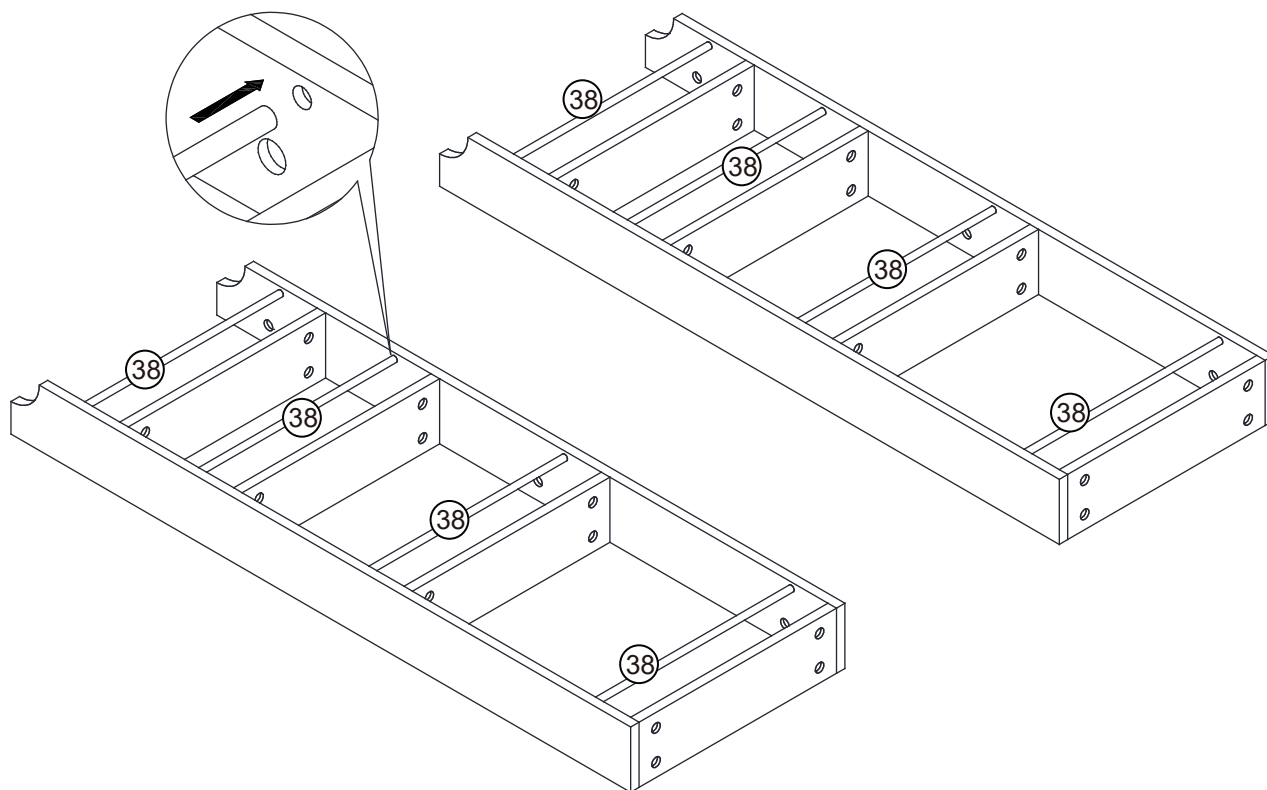


Step 34

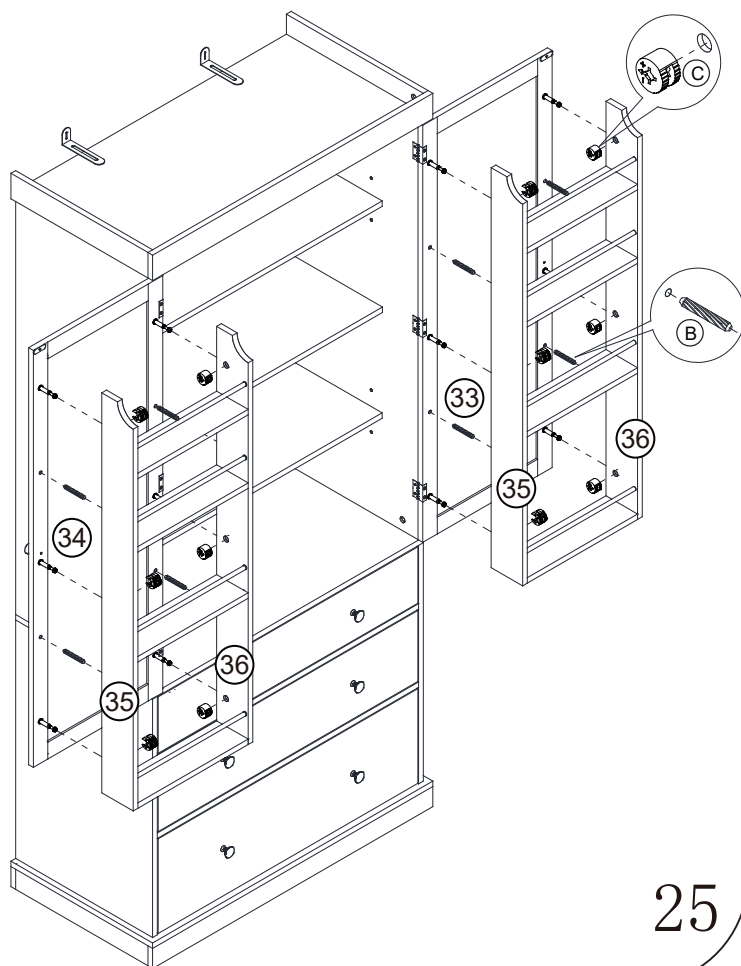


Assembly Instructions

Step 35



Step 36



(B)



Dowel x 8

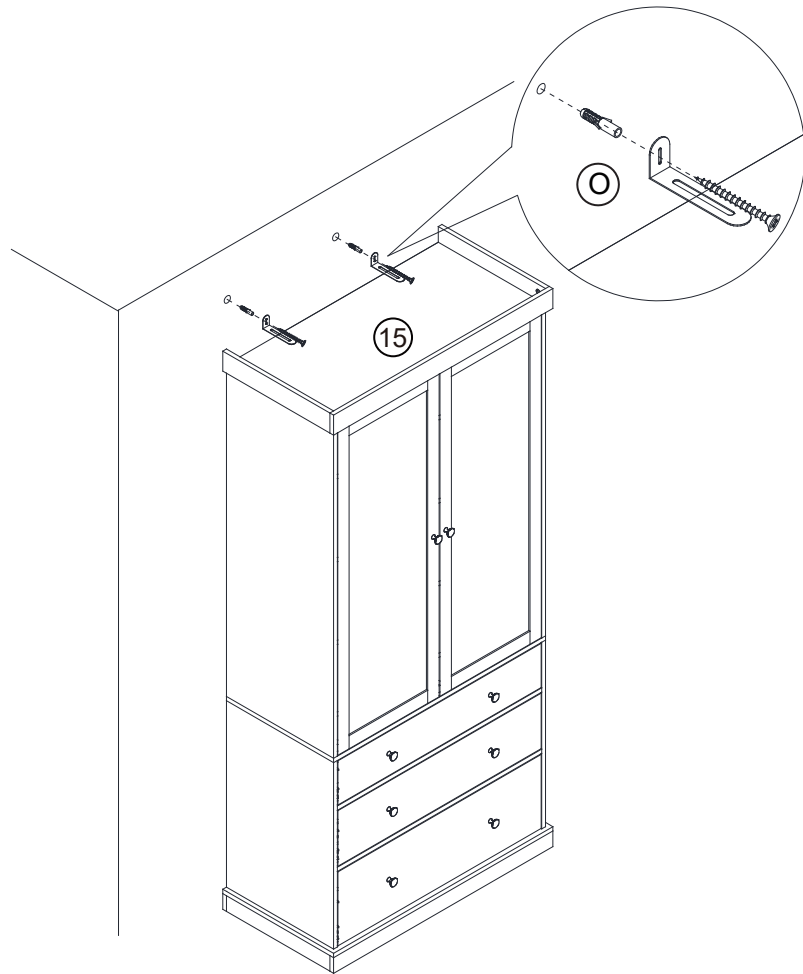
(C)



Cam lock x 12

Assembly Instructions

Step 37



Step 38

