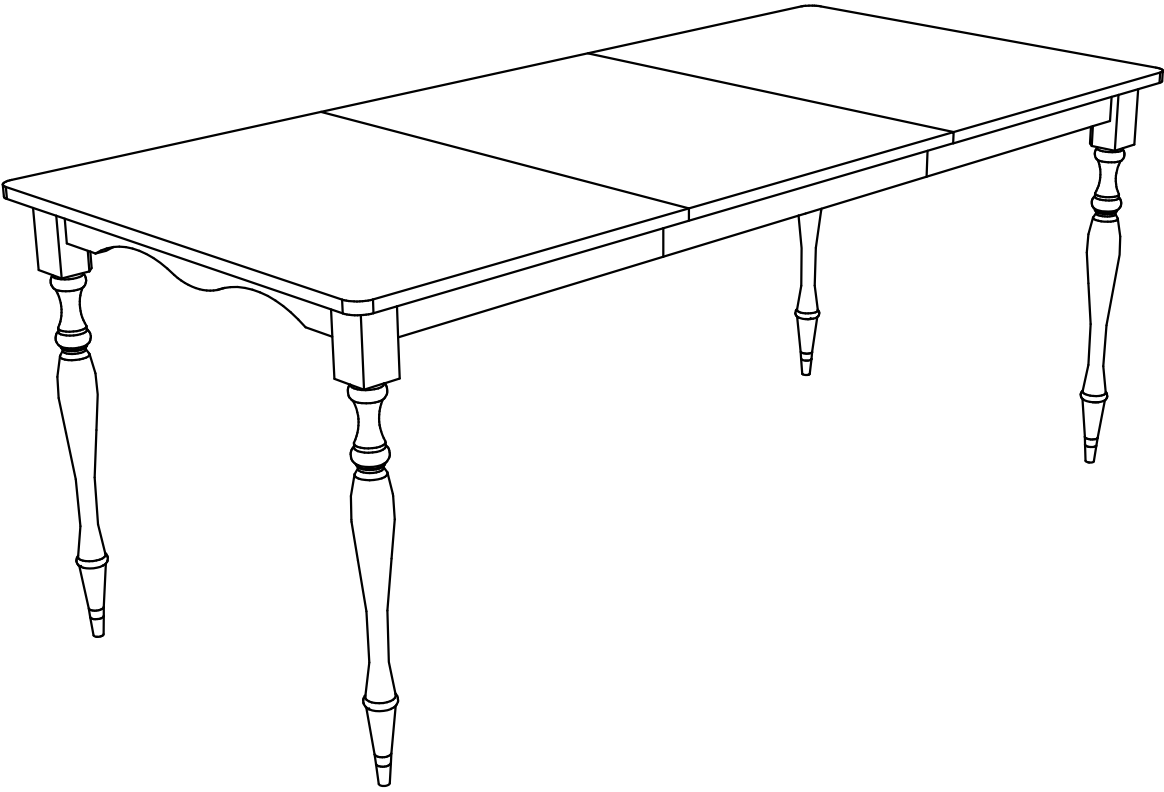


ASSEMBLY INSTRUCTION

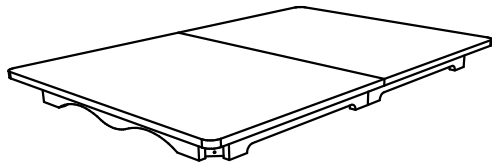
N717P170406

x1



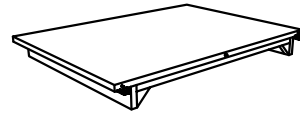
PARTS LIST - N717P170406

A



Quantity:
1 pc

B






Quantity:
1 pc

C



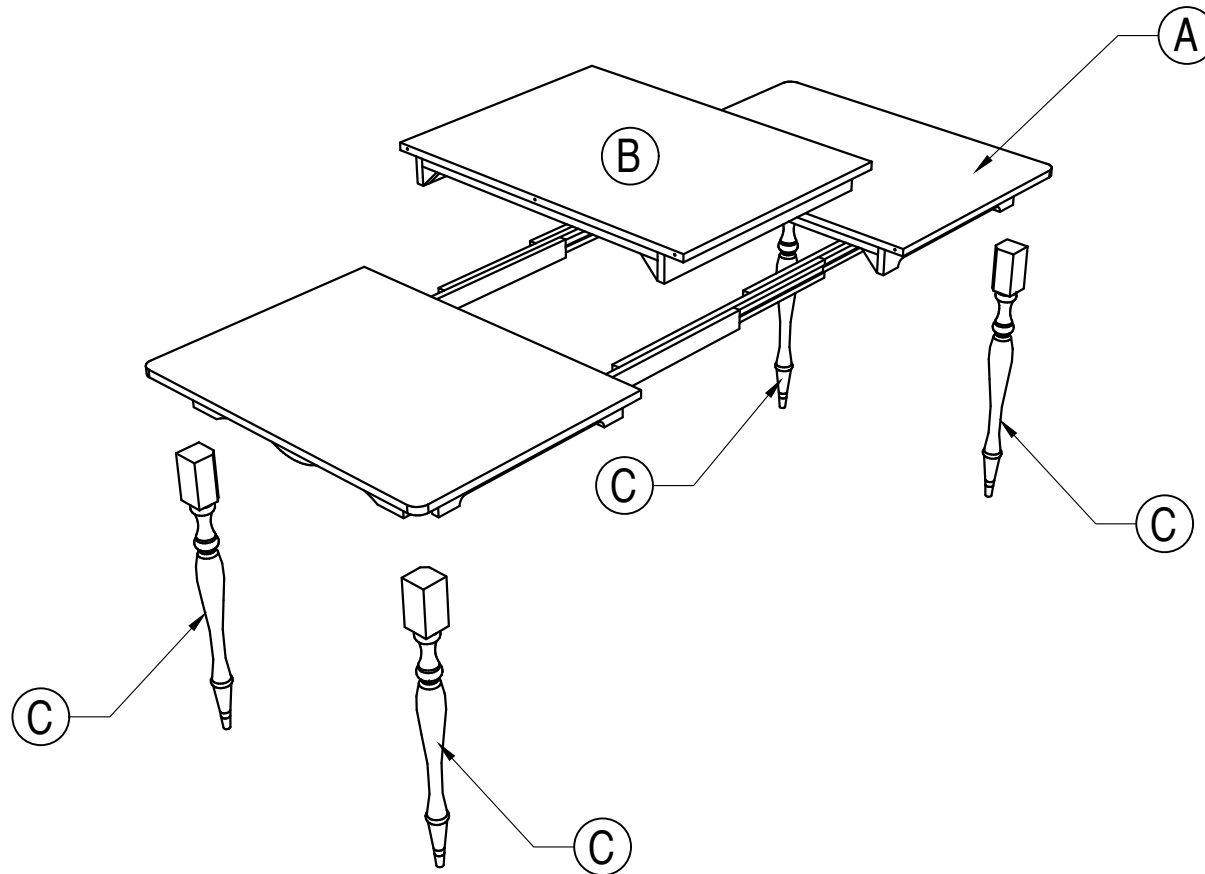
Quantity:
4 pcs

HARDWARE LIST - N717P170406

①	②	③
		
Allen key Quantity: 1 pc	8x50mm Quantity: 8 pcs	8x19mm Quantity: 8pcs

COMPONENTS - KEY DIAGRAM

N717P170406



x1

STEP 1

①



1 pc

②

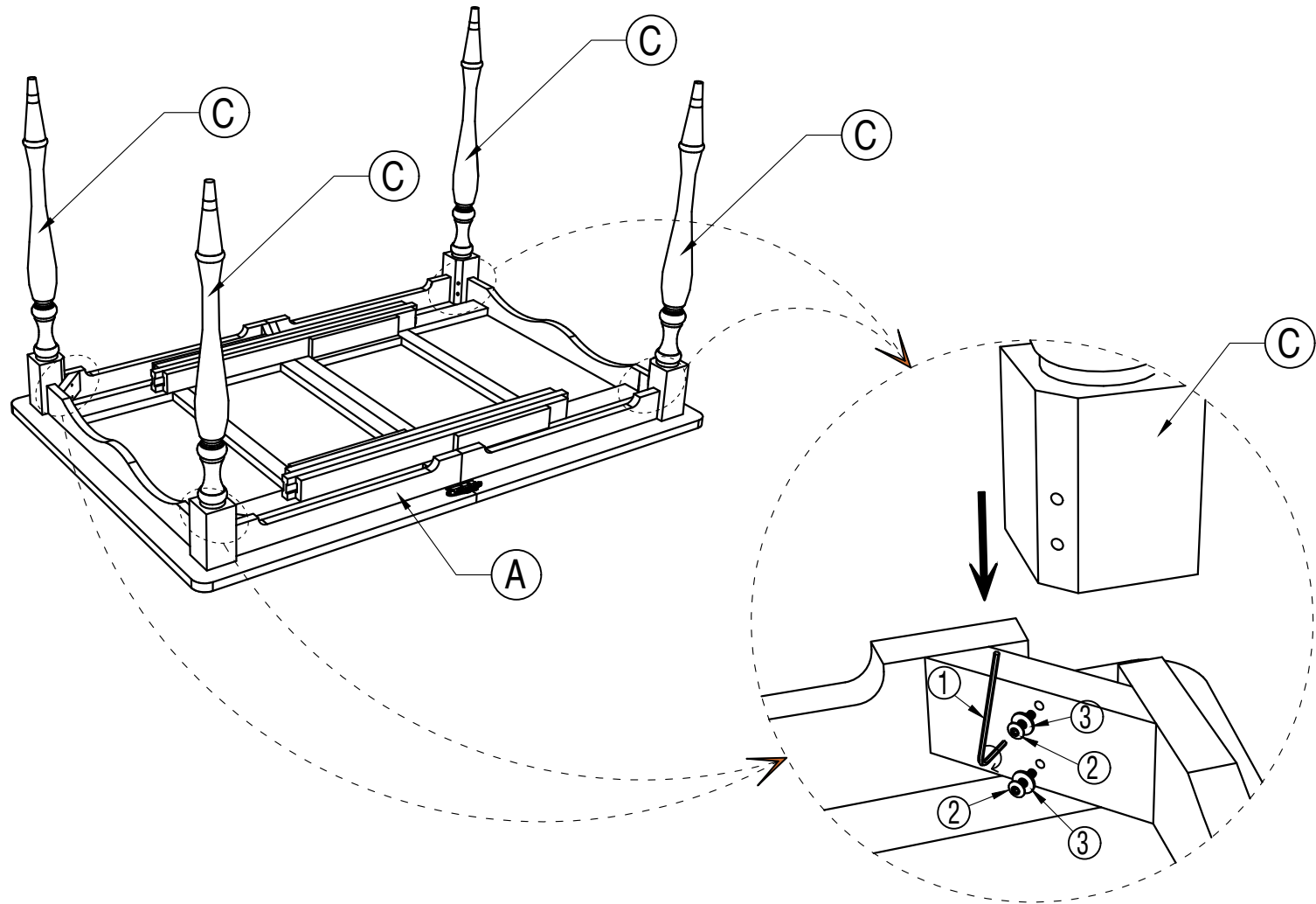


8x50mm
8 pcs

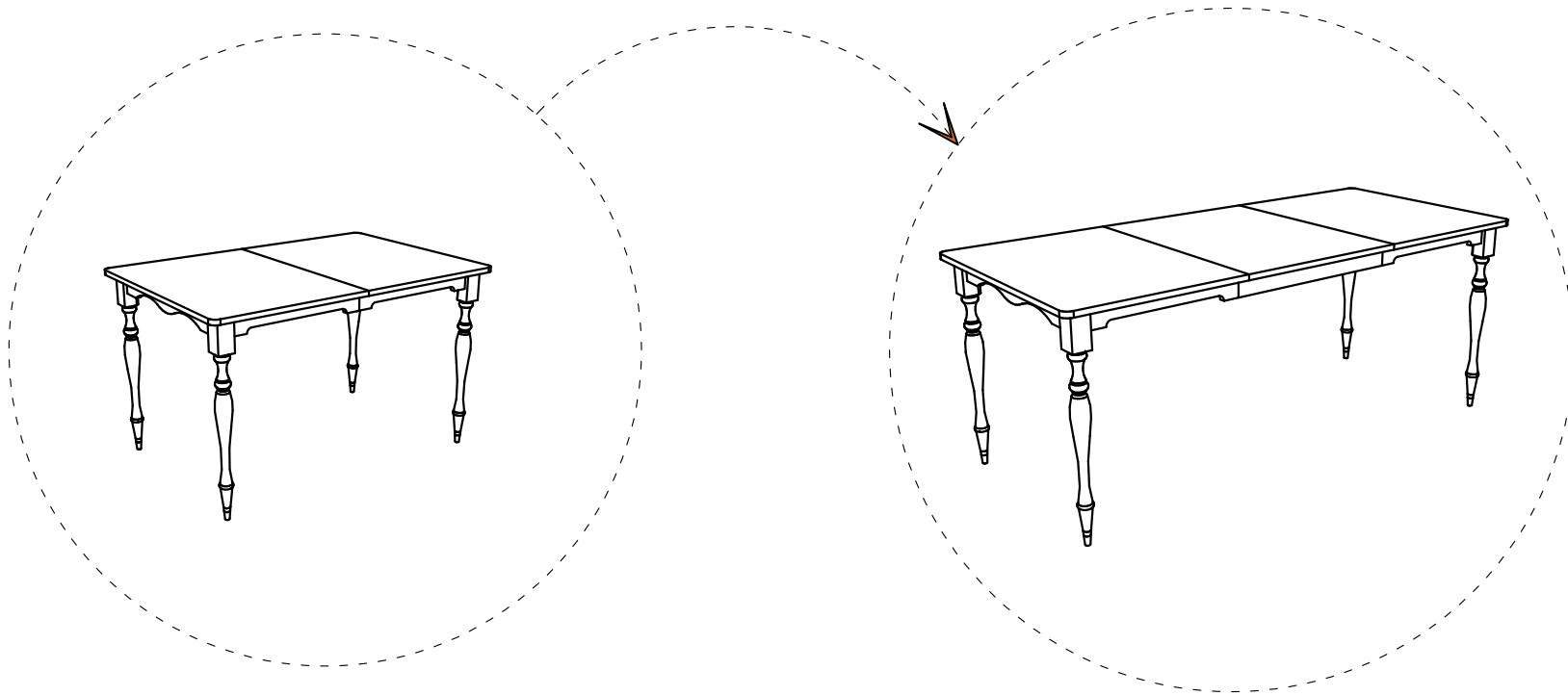
③



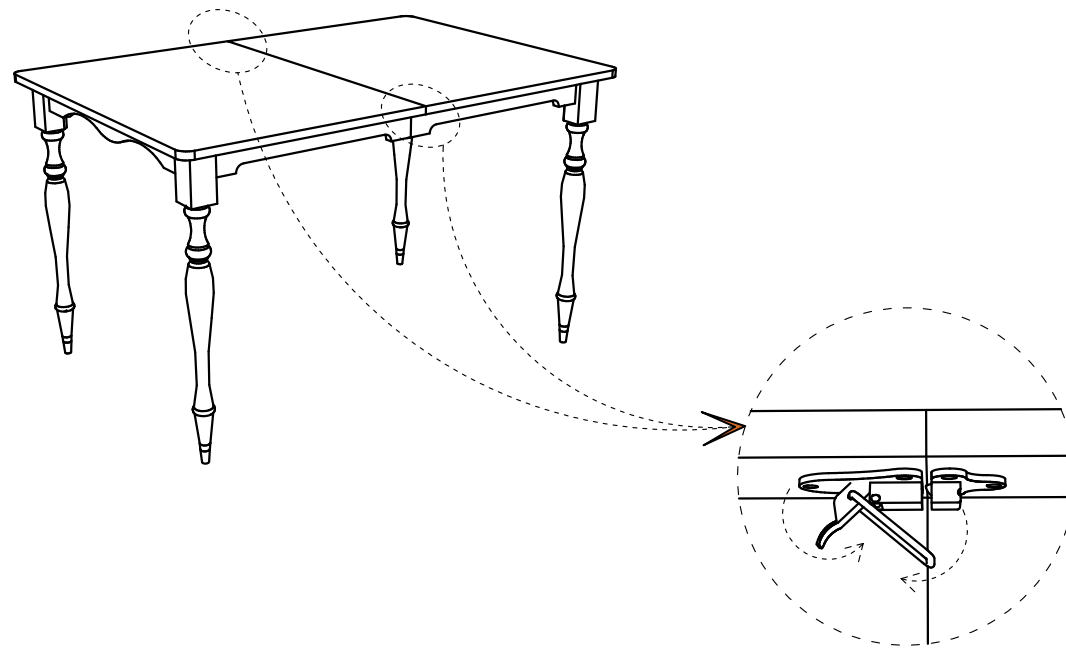
8x19mm
8 pcs



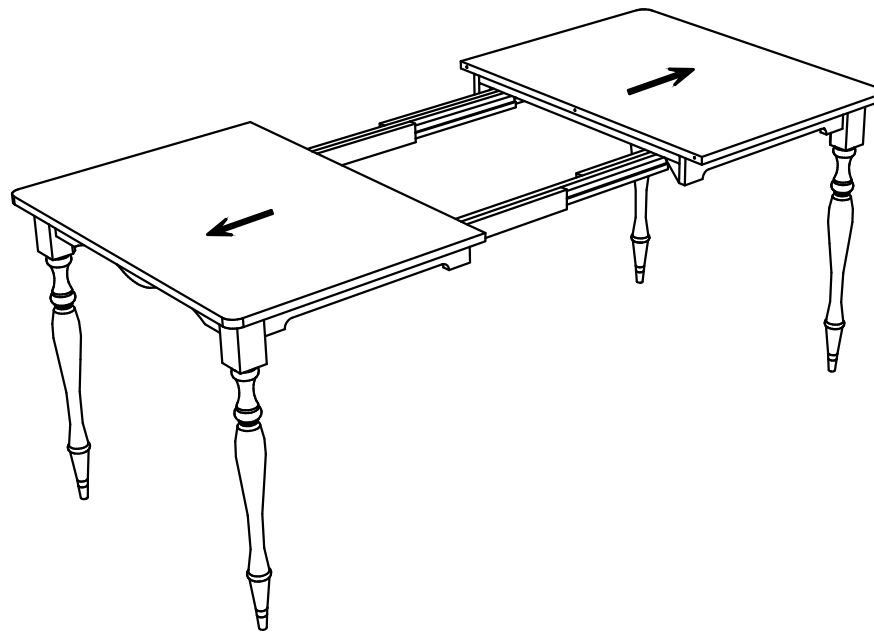
HOW TO EXTEND THE TABLE



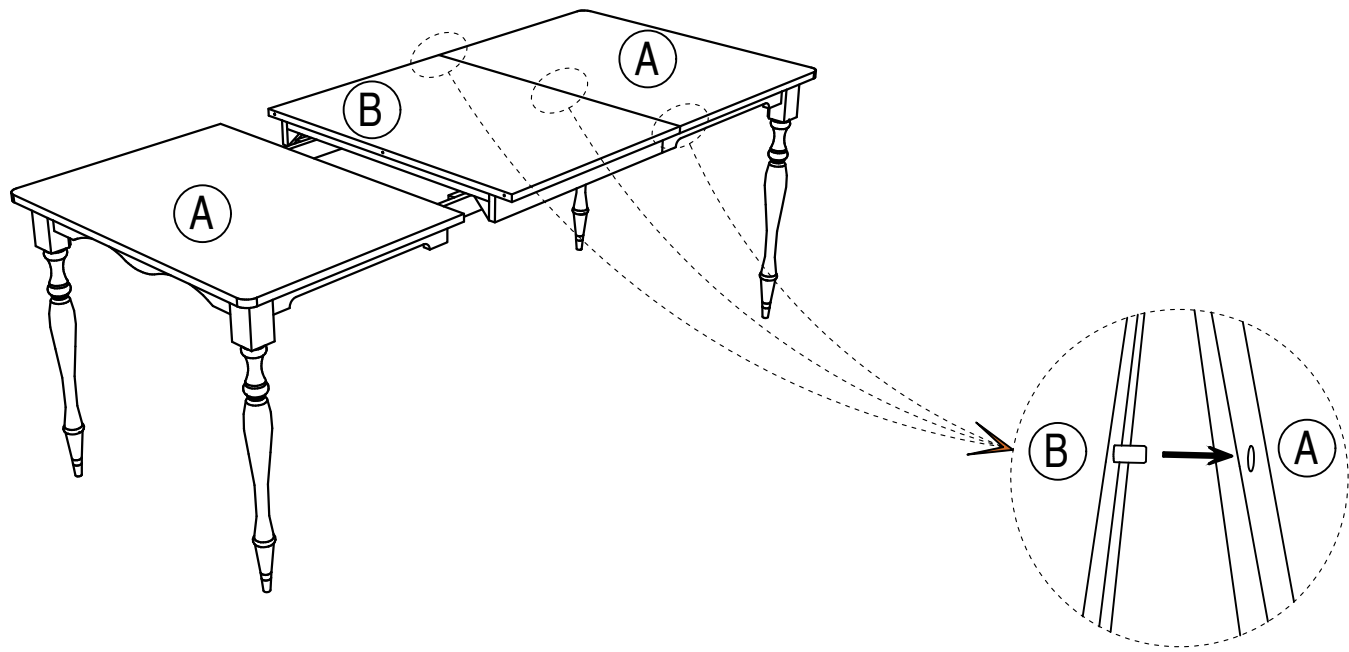
STEP 1



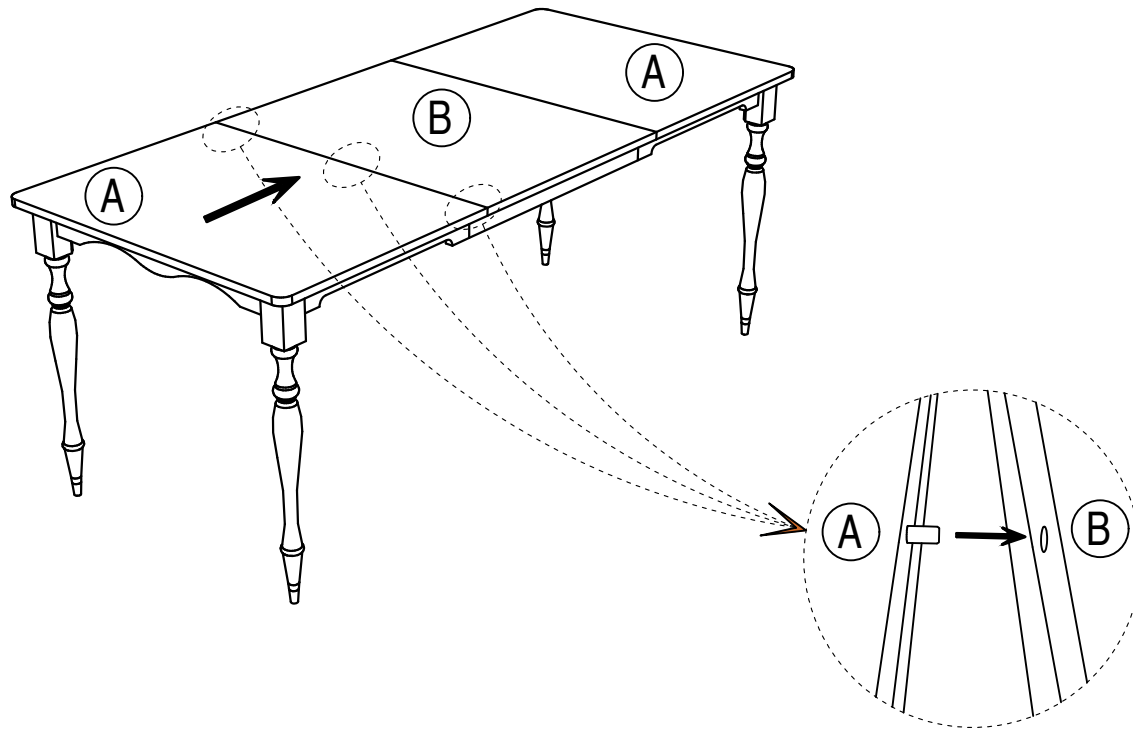
STEP 2



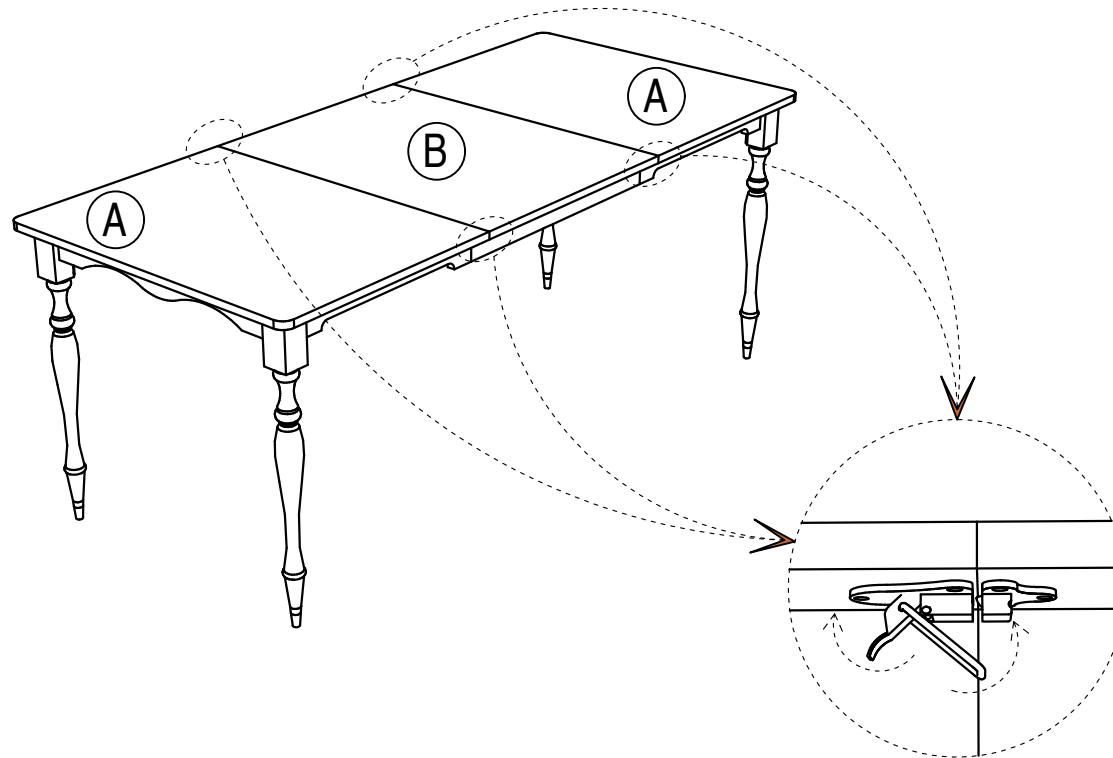
STEP 3



STEP 4



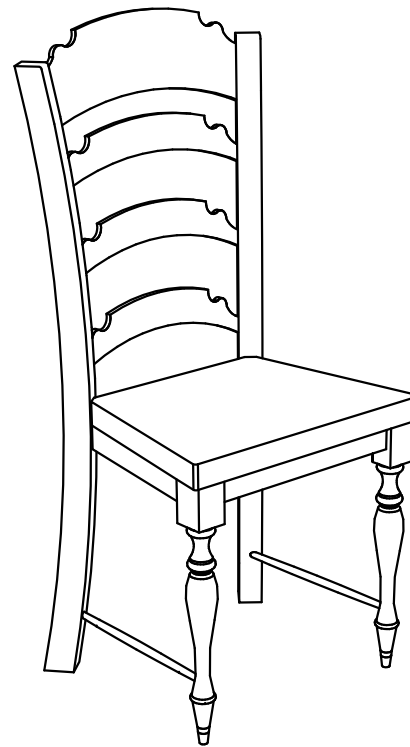
STEP 5



ASSEMBLY INSTRUCTION

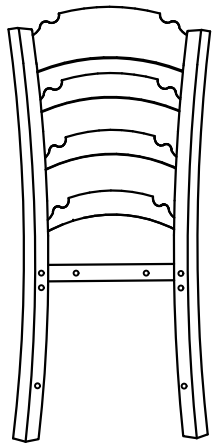
N717P170412

x4



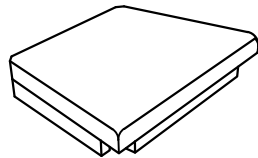
PARTS LIST - N717P170412
Part List for One

A



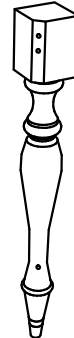
Quantity:
1 pc

B



Quantity:
1 pc

C_L



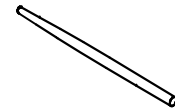
Quantity:
1 pc

C_R



Quantity:
1 pc



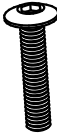
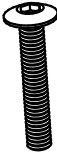



D



Quantity:
2 pcs

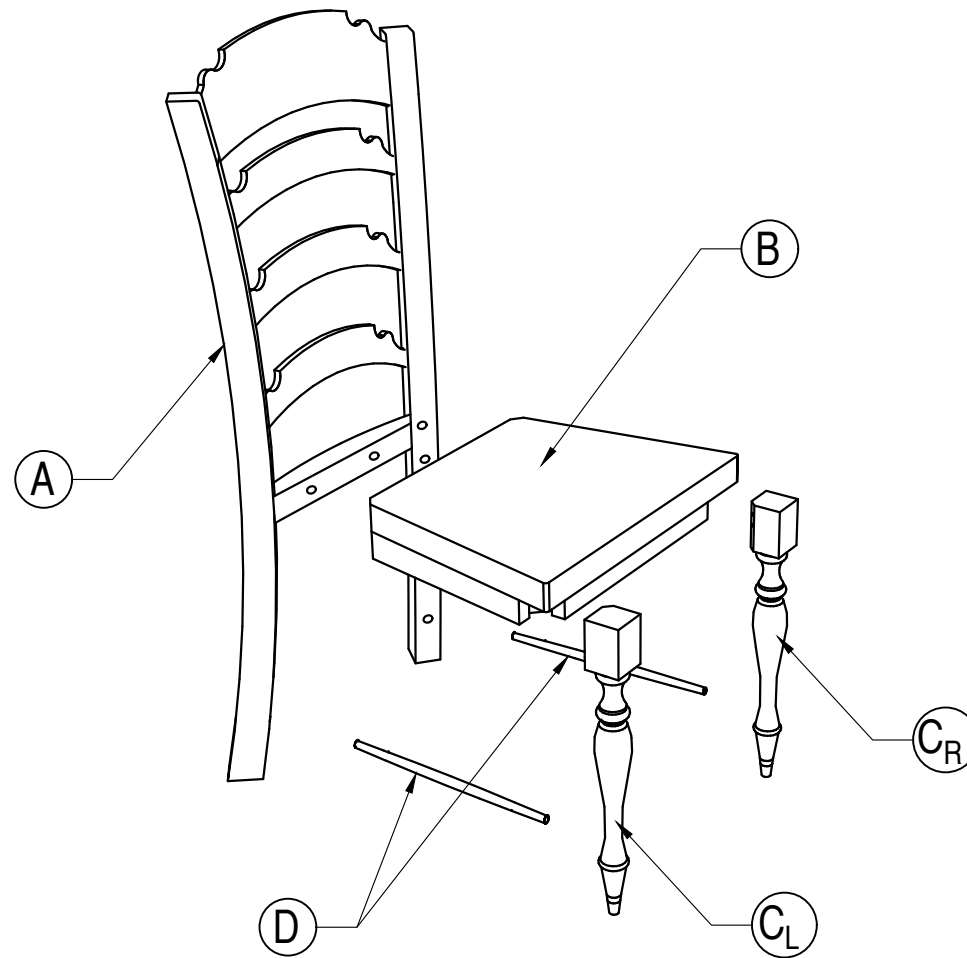
HARDWARE LIST - N717P170412

Hardware List for One

①	②	③	④	⑤	⑥	⑦
						
Allen key Quantity: 1 pc	6x35mm Quantity: 2 pcs	6x50mm Quantity: 4 pcs	6x70mm Quantity: 4 pcs	6x16mm Quantity: 10 pcs	5x30mm Quantity: 4 pcs	Screwdrivers Quantity: 1 pc

COMPONENTS - KEY DIAGRAM

N717P170412



x4

STEP 1

1



1 pc

2



6x35mm
2 pcs

4



6x70mm
4 pcs

5



6x16mm
6 pcs

6

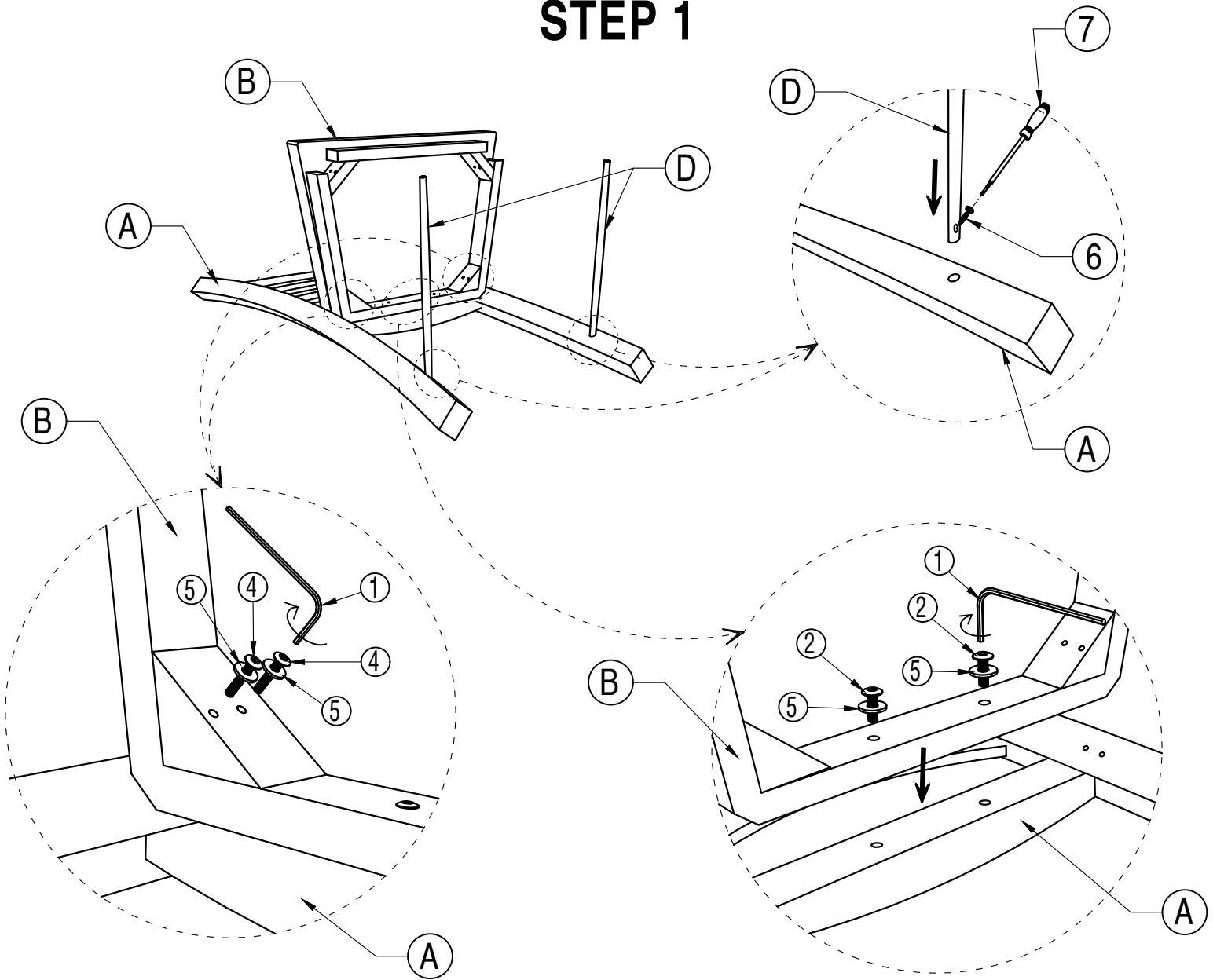


5x30mm
2 pcs

7



1 pc



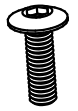
STEP 2

1



1 pc

3



6x50mm
4 pcs

5



6x16mm
4 pcs

6

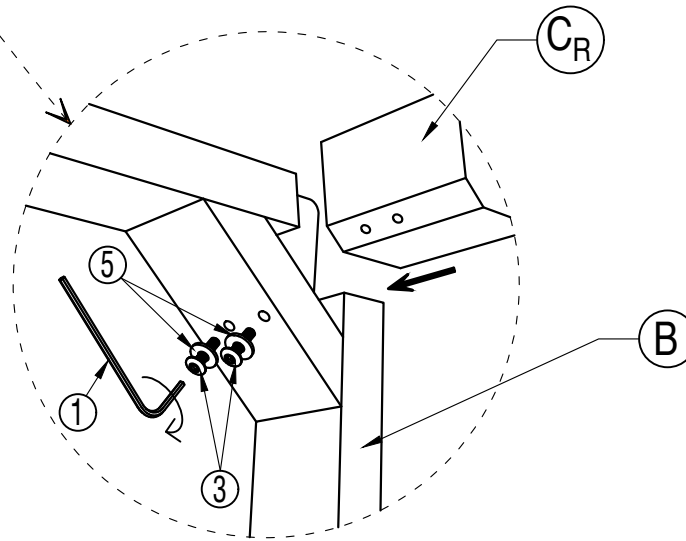
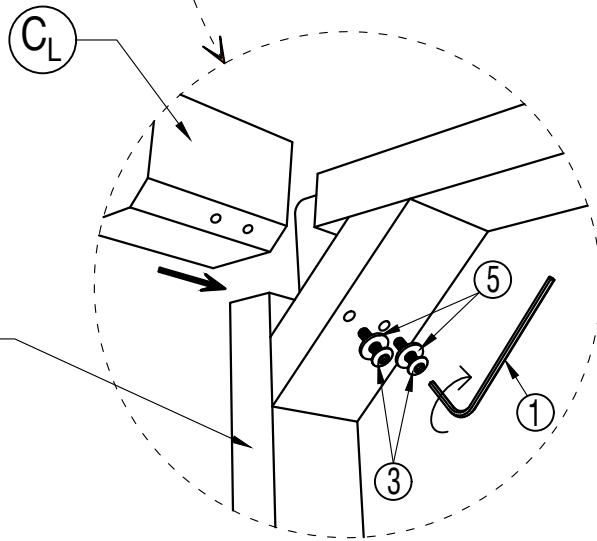
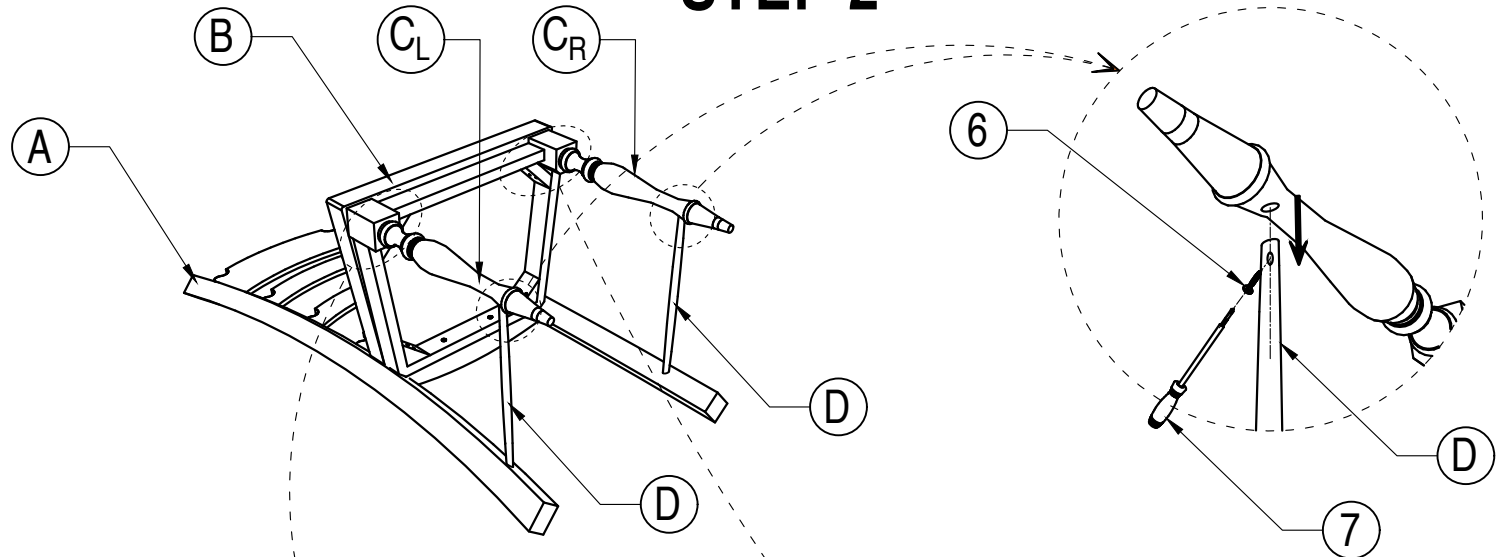


5x30mm
2 pcs

7



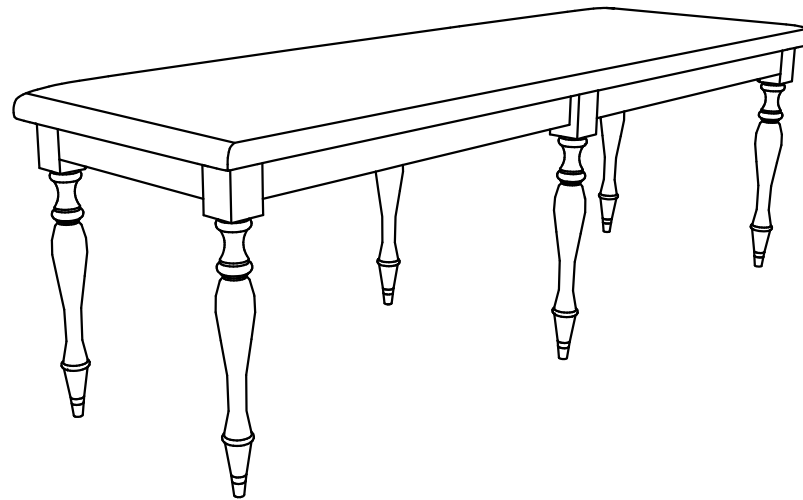
1 pc



ASSEMBLY INSTRUCTION

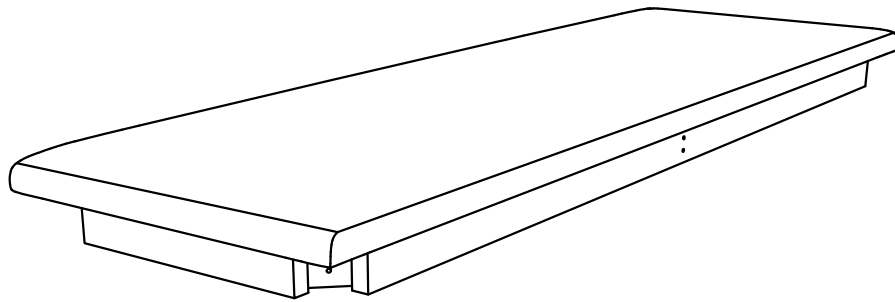
N717P170409

x1



PARTS LIST - N717P170409

A



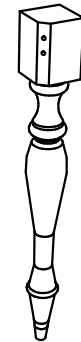
Quantity:
1 pc

B






Quantity:
2 pcs

C



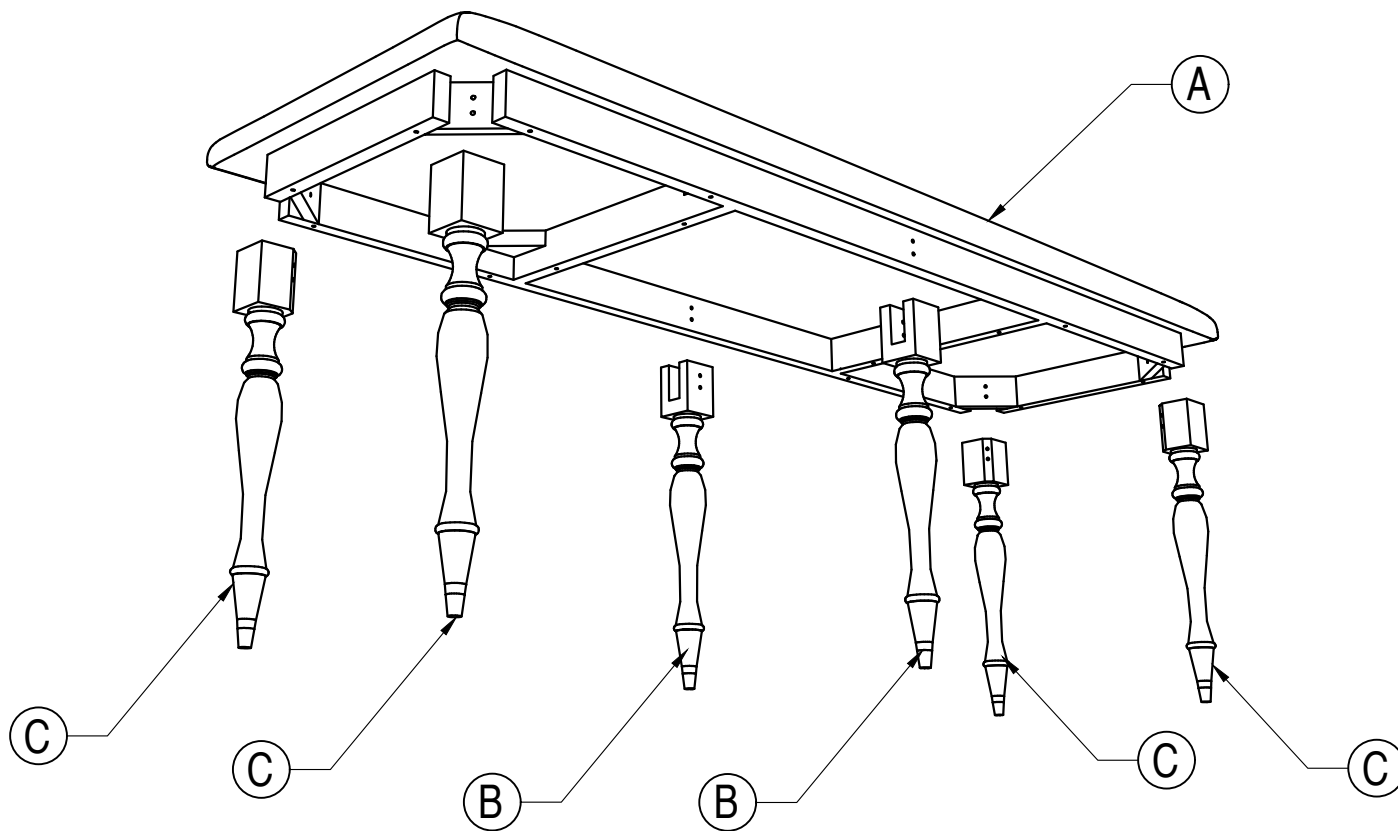
Quantity:
4 pcs

HARDWARE LIST - N717P170409

①	②	③
 <p>Allen key Quantity: 1 pc</p>	 <p>6x30mm Quantity: 12 pcs</p>	 <p>6x16mm Quantity: 12pcs</p>

COMPONENTS - KEY DIAGRAM

N717 P170409



x1

STEP 1

1



1 pc

2

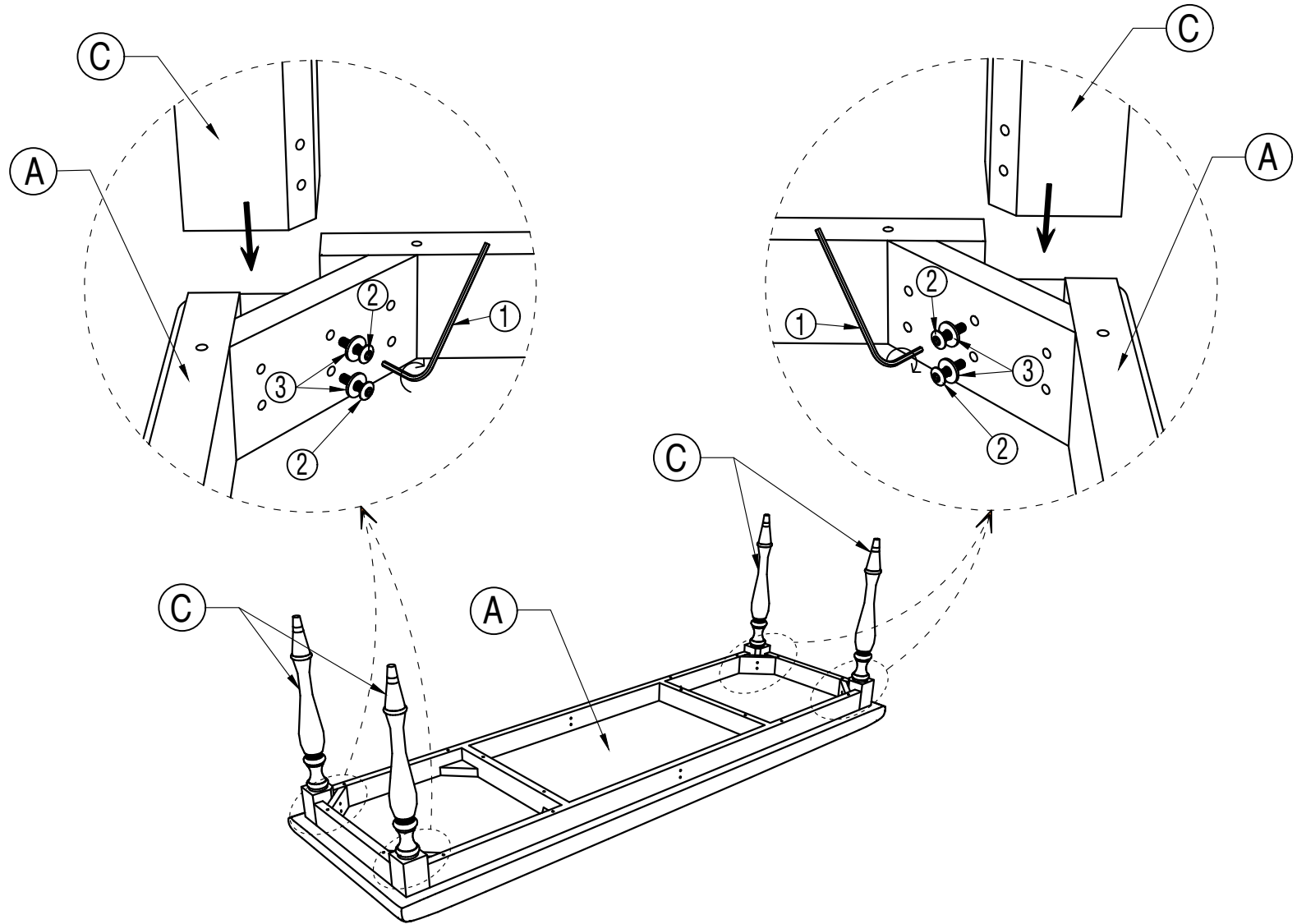


6x50mm
8 pcs

3



6x16mm
8 pcs



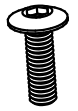
STEP 2

①



1 pc

②



6x50mm
4 pcs

③



6x16mm
4 pcs

