

ASSEMBLY INSTRUCTIONS

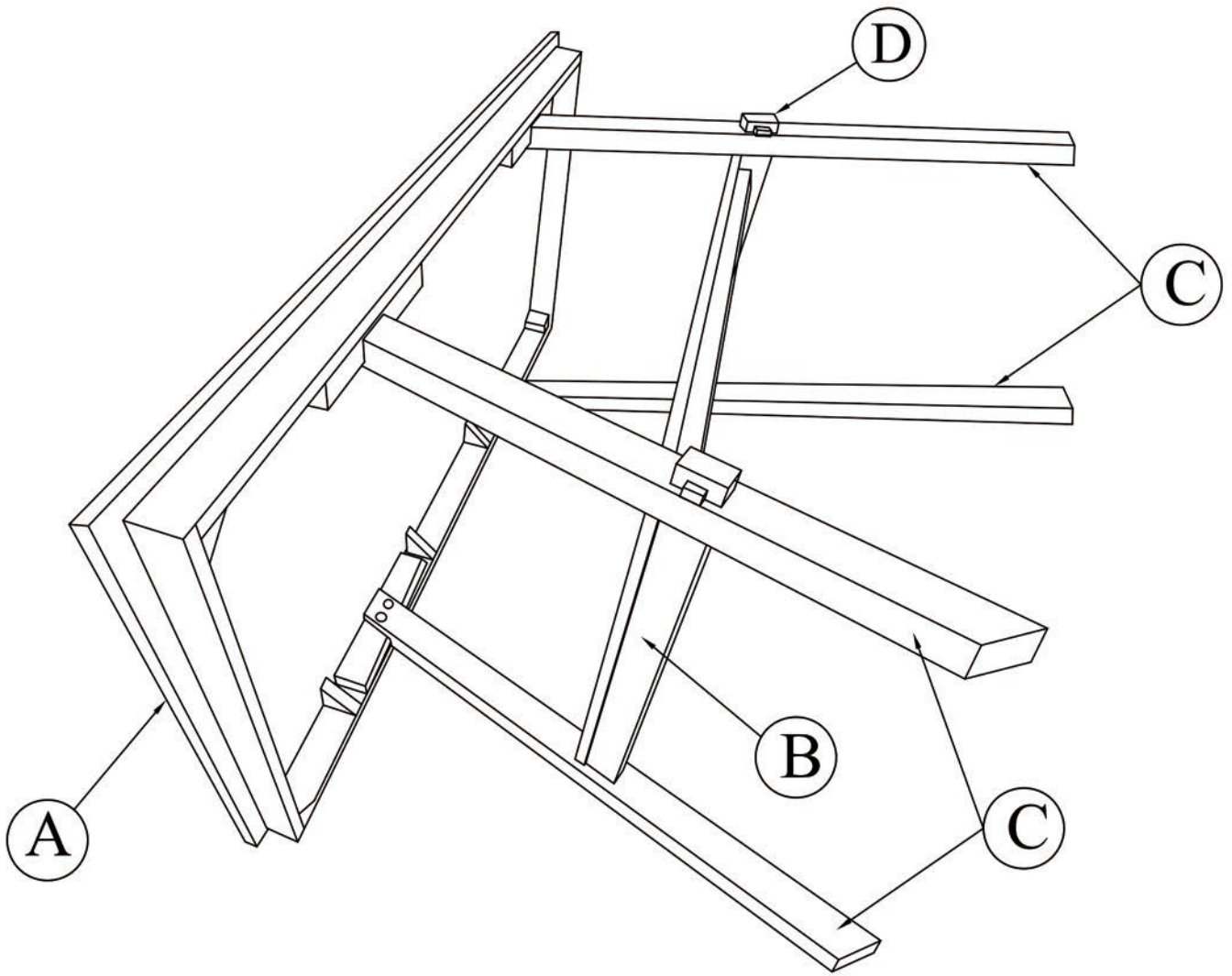
ITEM NO: WF297120

DINING TABLE



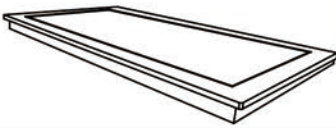











IMPORTANT NOTE:

- ① PLACE ALL PARTS ON A CLEAN AND SMOOTH SURFACE SUCH AS A RUG OR CARPET TO AVOID THE PARTS FROM BEING SCRATCHED.
- ② BEFORE YOU BEGIN, KINDLY FOLLOW THE ASSEMBLY INSTRUCTIONS STEP BY STEP.
- ③ DO NOT TIGHTEN ALL SCREWS AND BOLTS UNTIL THE TABLE IS FULLY SET-UP

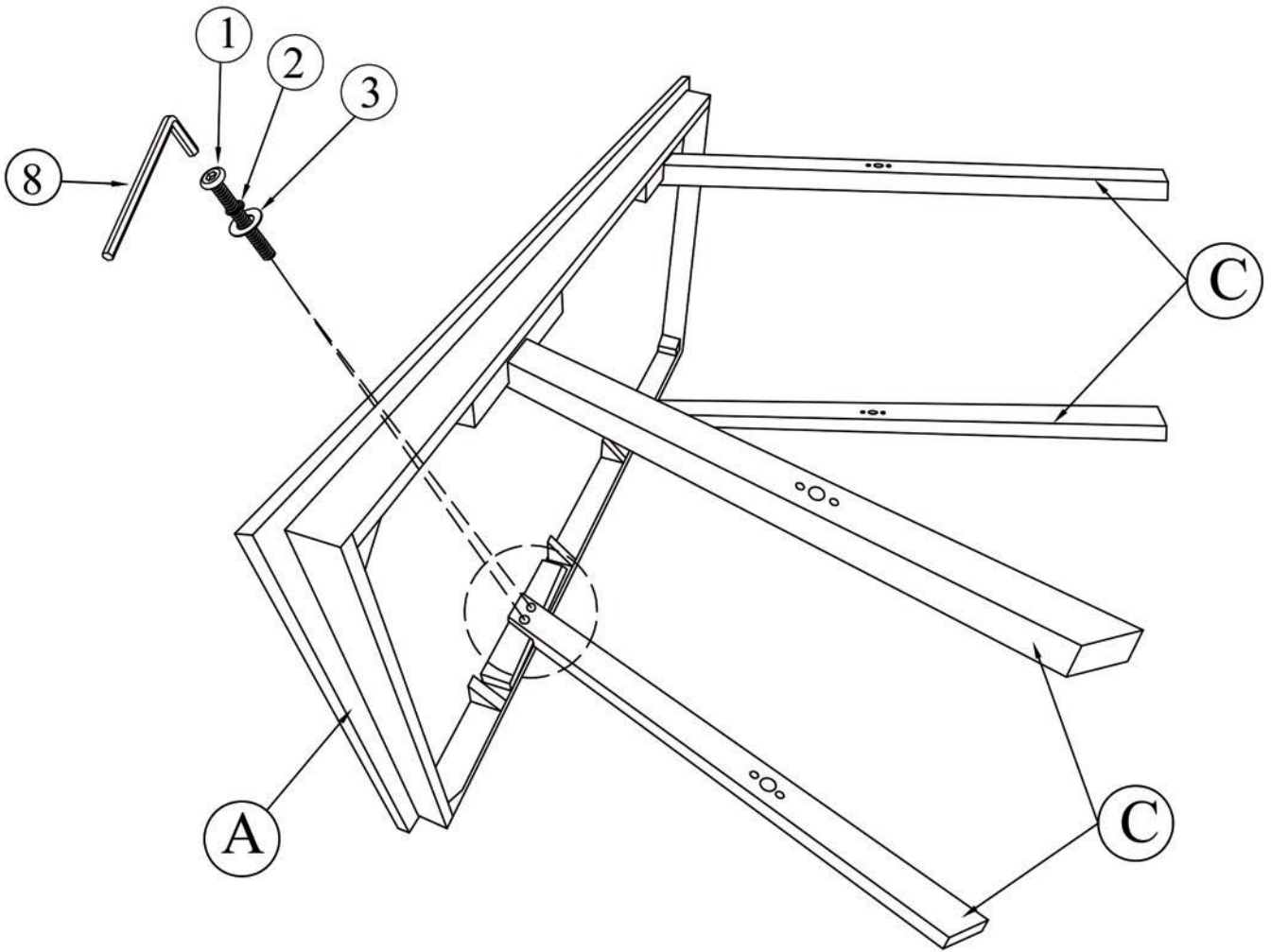


Part List For One

Hardware List For One

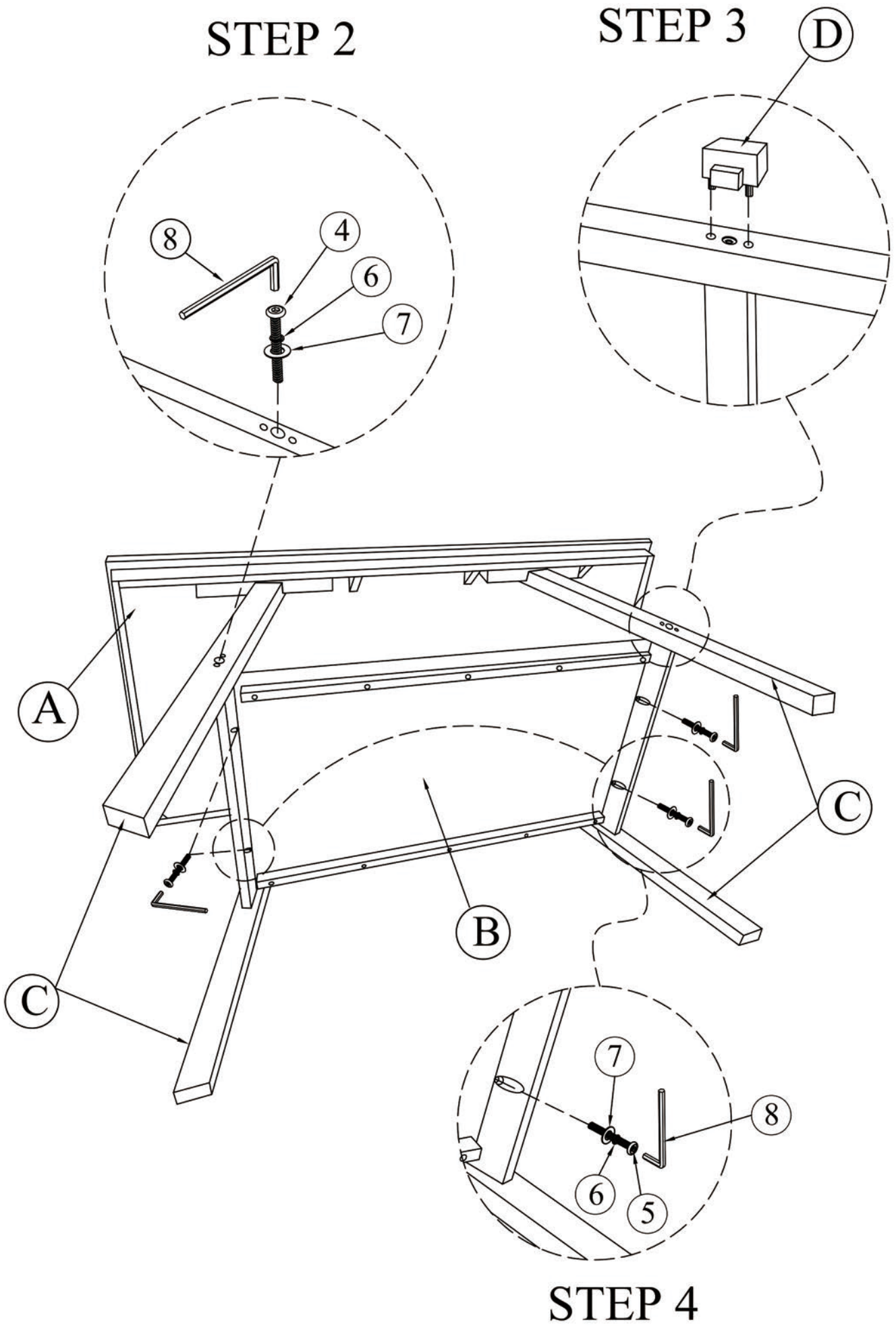
Part List For One			Hardware List For One			
No	Parts Desc.	Q'ty				
A	TOP PANEL 	1pc	1	Bolts 5/16"*50mm		8pcs
			2	Spring Washer 5/16"*13mm x 1.5mm		8pcs
			3	Flat Washer 5/16"*14mm x 1.5mm		8pcs
B	SHELF FRAME 	1pc	4	Bolts 1/4"*50mm		4pcs
			5	Bolts 1/4"*30mm		4pcs
C	LEGS 	4pcs	6	Spring Washer 1/4"*11mm x 1.5mm		8pcs
D	DECORATION WOOD 	4pcs	7	Flat Washer 1/4"*14mm x 1.5mm		8pcs
			8	Allen Key 4mm*60mm		1pc

STEP 1



STEP 2

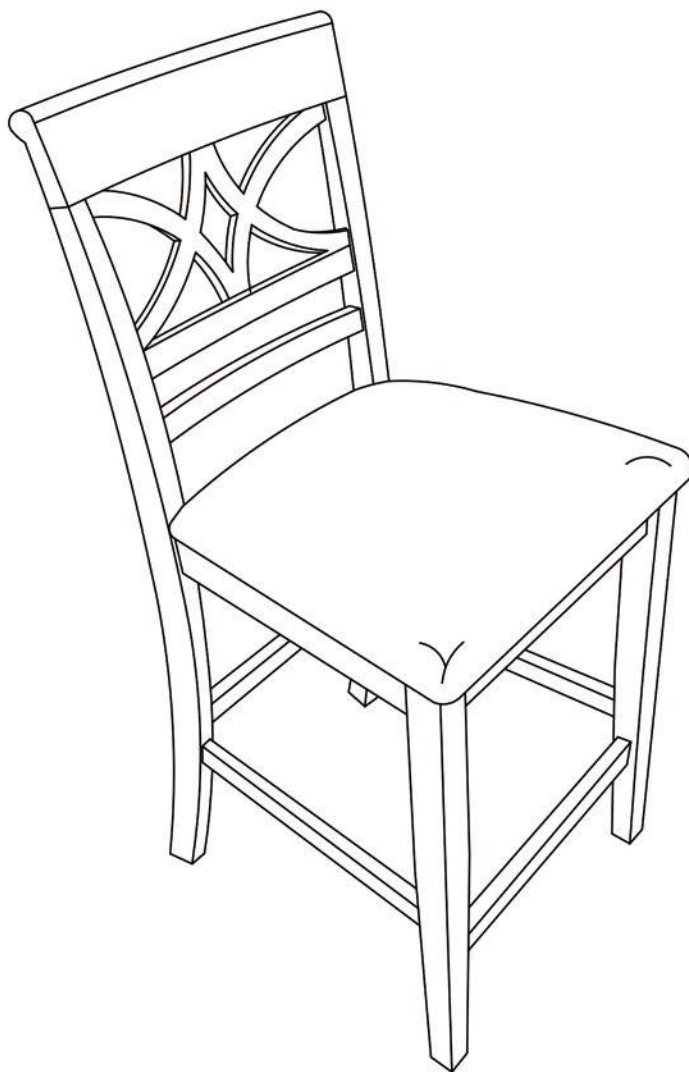
STEP 3



ASSEMBLY INSTRUCTIONS

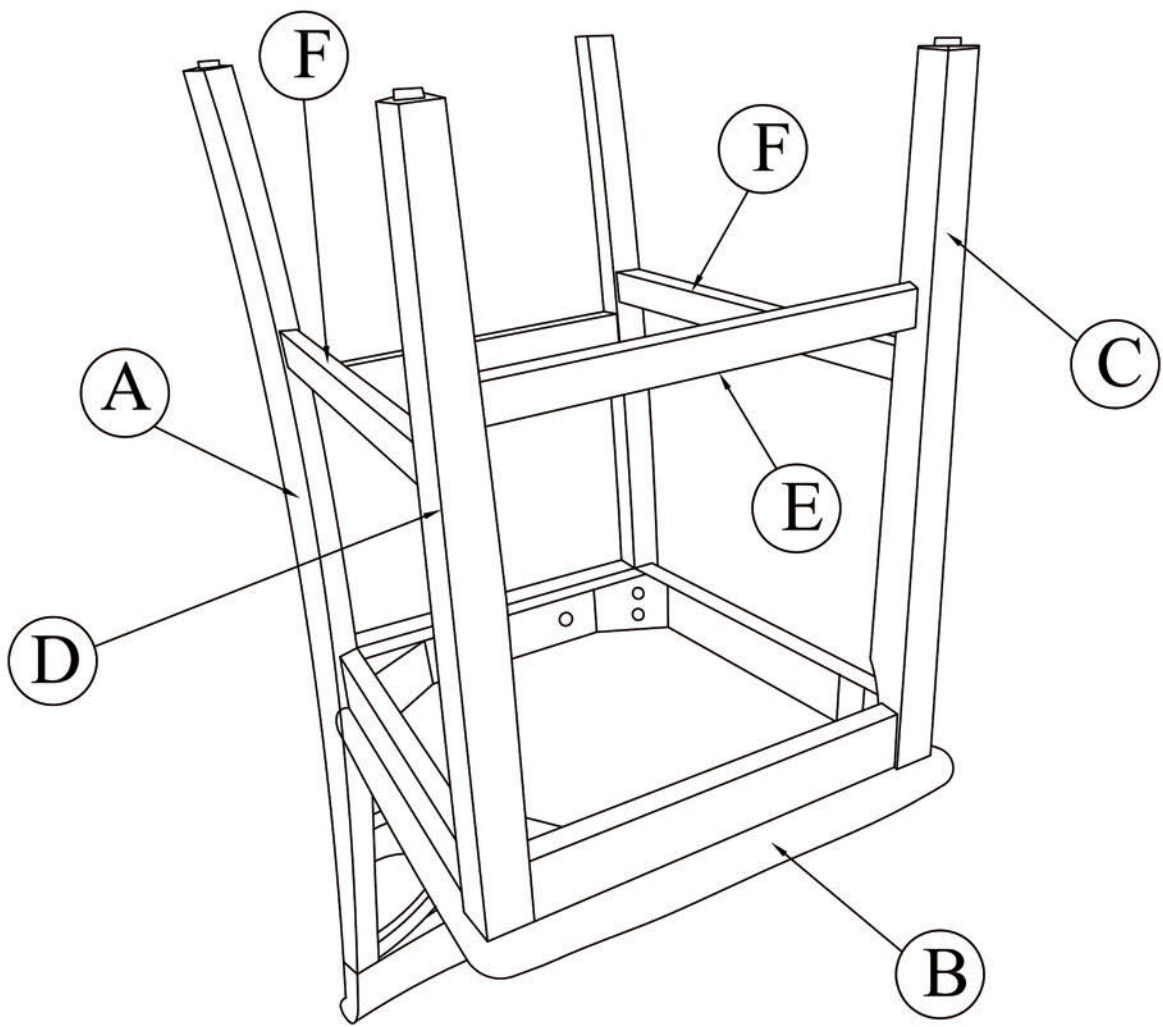
ITEM NO: WF297121




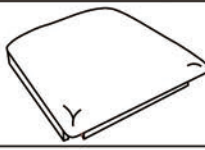









DINING CHAIR



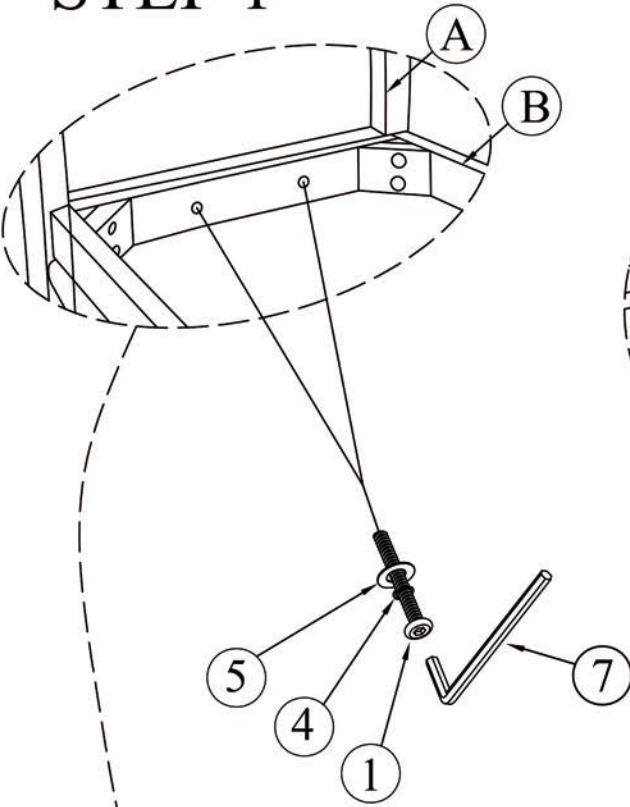
IMPORTANT NOTE:

- ① PLACE ALL PARTS ON A CLEAN AND SMOOTH SURFACE SUCH AS A RUG OR CARPET TO AVOID THE PARTS FROM BEING SCRATCHED.
- ② BEFORE YOU BEGIN, KINDLY FOLLOW THE ASSEMBLY INSTRUCTIONS STEP BY STEP.
- ③ DO NOT TIGHTEN ALL SCREWS AND BOLTS UNTIL THE CHAIR IS FULLY SET-UP

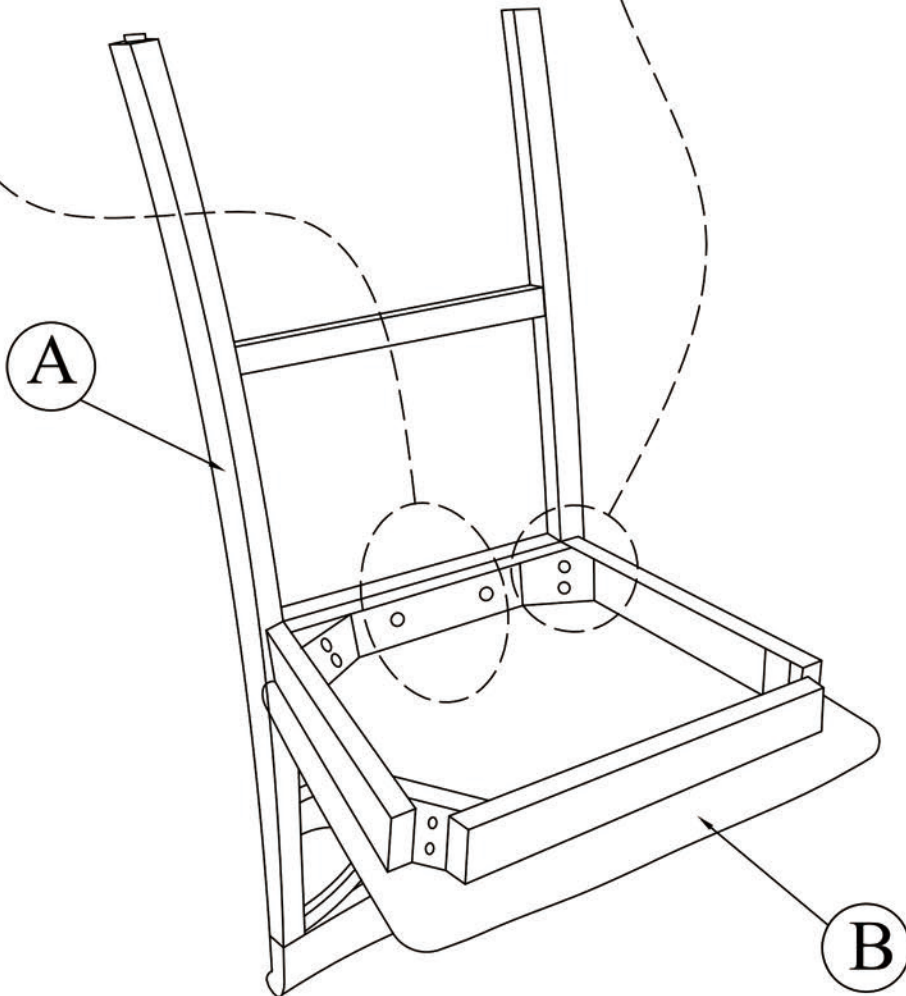
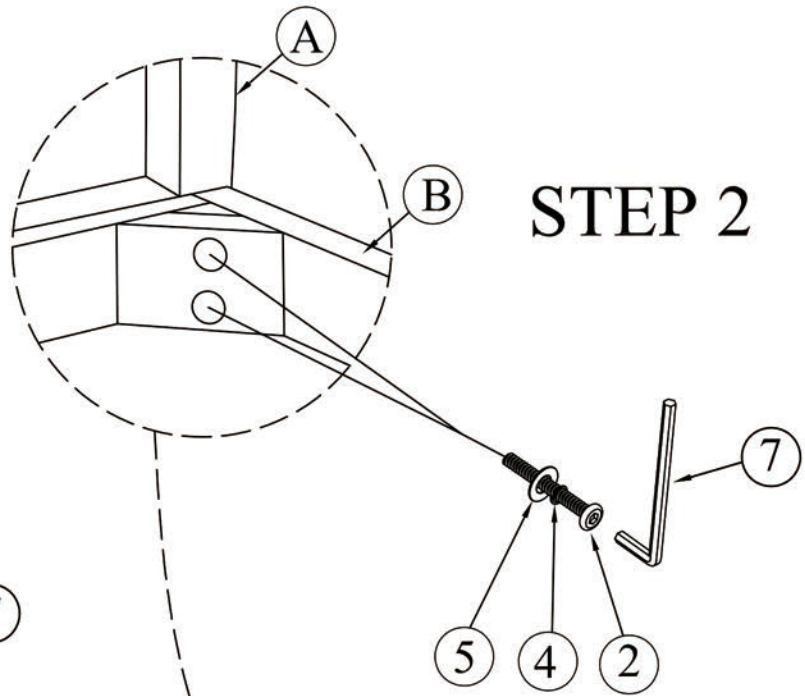


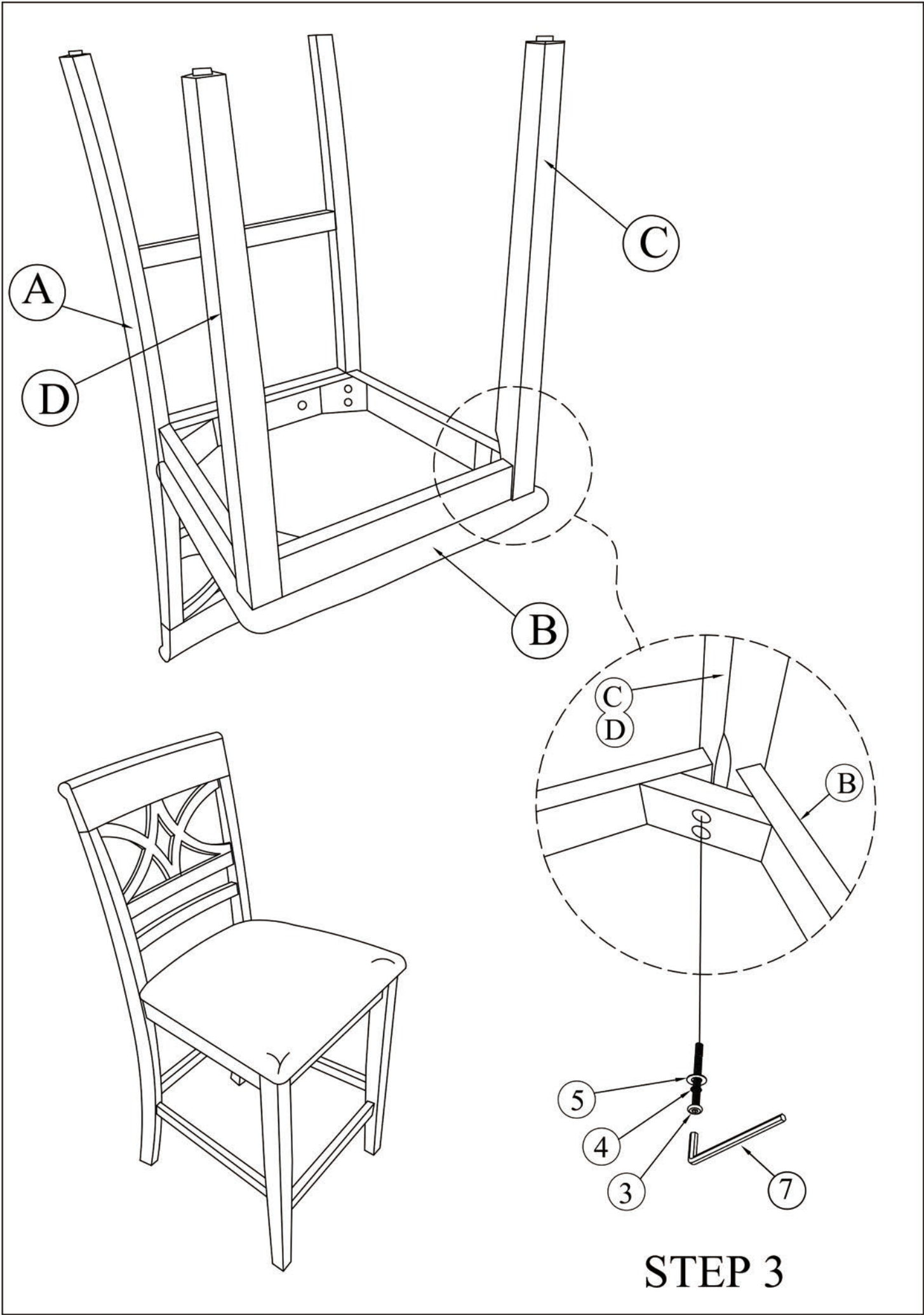
Part List For One			Hardware List For One		
No	Parts Desc.	Q'ty	No	Hardware Desc.	Q'ty
A	BACK FRAME 	1pc	1	Bolts 1/4"*35mm 	2pcs
			2	Bolts 1/4"*70mm 	4pcs
B	SEAT FRAME 	1pc	3	Bolts 1/4"*50mm 	4pcs
			4	Spring Washer 1/4"*11mm x 1.5mm 	10pcs
C	FRONT LEG LEFT 	1pc	5	Flat Washer 1/4"*16mm x 1.5mm 	10pcs
D	FRONT LEG RIGHT 	1pc	6	Screws 4mm*40mm 	6pcs
E	FRONT STRETCHER 	1pc	7	Allen Key 4mm*60mm 	1pc
F	SIDE STRETCHER 	2pcs			

STEP 1



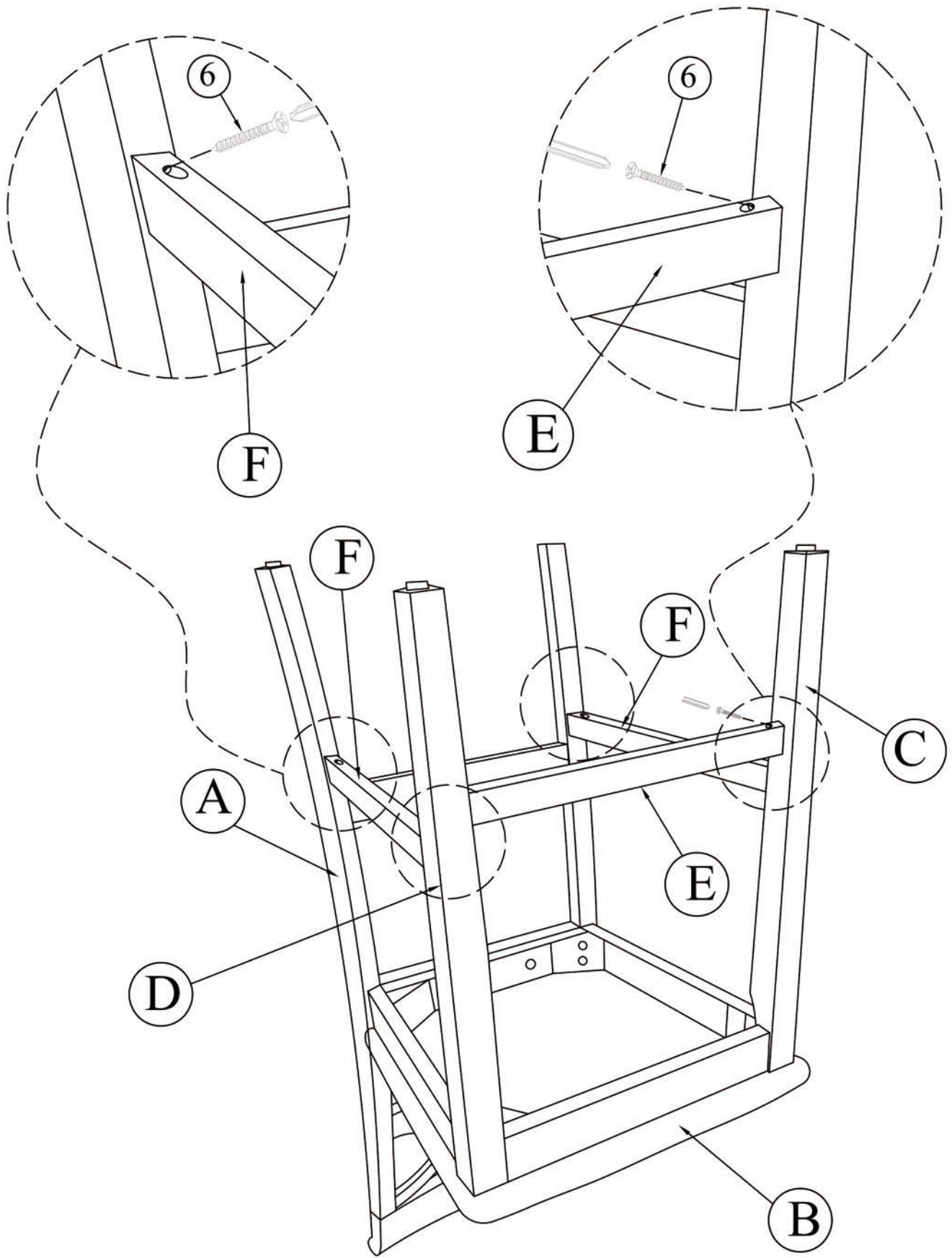
STEP 2





STEP 4

STEP 5



ASSEMBLY INSTRUCTIONS

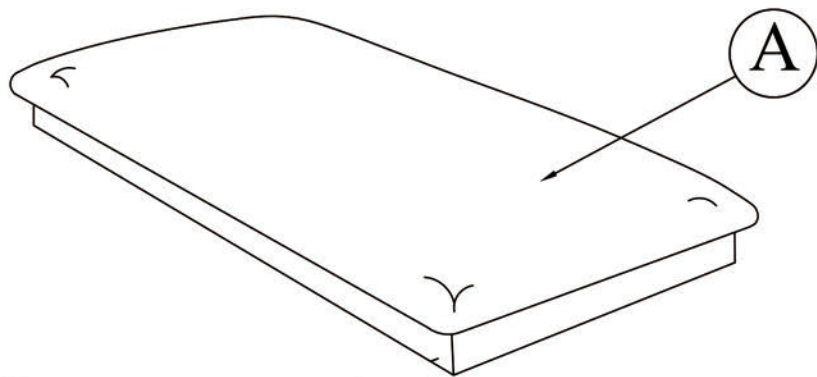
ITEM NO: WF297121

BENCH



IMPORTANT NOTE:

- ① PLACE ALL PARTS ON A CLEAN AND SMOOTH SURFACE SUCH AS A RUG OR CARPET TO AVOID THE PARTS FROM BEING SCRATCHED.
- ② BEFORE YOU BEGIN, KINDLY FOLLOW THE ASSEMBLY INSTRUCTIONS STEP BY STEP.
- ③ DO NOT TIGHTEN ALL SCREWS AND BOLTS UNTIL THE BENCH IS FULLY SET-UP



A

B

D

C

E

B

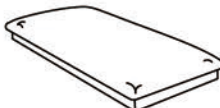
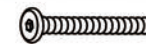
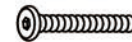








E

C

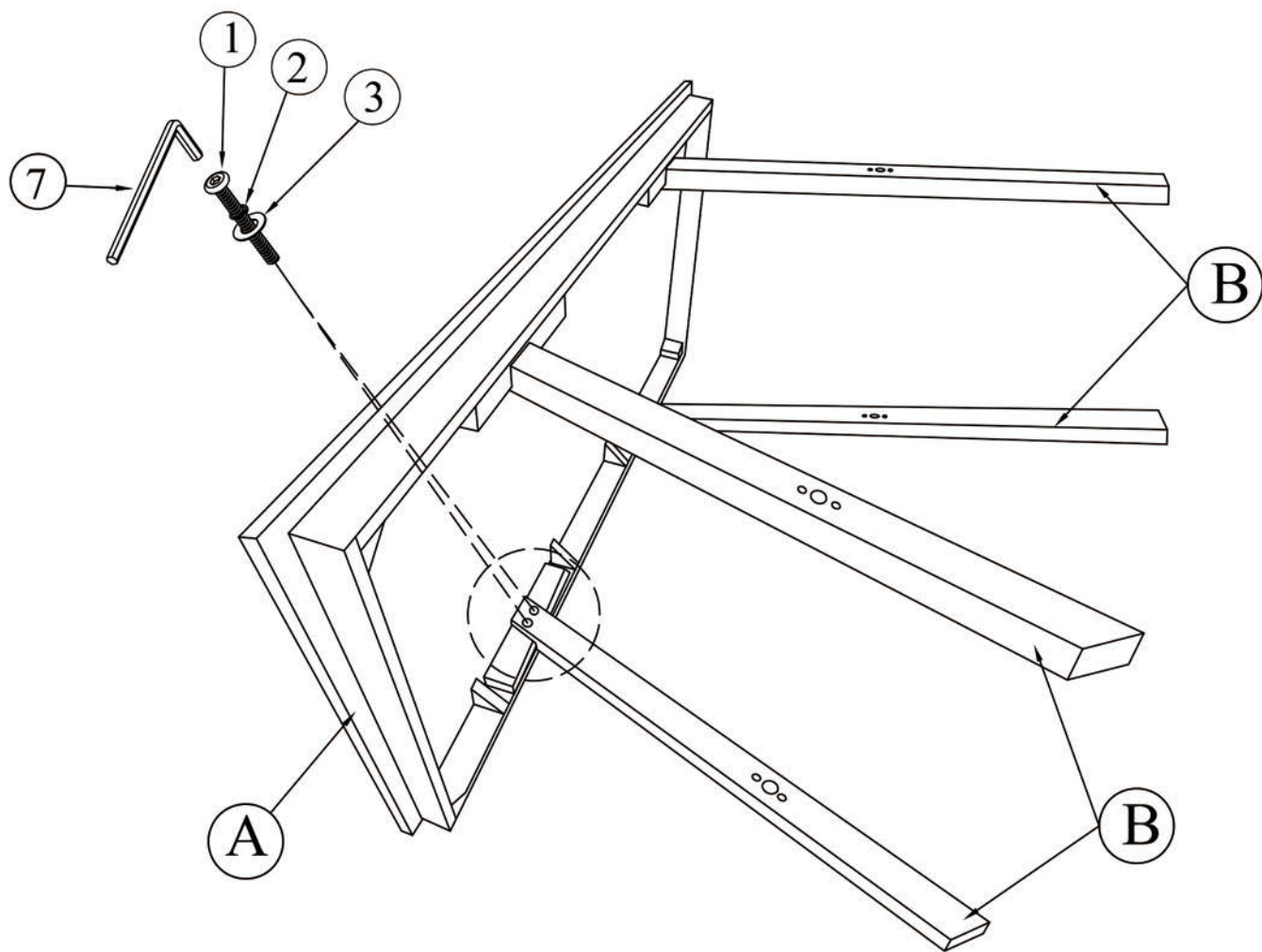
D

Part List For One

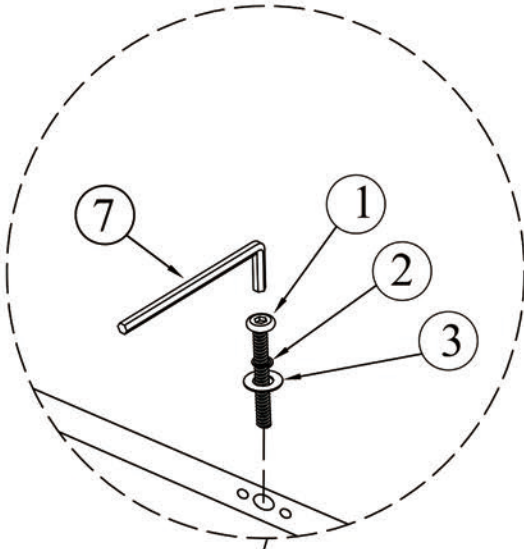
Hardware List For One

No	Parts Desc.	Q'ty	Hardware List For One		
A	SEAT FRAME 	1pc	1	Bolts 1/4"*50mm 	4pcs
			2	Bolts 1/4"*30mm 	8pcs
			3	Spring Washer 1/4"*11mm x 1.5mm 	12pcs
B	LEGS 	4pcs	4	Flat Washer 1/4"*14mm x 1.5mm 	12pcs
			5	Screws 4mm*50mm 	4pcs
C	DECORATION WOOD 	4pcs	6	Allen Key 4mm*60mm 	1pc
D	STRETCHER 1 	2pcs			
E	STRETCHER 2 	2pcs			

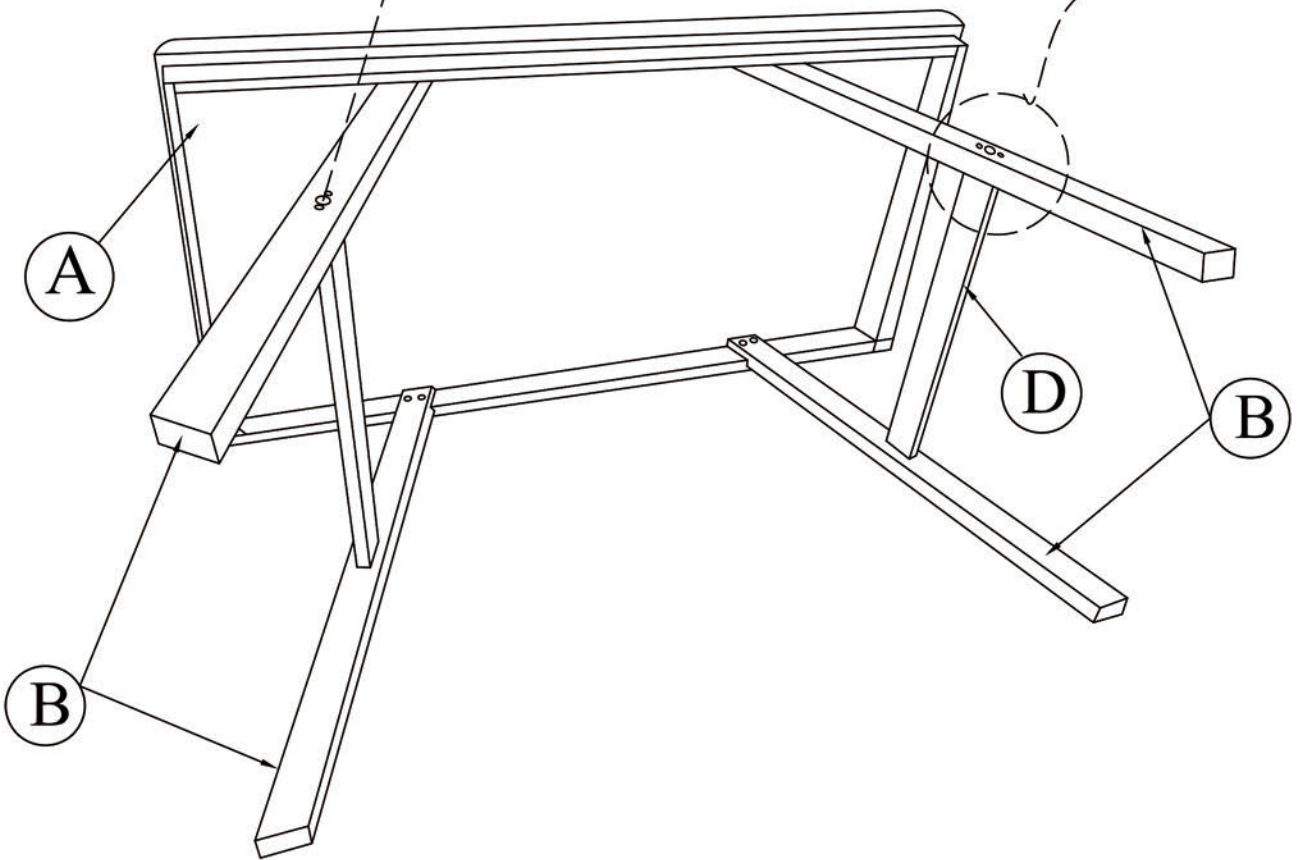
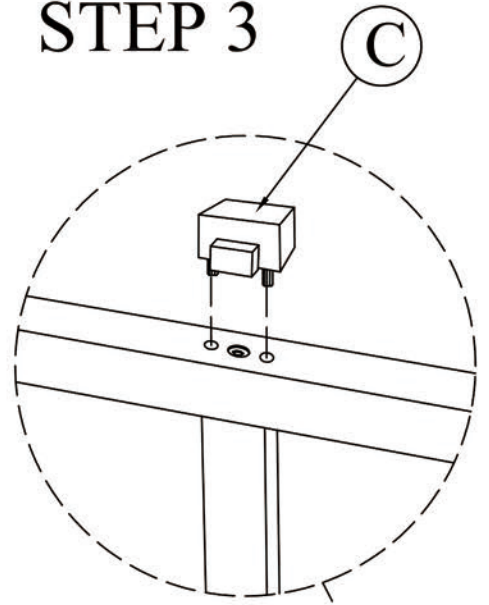
STEP 1

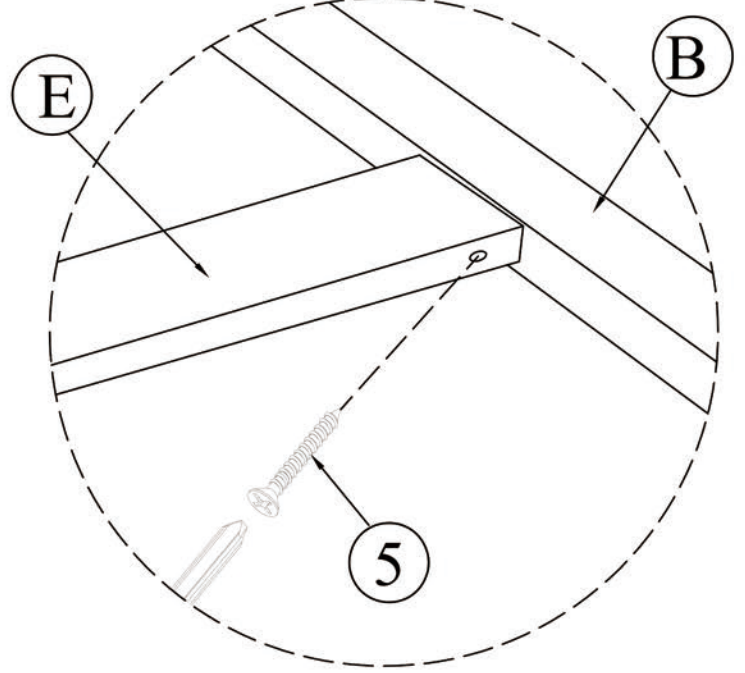
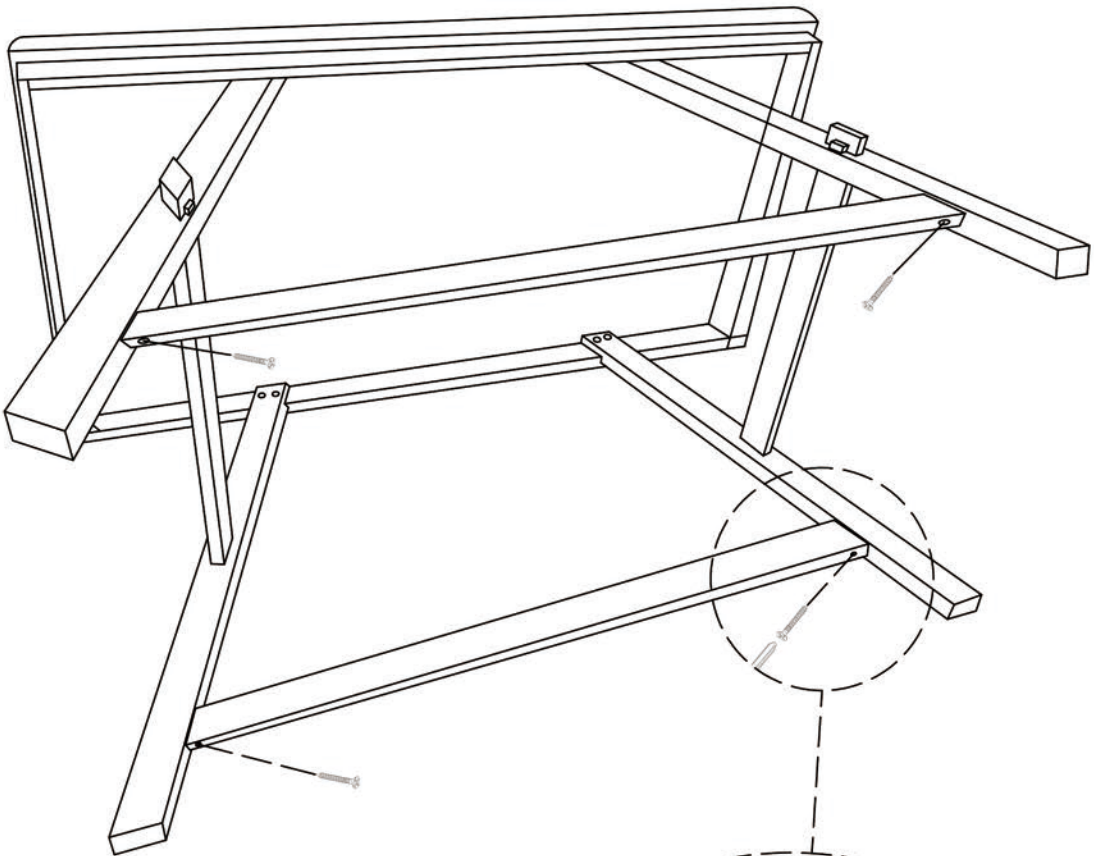


STEP 2



STEP 3





STEP 4