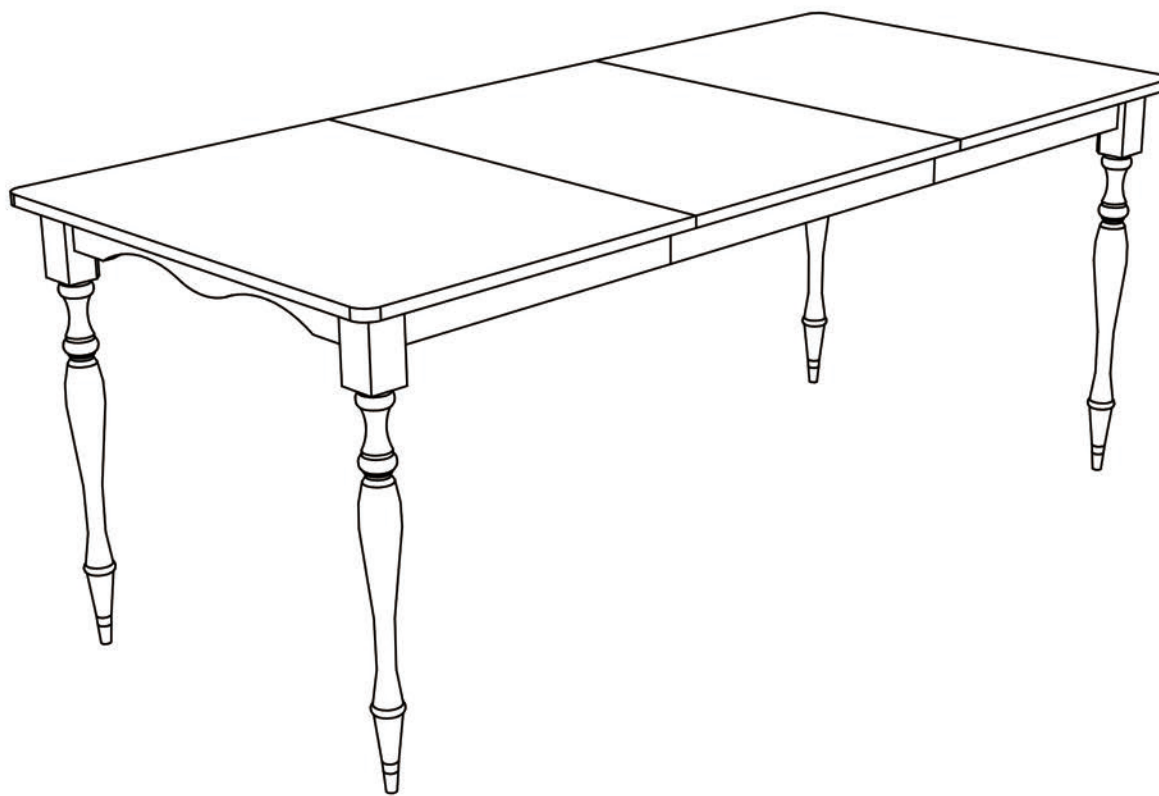


ASSEMBLY INSTRUCTION

N717P170406

x1



PARTS LIST - N717P170406

A



Quantity:
1 pc

B






Quantity:
1 pc

C



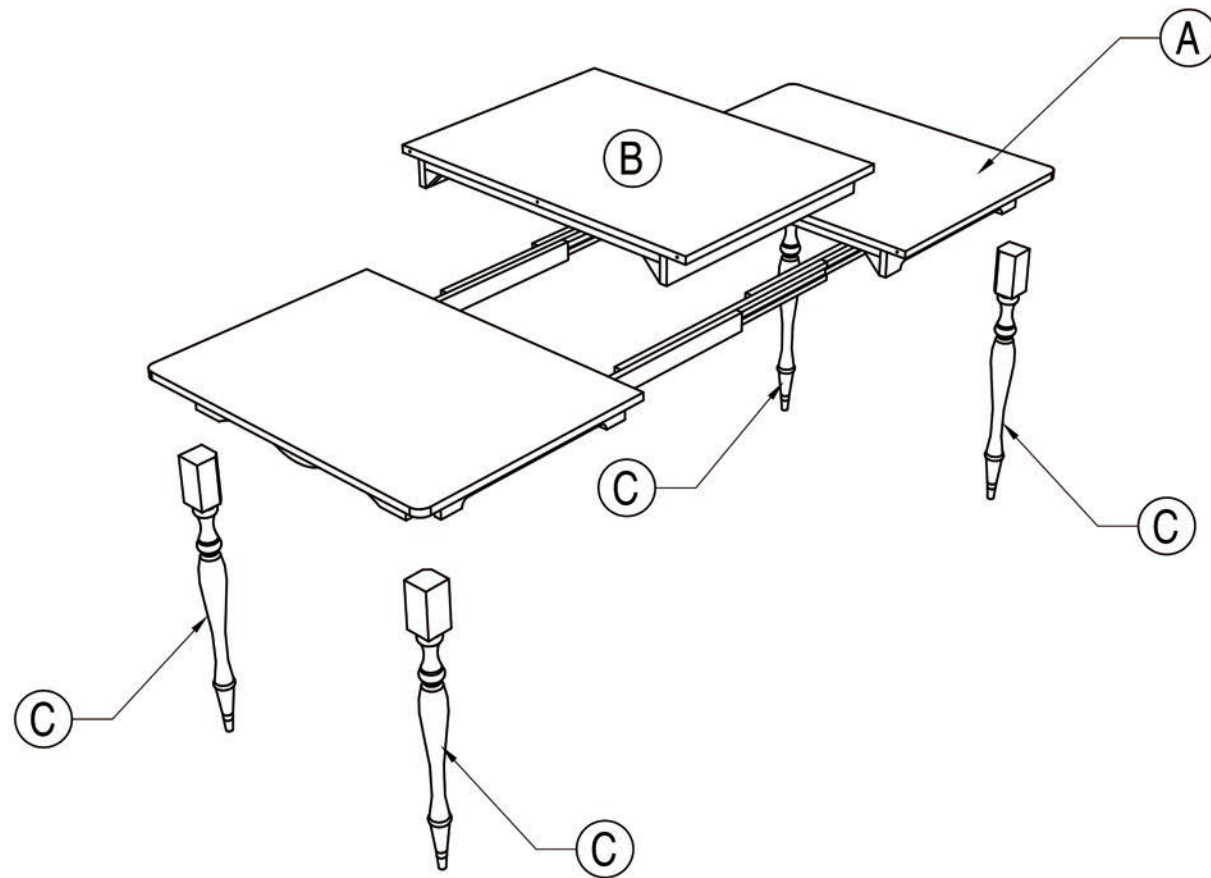
Quantity:
4 pcs

HARDWARE LIST - N717P170406

<p>①</p>  <p>Allen key Quantity: 1 pc</p>	<p>②</p>  <p>8x50mm Quantity: 8 pcs</p>	<p>③</p>  <p>8x19mm Quantity: 8pcs</p>
--	--	---

COMPONENTS - KEY DIAGRAM

N717P170406



STEP 1

①



1 pc

②

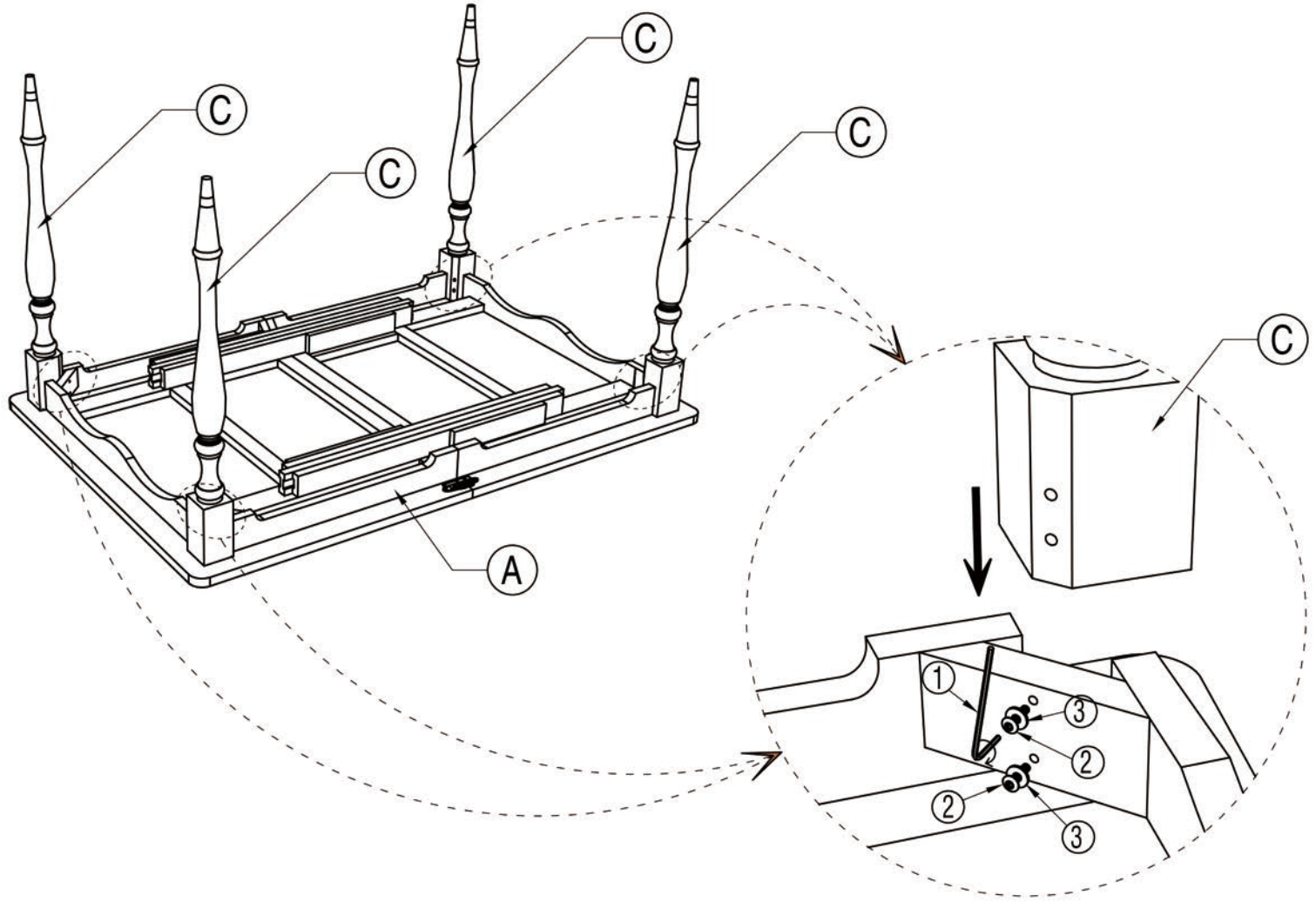


8x50mm
8 pcs

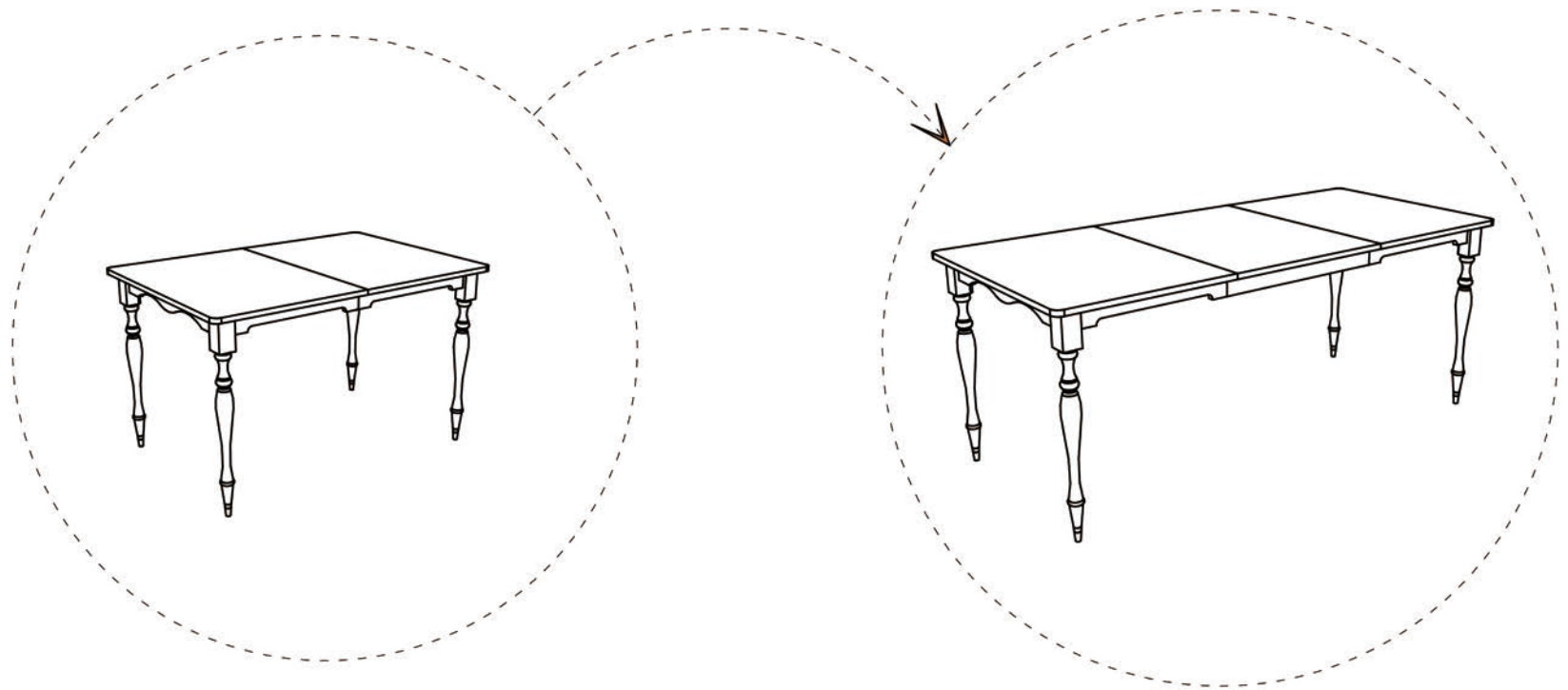
③



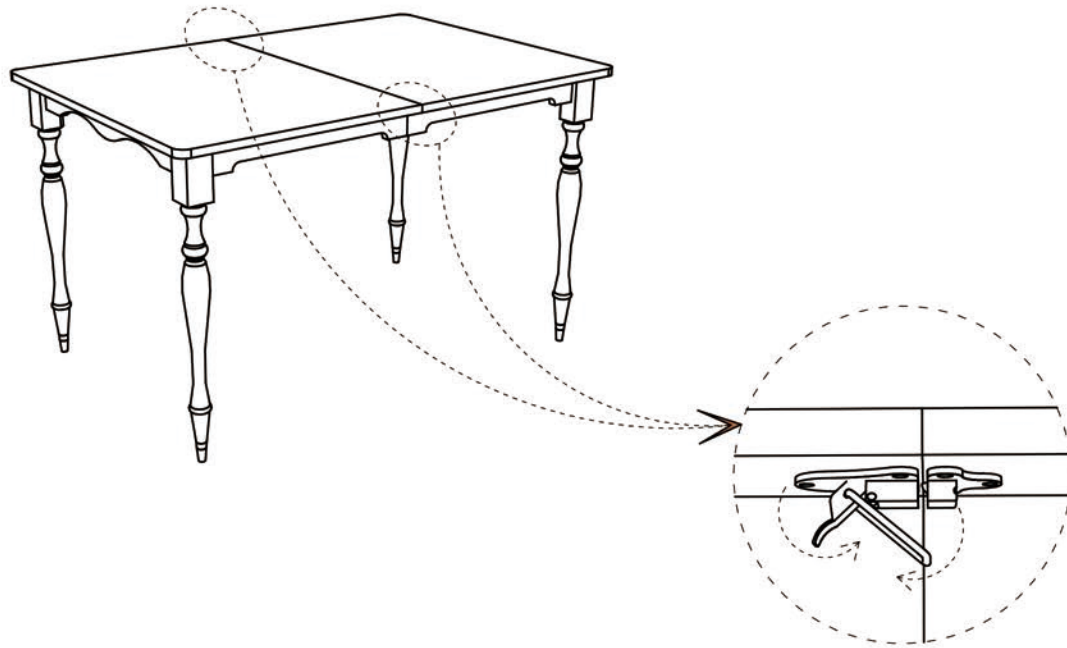
8x19mm
8 pcs



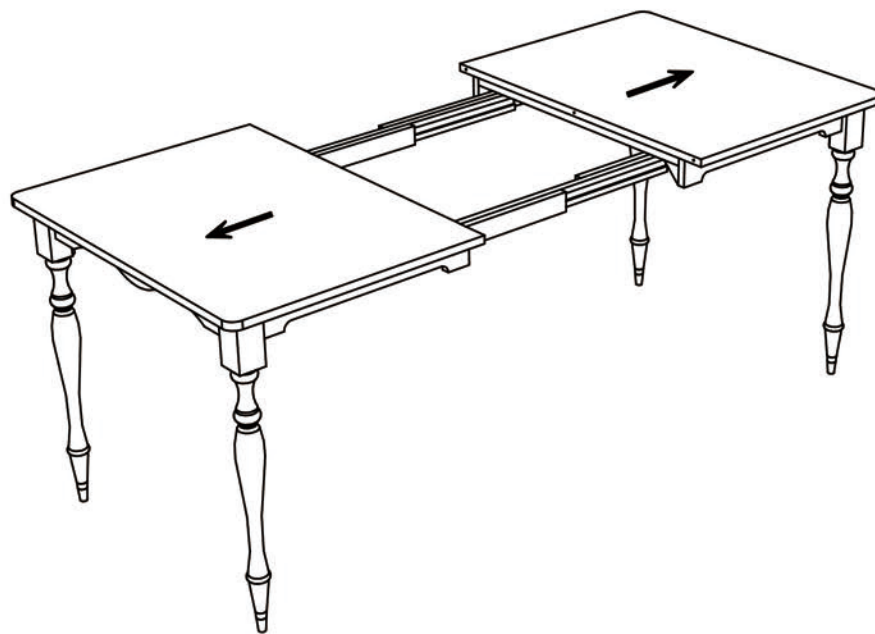
HOW TO EXTEND THE TABLE



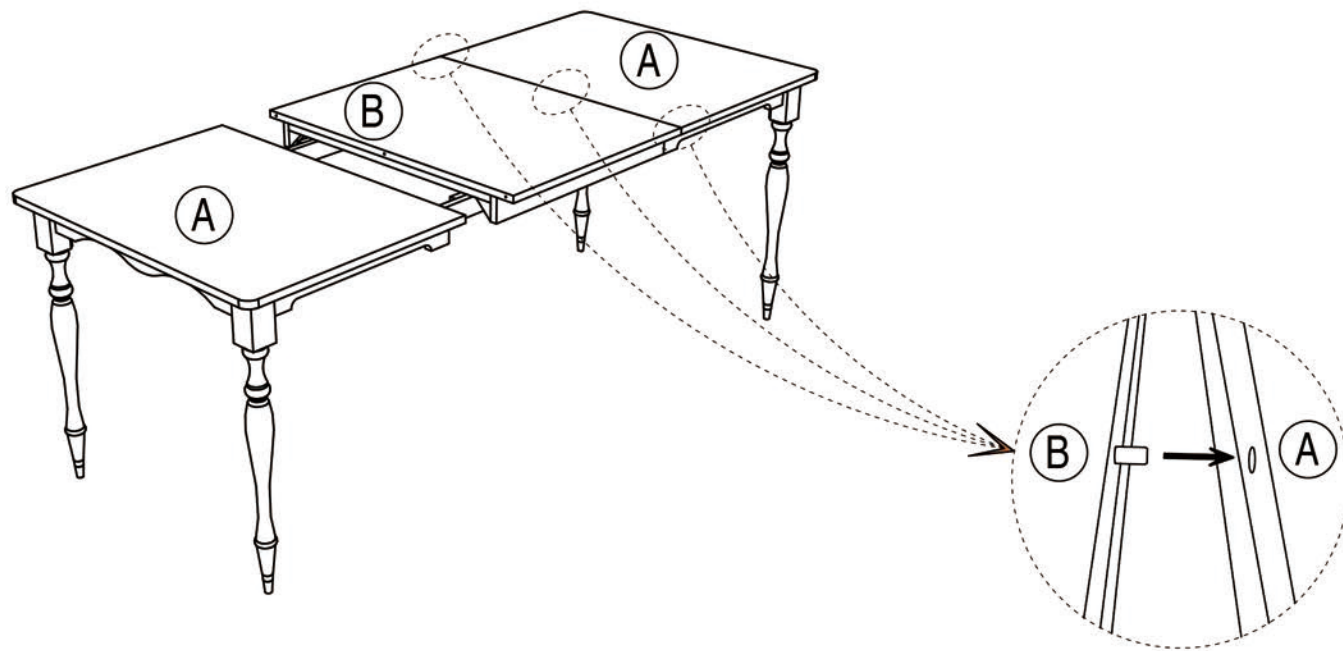
STEP 1



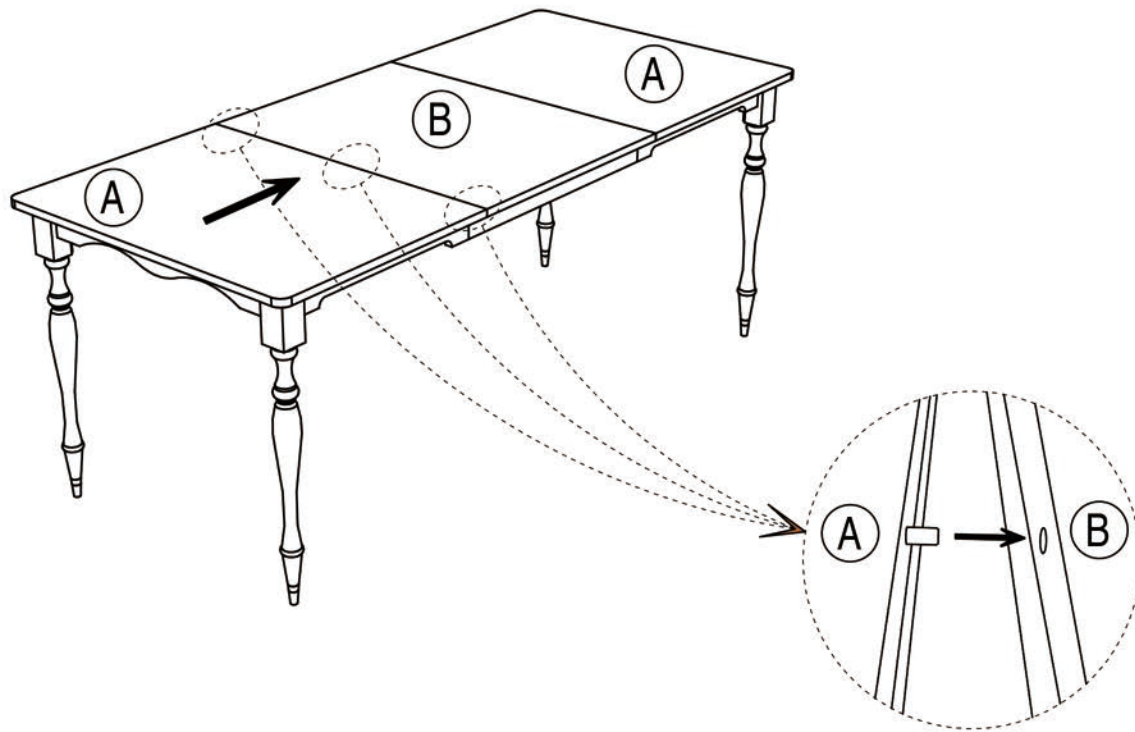
STEP 2



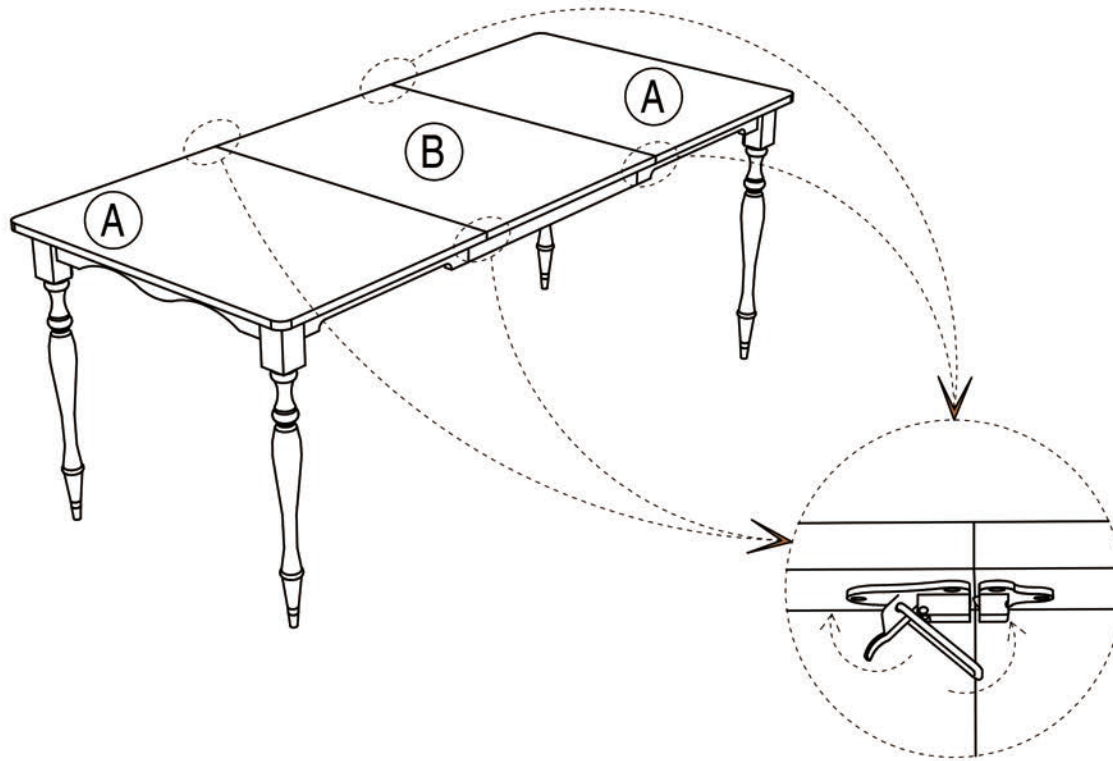
STEP 3



STEP 4



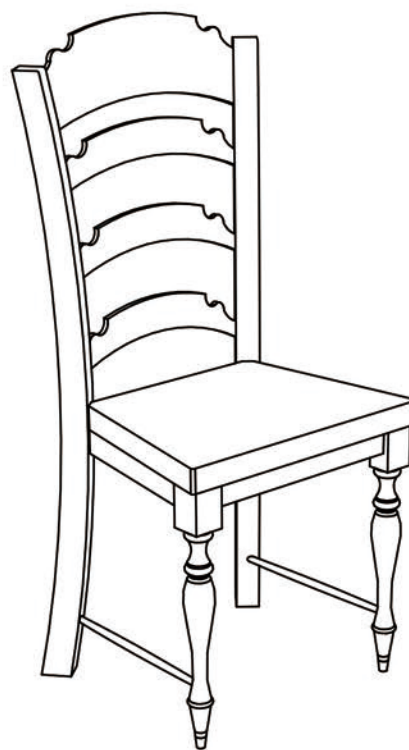
STEP 5



ASSEMBLY INSTRUCTION

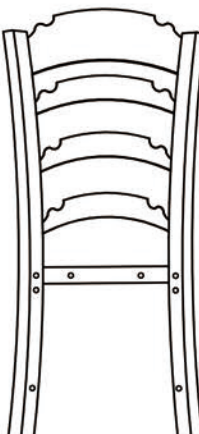
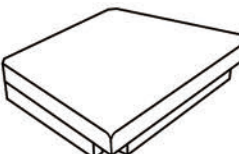



N717P170412

x4










PARTS LIST - N717P170412

Part List for One

<p>(A)</p>  <p>Quantity: 1 pc</p>	<p>(B)</p>  <p>Quantity: 1 pc</p>	<p>(C_L)</p>  <p>Quantity: 1 pc</p>	<p>(C_R)</p>  <p>Quantity: 1 pc</p>	<p>(D)</p>  <p>Quantity: 2 pcs</p>
--	--	---	--	---

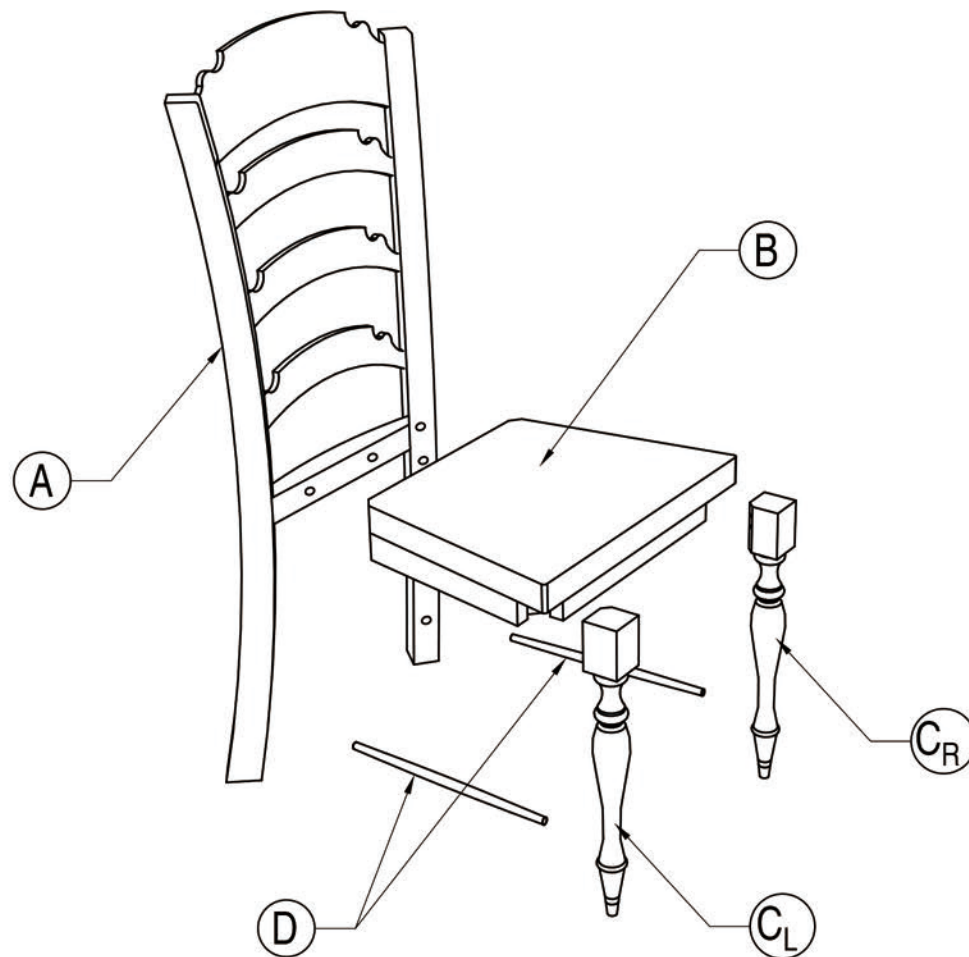
HARDWARE LIST - N717P170412

Hardware List for One

①	②	③	④	⑤	⑥	⑦
						
<p>Allen key Quantity: 1 pc</p>	<p>6x35mm Quantity: 2 pcs</p>	<p>6x50mm Quantity: 4 pcs</p>	<p>6x70mm Quantity: 4 pcs</p>	<p>6x16mm Quantity: 10 pcs</p>	<p>5x30mm Quantity: 4 pcs</p>	<p>Screwdrivers Quantity: 1 pc</p>

COMPONENTS - KEY DIAGRAM

N717P170412



STEP 1

1



1 pc

2



6x35mm
2 pcs

4



6x70mm
4 pcs

5



6x16mm
6 pcs

6

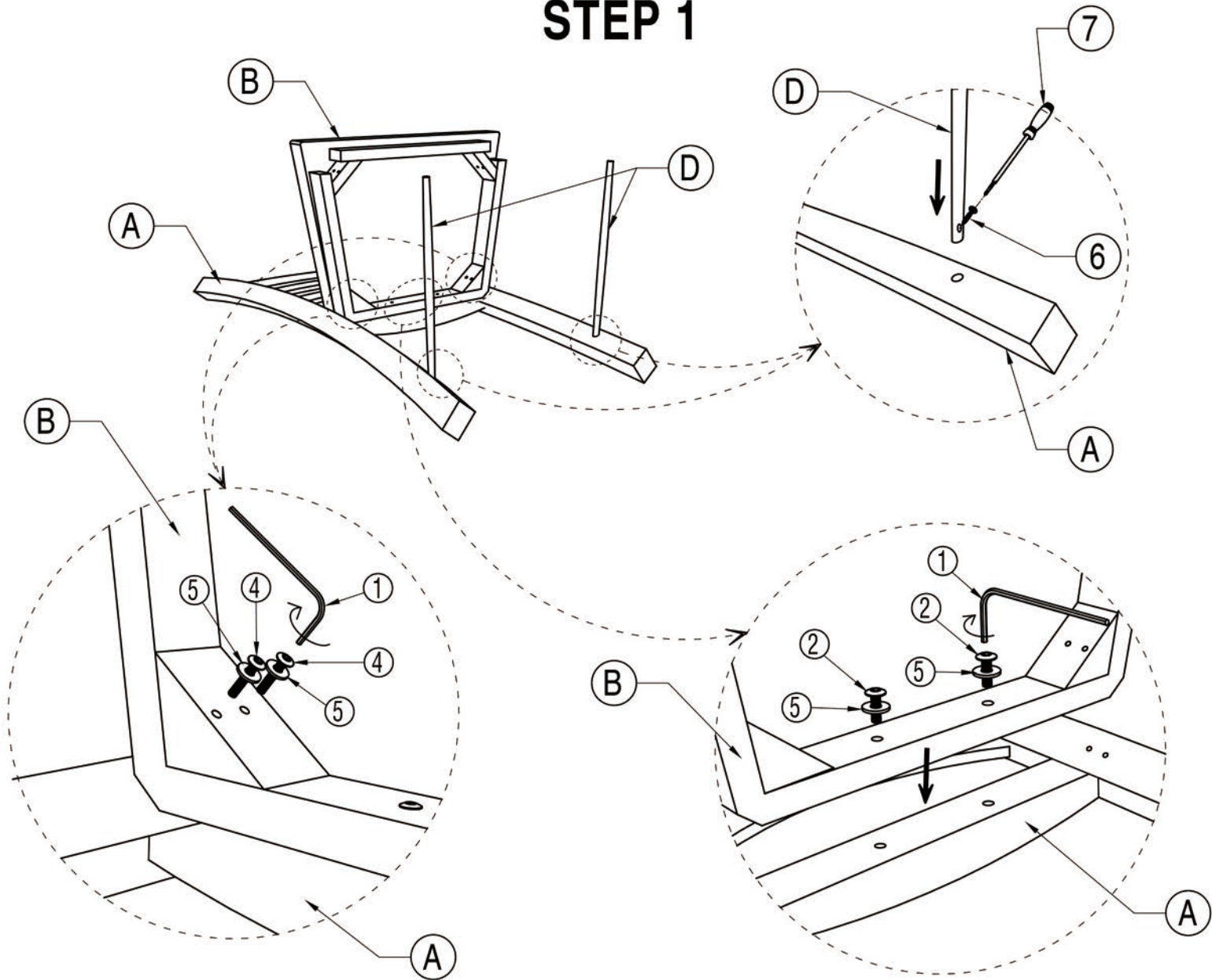


5x30mm
2 pcs

7



1 pc



STEP 2

1



1 pc

3



6x50mm
4 pcs

5



6x16mm
4 pcs

6

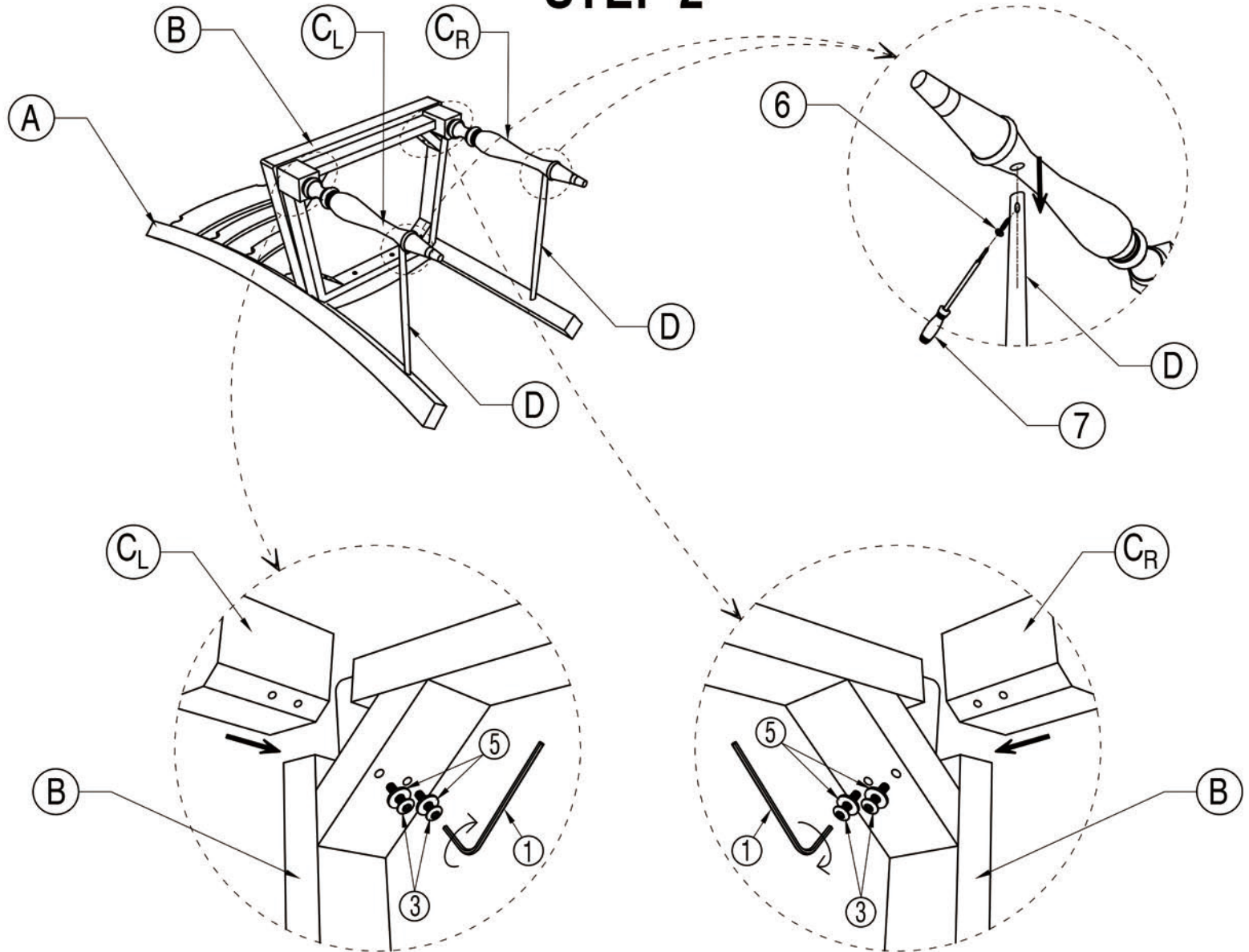


5x30mm
2 pcs

7



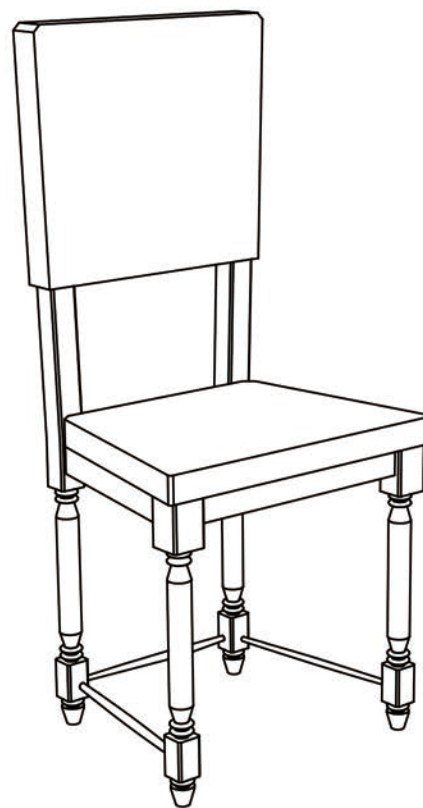
1 pc



ASSEMBLY INSTRUCTION

N717P170411

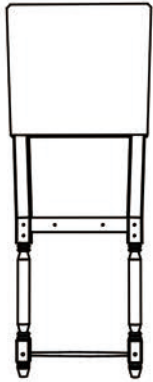
x2



PARTS LIST - N717P170411

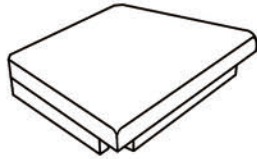
Part List for One

(A)



Quantity:
1 pc

(B)



Quantity:
1 pc

(C_L)



Quantity:
1 pc

(C_R)



Quantity:
1 pc








(D)



Quantity:
2 pcs

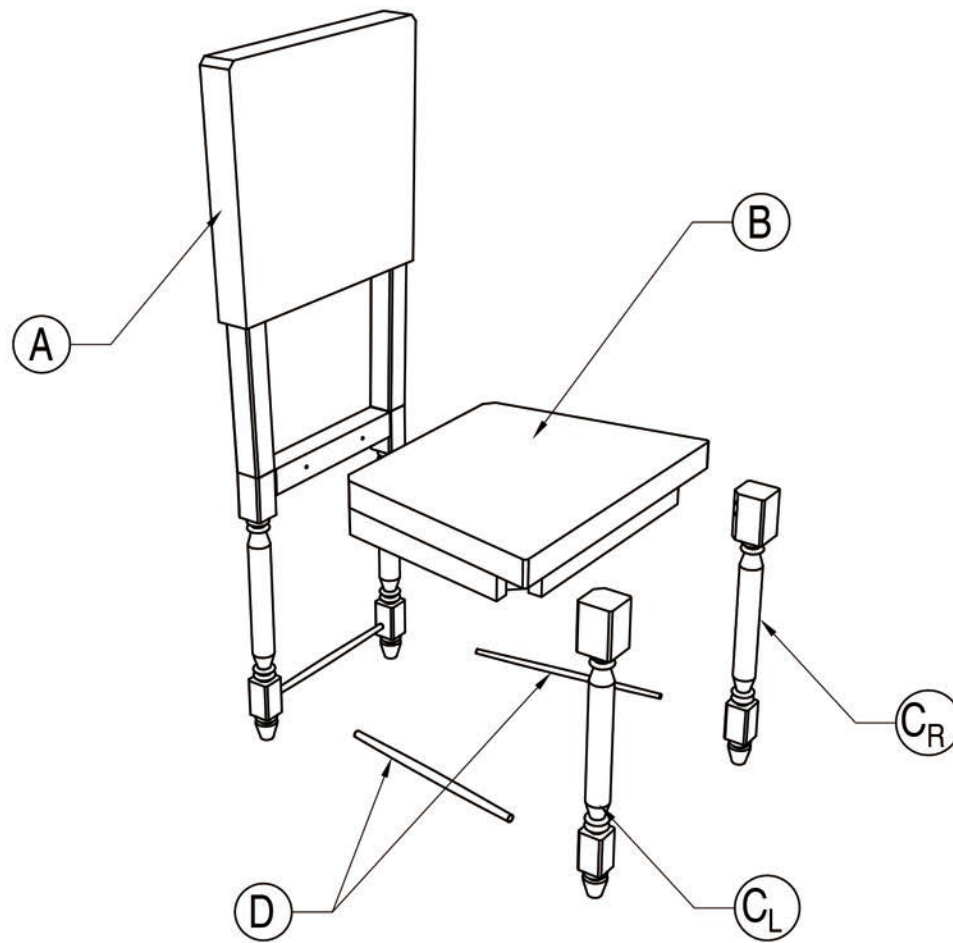
HARDWARE LIST - N717P170411

Hardware List for One

①	②	③	④	⑤	⑥	⑦
						
<p>Allen key Quantity: 1 pc</p>	<p>6x35mm Quantity: 2 pcs</p>	<p>6x50mm Quantity: 4 pcs</p>	<p>6x70mm Quantity: 4 pcs</p>	<p>6x16mm Quantity: 10 pcs</p>	<p>5x30mm Quantity: 4 pcs</p>	<p>Screwdrivers Quantity: 1 pc</p>

COMPONENTS - KEY DIAGRAM

N717P170411



STEP 1

1



1 pc

2



6x35mm
2 pcs

4



6x70mm
4 pcs

5



6x16mm
6 pcs

6

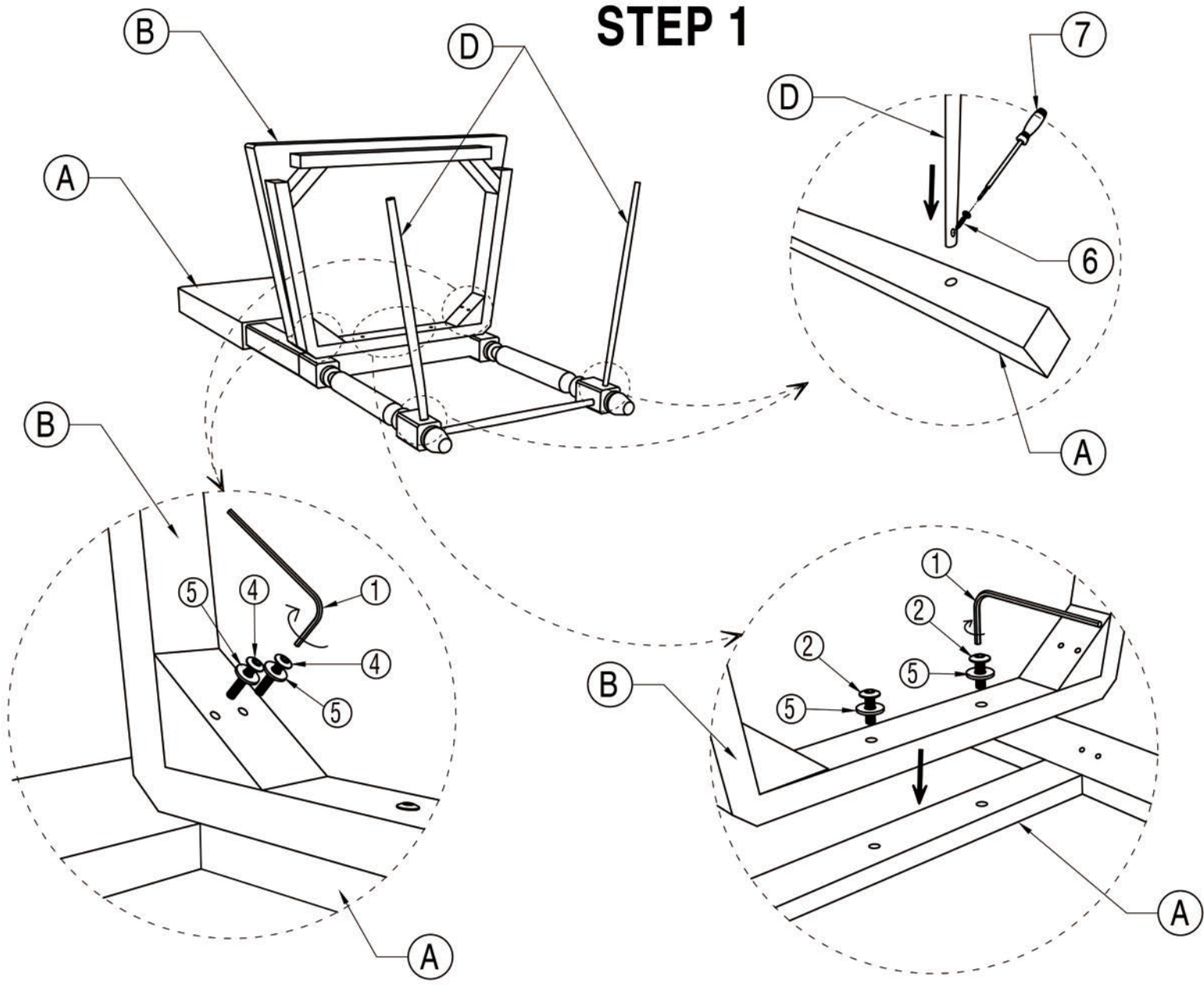


5x30mm
2 pcs

7



1 pc



STEP 2

1



1 pc

3



6x50mm
4 pcs

5



6x16mm
4 pcs

6



5x30mm
2 pcs

7



1 pc

