

ASSEMBLY INSTRUCTIONS

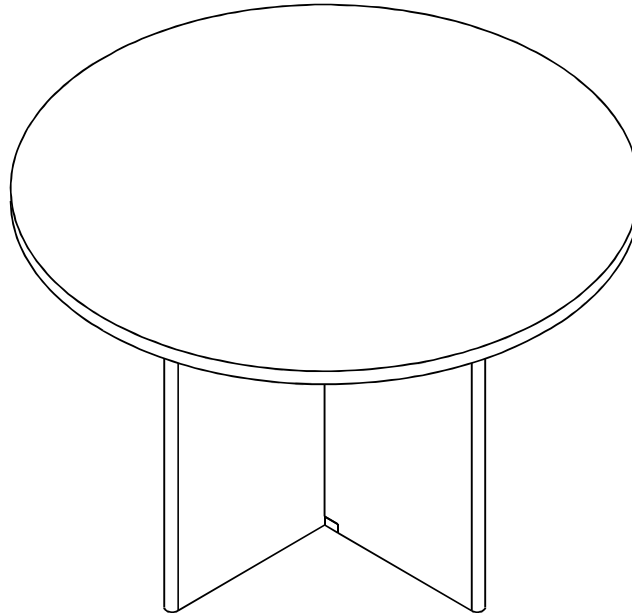
WF320594 - DINING TABLE

IMPORTANT NOTE :

** PLACE ALL PARTS ON A CLEAN AND SMOOTH SURFACE SUCH AS A RUG OR CARPET TO AVOID THE PARTS FROM BEING SCRATCHED.

** BEFORE YOU BEGIN, KINDLY FOLLOW THE ASSEMBLY INSTRUCTIONS STEP BY STEP.

**DO NOT TIGHTEN ALL SCREWS AND BOLTS UNTIL THE DINING TABLE IS FULLY SET-UP.



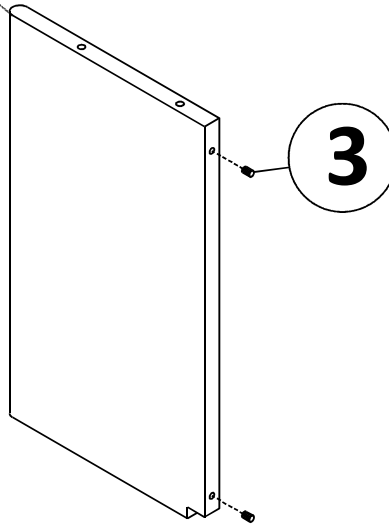
CARTONS ONLY ONE/ CARTONS SEULEMENT UN

PART LISTS				HARDWARE LISTS			
NO.	DESCRIPTION	SKETCH	Q'TY	NO.	DESCRIPTION	SKETCH	Q'TY
A	TABLE TOP		1PC	1	ALLEN KEY		1PC
B	LEG		2PCS	2	BOLT(M8X35mm)		18PCS
C	LEG CENTER		1PC	3	POSITIONING PIN		4PCS
D	TABLE TOP CONNECTION BAR CENTER		1PC	4	SUPPORT BOTTOM PANEL		1PC

STEP 1:

B

X2

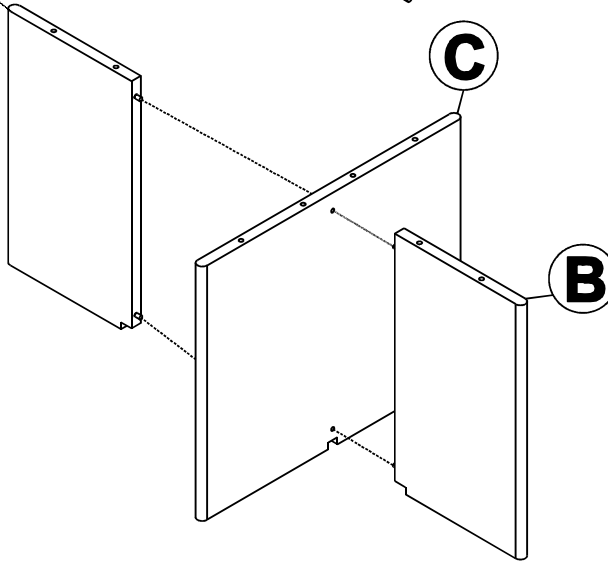


STEP 2:

B

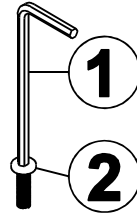
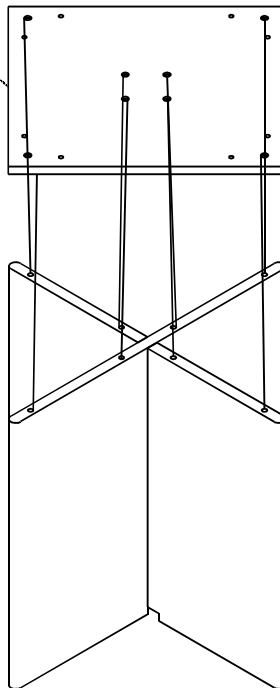
C

B



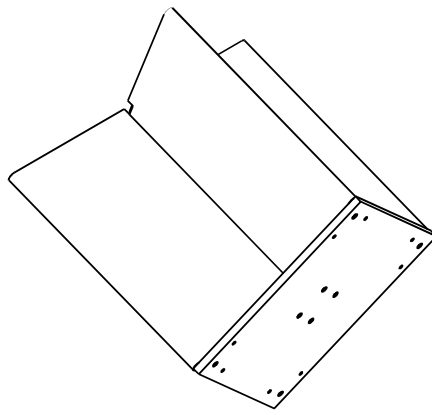
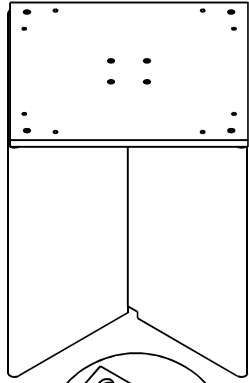
STEP 3:

D

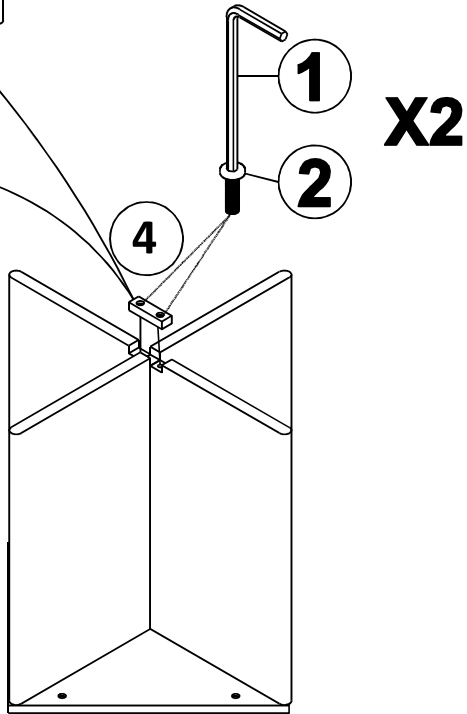
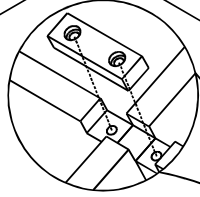


X8

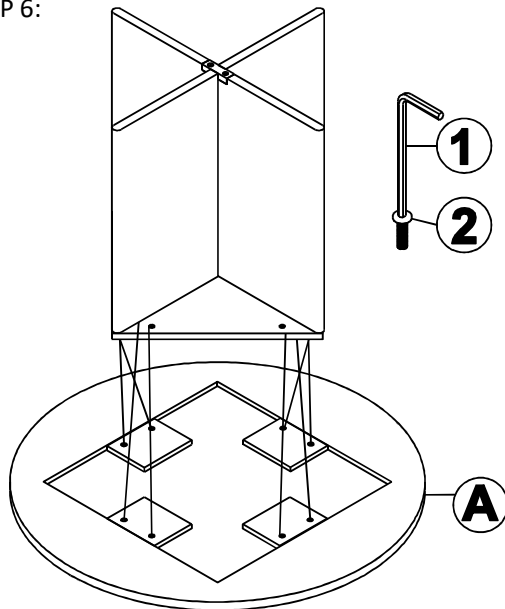
STEP 4:



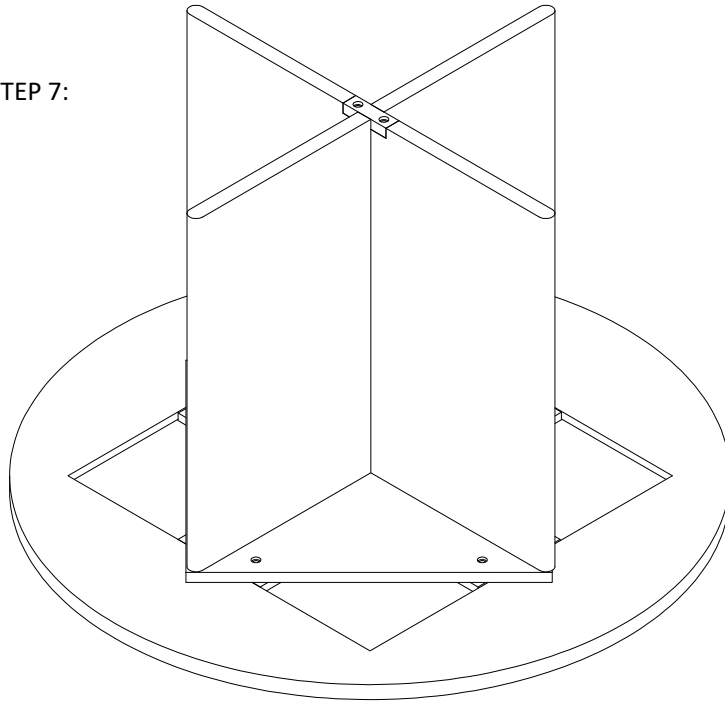
STEP 5



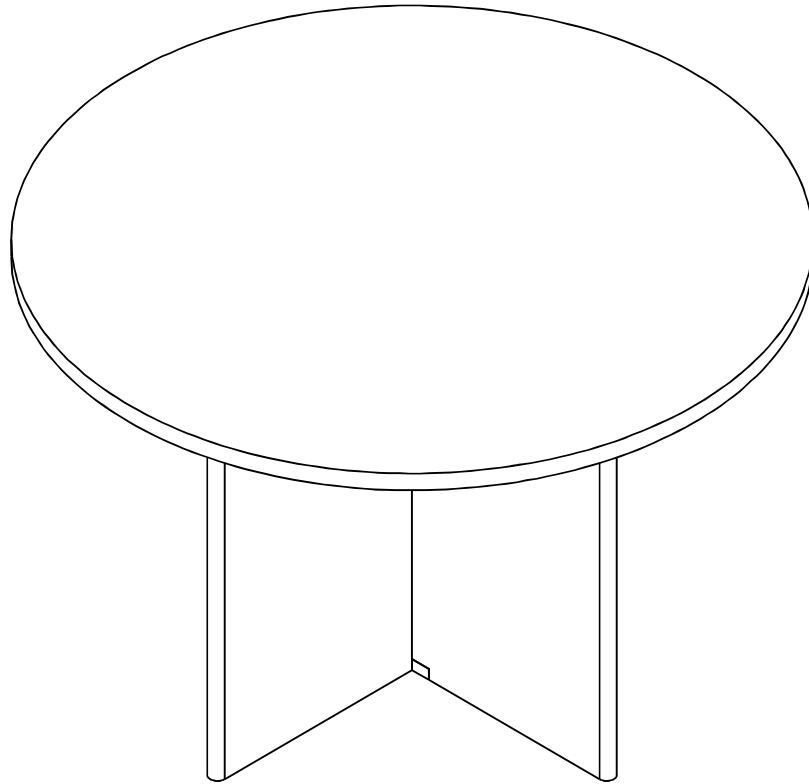
STEP 6:



STEP 7:



STEP 8:



ASSEMBLY INSTRUCTIONS

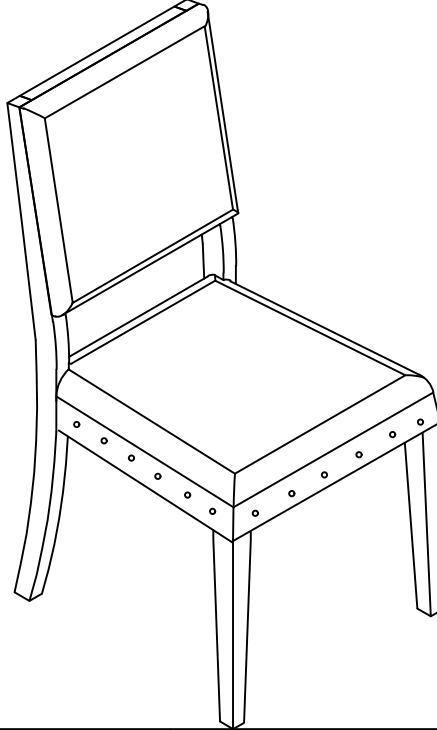
WF320595 - DINING CHAIRS

IMPORTANT NOTE

**PLACE ALL PARTS ON A CLEAN AND SMOOTH SURFACE SUCH AS A RUG OR CARPET TO AVOID THE PARTS FROM BEING SCARATCHED

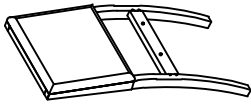


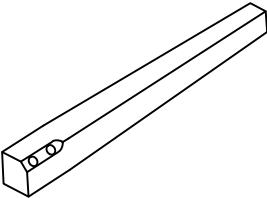


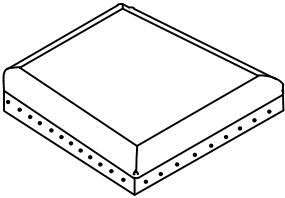
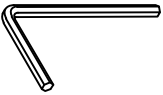
**BEFORE YOU BEGIN, KINDLY FOLLOW THE ASSEMBLY INSTRUCTIONS STEP BY STEP

**DO NOT TIGHTEN ALL SCREWS AND BOLTS UNTIL THE DINING CHAIR IS FULLY SET-UP



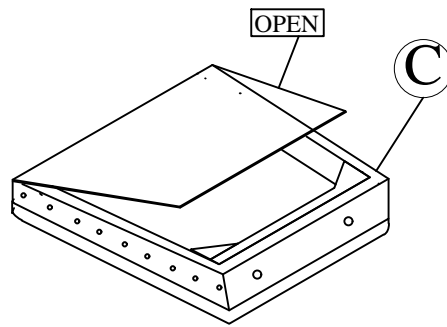
PART LISTS FOR ONE

HARDWARE LISTS FOR ONE

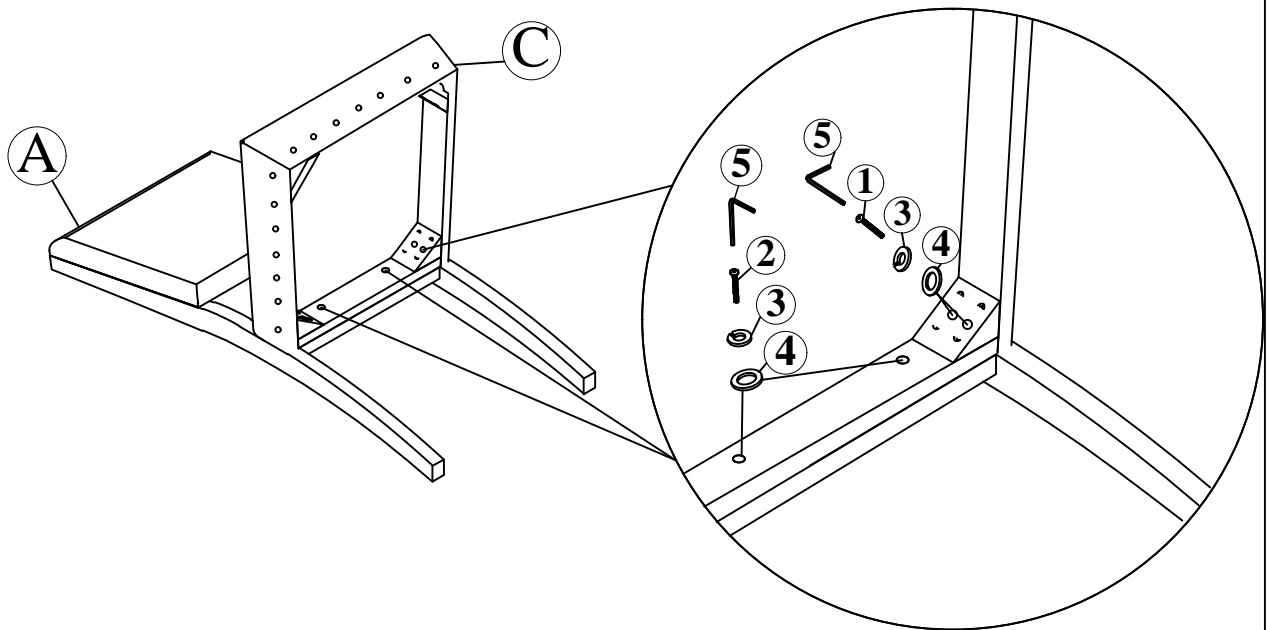
NO.	DESCRIPTION	SKETCH	Q'TY	NO.	DESCRIPTION	SKETCH	Q'TY
A	CHAIR BACK		1PC	1	BOLT (M6X60)		8PCS
				2	BOLT (M6X35)		2PCS
B	FRONT LEGS		2PCS	3	SPRING WASHER (6.5/11MM)		10PCS
				4	FLAT WASHER (6.5/19MM)		10PCS
C	SEAT FRAME		1PC	5	ALLEN KEY		1PC

ASSEMBLY INSTRUCTIONS

STEP 1:

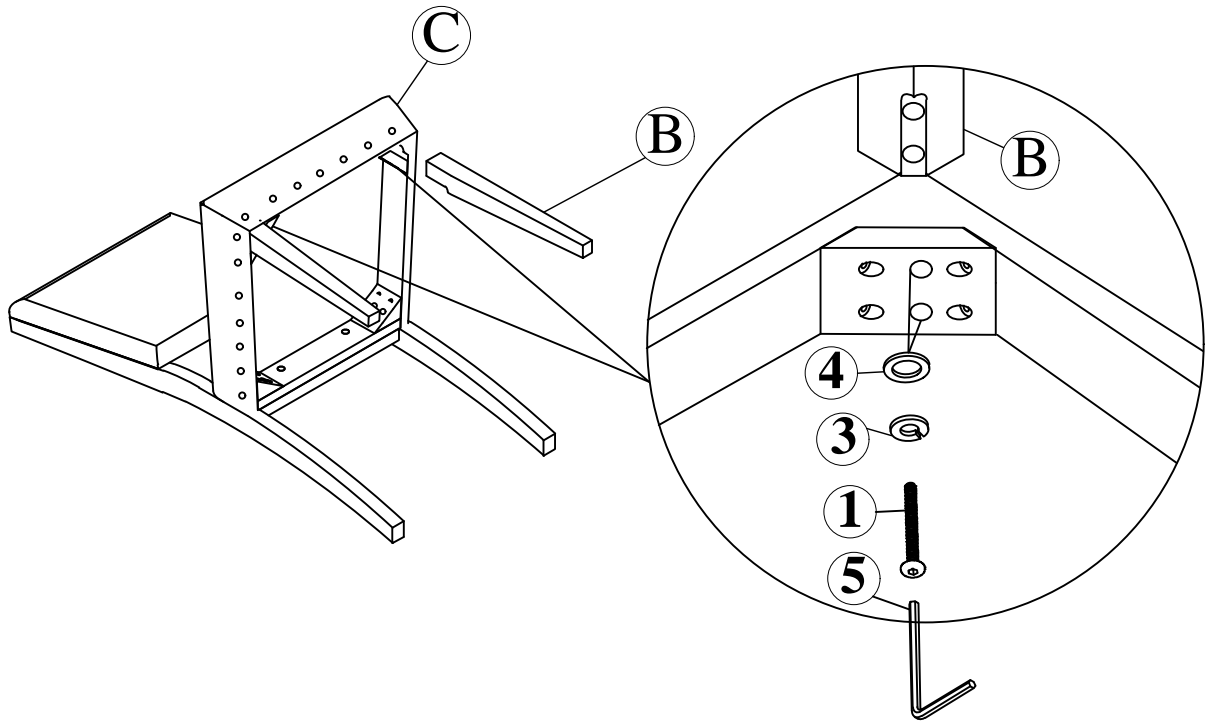


STEP 2:



ASSEMBLY INSTRUCTIONS

STEP 3:



STEP 4:

