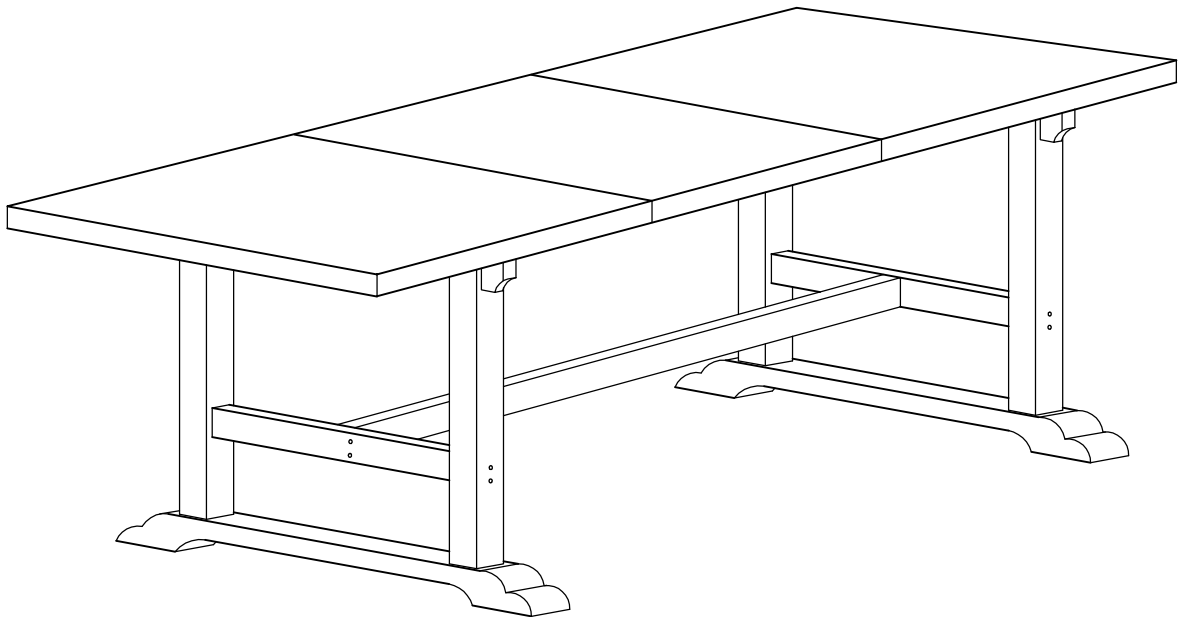


ASSEMBLY INSTRUCTIONS

WF322202

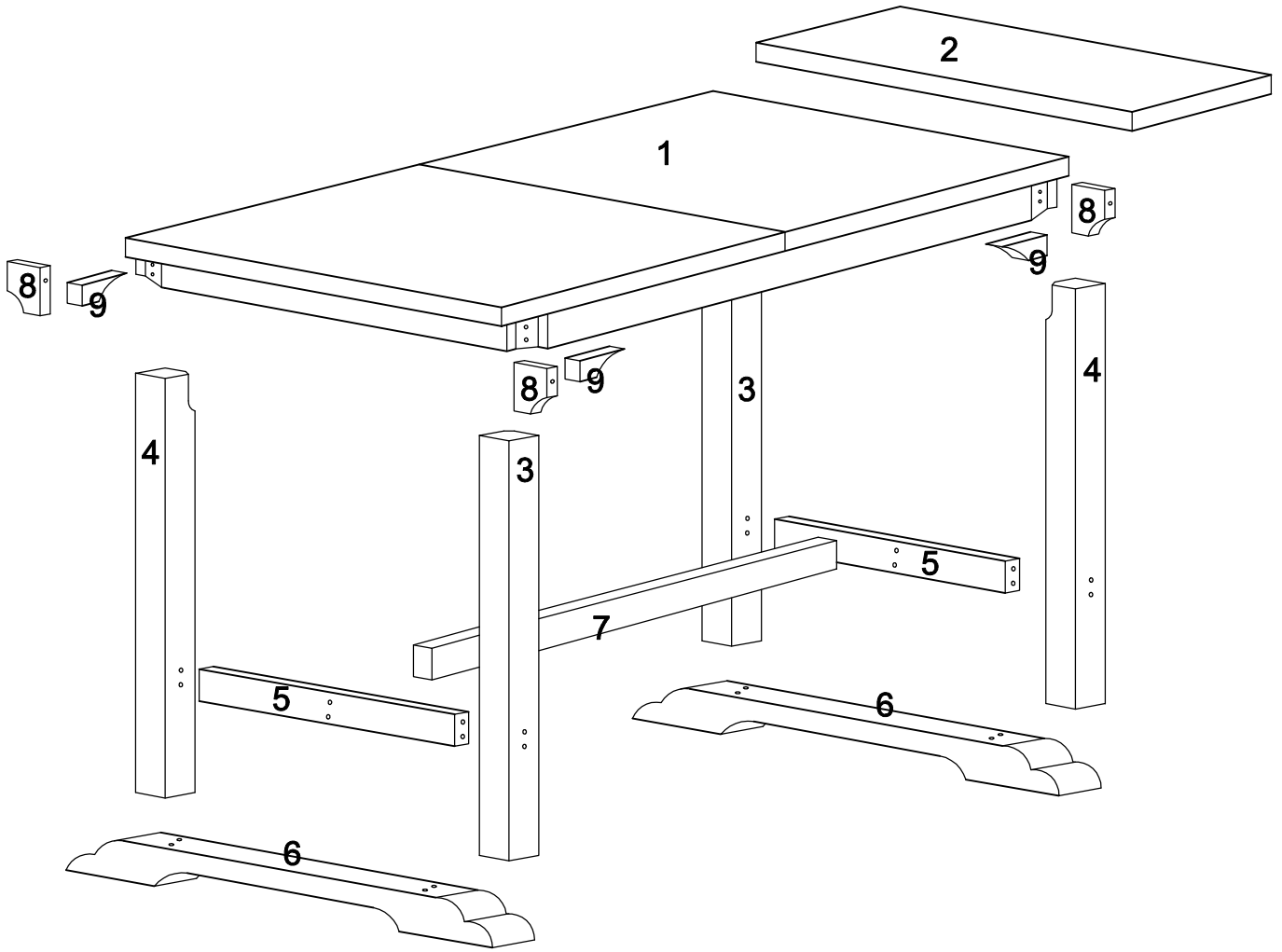
IMPORTANT NOTES :

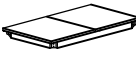

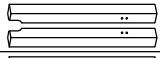
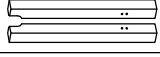
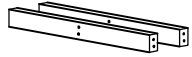


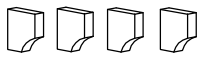
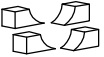
1. PLACE ALL PARTS ON A CLEAN AND SMOOTH SURFACE SUCH AS A RUG PR CARPET TO AVOID THE PARTS FROM BEING SCRATCHED.
2. BEFORE YOU BEGIN, KINDLY FOLLOW THE ASSEMBLY INSTRUCTION STEP BY STEP.




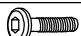

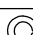





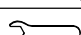
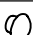


ASSEMBLY INSTRUCTIONS

WF322202

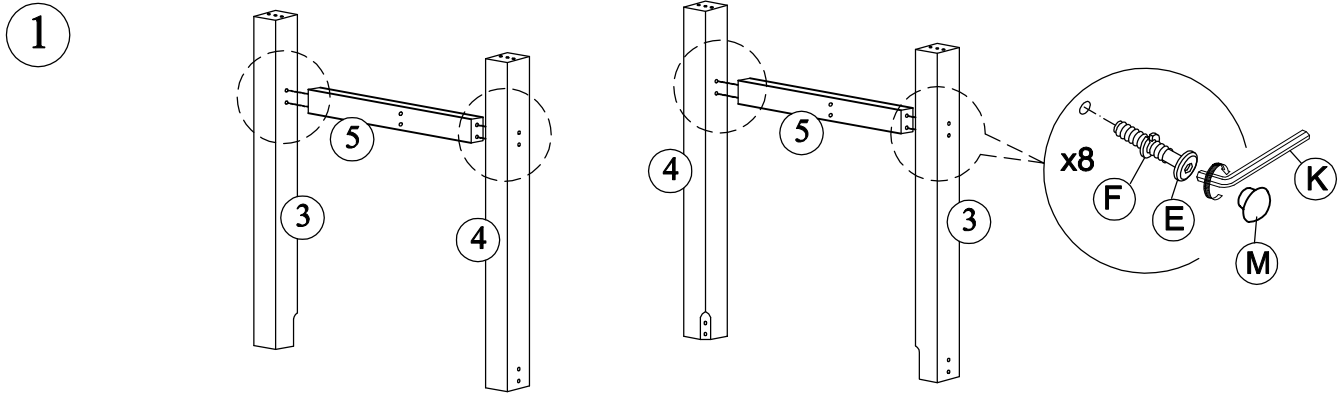


PARTS LIST		
NO.	COMPONENT	QTY.
1	Table Top 	1 pc
2	Center Top 	1 pc
3	Table Leg - Left 	2 pcs
4	Table Leg - Right 	2 pcs
5	Stretcher 	2 pcs
6	Bottom Leg 	2 pcs
7	Cross Bar 	1 pc
8	Side Leg Support 	4 pcs
9	Apron Support 	4 pcs

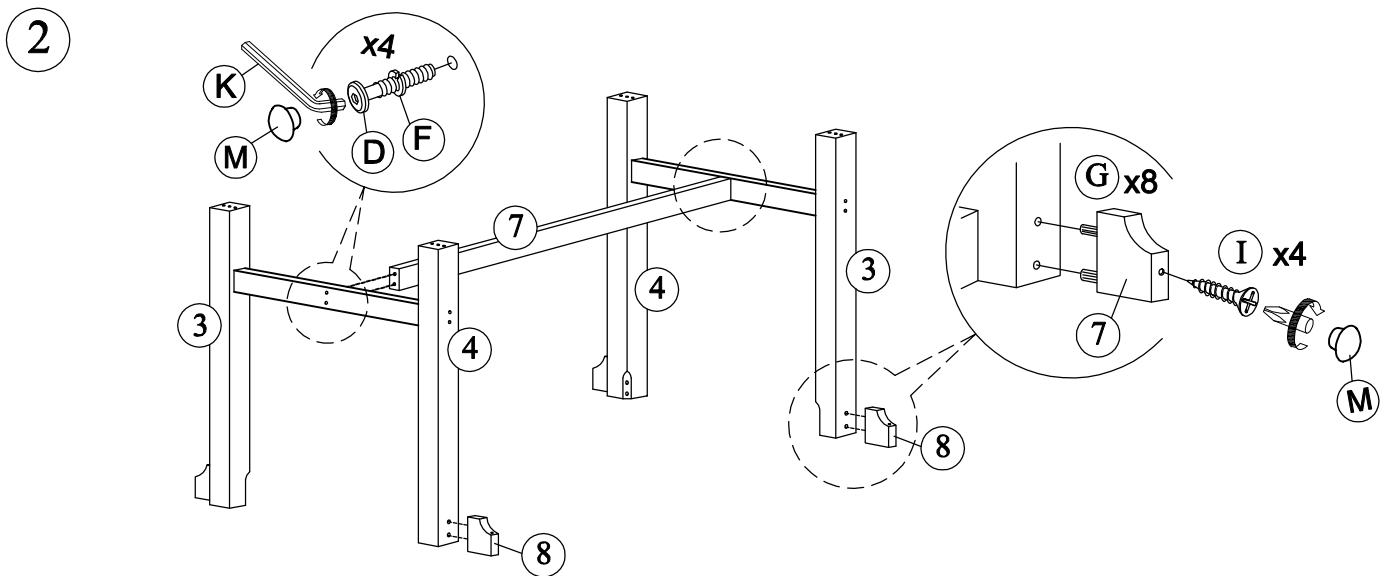
HARDWARE LIST		
NO.	COMPONENT	QTY.
A	Hex Bolt 5/16" x 2 1/2" 	8 pcs
B	5/16" Spring Washer 	8 pcs
C	5/16" Flat Washer 	8 pcs
D	JCBC Bolt M6 x 40mm 	4 pcs
E	JCBC Bolt M6 x 80mm 	16 pcs
F	1/4" Spring Washer 	20 pcs
G	Wood Dowel M8 x 35mm 	8 pcs
H	Wood Dowel M10 x 35mm 	4 pcs
I	CB Screw M4 x 50mm 	8 pcs
J	Adjuster M6 x 25mm 	4 pcs
K	Allen Key M4 x 110mm 	1 pc
L	12.8mm Wrench 	1 pc
M	Wood Button Ø14.5mm 	16 pcs

ASSEMBLY INSTRUCTIONS

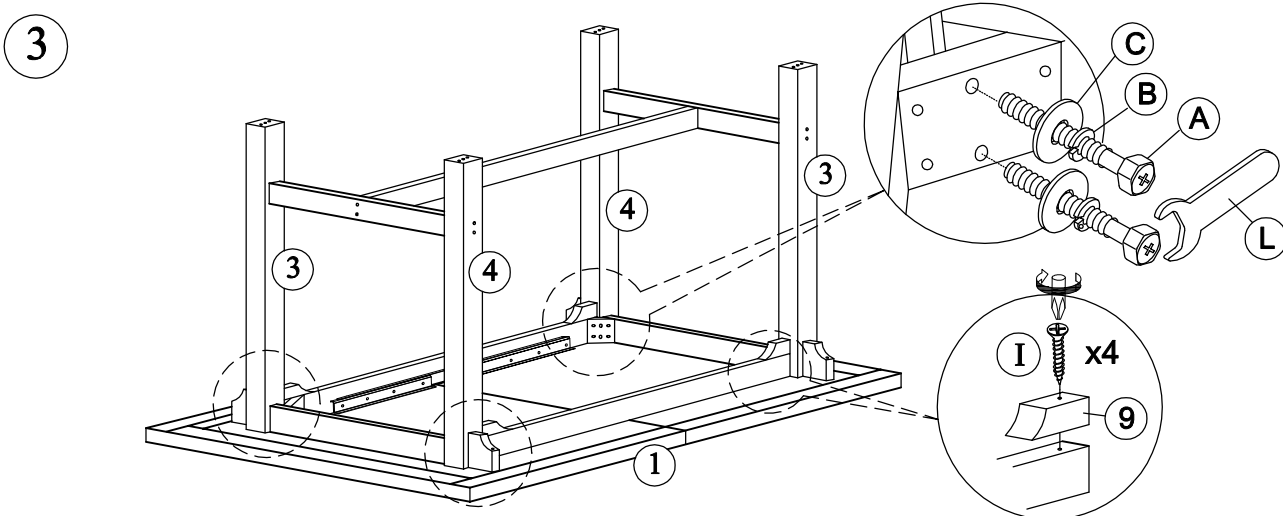
WF322202



1. Attach Stretcher (5) onto the Table Leg - Left & Right (3,4). Insert JCBC Bolt (E), Spring Washer (F), using Allen Key (K) and insert Wood Button (M).



1. Attach Cross Bar (7) onto the Table Leg-Left & Right (3,4). Insert JCBC Bolt (D), Spring Washer (F), using Allen Key (K) and insert Wood Button(M).
2. Insert Wood Dowel (G) onto the Side Leg Support (8) for each hole.
3. Attach Side Leg Support (8) onto the Table Leg-Left & Right (3,4), using Screw (I) tighten all the hole and insert Wood Button (M)

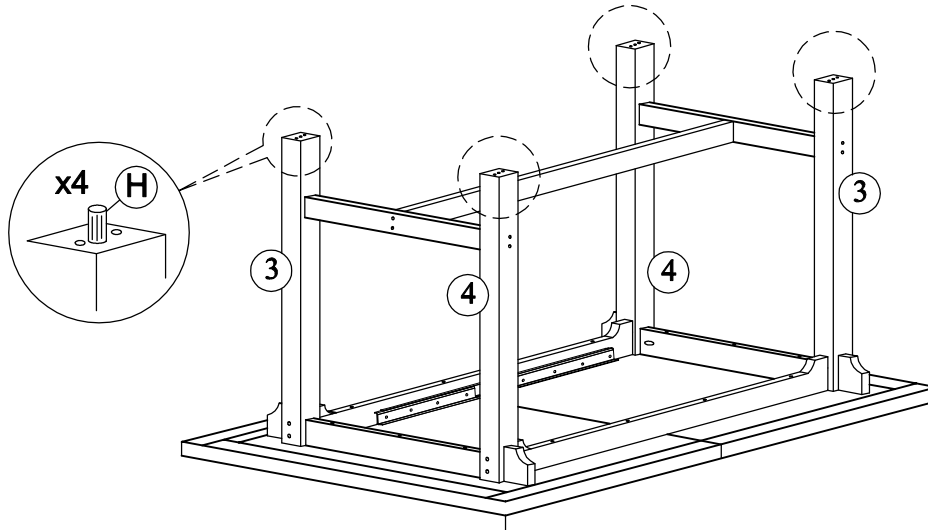


1. Attach Table Leg-Left & Right (3,4) onto the Table Top (1) , Insert Hex Com Bolt (A) , Spring Washer (B) and Flat Washer (C) , using Wrench (L).
2. Attach Apron Support (9) onto the Apron , using Screw (I) tighten all the hole.

ASSEMBLY INSTRUCTIONS

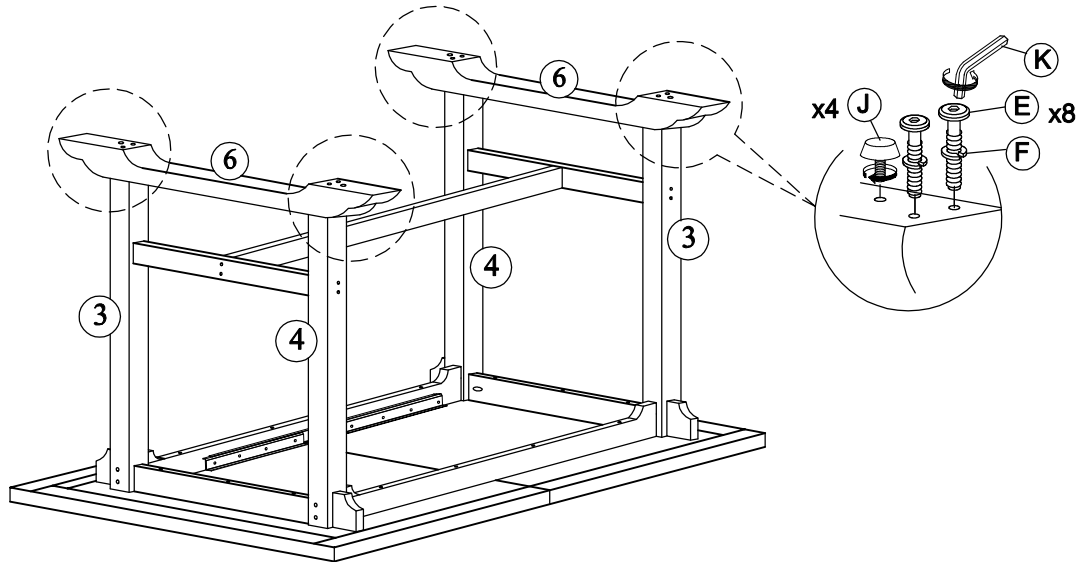
WF322202

4



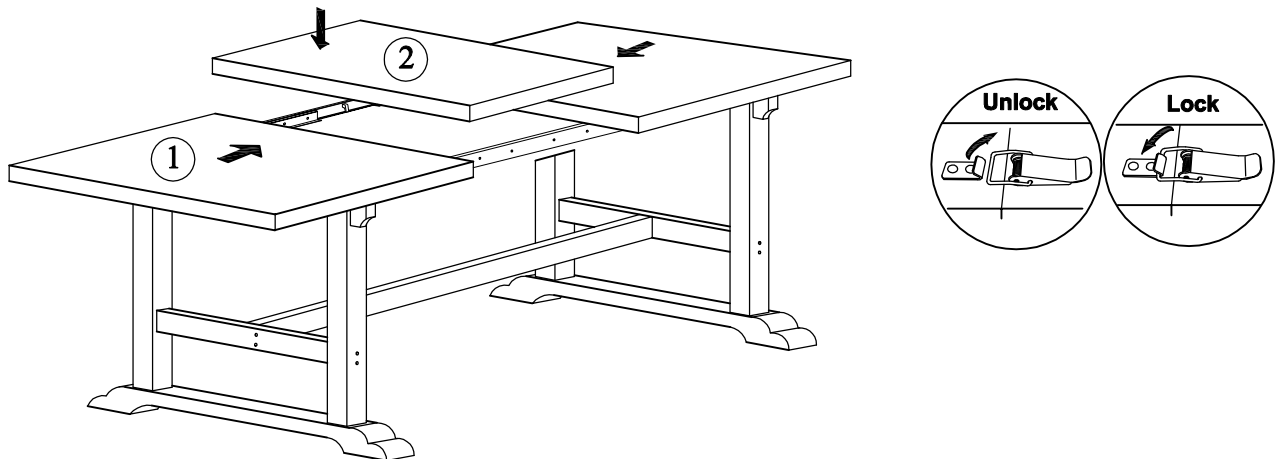
1. Insert Wood Dowel (H) onto the Table Leg- Left & Right (3,4) for each hole.

5



1. Attach Bottom Leg (6) onto the Table Leg - Left & Right (3,4) , Insert JCBC Bolt (E), Spring Washer (F), using Allen Key (K).
2. Tighten all the bolts and screw completely assembled.
3. Insert Adjuster (J) onto the Bottom Leg (6).

6



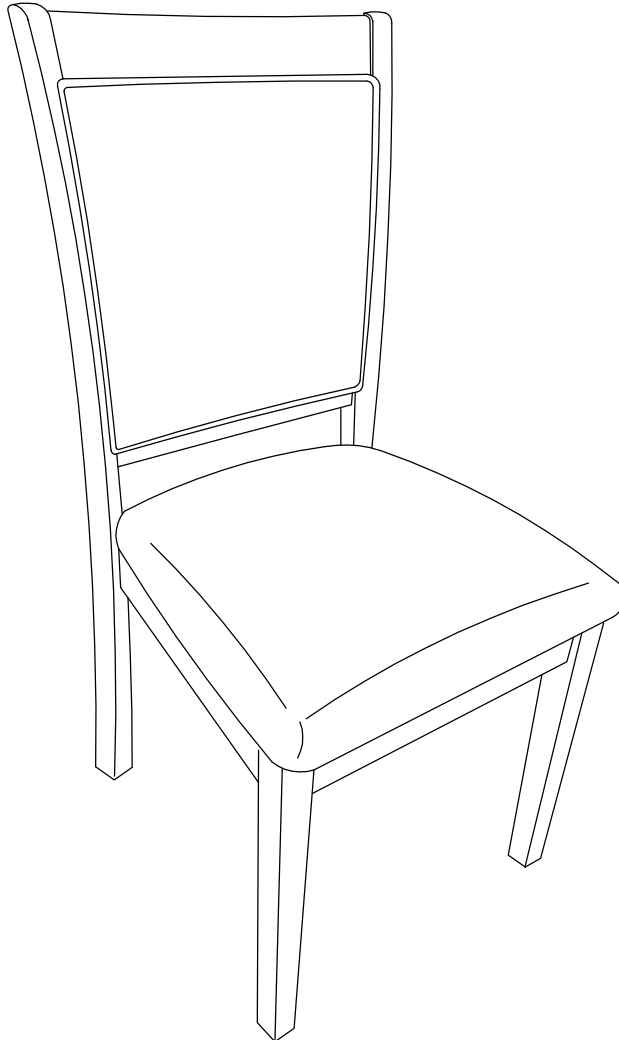
1. Pull out Table Top (1) , afterthat put on Center Top (2) onto the Table Top (1).

ASSEMBLY INSTRUCTIONS

WF302970

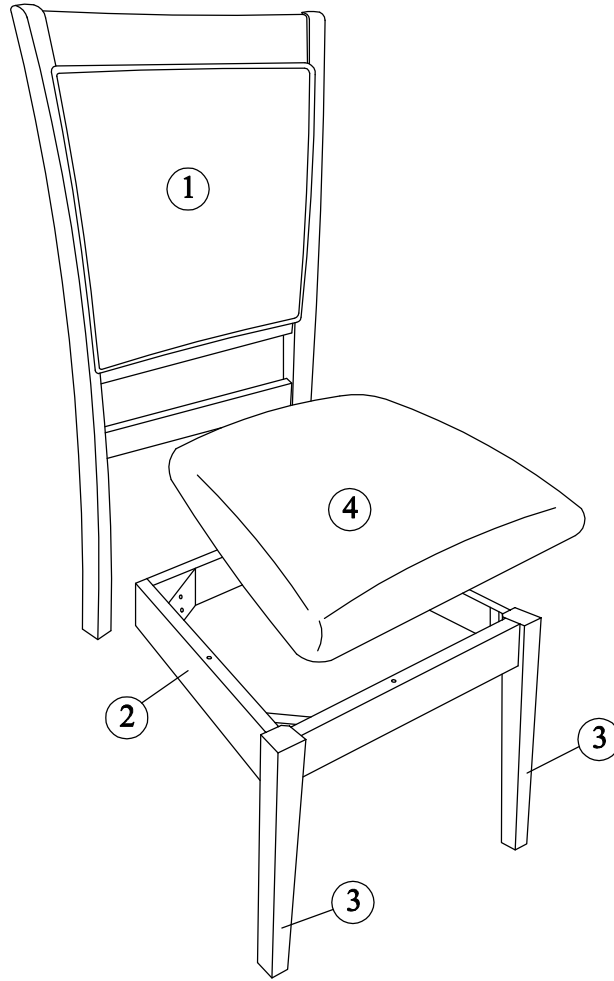
IMPORTANT NOTES :



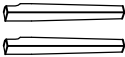

1. PLACE ALL PARTS ON A CLEAN AND SMOOTH SURFACE SUCH AS A RUG PR CARPET TO AVOID THE PARTS FROM BEING SCRATCHED.
2. BEFORE YOU BEGIN, KINDLY FOLLOW THE ASSEMBLY INSTRUCTION STEP BY STEP.


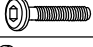
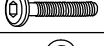






ASSEMBLY INSTRUCTIONS

WF302970



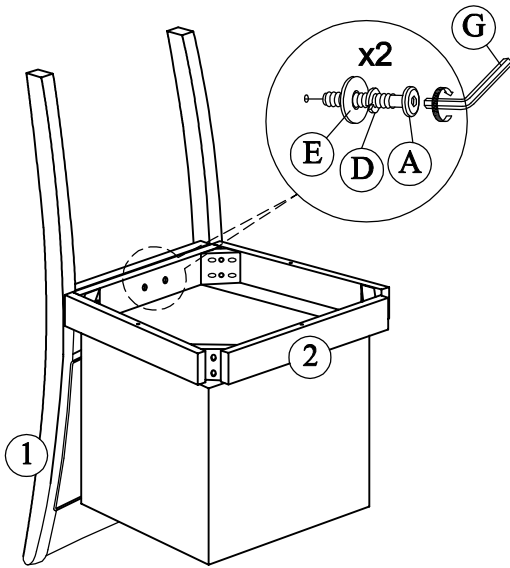
PARTS LIST FOR ONE		
NO.	COMPONENT	QTY.
1	Backrest 	1 pc
2	Box Frame 	1 pc
3	Front Leg 	2 pcs
4	Cushion Seat 	1 pc

HARDWARE LIST FOR ONE		
NO.	COMPONENT	QTY.
A	JCBC Bolt M6 x 40mm 	2 pcs
B	JCBC Bolt M6 x 60mm 	4 pcs
C	JCBC Bolt M6 x 70mm 	4 pcs
D	1/4" Spring Washer 	10 pcs
E	1/4" Flat Washer 	10 pcs
F	CB Screw M4 x 32mm 	3 pcs
G	Allen Key M4 x 110mm 	1 pc

ASSEMBLY INSTRUCTIONS

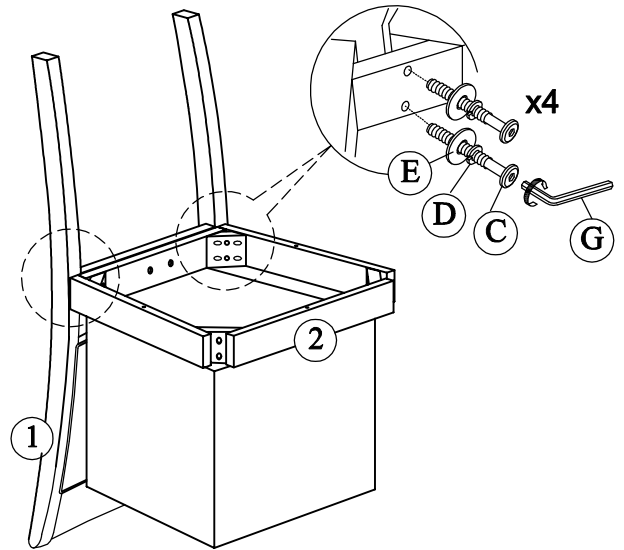
WF302970

1



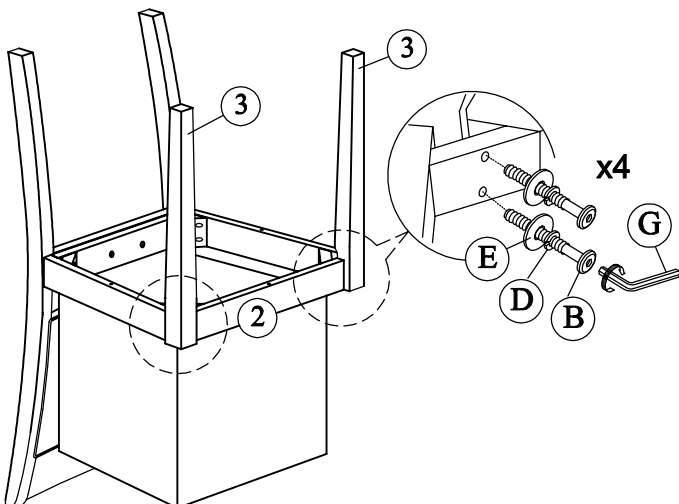
1. Attach Backrest (1) onto the Box Frame (2) . Insert JCBC Bolt (A) , Spring Washer (D) and Flat Washer (E) , using Allen Key (G).

2



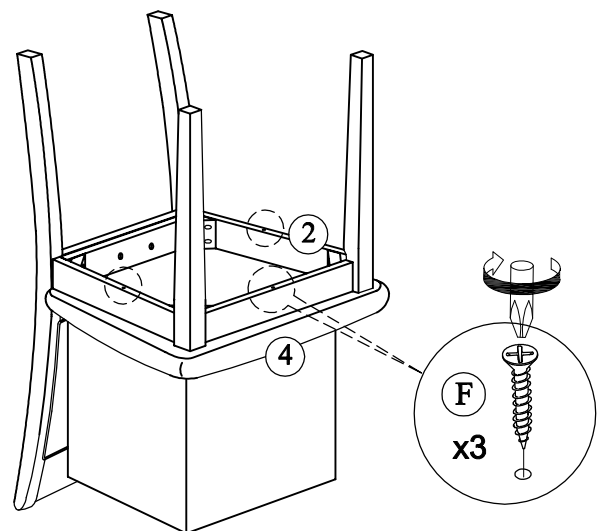
1. Insert JCBC Bolt (C) , Spring Washer (D) and Flat Washer (E) , using Allen Key (G).

3



1. Attach Front Leg (3) onto the Box Frame (2) . Insert JCBC Bolt (B) , Spring Washer (D) and Flat Washer (E) , using Allen Key (G).

4



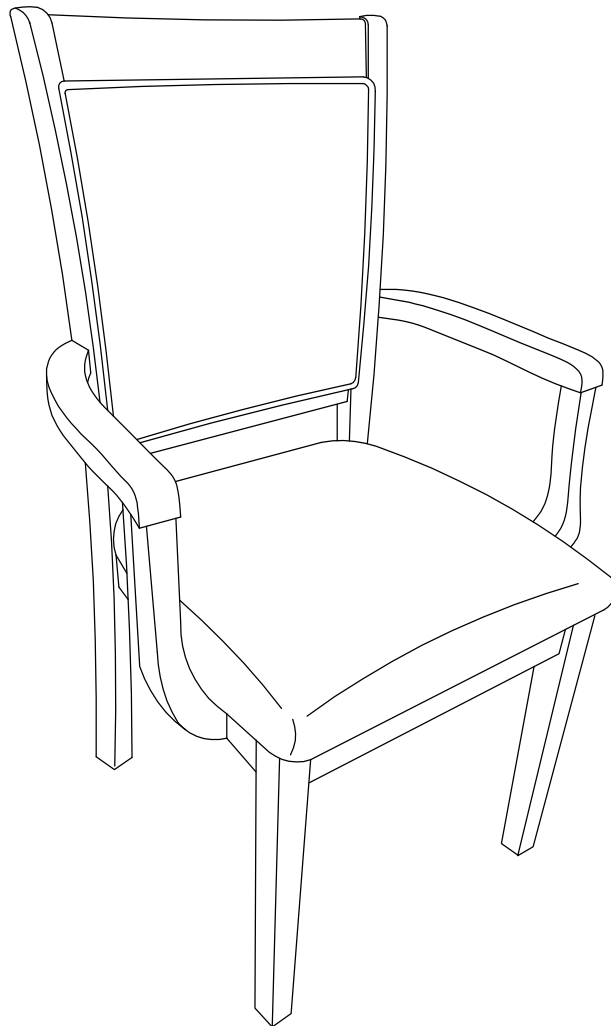
1. Attach Cushion Seat (4) onto the Box Frame (2) . Insert Screw (F) ,using Phillips Screwdriver (Not Provided).

ASSEMBLY INSTRUCTIONS

WF302971

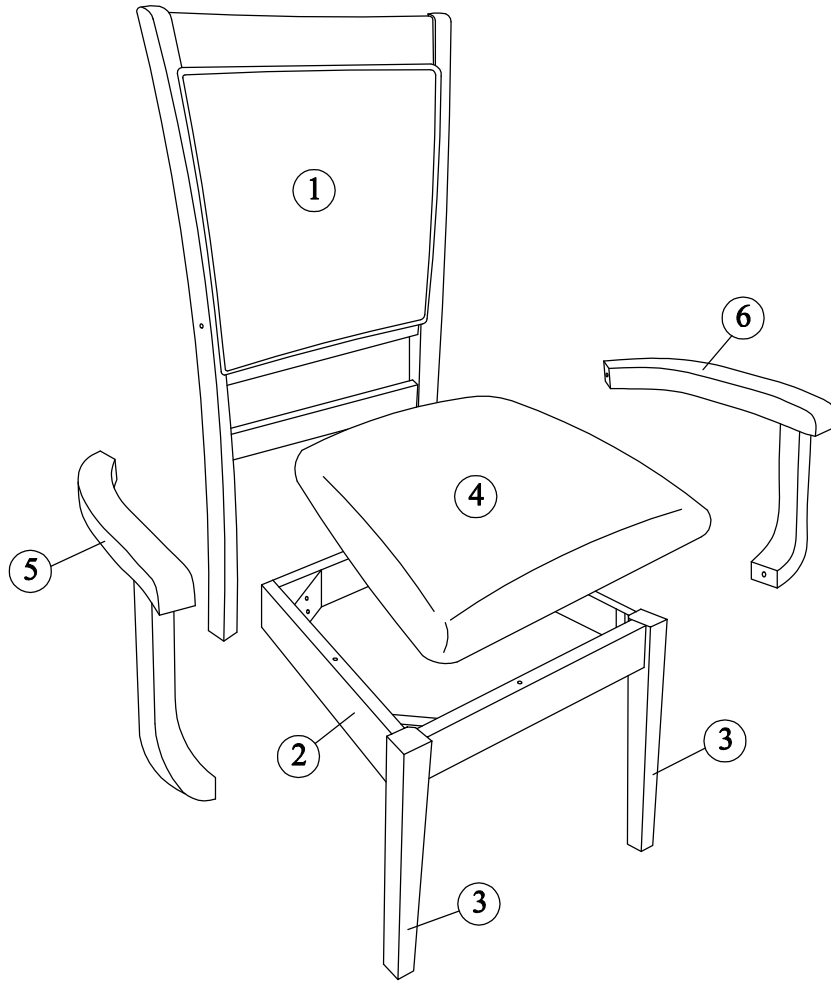
IMPORTANT NOTES :



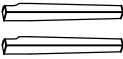



1. PLACE ALL PARTS ON A CLEAN AND SMOOTH SURFACE SUCH AS A RUG PR CARPET TO AVOID THE PARTS FROM BEING SCRATCHED.
2. BEFORE YOU BEGIN, KINDLY FOLLOW THE ASSEMBLY INSTRUCTION STEP BY STEP.


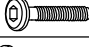
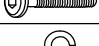
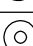

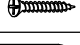



ASSEMBLY INSTRUCTIONS

WF302971

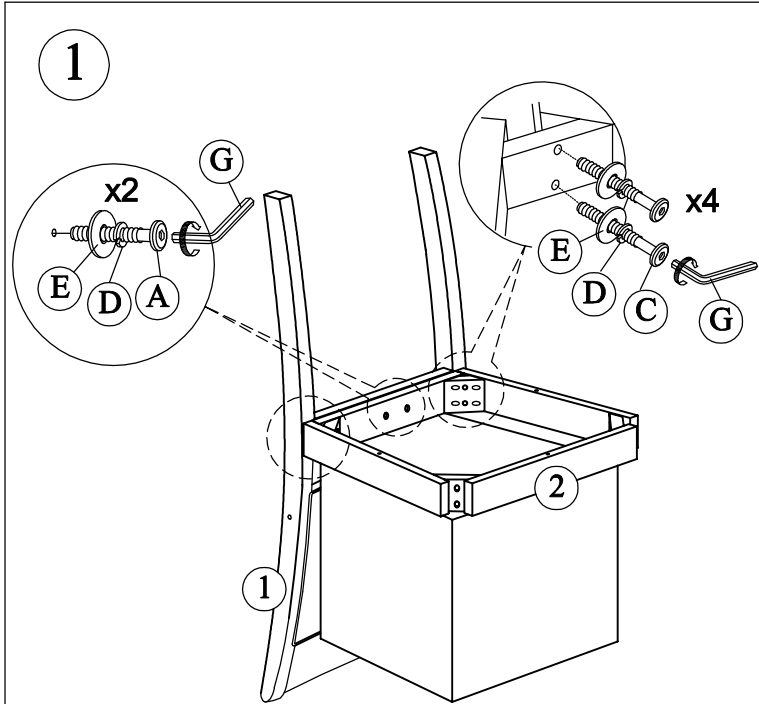


PARTS LIST FOR ONE			
NO.	COMPONENT		QTY.
1	Backrest		1 pc
2	Box Frame		1 pc
3	Front Leg		2 pcs
4	Cushion Seat		1 pc
5	Arm - Left		1 pc
6	Arm - Right		1 pc

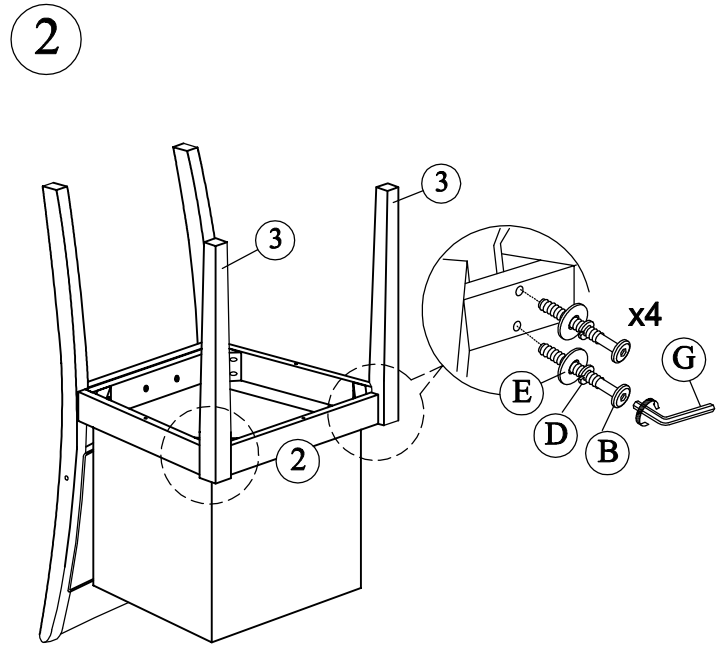
HARDWARE LIST FOR ONE			
NO.	COMPONENT		QTY.
A	JCBC Bolt M6 x 40mm		6 pcs
B	JCBC Bolt M6 x 60mm		4 pcs
C	JCBC Bolt M6 x 70mm		4 pcs
D	1/4" Spring Washer		14 pcs
E	1/4" Flat Washer		12 pcs
F	CB Screw M4 x 32mm		3 pcs
G	Allen Key M4 x 110mm		1 pc

ASSEMBLY INSTRUCTIONS

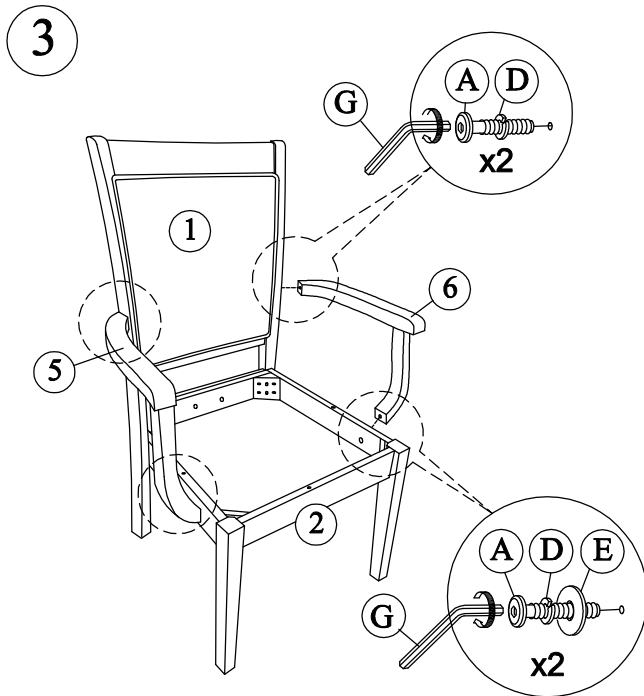
WF302971



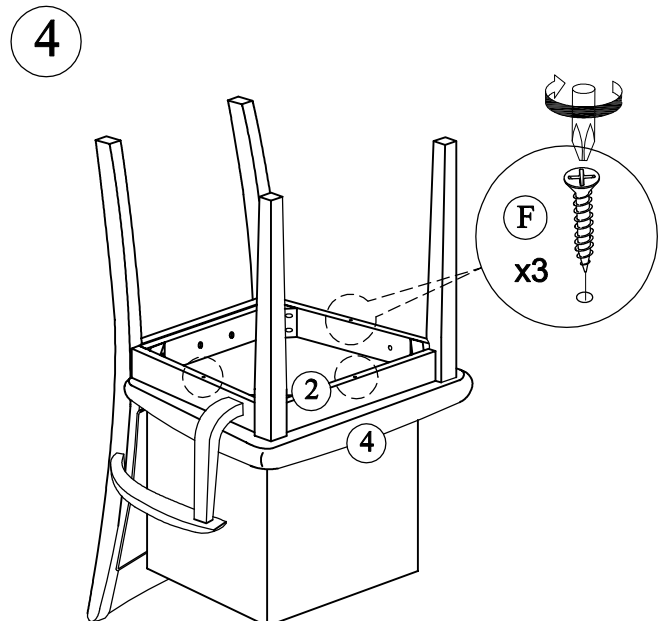
1. Attach Backrest (1) onto the Box Frame (2) . Insert JCBC Bolt (A) , Spring Washer (D) and Flat Washer (E) , using Allen Key (G).
2. Afterthan Insert JCBC Bolt (C) , Spring Washer (D) and Flat Washer (E) , using Allen Key (G).



1. Attach Front Leg (3) onto the Box Frame (2) . Insert JCBC Bolt (B) ,Spring Washer (D) and Flat Washer (E) , using Allen Key (G).



1. Attach Arm - Left (5) and Arm - Right (6) onto the Box Frame (2) , Insert JCBC Bolt (A) , Spring Washer (D) and Flat Washer (E) , using Allen Key (G).
2. Attach Arm - Left (5) and Arm - Right (6) onto the Backrest (1) , Insert JCBC Bolt (A) and Spring Washer (D) , using Allen Key (G).



1. Attach Cushion Seat (4) onto Box Frame (2) . Insert Screw (F) ,using Phillips Screwdriver (Not Provided).