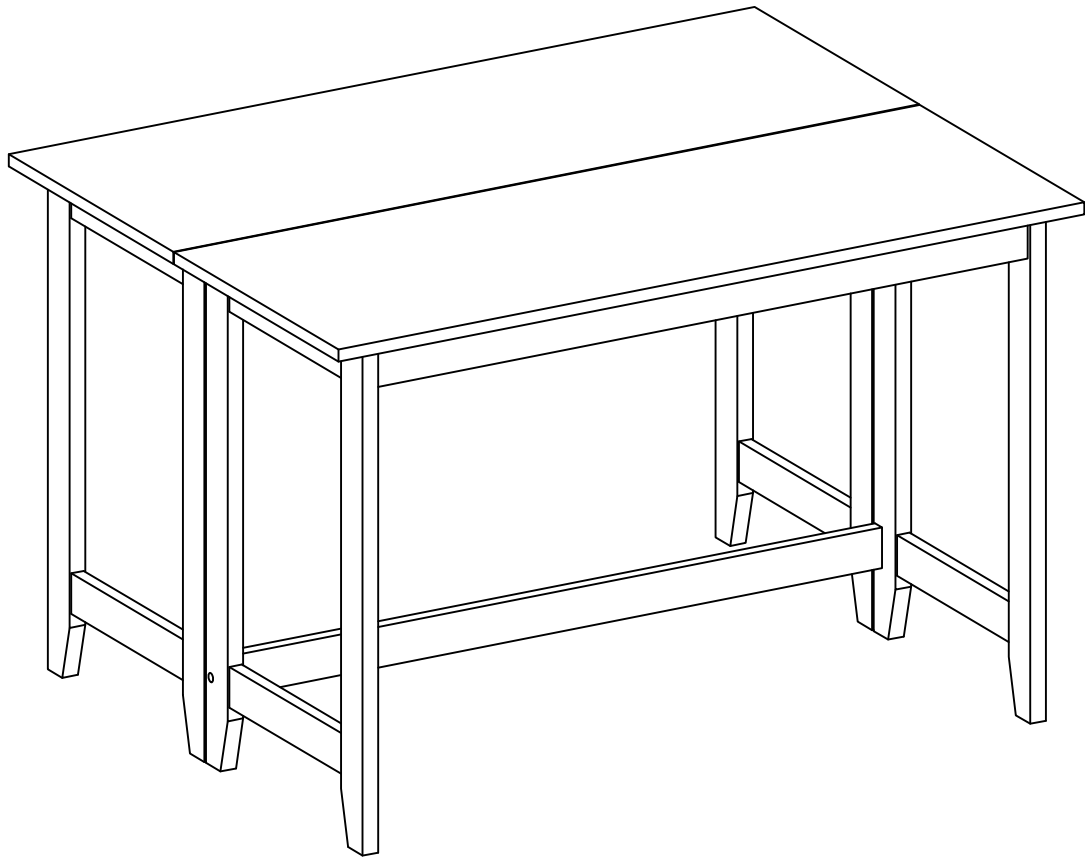


# ASSEMBLY INSTRUCTION

ITEM NO.WF322911

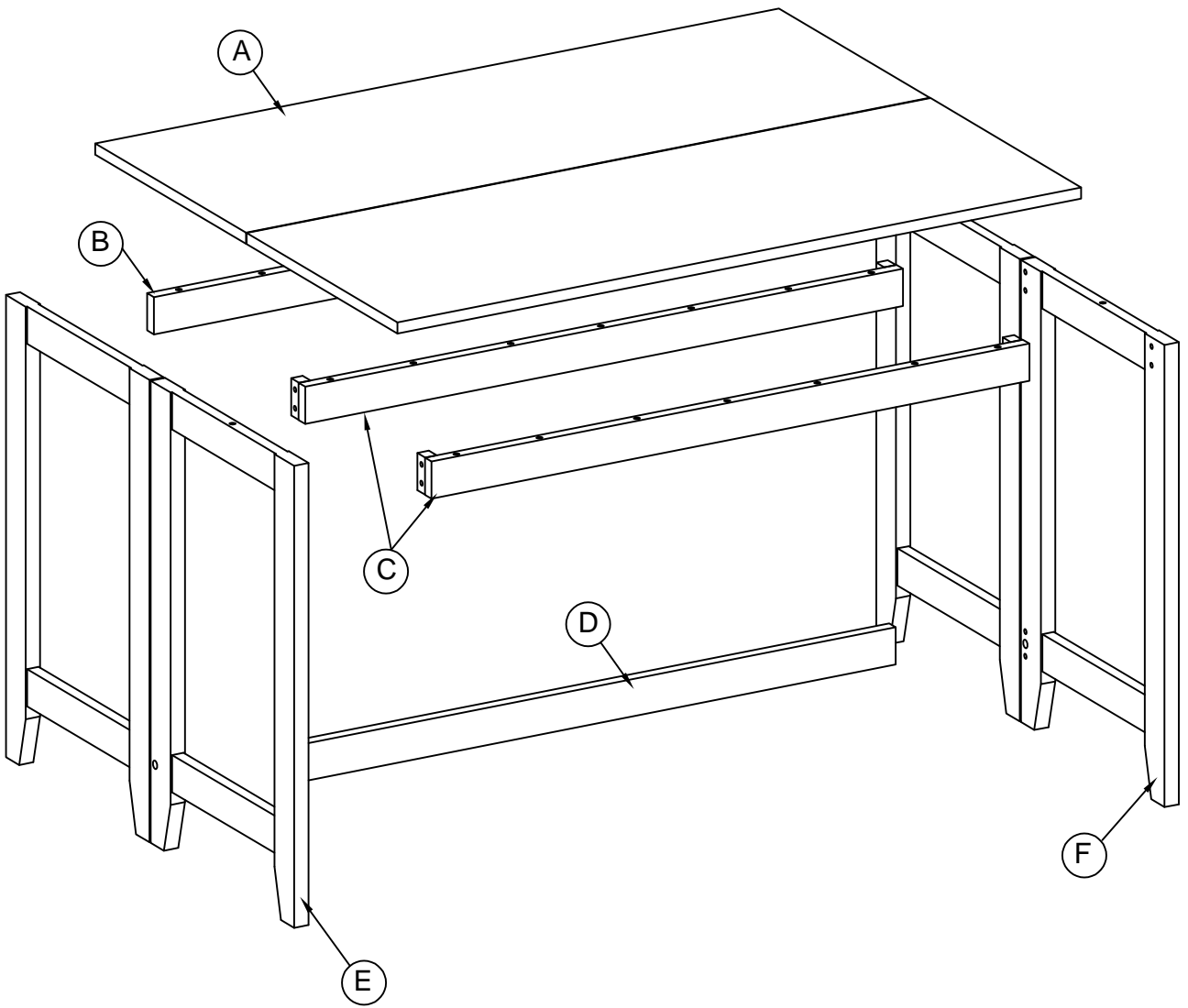


## IMPORTANT NOTE :

- ① PLACE ALL PARTS ON A CLEAN AND SMOOTH SURFACE SUCH AS A RUG OR CARPET TO AVOID THE PARTS FROM BEING SCRATCHED.
- ② BEFORE YOU BEGIN, KINDLY FOLLOW THE SEEMBLY INSTRUCTIONS STEP BY STEP.
- ③ DO NOT TIGTEN ALL SCREWS AND BOLTS UNTIL THE TABLE IS FULLY SET-UP.

# ASSEMBLY INSTRUCTION

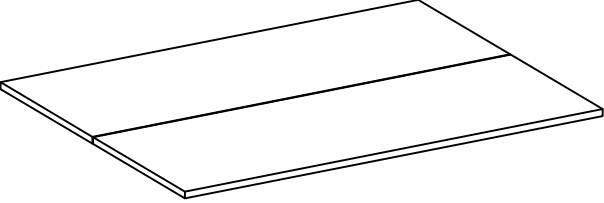
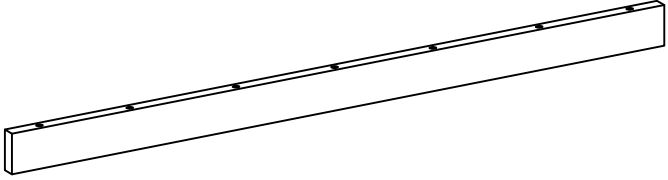
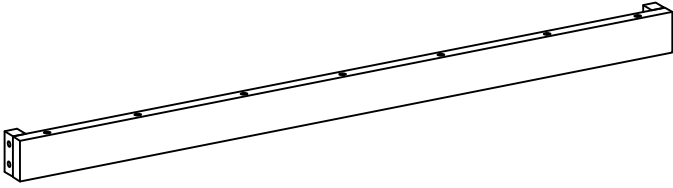
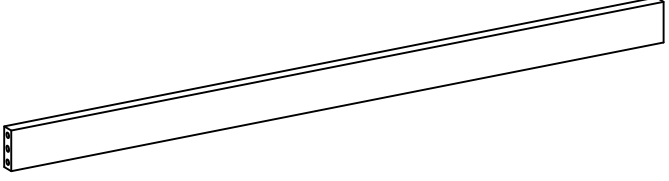
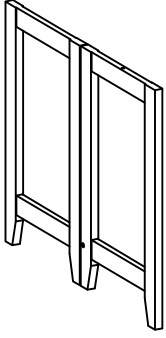
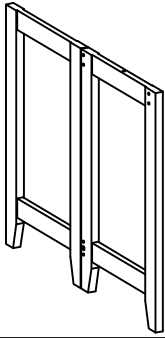
ITEM NO.WF322911



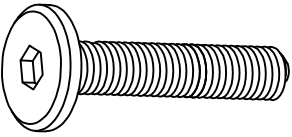
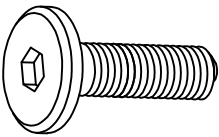
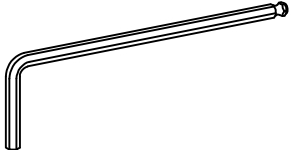
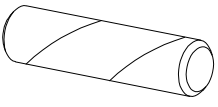
# ASSEMBLY INSTRUCTION

ITEM NO.WF322911

## PARTS LIST:

<p>(A)</p> 	<p>(B)</p> 
<p>Table Top (1pc)</p>	<p>Top Bar (1pc)</p>
<p>(C)</p> 	<p>(D)</p> 
<p>Top Bar (2pcs)</p>	<p>Bottom Bar (1pc)</p>
<p>(E)</p> 	<p>(F)</p> 
<p>Left Side (1pc)</p>	<p>Right Side (1pc)</p>

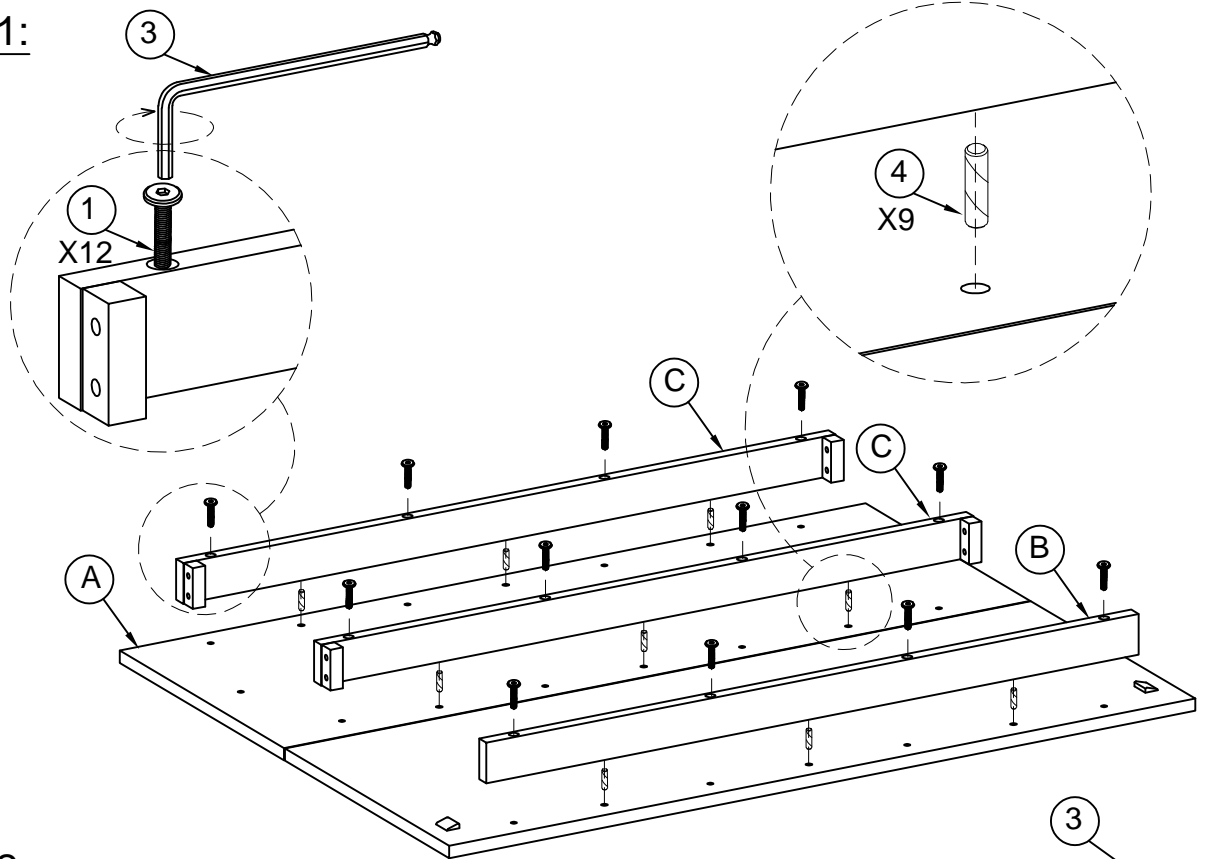
## HARDWARE LIST:

<p>(1)</p> 	<p>(2)</p> 	<p>(3)</p> 	<p>(4)</p> 
<p>M6*L50mm Bolt (14pcs)</p>	<p>M6*L35mm Bolt (10pcs)</p>	<p>4mm Allen Key (1pc)</p>	<p>8*L30mm Wood Dowel (13pcs)</p>

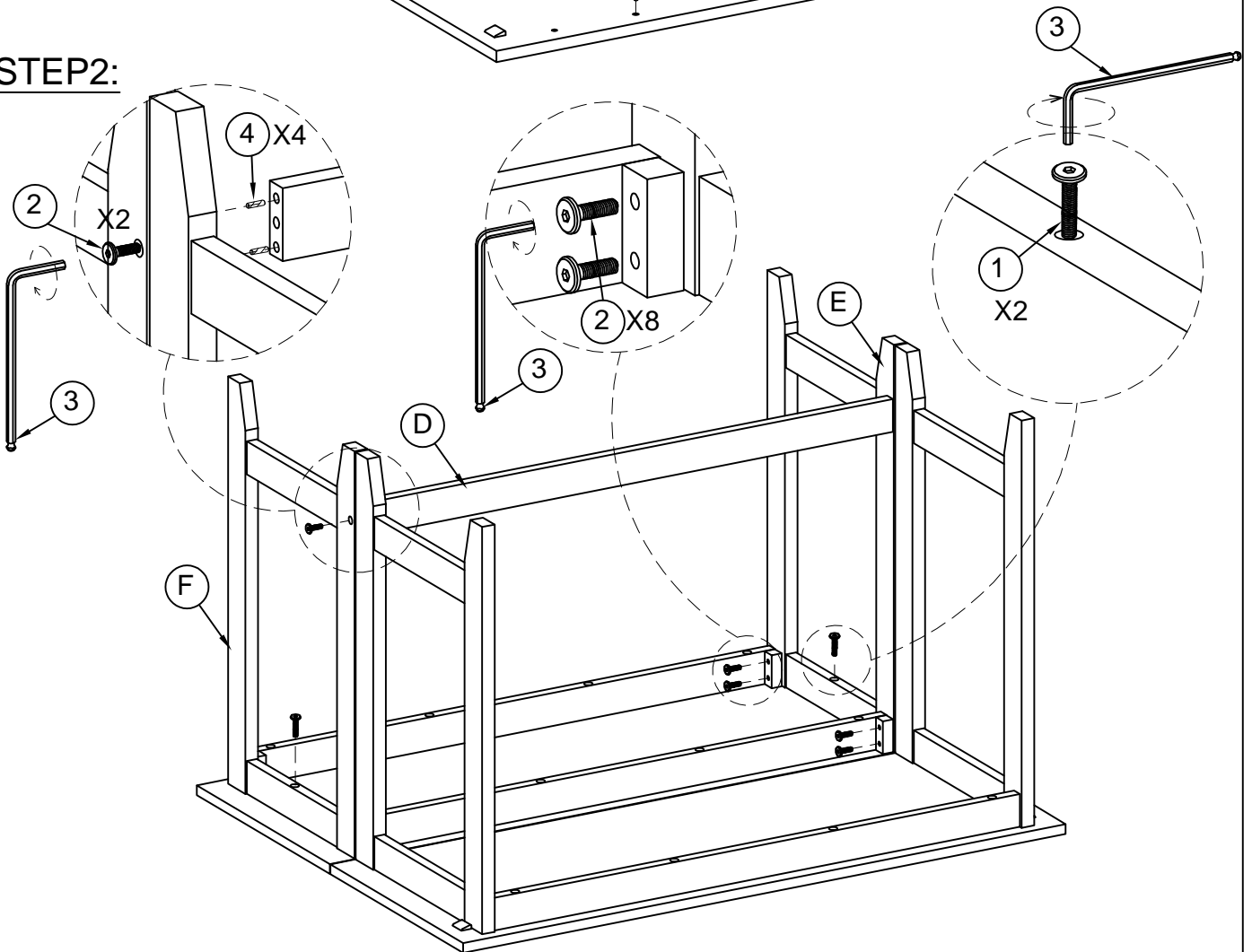
# ASSEMBLY INSTRUCTION

ITEM NO.WF322911

## STEP1:



## STEP2:



# ASSEMBLY INSTRUCTION

ITEM NO.WF322911

