

ASSEMBLY INSTRUCTIONS

WF193447-DINING TABLE

PLEASE DO NOT RETURN PRODUCT TO STORE

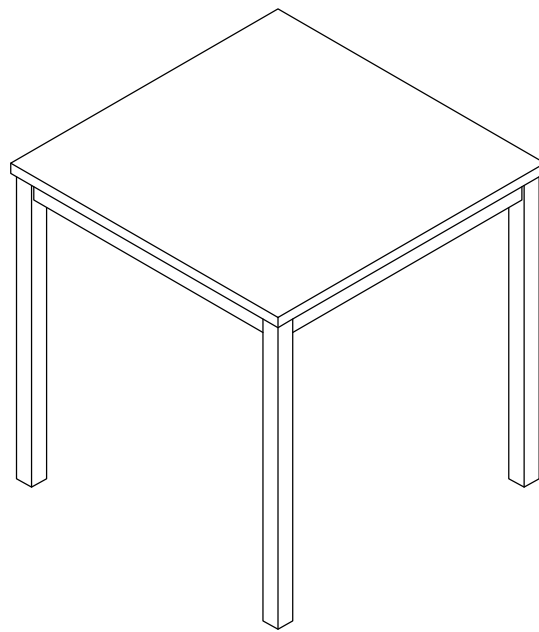
If you have any problem or concerns, please feel free to contact our customer Service department. We will reply you as soon as possible

IMPORTANT NOTE :

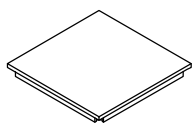

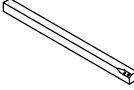



** PLACE ALL PARTS ON A CLEAN AND SMOOTH SURFACE SUCH AS A RUG OR CARPET TO AVOID THE PARTS FROM BEING SCRATCHED.

** BEFORE YOU BEGIN, KINDLY FOLLOW THE ASSEMBLY INSTRUCTIONS STEP BY STEP.

**DO NOT TIGHTEN ALL SCREWS AND BOLTS UNTIL THE CHAIR IS FULLY SET-UP.



CARTONS ONLY ONE/ CARTONS SEULEMENT UN

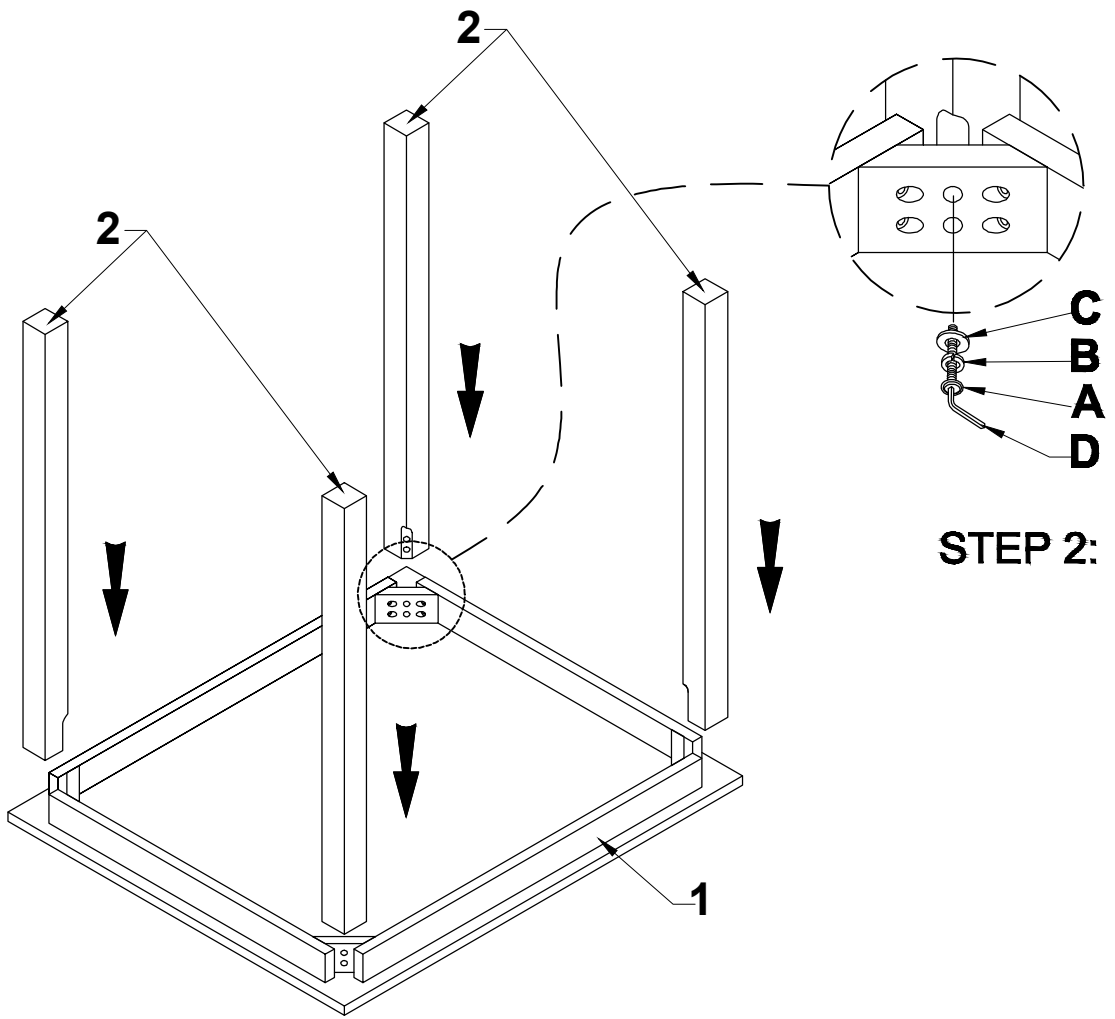
PART LISTS				HARDWARE LISTS			
NO.	DESCRIPTION	SKETCH	Q'TY	NO.	DESCRIPTION	SKETCH	Q'TY
1	TABLE TOP		1 PC	A	BOLT Ø5/16" x 60mmL		8 PCS
2	LEGS		4 PCS	B	SPRING WASHER Ø5/16" x 13mmL		8 PCS
				C	FLAT WASHER Ø5/16" x 19mmL		8 PCS
				D	ALLEN KEY		1 PC

MADE IN VIETNAM

1 OF 2

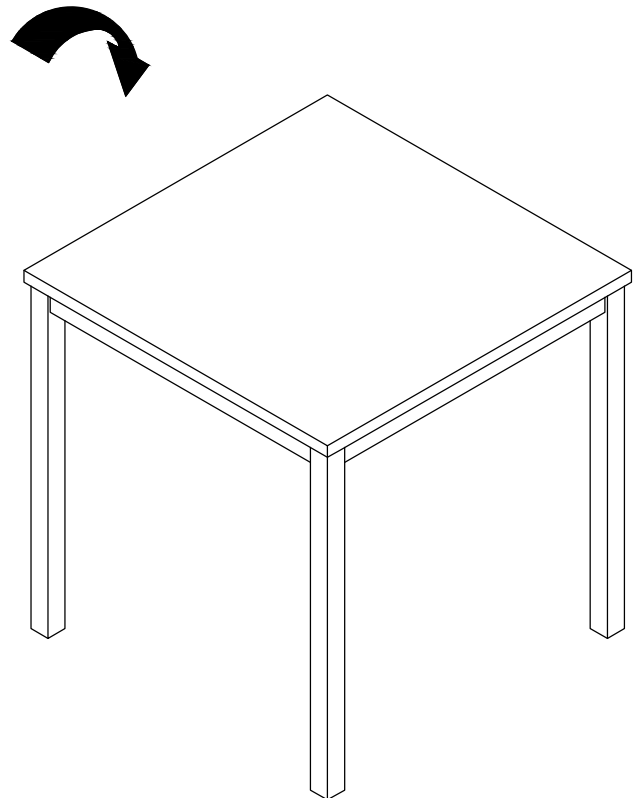
ASSEMBLY INSTRUCTIONS

STEP 1:



STEP 2:

STEP 2:



ASSEMBLY INSTRUCTIONS

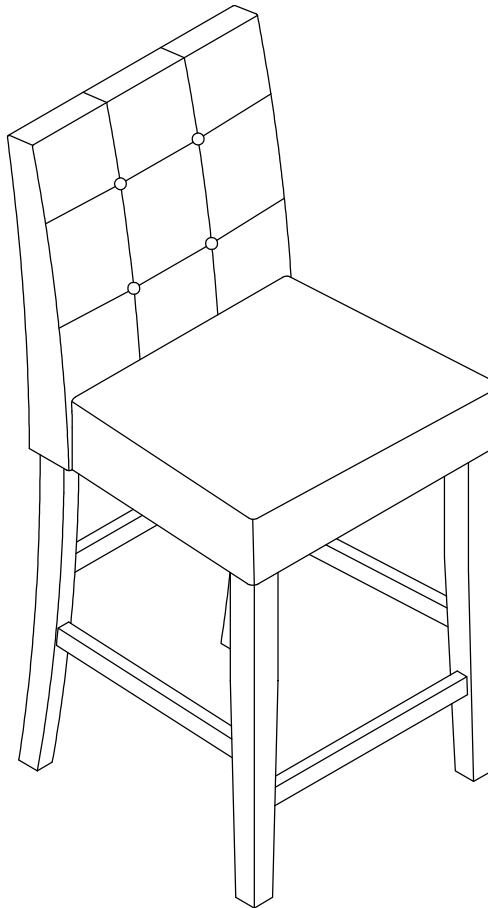
WF193448-DINING CHAIR

IMPORTANT NOTE :

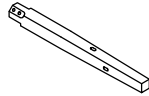

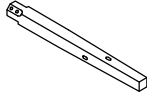

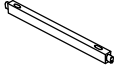

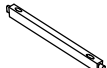

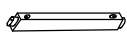

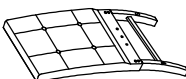



** PLACE ALL PARTS ON A CLEAN AND SMOOTH SURFACE SUCH AS A RUG OR CARPET TO AVOID THE PARTS FROM BEING SCRATCHED.

** BEFORE YOU BEGIN, KINDLY FOLLOW THE ASSEMBLY INSTRUCTIONS STEP BY STEP.

**DO NOT TIGHTEN ALL SCREWS AND BOLTS UNTIL THE CHAIR IS FULLY SET-UP.

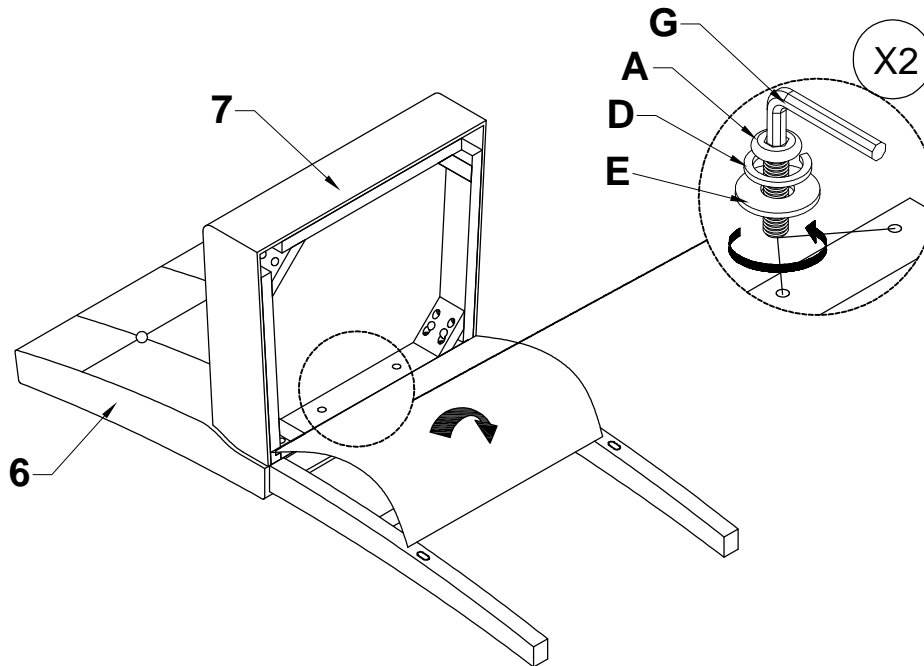


CARTONS ONLY ONE/ CARTONS SEULEMENT UN

PART LISTS				HARDWARE LISTS			
NO.	DESCRIPTION	SKETCH	Q'TY	NO.	DESCRIPTION	SKETCH	Q'TY
1	FRONT LEG-L		4 PCS	A	BOLT Ø1/4" x 38mmL		8 PCS
2	FRONT LEG-R		4 PCS	B	BOLT Ø1/4" x 50mmL		16 PCS
3	LEFT STRECHER		4 PCS	C	BOLT Ø1/4" x 75mmL		16 PCS
4	RIGHT STRECHER		4 PCS	D	SPRING WASHER Ø1/4" x 13mmL		40 PCS
5	FRONT STRECHER		4 PCS	E	FLAT WASHER Ø1/4" x 19mmL		40 PCS
6	CHAIR BACK		4 PCS	F	CREW Ø4 x 45mmL		24 PCS
7	SEAT		4 PCS	G	ALLEN KEY		4 PCS

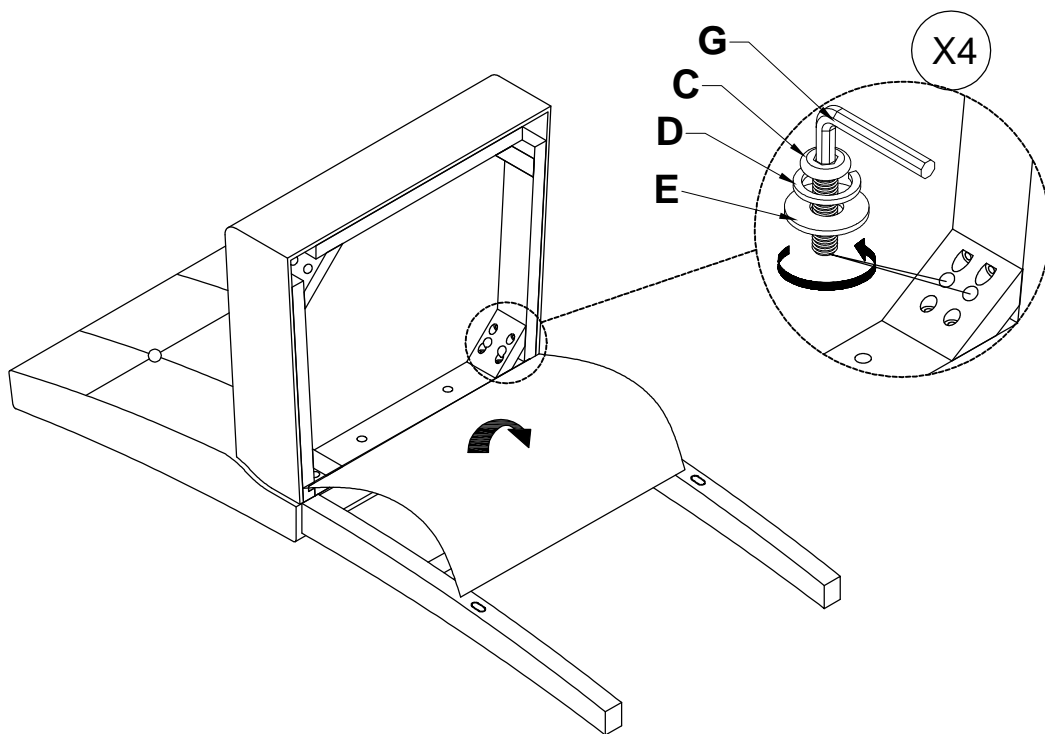
ASSEMBLY INSTRUCTIONS

STEP 1:

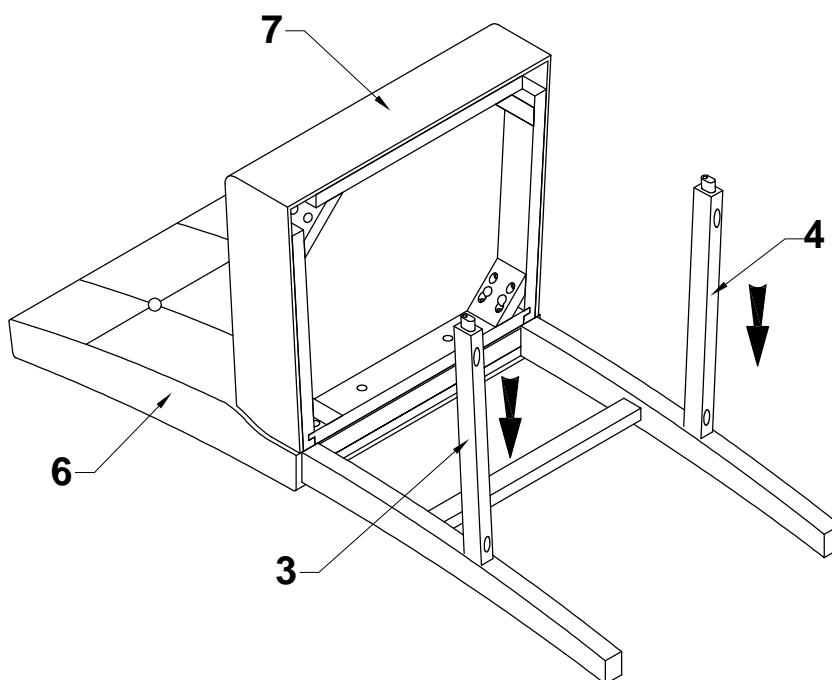


ASSEMBLY INSTRUCTIONS

STEP 2:

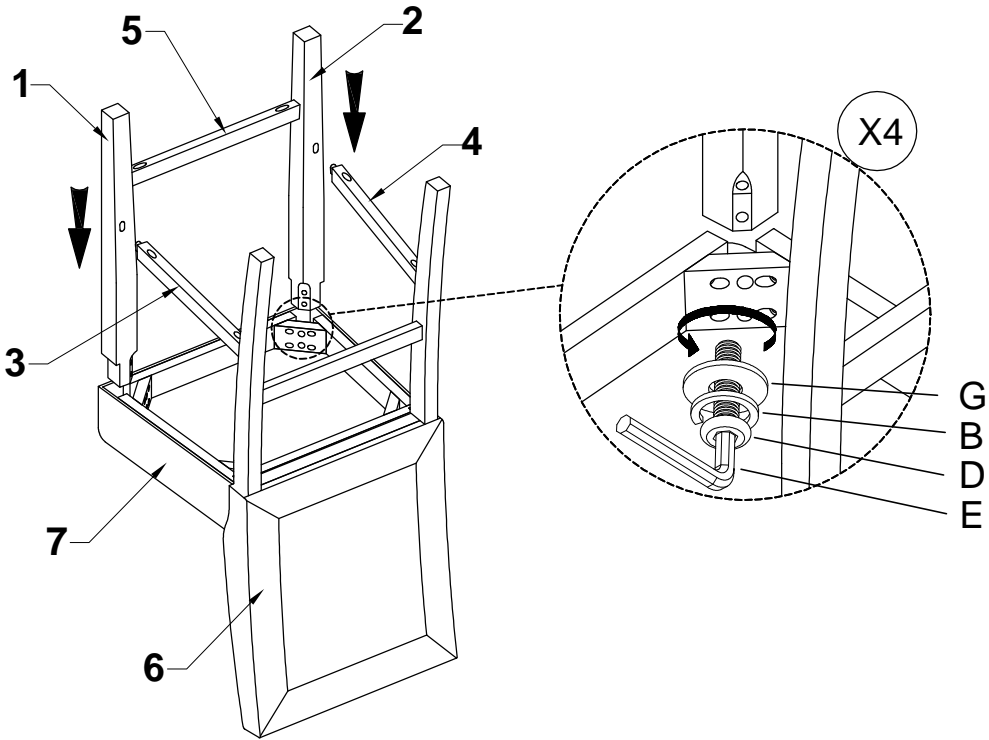


STEP 3:



ASSEMBLY INSTRUCTIONS

STEP 4:



STEP 5:

