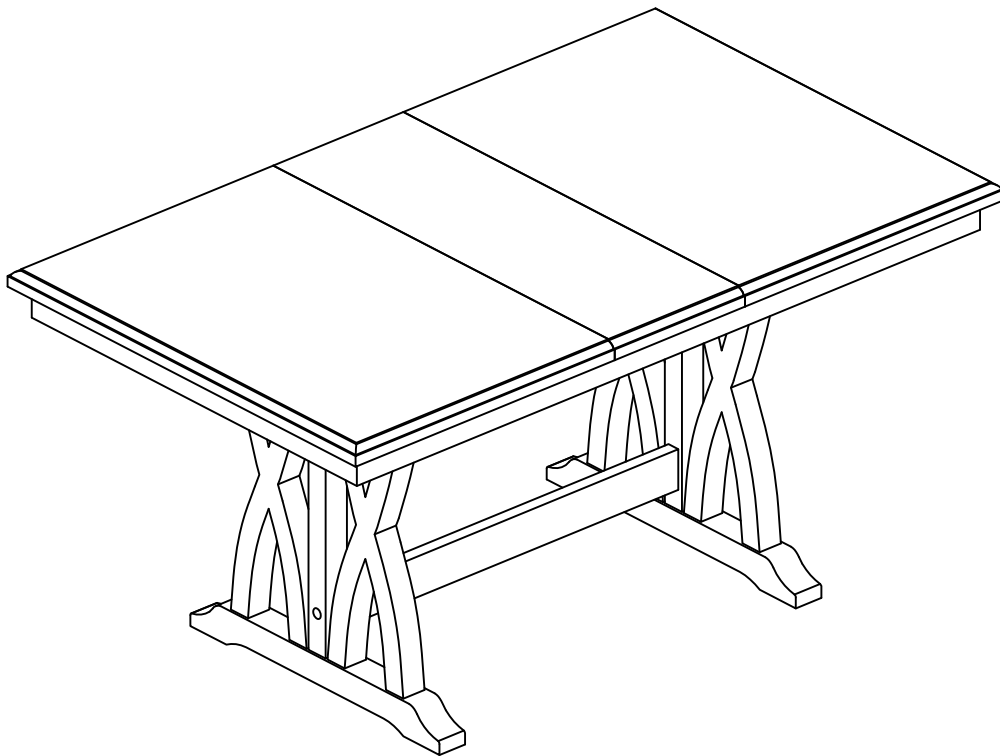


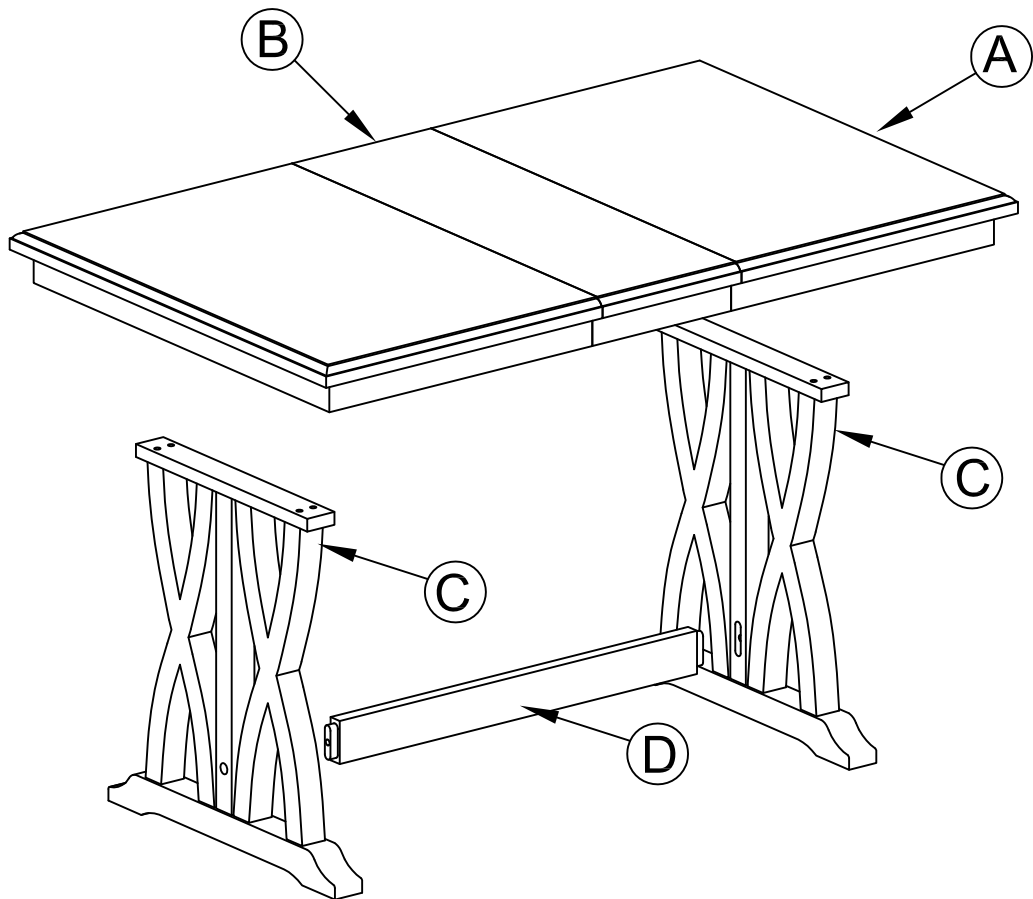
ASSEMBLY INSTRUCTIONS

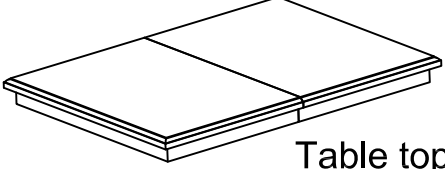


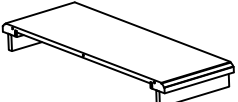


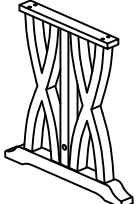


**ITEM NOTE: WF303482
DINING TABLE**



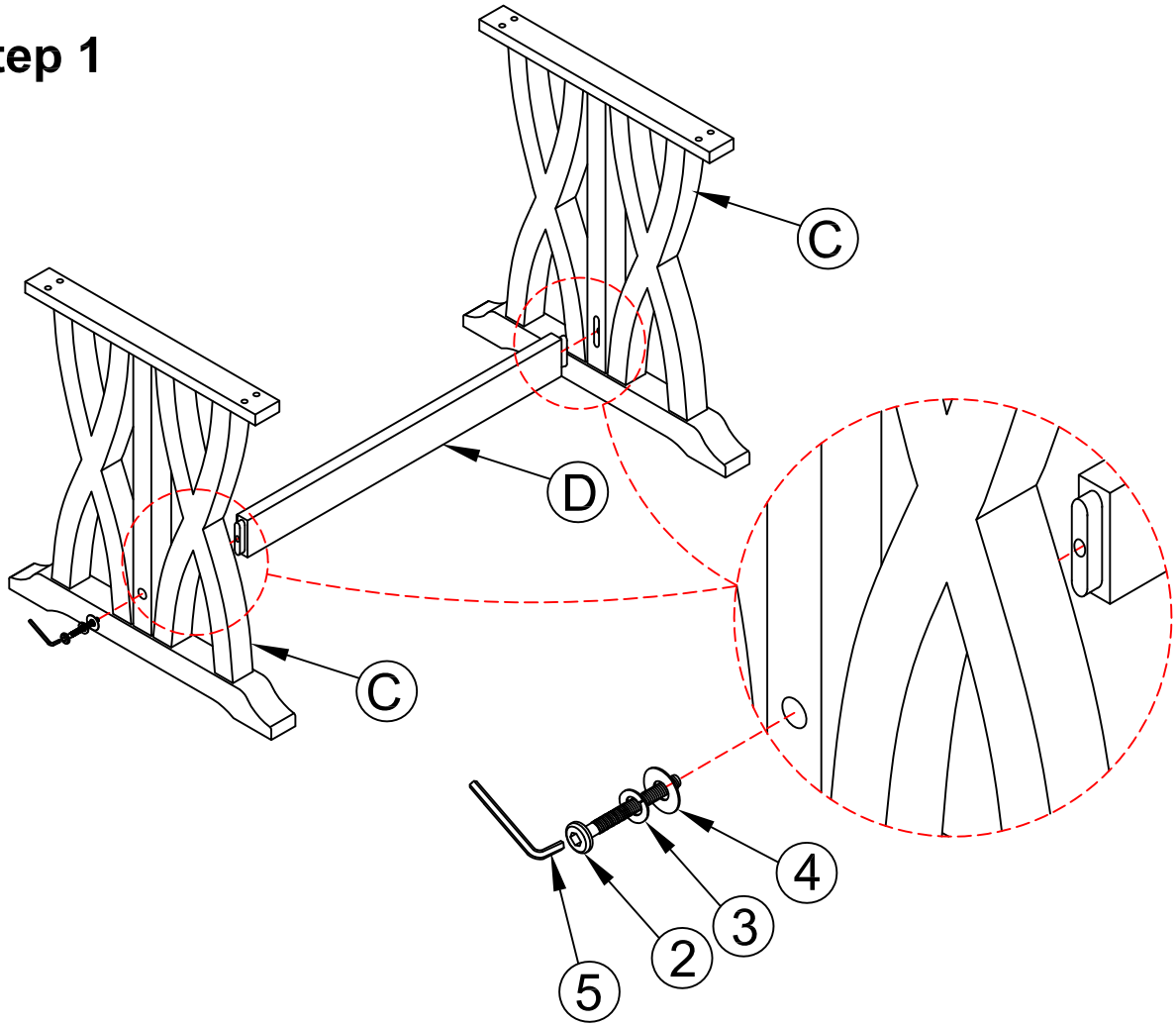
IMPORTANT NOTE :

- 1 PLACE ALL PARTS ON A CLEAN AND SMOOTH SURFACE SUCH AS A RUG OR CARPET TO AVOID THE PARTS FROM BEING SCARFED .
- 2 BEFORE YOU BEGIN , KINDLY FOLLOW THE ASSEMBLY INSTRUCTIONS STEP BY STEP
- 3 DO NOT TIGHTEN ALL SCREWS AND BOLTS UNTILL THE TABLE FULLY SET-UP

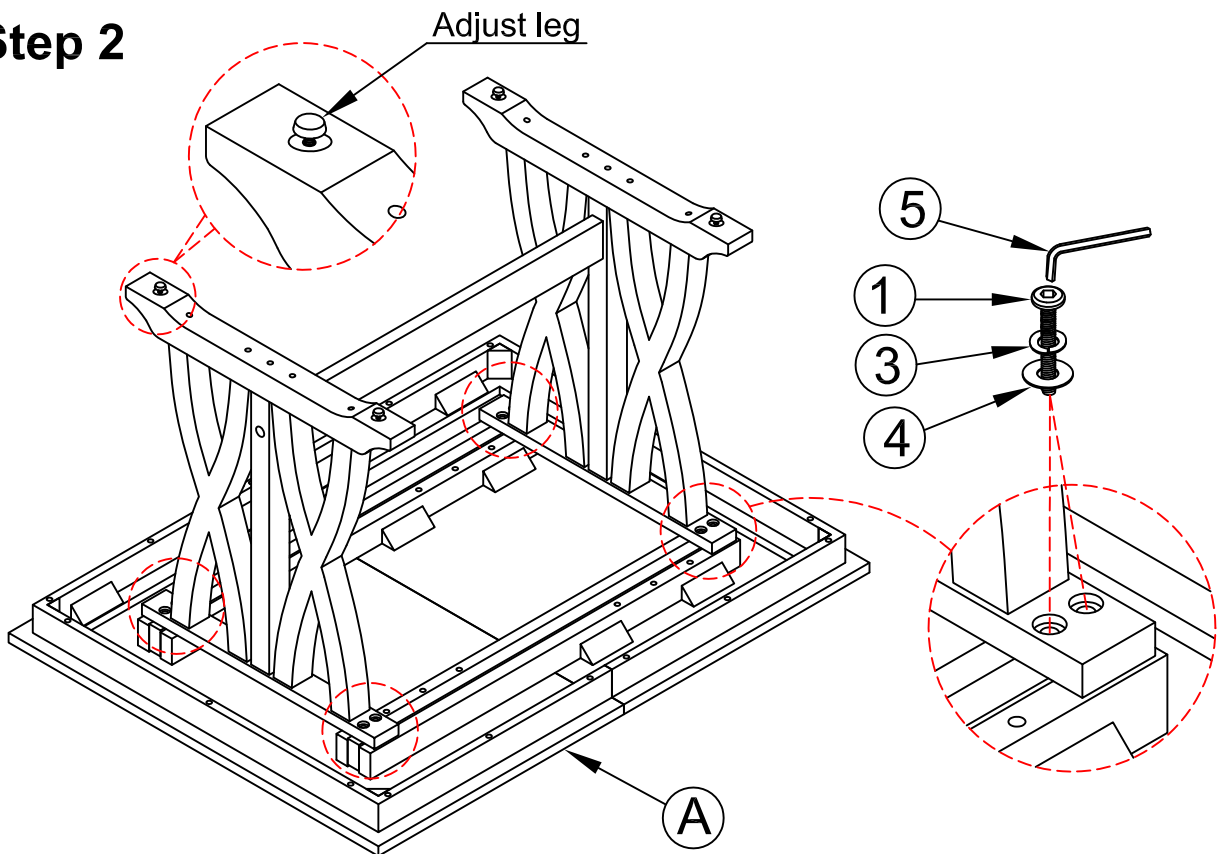


Part List For One			Hardware List For One		
No.	Hardware Description	Q'ty	No.	Hardware Description	Q'ty
A	 Table top	1pc	1	 Bolt Ø1/4" x 40mm	8pcs
			2	 Bolt Ø1/4" x 50mm	2pcs
B	 Table Leaf	1pc	3	 Lock washer Ø1/4" x11x1.5mm	10pcs
			4	 Flat washer Ø1/4" x16 x1.5mm	10pcs
C	 Side Support	2pcs	5	 Allen key 4 x 60 mm	1pc
D	 Bottom Support	1pc			

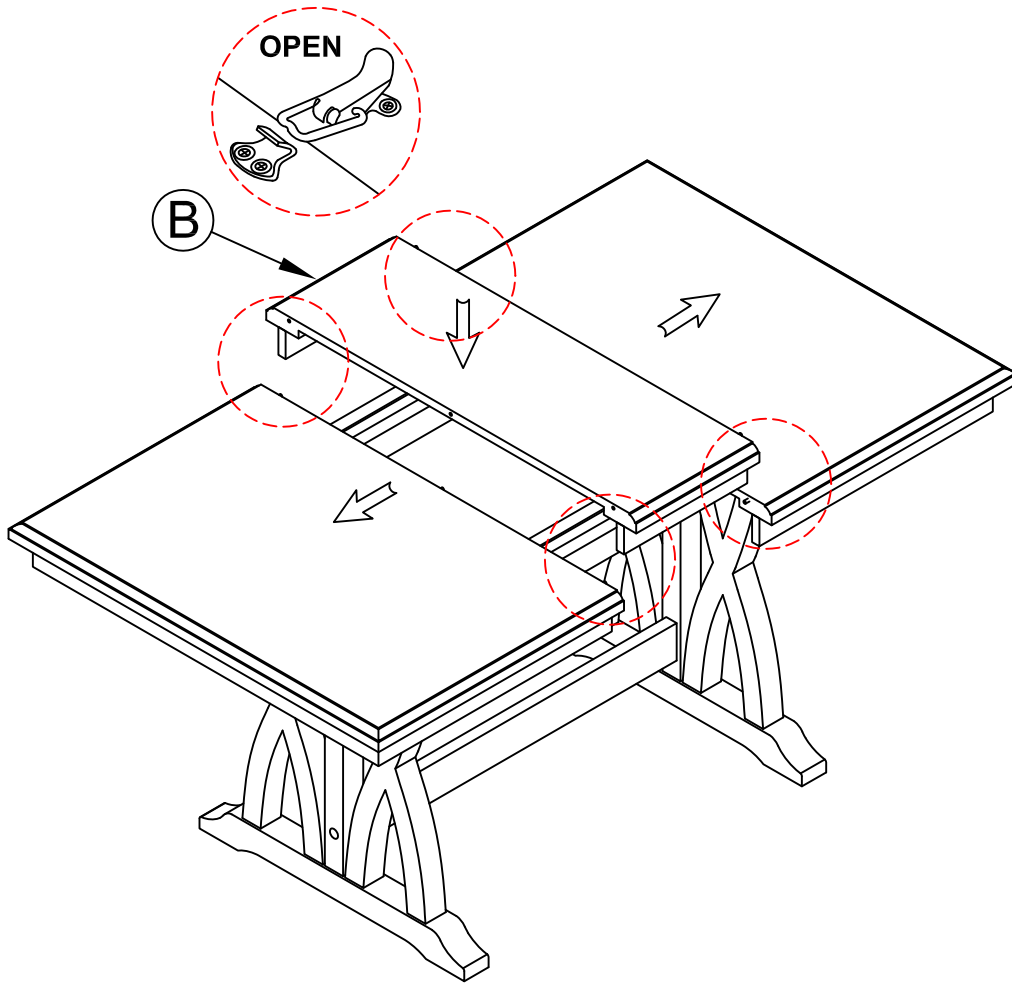
Step 1



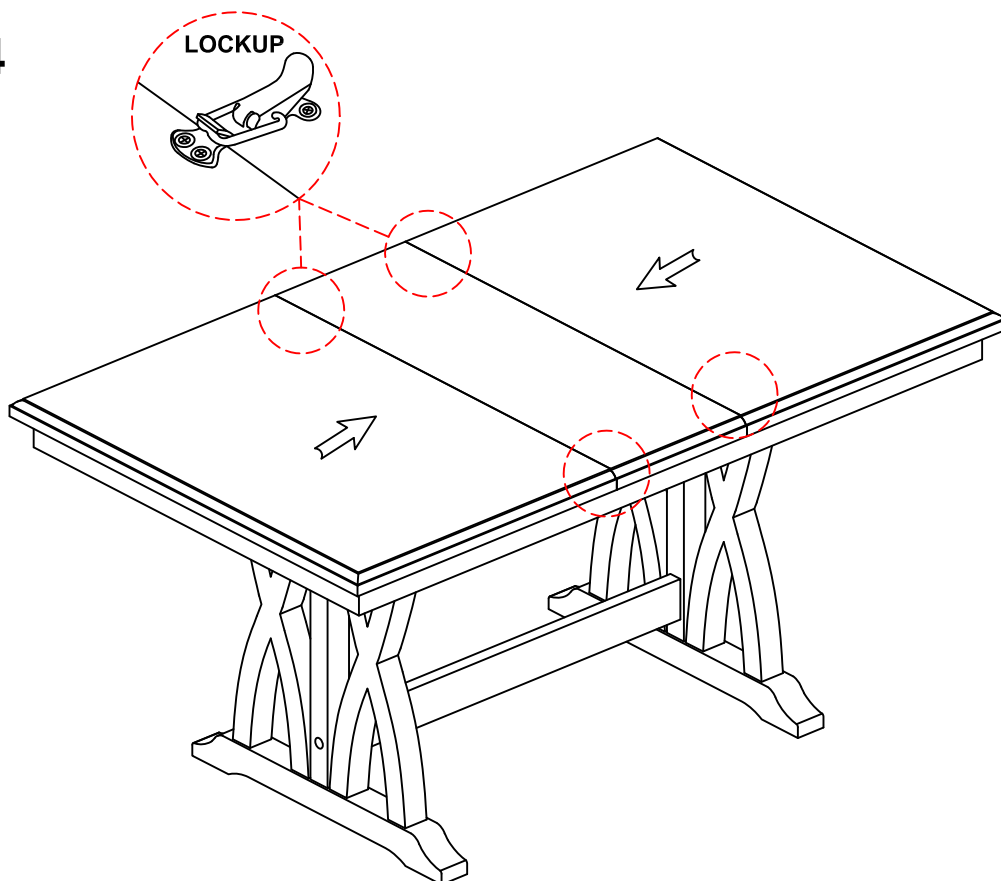
Step 2



Step 3

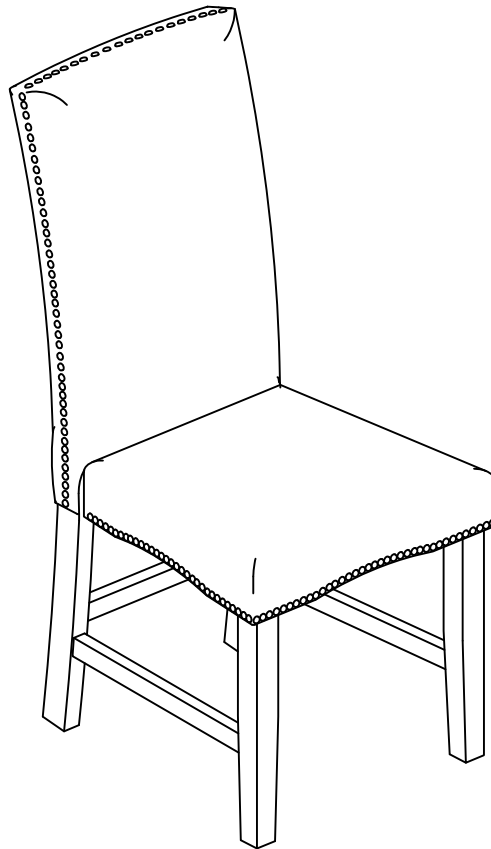


Step 4



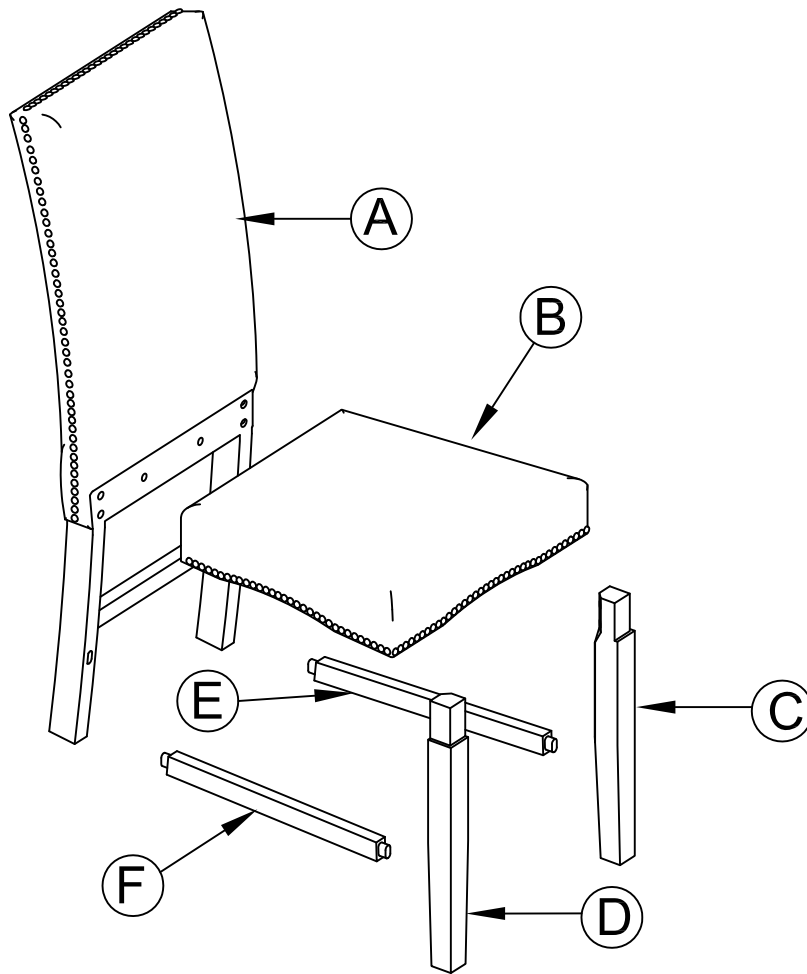
ASSEMBLY INSTRUCTIONS

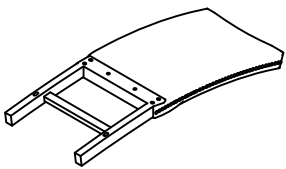
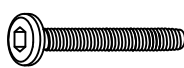
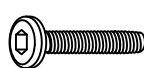
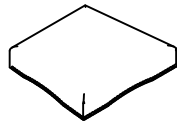
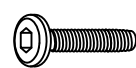

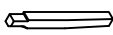

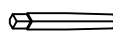
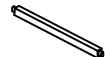

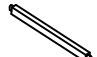

ITEM NOTE: WF303483 DINING CHAIR



IMPORTANT NOTE :

- 1 PLACE ALL PARTS ON A CLEAN AND SMOOTH SURFACE SUCH AS A RUG OR CARPET TO AVOID THE PARTS FROM BEING SCARFED .
- 2 BEFORE YOU BEGIN , KINDLY FOLLOW THE ASSEMBLY INSTRUCTIONS STEP BY STEP
- 3 DO NOT TIGHTEN ALL SCREWS AND BOLTS UNTILL THE CHAIR FULLY SET-UP

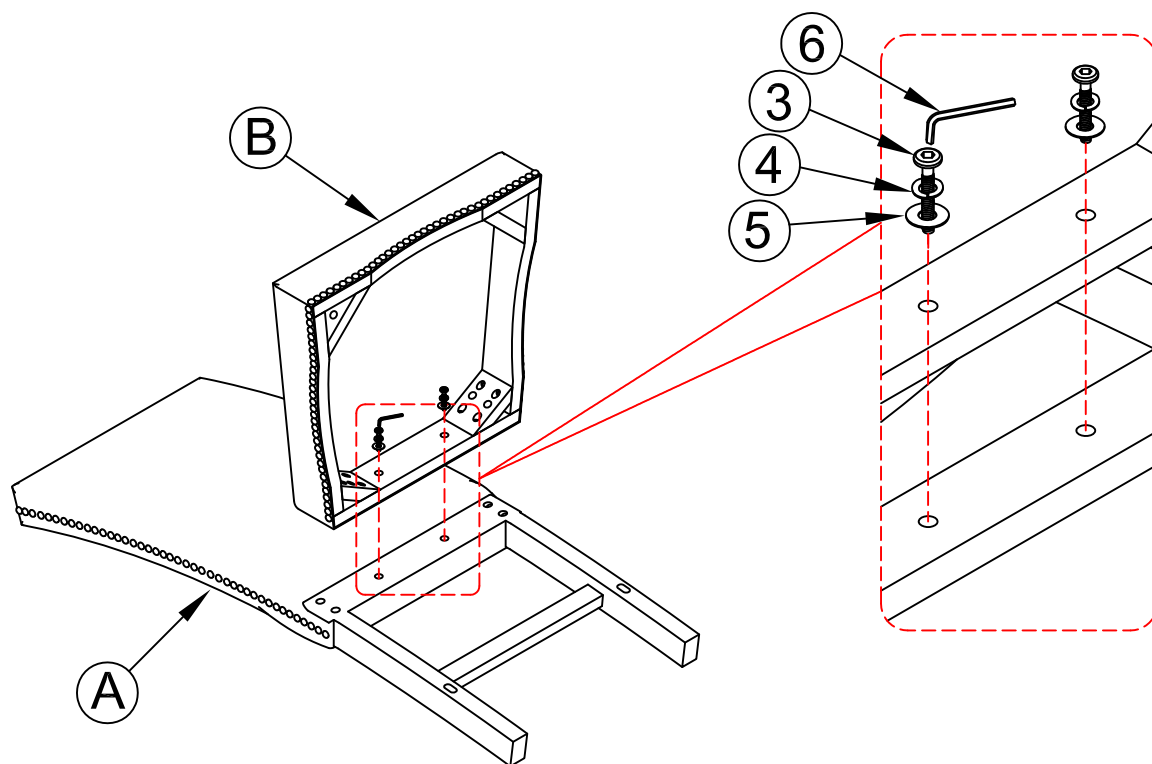


Part List For One			Hardware List For One		
No.	Hardware Description	Q'ty	No.	Hardware Description	Q'ty
A	 Backrest	1pc	1	 Bolt Ø1/4" x 70mm	4pcs
			2	 Bolt Ø1/4" x 50mm	4pcs
B	 Seat frame	1pc	3	 Bolt Ø1/4" x 40mm	2pcs
			4	 Lock washer Ø1/4" x11x1.5mm	10pcs
C	 Front leg	1pc	5	 Flat washer Ø1/4" x16 x1.5mm	10pcs
D	 Front leg	1pc			
E	 Side Support	1pc	6	 Allen key 4 x 60 mm	1pc
F	 Side Support	1pc	7	 Screw #4 x 38 mm	4pcs

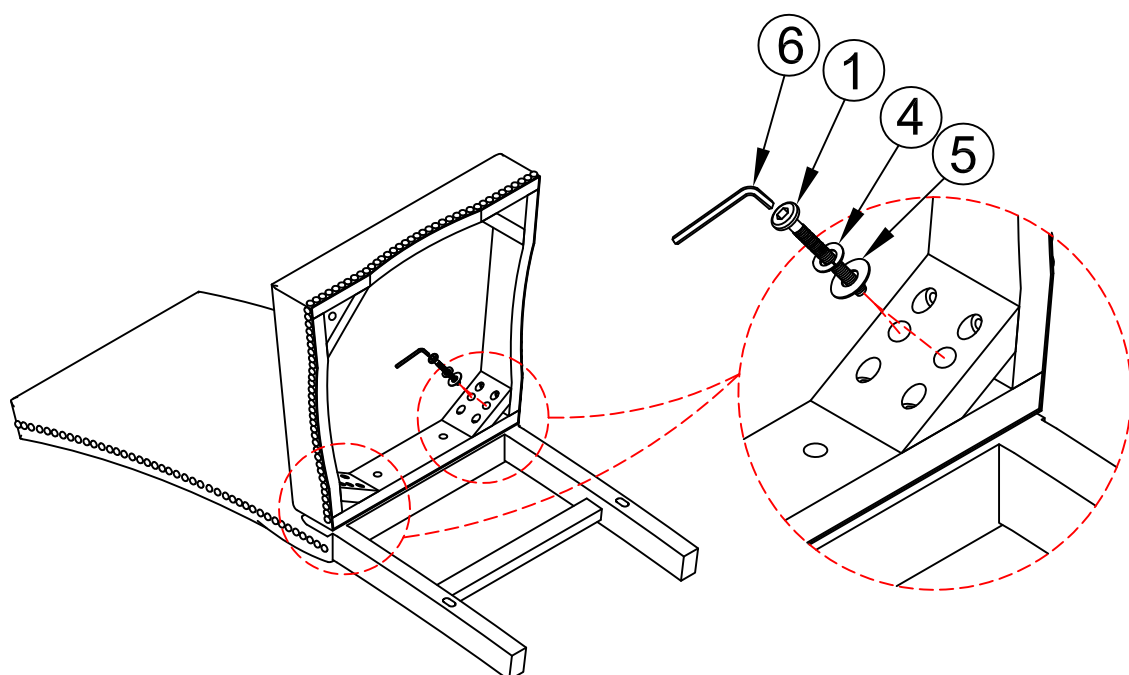
ASSEMBLY TOOLS REQUIRED (NOT INCLUDED)



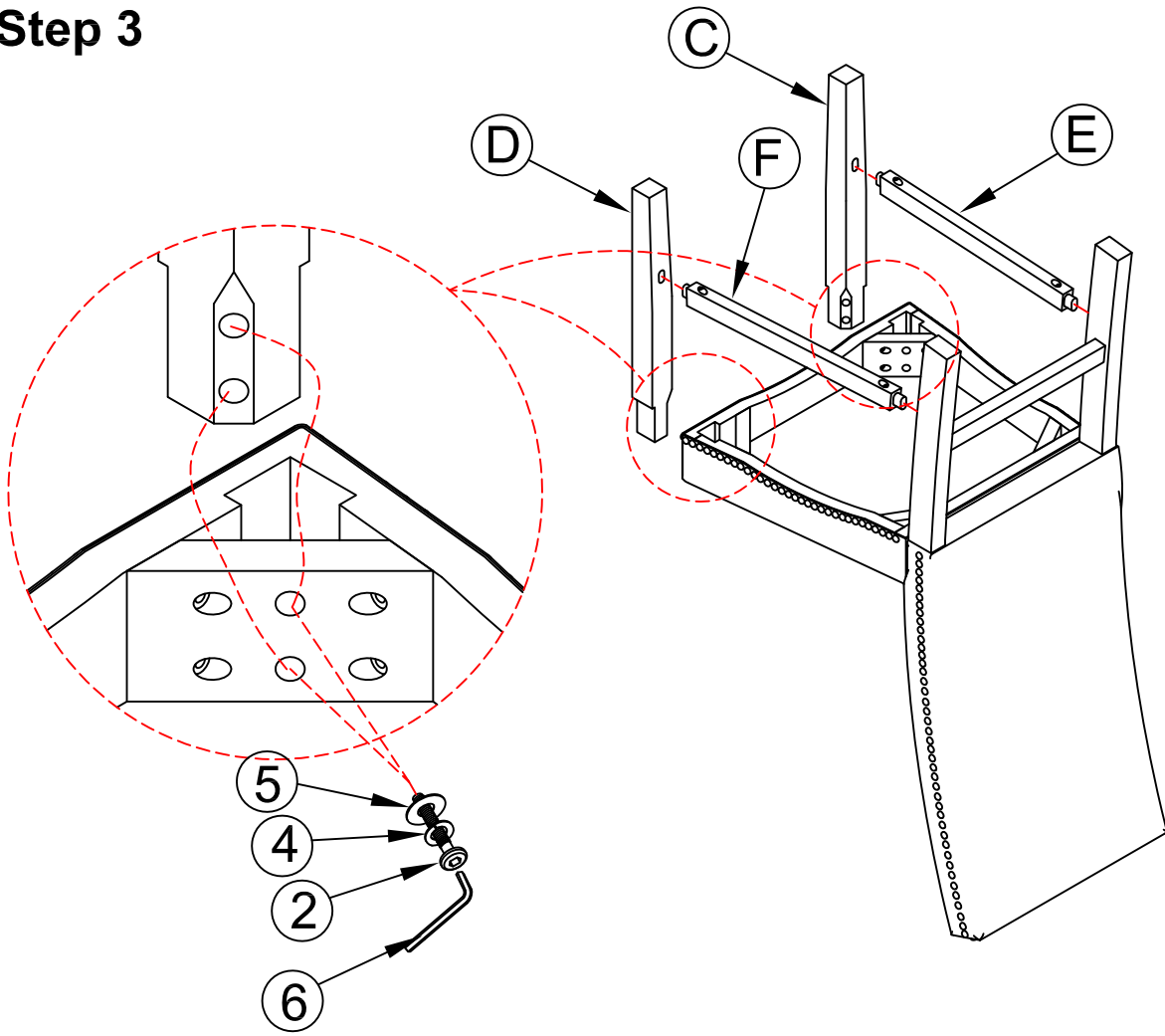
Step 1



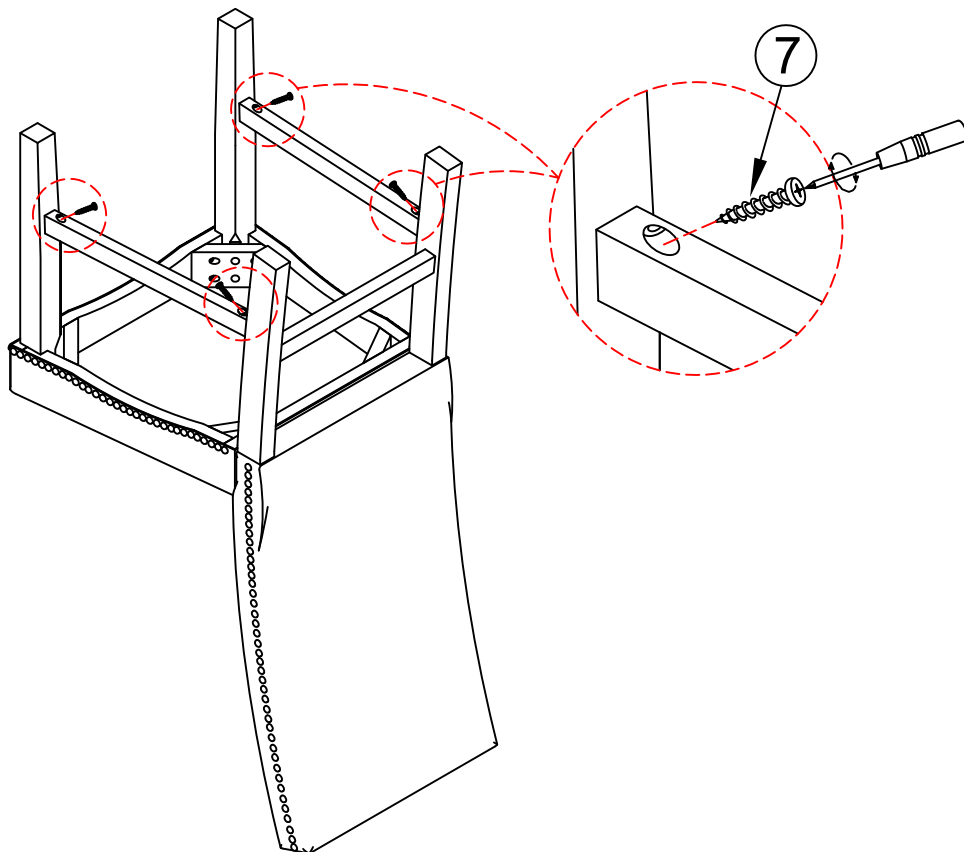
Step 2



Step 3

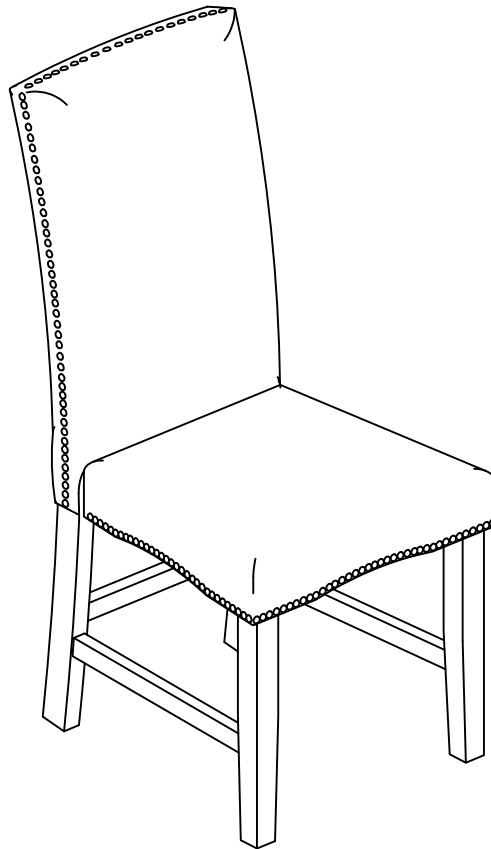


Step 4



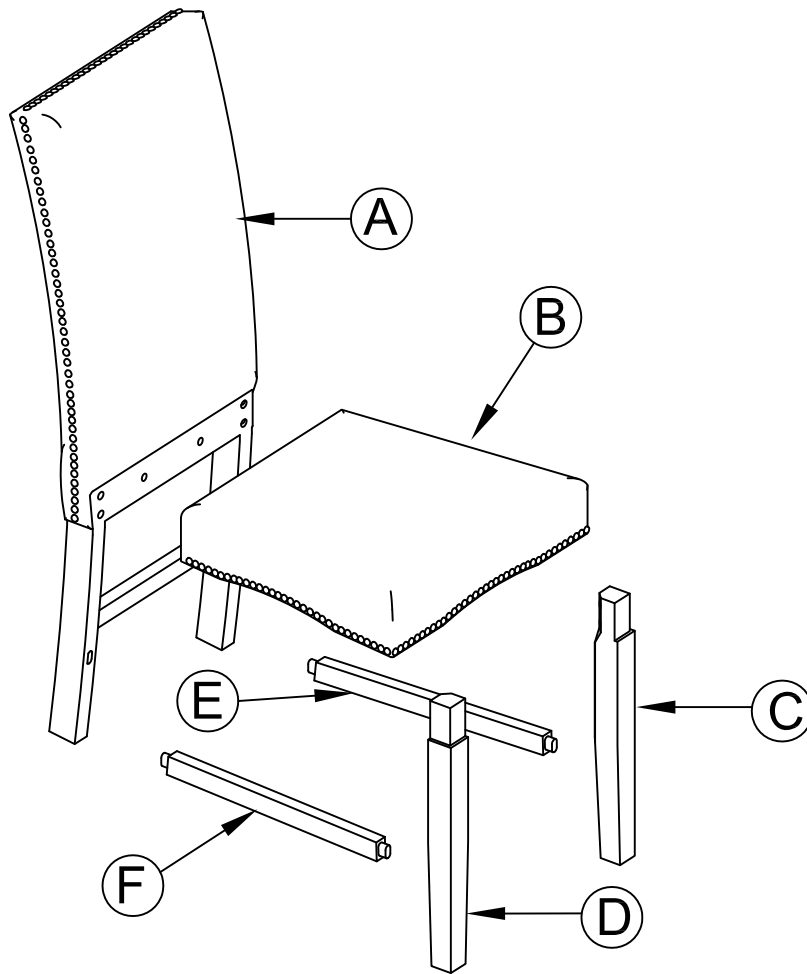
ASSEMBLY INSTRUCTIONS

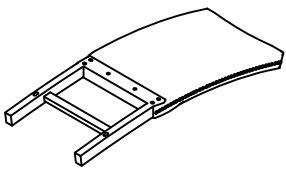
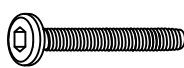
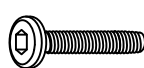
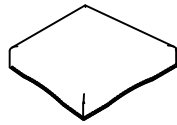
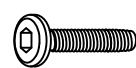

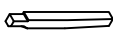

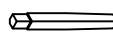

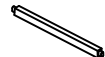
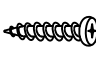
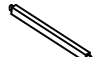
ITEM NOTE: WF303484 DINING CHAIR



IMPORTANT NOTE :

- 1 PLACE ALL PARTS ON A CLEAN AND SMOOTH SURFACE SUCH AS A RUG OR CARPET TO AVOID THE PARTS FROM BEING SCARFED .
- 2 BEFORE YOU BEGIN , KINDLY FOLLOW THE ASSEMBLY INSTRUCTIONS STEP BY STEP
- 3 DO NOT TIGHTEN ALL SCREWS AND BOLTS UNTILL THE CHAIR FULLY SET-UP

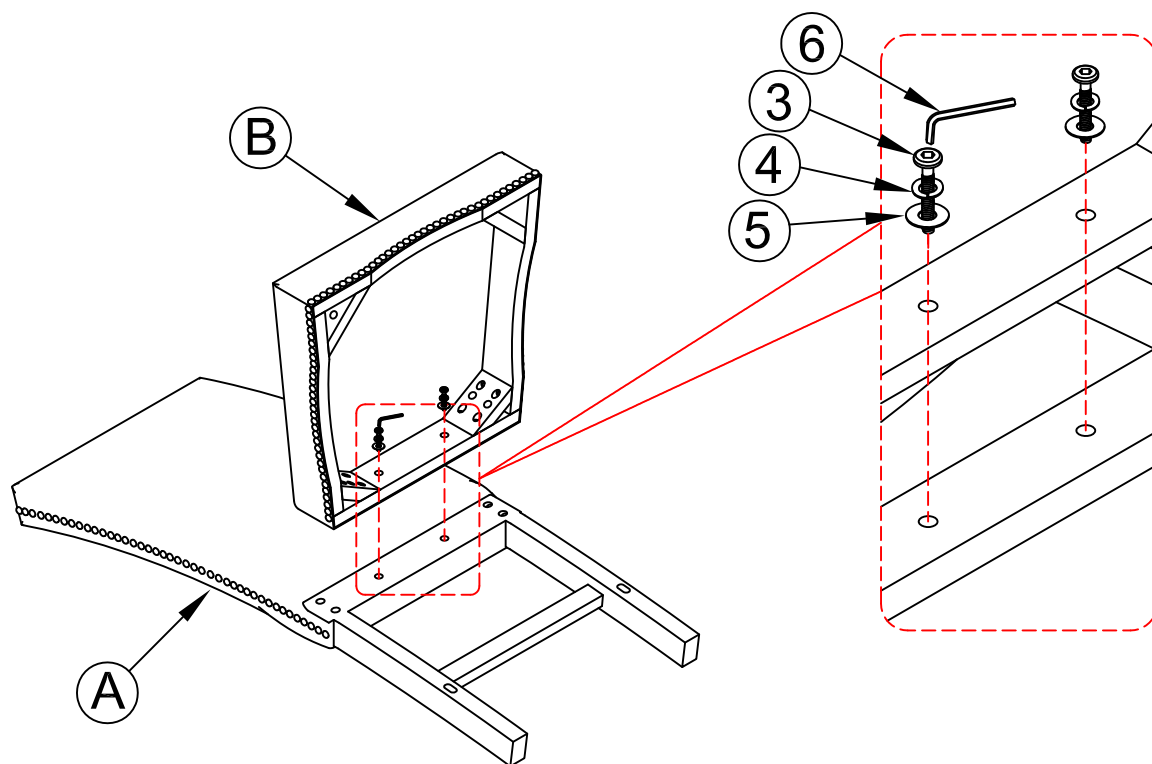


Part List For One			Hardware List For One		
No.	Hardware Description	Q'ty	No.	Hardware Description	Q'ty
A	 Backrest	1pc	1	 Bolt Ø1/4" x 70mm	4pcs
			2	 Bolt Ø1/4" x 50mm	4pcs
B	 Seat frame	1pc	3	 Bolt Ø1/4" x 40mm	2pcs
			4	 Lock washer Ø1/4" x11x1.5mm	10pcs
C	 Front leg	1pc	5	 Flat washer Ø1/4" x16 x1.5mm	10pcs
D	 Front leg	1pc	6	 Allen key 4 x 60 mm	1pc
E	 Side Support	1pc	7	 Screw #4 x 38 mm	4pcs
F	 Side Support	1pc			

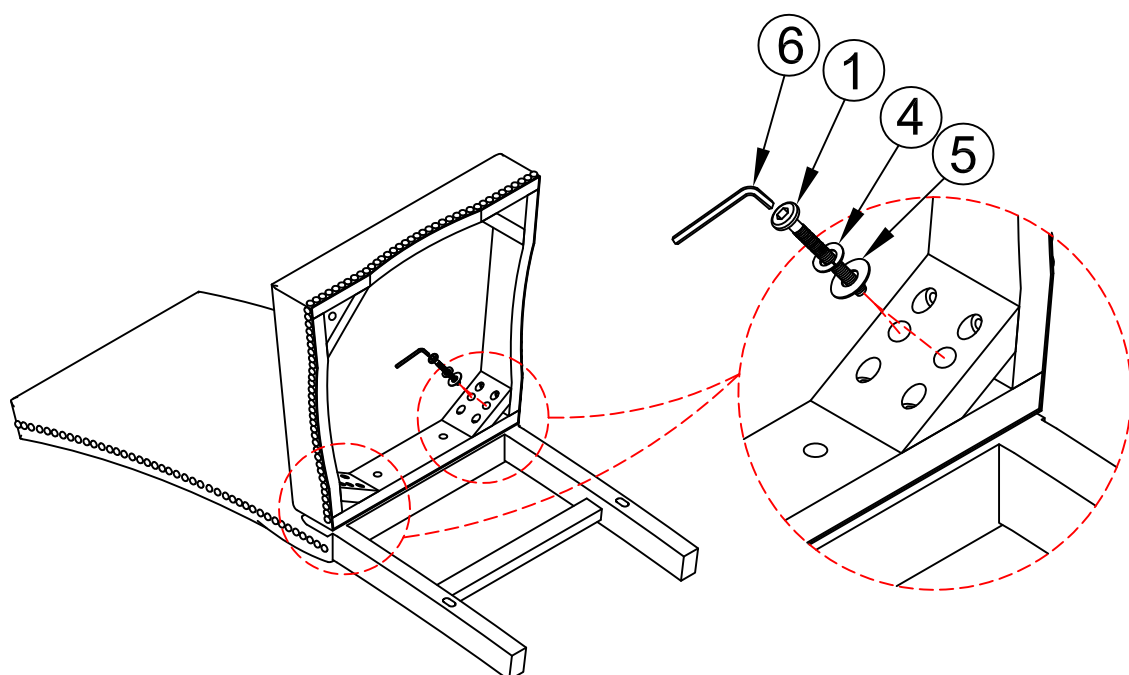
ASSEMBLY TOOLS REQUIRED (NOT INCLUDED)



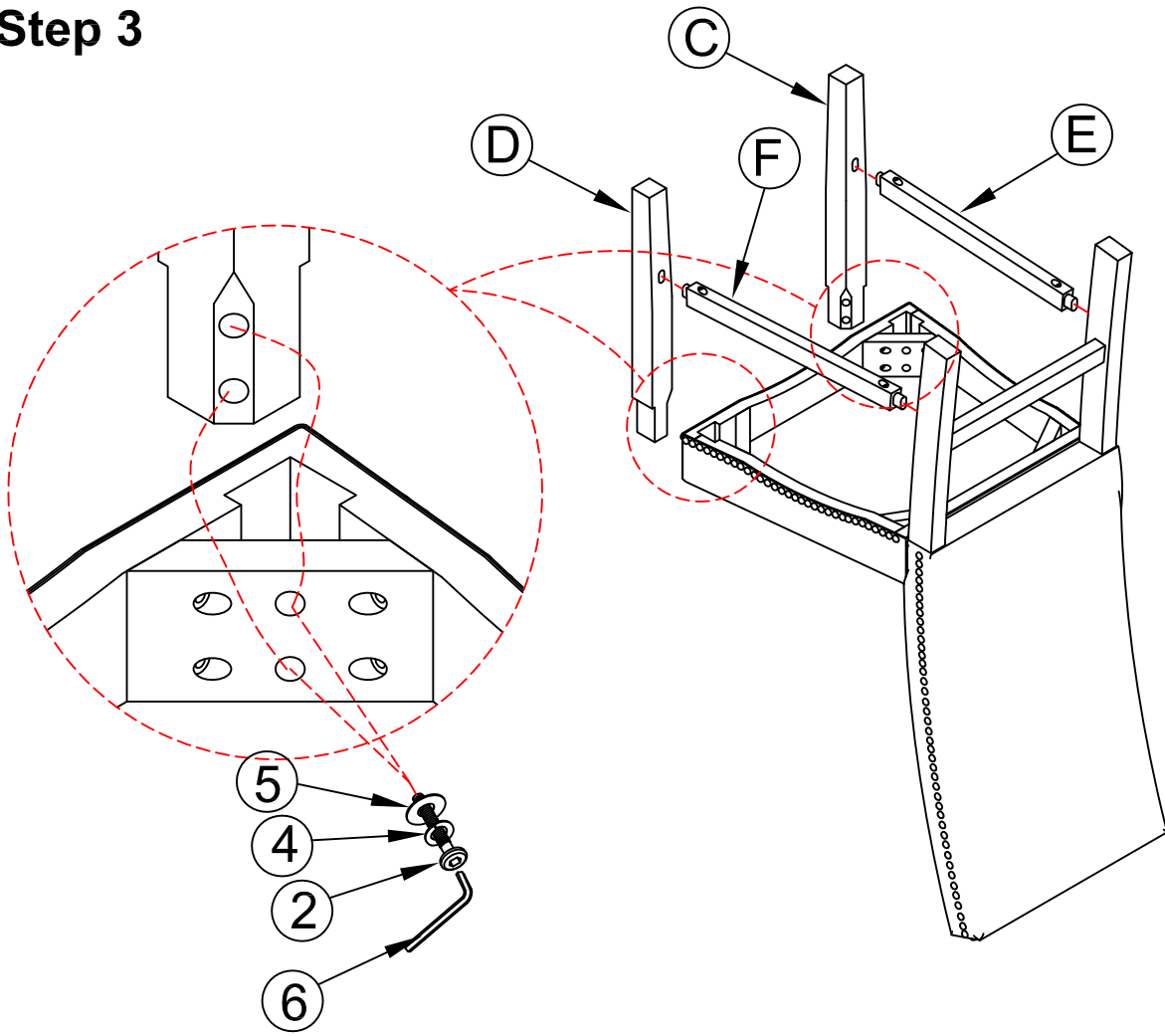
Step 1



Step 2



Step 3



Step 4

