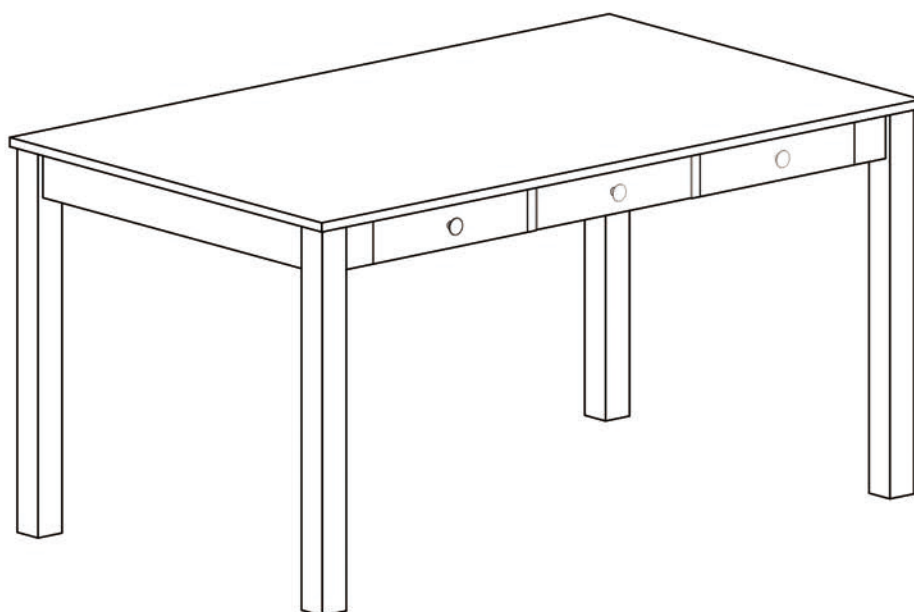


# ASSEMBLY INSTRUCTIONS

## DINING TABLE



**WF299295**

### **IMPORTANT NOTE:**

- PLACE ALL PARTS ON A CLEAN AND SMOOTH SURFACE SUCH AS A RUG OR CARPET TO AVOID THE PARTS FROM BEING SCRATCHED.
- BEFORE YOU BEGIN, KINDLY FOLLOW THE ASSEMBLY INSTRUCTIONS STEP BY STEP.
- DO NOT TIGHTEN ALL SCREWS AND BOLTS UNTIL THE TABLE IS FULLY SET-UP.

# CARTON CONTENT:

WF299295 :



1 x 1



2 x 4

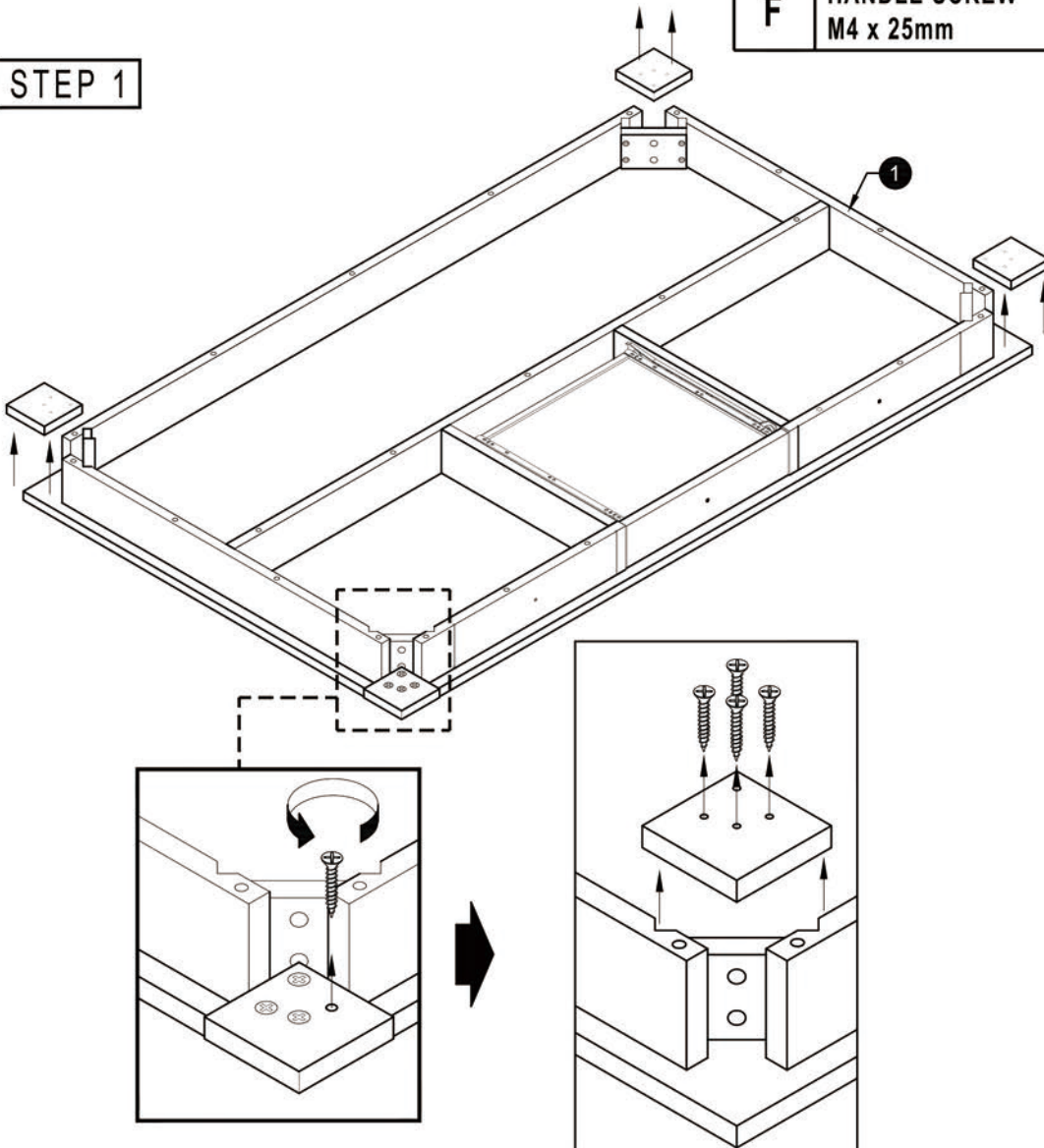
## TABLE PART LISTS

NO.	DESCRIPTION	SKETCH	QTY
1	TABLE TOP		1 PC
2	TABLE LEG		4 PCS

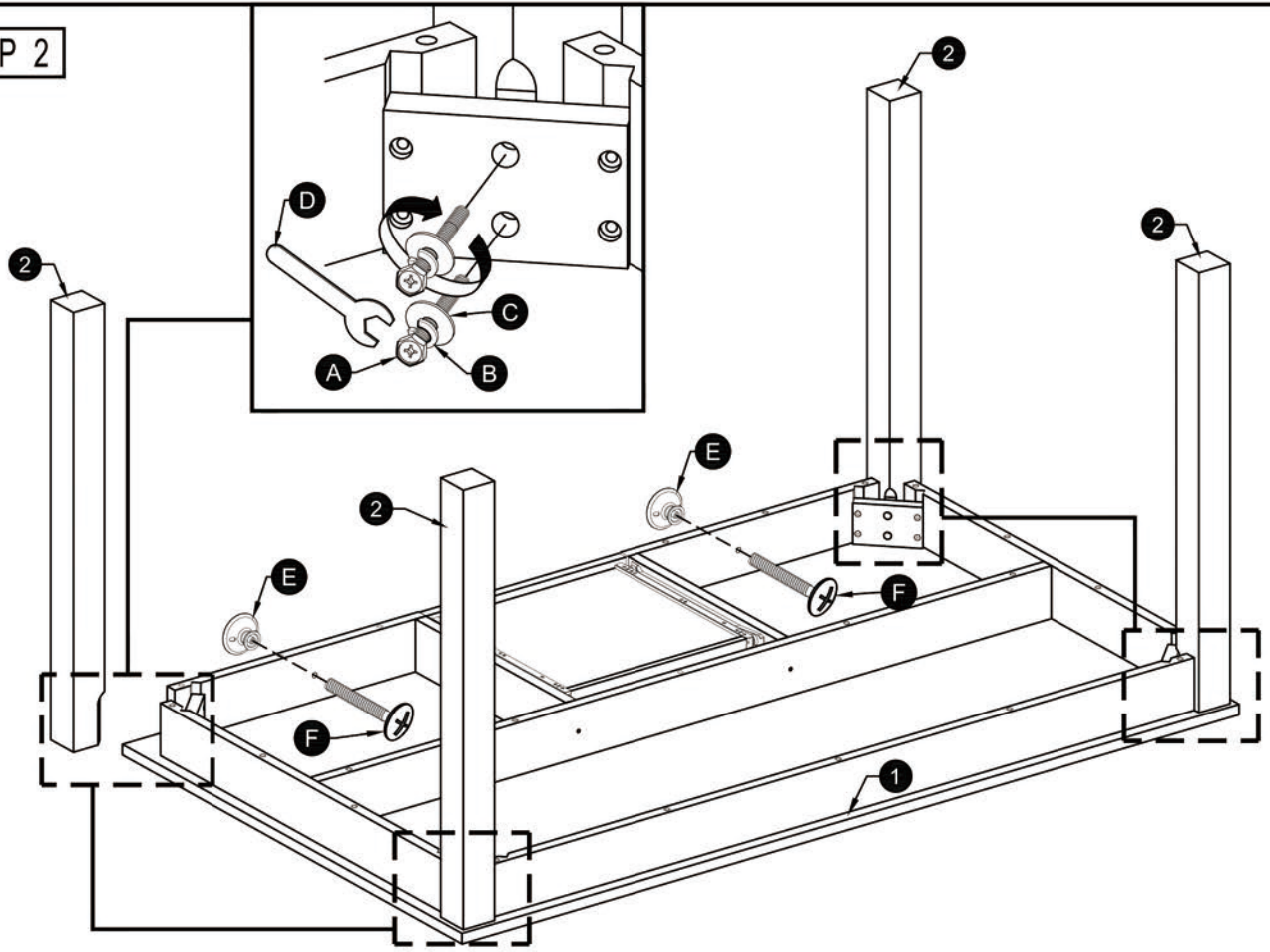
## TABLE HARDWARE LISTS

NO.	DESCRIPTION	SKETCH	QTY
A	HEX COMB 5/16 x 2 1/2"		8 PCS
B	SPRING WASHER 5/16"		8 PCS
C	FLAT WASHER 5/16"		8 PCS
D	SPANNER 12.8		1 PC
E	HANDLE		3 PCS
F	HANDLE SCREW M4 x 25mm		3 PCS

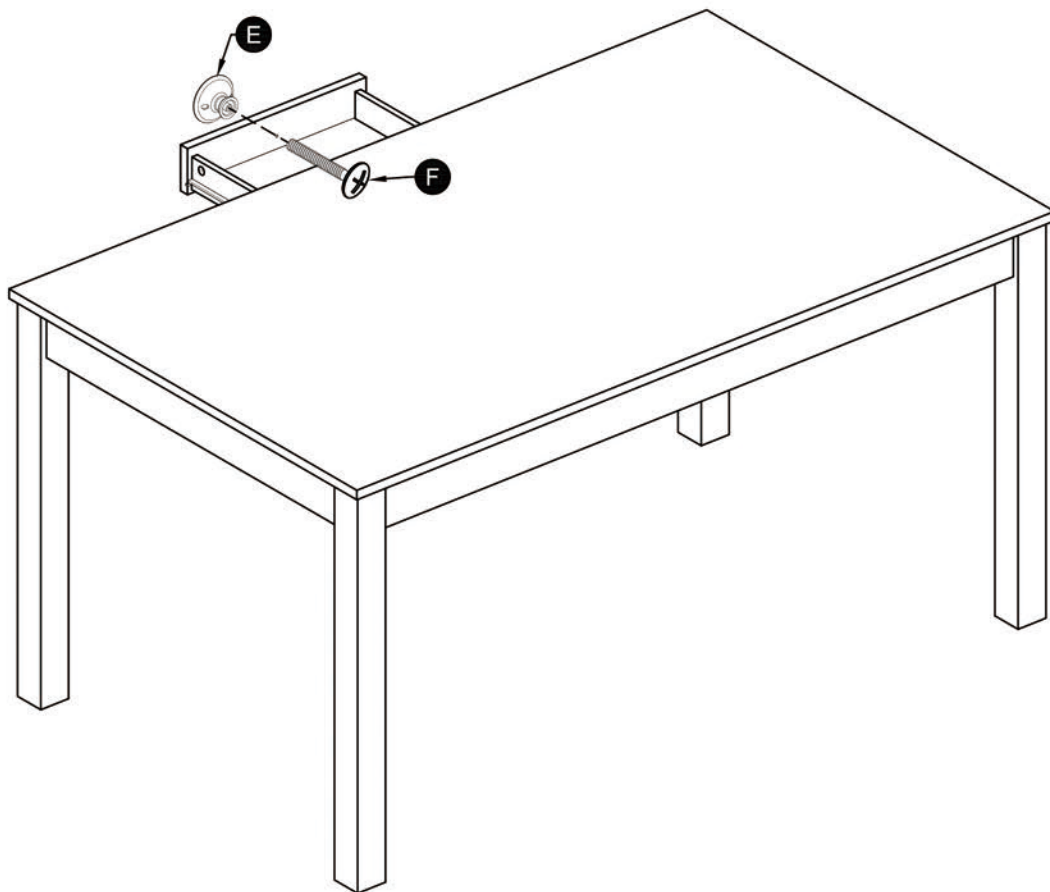
### STEP 1



STEP 2



STEP 3

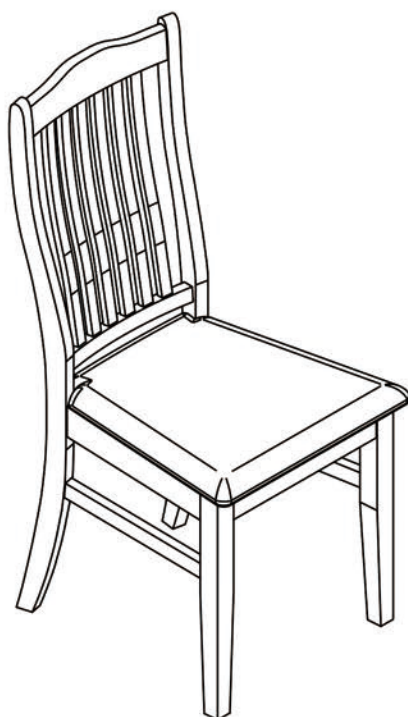


ASSEMBLY COMPLETE !



# ASSEMBLY INSTRUCTIONS

## DINING CHAIR



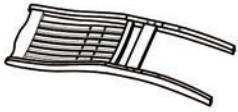
**WF299296**

### **IMPORTANT NOTE:**

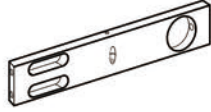
- PLACE ALL PARTS ON A CLEAN AND SMOOTH SURFACE SUCH AS A RUG OR CARPET TO AVOID THE PARTS FROM BEING SCRATCHED.
- BEFORE YOU BEGIN, KINDLY FOLLOW THE ASSEMBLY INSTRUCTIONS STEP BY STEP.
- DO NOT TIGHTEN ALL SCREWS AND BOLTS UNTIL THE CHAIR IS FULLY SET-UP.

# CARTON CONTENT:

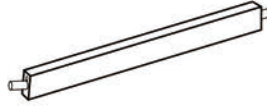
WF299296 :



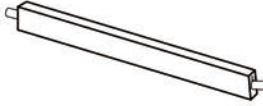
1 x 4



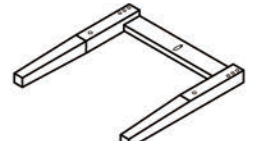
2 x 4



3 x 4



4 x 4



4 x 4



6 x 4

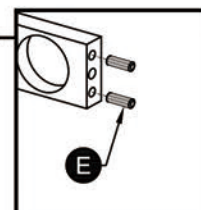
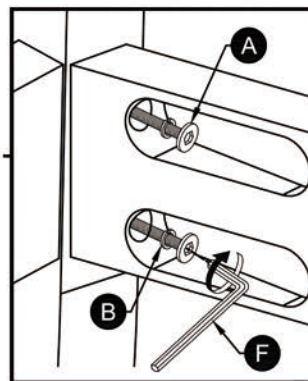
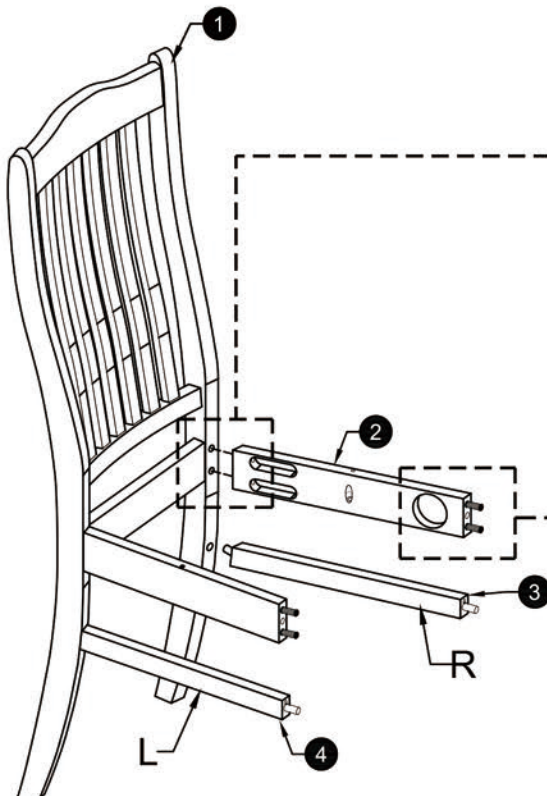
## CHAIR PART LISTS

NO.	DESCRIPTION	SKETCH	QTY
1	BACK LEG		4 PCS
2	SIDE RAIL		8 PCS
3	STRETCHER-R		4 PCS
4	STRETCHER-L		4 PCS
5	FRONT LEG		4 PCS
6	SEAT		4 PCS

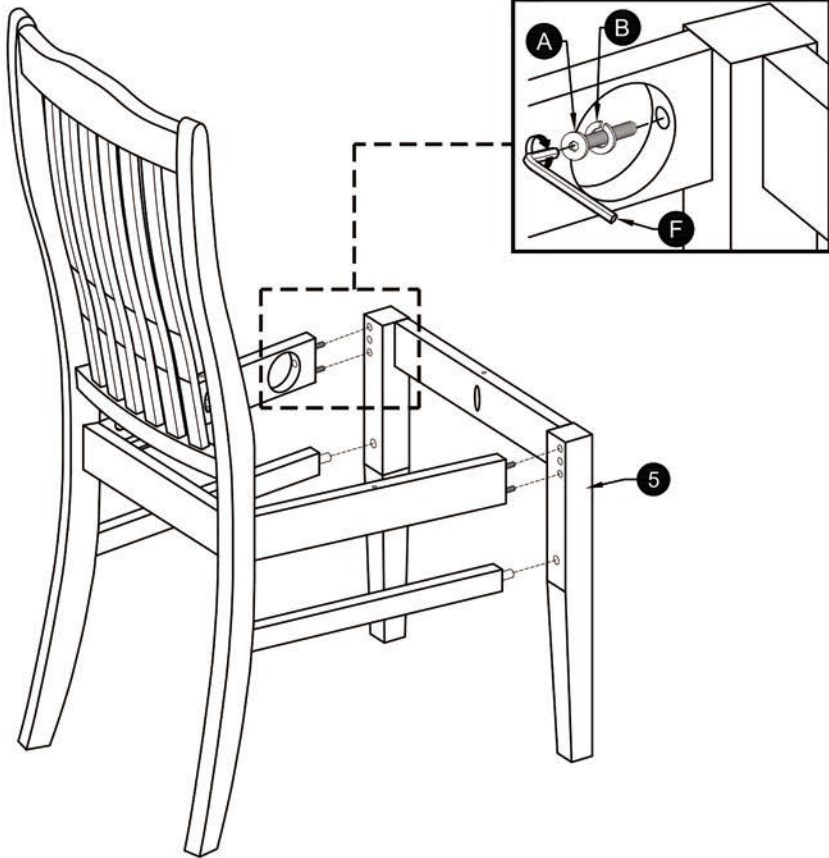
## CHAIR HARDWARE LISTS

NO.	DESCRIPTION	SKETCH	QTY
A	JCBC BOLT M6 x 45mm		24 PCS
B	SPRING WASHER 1/4"		24 PCS
C	C/B SCREW M4 x 30mm		12 PCS
D	C/B SCREW M4 x 45mm		16 PCS
E	WOOD DOWEL M8 x 30mm		16 PCS
F	ALLEN KEY M4		1 PC

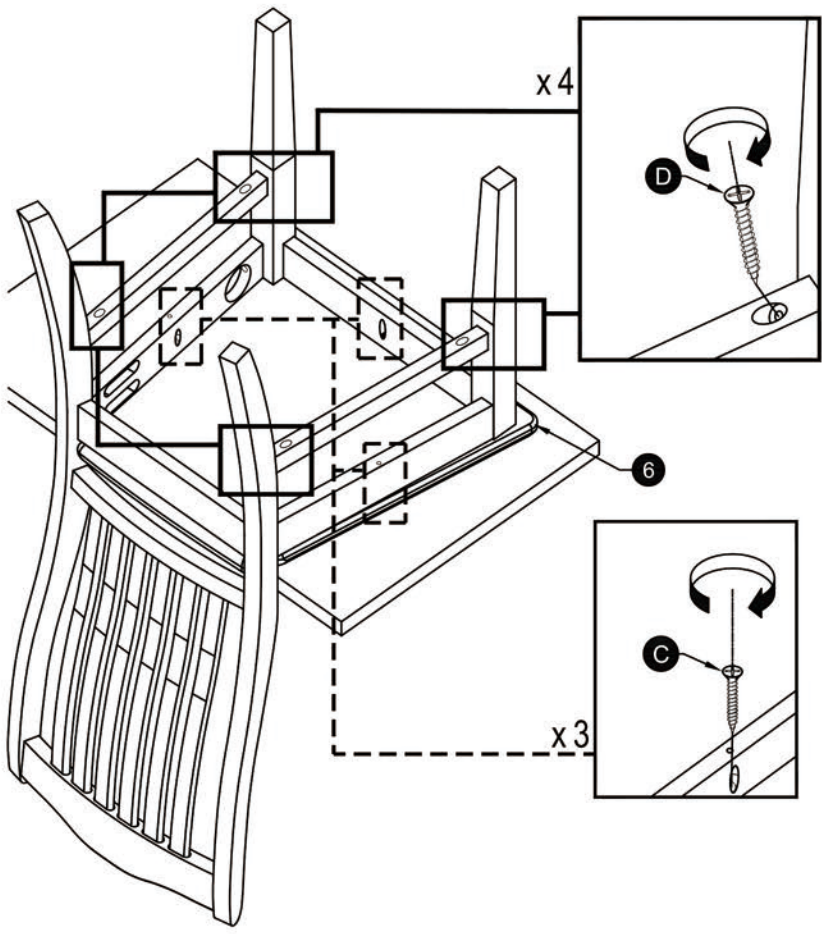
### STEP 1



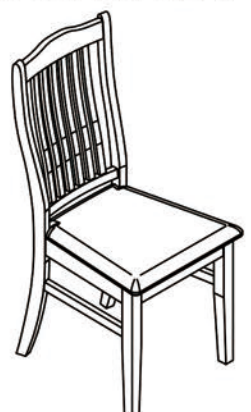
STEP 2



STEP 3

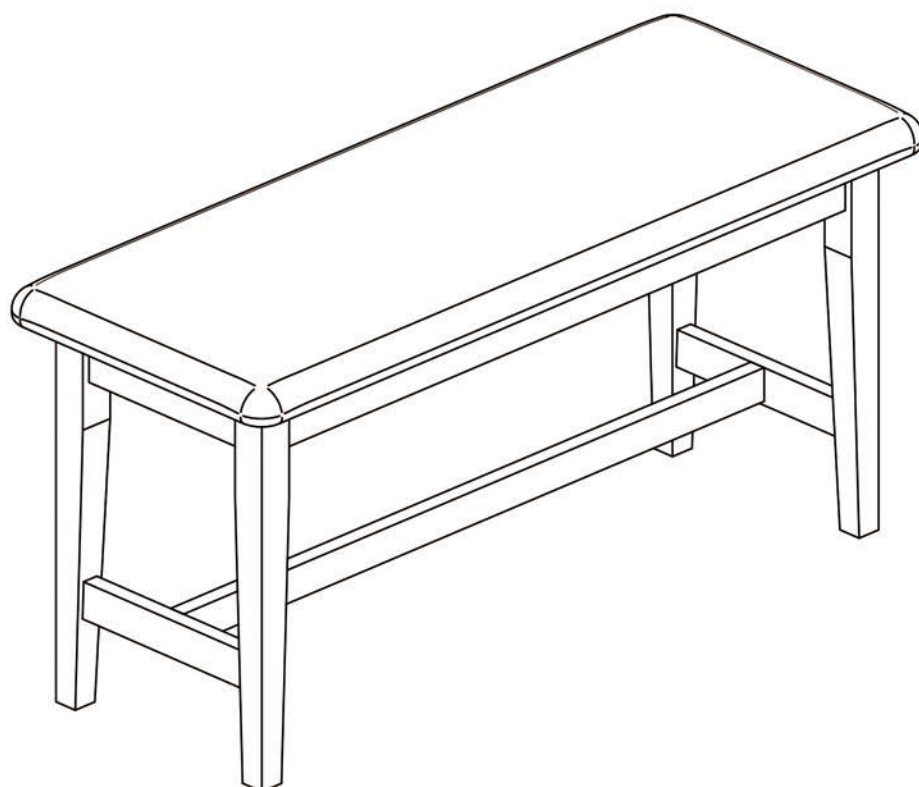


ASSEMBLY COMPLETE !



# ASSEMBLY INSTRUCTIONS

## DINING BENCH



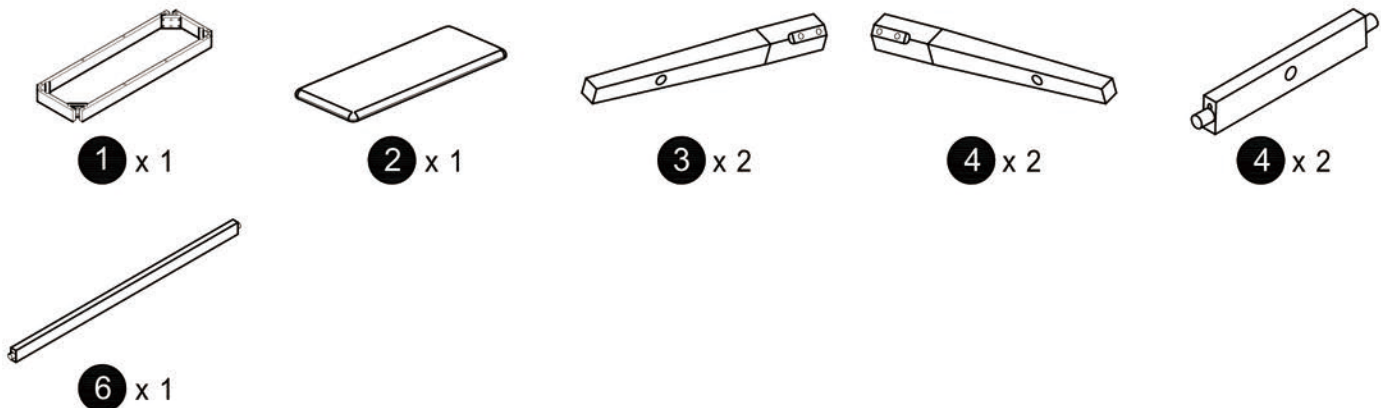
**WF299296**

### IMPORTANT NOTE:

- ⇨ PLACE ALL PARTS ON A CLEAN AND SMOOTH SURFACE SUCH AS A RUG OR CARPET TO AVOID THE PARTS FROM BEING SCRATCHED.
- ⇨ BEFORE YOU BEGIN, KINDLY FOLLOW THE ASSEMBLY INSTRUCTIONS STEP BY STEP.
- ⇨ DO NOT TIGHTEN ALL SCREWS AND BOLTS UNTIL THE BENCH IS FULLY SET-UP.

## CARTON CONTENT:

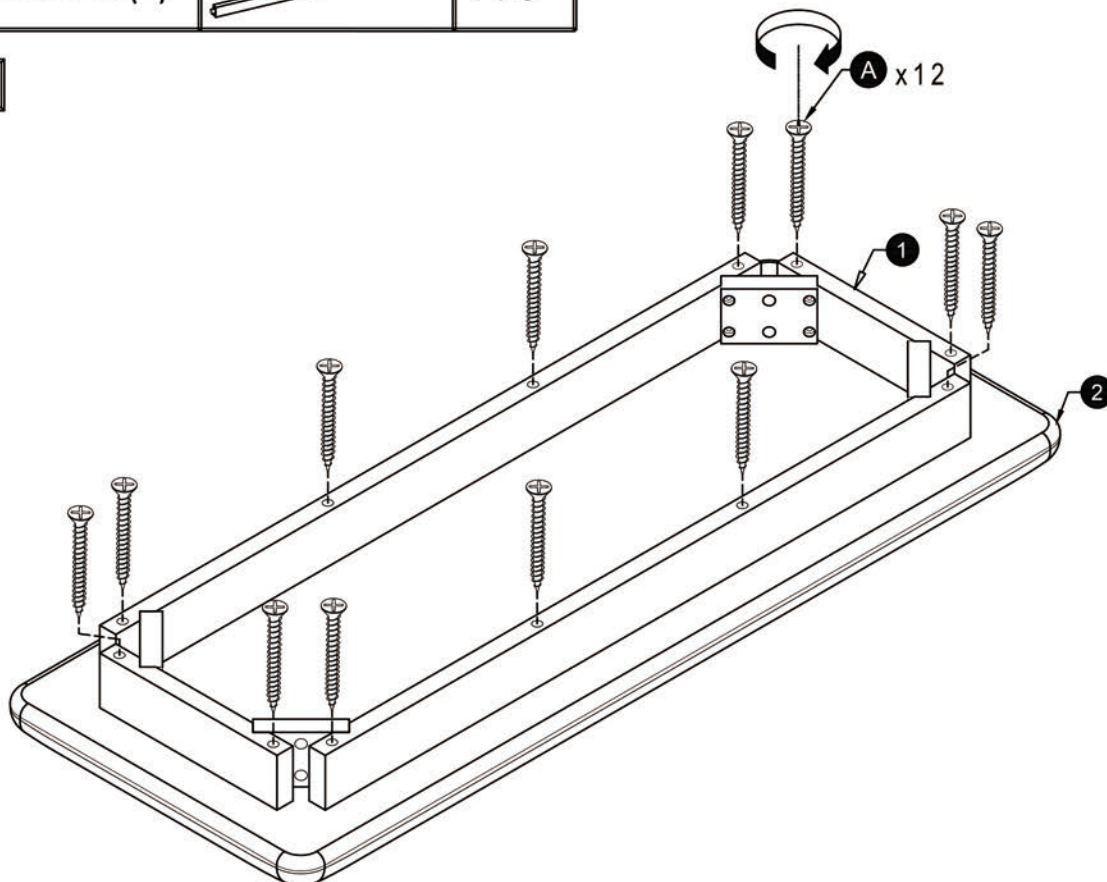
WF299296 :



CHAIR PART LISTS			
NO.	DESCRIPTION	SKETCH	QTY
1	BOX SEAT		1 PC
2	SEAT		1 PC
3	LEG (L)		2 PCS
4	LEG (R)		2 PCS
5	STRETCHER (S)		2 PCS
6	STRETCHER (L)		1 PC

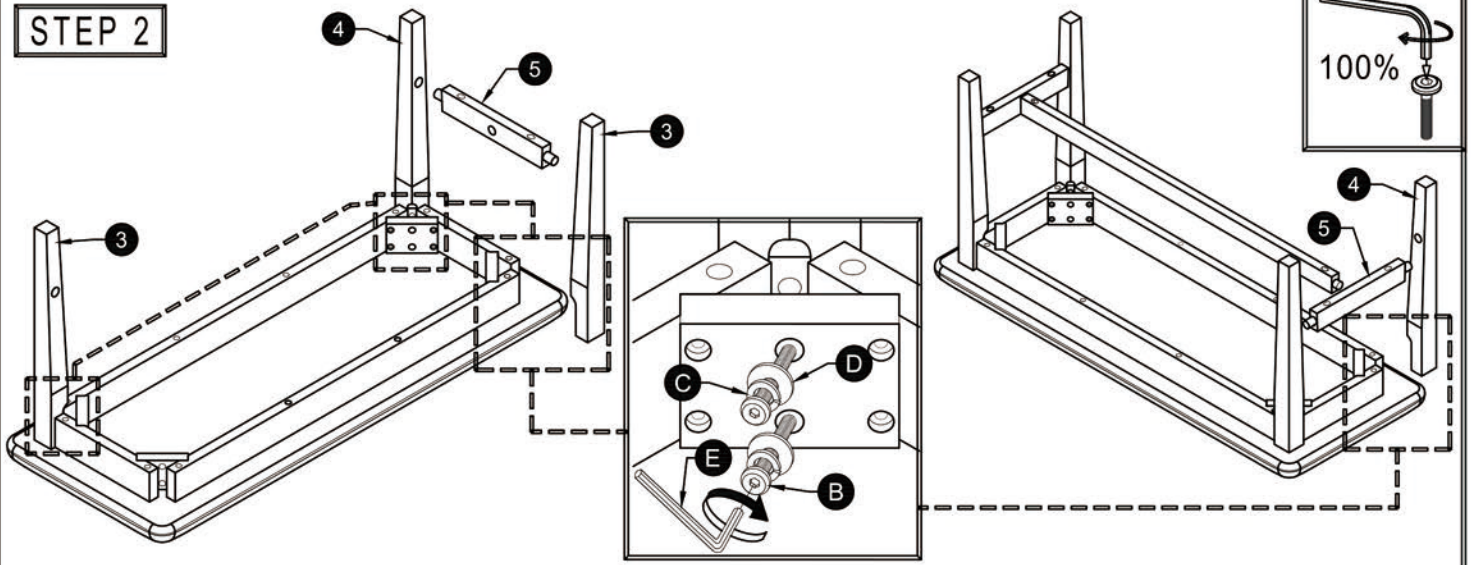
CHAIR HARDWARE LISTS			
NO.	DESCRIPTION	SKETCH	QTY
A	C/B SCREW M4 x 45mm		18 PCS
B	JCBC BOLT M6 x 70mm		8 PCS
C	SPRING WASHER 1/4"		8 PCS
D	FLAT WASHER 1/4"		8 PCS
E	ALLEN KEY M4		1 PC

### STEP 1

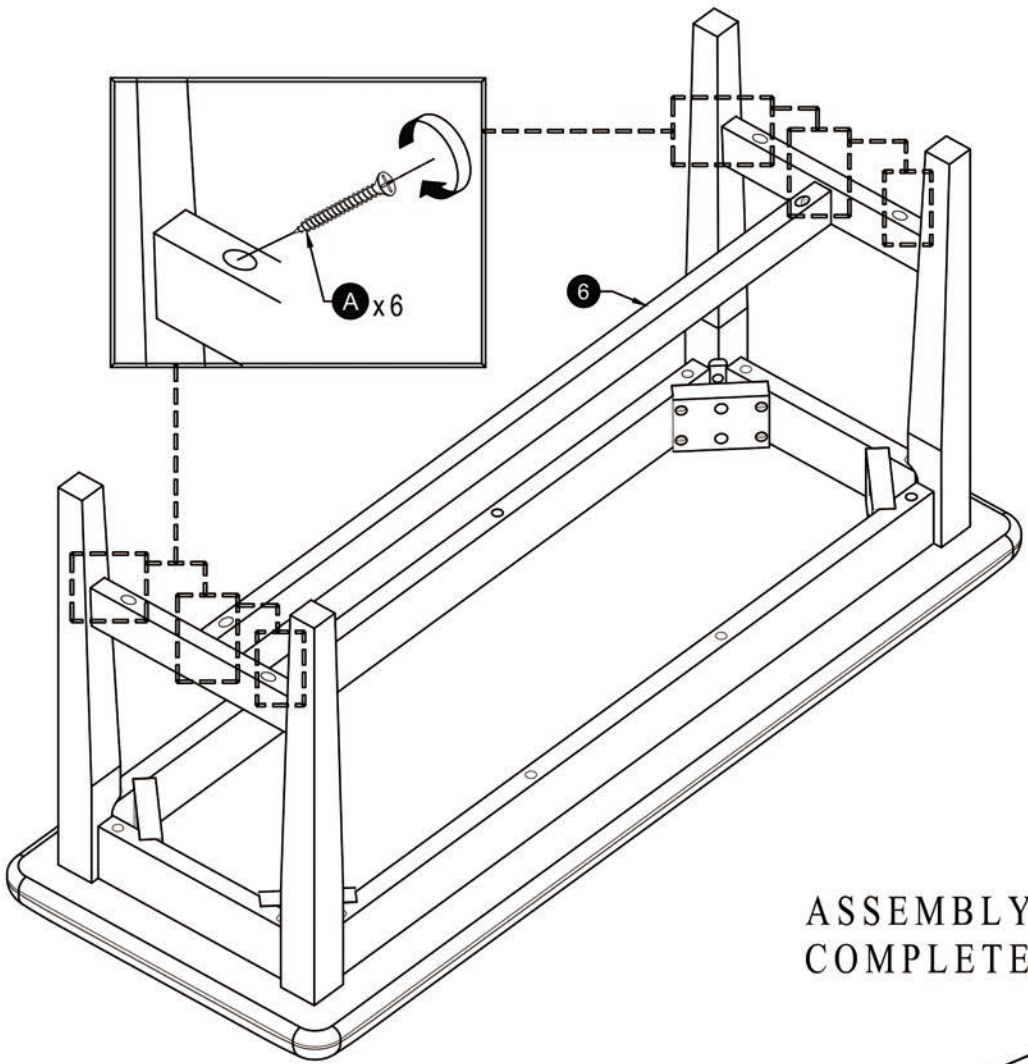




STEP 2



STEP 3



ASSEMBLY  
COMPLETE !

