

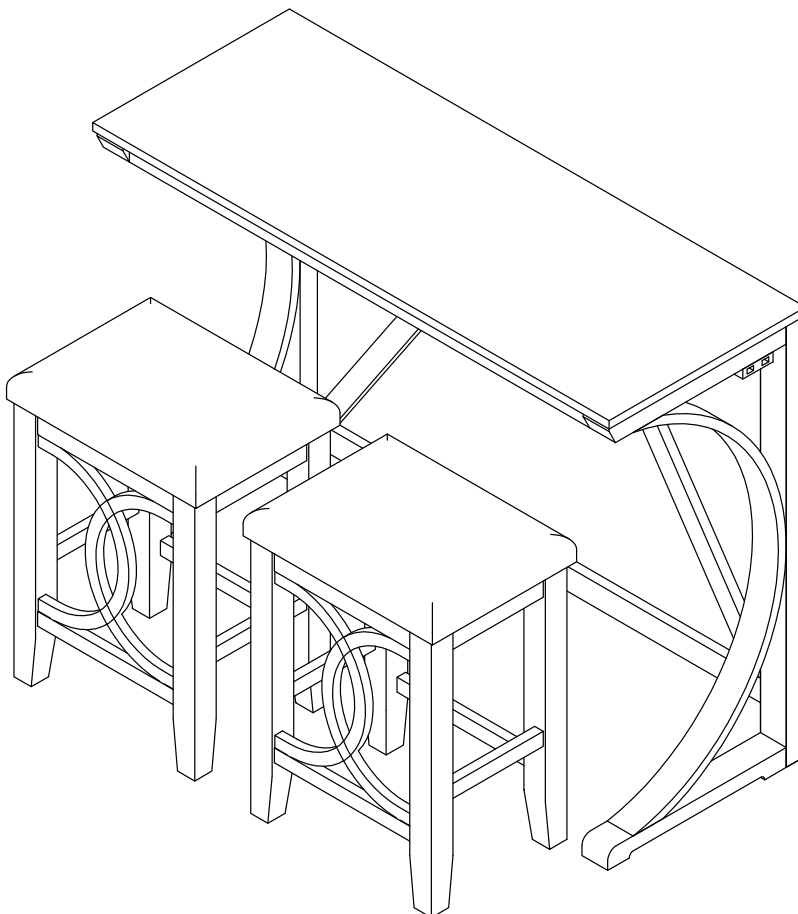
Assembly Instructions

ITEM NO. WF 298225
DINING SET WITH USB PORT

Thank you for purchasing this quality product. Be sure to check all packing materials carefully for small parts, which may have come loose inside the carton during shipment. Identify and count all items and compare with the PARTS LIST and/or HARDWARE LIST shown below.

Caution: Please read the instructions thoroughly before assembly.

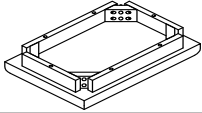
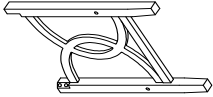
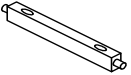
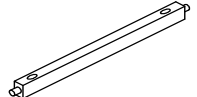
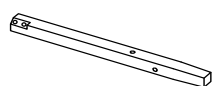
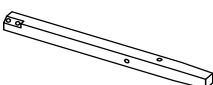
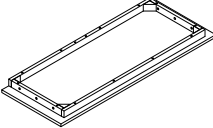
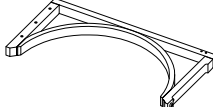
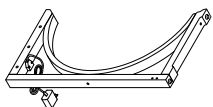
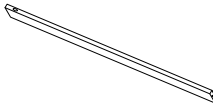
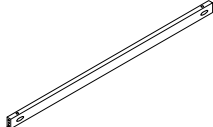
1. We recommend that you assemble this product with the assistance of another person; this will make the assembly easier, and will help eliminate damage to the product or injury to persons during assembly.
2. Please do not over tighten screws or bolts until the assembly is completed.
3. Please put all parts on a non-abrasive floor before assembly, and follow the assembly steps to assemble your newly purchased product correctly and efficiently.



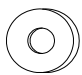

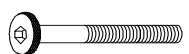




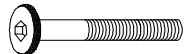


Assembly Instructions

ITEM NO. WF 298225
DINING SET WITH USB PORT

PARTS LIST

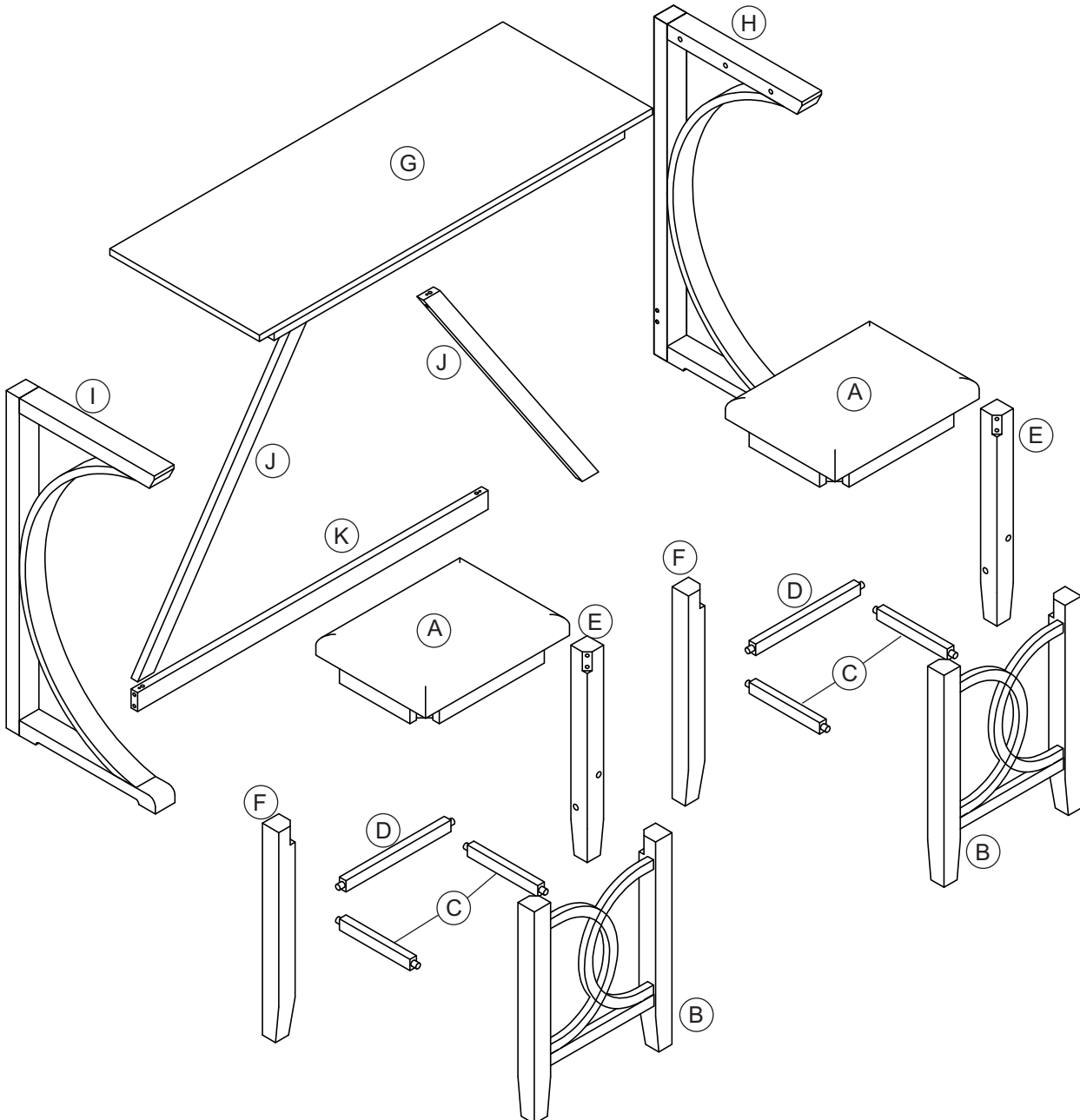
NO.	COMPONENT	SKETCH	QTY.
A	CUSHION SEAT		2 PCS
B	LEG FRAME		2 PCS
C	SHORT SIDE STRETCHER		4 PCS
D	LONG SIDE STRETCHER		2 PCS
E	LEG (Right)		2 PCS
F	LEG (Left)		2 PCS
G	TABLE TOP		1 PC
H	LEG (Left)		1 PC
I	LEG (Right)		1 PC
J	SUPPORT ROD		2 PCS
K	TABLE STRETCHER		1 PC

HARDWARE LIST

NO.	COMPONENT	SKETCH	QTY.
1	FLAT WASHER 1/4" DIA.		16 PCS
2	SPRING WASHER 1/4" DIA.		16 PCS
3	BOLT 1/4" x 2 1/4"		16 PCS
4	WOOD SCREW #8 x 1 3/4" L		12 PCS
5	ALLEN KEY M4		1 PC
6	FLAT WASHER 5/16" DIA.		6 PCS
7	SPRING WASHER 5/16" DIA.		6 PCS
8	BOLT 5/16" x 2"		6 PCS
9	WOOD SCREW #8 x 1 3/5" L		6 PCS
10	WOODEN DOWEL #8 x 30		8 PCS

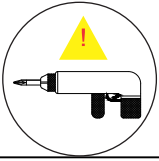
Assembly Instructions

ITEM NO. WF 298225
DINING SET WITH USB PORT



Assembly Instructions

ITEM NO. WF 298225
DINING SET WITH USB PORT

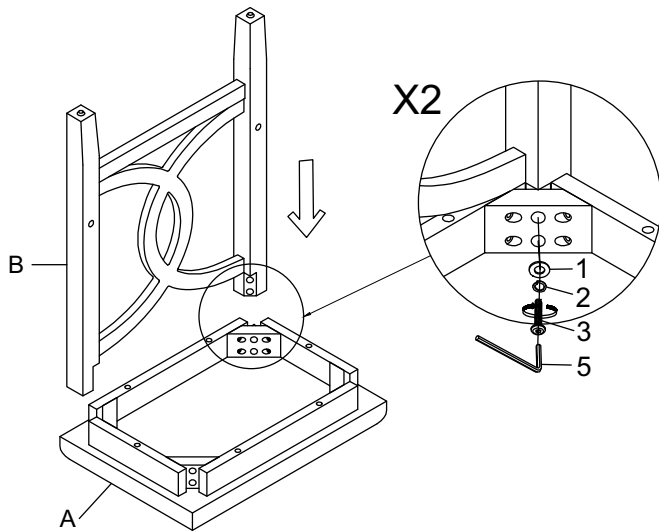


ASSEMBLY TOOLS REQUIRED (NOT INCLUDED)



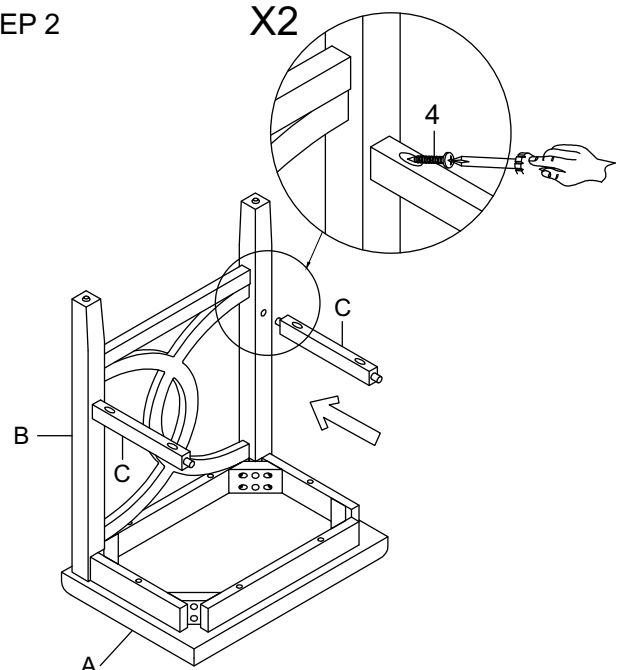
PLEASE BE CAREFUL DO NOT DAMAGE THE HOLE POSITION WHEN YOU USE POWERTOOLS!

STEP 1



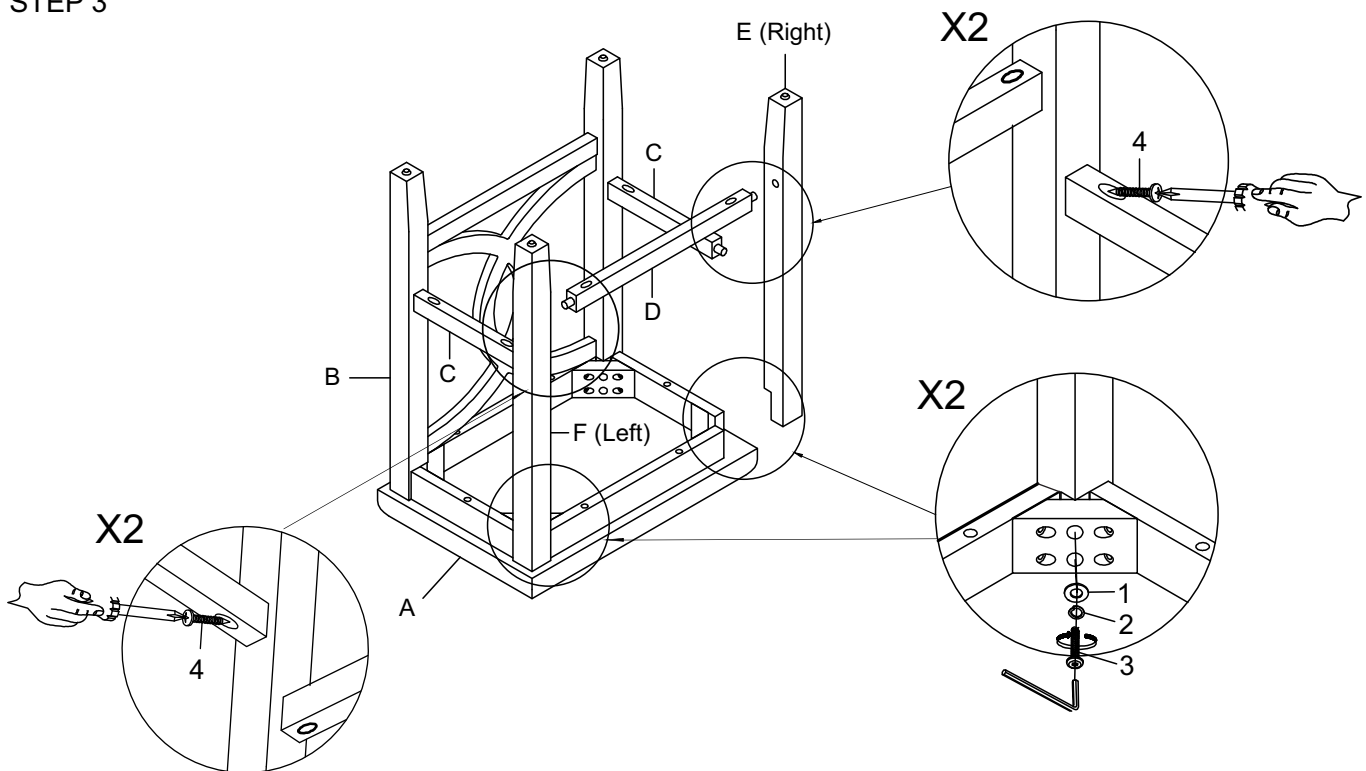
A x1 B x1 ①x2 ②x2 ③x2 ⑤x1

STEP 2



C x2 ④x2

STEP 3



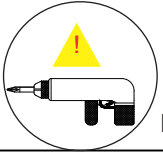
E x1 F x1 D x1 ①x2 ②x2 ③x2 ④x4 ⑤x1

MADE IN VIETNAM

PAGE: 4 OF 5

Assembly Instructions

ITEM NO. WF 298225
DINING SET WITH USB PORT

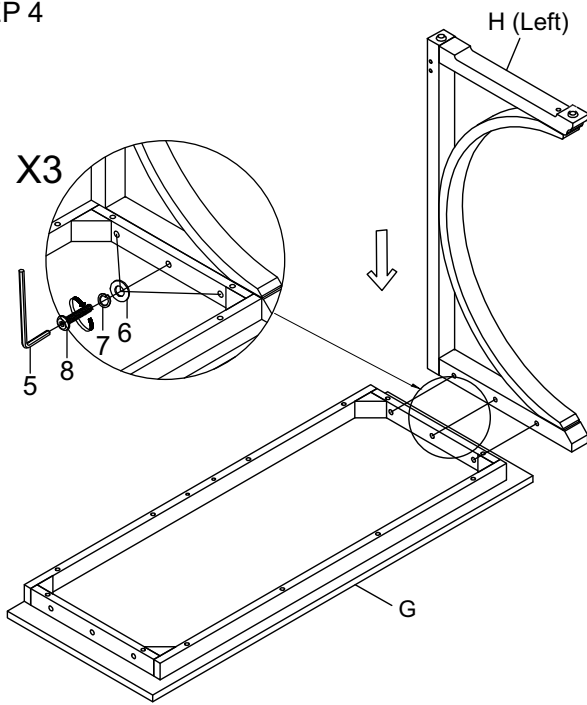


ASSEMBLY TOOLS REQUIRED (NOT INCLUDED)



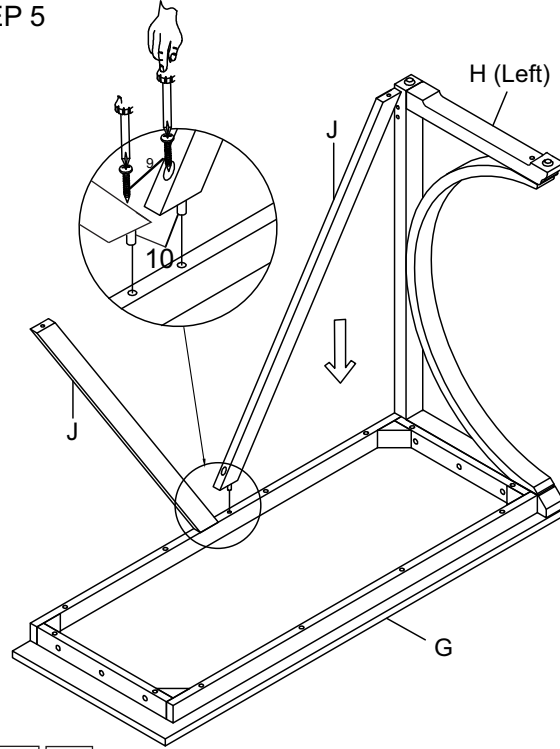
PLEASE BE CAREFUL DO NOT DAMAGE THE HOLE POSITION WHEN YOU USE POWERTOOLS!

STEP 4



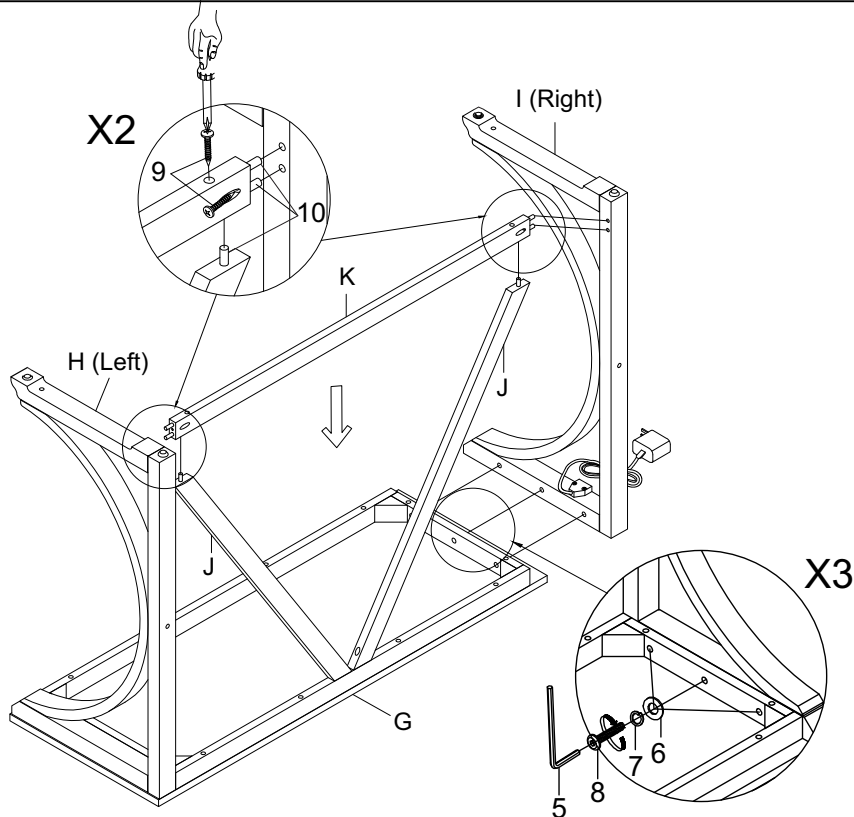
G x1 H x1 6 x3 7 x3 8 x3 5 x1

STEP 5



J x2 9 x2 10 x2

STEP 6



I x1 K x1 5 x1 6 x3 7 x3 8 x3 9 x4 10 x6

MADE IN VIETNAM

PAGE: 5 OF 5