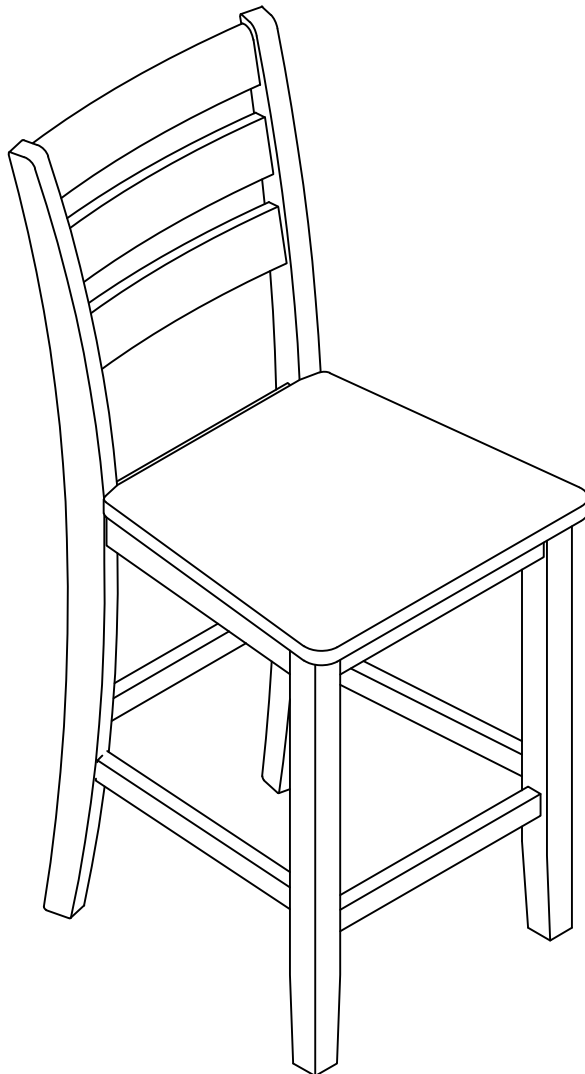


ASSEMBLY INSTRUCTIONS

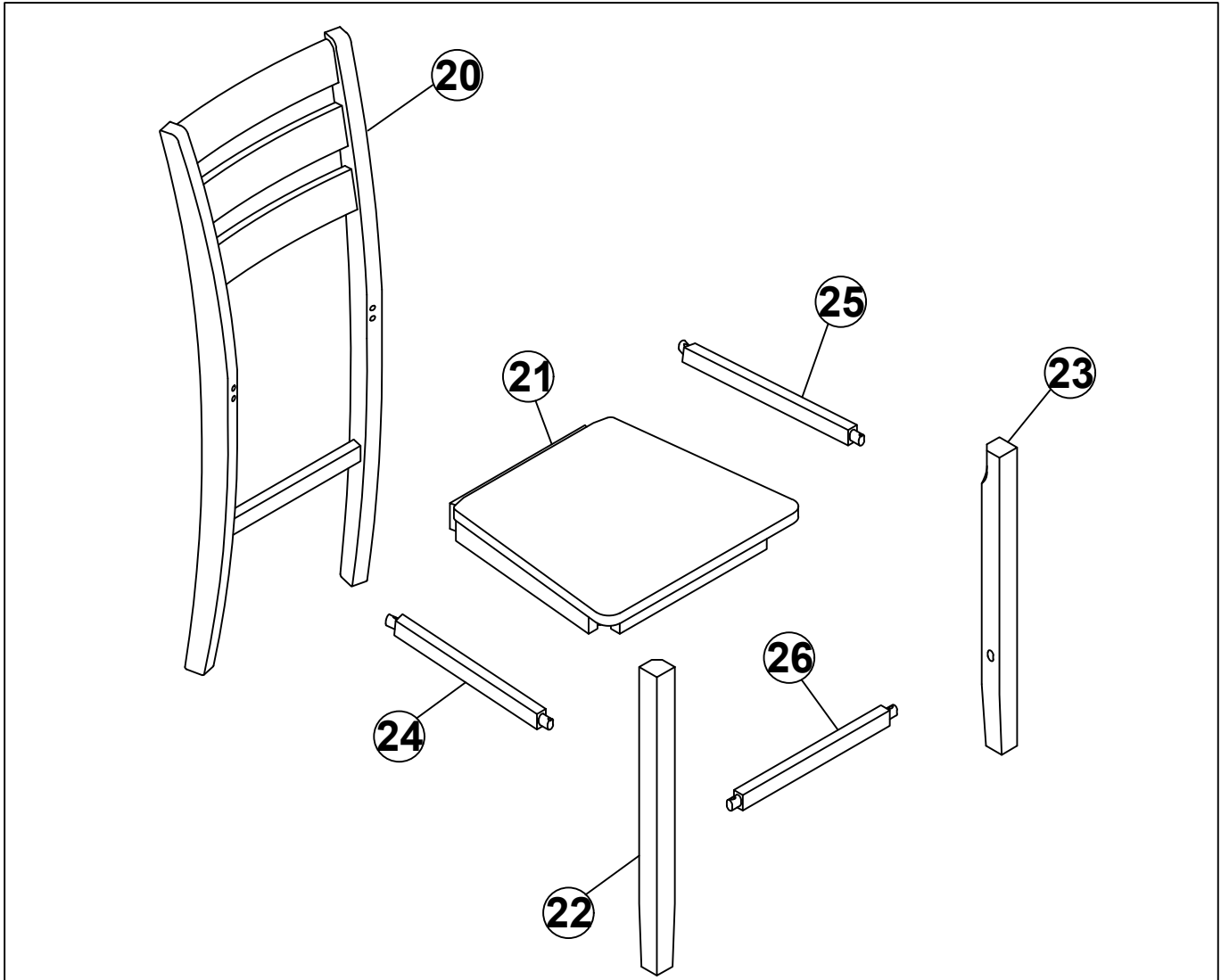
DINING CHAIR



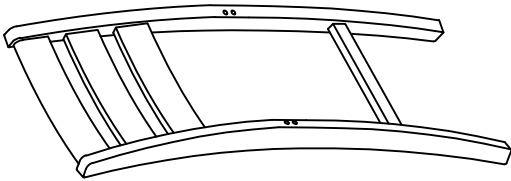
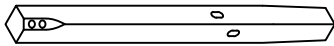
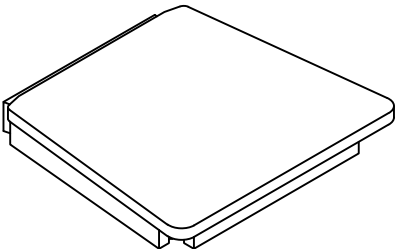
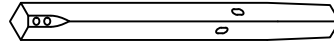

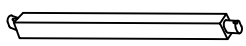
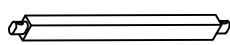
WF293375

IMPORTANT NOTE :

- 1 PLACE ALL PARTS ON A CLEAN AND SMOOTH SURFACE SUCH AS A RUG OR CARPET TO AVOID THE PARTS FROM BEING SCRATCHED.**
- 2 BEFORE YOU BEGIN , KINDLY FOLLOW THE ASSEMBLY INSTRUCTIONS STEP BY STEP.**
- 3 DO NOT TIGHTEN ALL SCREWS AND BOLTS UNTIL THE CHAIR IS FULLY SET-UP**








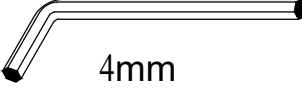


Part List For One Chair

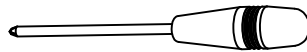
| | |
|--|---|
| <p>20</p>  <p>BACK FRAME (1pc)</p> | <p>22</p>  <p>LEGS CHAIR (1pc)</p> |
| <p>21</p>  <p>SEAT FRAME (1pc)</p> | <p>23</p>  <p>LEGS CHAIR (1pc)</p> |
| | <p>24</p>  <p>STRETCHER (1pc)</p> |
| | <p>25</p>  <p>STRETCHER (1pc)</p> |
| | <p>26</p>  <p>STRETCHER (1pc)</p> |

ASSEMBLY INSTRUCTIONS

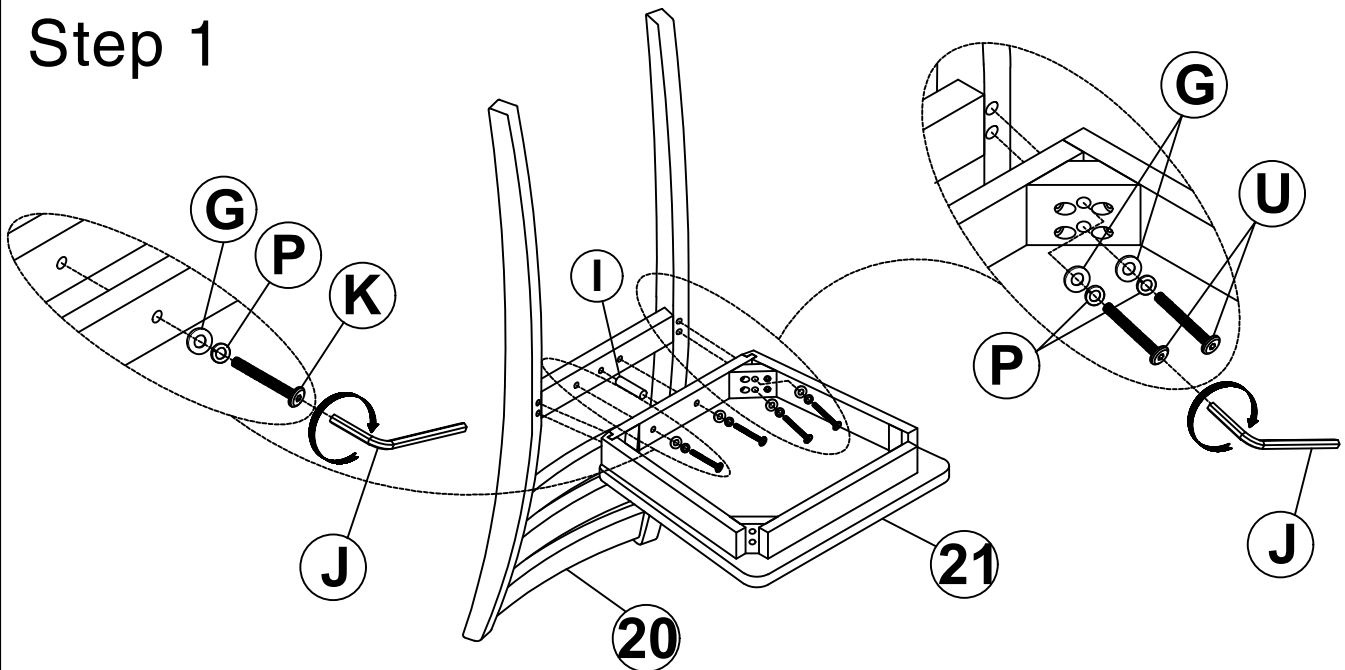
Hardware List For One Chair







| | | | |
|----------|--|----------|--|
| U |  Ø1/4" x 75mm BOLT (4pcs) | G |  Ø1/4" x 19mm FLAT WASHER (10pcs) |
| C |  Ø1/4" x 55mm BOLT (4pcs) | V |  Ø4" x 38mm SCREW (6pcs) |
| K |  Ø1/4" x 35mm BOLT (2pcs) | I |  Ø10" x 30mm WOODEN PEGS (1pc) |
| P |  Ø1/4" x 13mm SPRING WASHER (10pcs) | J |  4mm ALLENKEY (1pc) |

ASSEMBLY TOOLS REQUIRED (NOT INCLUDED)



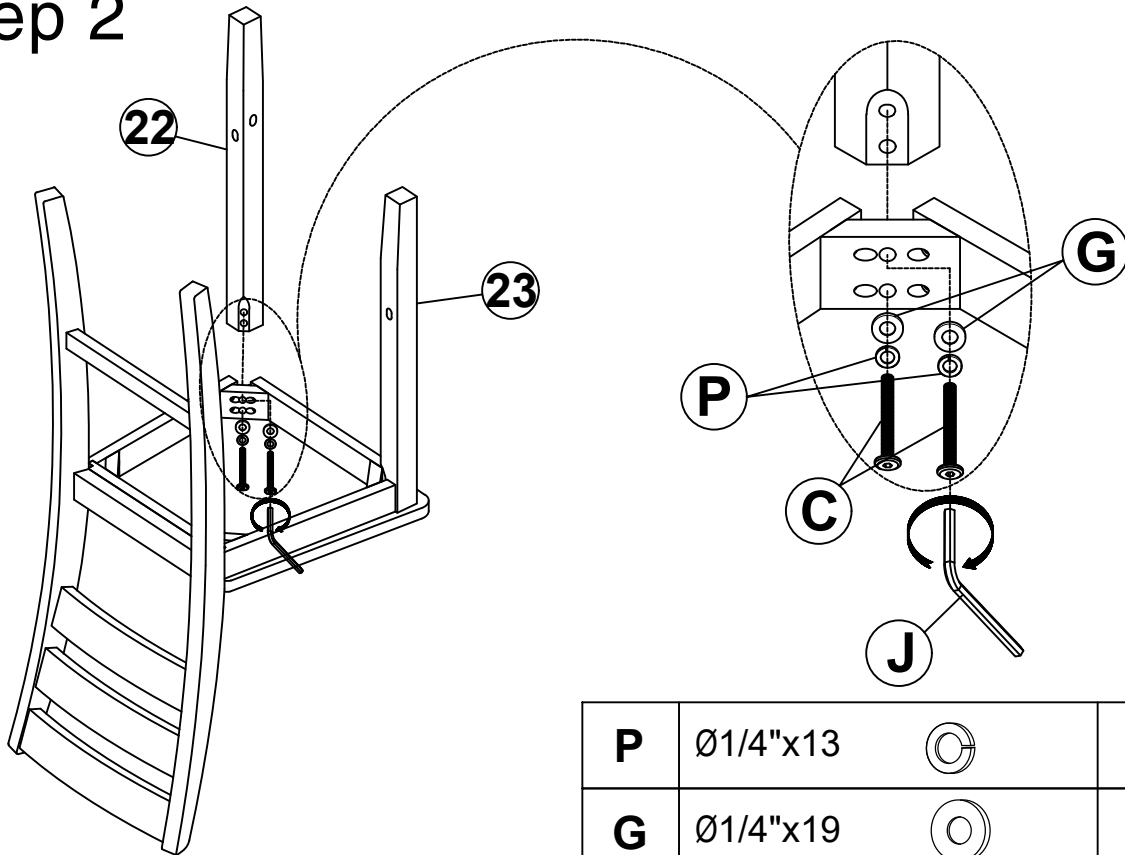
Step 1







| | | | | | | | |
|----------|---------|---|------|----------|----------|---|------|
| I | Ø10x30 |  | 1PC | P | Ø1/4"x13 |  | 6PCS |
| U | 1/4"x75 |  | 4PCS | G | Ø1/4"x19 |  | 6PCS |
| K | 1/4"x35 |  | 2PCS | J | 4x58 |  | 1PC |

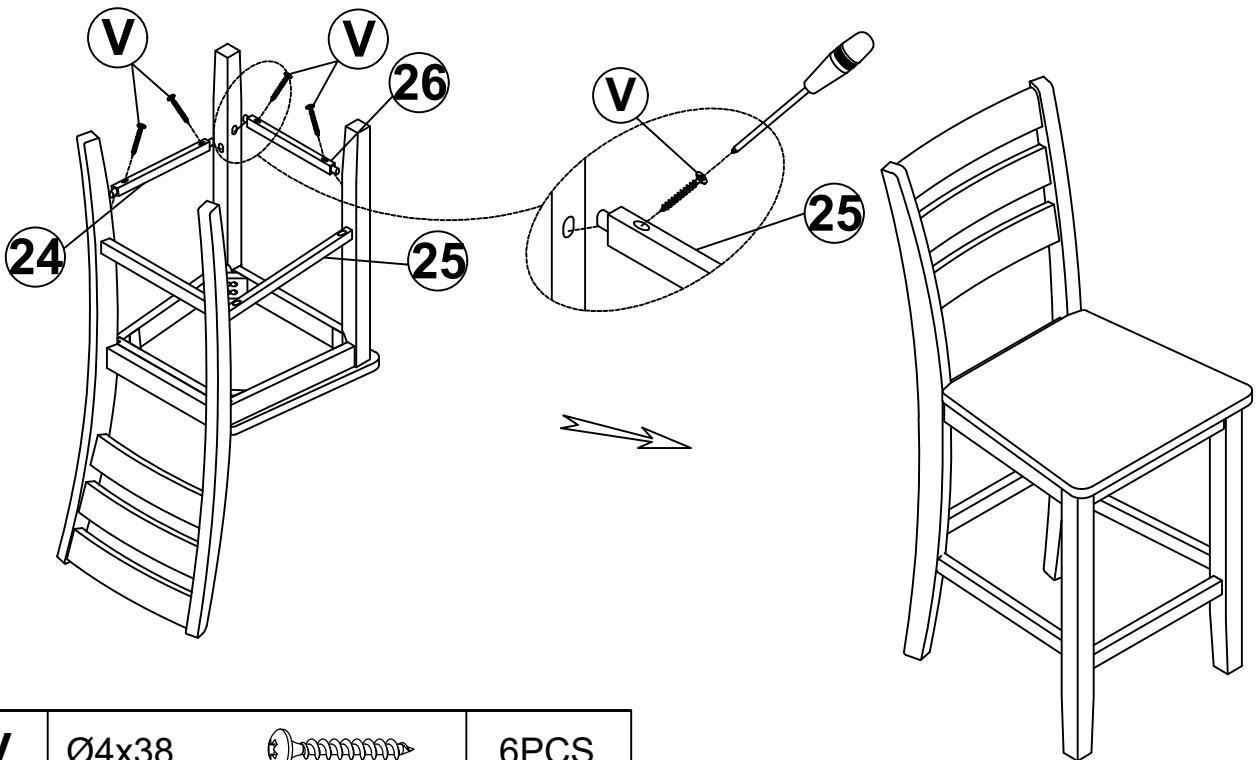
ASSEMBLY INSTRUCTIONS


Step 2



| | | | |
|----------|----------|---|------|
| P | Ø1/4"x13 |  | 4PCS |
| G | Ø1/4"x19 |  | 4PCS |
| C | 1/4x55 |  | 4PCS |
| J | 4x58 |  | 1PC |

Step 3



| | | | |
|----------|-------|---|------|
| V | Ø4x38 |  | 6PCS |
|----------|-------|---|------|