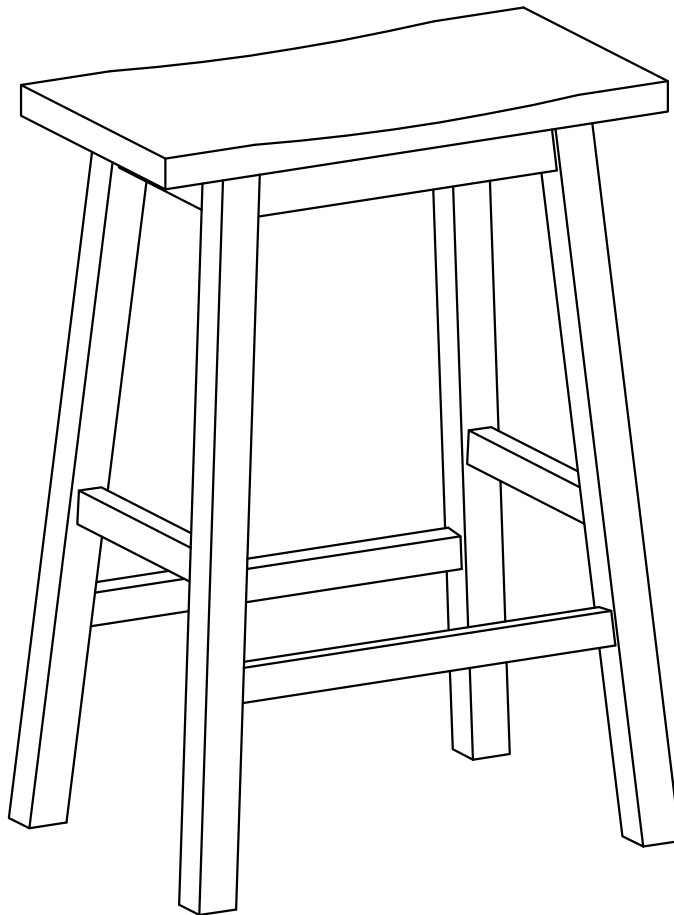


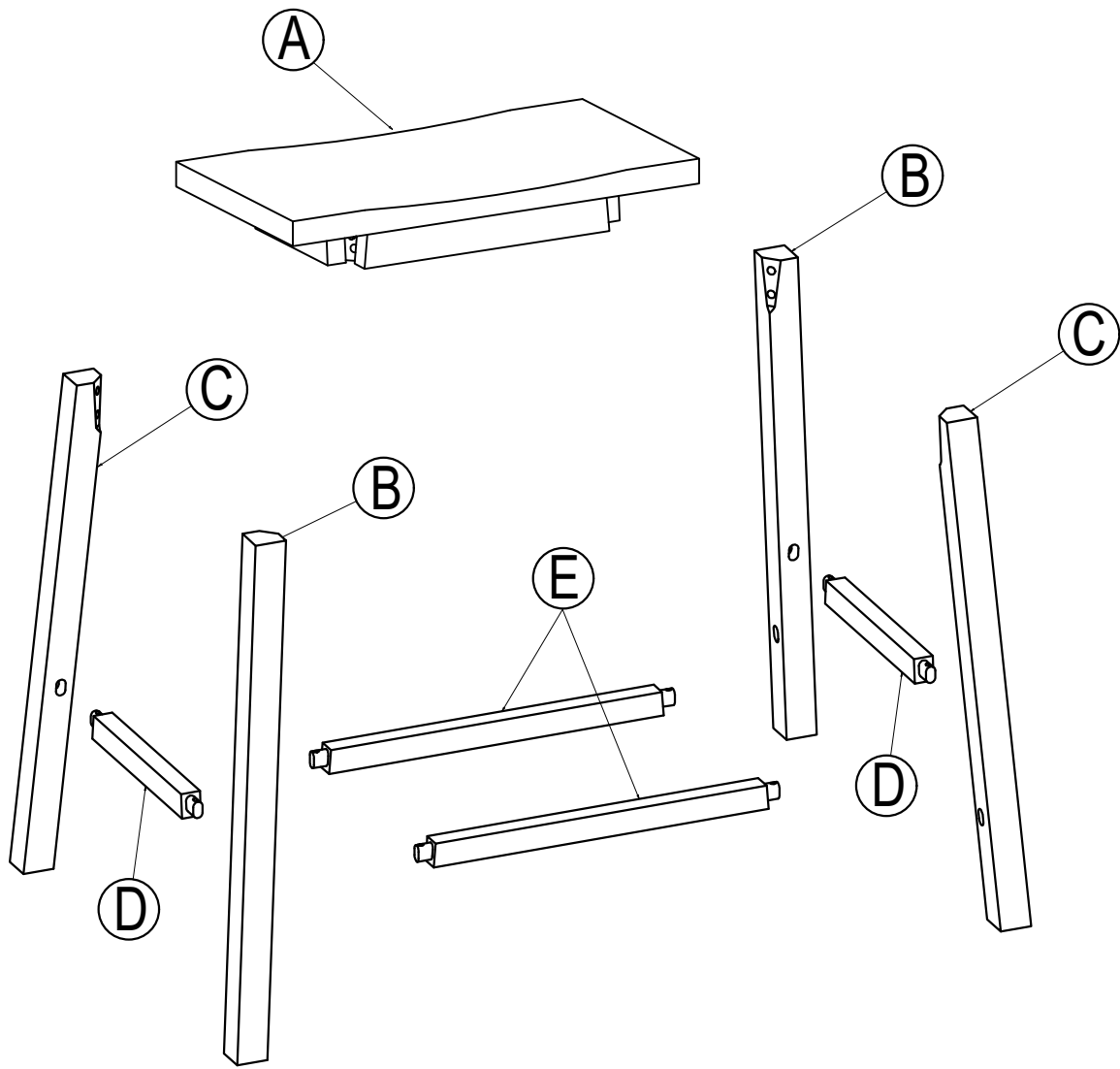
ASSEMBLY INSTRUCTIONS

ITEM NO.WF285473



IMPORTANT NOTE :

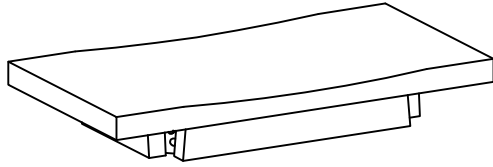
- ① PLACE ALL PARTS ON A CLEAN AND SMOOTH SURFACE SUCH AS A RUG OR CARPET TO AVOID THE PARTS FROM BEING SCRATCHED.
- ② BEFORE YOU BEGIN,KINDLY FOLLOW THE ASSEMBLY INSTRUCTIONS STEP BY STEP.
- ③ DO NOT TIGHTEN ALL SCREWS AND BOLTS UNTIL THE CHAIR IS FULLY SET-UP.



Part List

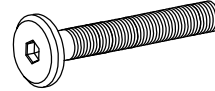
Hardware List

(A)



CUSHION SEAT (2pcs)

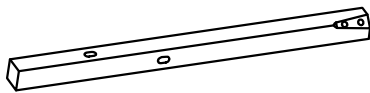
(1)



Ø 1/4" x 50 mm

BOLT (16 pcs)

(B)



LEG LEFT (4pcs)

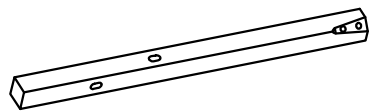
(2)



Ø5/16" x 13 mm

FLAT WASHER (16 pcs)

(C)



LEG RIGHT (4pcs)

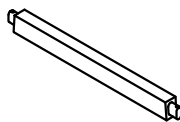
(3)



Ø5/16" x 19 mm

LOCK WASHER (16 pcs)

(D)



SHORT STRETCHER (4pcs)

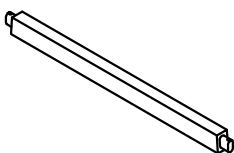
(4)



4mm

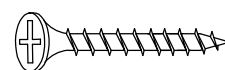
ALLEN KEY (1pc)

(E)



LONG STRETCHER (4pcs)

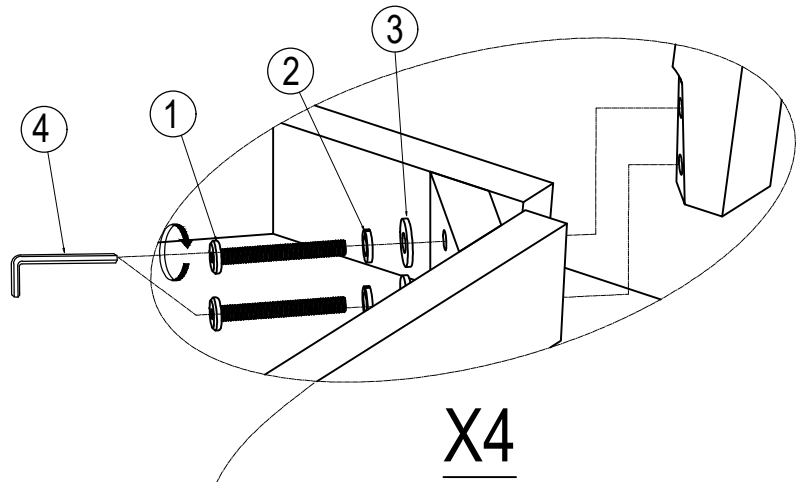
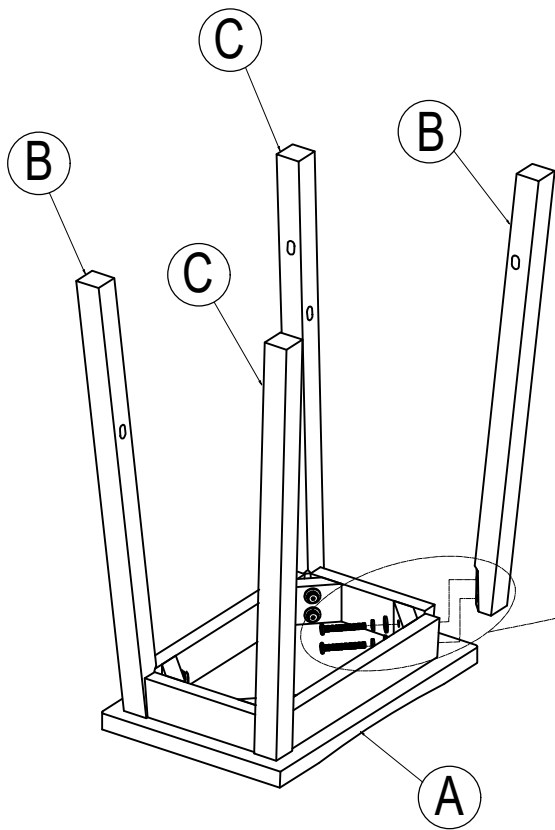
(5)



Ø4 x 38mm

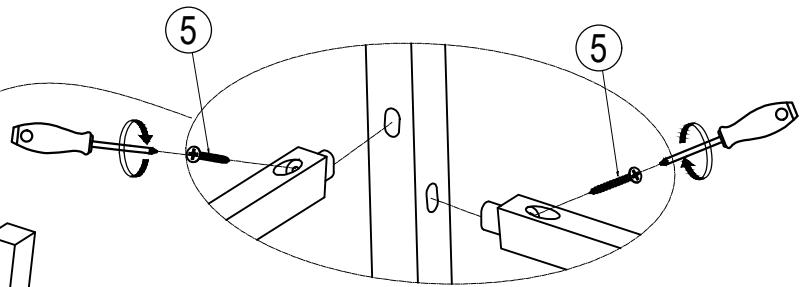
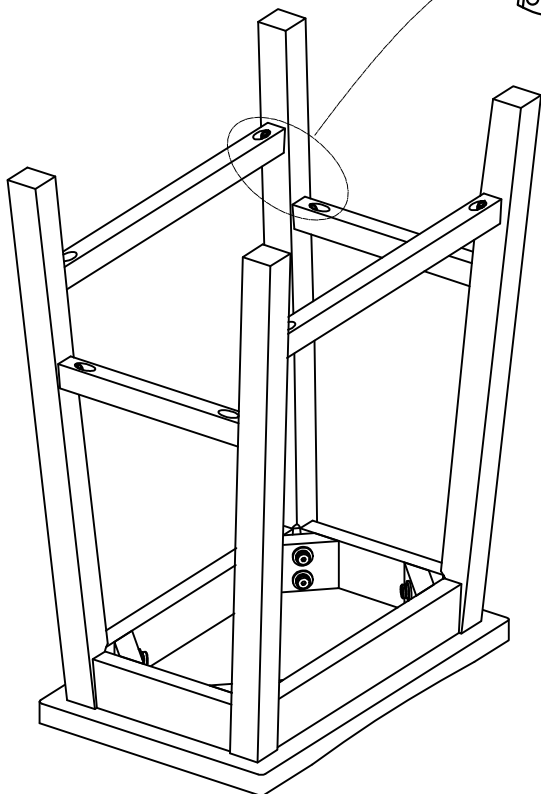
WOOD SCREWS (16pcs)

STEP 1:



X4

STEP 2:



X4