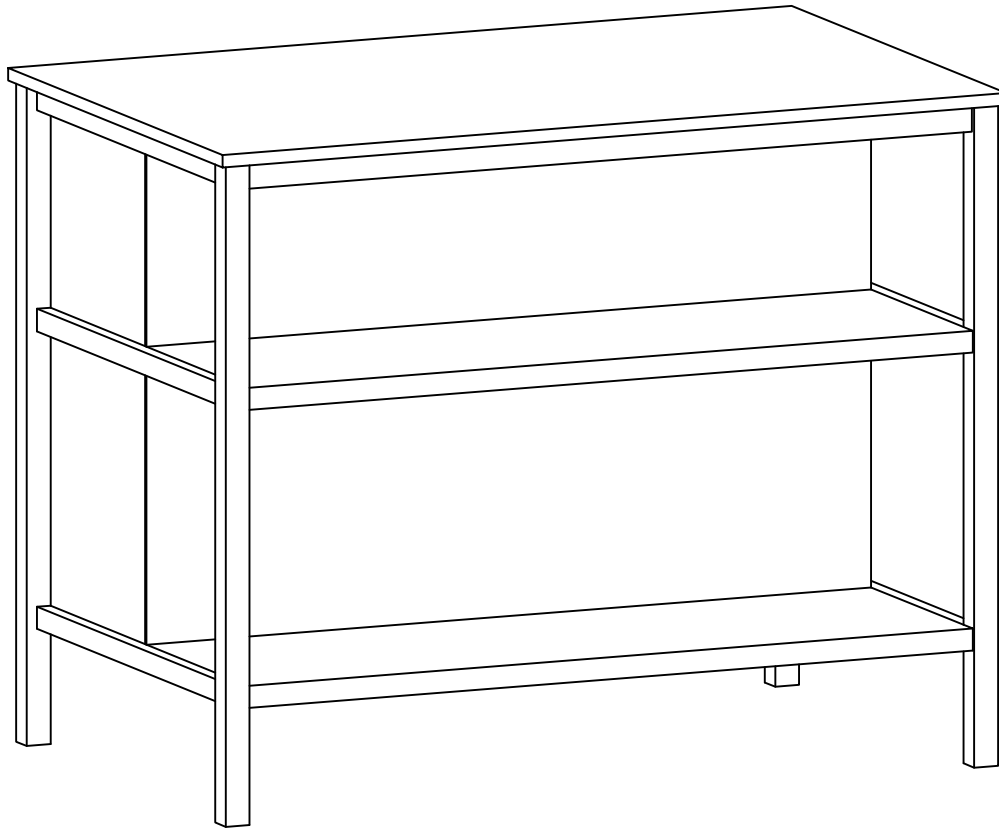


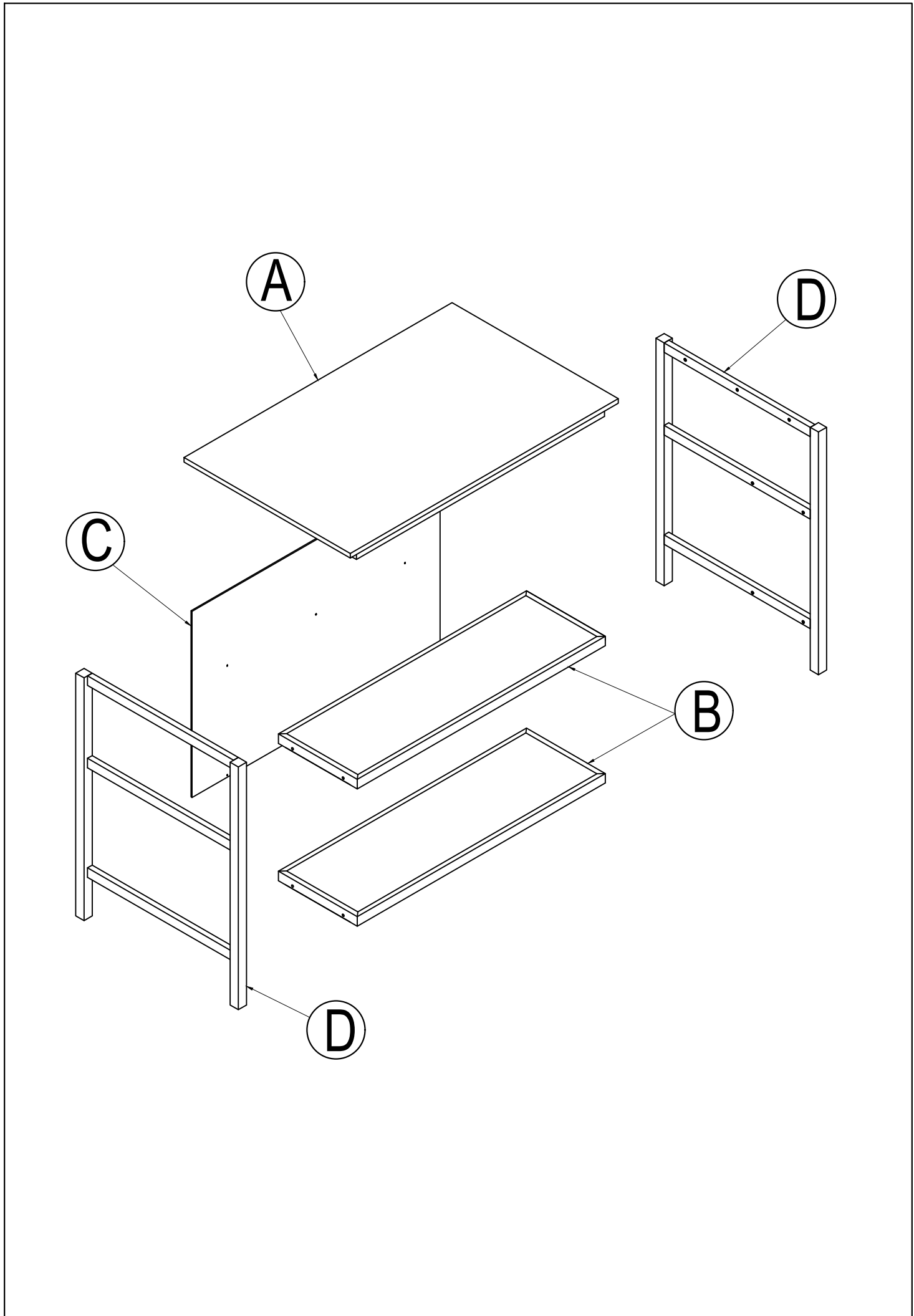
# ASSEMBLY INSTRUCTIONS

ITEM NO.WF285472



## IMPORTANT NOTE :

- ① PLACE ALL PARTS ON A CLEAN AND SMOOTH SURFACE SUCH AS A RUG OR CARPET TO AVOID THE PARTS FROM BEING SCRATCHED.
- ② BEFORE YOU BEGIN,KINDLY FOLLOW THE ASSEMBLY INSTRUCTIONS STEP BY STEP.
- ③ DO NOT TIGHTEN ALL SCREWS AND BOLTS UNTIL THE CHAIR IS FULLY SET-UP.



# Part List

# Hardware List

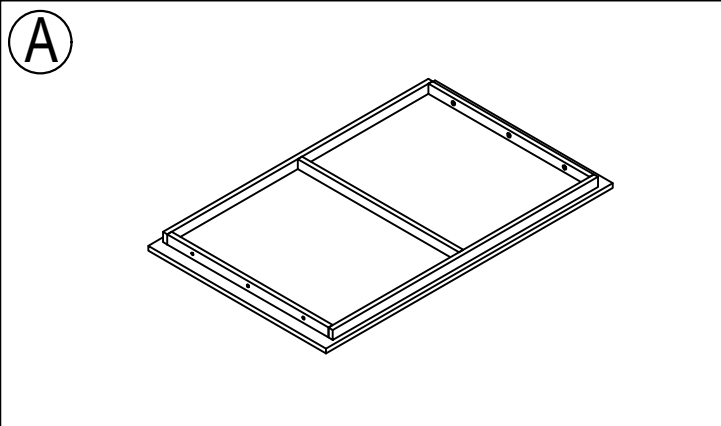


TABLE TOP (1 pc)

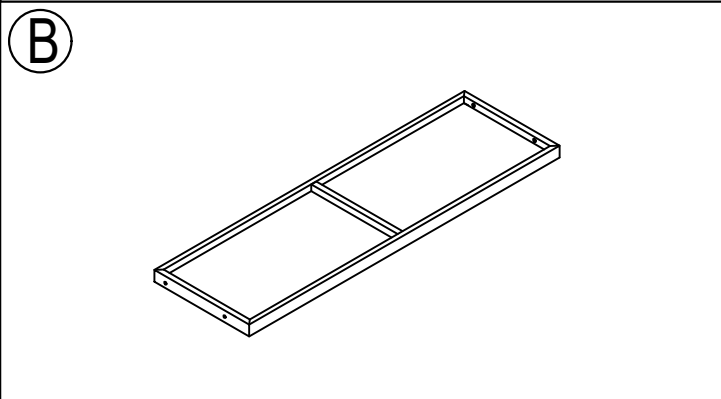
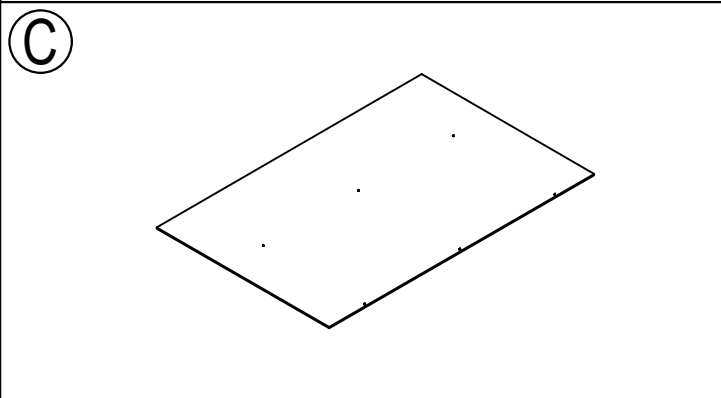


TABLE SHELVES (2 pcs)



MIDDLE PANEL (1 pc)

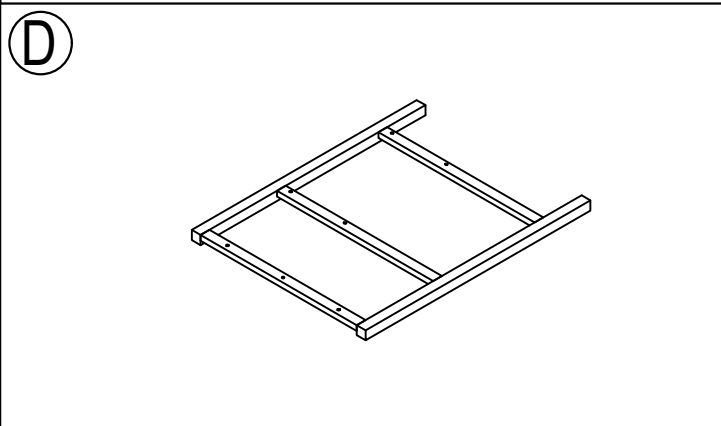
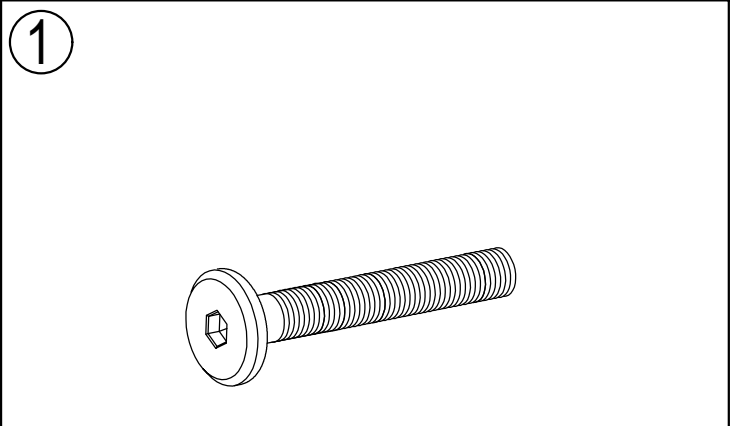
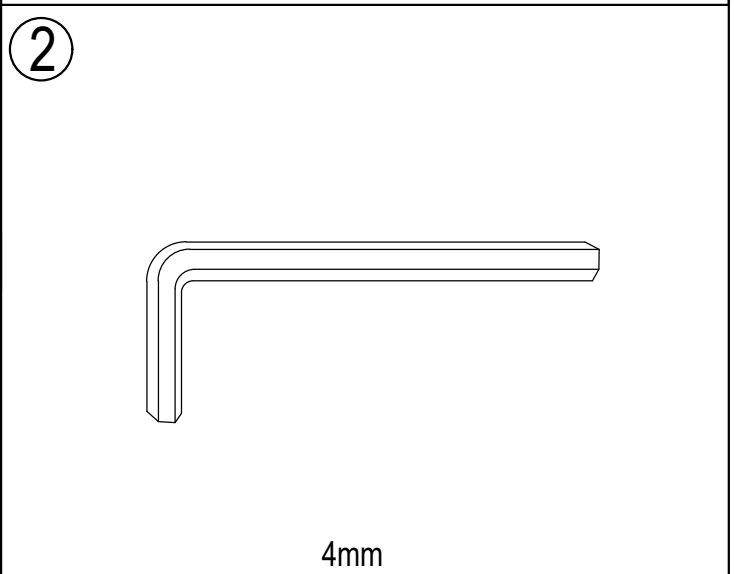


TABLE LEG (2 pcs)



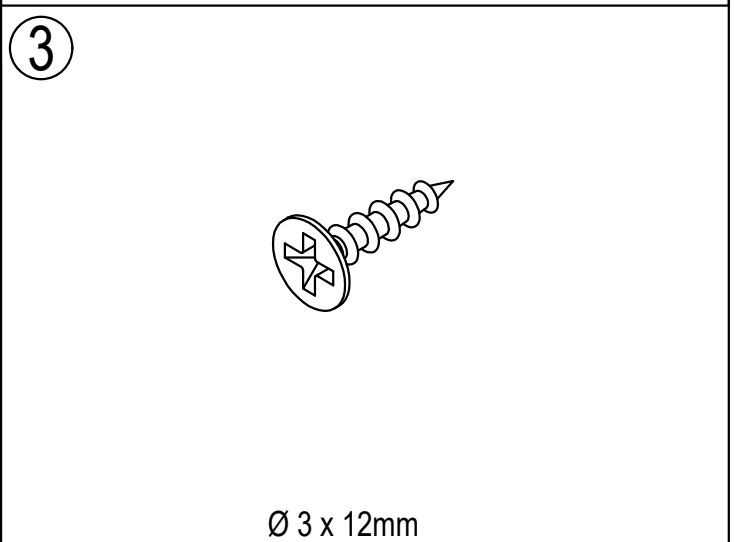
Ø 5/16" x 30mm

BOLT (14pcs)



4mm

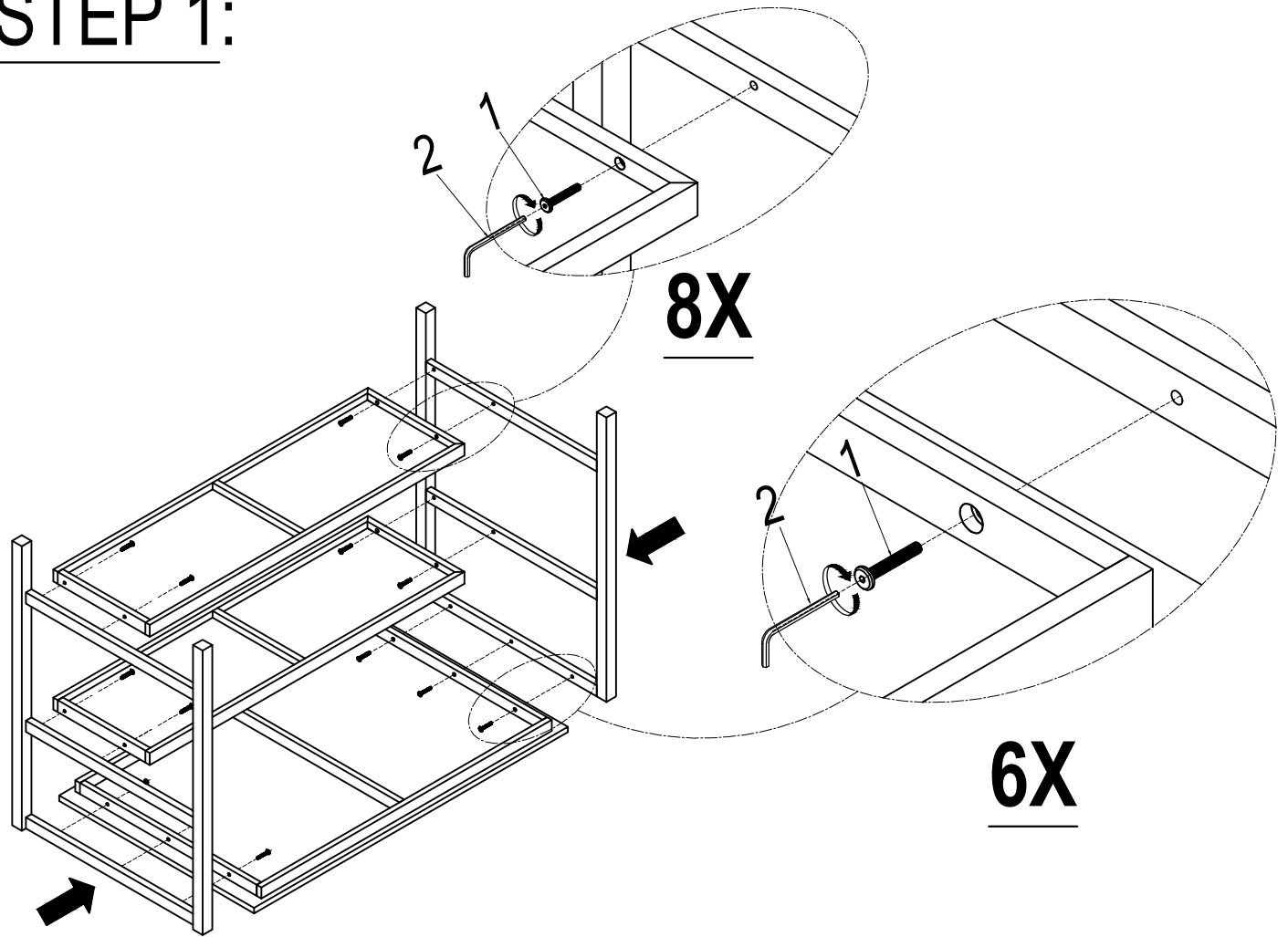
ALLEN KEY (1pc)



Ø 3 x 12mm

WOOD SCREWS (6 pcs)

# STEP 1:



# STEP 2:

