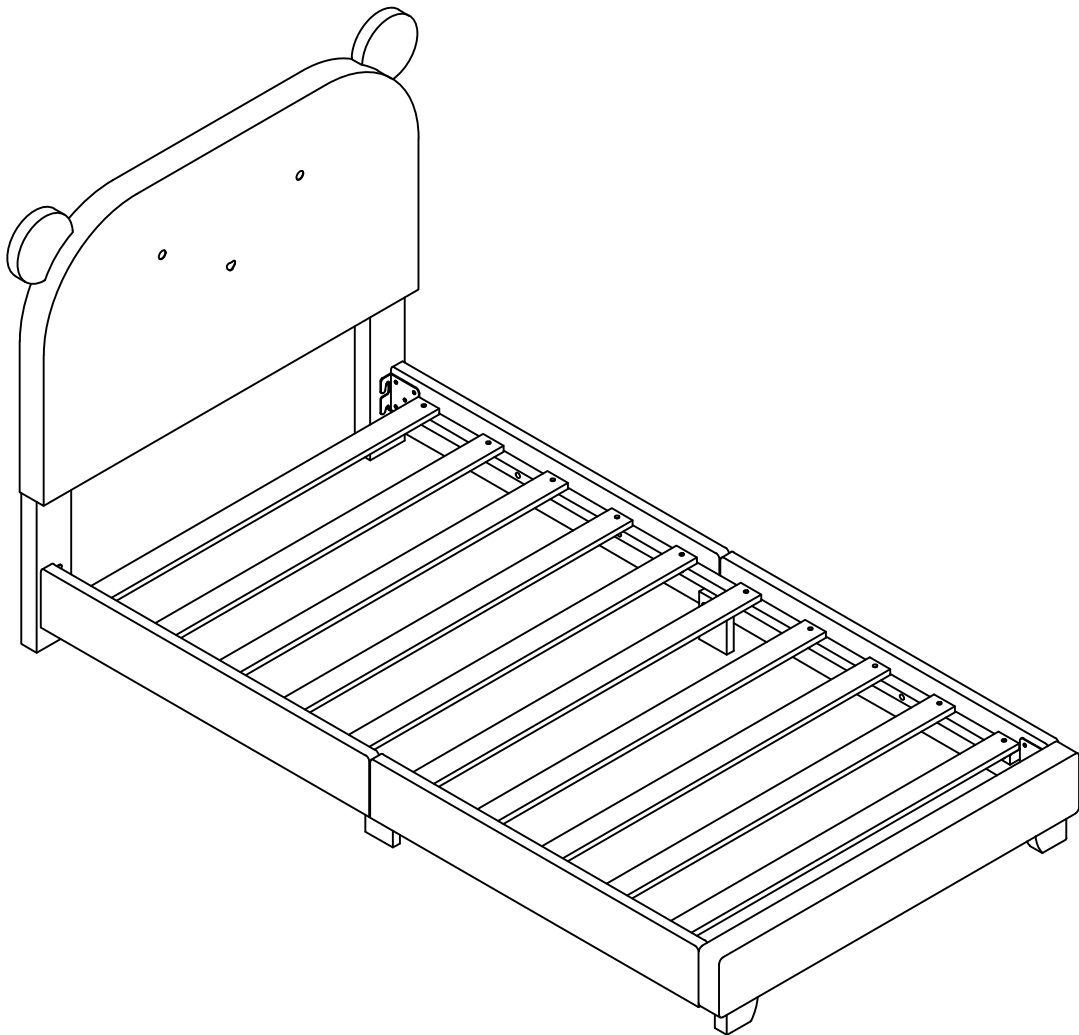


# ASSEMBLY INSTRUCTIONS

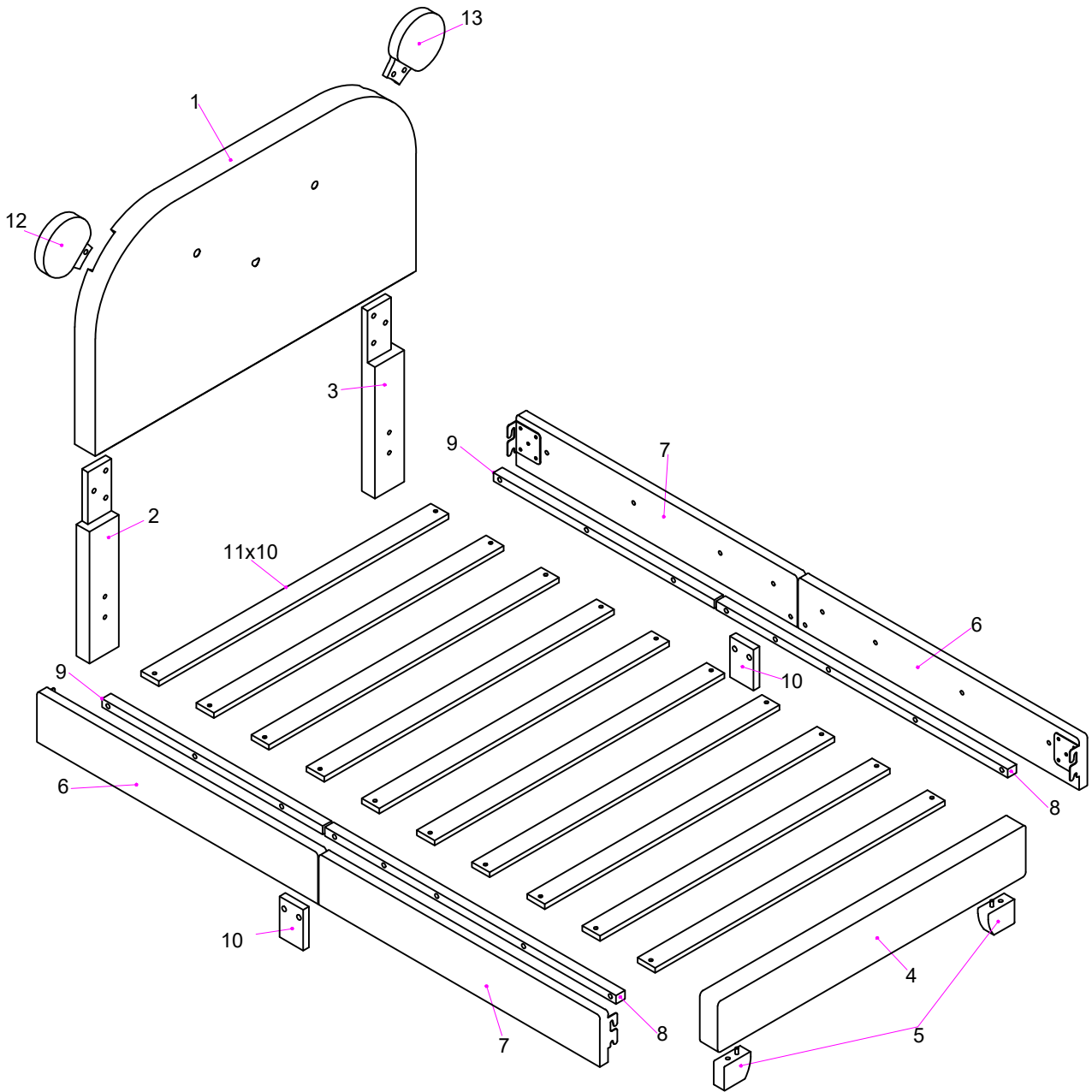
ITEM NO.W1998124482



**IMPORTANT NOTE:**











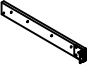
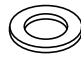
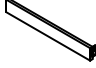





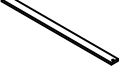


- ① PLACE ALL PARTS ON A CLEAN AND SMOOTH SURFACE SUCH AS A RUG OR CARPET TO AVOID THE PARTS FROM BEING SCRATCHED.
- ② BEFORE YOU BEGIN, KINDLY FOLLOW THE ASSEMBLY INSTRUCTIONS STEP BY STEP.
- ③ DO NOT TIGHTEN ALL SCREWS AND BOLTS UNTIL THE CHAIR IS FULLY SET-UP.

# Exploded View

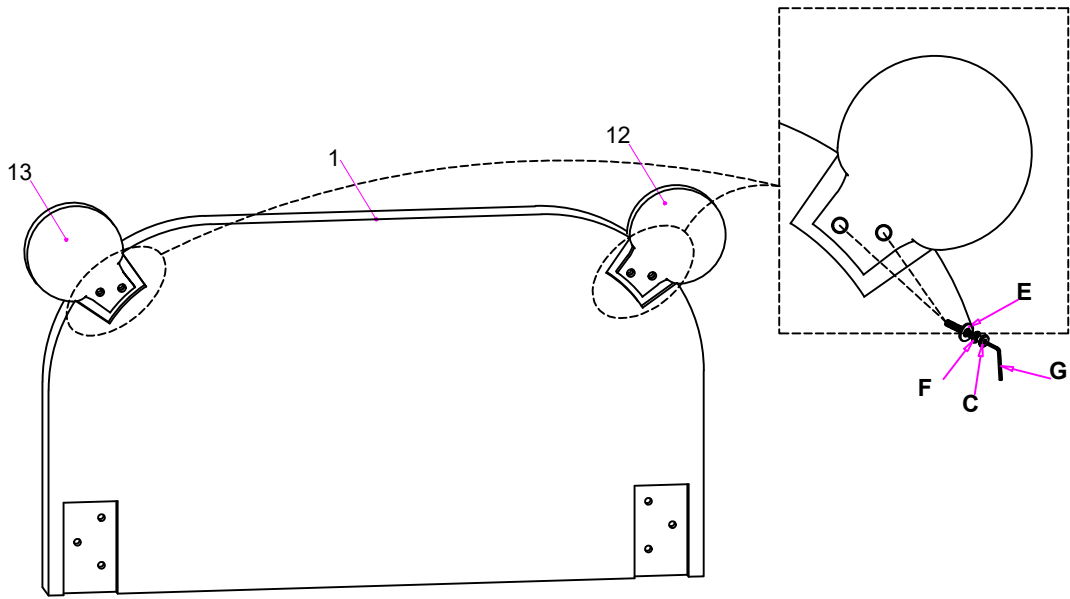


# Part List

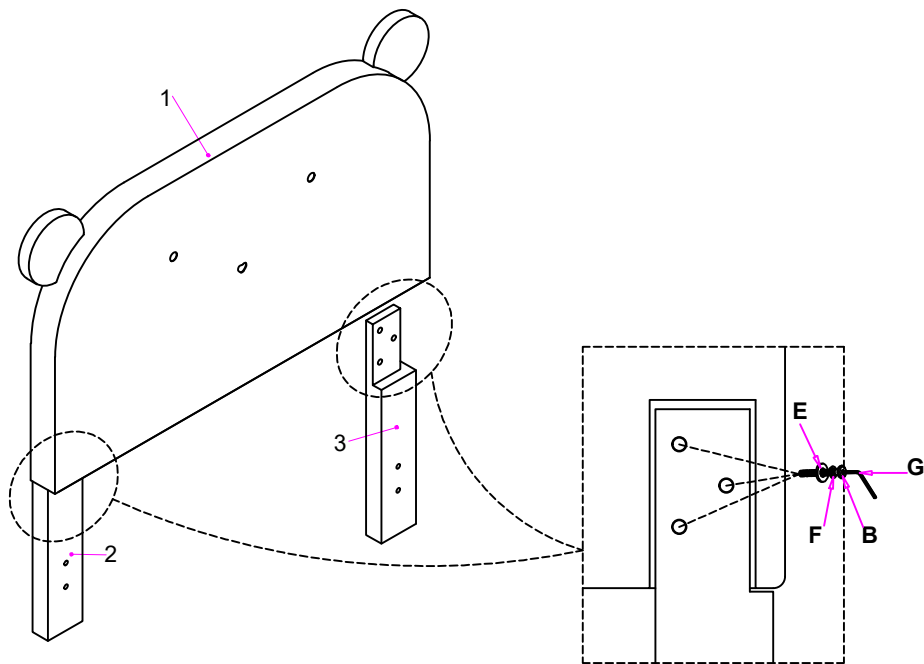
# Hardware List

Headboard	1pc	Bolts Ø5/16"x1"	8pcs
① 		Ⓐ 	
Left Headboard leg	1pc	Bolts Ø5/16"x1-1/2"	10pcs
② 		Ⓑ 	
Right Headboard Leg	1pc	Bolts Ø5/16"x1-1/4"	4pcs
③ 		Ⓒ 	
Footboard	1pc	Bolts Ø5/16"x2"	18pcs
④ 		Ⓓ 	
Leg	2pcs	Lock Washer Ø5/16"	40pcs
⑤ 		Ⓔ 	
Left Side Rail	2pcs	Flat Washer Ø5/16"	40pcs
⑥ 		Ⓕ 	
Right Side Rail	2pcs	Allen Key M4	1pc
⑦ 		Ⓖ 	
Bed Support Bar	2pcs	Screw #4x30mm	20pcs
⑧ 		Ⓕ 	
Bed Support Bar	2pcs		
⑨ 			
Rail support legs	2pcs		
⑩ 			
Slat	10pcs		
⑪ 			
Headboard Ear	1pc	Headboard Ear	1pc
⑫ 		⑬ 	

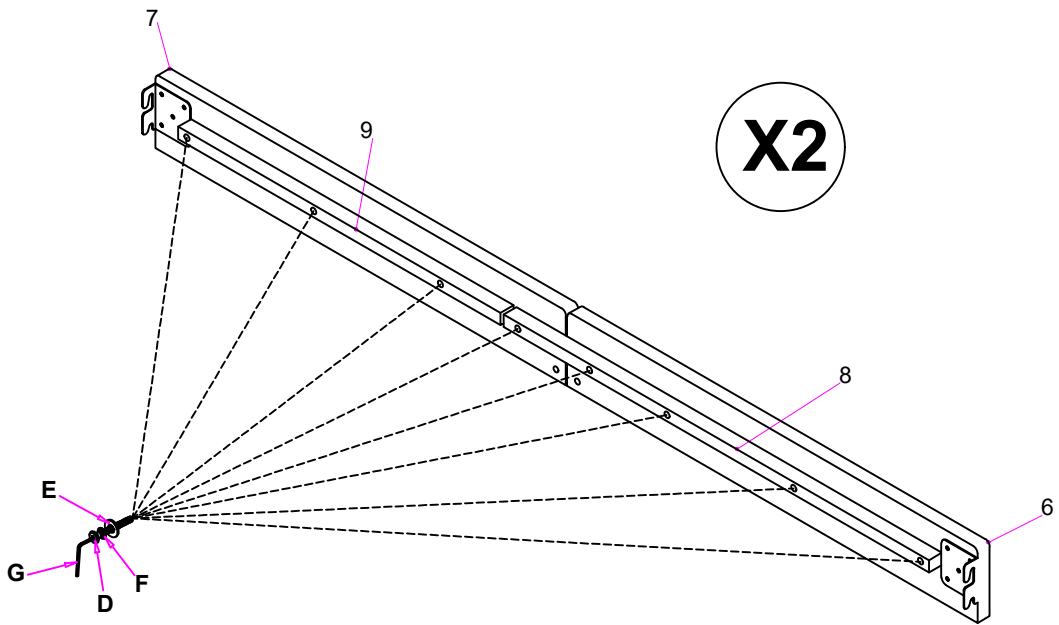
# STEP 1:



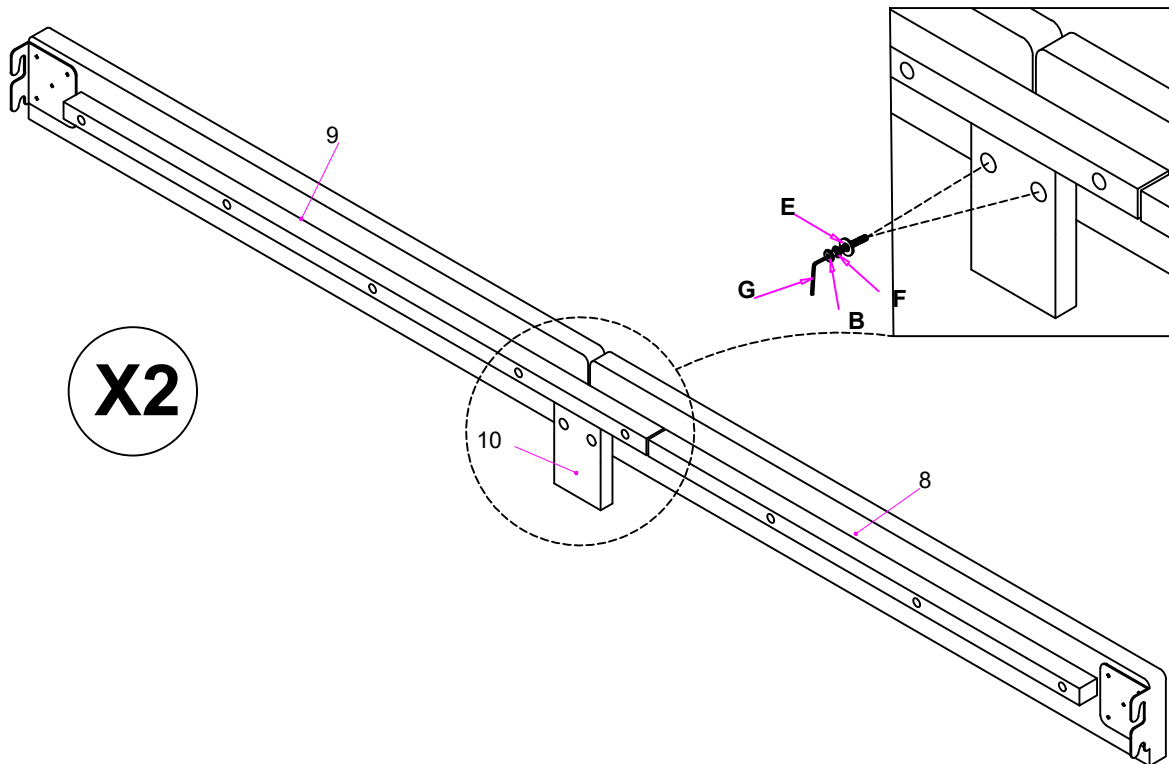
# STEP 2:



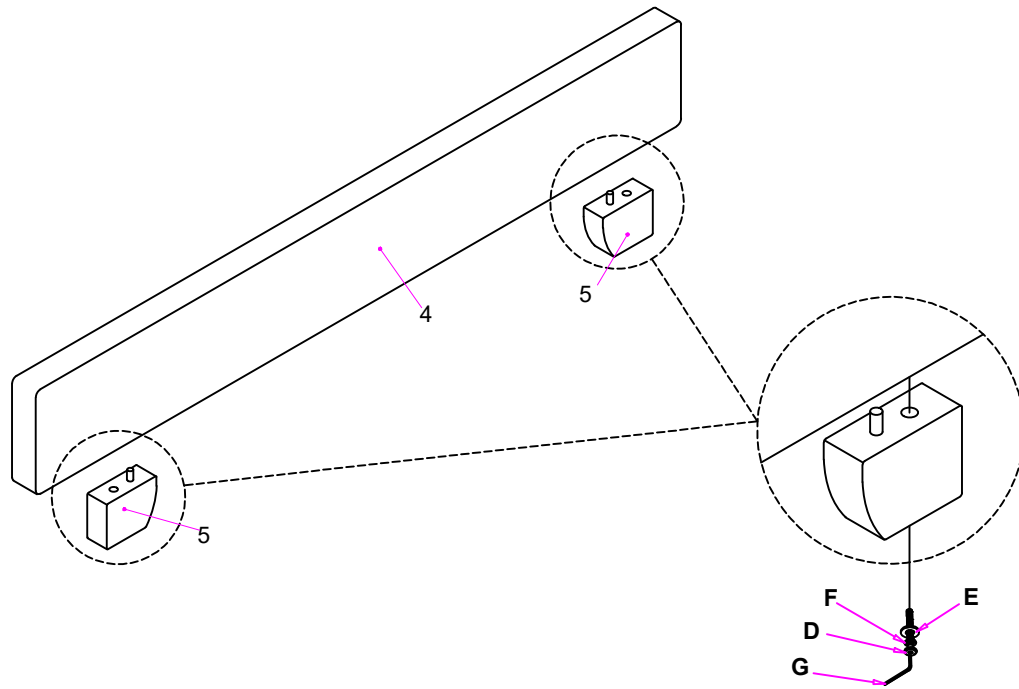
**STEP 3:**



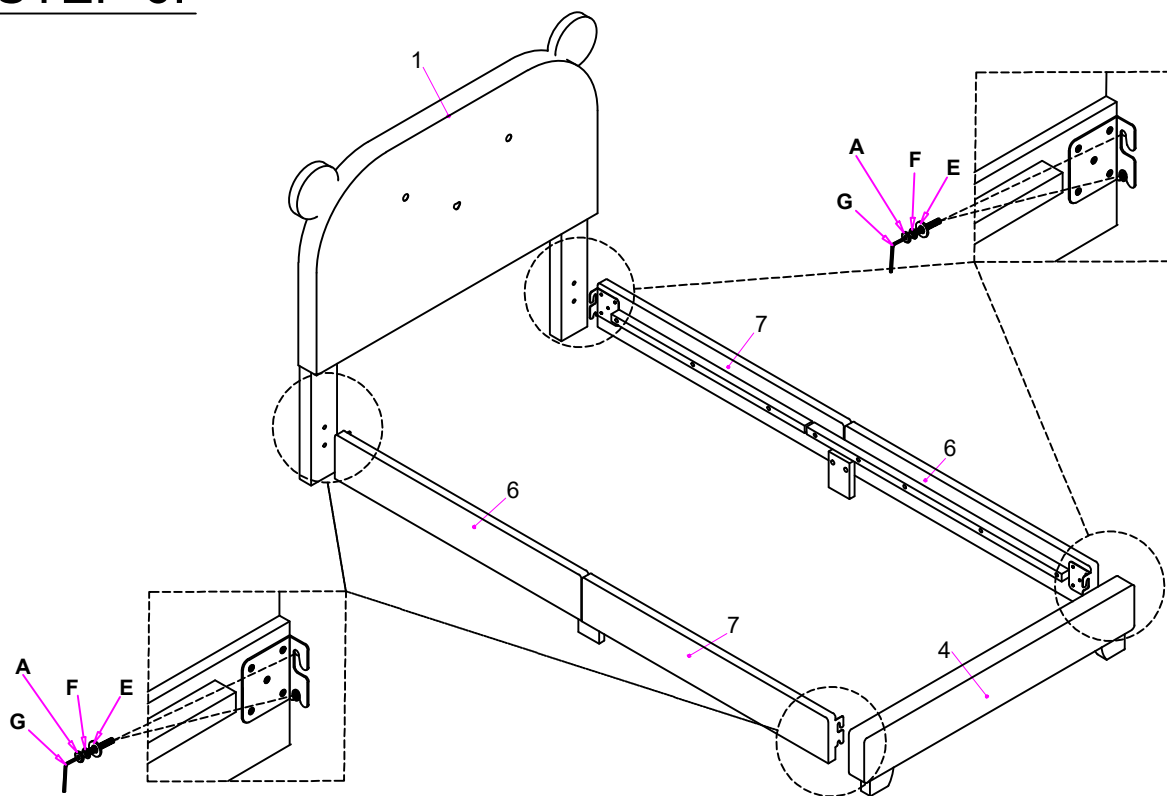
**STEP 4:**



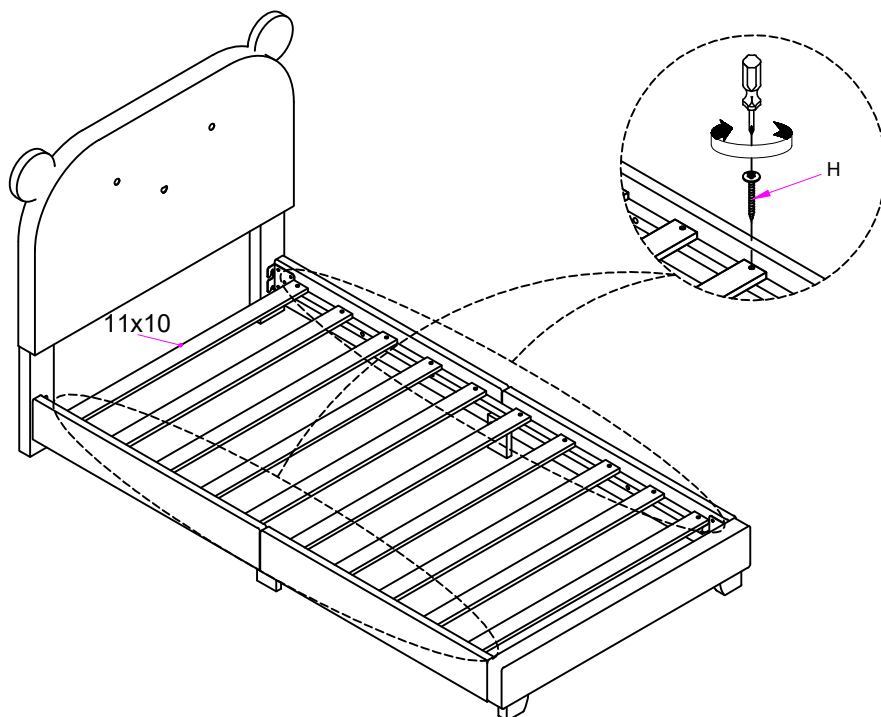
## STEP 5:



## STEP 6:



STEP 7:



COMPLETED :

