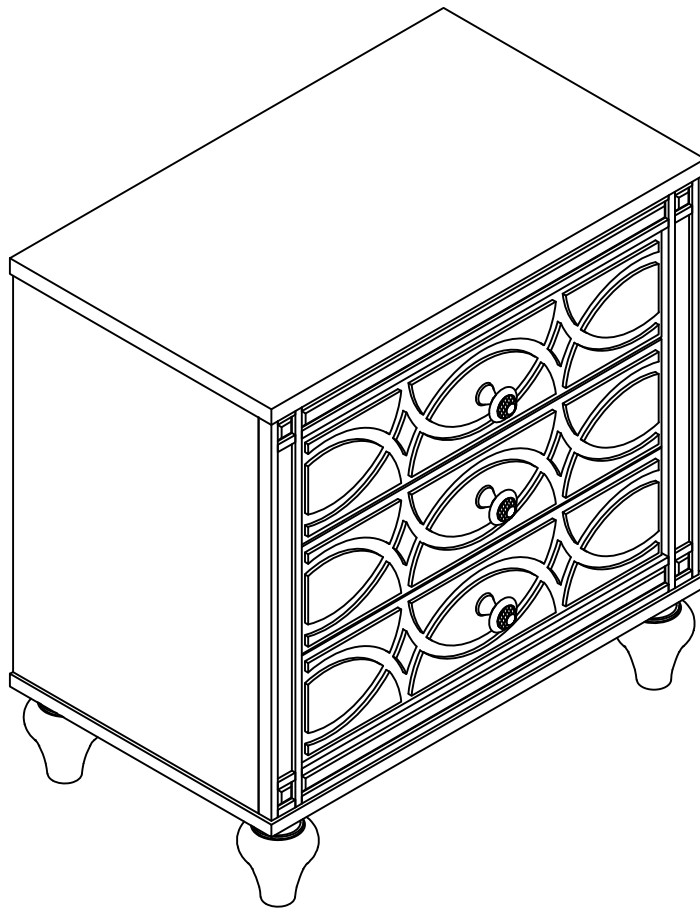


ASSEMBLY INSTRUCTIONS

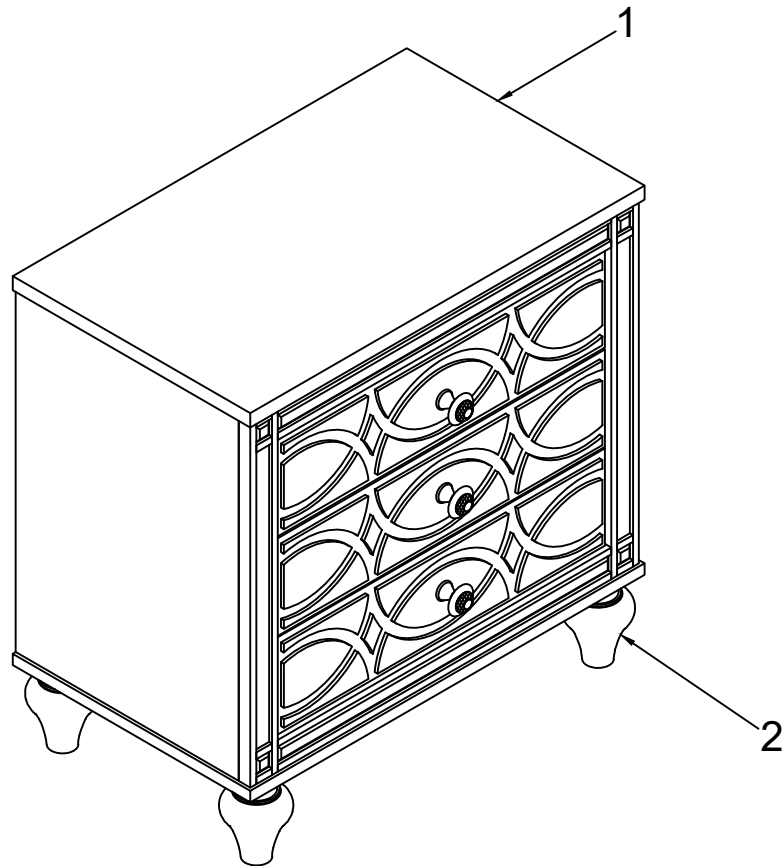
ITEM NO. **FB6028ZD**





ASSEMBLY TIPS:

1. Remove hardware from box and sort by size.
2. Please check to see that all hardware and parts are present prior to start of assembly.
3. Please follow attached instructions in the same sequence as numbered to assure fast & easy assembly.

Exploded View



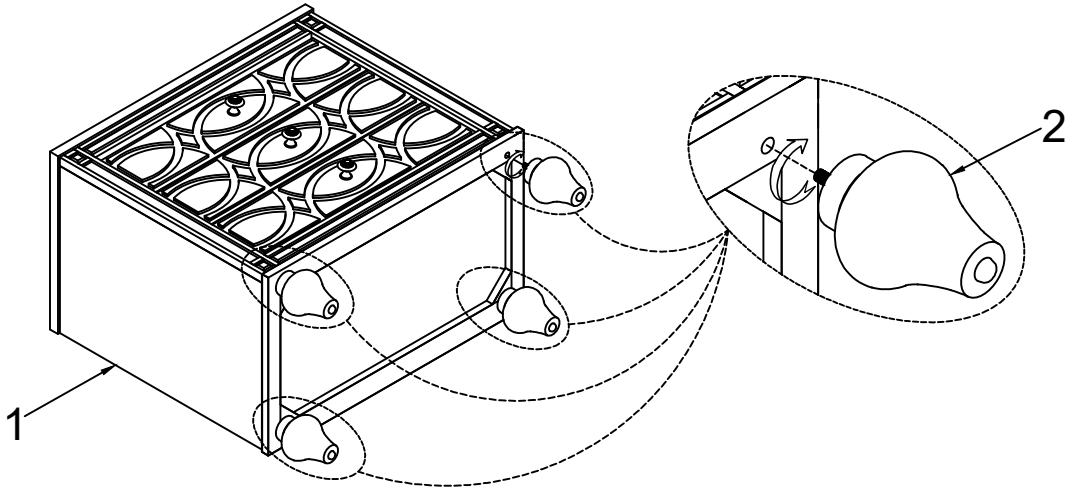
PARTS LIST

NO.	DIAGRAM	PART NAME	Q'Ty
1		Nightstand	1
2		Leg	4

HARDWARE LIST

NO.	DIAGRAM	PART NAME	Q'Ty
A		Tipping Restrain	1 Set

STEP 1



STEP 2

