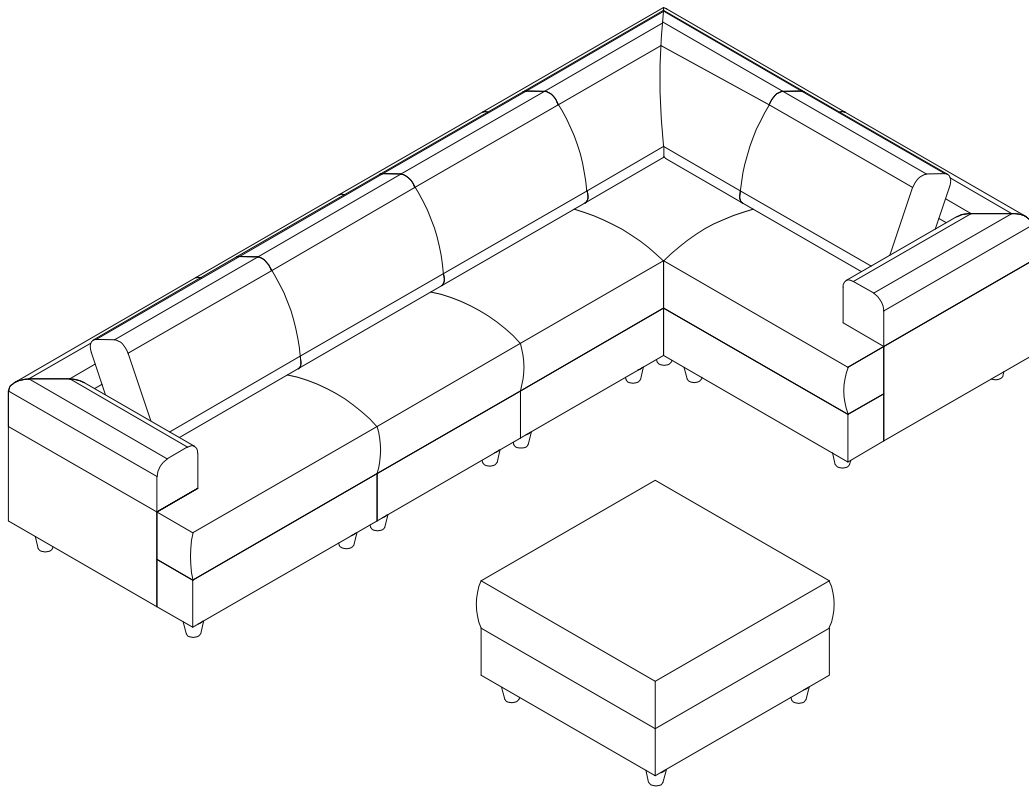


ASSEMBLY INSTRUCTIONS

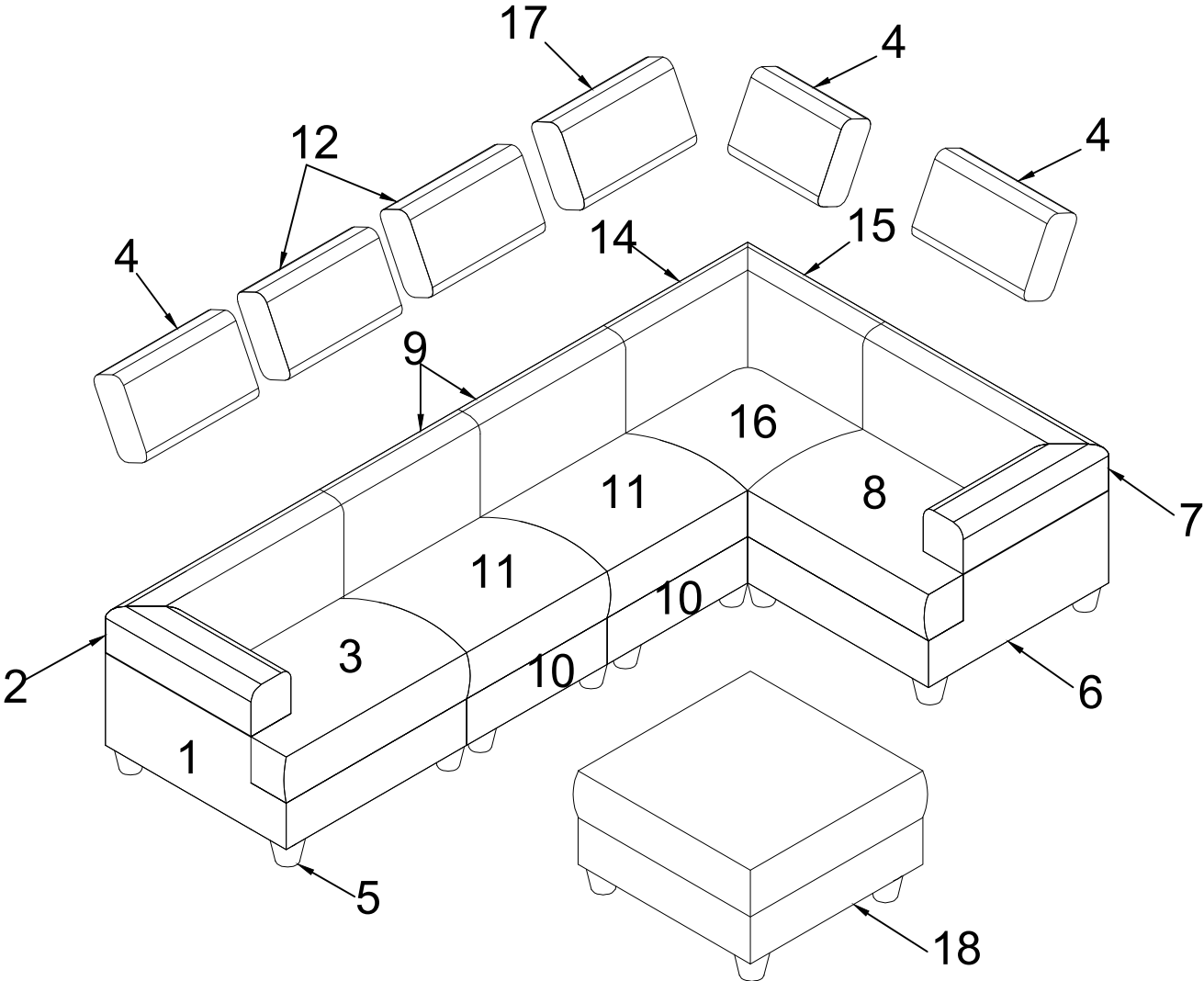
ITEM NO. **FB5010CHF**



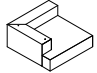
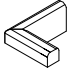
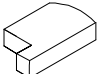
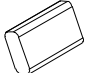

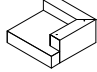
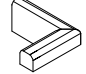
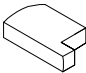

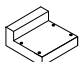
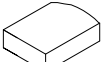

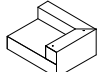
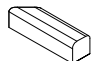
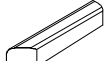

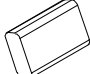
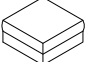
ASSEMBLY TIPS:

1. Remove hardware from box and sort by size.
2. Please check to see that all hardware and parts are present prior to start of assembly.
3. Please follow attached instructions in the same sequence as numbered to assure fast & easy assembly.




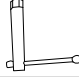
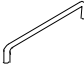

Exploded View



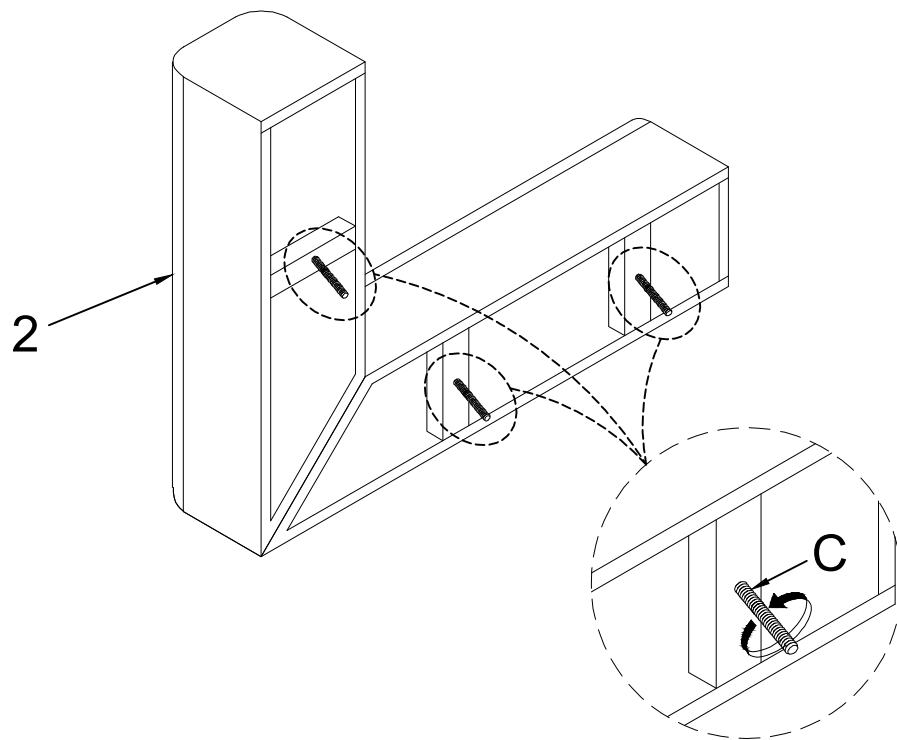
PARTS LIST

NO.	DIAGRAM	PART NAME	Q'Ty
1		Left Chair Seat	1 pc
2		Left Chair Backrest	1 pc
3		Left Chair Seat Cushion	1 pc
4		Left Chair Back Cushion	3 pcs
5		Leg	24 pcs
6		Right Chair Seat	1 pc
7		Right Chair Backrest	1 pc
8		Right Chair Seat Cushion	1 pc
9		Armless Chair Backrest	2 pcs
10		Armless Chair Seat	2 pcs
11		Armless Chair Seat Cushion	2 pcs
12		Armless Chair Back Cushion	2 pcs
13		Corner Seat	1 pc
14		Corner Left Backrest	1 pc
15		Corner Right Backrest	1 pc
16		Corner Seat	1 pc
17		Corner Left Back Cushion	1 pc
18		Ottoman	1 pc

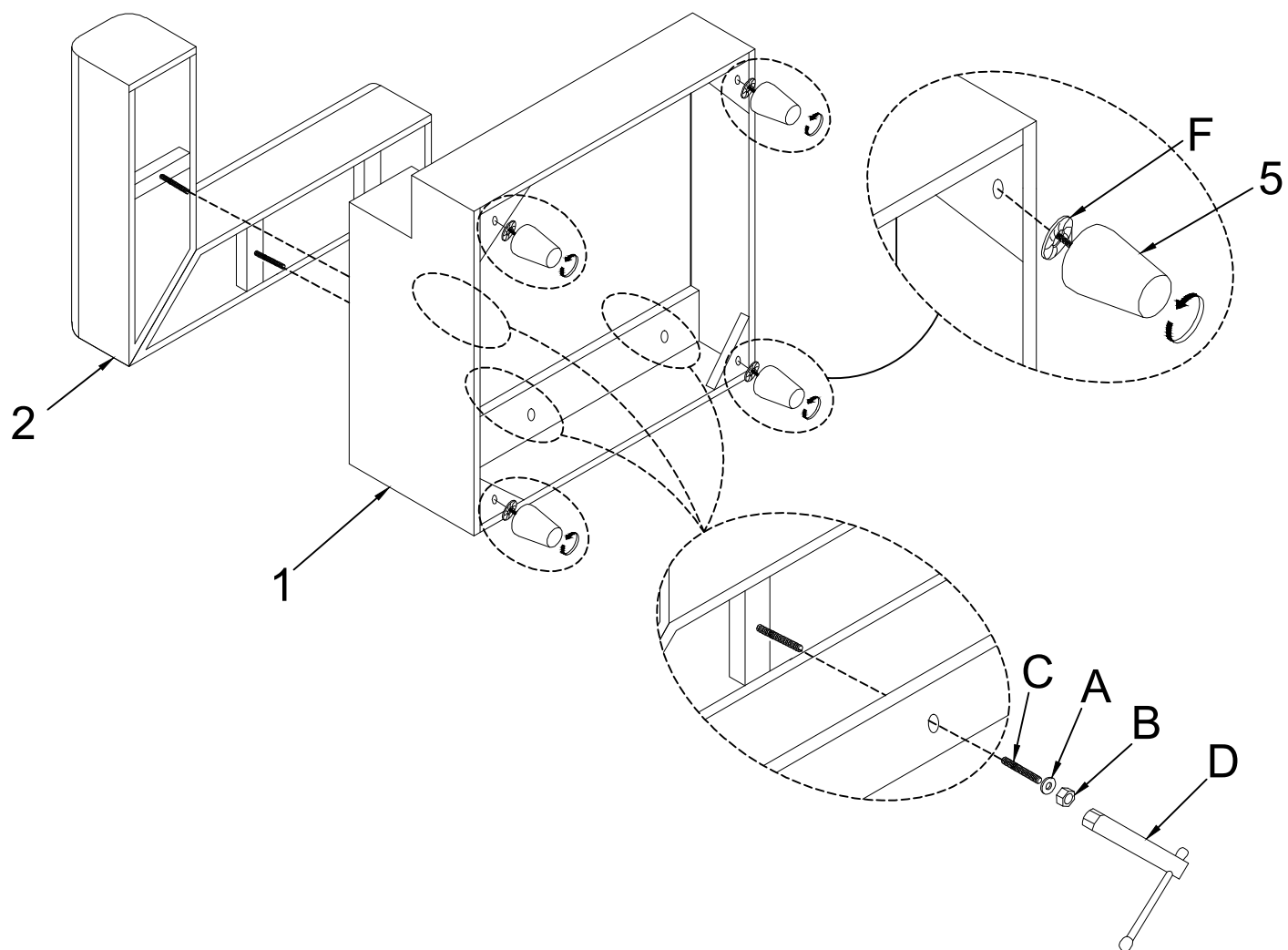
HARDWARE LIST

NO.	DIAGRAM	PART NAME	Q'Ty
A		Flat Washer Ø5/16"	14 PCS
B		Hexnut Ø5/16"	14 PCS
C		Threaded stud Ø5/16"	14 PCS
D		Allen Key	1 PC
E		"U " Metal	12 PCS
F		Gasket	24 PCS

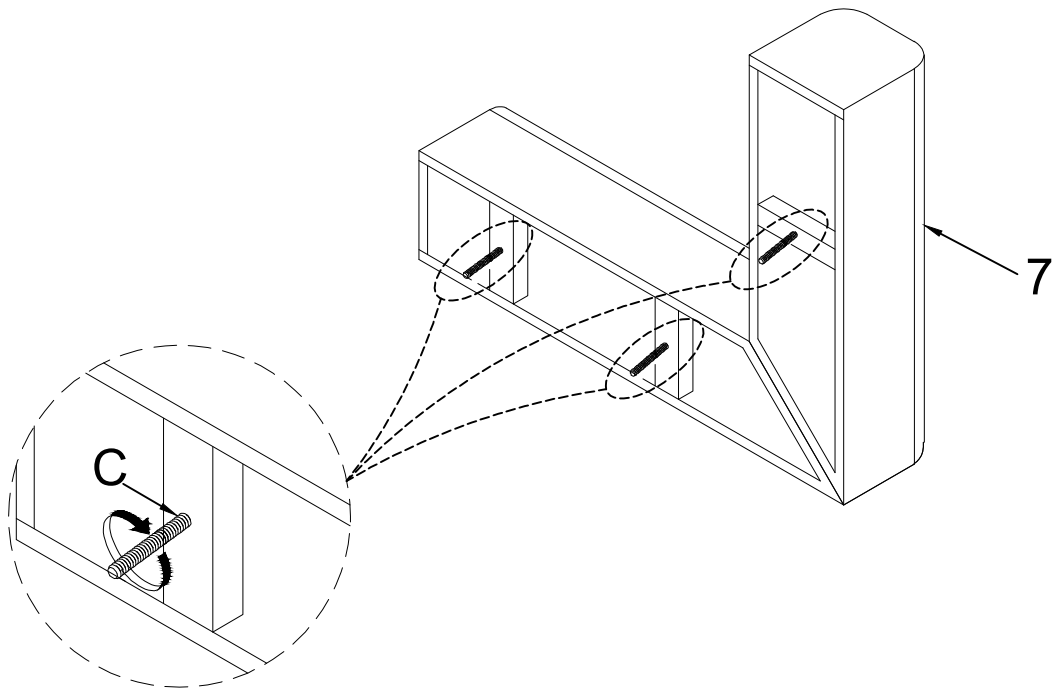
STEP 1



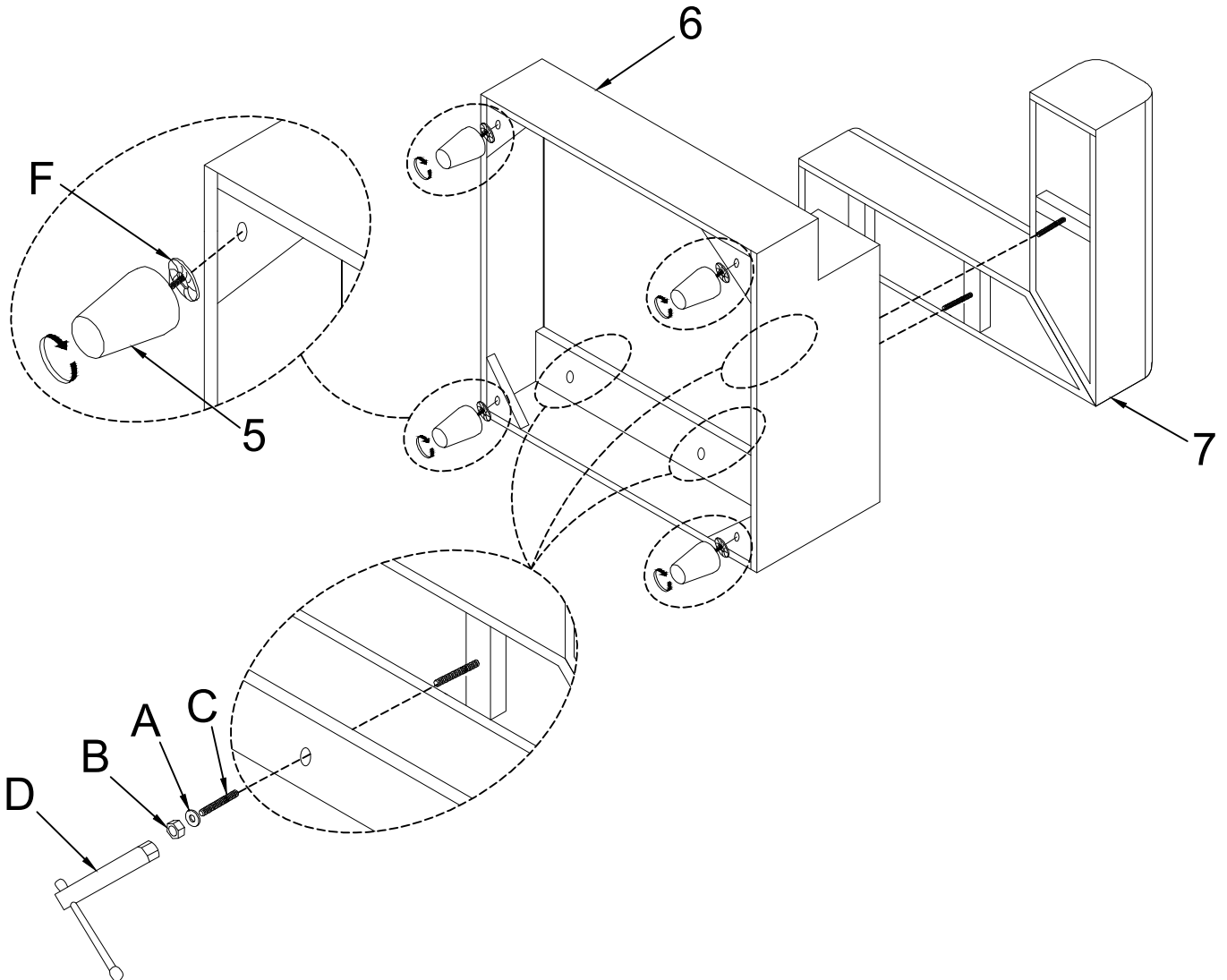
STEP 2



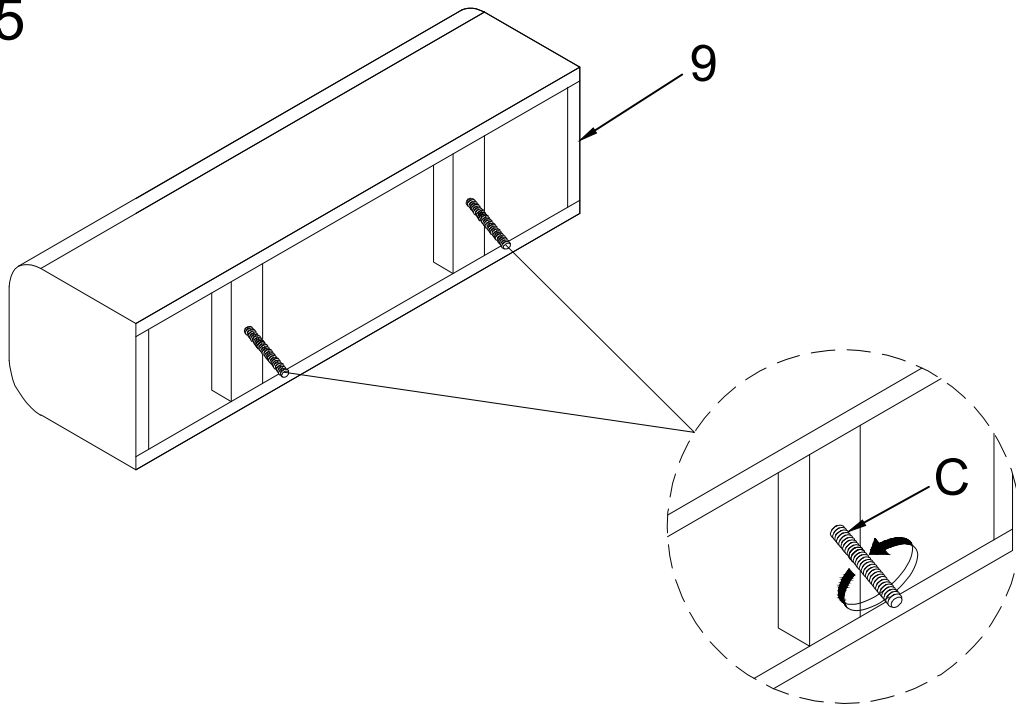
STEP 3



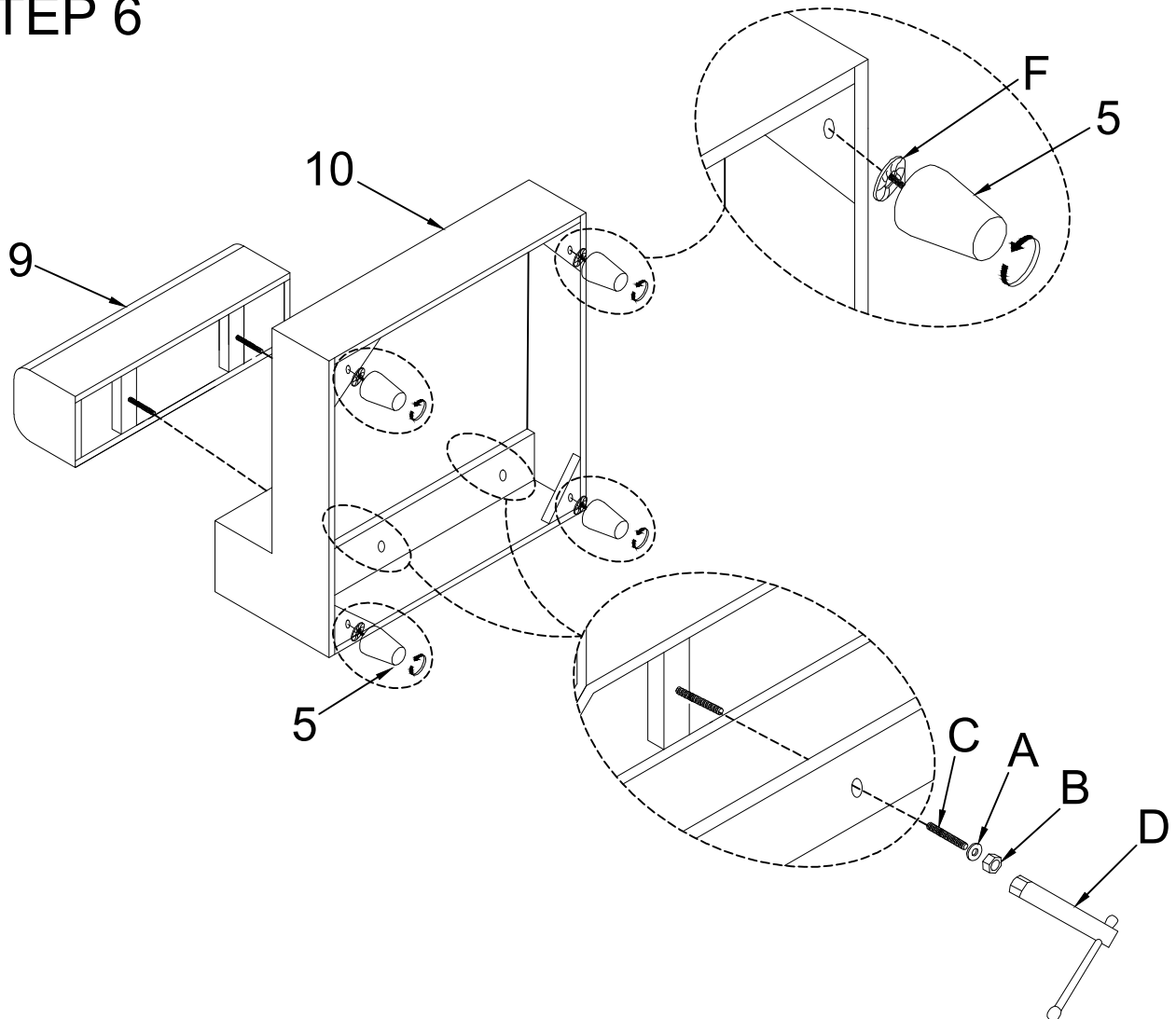
STEP 4



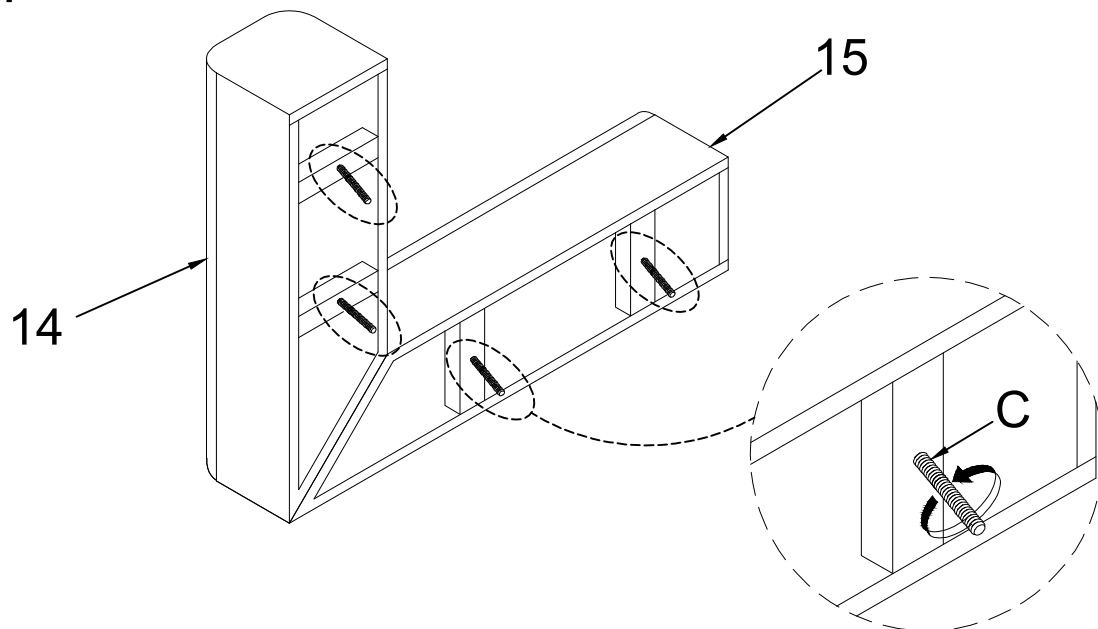
STEP 5



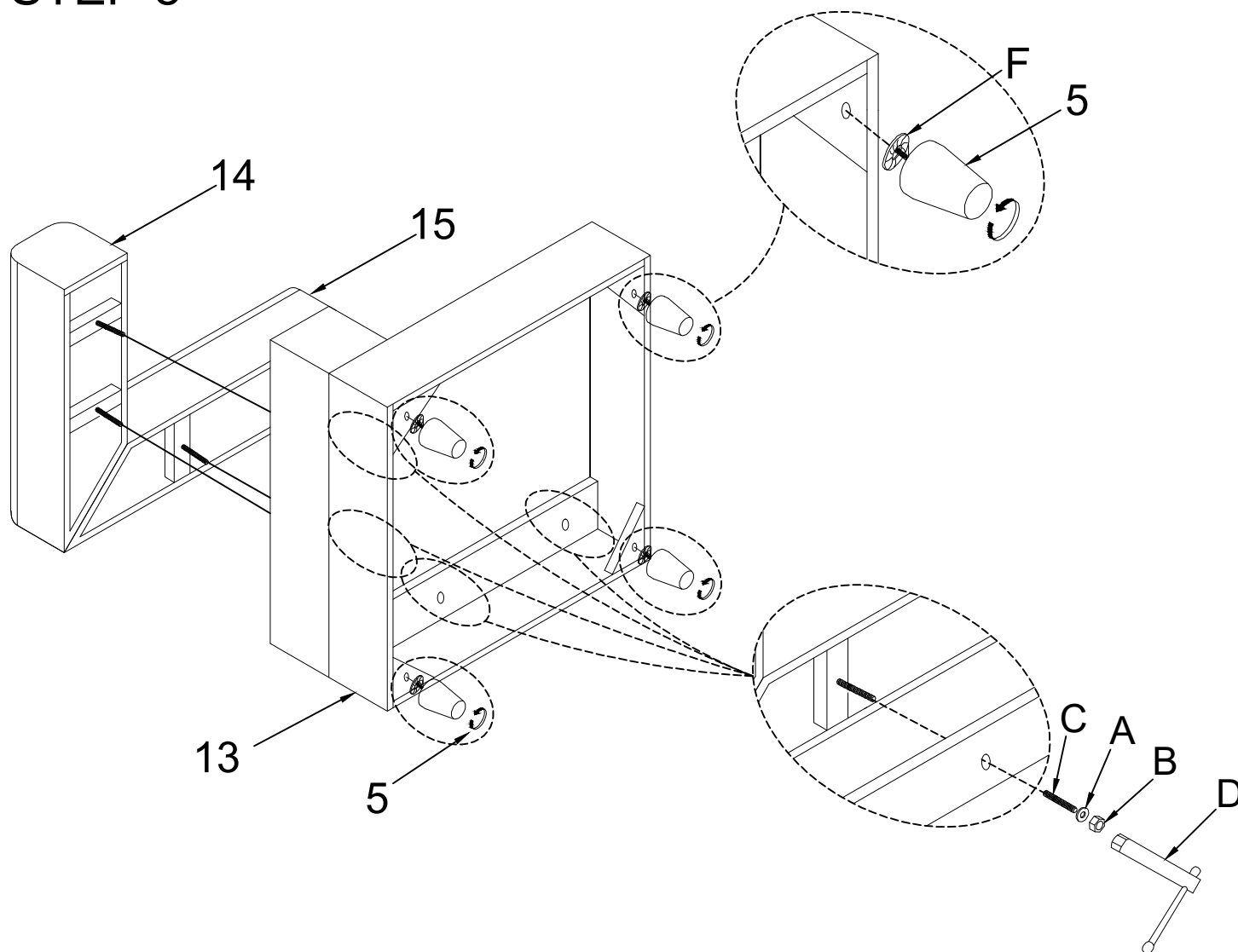
STEP 6



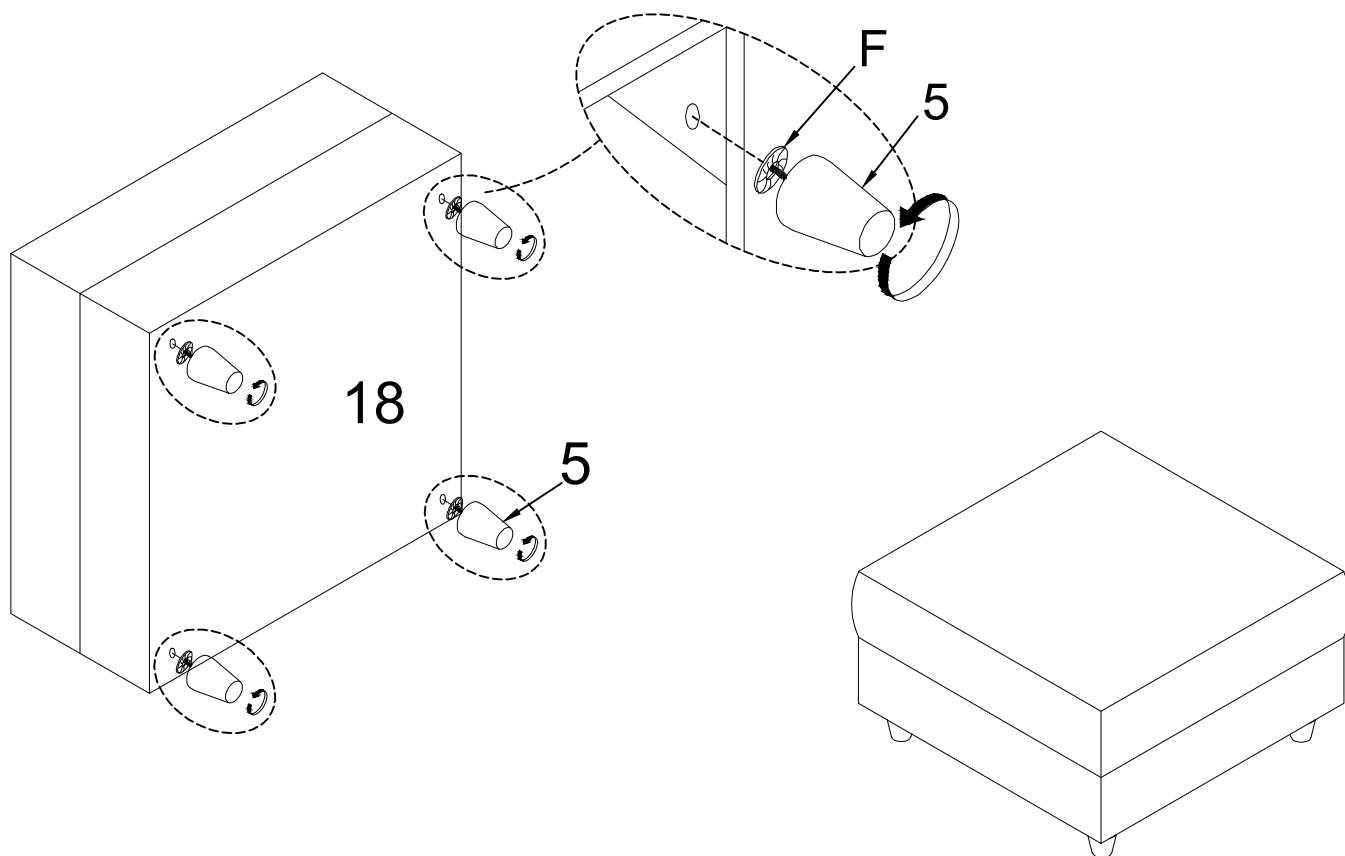
STEP 7



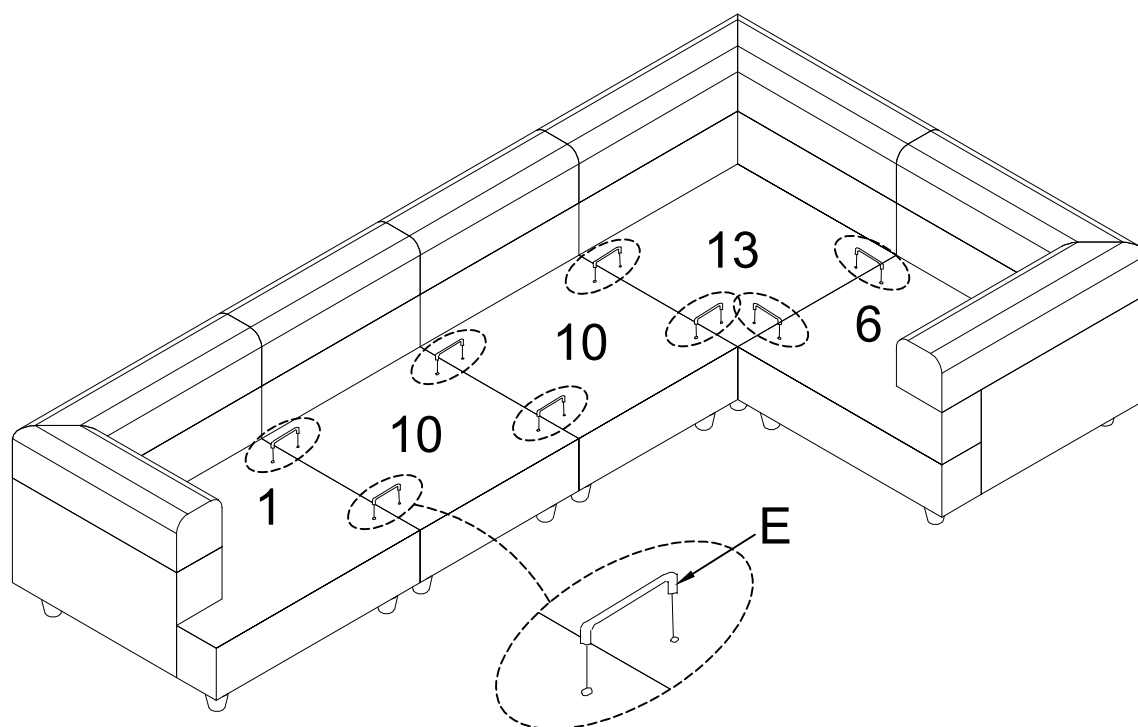
STEP 8



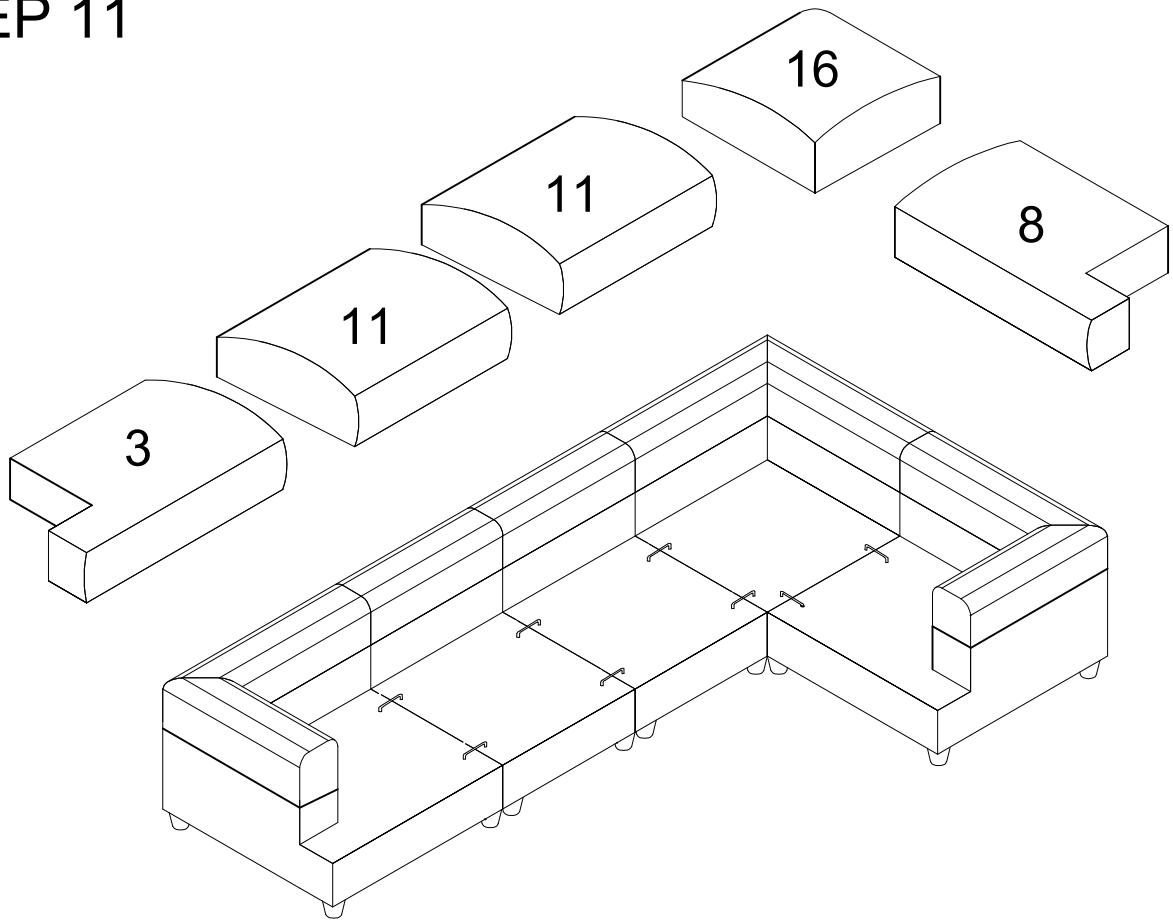
STEP 9



STEP 10



STEP 11



STEP 12

