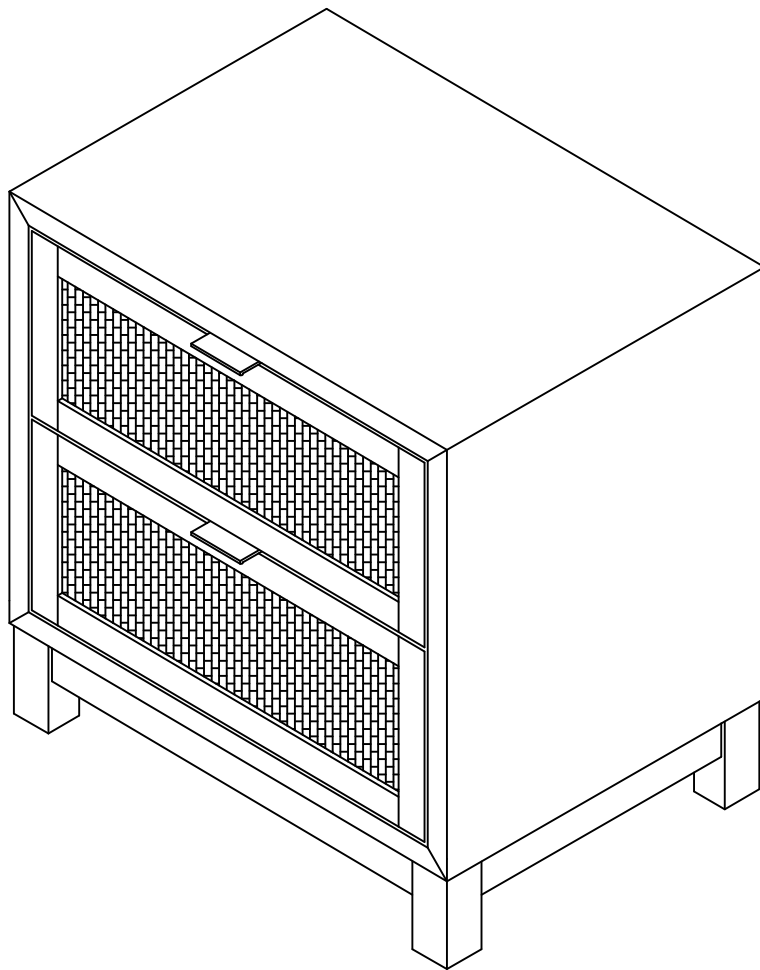


ASSEMBLY INSTRUCTIONS

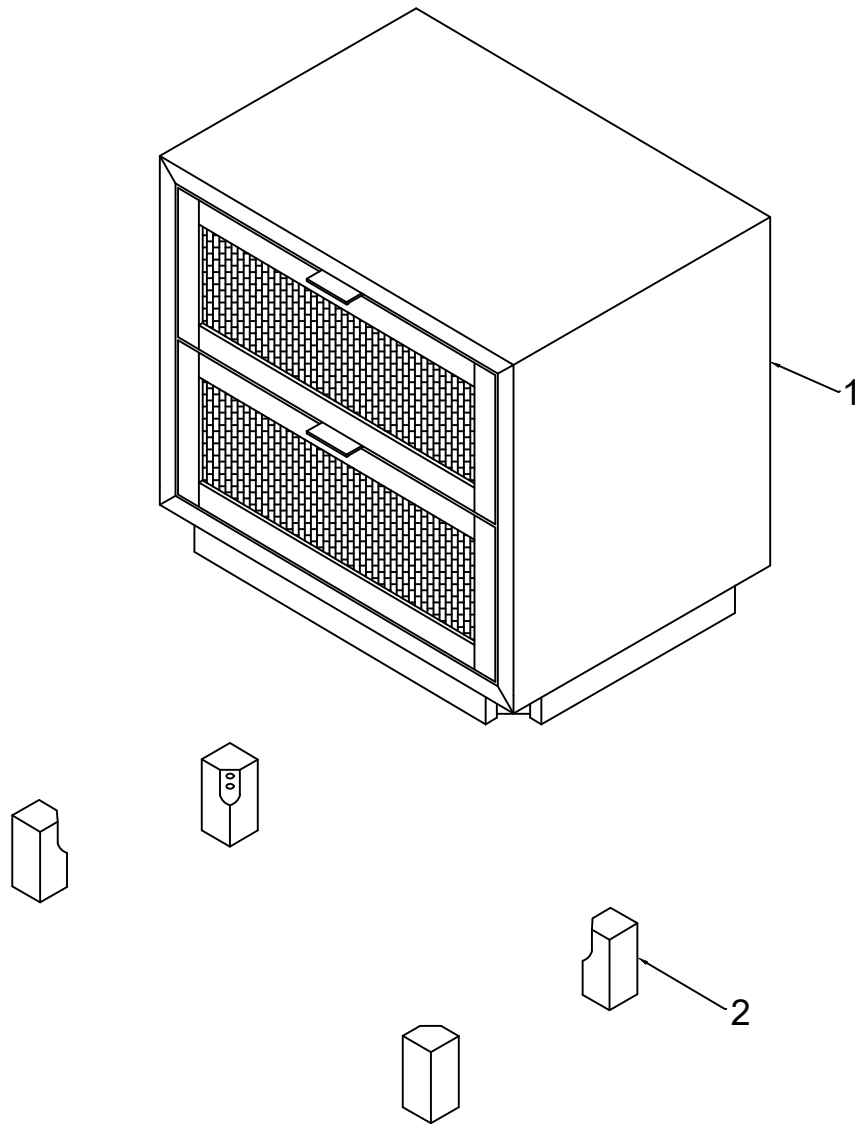
ITEM NO. FB6024HS



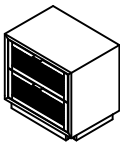

ASSEMBLY TIPS:

1. Remove hardware from box and sort by size.
2. Please check to see that all hardware and parts are present prior to start of assembly.
3. Please follow attached instructions in the same sequence as numbered to assure fast & easy assembly.




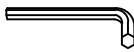
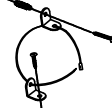
Exploded View



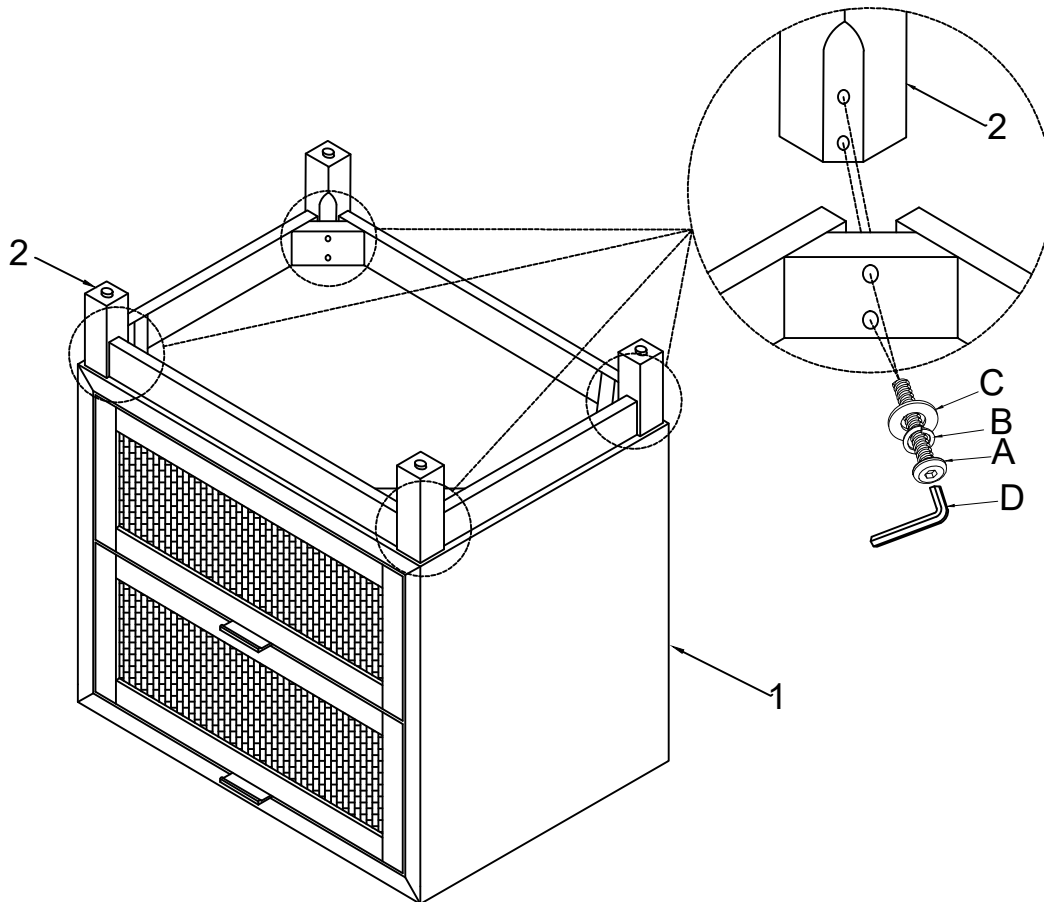
PARTS LIST

NO.	DIAGRAM	PART NAME	Q'Ty
1		Table Top	1pc
2		Leg	4pcs

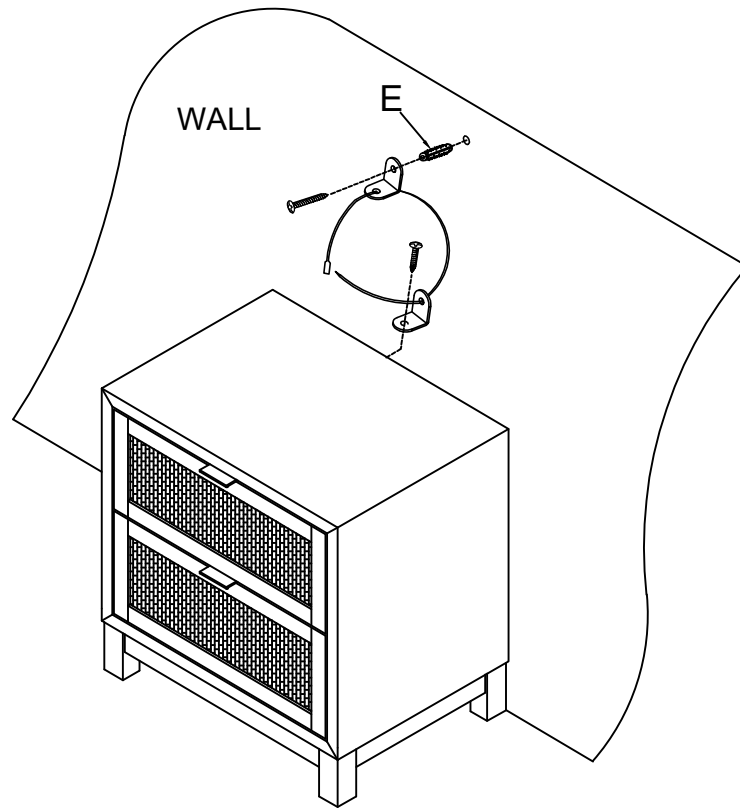
HARDWARE LIST

NO.	DIAGRAM	PART NAME	Q'Ty
A		Bolt Ø1/4" x 2"	8pcs
B		Lock washer Ø1/4"	8pcs
C		Washer Ø1/4" x 19mm	8pcs
D		Allen Key 4mm	1pc
E		Anti-tip Skit	1set

STEP 1



STEP 2



STEP 3

