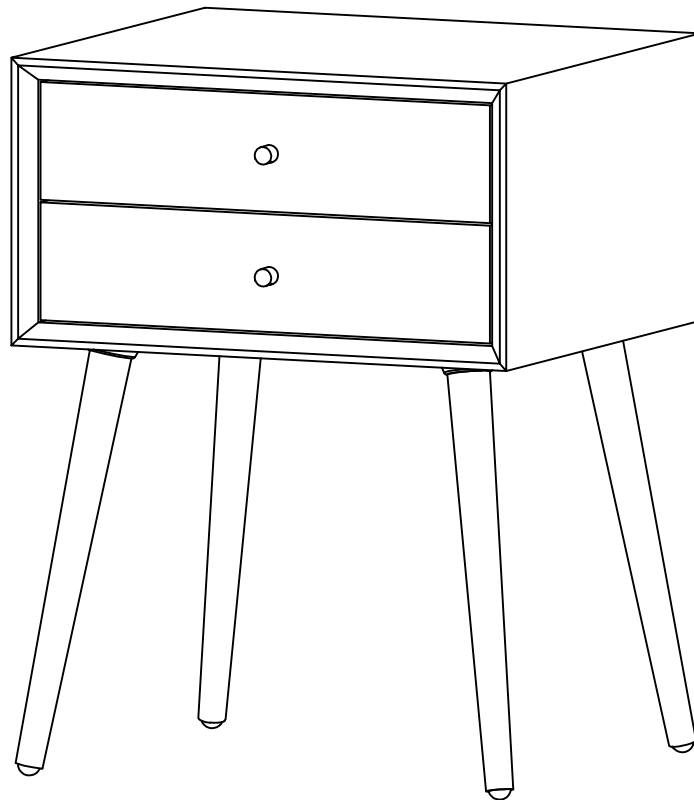


ASSEMBLY INSTRUCTIONS

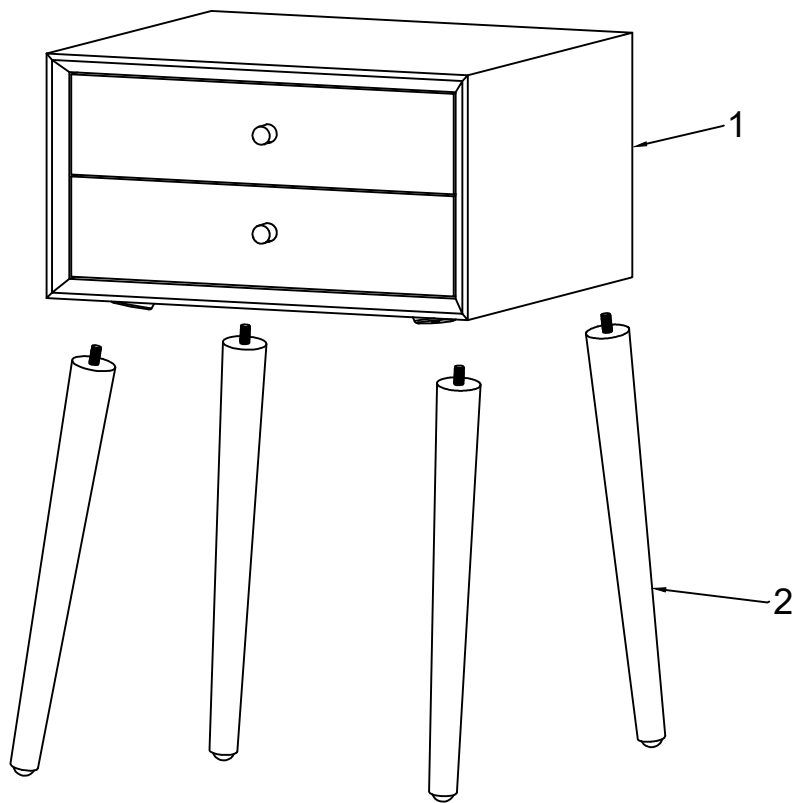
ITEM NO. FB6014HS




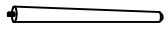
ASSEMBLY TIPS:

1. Remove hardware from box and sort by size.
2. Please check to see that all hardware and parts are present prior to start of assembly.
3. Please follow attached instructions in the same sequence as numbered to assure fast & easy assembly.

Exploded View



PARTS LIST

NO.	DIAGRAM	PART NAME	Q'Ty
1		Nightstand	1PC
2		Leg	4PCS

STEP 1

