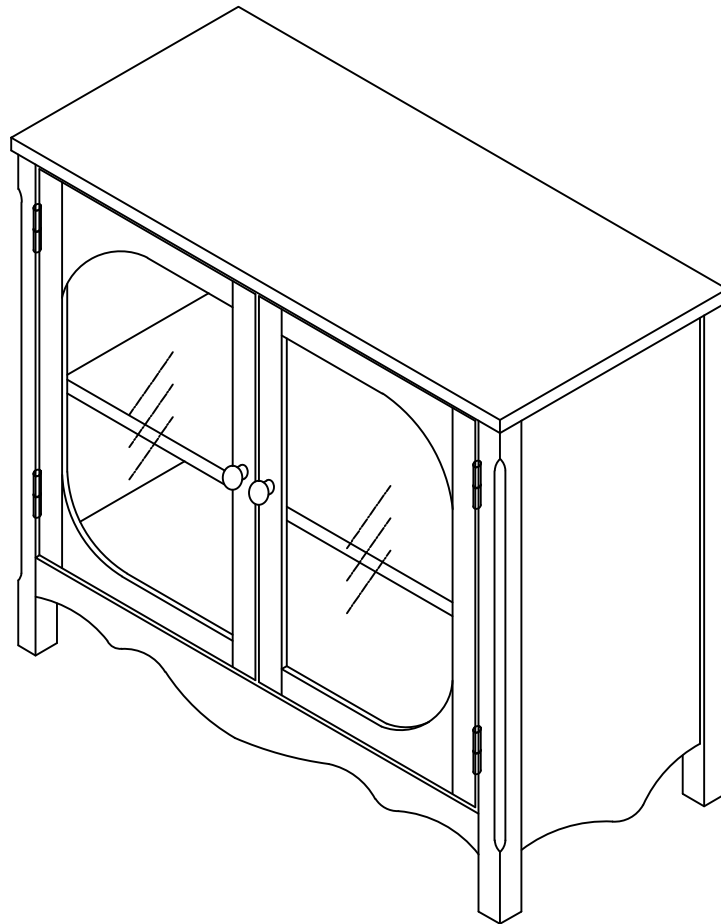


# ASSEMBLY INSTRUCTIONS

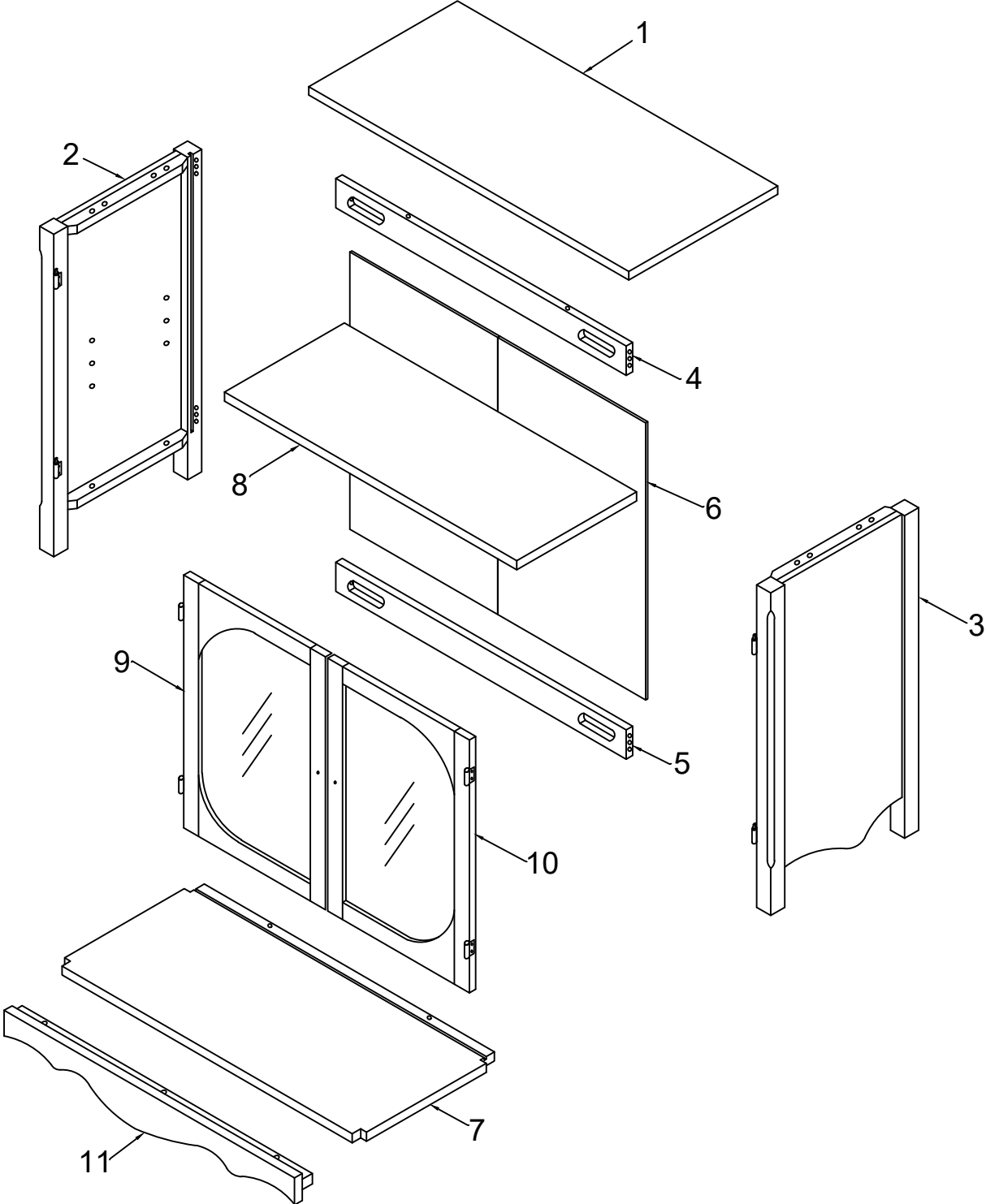
ITEM NO. FB6022HS



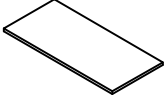




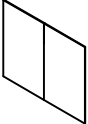
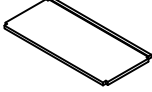
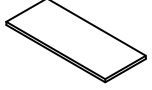



## ASSEMBLY TIPS:

1. Remove hardware from box and sort by size.
2. Please check to see that all hardware and parts are present prior to start of assembly.
3. Please follow attached instructions in the same sequence as numbered to assure fast & easy assembly.






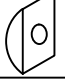


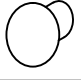


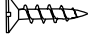
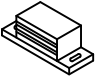
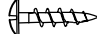

# Exploded View



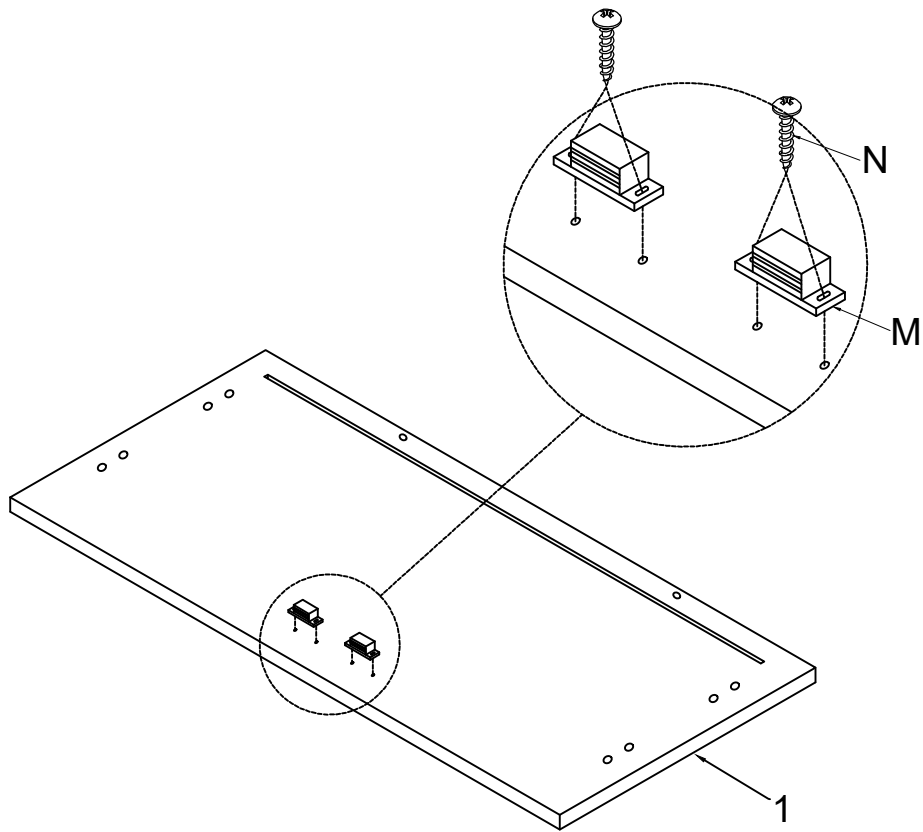
## PARTS LIST

NO.	DIAGRAM	PART NAME	Q'Ty
1		Top Panel	1pc
2		Side Frame (Left)	1pc
3		Side Frame (Right)	1pc
4		Top Stretcher	1pc
5		Bottom Stretcher	1pc
6		Back Panel	1pc
7		Bottom Panel	1pc
8		Shelf	1pc
9		Door (Left)	1pc
10		Door (Right)	1pc
11		Bottom front side	1pc

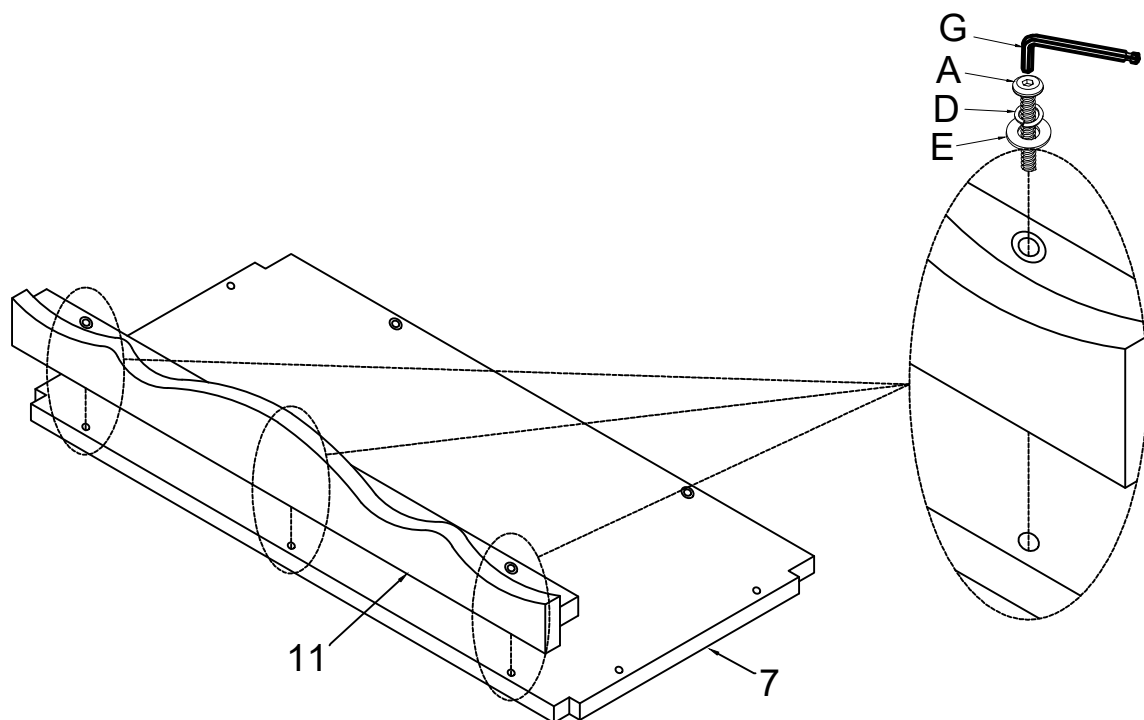
## HARDWARE LIST

NO.	DIAGRAM	PART NAME	Q'Ty
A		Bolt Ø1/4" x 1"	13pcs
B		Bolt Ø1/4" x 2-3/16"	4pcs
C		Bolt Ø1/4" x 2-3/4"	2pcs
D		Lock washer Ø1/4"	15pcs
E		Washer Ø1/4" x 13mm	15pcs
F		Crescent pad	4pcs
G		Allen Key 4mm	1pc
H		Wood Dowel Ø8 x 20mm	12pcs
I		Handle	2pcs
J		Bolt Ø5/32" x 1"	2pcs
K		Shelf pin	4pcs
L		Screw M3 x 12mm	4pcs
M		Magnetic Catch	2pcs
N		Screw M3 x 15mm	4pcs
O		Anti-tip Skit	1set

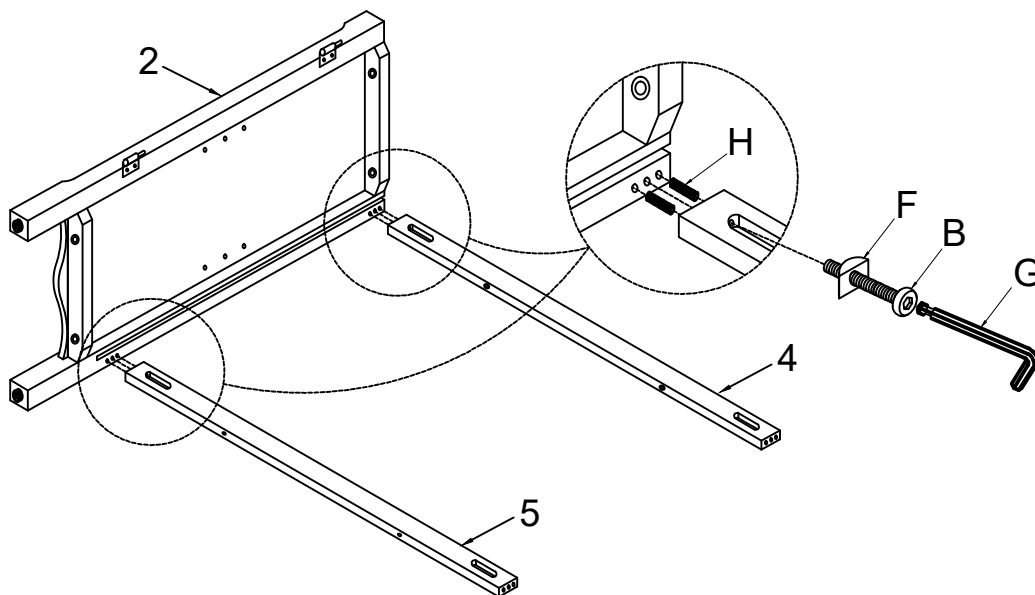
# STEP 1



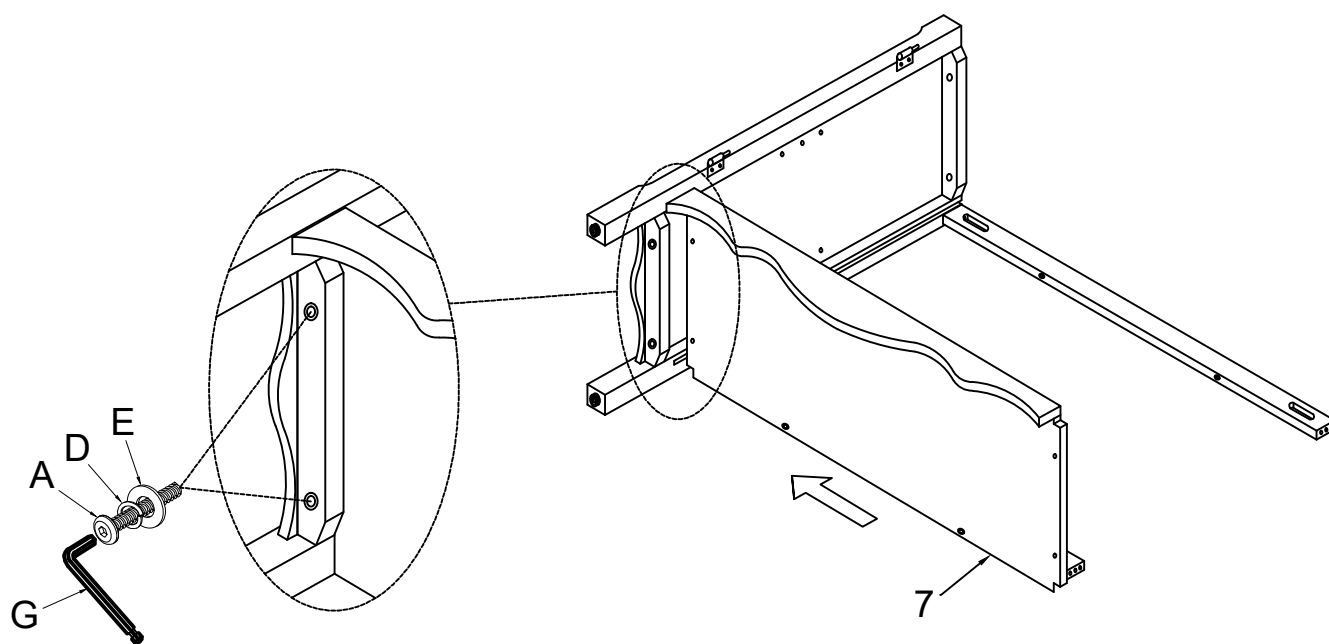
# STEP 2



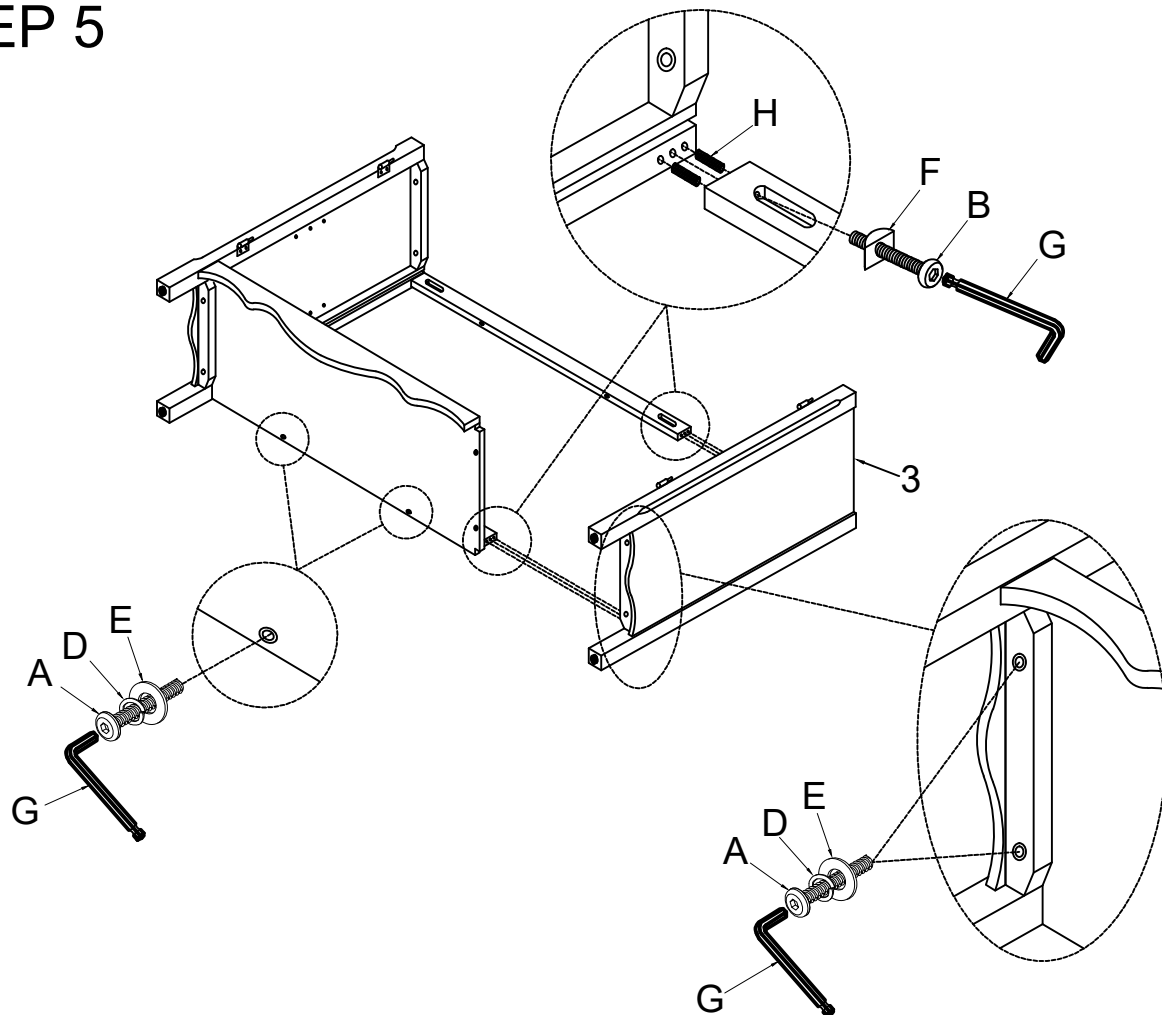
# STEP 3



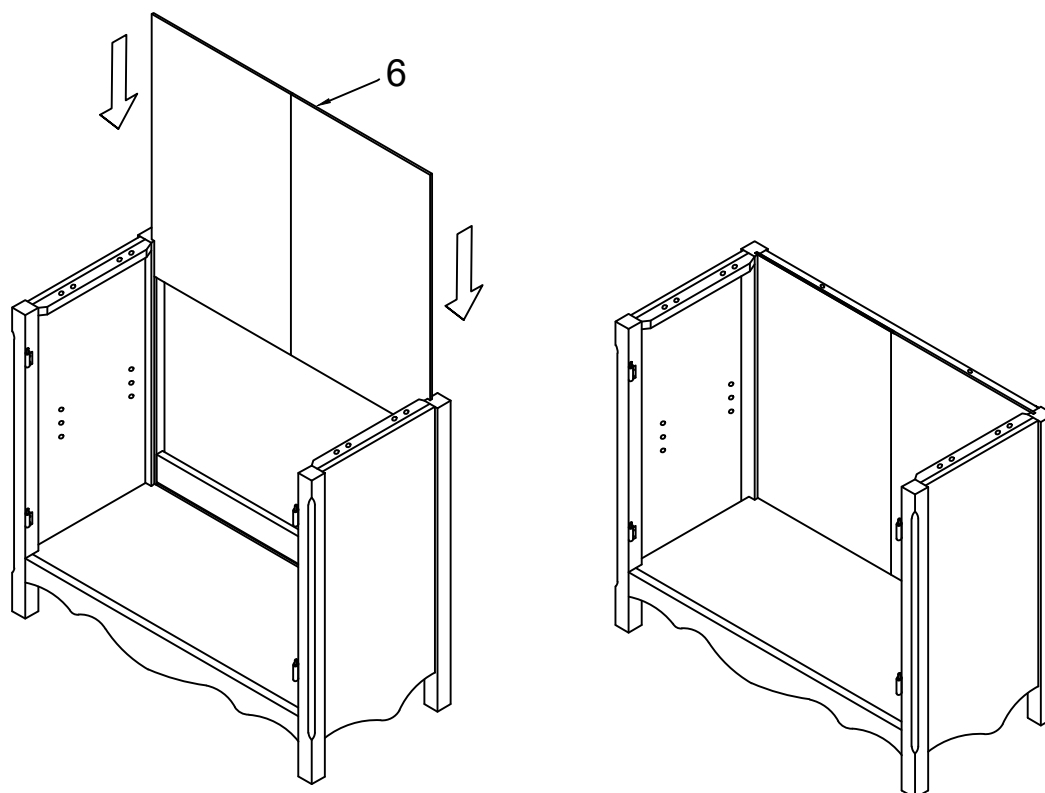
# STEP 4



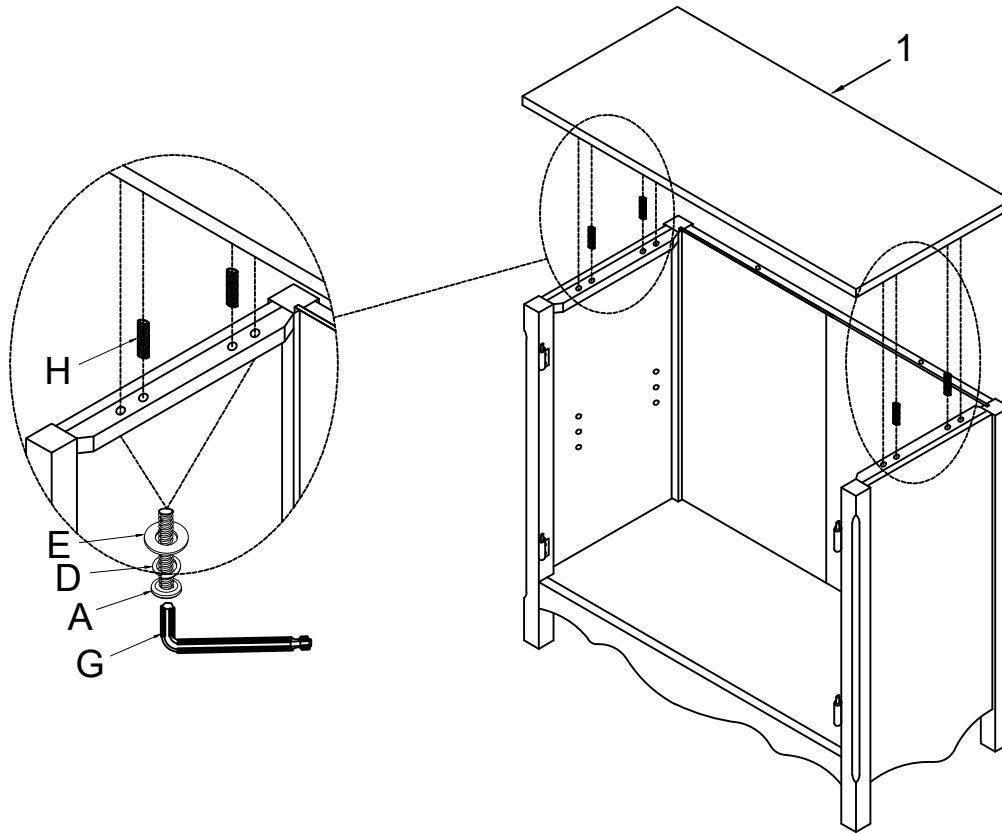
# STEP 5



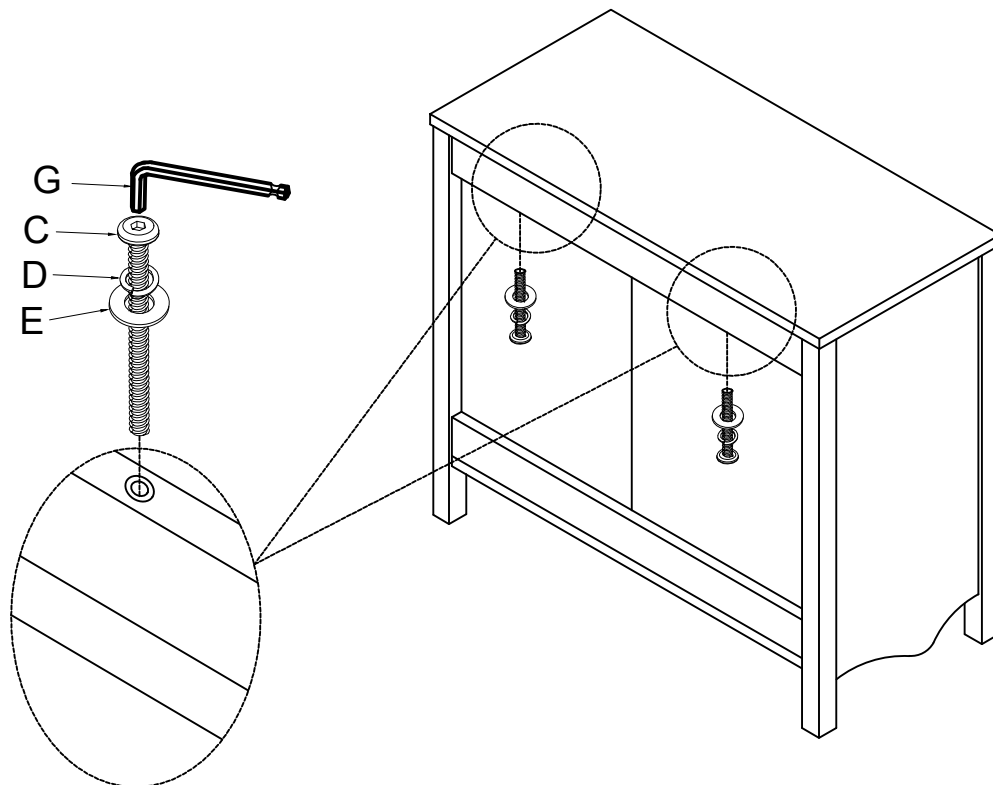
# STEP 6



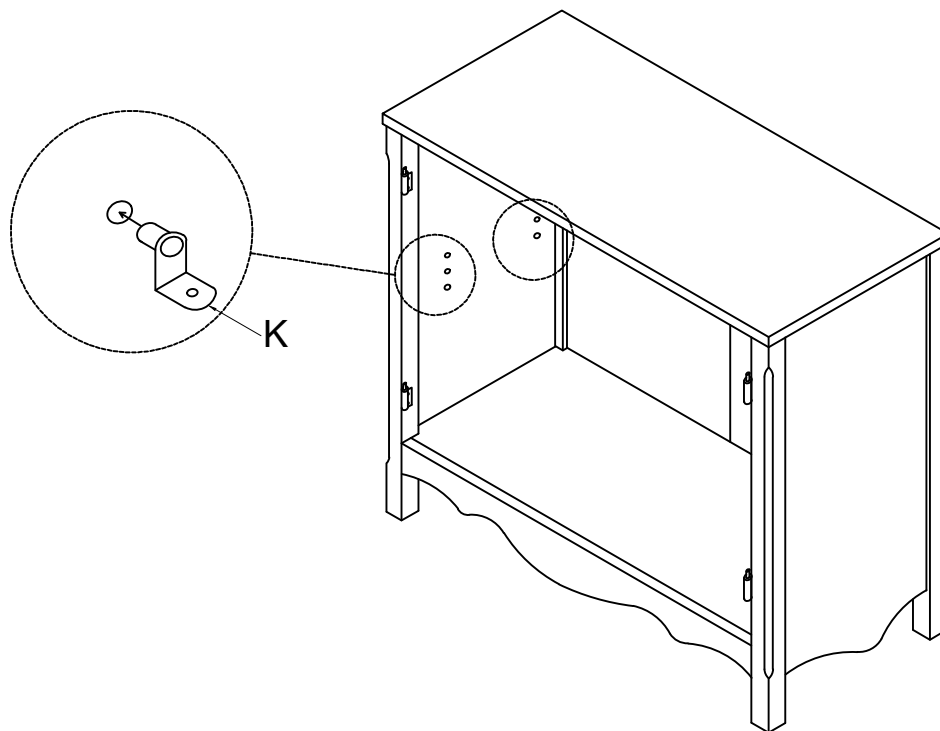
# STEP 7



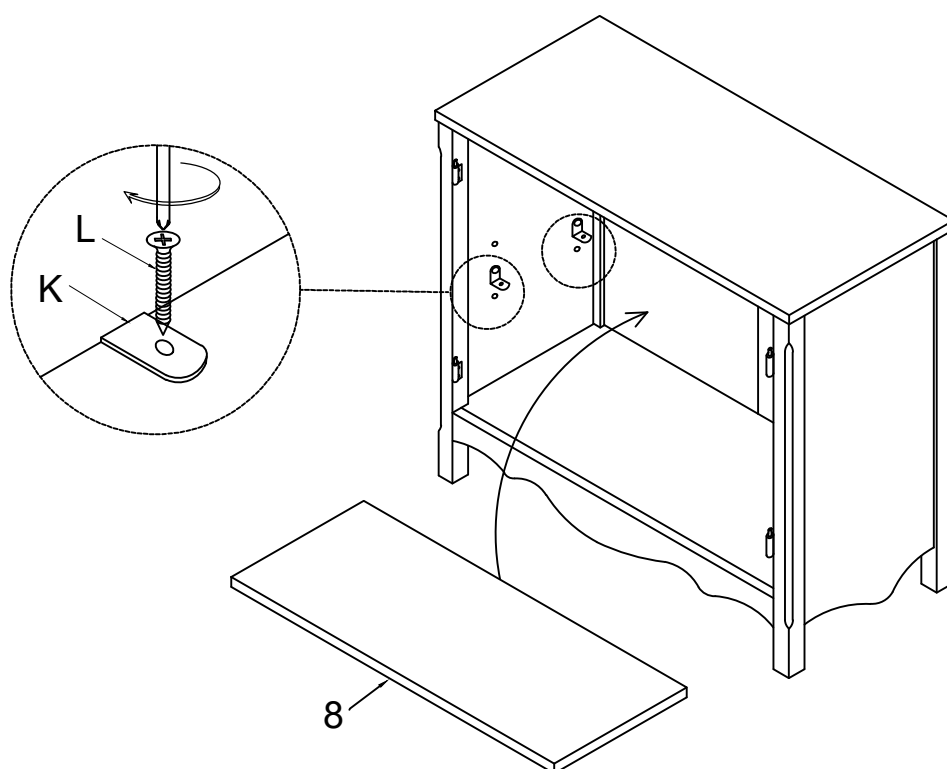
# STEP 8



# STEP 9

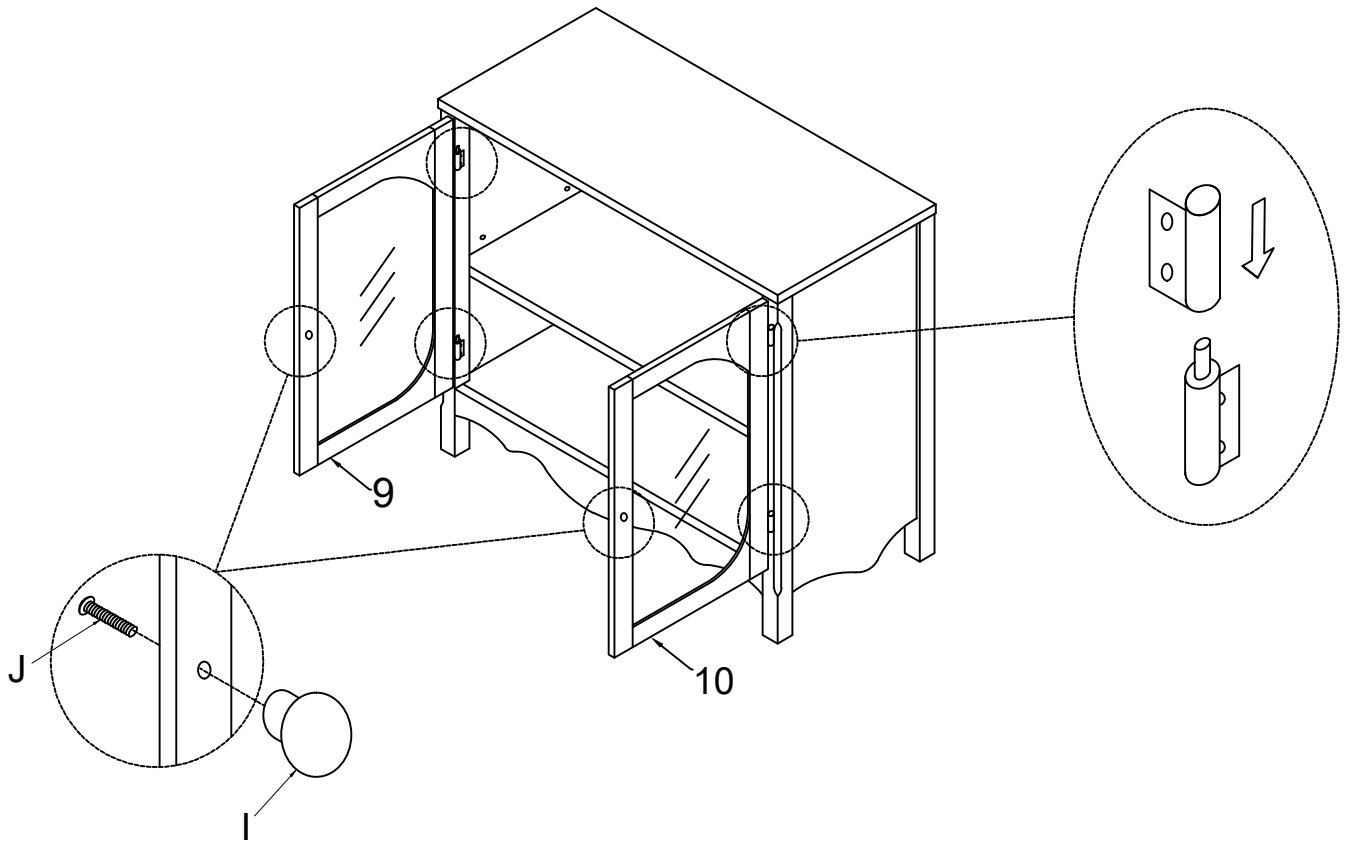


# STEP 10

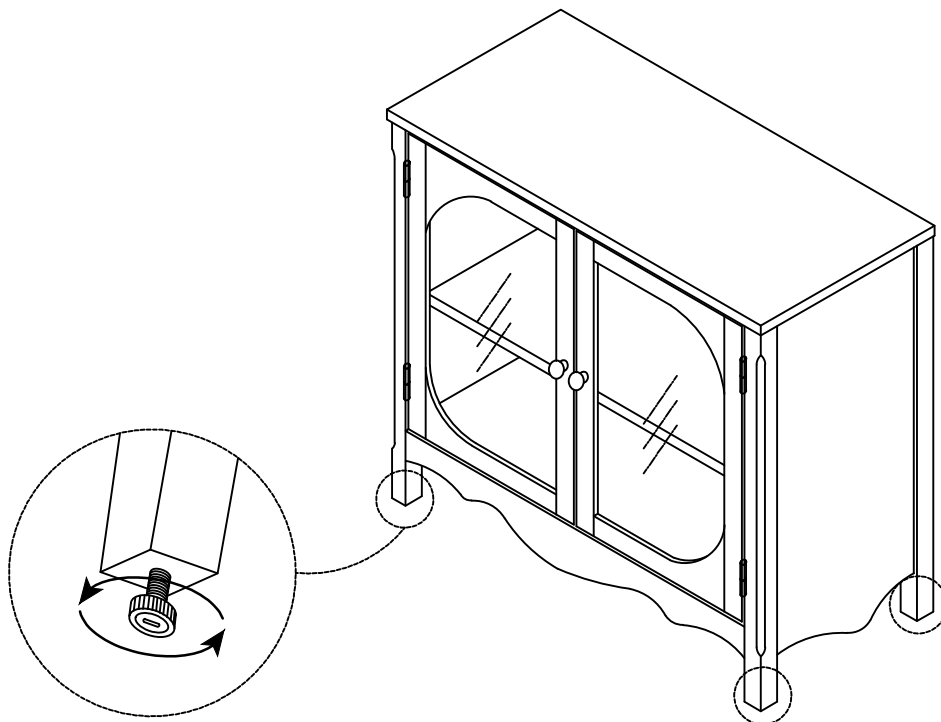




# STEP 11



# STEP 12



# STEP 13

