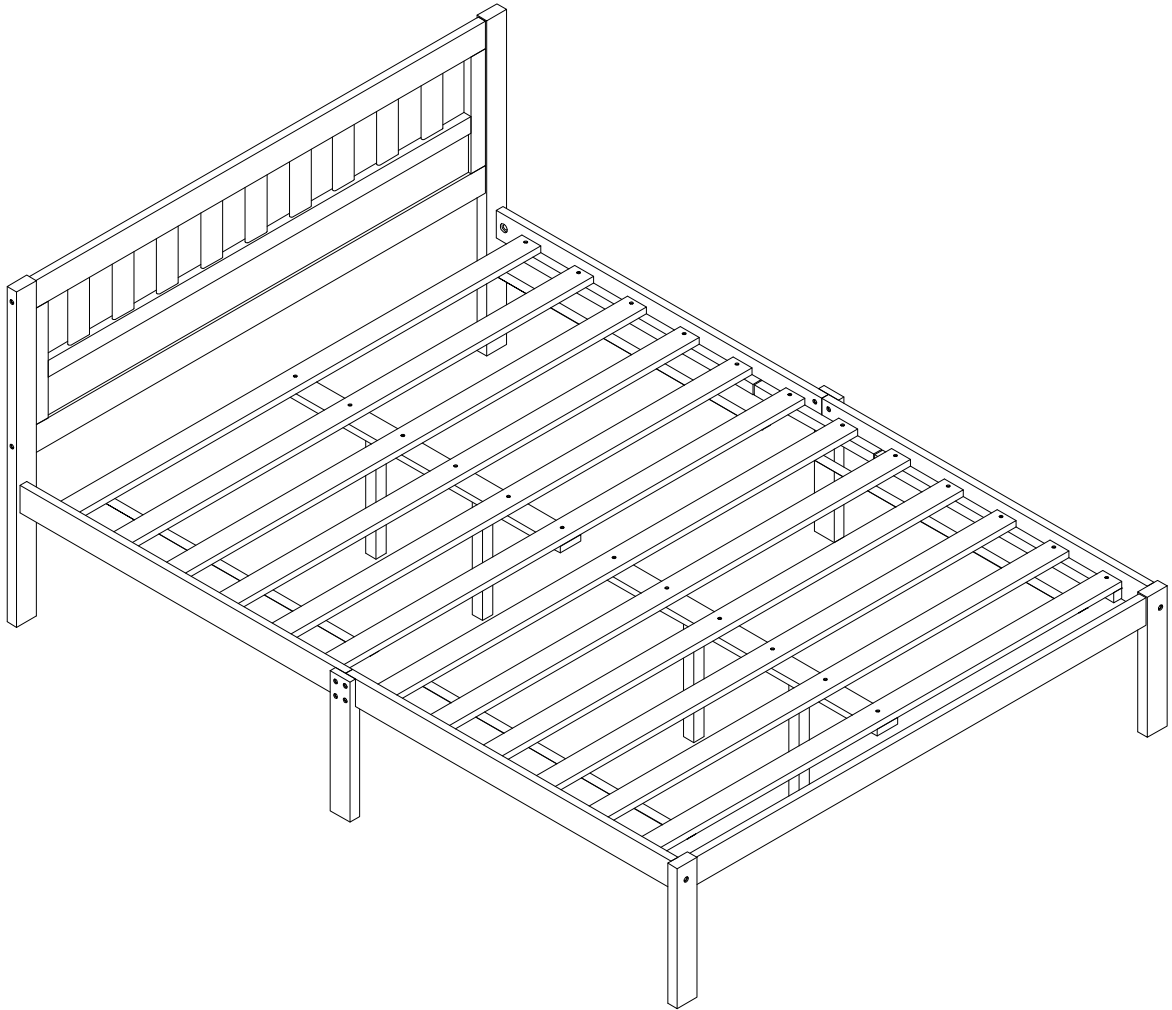


ASSEMBLY INSTRUCTIONS

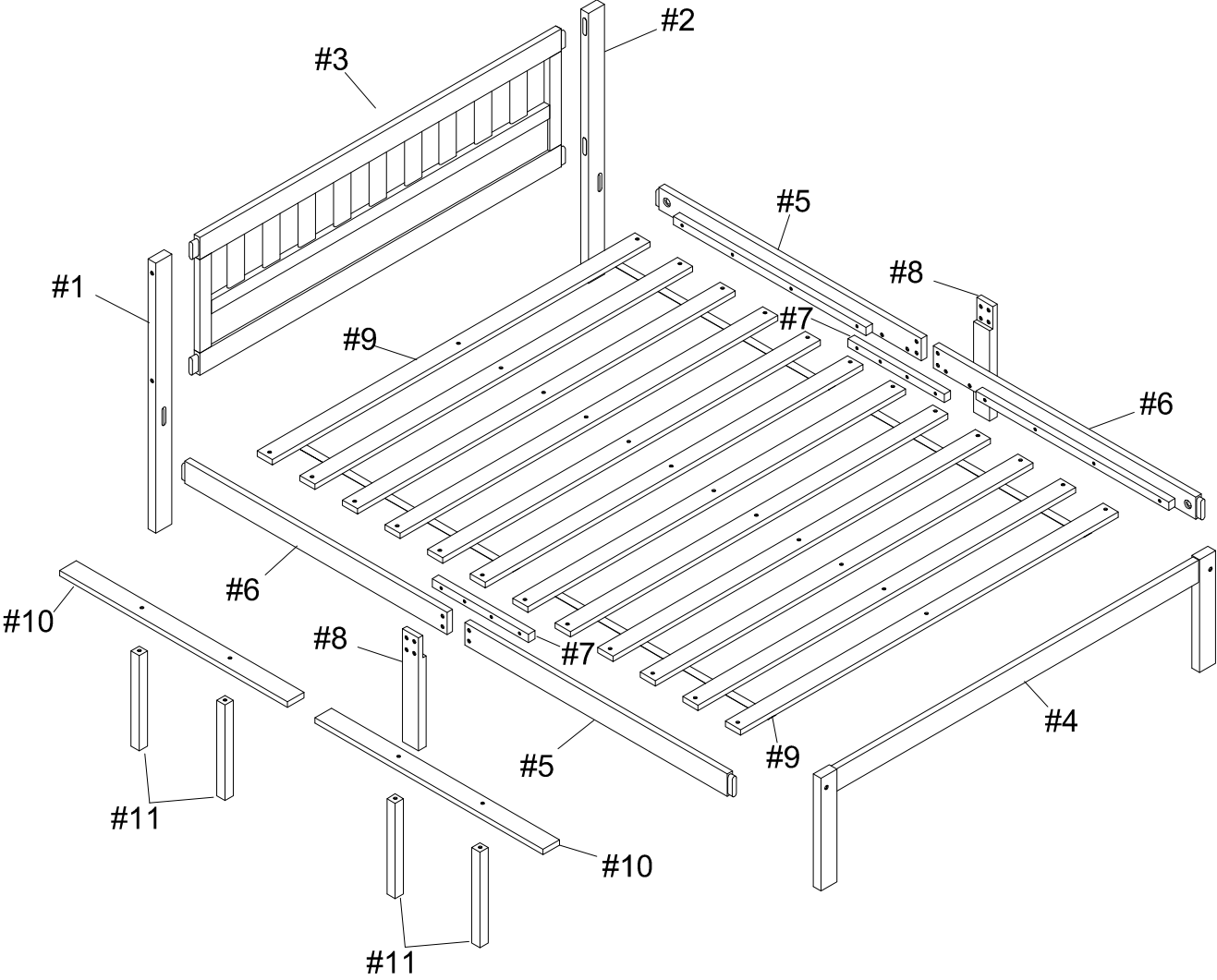
ITEM NO. FB1013-F

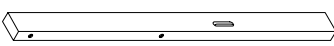



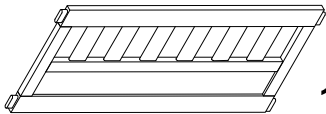

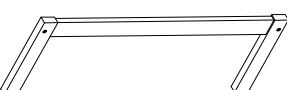
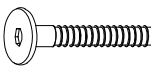
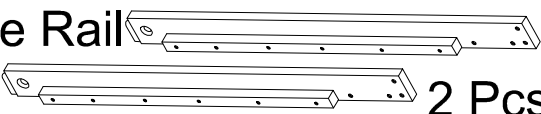
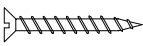
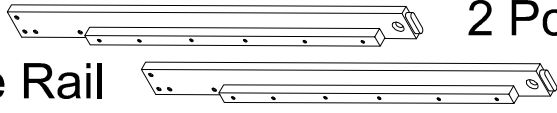

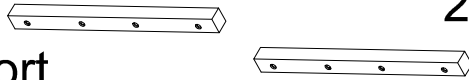
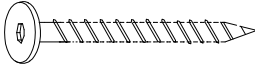
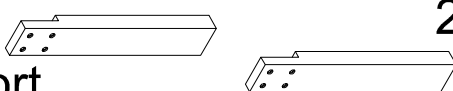
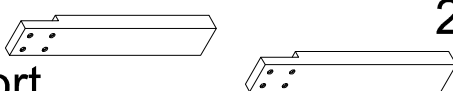
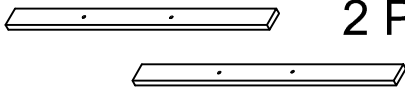
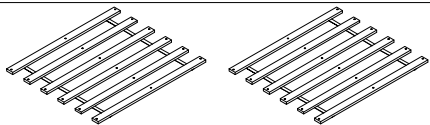
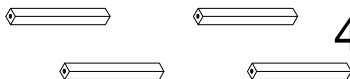


IMPORTANT NOTE:

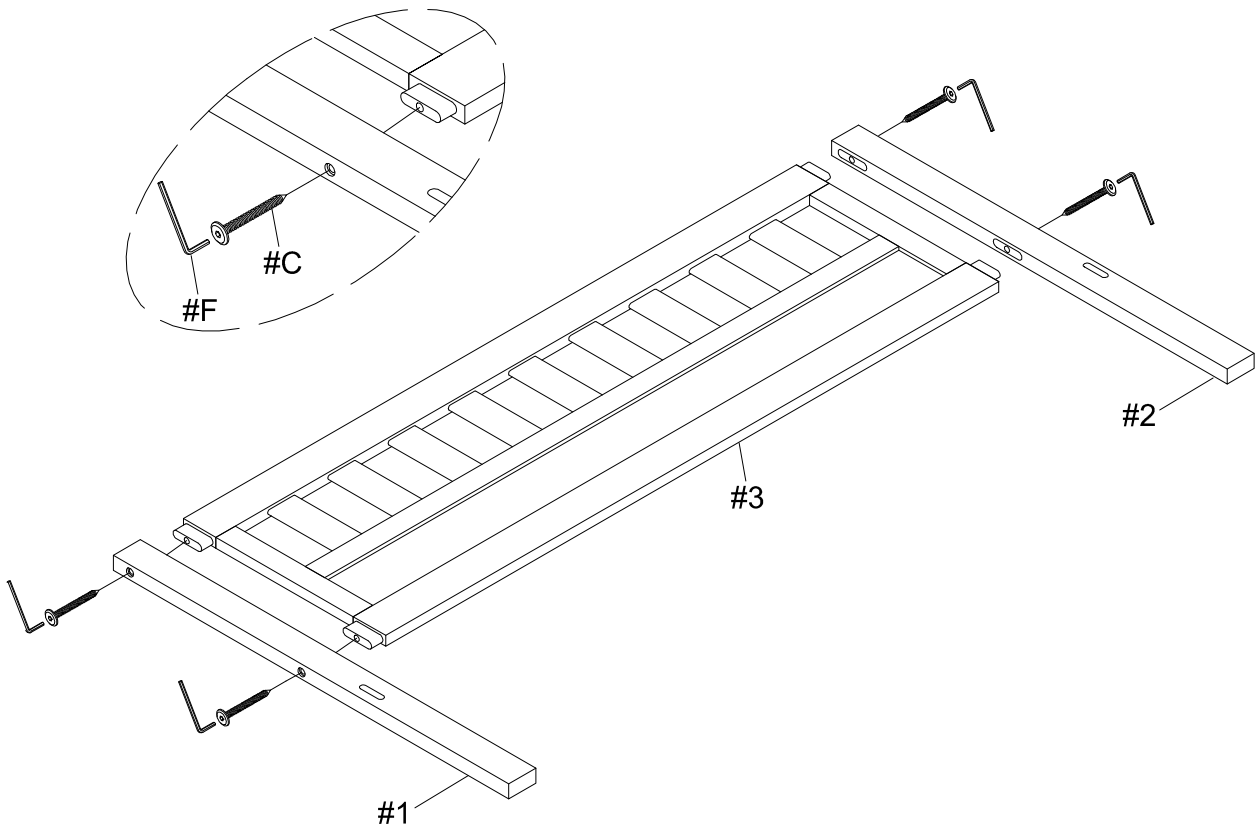
- ① PLACE ALL PARTS ON A CLEAN AND SMOOTH SURF ACE SUCH AS A RUG OR CARPET TO AVOID THE PARTS FROM BEING SCRATCHED.
- ② BEFORE TOU BEGIN, KINDLKY FOLLOW THE ASSEBLY INSTRUCTIONS STEP BY.
- ③ DO NOT TIGHTEN ALL SCREWS AND BOLTS UNTIL THE CHAIR IS FULLY SET-UP.

Exploded View

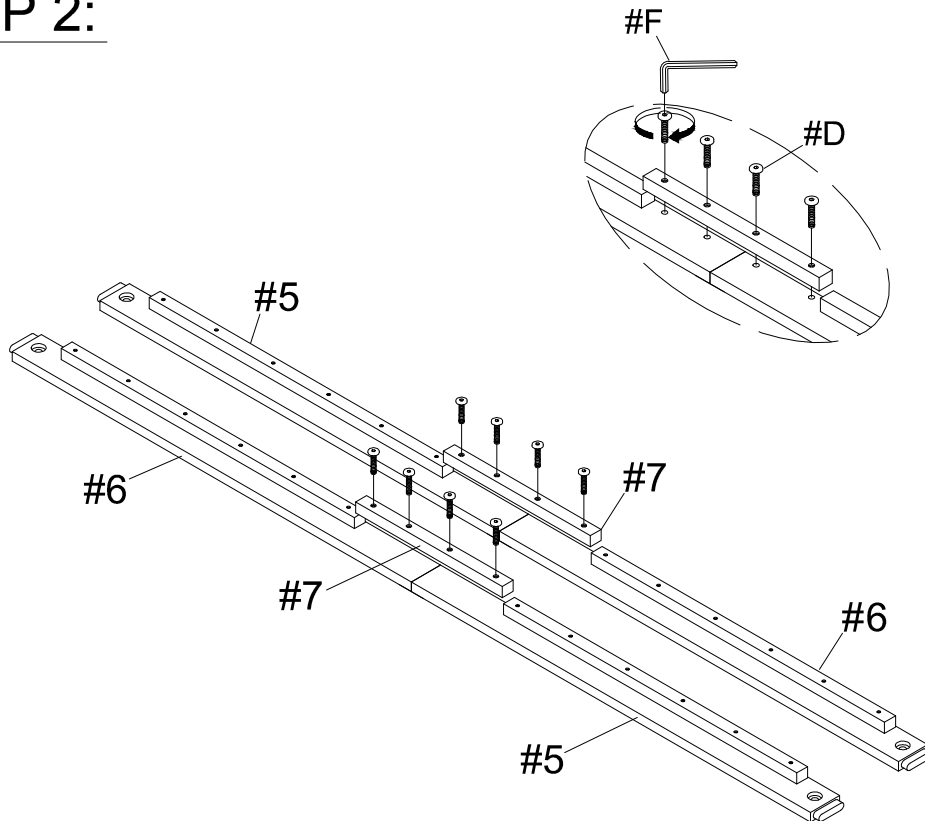


Part List		Hardware List			
①		1 Pc	①		4 Pcs
②		1 Pc	②		4 Pcs
③		1 Pc	③		4 Pcs
④		1 Pc	④		16 Pcs
⑤		2 Pcs	⑤		36 Pcs
⑥		2 Pcs	⑥		1 Pc
⑦		2 Pcs	⑦		4 Pcs
⑧		2 Pcs	Part List		
⑧		2 Pcs	⑩		2 Pcs
⑨		2 Set	⑪		4 Pcs

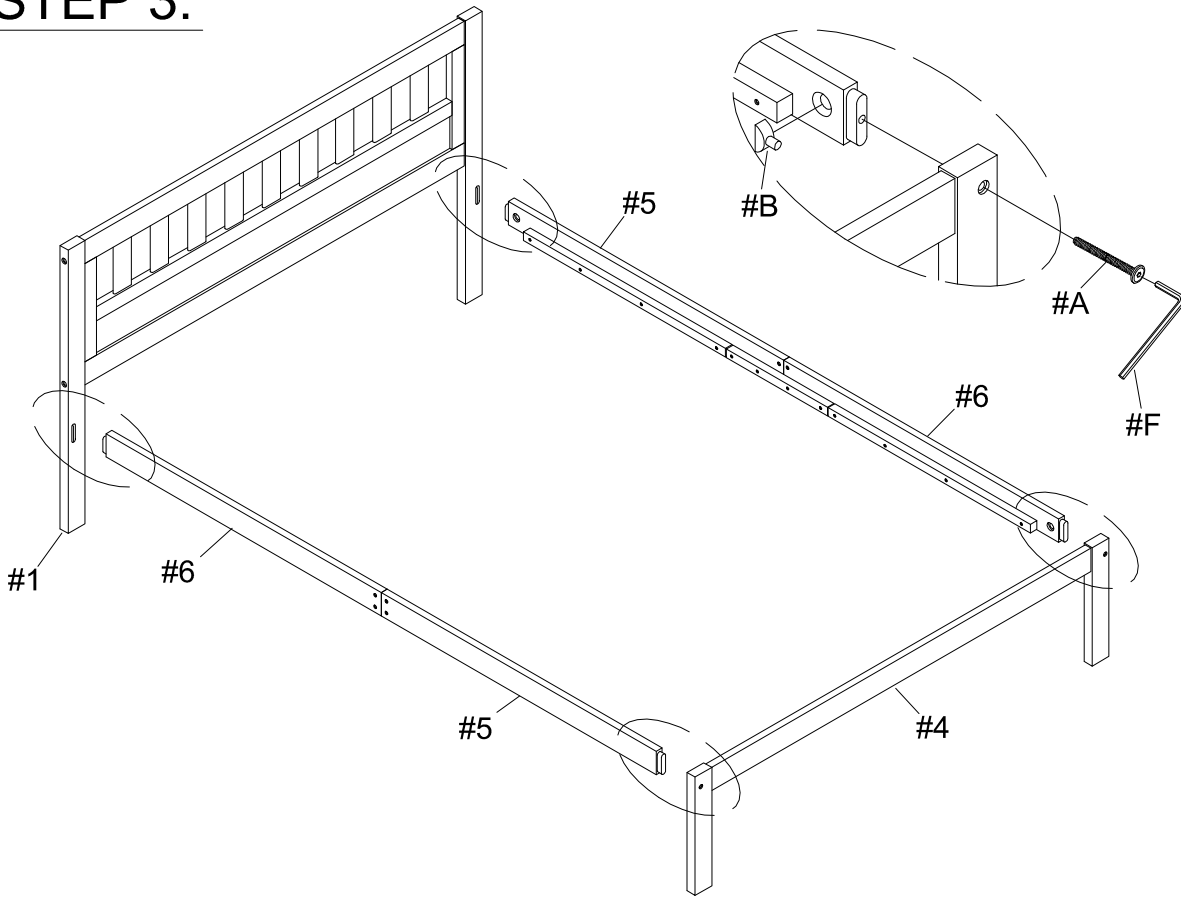
STEP 1:



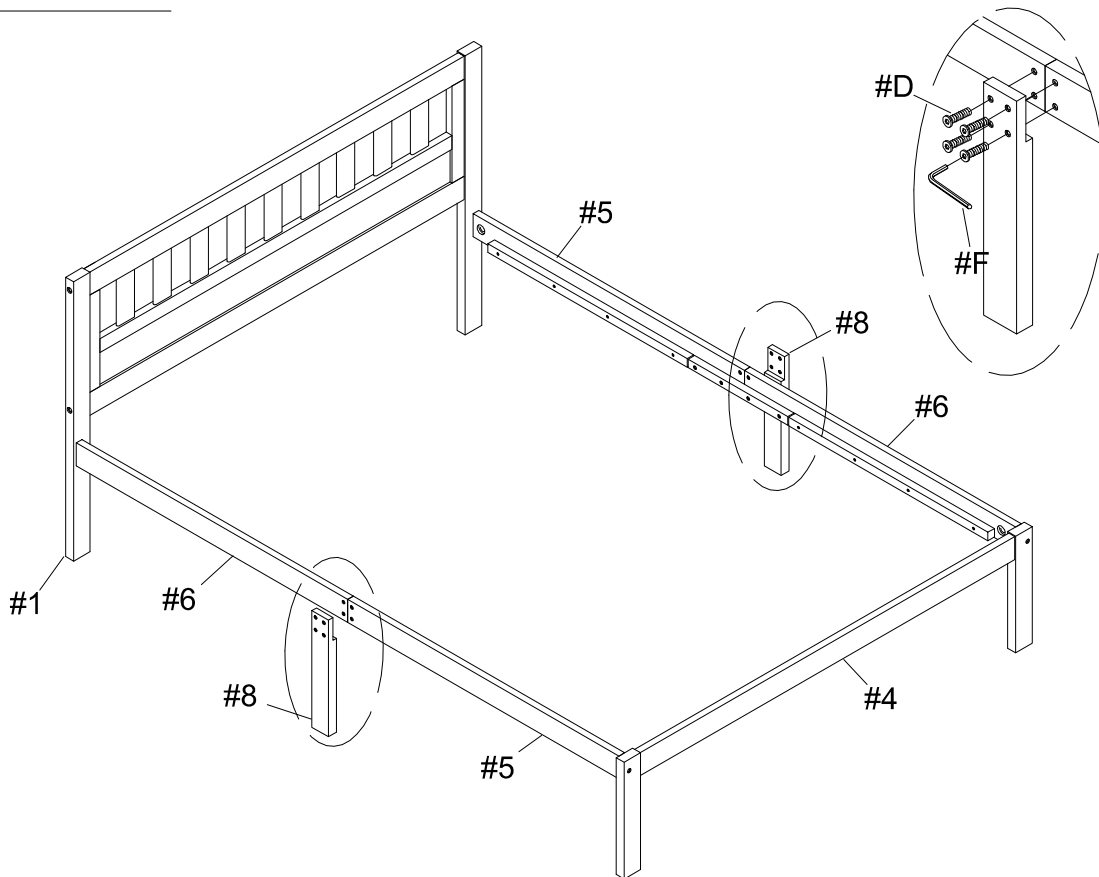
STEP 2:



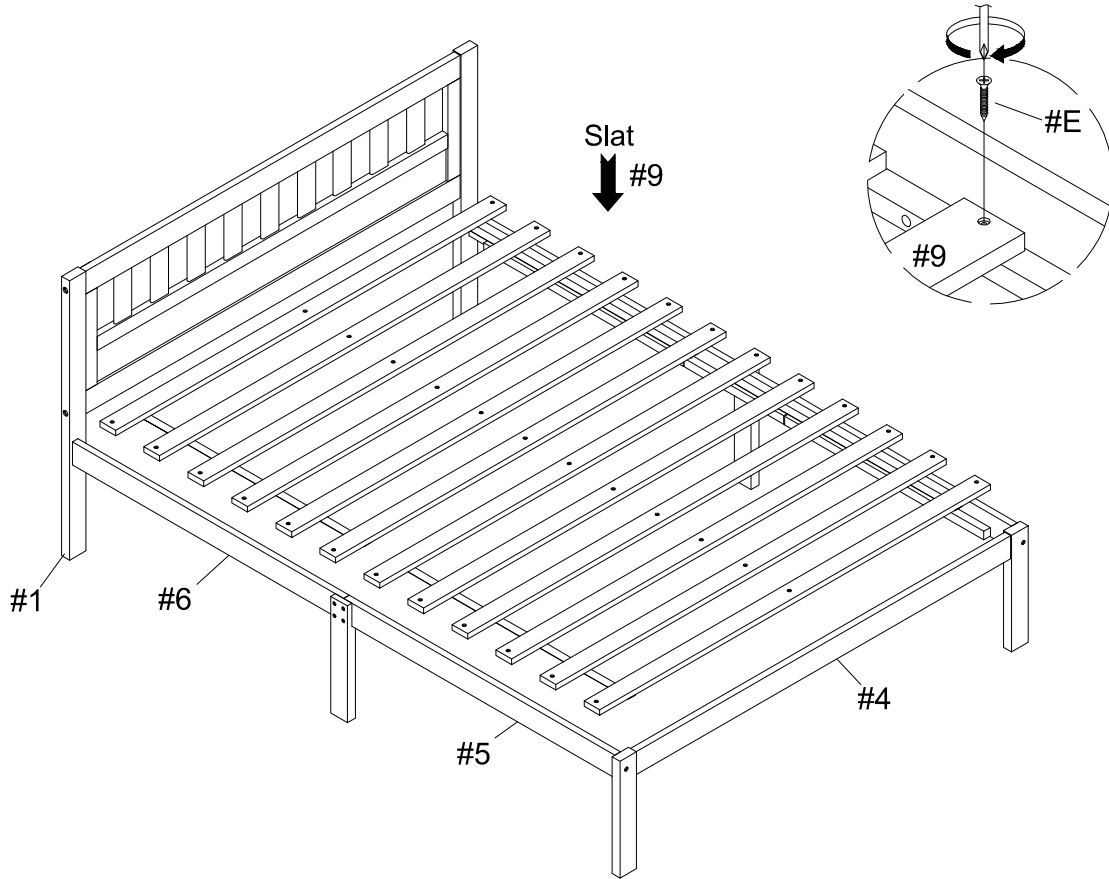
STEP 3:



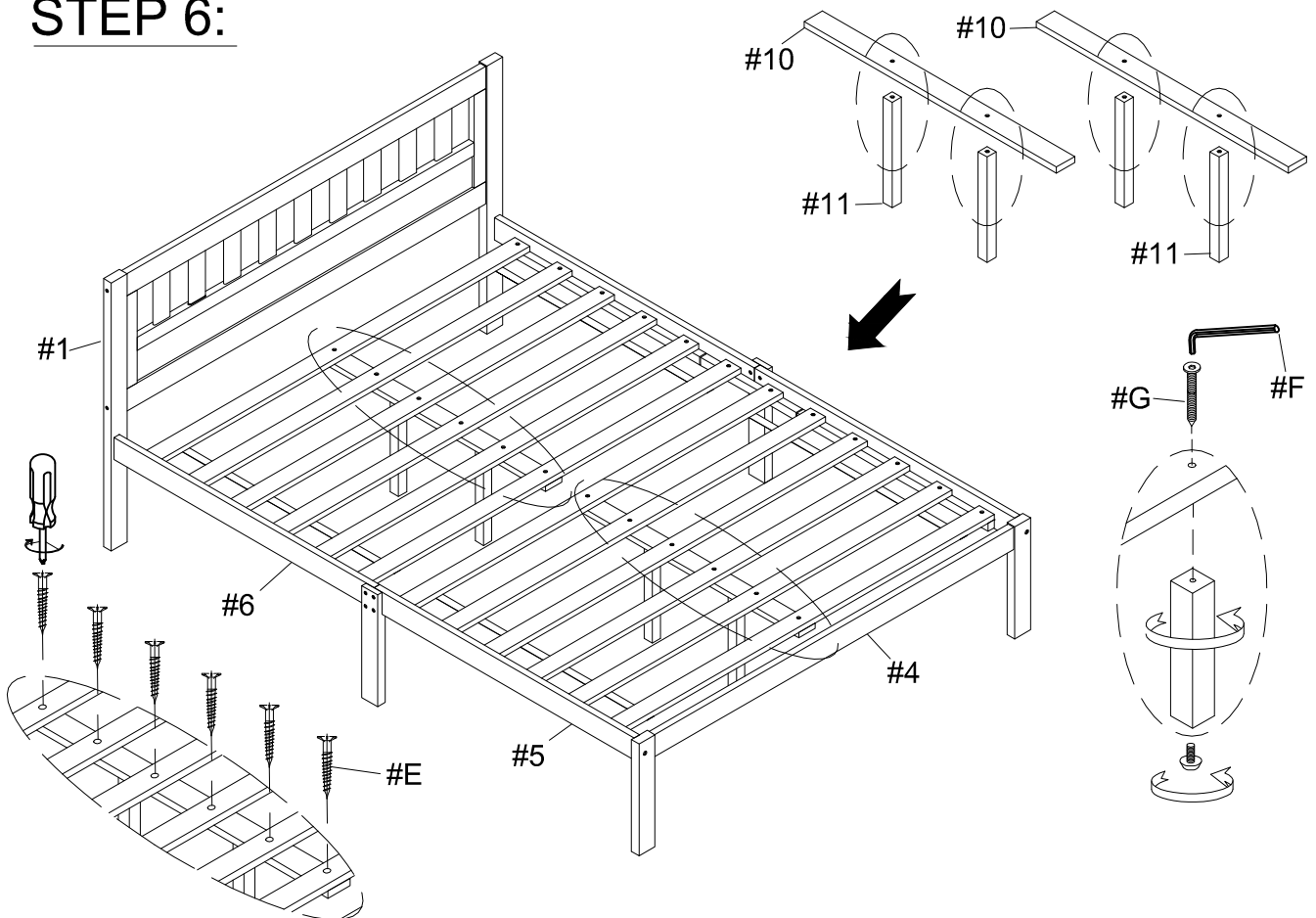
STEP 4:



STEP 5:



STEP 6:



COMPLETED :

