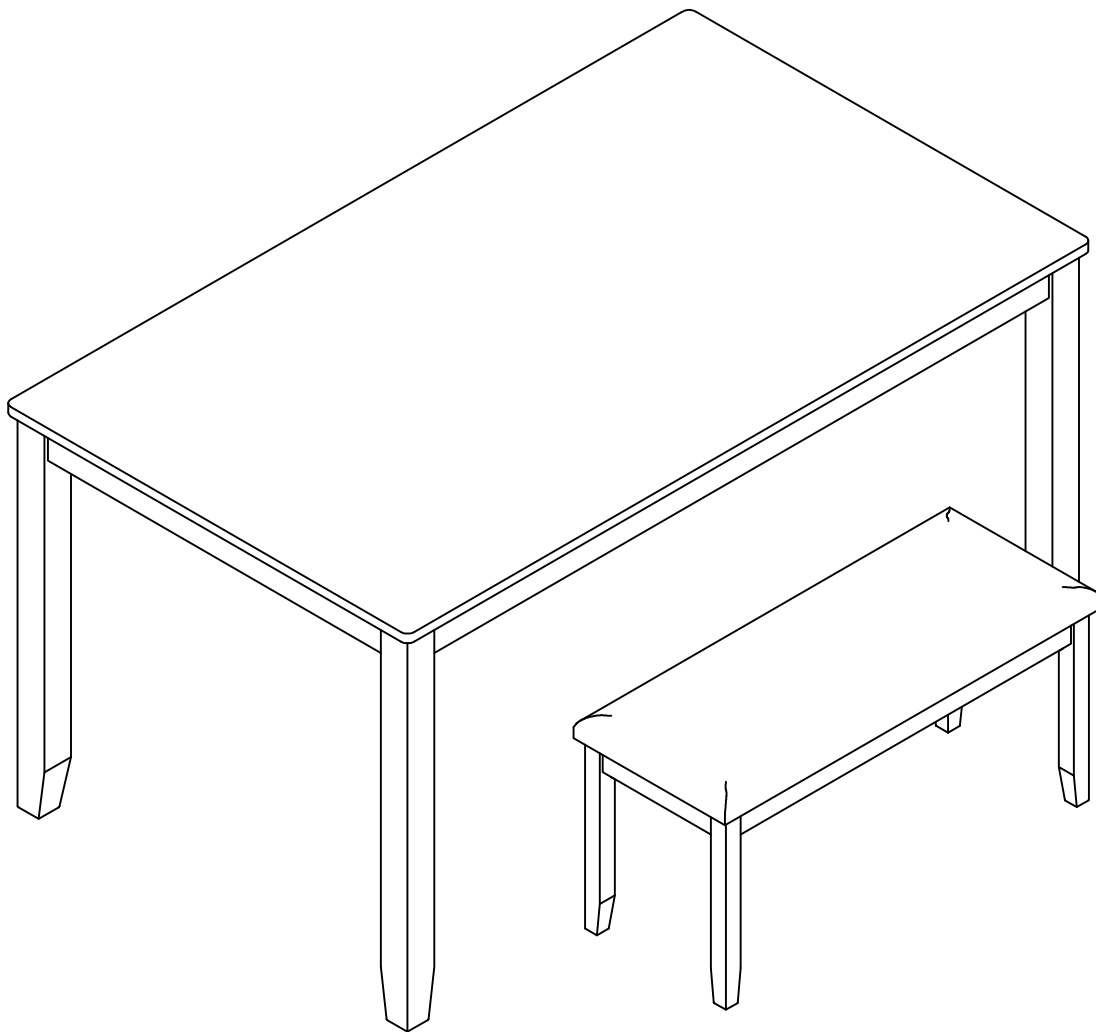


ASSEMBLY INSTRUCTIONS

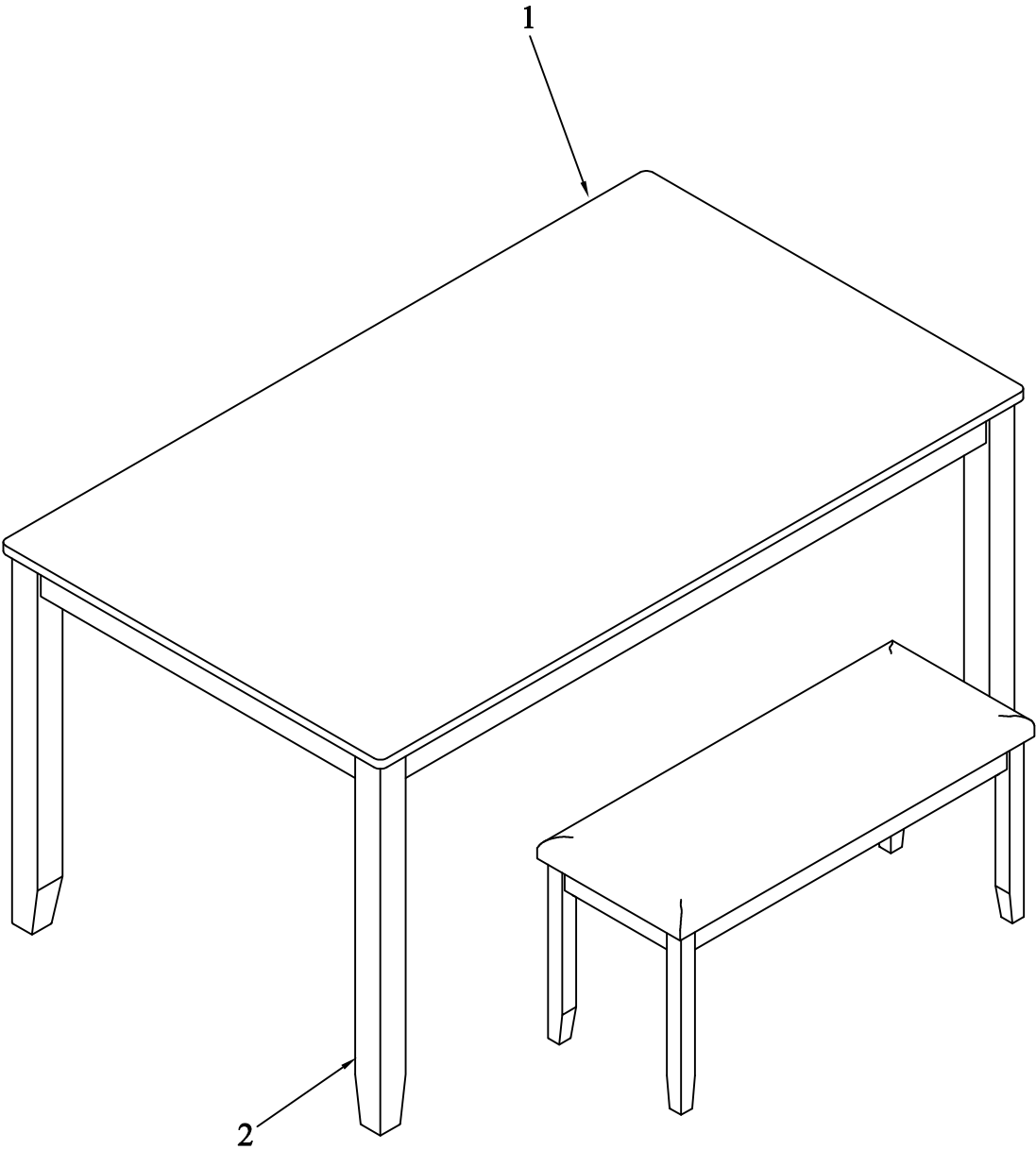
ITEM NO. FB3010CST-GY-T-3559+BE
FB3010CST-WA-T-3559+BE





ASSEMBLY TIPS:

1. Remove hardware from box and sort by size.
2. Please check to see that all hardware and parts are present prior to start of assembly.
3. Please follow attached instructions in the same sequence as numbered to assure fast & easy assembly.





Exploded View



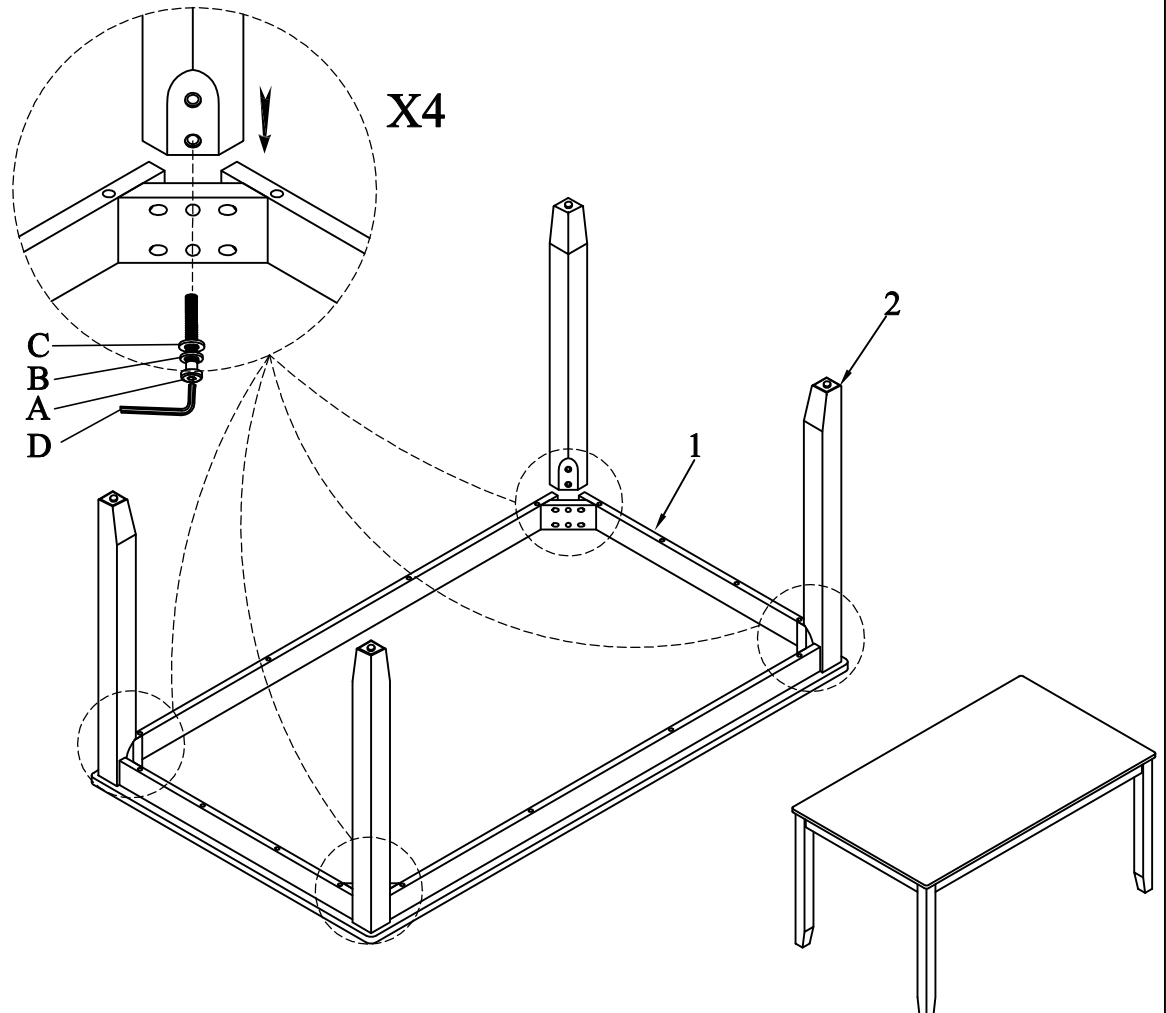
PARTS LIST

NO.	DIAGRAM	PART NAME	Q'Ty
1		TABLE TOP	1PC
2		LEG	4PCS

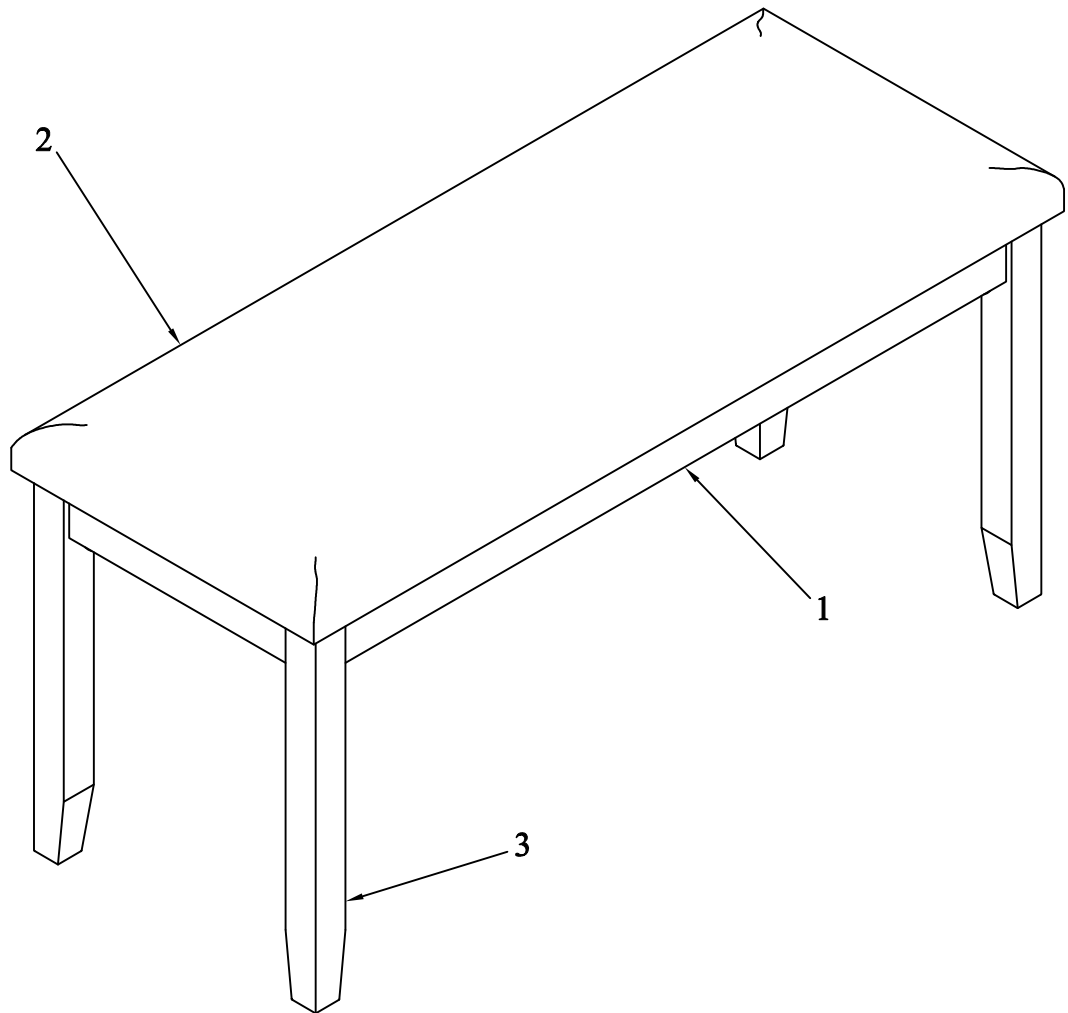
HARDWARE LIST

NO.	DIAGRAM	PART NAME	Q'Ty
A		BOLT / BOULON Ø5/16" x2-3/8"	8PCS
B		LOCK WASHER Ø5/16"1/16	8PCS
C		FLAT WASHER Ø5/16"x 19mm	8PCS
D		ALLEN KEY 1/6" x 2-1/4"	1PC

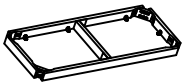
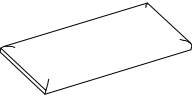
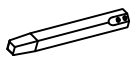
STEP 1:








Exploded View



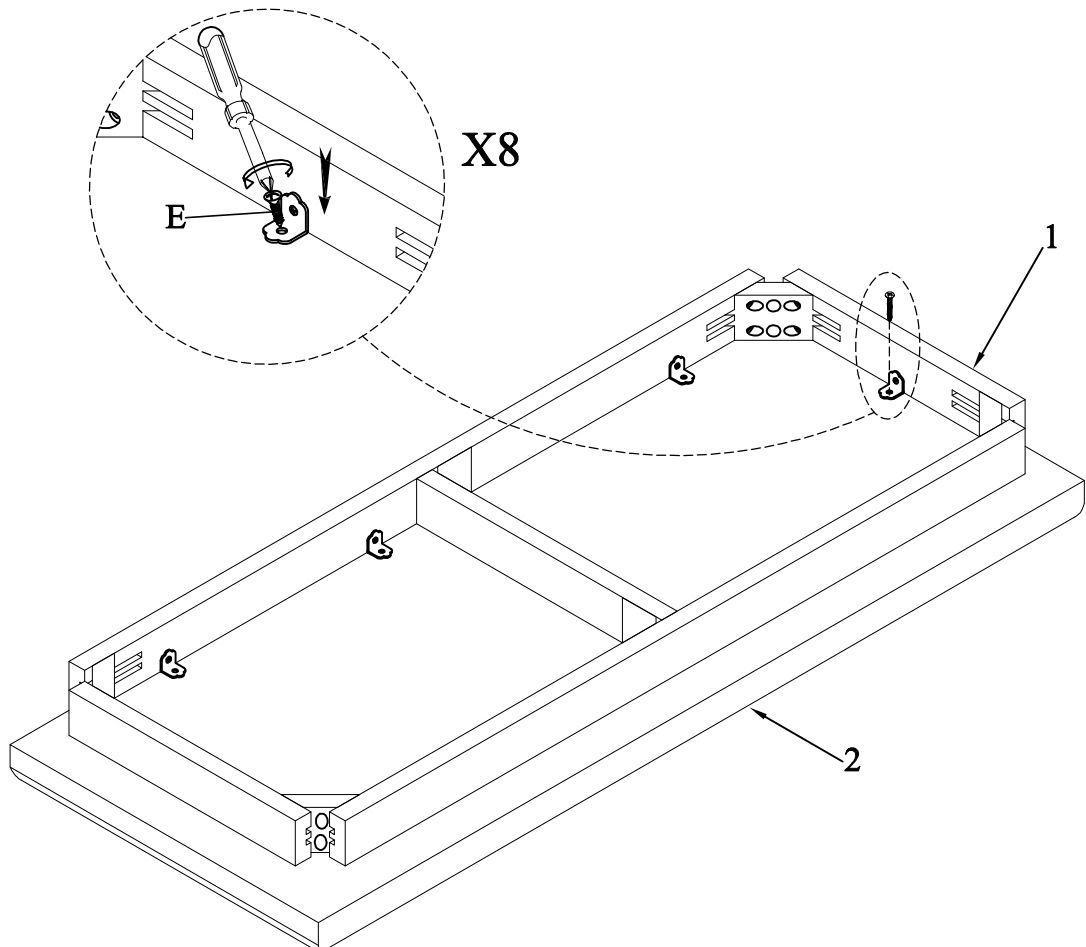
PARTS LIST

NO.	DIAGRAM	PART NAME	Q'Ty
1		SEAT FRAME	1PC
2		CUSHION	1PC
3		LEG	4PCS

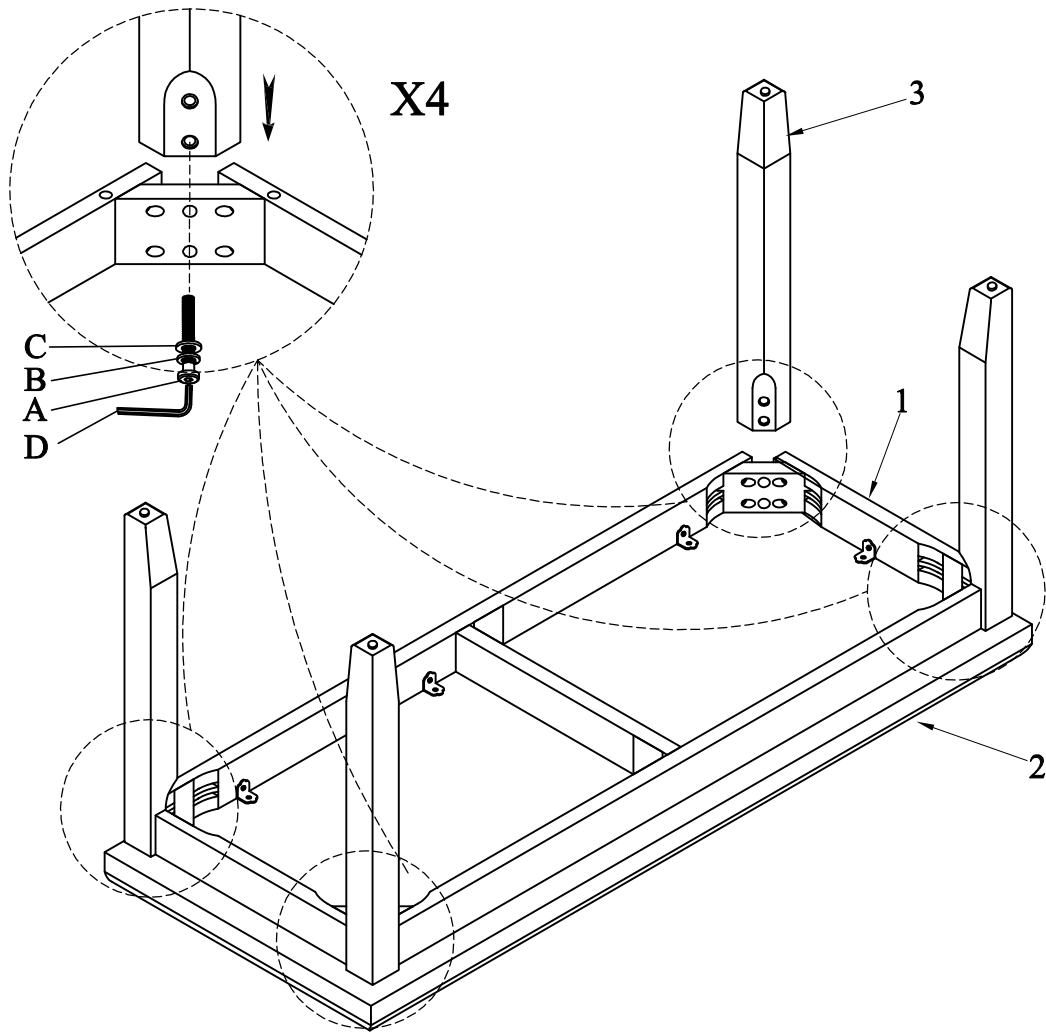
HARDWARE LIST

NO.	DIAGRAM	PART NAME	Q'Ty
A		BOLT / BOULON Ø1/4" x2-3/8"	8PCS
B		LOCK WASHER Ø1/4"1/16	8PCS
C		FLAT WASHER Ø1/4"x 19mm	8PCS
D		ALLEN KEY 1/6" x 2-1/4"	1PC
E		SCREW #3x15mm	8PCS

STEP 1:



STEP 2:



COMPLETED :

