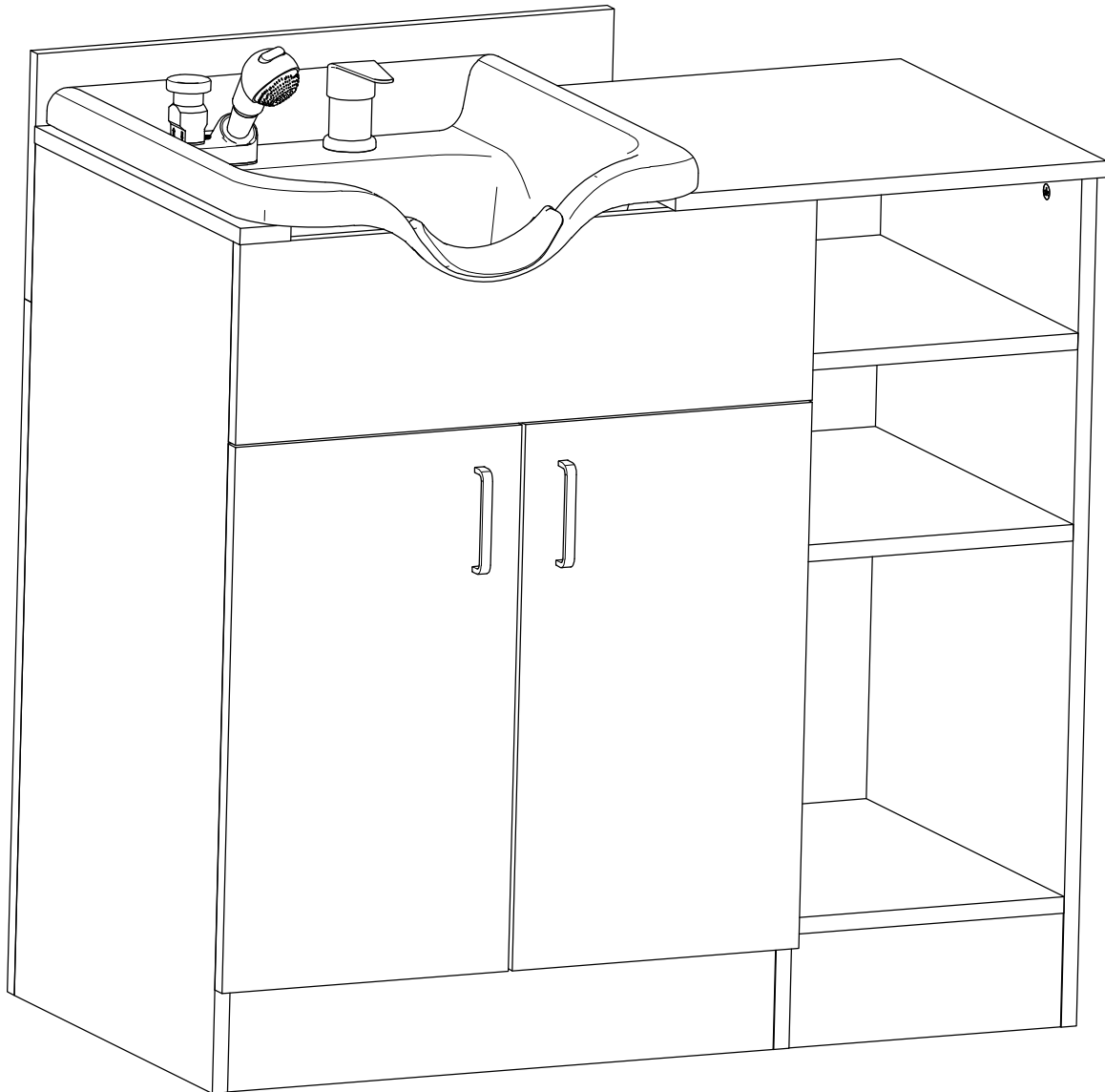


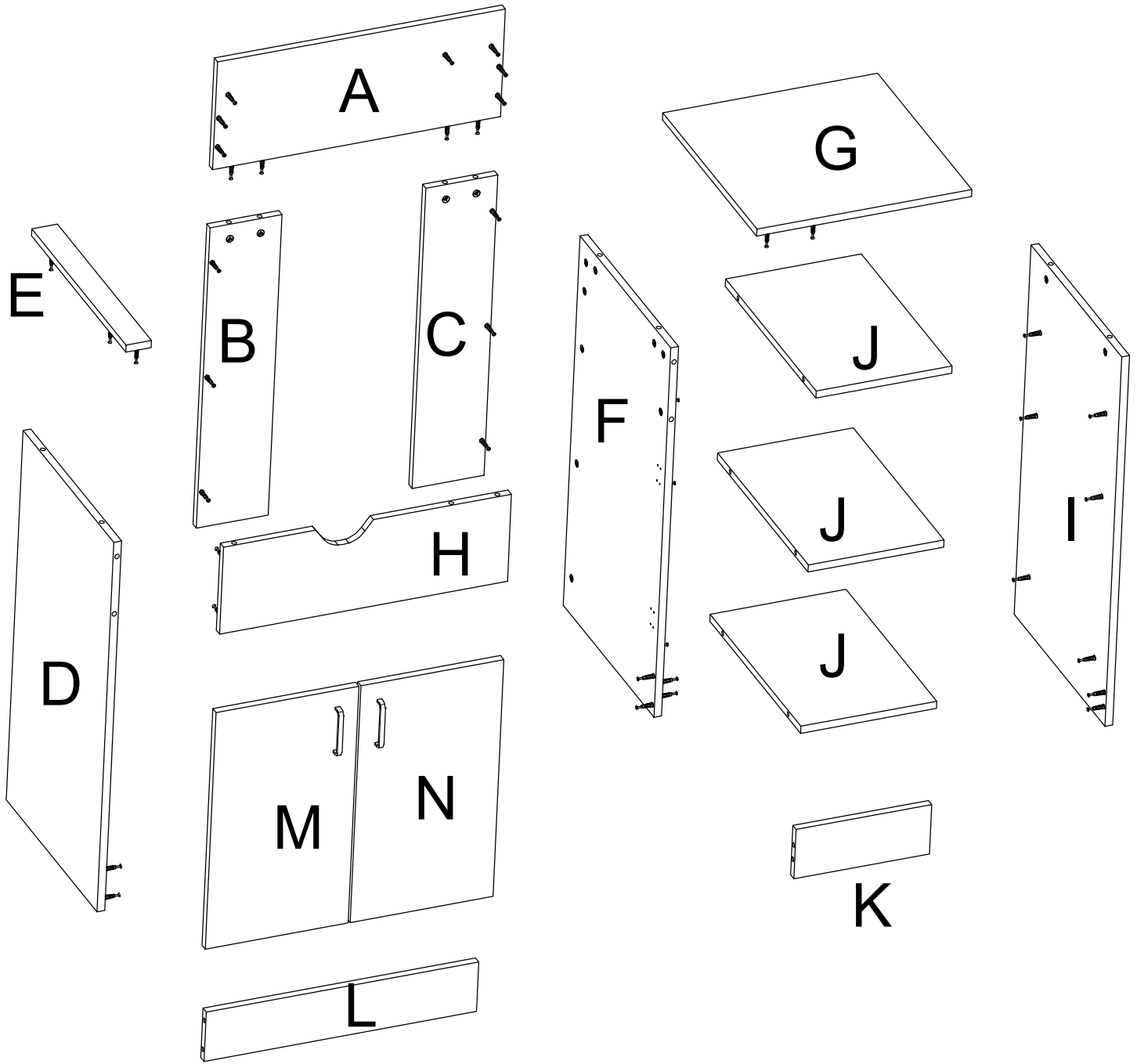
Shampoo cabinet

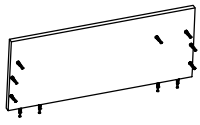
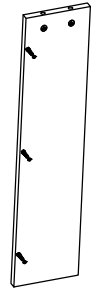
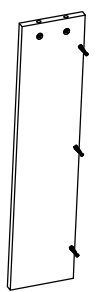
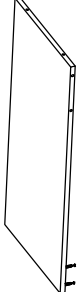
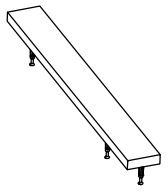
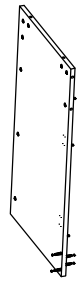
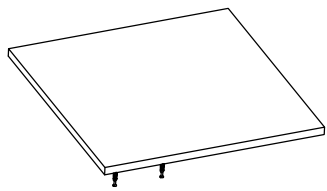
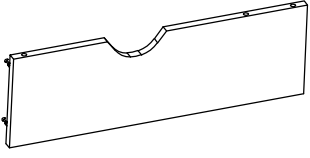
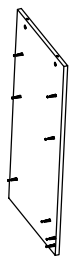
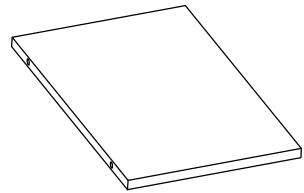
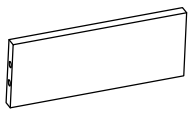
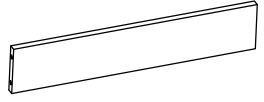
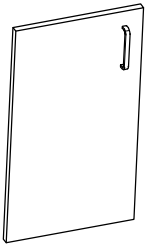
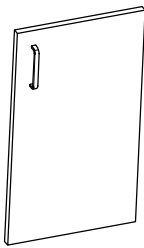
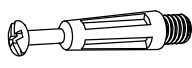




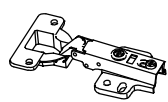

OWNER'S MANUAL

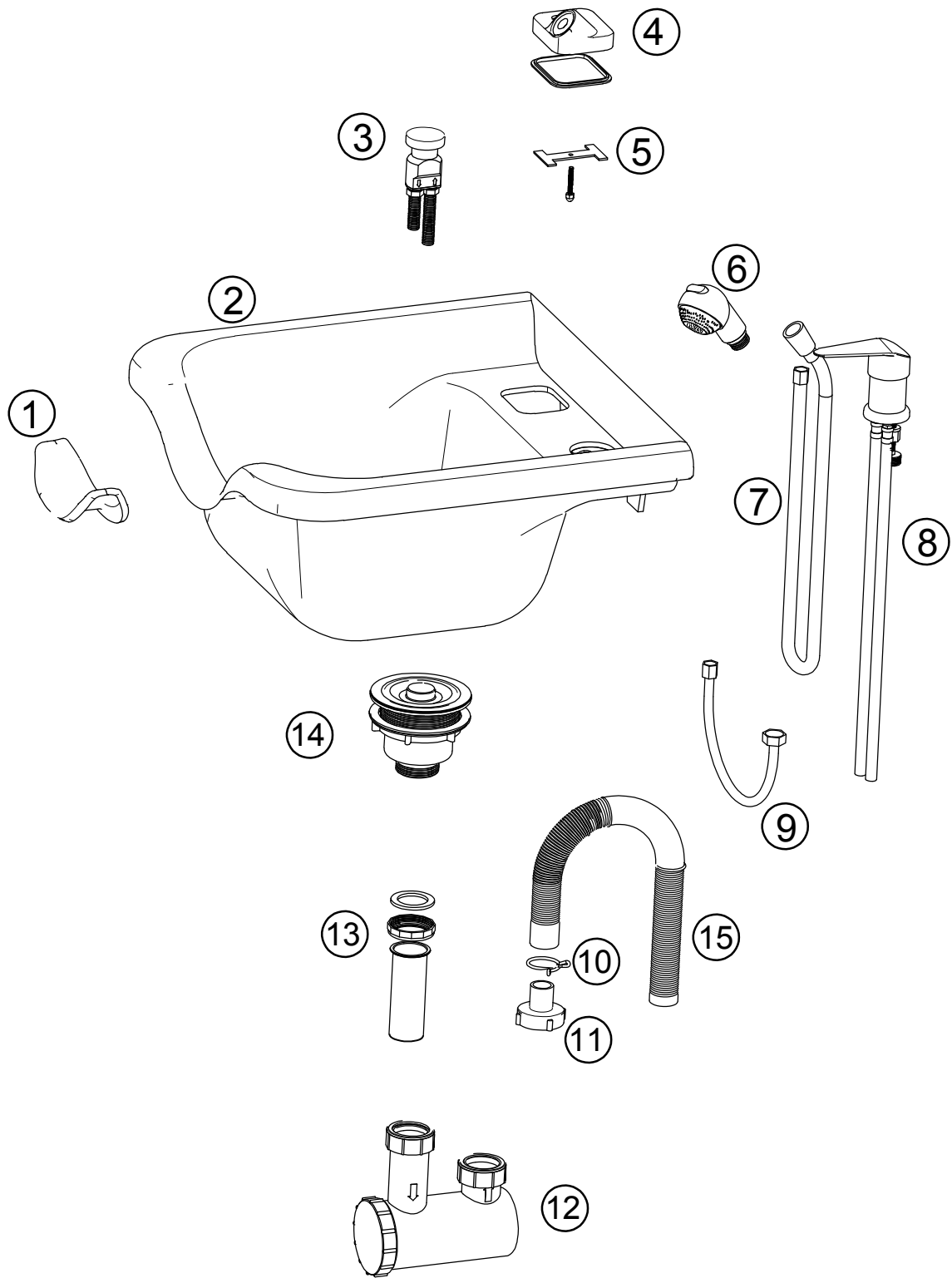


CAUTION! Please read through this manual before assembling installing or using the product to ensure safe and correct use.

PARTS & FEATURES



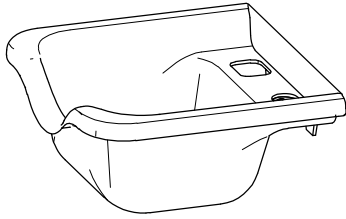
<p>A x1</p>  <p>600x240x16(MM)</p>	<p>B x1</p>  <p>670x150x16(MM)</p>	<p>C x1</p>  <p>670x150x16(MM)</p>	<p>D x1</p>  <p>824x444x16(MM)</p>
<p>E x1</p>  <p>461x53x16(MM)</p>	<p>F x1</p>  <p>824x444x16(MM)</p>	<p>G x1</p>  <p>461x448x16(MM)</p>	<p>H x1</p>  <p>600x194x16(MM)</p>
<p>H x1</p>  <p>824x444x16(MM)</p>	<p>J x3</p>  <p>444x283x16(MM)</p>	<p>K x1</p>  <p>283x110x16(MM)</p>	<p>L x1</p>  <p>568x110x16(MM)</p>
<p>M x1</p>  <p>528x298x16(MM)</p>	<p>N x1</p>  <p>528x298x16(MM)</p>		
<p>a</p>  <p>a*50</p>	<p>b</p>  <p>b*50</p>	<p>c</p>  <p>φ4x16</p> <p>c*24</p>	<p>d</p>  <p>d*2</p>
<p>e</p>  <p>M4x20</p> <p>e*4</p>	<p>f</p>  <p>f*4</p>	<p>g</p>  <p>g*1</p>	



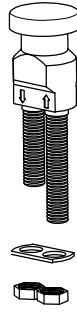
1



2



3



4



5



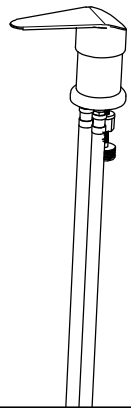
6



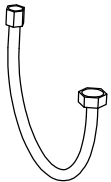
7



8



9



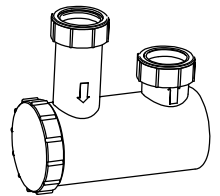
10



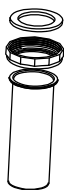
11



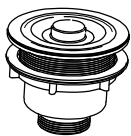
12



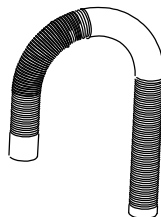
13



14

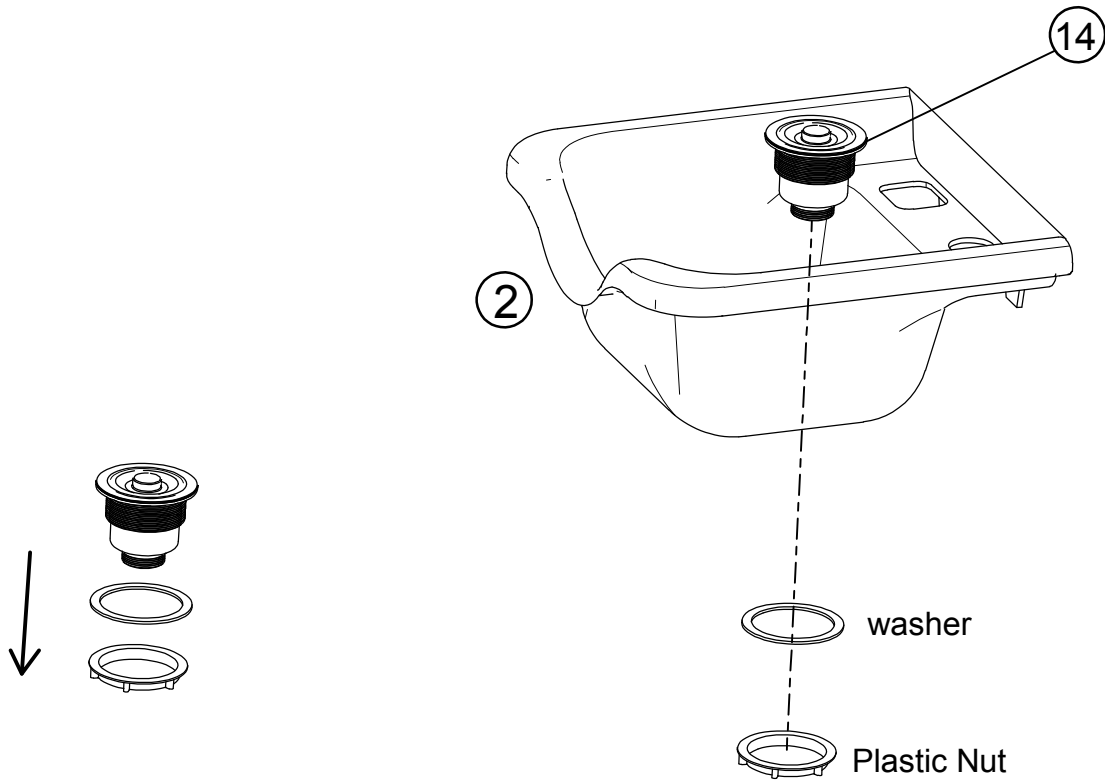


15



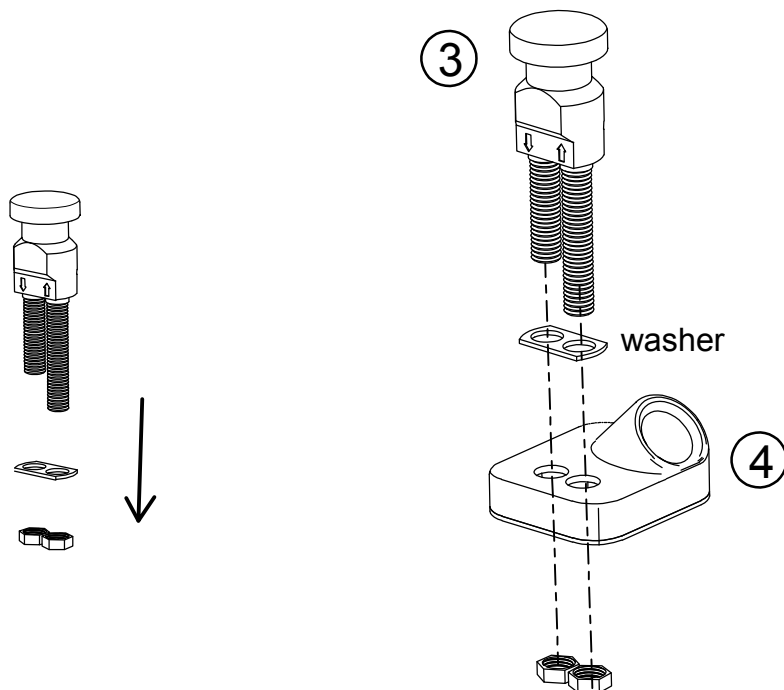
1: Funnel installation

First, remove the gasket and plastic nuts and install the funnel



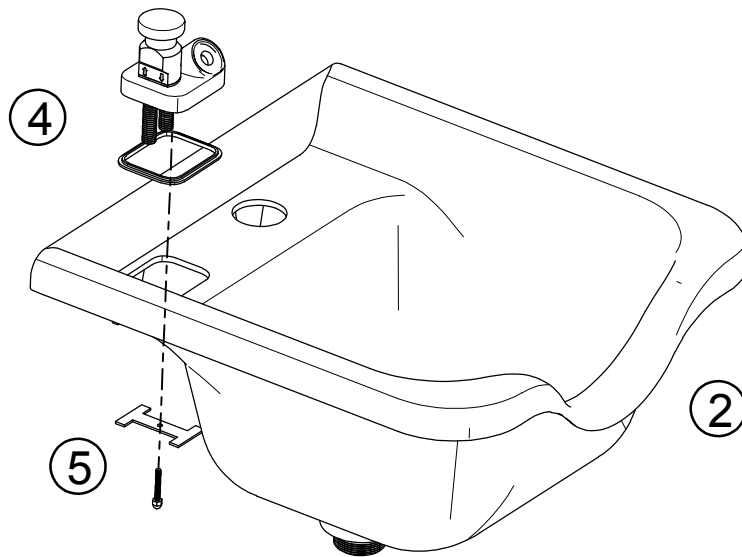
2: Install the Isolator to the Isolator base

Please follow up the diagram beside



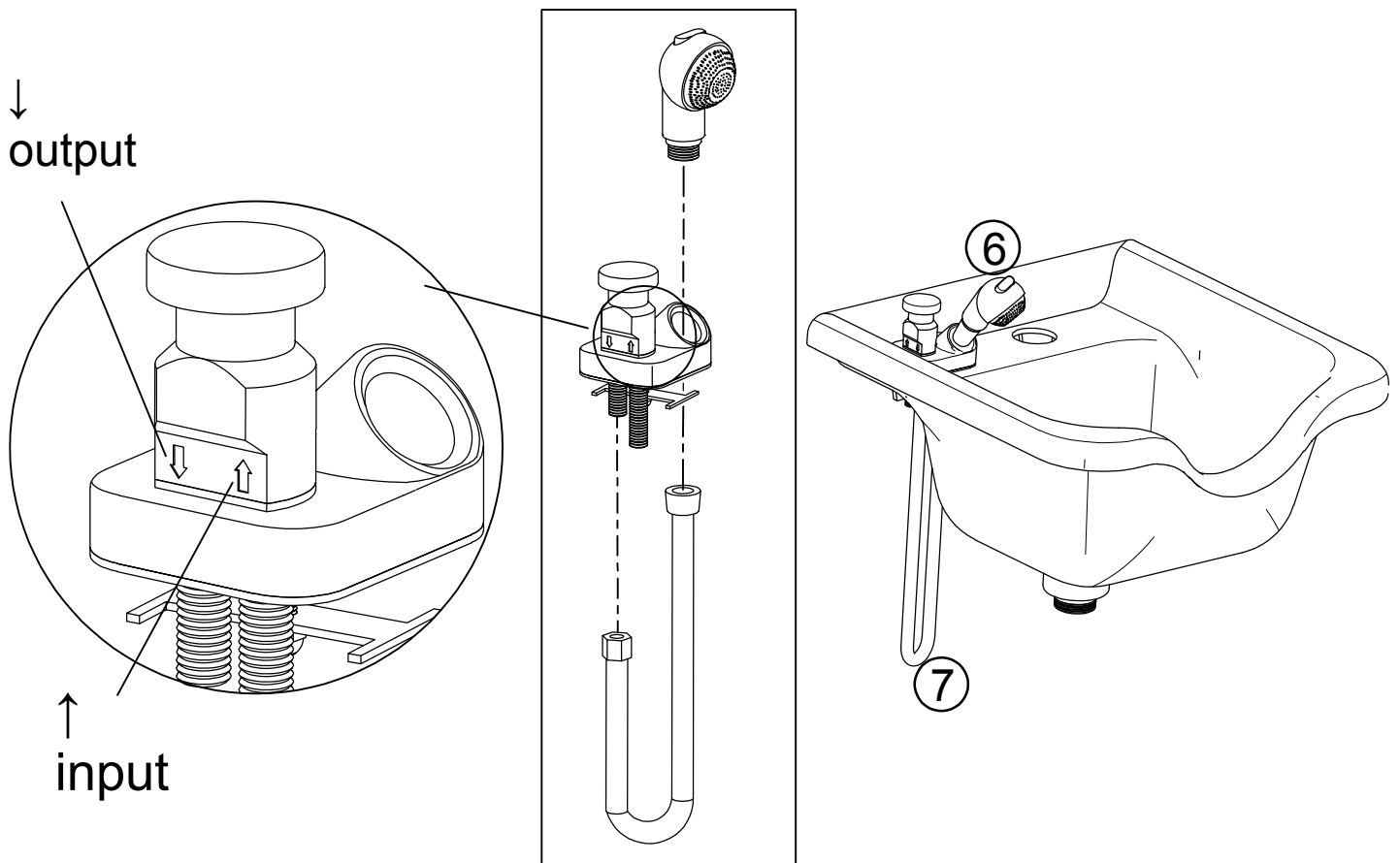
3: Install the isolator base to the base

Install the isolator base to the basin with the larger plastic washer, fixing washer and locking screw.



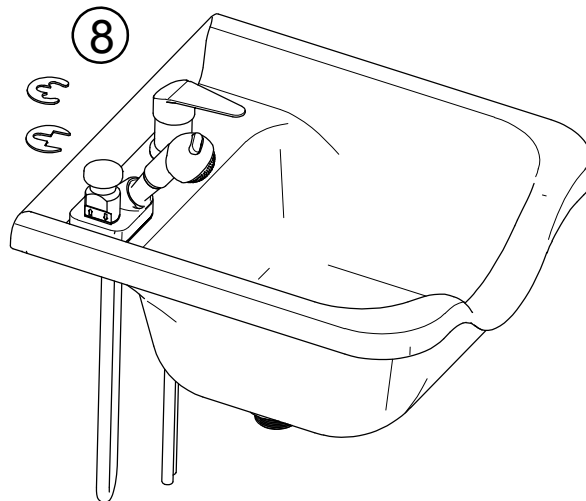
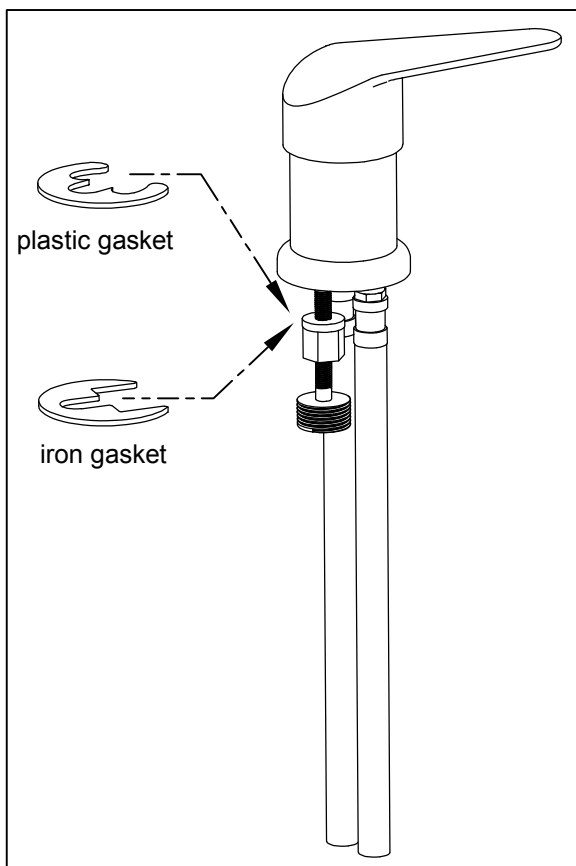
4: Install the sprinkler pipe to the isolator base

Please follow up the diagram beside



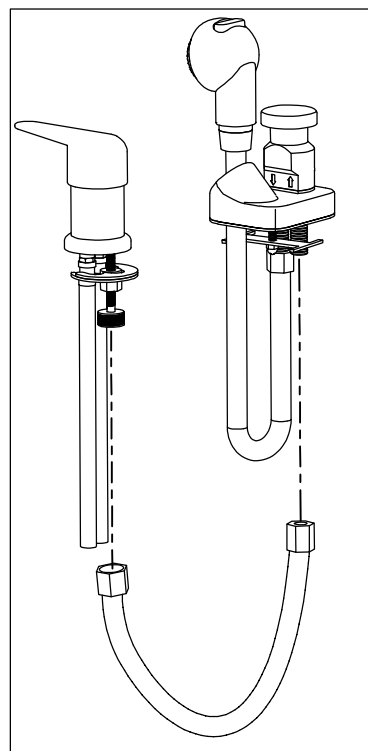
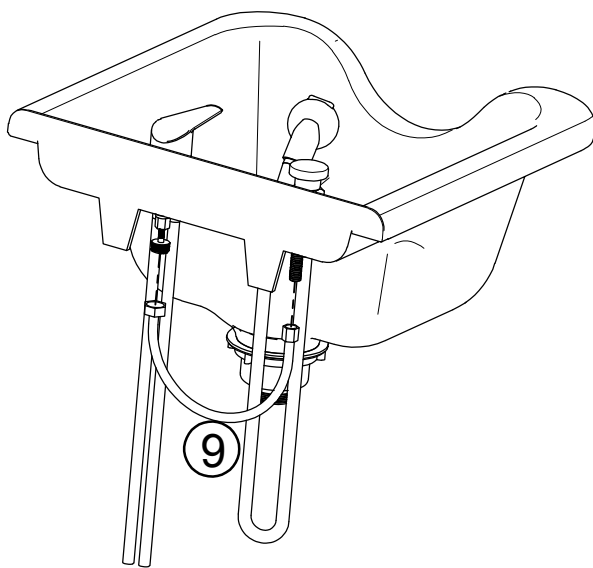
5: Install the Faucet to the basin

First, remove the gasket and plastic nuts and install the funnel



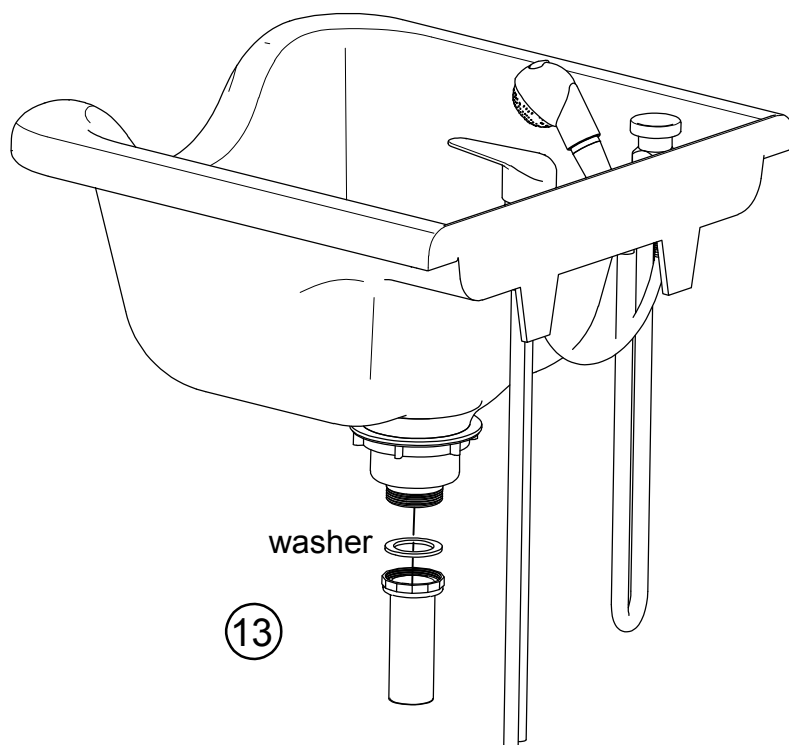
6: Install the Faucet pipe to the basin

Connect the faucet and isolator with the faucet pipe .



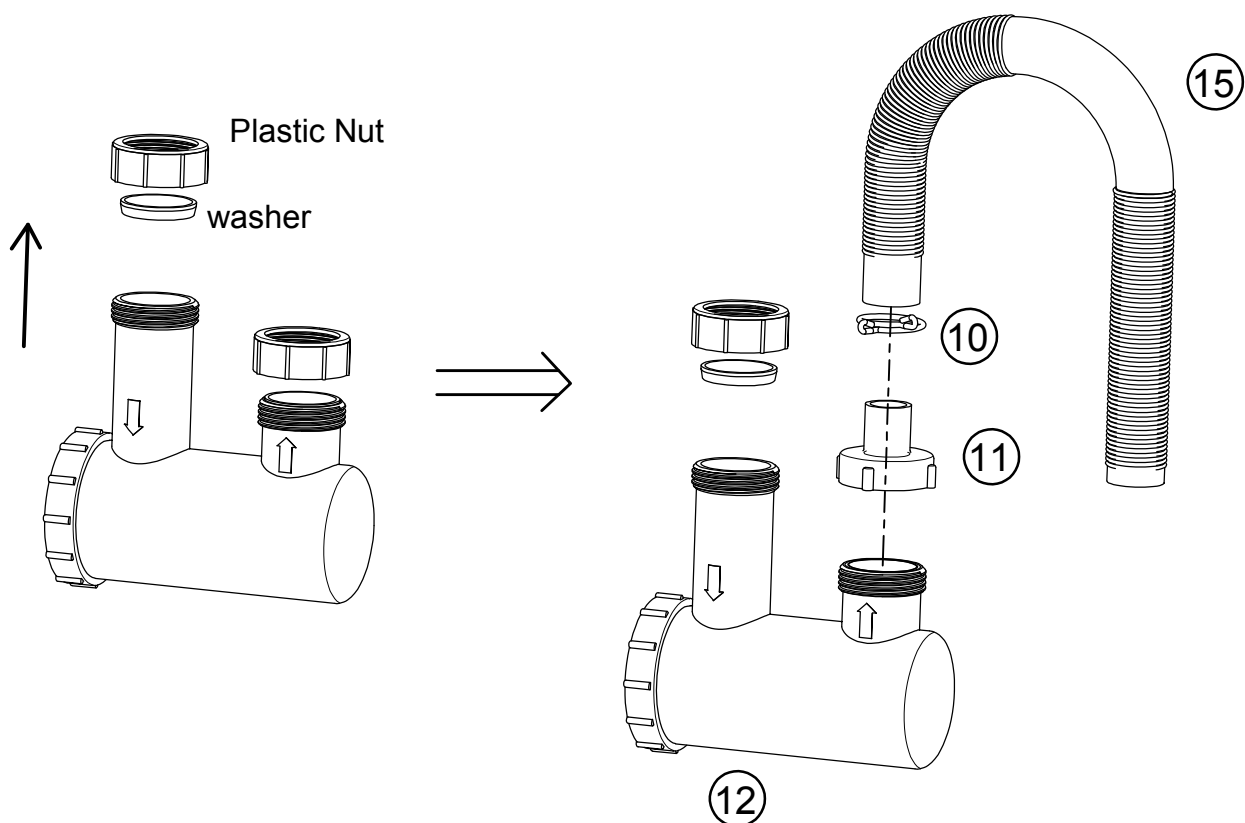
7: Install metal pipes

Please follow up the diagram beside



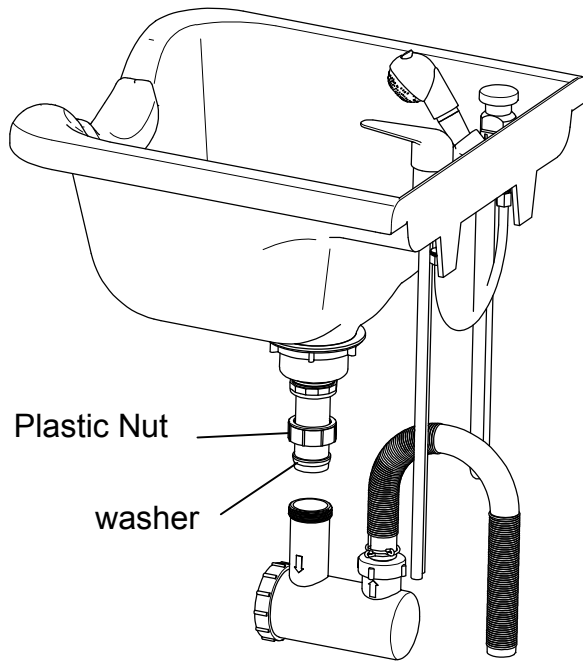
8: Install sewage pipes

Please follow up the diagram beside

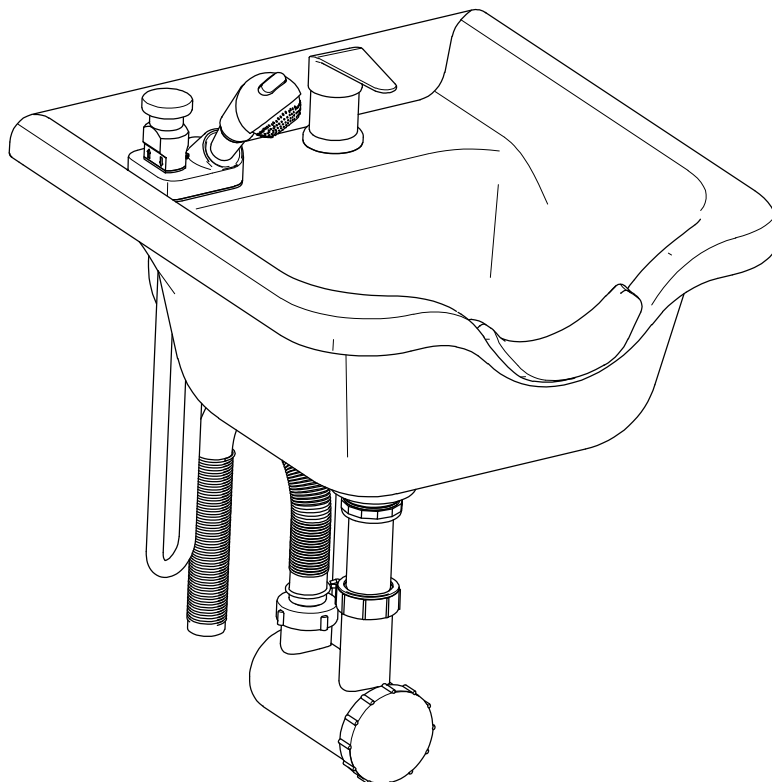


9:Hair divider installation

Install the isolator base to the basin with the larger plastic washer, fixing washer and locking screw.

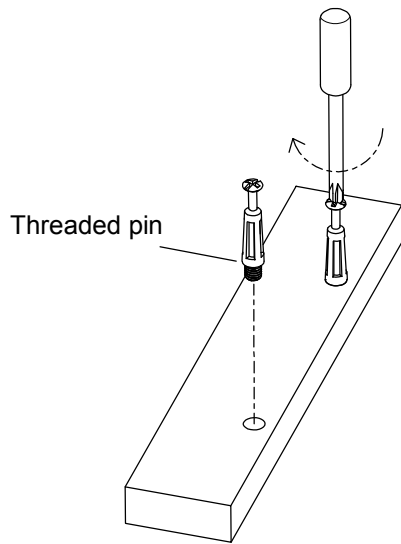


Basin installation completed

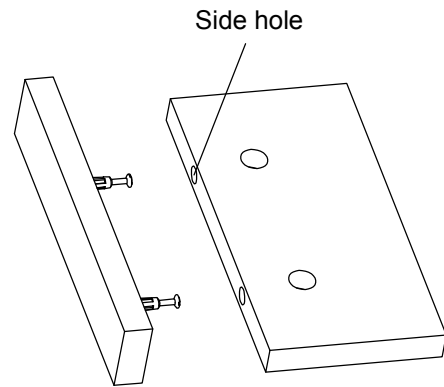


Installation Method for Connecting boards

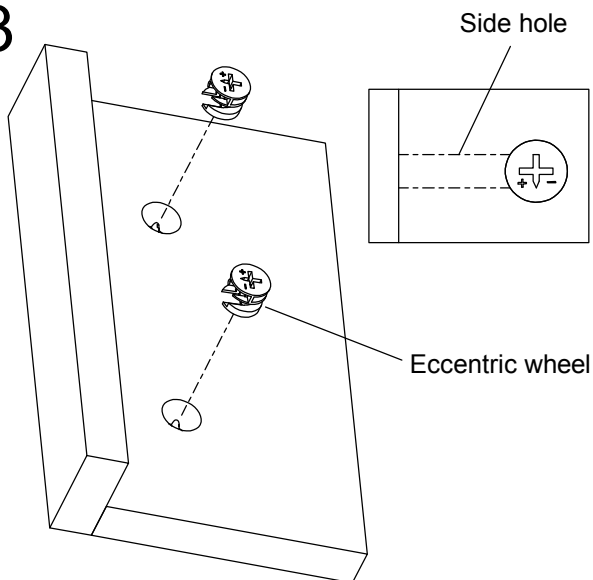
1



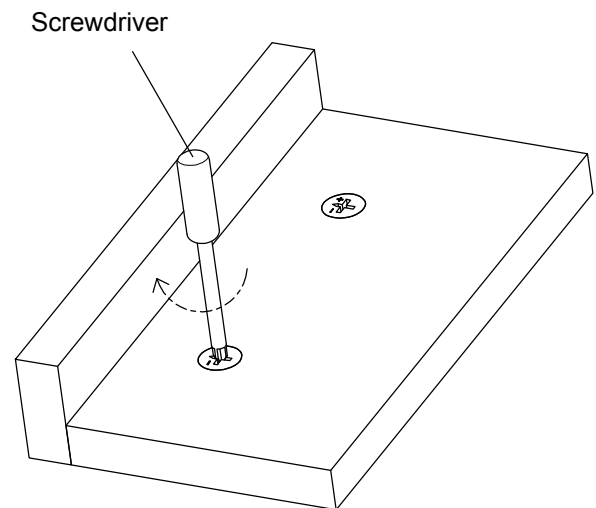
2



3

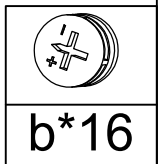
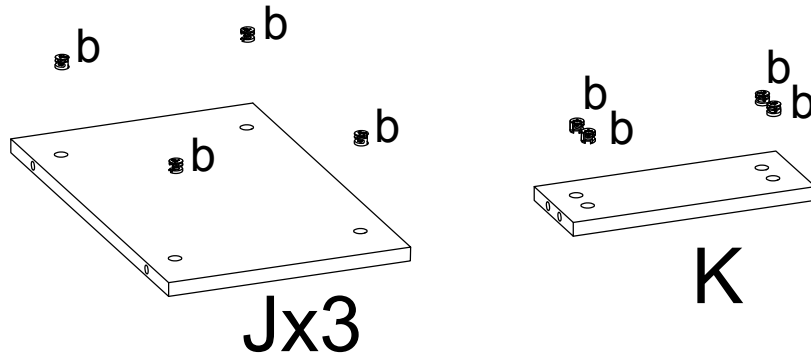


4



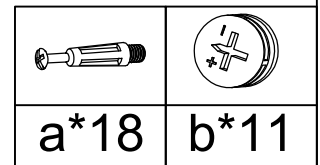
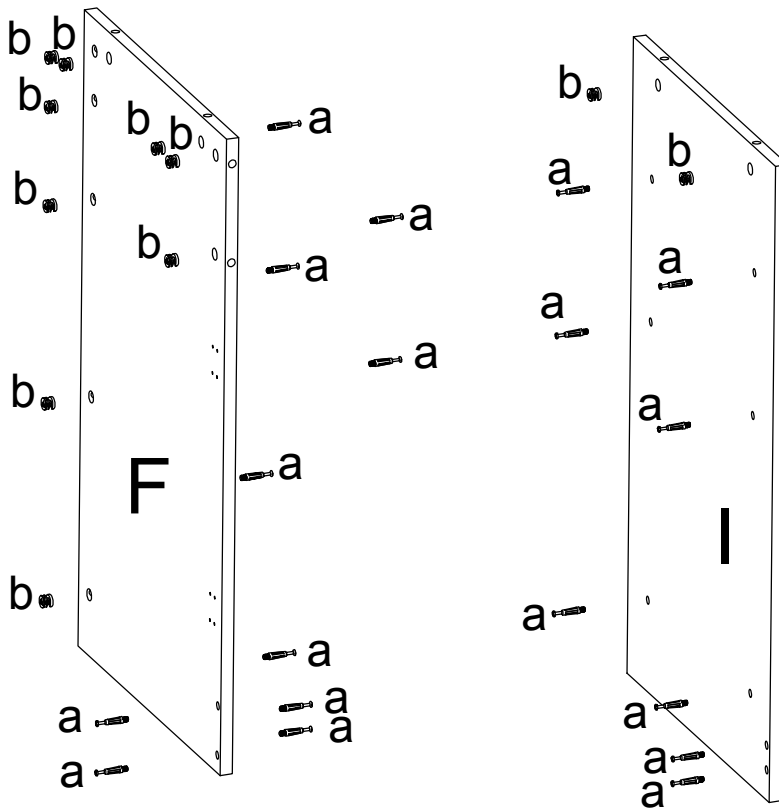
1:J, K Install b

Please follow up the diagram beside



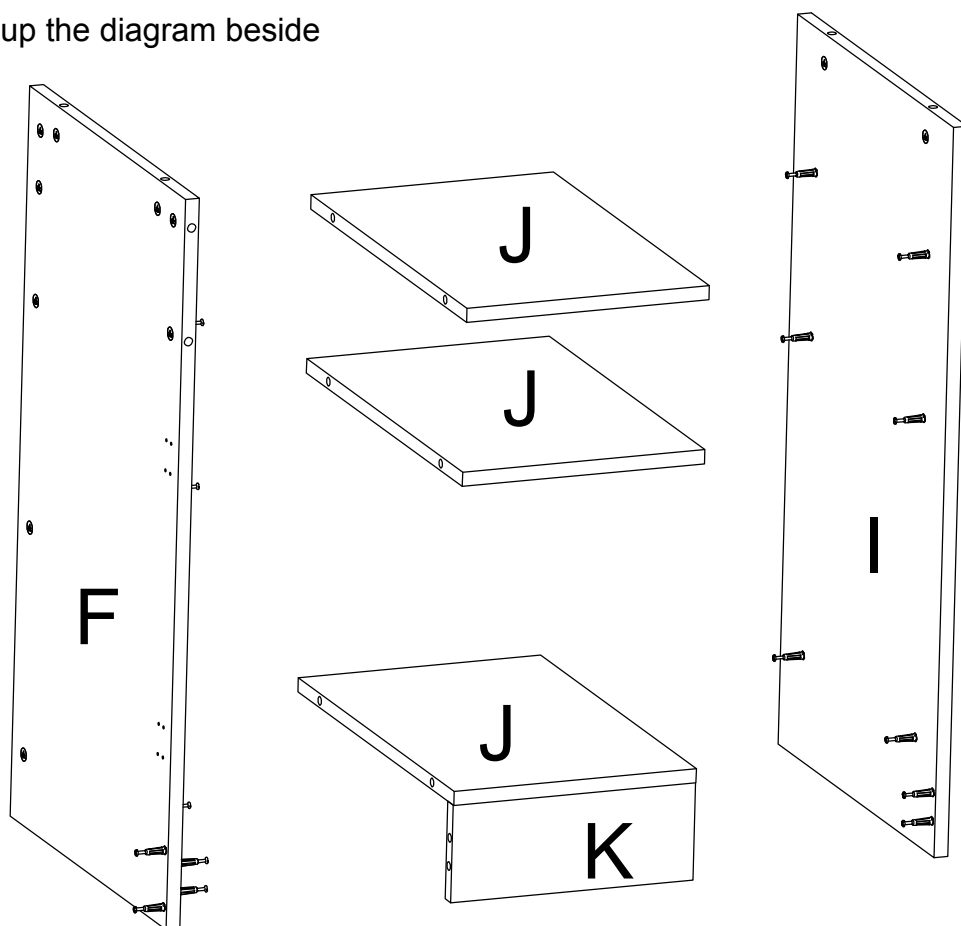
2:F, I Mounting bolts

Please follow up the diagram beside



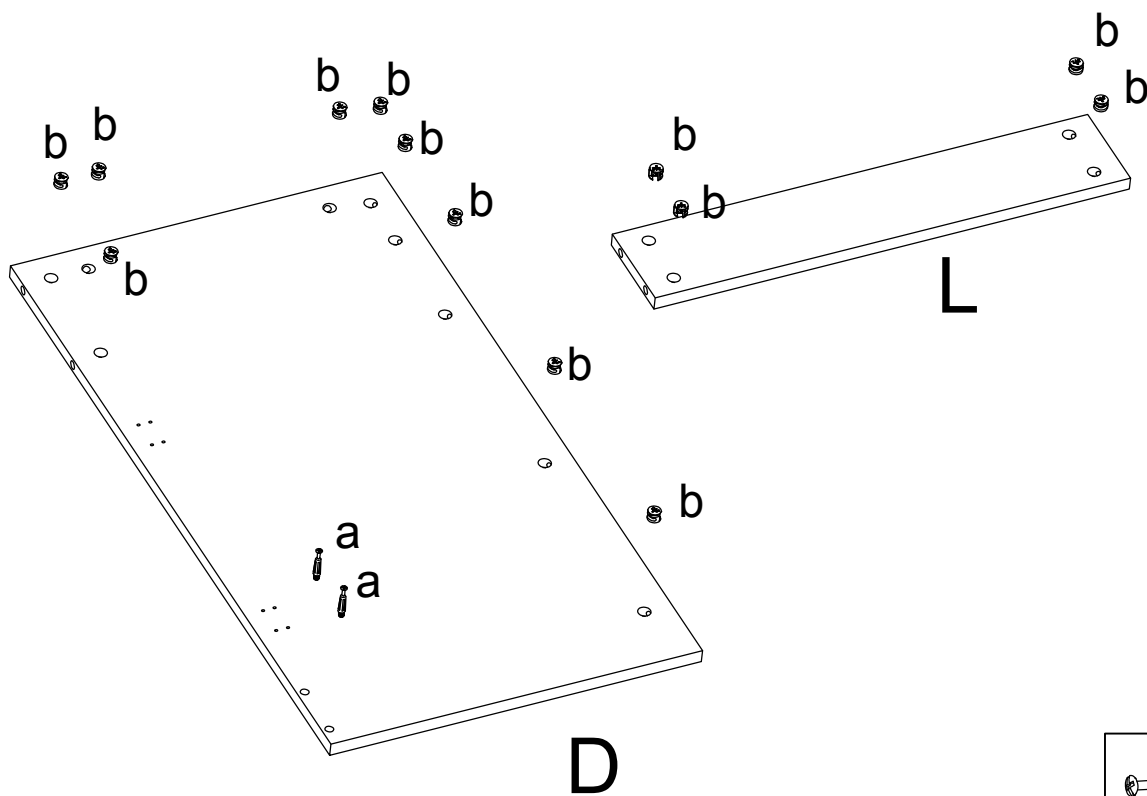
3: Assemble F, I, J, K

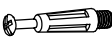

Please follow up the diagram beside



4:D, L Mounting bolts

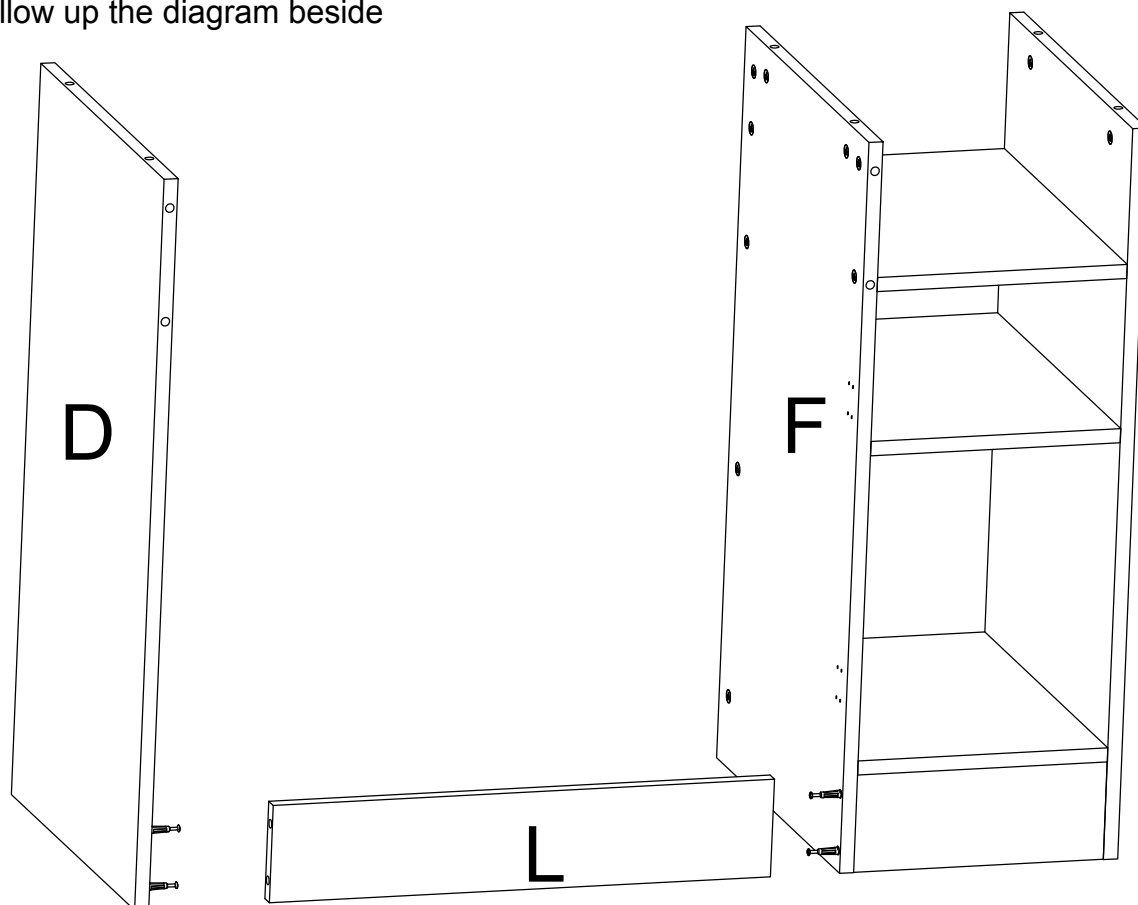
Please follow up the diagram beside



	
a*2	b*13

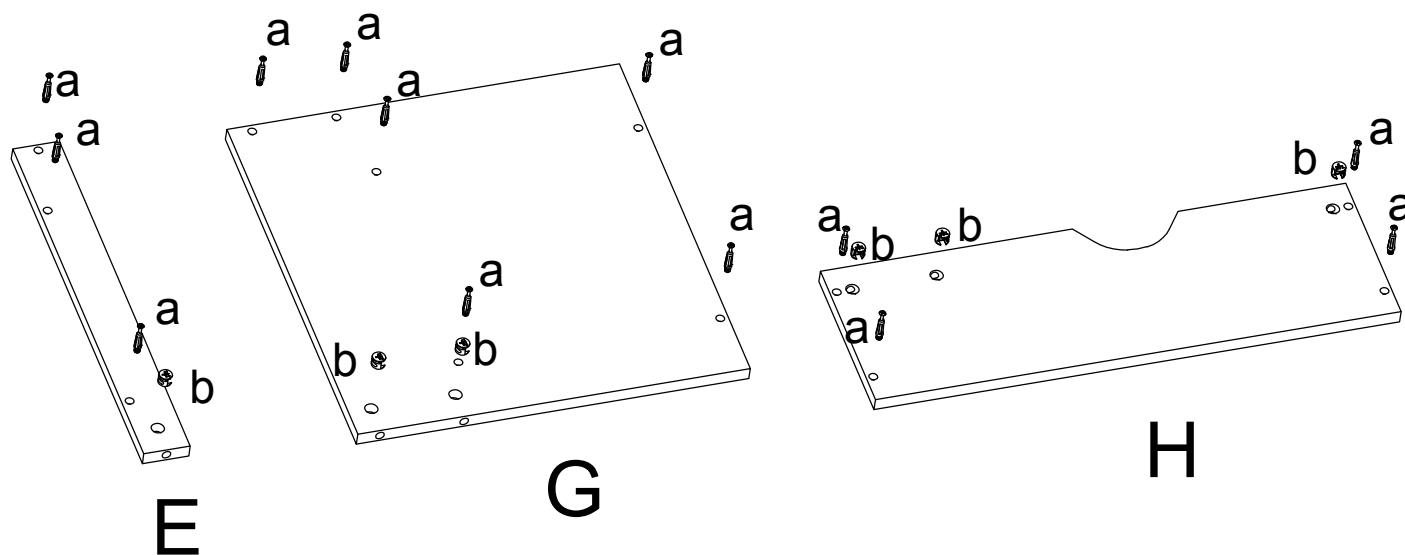
5: Install D, L

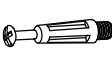

Please follow up the diagram beside



6: E, G, H Mounting bolts

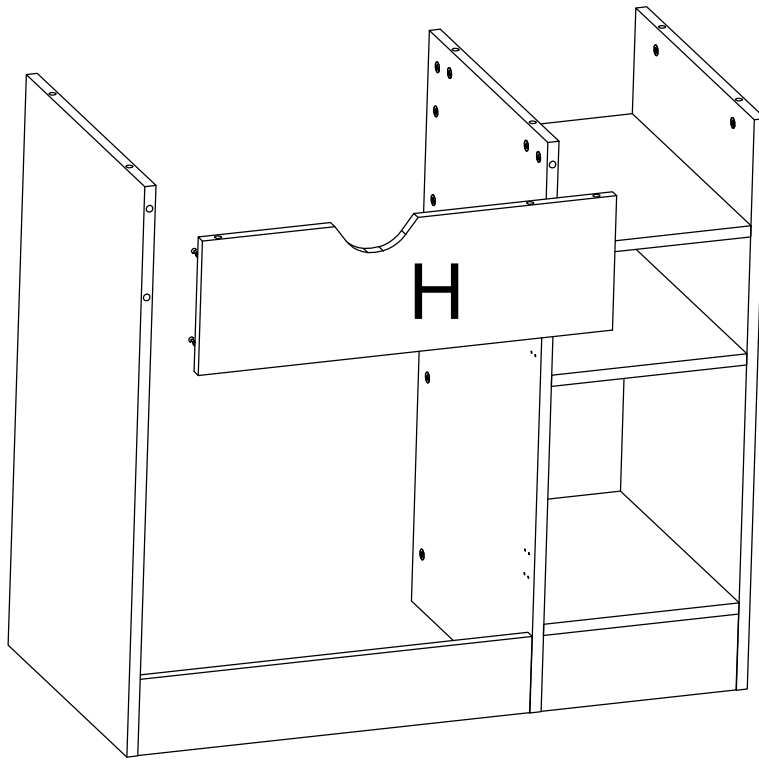
Please follow up the diagram beside



	
a*13	b*6

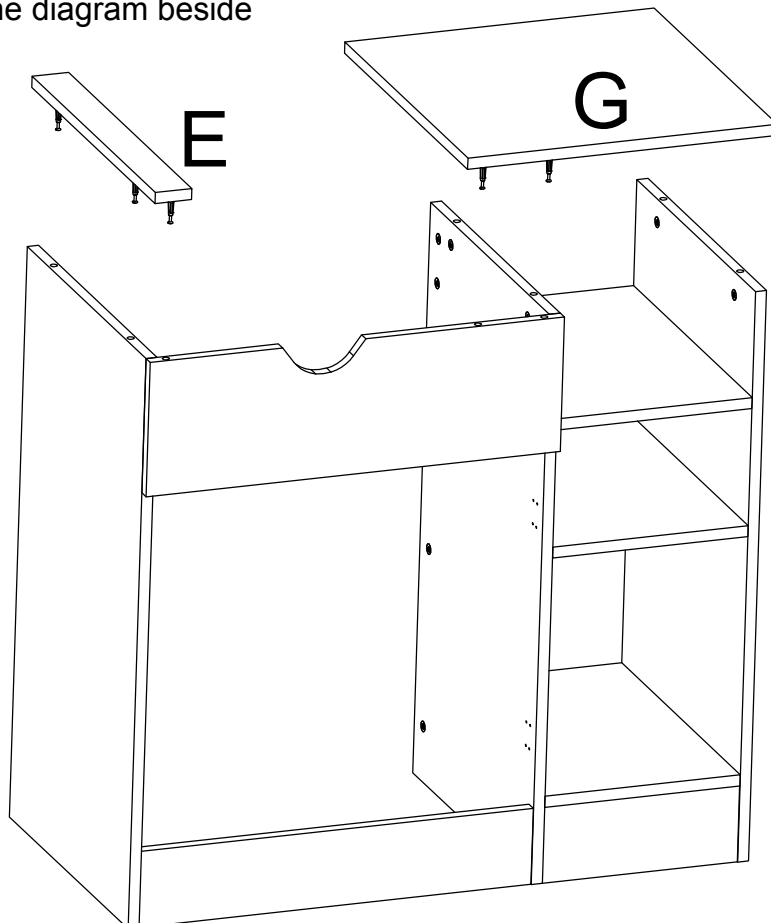
7:Assembly H

Please follow up the diagram beside



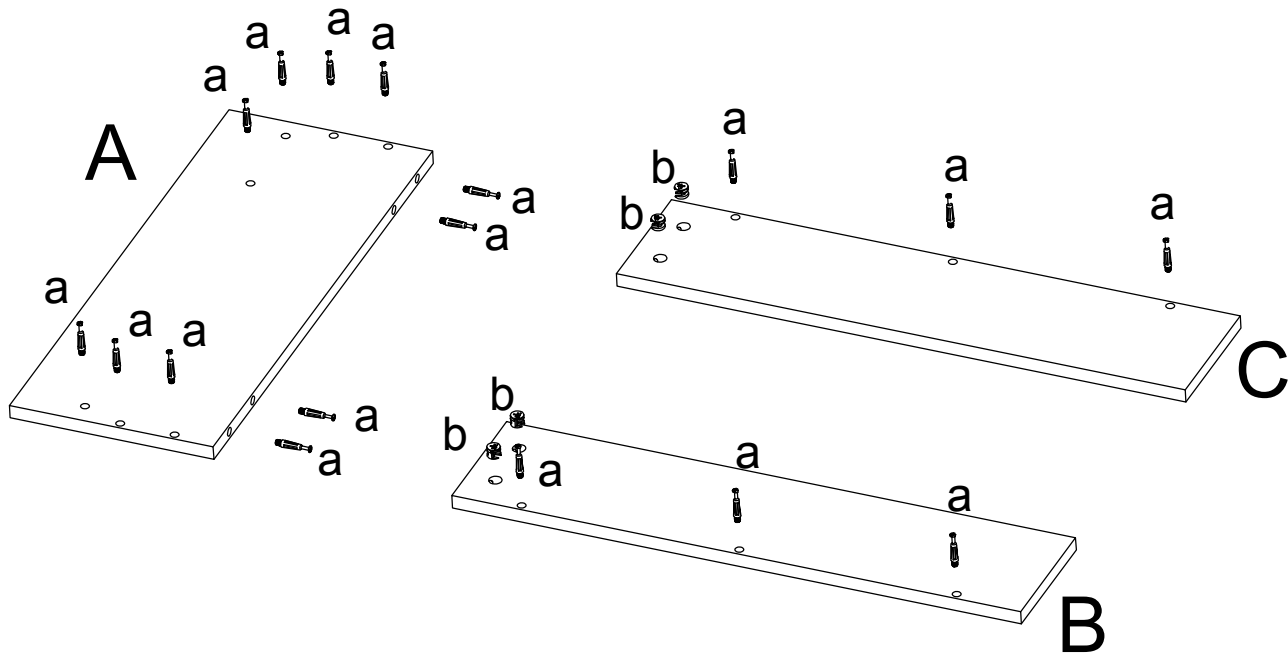
8:Assembly E,G

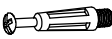

Please follow up the diagram beside



9:A,B,C Mounting bolts

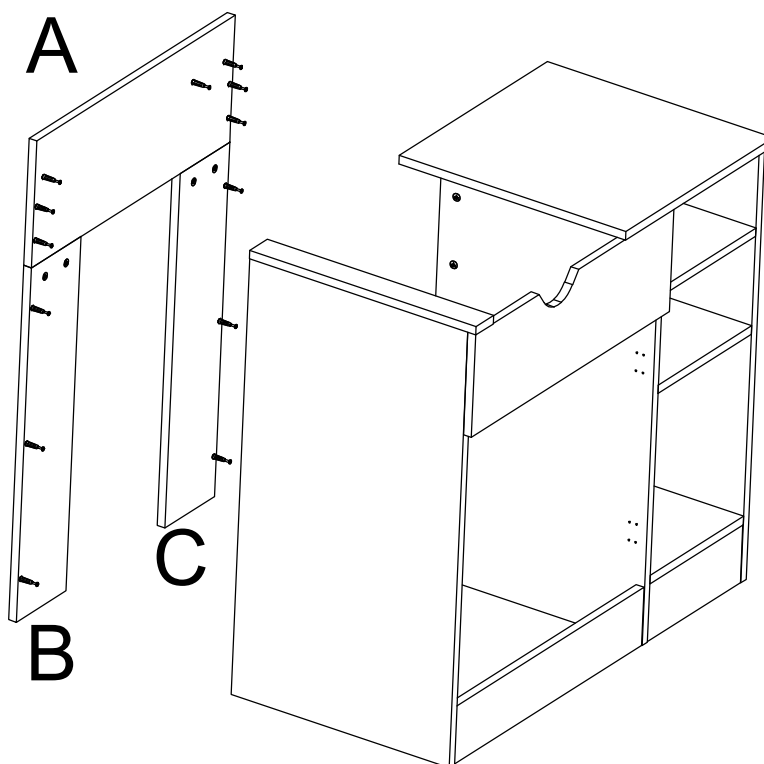
Please follow up the diagram beside



	
a*17	b*4

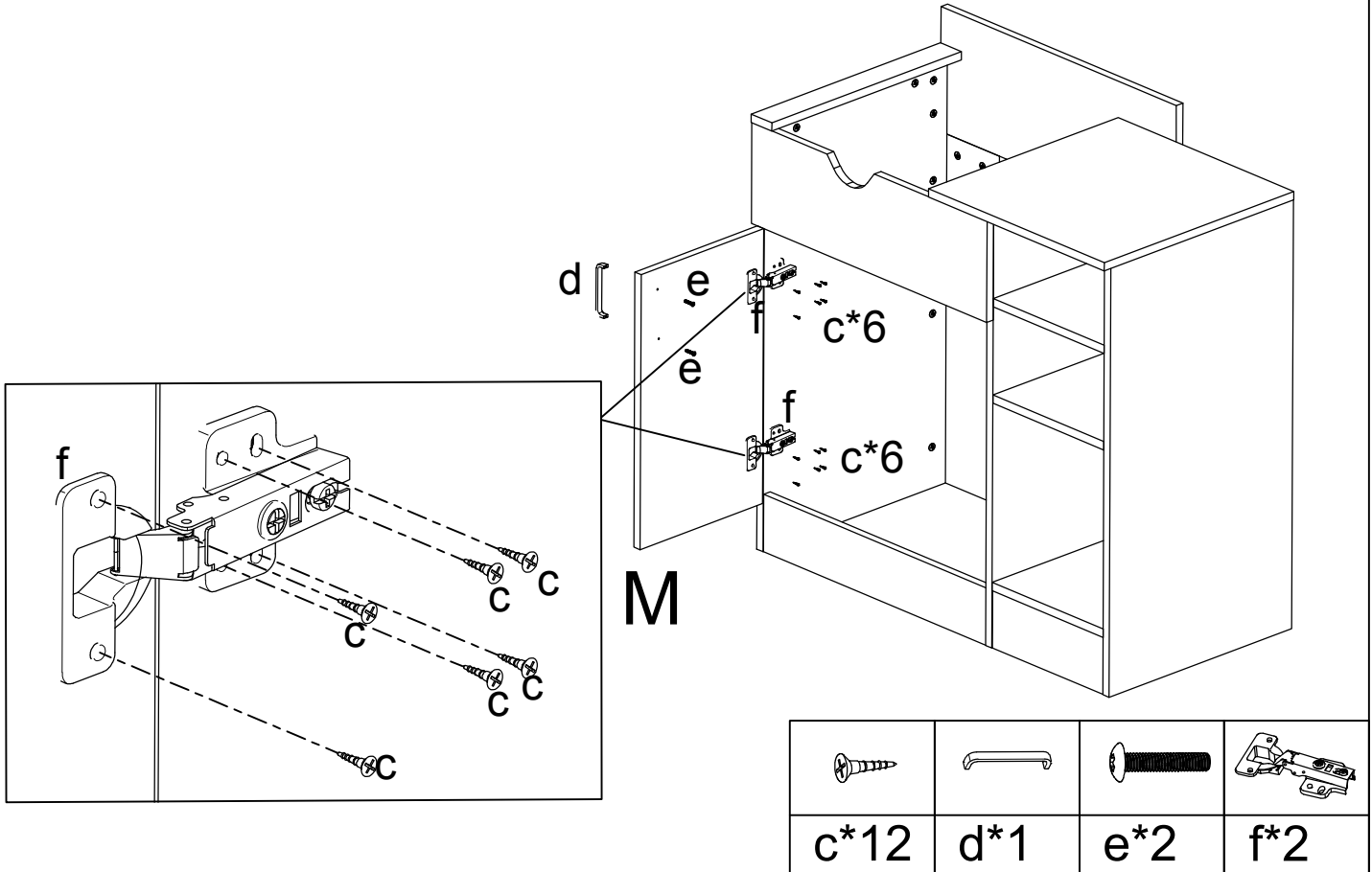
10:Assembly A,B,C

Please follow up the diagram beside



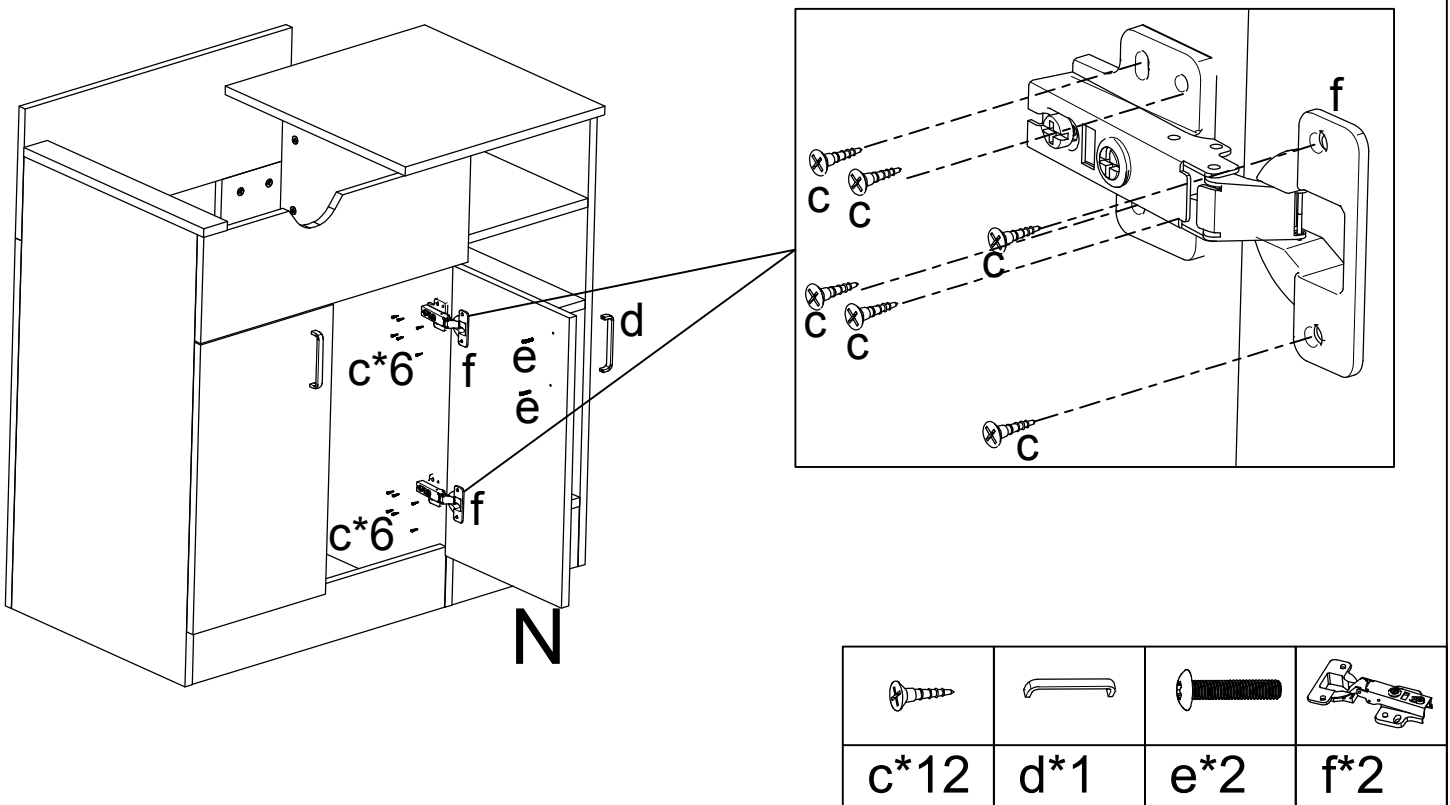
11:Install M

Please follow up the diagram beside



12:Install N

Please follow up the diagram beside



Installation complete

