

Barber Chair

OWNER'S MANUAL



CAUTION! Please read through this manual before assembling, installing or using the product to ensure safe and correct use.

PLEASE DO NOT RETURN TO STORE



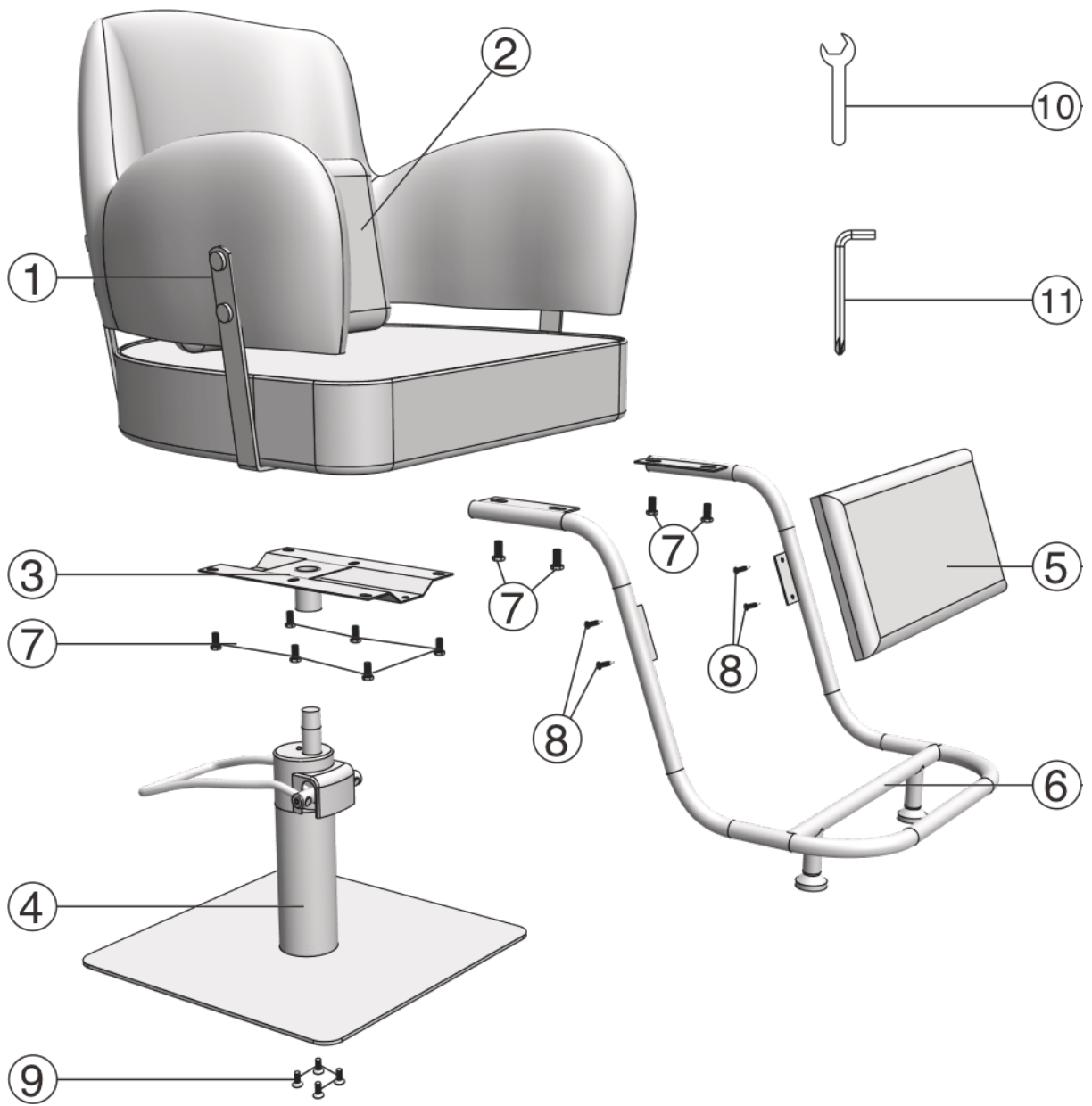
Please do not return this product to the retailer!!

We are able to assist you in ANY way

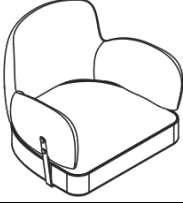
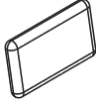

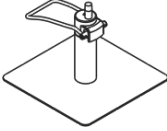
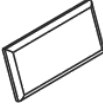

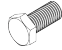


If you find that you have any trouble with assembly or missing or damaged parts please contact the seller.

Table of Contents



Parts -----	03
Tools -----	03
Installation Diagram -----	04
Instructions for Use -----	06



Parts

Parts Code	Image	Parts Name	Qty(Pcs)
1		Seat	1
2		Cushion	1
3		Tray	1
4		Base	1
5		Leg Rest	1
6		Foot Bracket	1
7		Hex Screw M8*20	10
8		Self-tapping Screw	4
9		Allen Socket Screw M8*15	4

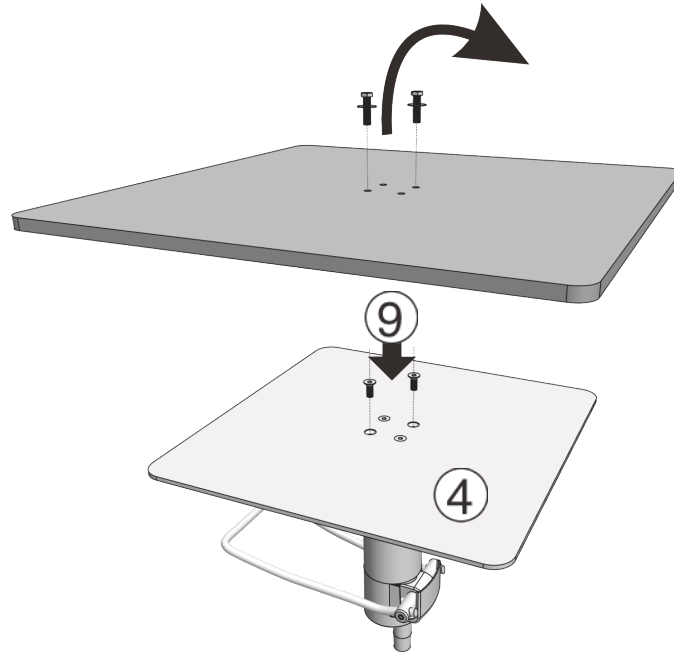
Tools

Parts Code	Image	Parts Name	Qty(Pcs)
10		Wrench 14mm	1
11		Allen Key 5mm with Phillips-head Screwdriver	1

Installation Diagram

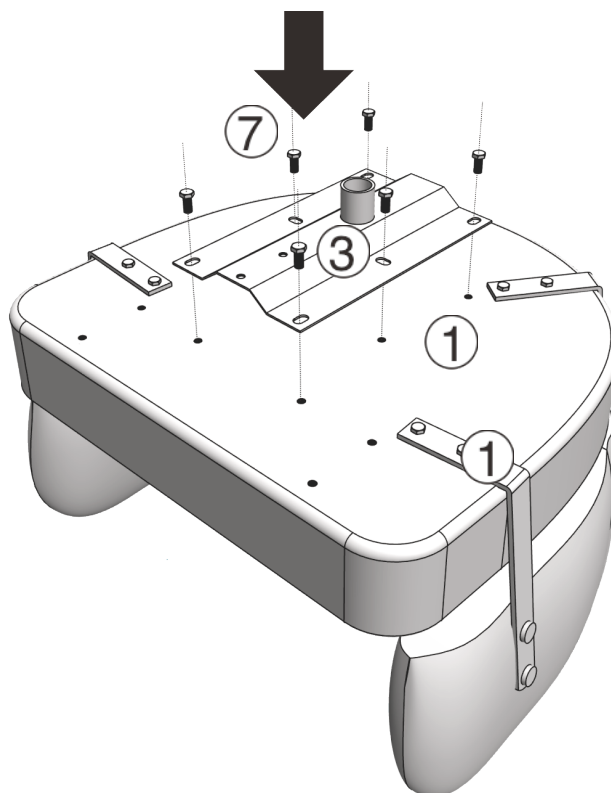
Step One:

Unscrew the 2 hex screws M8*35 and 2 washers M8 to remove the wooden board. Fix 2 Allen Socket Screws M8*15 (9) to the bottom of the Base (4) for later use



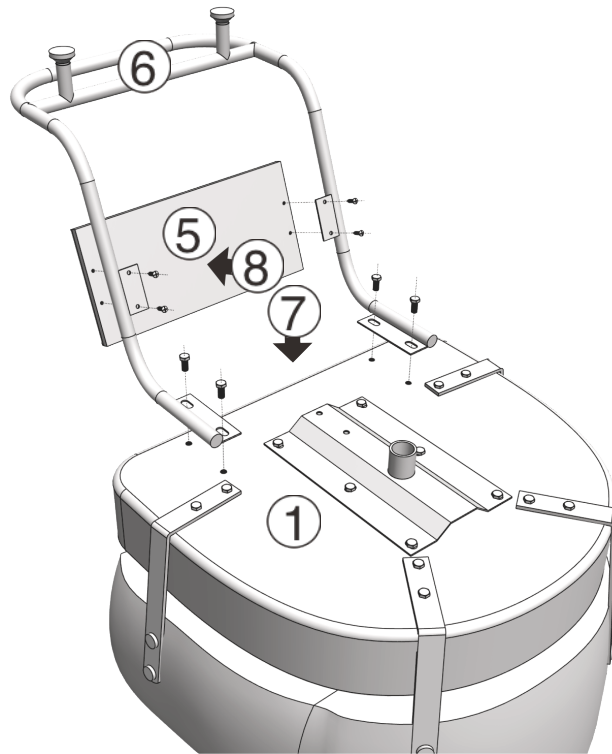
Step Two:

Install the Tray (3) to the bottom of the Seat (1) with 6 Hex Screws M8*20 9



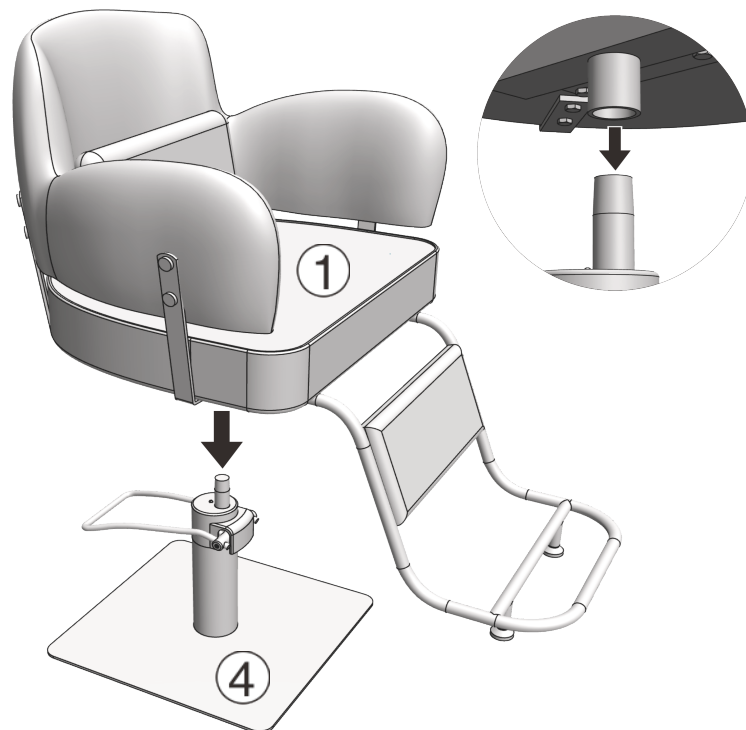
Step Three:

Install the Foot Bracket (6) to the bottom of the Seat (1) with 4 Hex Screws M8*20 (7) and the Leg Rest (5) to the Foot Bracket (6) with 4 Self-tapping Screws (8)



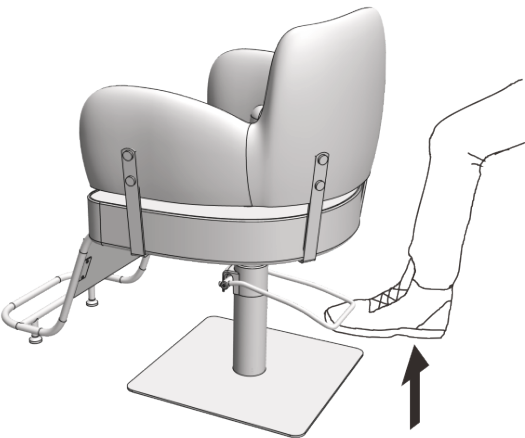
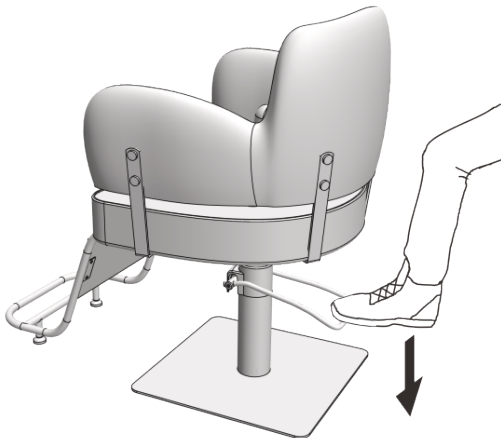
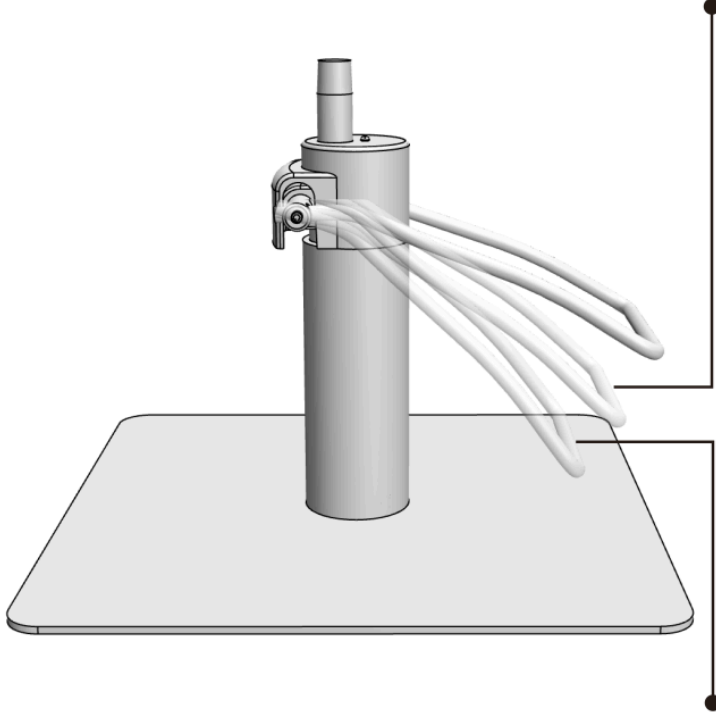
Step Four:

Combine the Seat: Attach the assembled seat to the Base (4), sit on it, and there you go.



Note: No screws are needed to connect the seat and the base. The longer you seat, the tighter it gets.

Instruction for use

 <p>Lock: Lift the foot pump rod upward, and the rotation and lifting functions are locked.</p>	 <p>Unlock: Press the foot pump rod down, and the rotation and lift functions resume.</p>
<p>Seat up: Foot down on the foot pump rod 5-10 cm, and repeat. Don't step too deep!</p>  <p>Seat down: Downhill the foot pump rod and hold still to lower the seat.</p>	