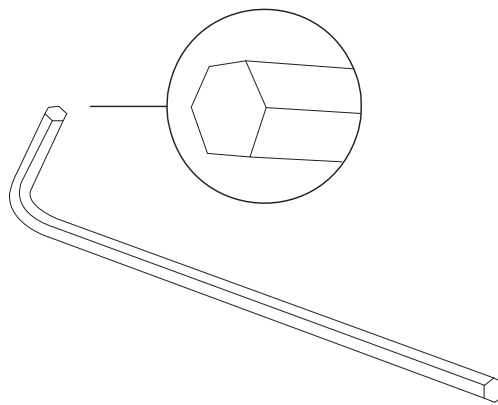


Attention:Don't tighten the screw before all screws are in place

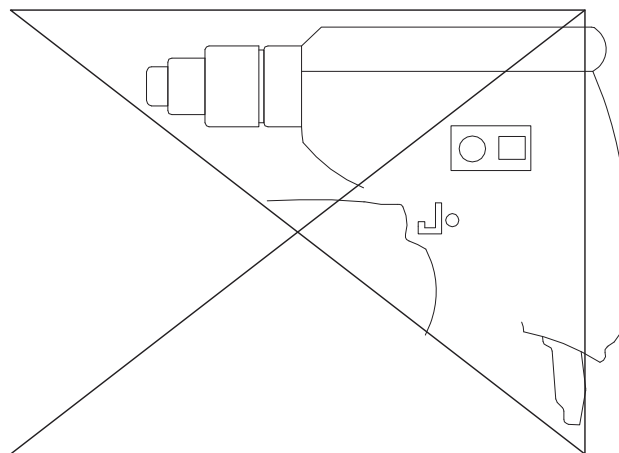
USER'S MANUAL
WF315415

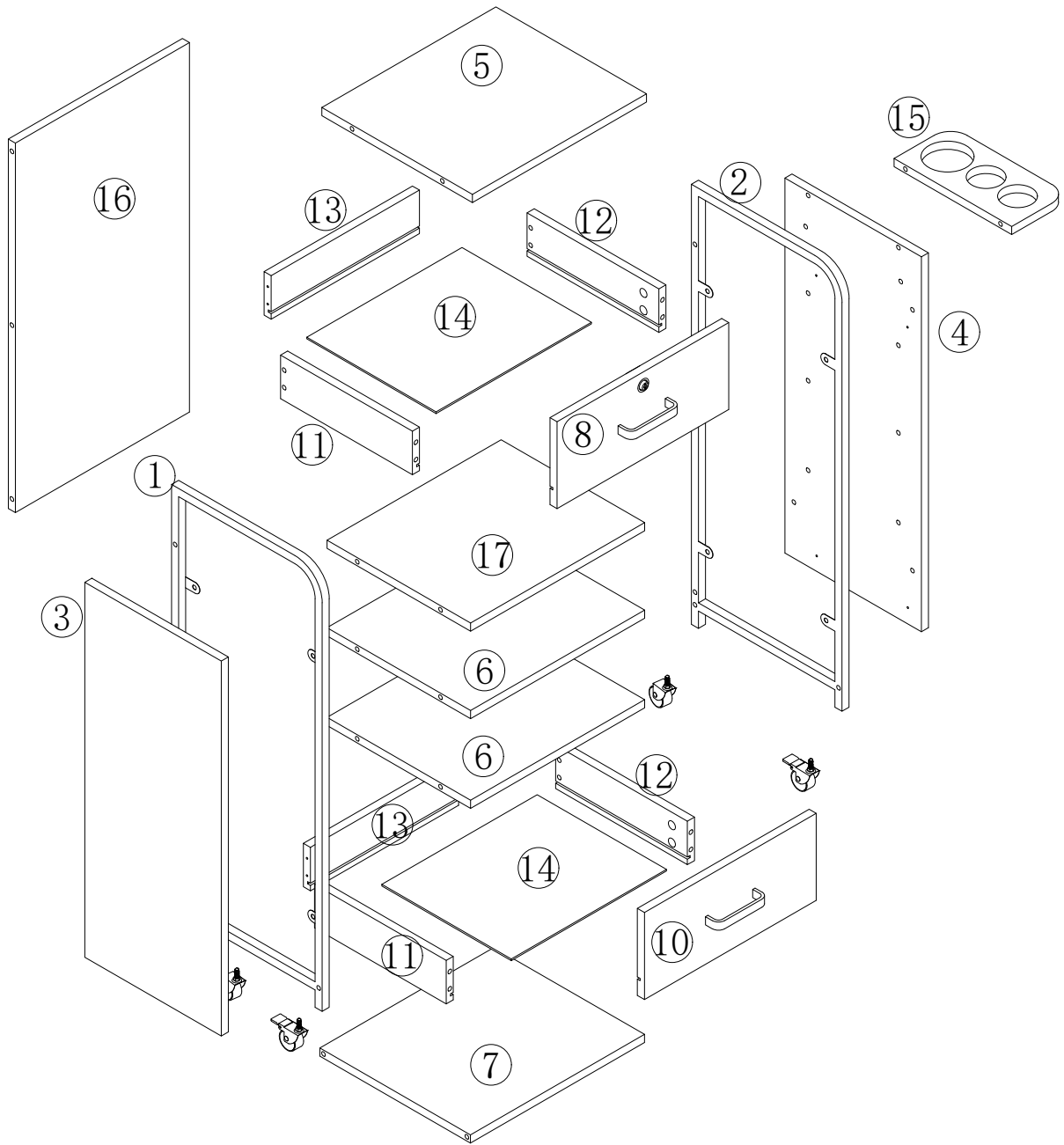
General Assembly Guidelines

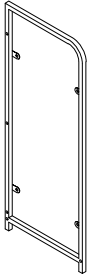
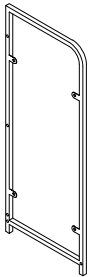
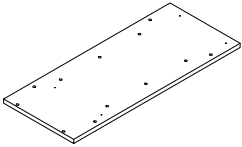
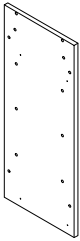
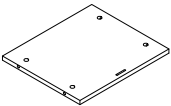
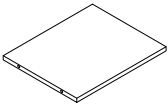
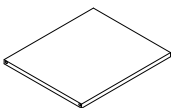
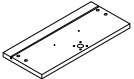
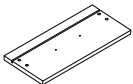
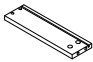
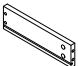
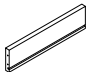
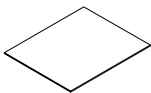
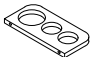
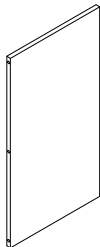
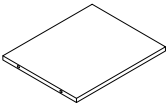
- I. Ensure that all parts and hardware are available before beginning assembly.
- II. Follow each step carefully to ensure the proper assembly of this product.
- III. Two people are recommended for ease in the assembly of this product.
- IV. The three main types of hardware used to assemble this product are : wood dowels , screws and bolts.
- VI. A Phillips head screwdriver is required for the assembly of this product .


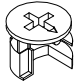

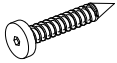
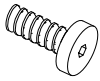
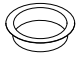


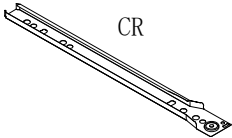
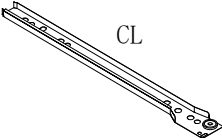
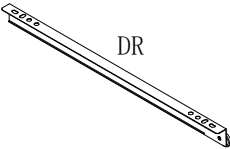
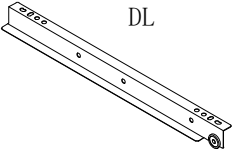
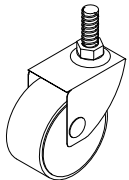
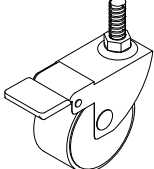
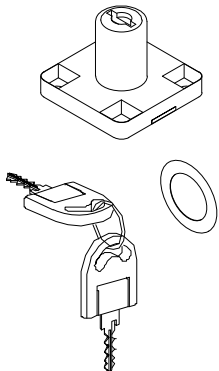
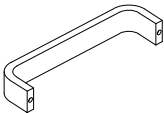


- VII. Power tools should not be used to assemble this product .





<p>① X1</p>  <p>810*320*15 (MM)</p>	<p>② X1</p>  <p>810*320*15 (MM)</p>	<p>③ X1</p>  <p>690*290*12 (MM)</p>	<p>④ X1</p>  <p>690*290*12 (MM)</p>
<p>⑤ X1</p>  <p>370*320*15 (MM)</p>	<p>⑥ X2</p>  <p>370*305*15 (MM)</p>	<p>⑦ X1</p>  <p>370*320*15 (MM)</p>	<p>⑧ X1</p>  <p>365*160*15 (MM)</p>
<p>⑩ X1</p>  <p>365*160*15 (MM)</p>	<p>⑪ X2</p>  <p>280*80*15 (MM)</p>	<p>⑫ X2</p>  <p>280*80*15 (MM)</p>	<p>⑬ X2</p>  <p>315*80*15 (MM)</p>
<p>⑭ X2</p>  <p>325*275*13 (MM)</p>	<p>⑮ X1</p>  <p>250*120*15 (MM)</p>	<p>⑯ X1</p>  <p>675*370*15 (MM)</p>	<p>⑰ X1</p>  <p>370*305*15 (MM)</p>

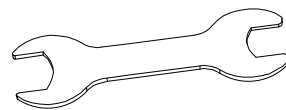
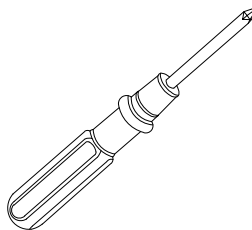
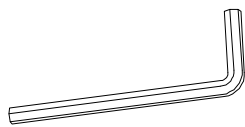
<p>(A)</p>  <p>24</p>	<p>(B)</p>  <p>M15 24PCS</p>	<p>(C)</p>  <p>M3.5*12 16PCS</p>	<p>(D)</p>  <p>M5*30 20PCS</p>
<p>(E)</p>  <p>M6*10 8PCS</p>	<p>(F)</p>  <p>1PCS</p>	<p>(G)</p>  <p>2PCS</p>	<p>(H)</p>  <p>M4*18 4PCS</p>
<p>(CR)</p>  <p>M4 2PCS</p>	<p>(CL)</p>  <p>2PCS</p>	<p>(DR)</p>  <p>2PCS</p>	<p>(DL)</p>  <p>2PCS</p>
<p>(I)</p>  <p>2PCS</p>	<p>(J)</p>  <p>2PCS</p>	<p>(K)</p>  <p>1PCS</p>	<p>(L)</p>  <p>2PCS</p>

M

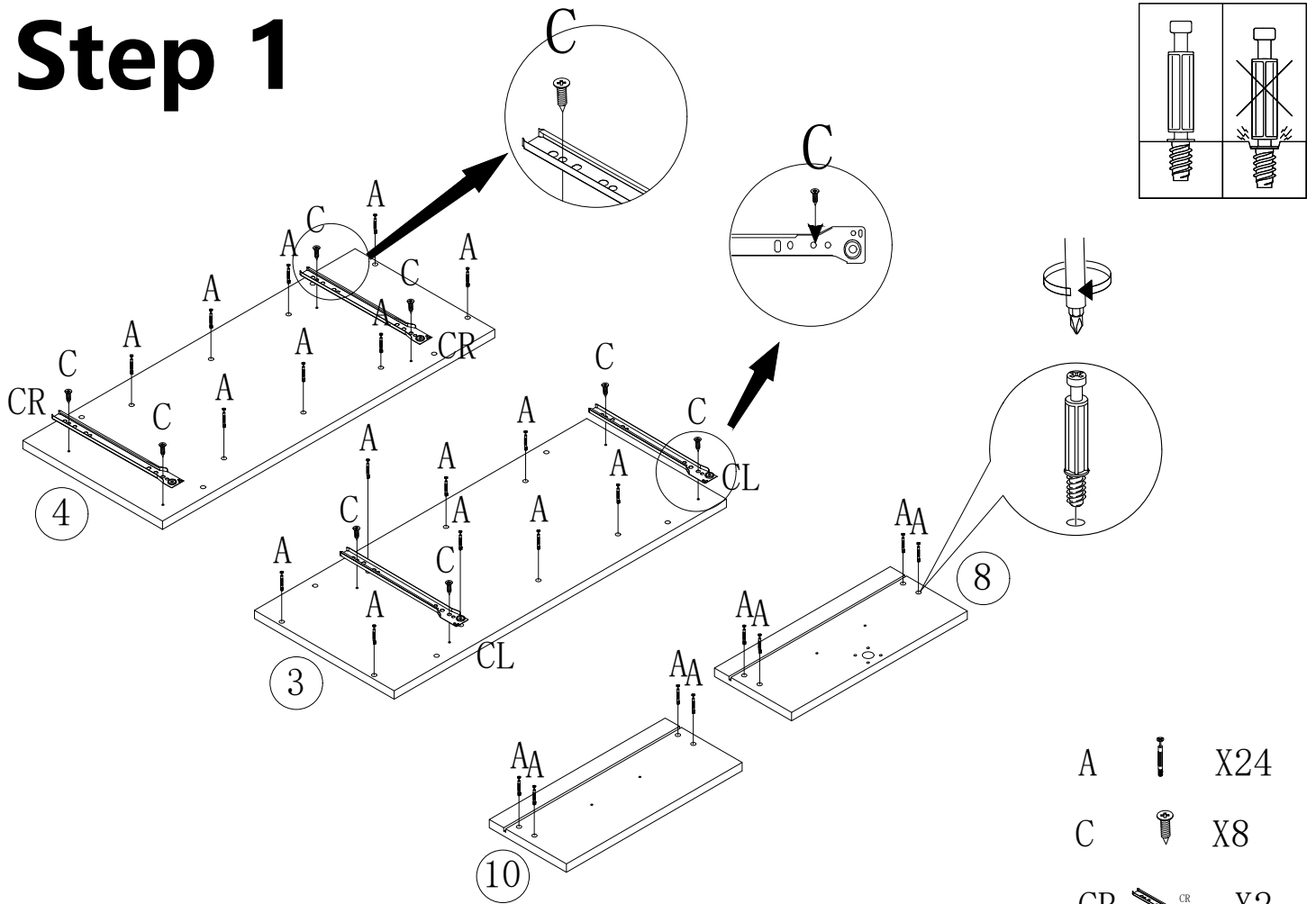


M3. 5*14

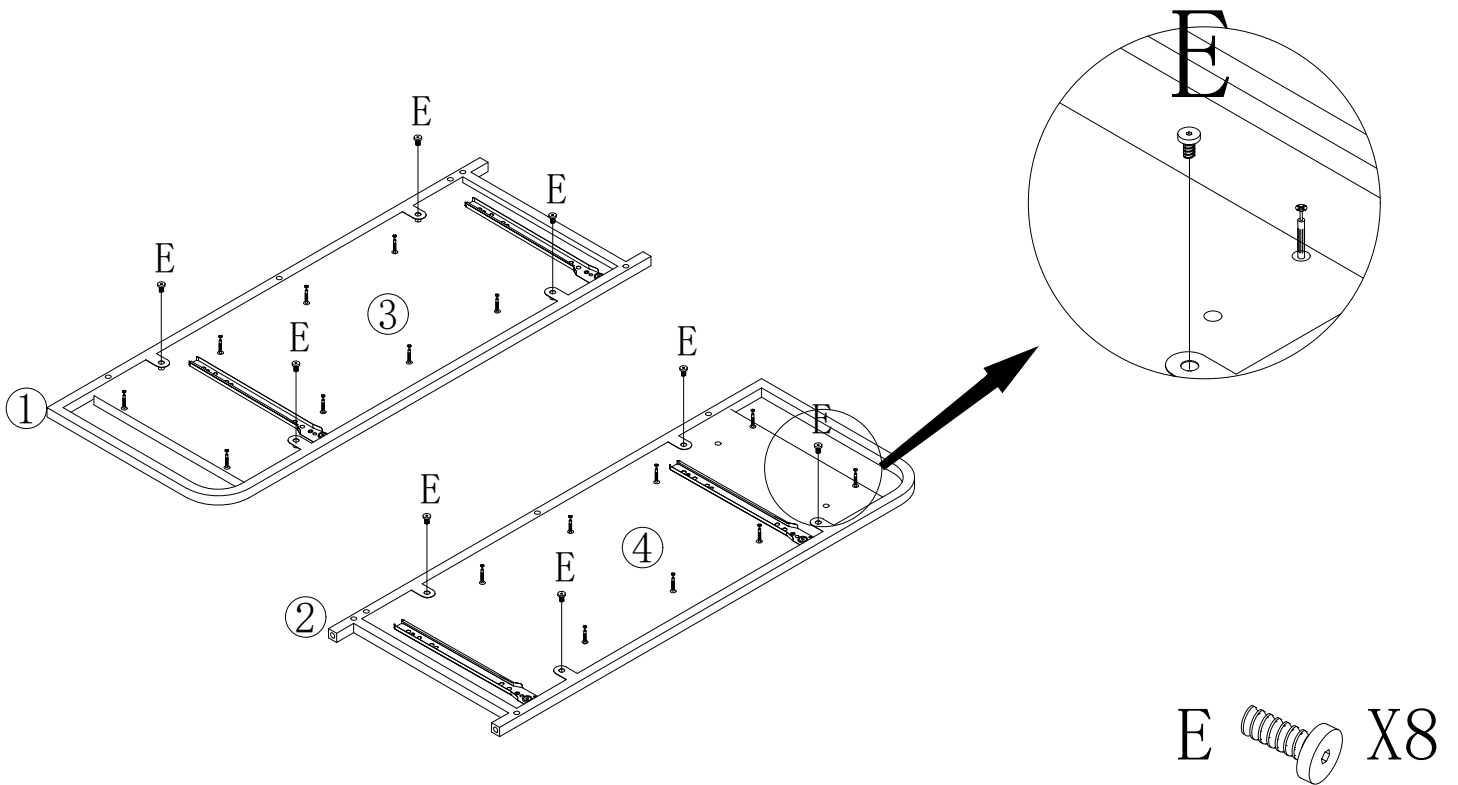
4PCS



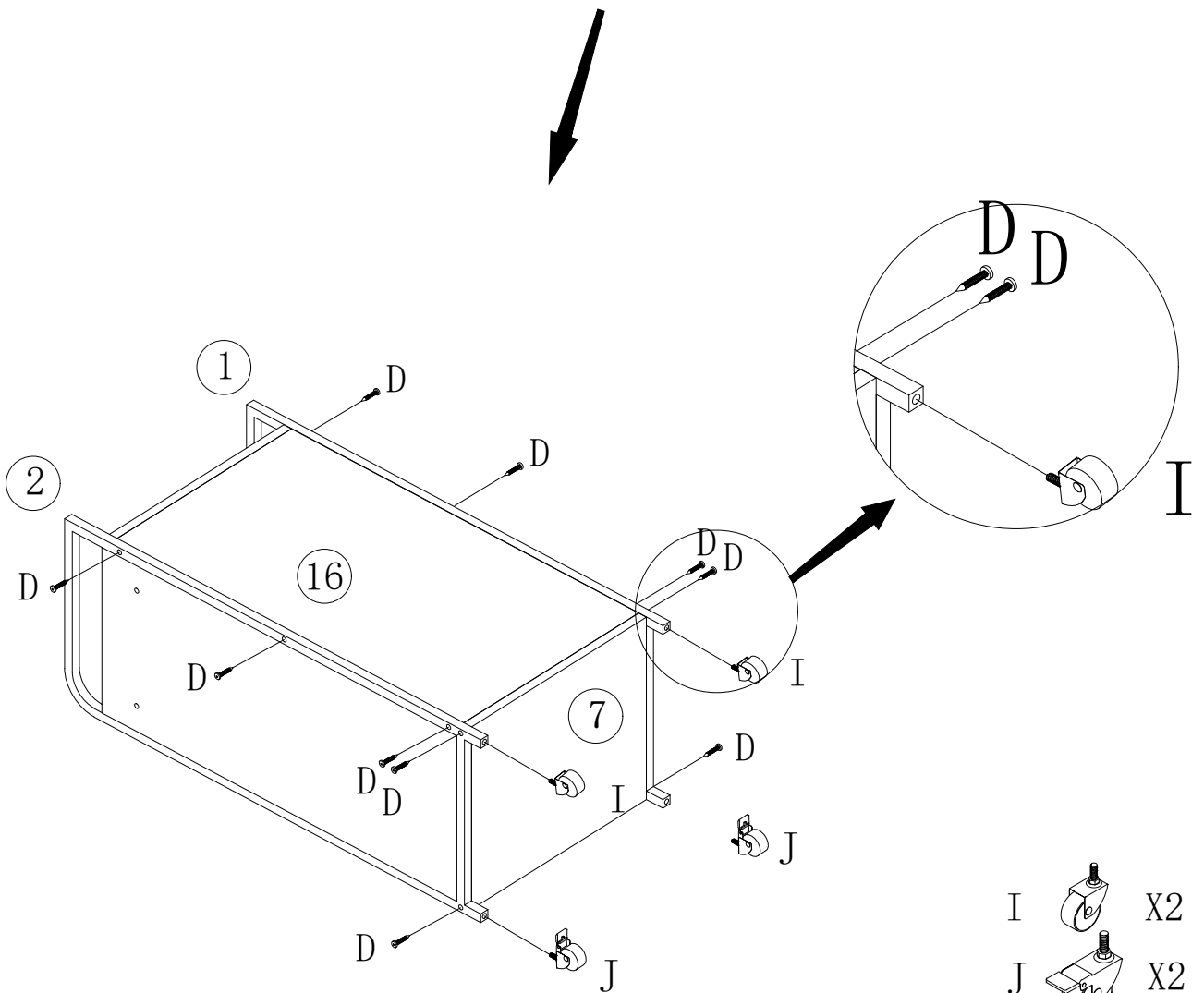
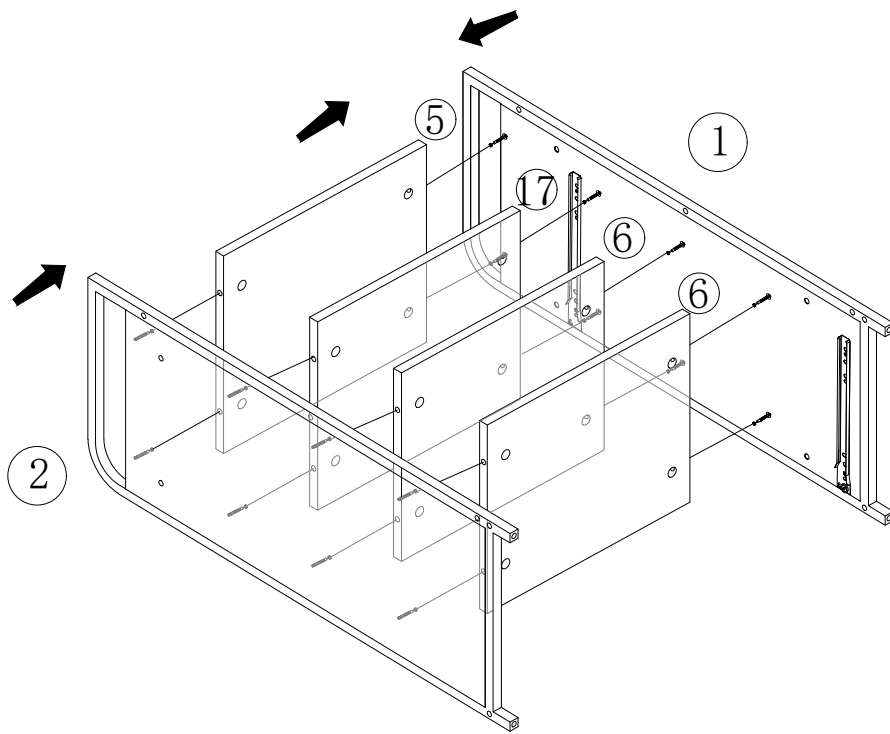
Step 1


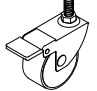



Step 2

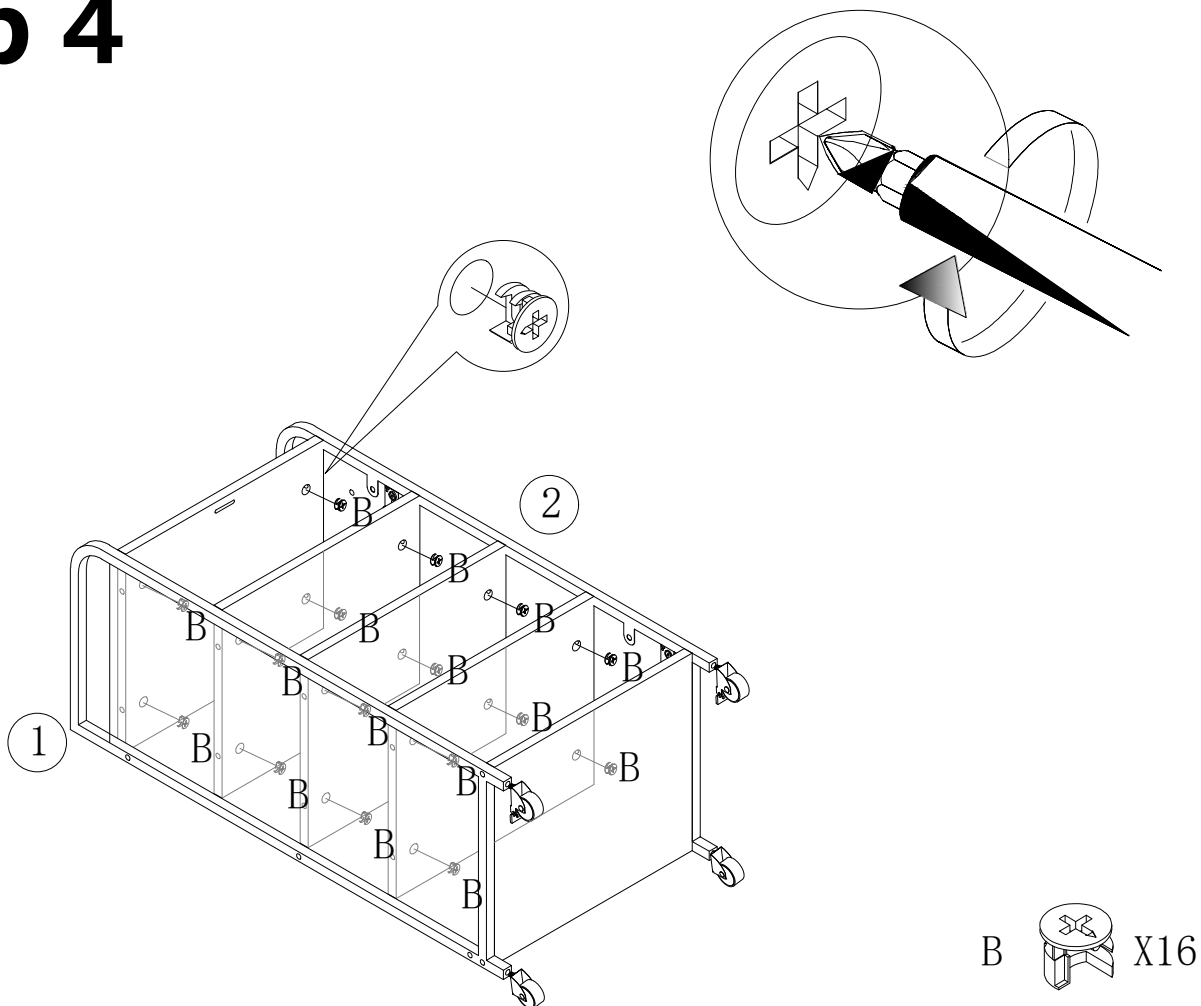


Step 3

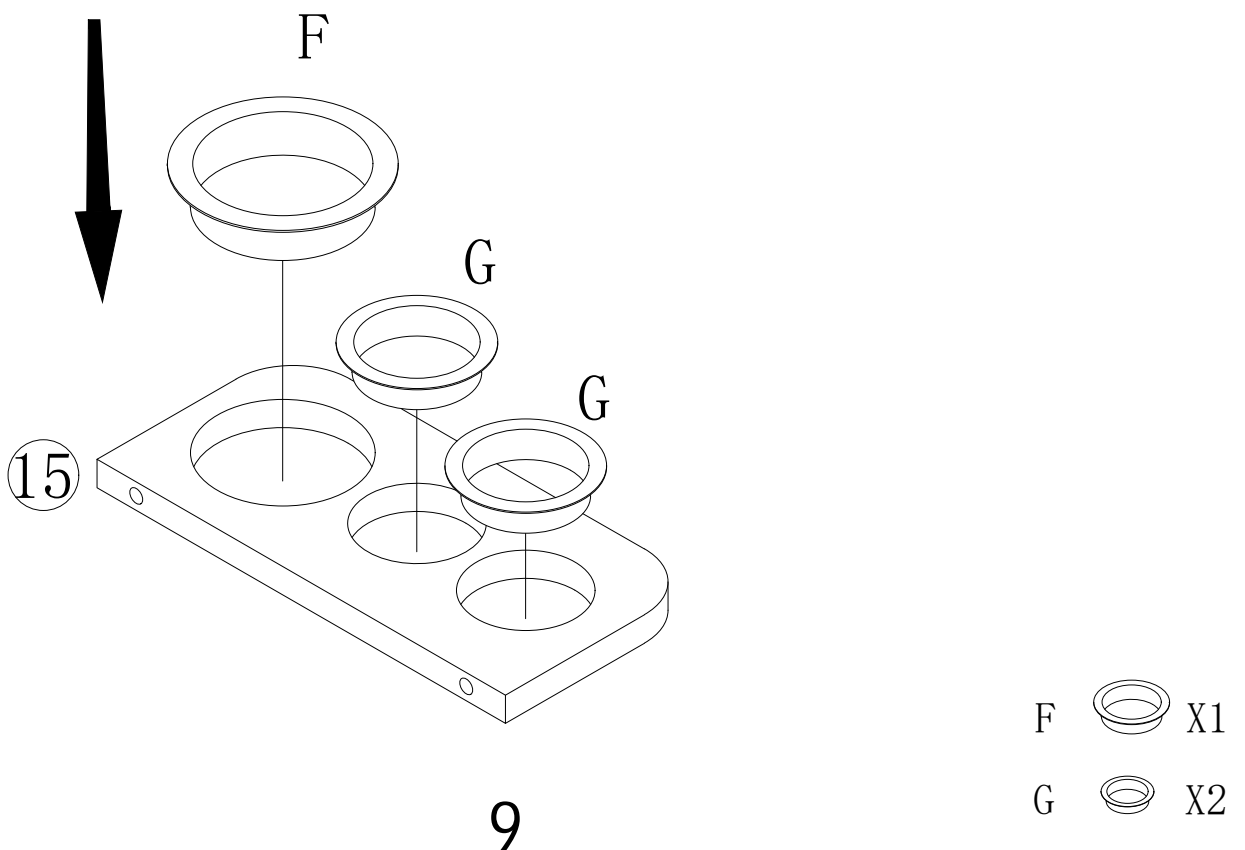


- I  X2
- J  X2
- D  X10

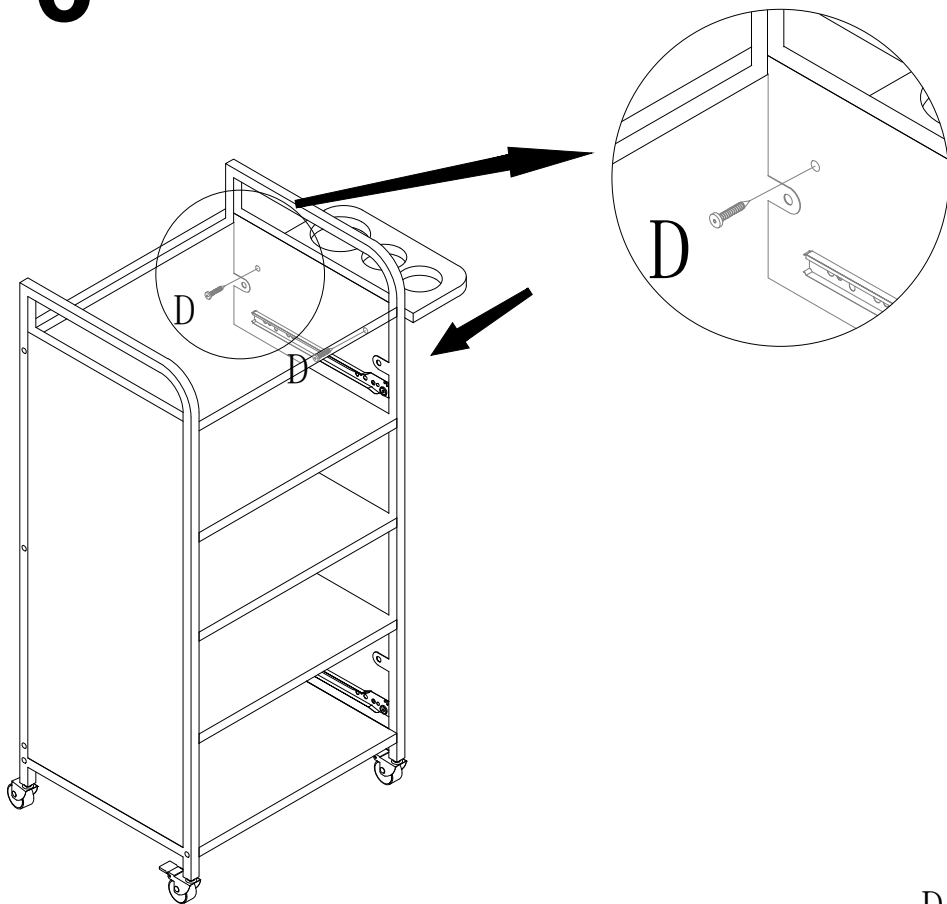
Step 4



Step 5

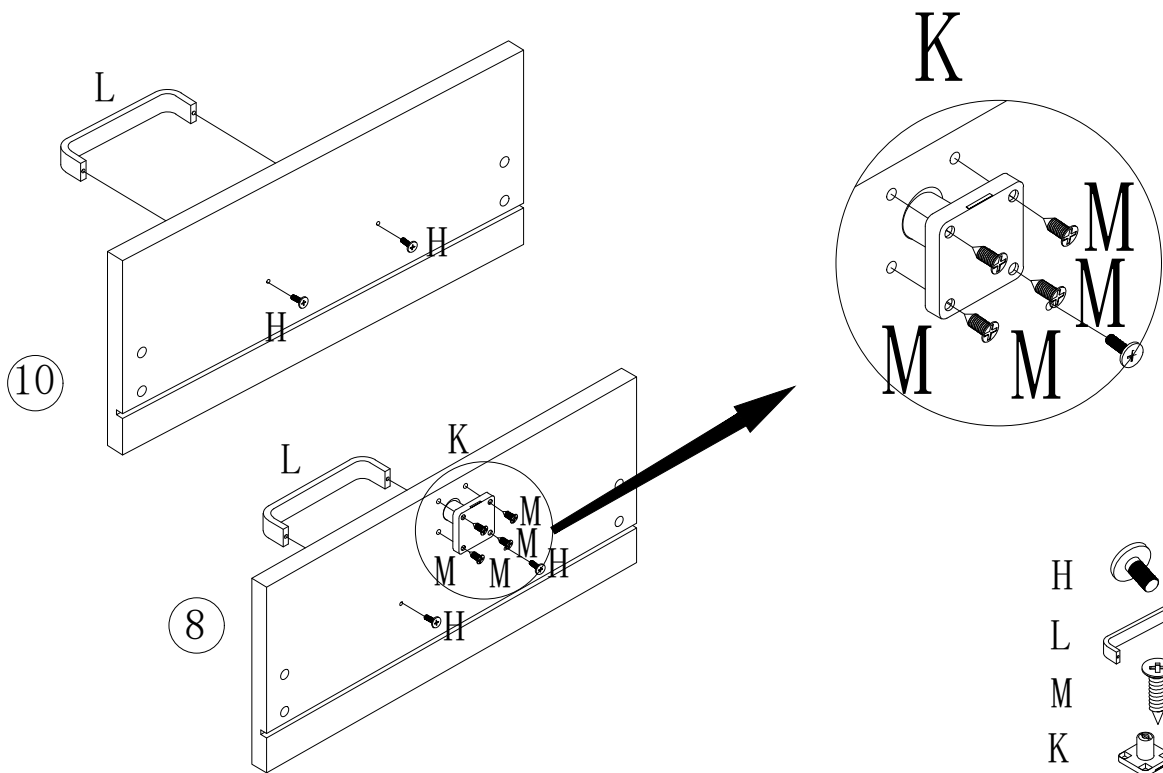



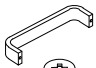


Step 6



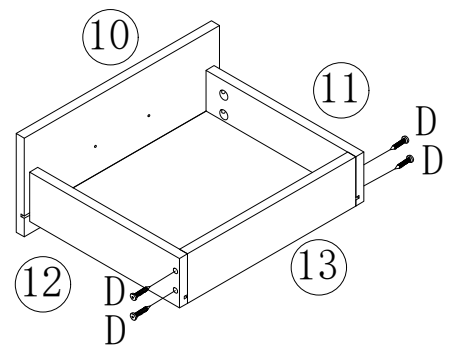
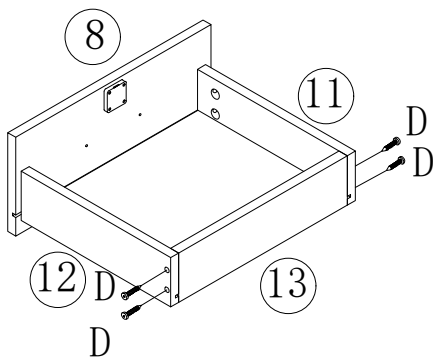
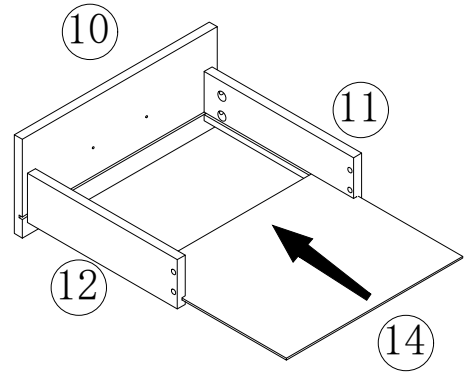
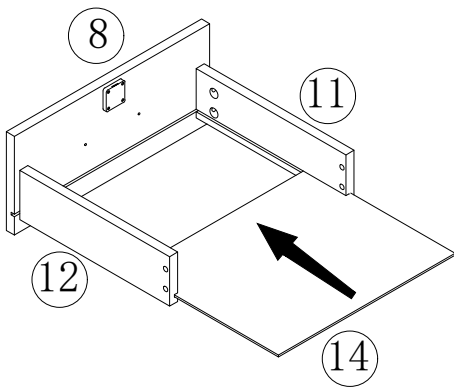
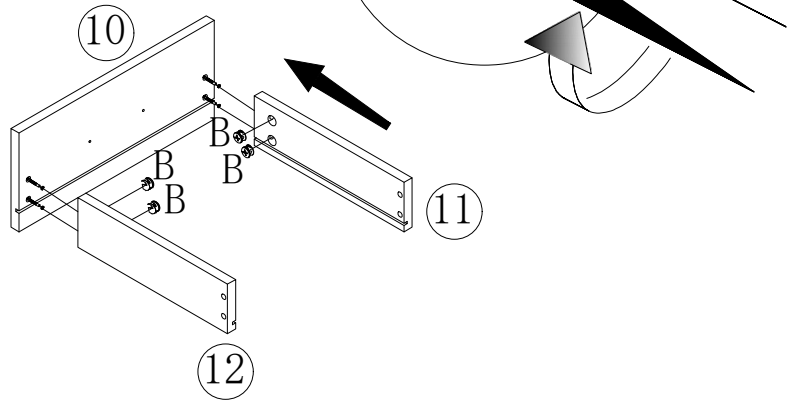
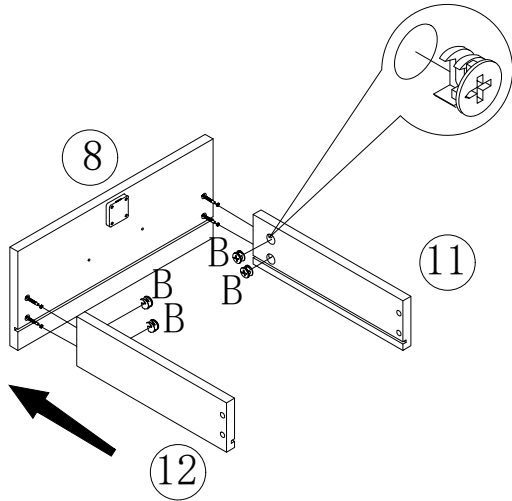
D  X2


Step 7

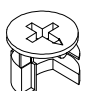


H		X4
L		X2
M		X4
K		X1

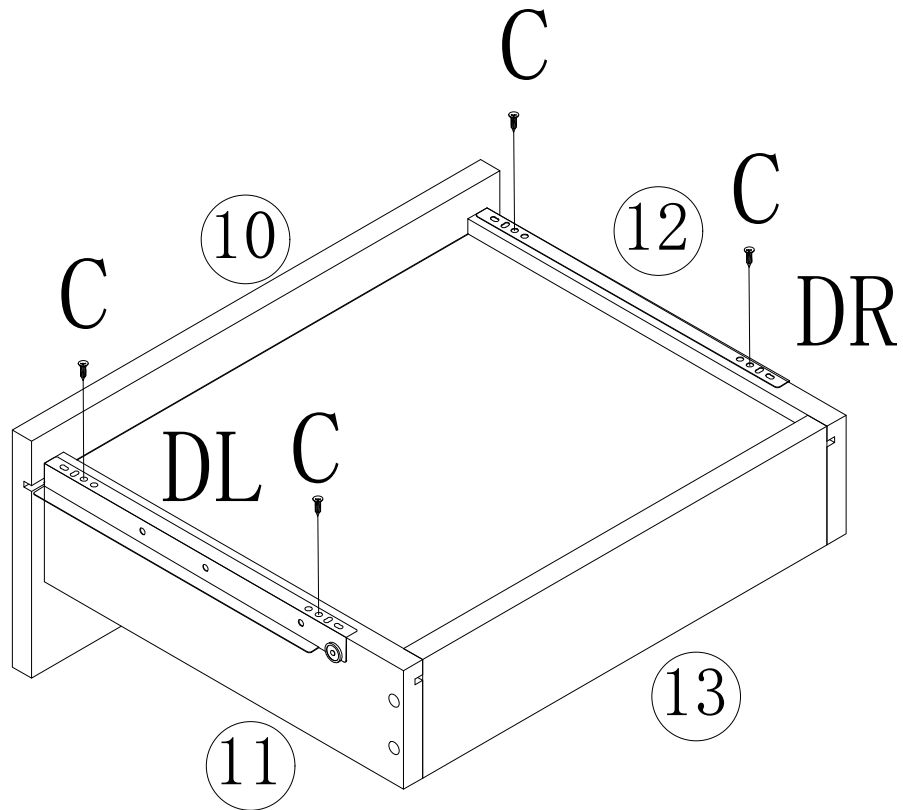
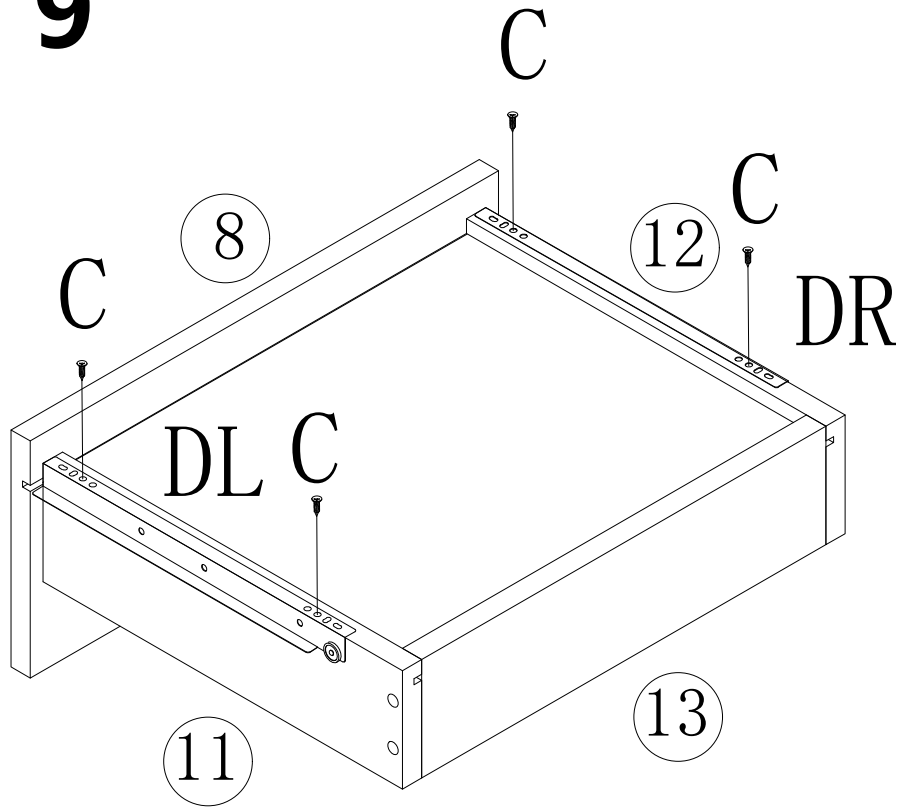
Step 8


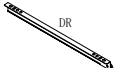
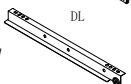


D  X8

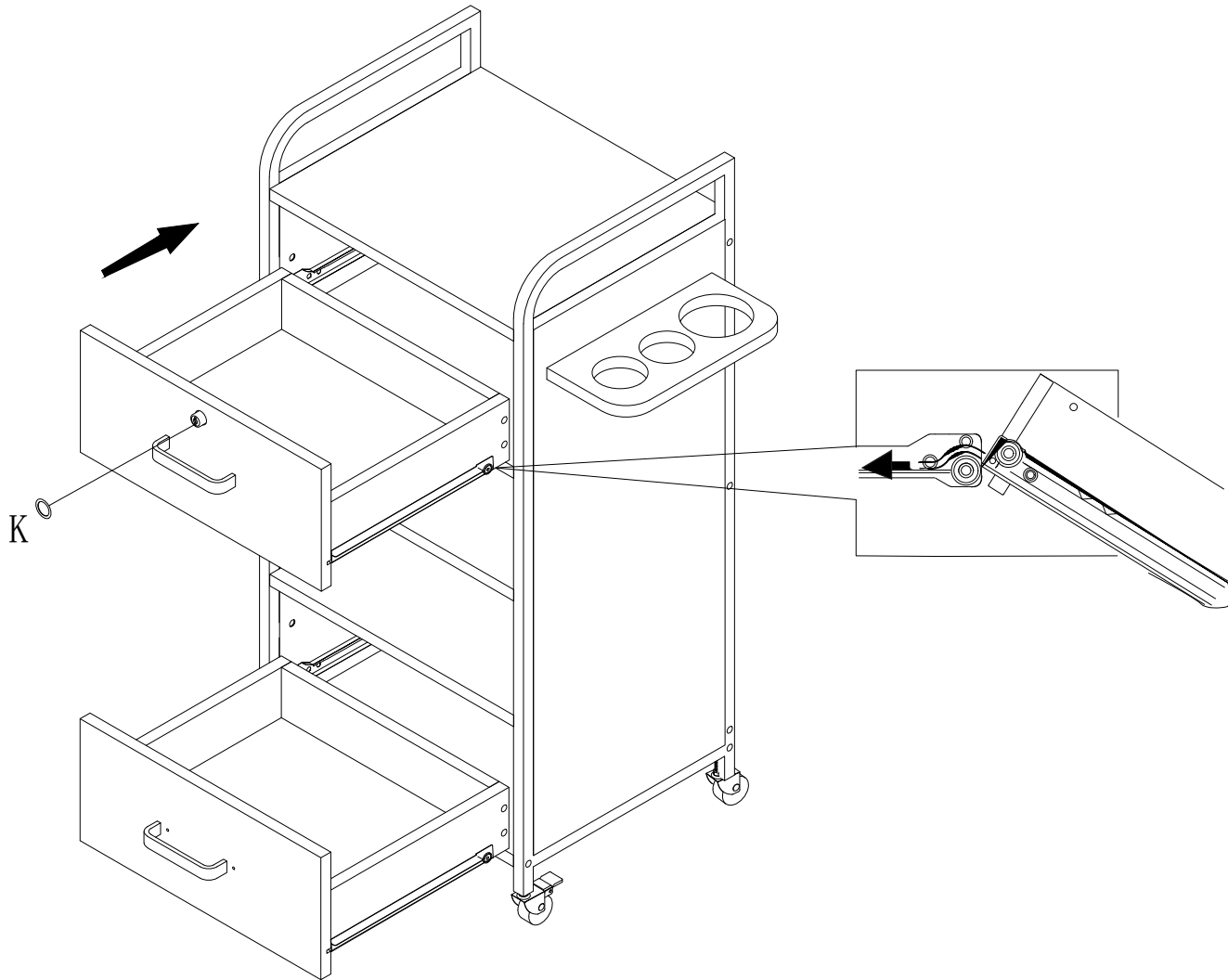
B  X8

Step 9



- C  X8
- DR  X2
- DL  X2

Step 10



K  X1