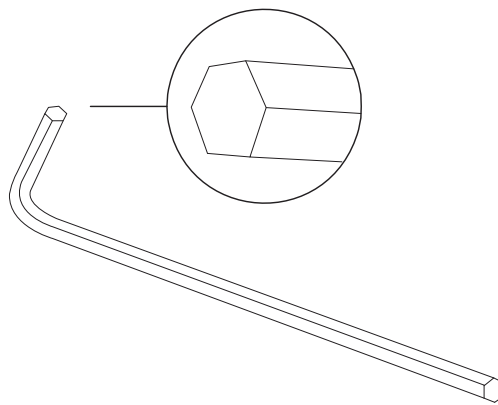


Attention:Don't tighten the screw before all screws are in place

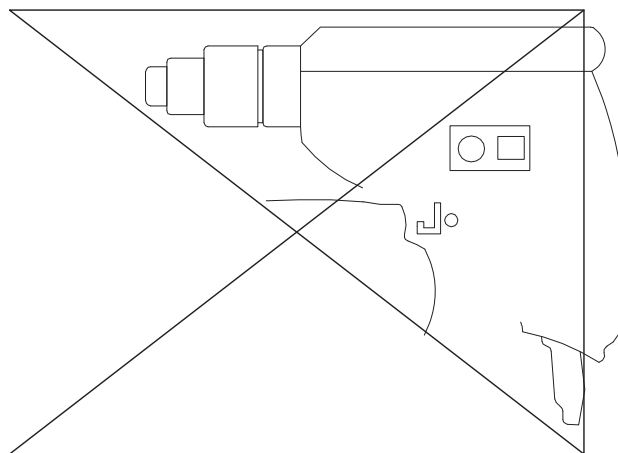
USER'S MANUAL
WF315416

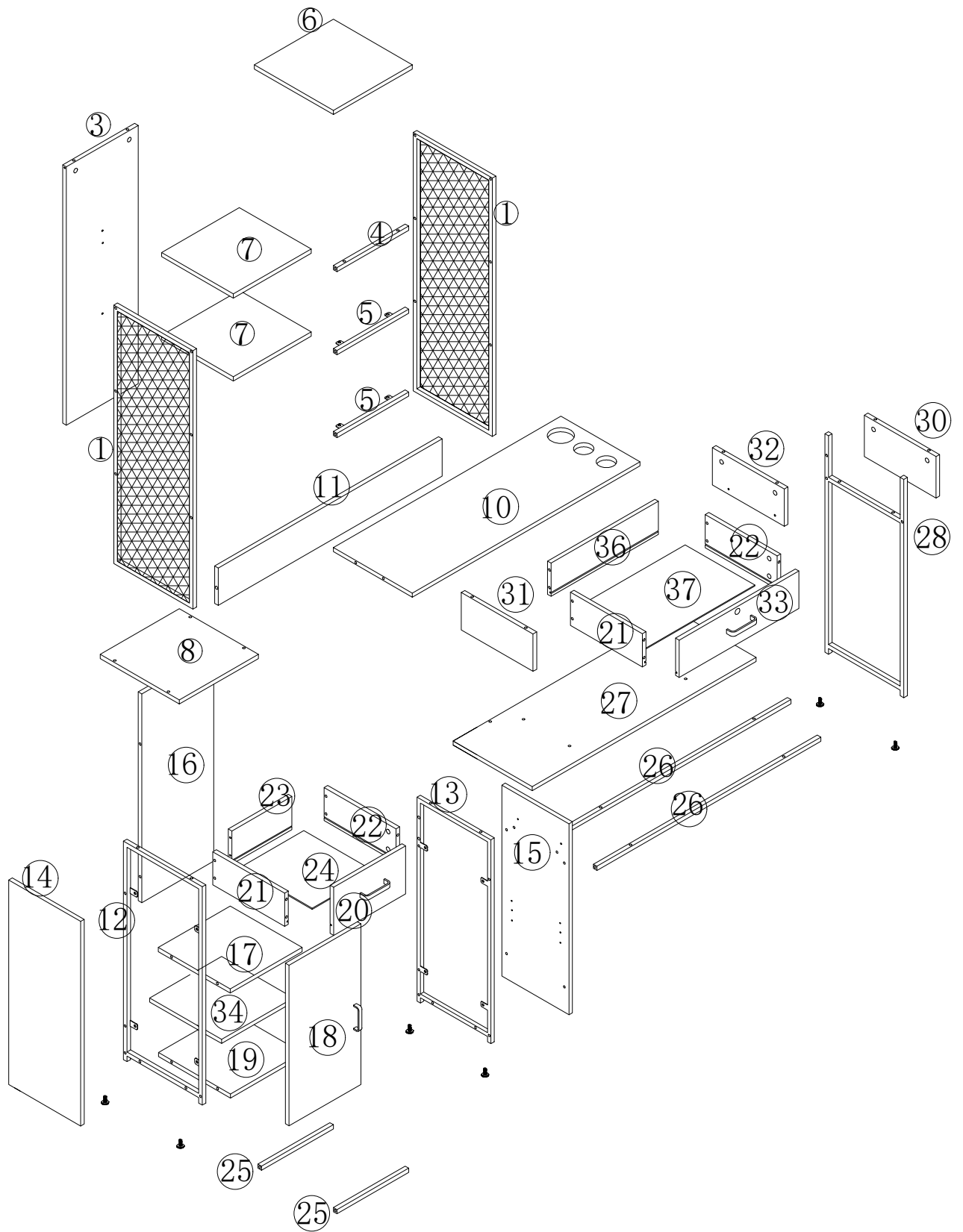
General Assembly Guidelines

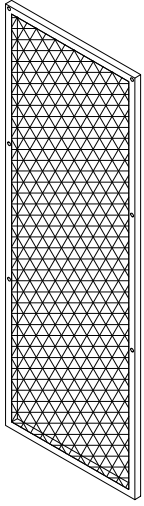
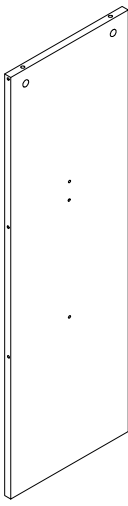
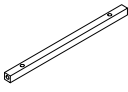
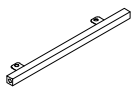
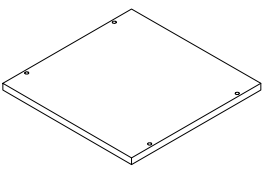
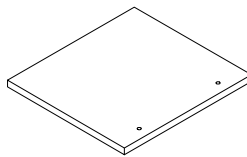
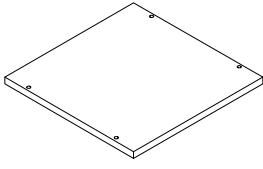
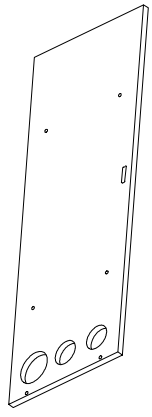
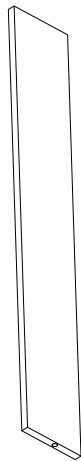
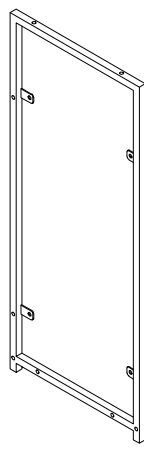
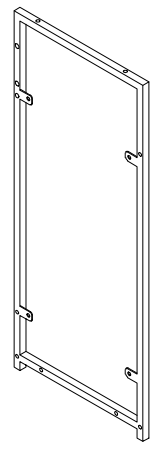
- I. Ensure that all parts and hardware are available before beginning assembly.
- II. Follow each step carefully to ensure the proper assembly of this product.
- III. Two people are recommended for ease in the assembly of this product.
- IV. The three main types of hardware used to assemble this product are : wood dowels , screws and bolts.
- VI. A Phillips head screwdriver is required for the assembly of this product .

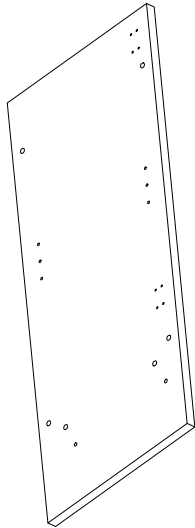
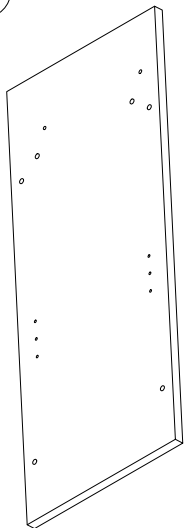
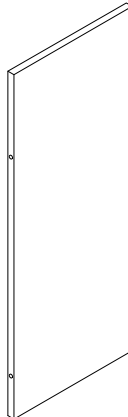
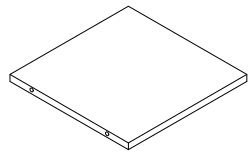

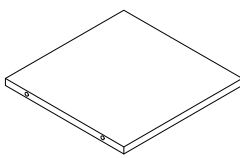
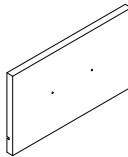
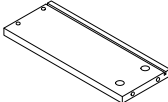
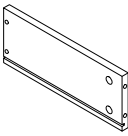
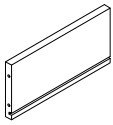
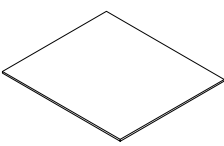
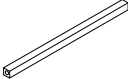



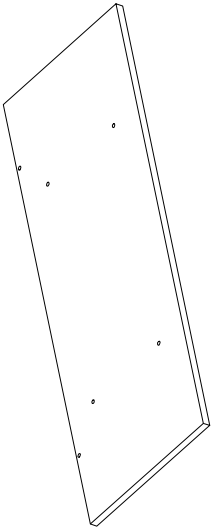
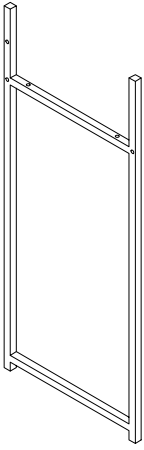
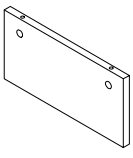
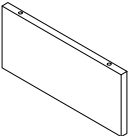
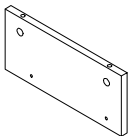
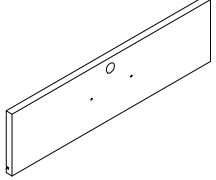
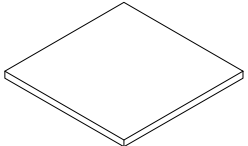
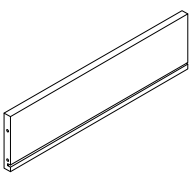
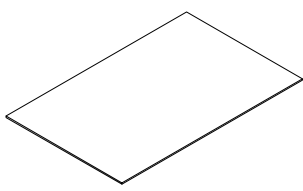
- VII. Power tools should not be used to assemble this product .


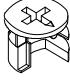


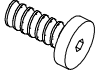

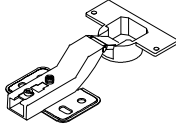

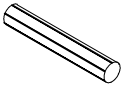
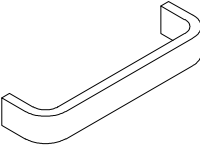


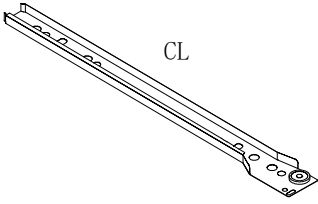
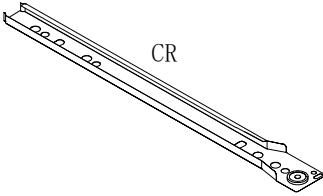
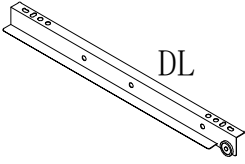
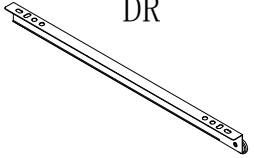


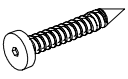
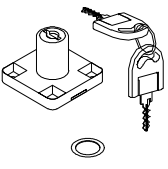
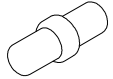
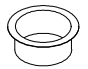

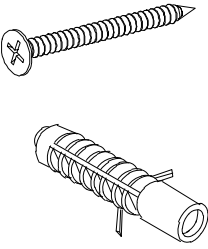
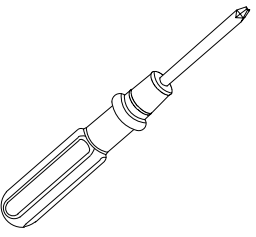
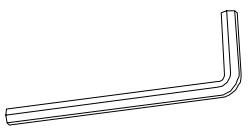


<p>① X1</p>  <p>935*330*15 (MM)</p>		<p>③ X1</p>  <p>935*300*15 (MM)</p>	<p>④ X1</p>  <p>300*15*15 (MM)</p>
<p>⑤ X2</p>  <p>300*15*15 (MM)</p>	<p>⑥ X1</p>  <p>330*330*15 (MM)</p>	<p>⑦ X2</p>  <p>300*320*12 (MM)</p>	<p>⑧ X1</p>  <p>330*330*15 (MM)</p>
<p>⑩ X1</p>  <p>950*330*15 (MM)</p>	<p>⑪ X1</p>  <p>935*135*15 (MM)</p>	<p>⑫ X1</p>  <p>790*330*15 (MM)</p>	<p>⑬ X1</p>  <p>790*330*15 (MM)</p>

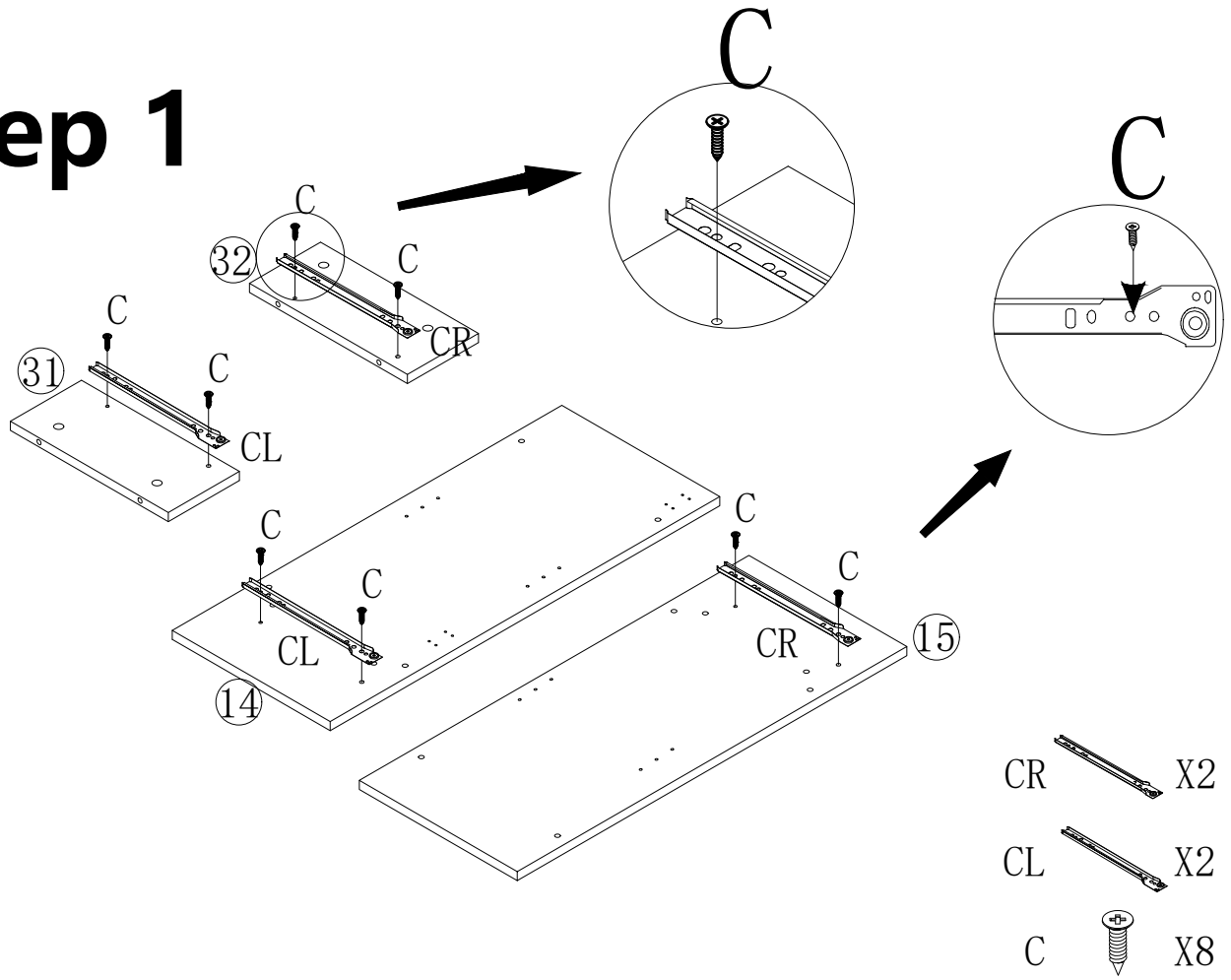
<p>⑭ X1</p>  <p>740*300*12 (MM)</p>	<p>⑮ X1</p>  <p>740*300*12 (MM)</p>	<p>⑯ X1</p>  <p>755*300*15 (MM)</p>	<p>⑰ X1</p>  <p>300*300*15 (MM)</p>
<p>⑱ X1</p>  <p>605*295*15 (MM)</p>	<p>⑲ X1</p>  <p>300*300*12 (MM)</p>	<p>⑳ X1</p>  <p>395*145*15 (MM)</p>	<p>㉑ X2</p>  <p>280*80*15 (MM)</p>
<p>㉒ X2</p>  <p>280*80*15 (MM)</p>	<p>㉓ X1</p>  <p>245*80*15 (MM)</p>	<p>㉔ X1</p>  <p>275*253*3 (MM)</p>	<p>㉕ X2</p>  <p>300*15*15 (MM)</p>

<p>②⑥ X2</p>  <p>930*15*15 (MM)</p>	<p>②⑦ X1</p>  <p>930*330*15 (MM)</p>	<p>②⑧ X1</p>  <p>790*15*15 (MM)</p>	<p>③⑩ X1</p>  <p>300*150*15 (MM)</p>
<p>③① X1</p>  <p>300*135*15 (MM)</p>	<p>③② X1</p>  <p>300*135*15 (MM)</p>	<p>③③ X1</p>  <p>500*130*15 (MM)</p>	<p>③④ X1</p>  <p>300*300*12 (MM)</p>
<p>③⑥ X1</p>  <p>415*80*15 (MM)</p>	<p>③⑦ X1</p>  <p>425*275*3 (MM)</p>		

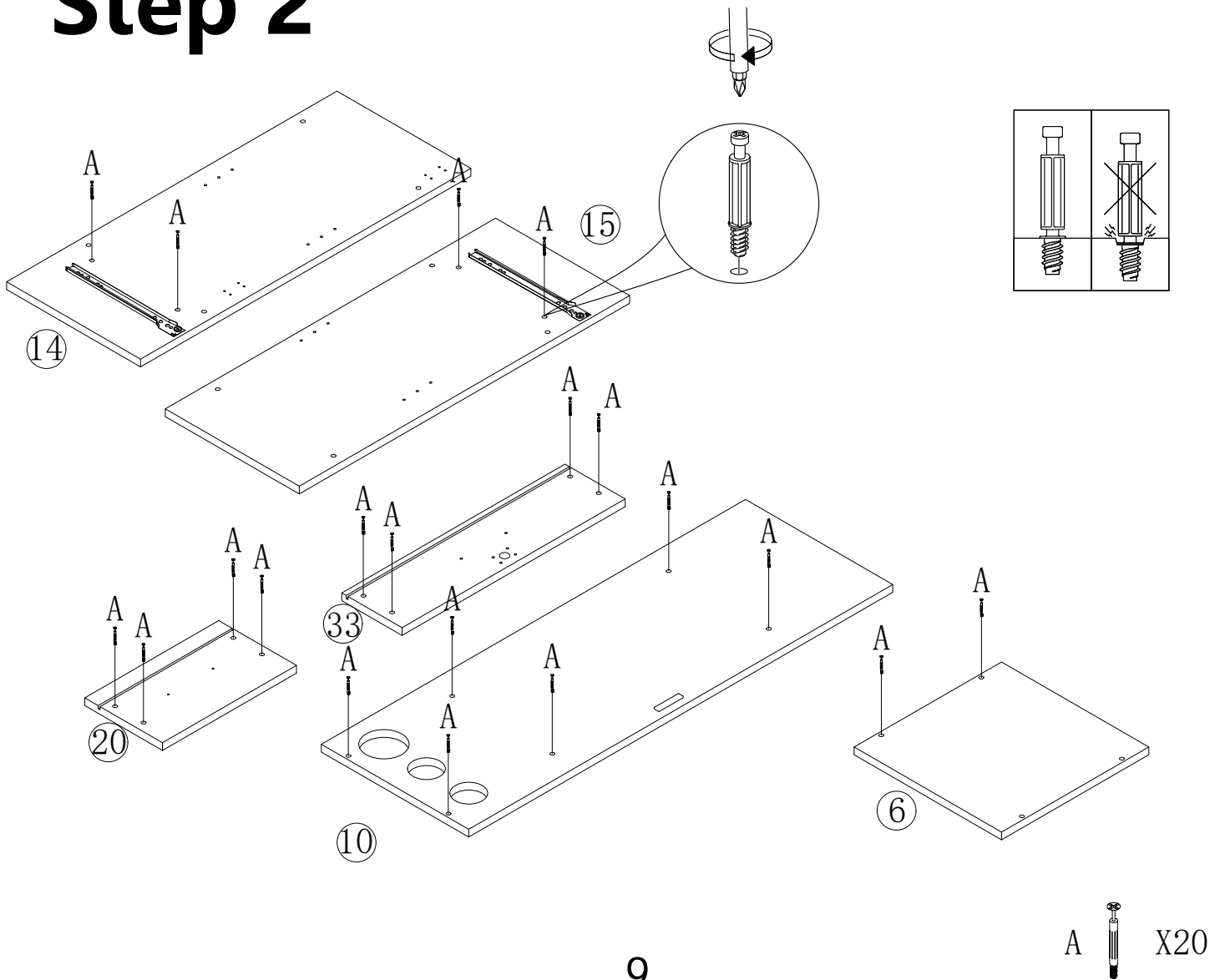
<p>(A)</p>  <p>20PCS</p>	<p>(B)</p>  <p>20PCS</p>	<p>(C)</p>  <p>M3.5*14 32PCS</p>	<p>(D)</p>  <p>M6*28 18PCS</p>
<p>(E)</p>  <p>M6*10 8PCS</p>	<p>(F)</p>  <p>M6*23 4PCS</p>	<p>(G)</p>  <p>2PCS</p>	<p>(H)</p>  <p>M5*40 30PCS</p>
<p>(I)</p>  <p>2PCS</p>	<p>(J)</p>  <p>3PCS</p>	<p>(K)</p>  <p>6PCS</p>	<p>(L)</p>  <p>M4*16 6PCS</p>
<p>(CL)</p>  <p>2PCS</p>	<p>(CR)</p>  <p>2PCS</p>	<p>(DL)</p>  <p>2PCS</p>	<p>(DR)</p>  <p>2PCS</p>

<p>(M)</p>  <p>M5*50 2PCS</p>	<p>(N)</p>  <p>1PCS</p>	<p>(O)</p>  <p>4PCS</p>	<p>(P)</p>  <p>1PCS</p>
<p>(Q)</p>  <p>2PCS</p>	<p>(R)</p>  <p>1PCS</p>		

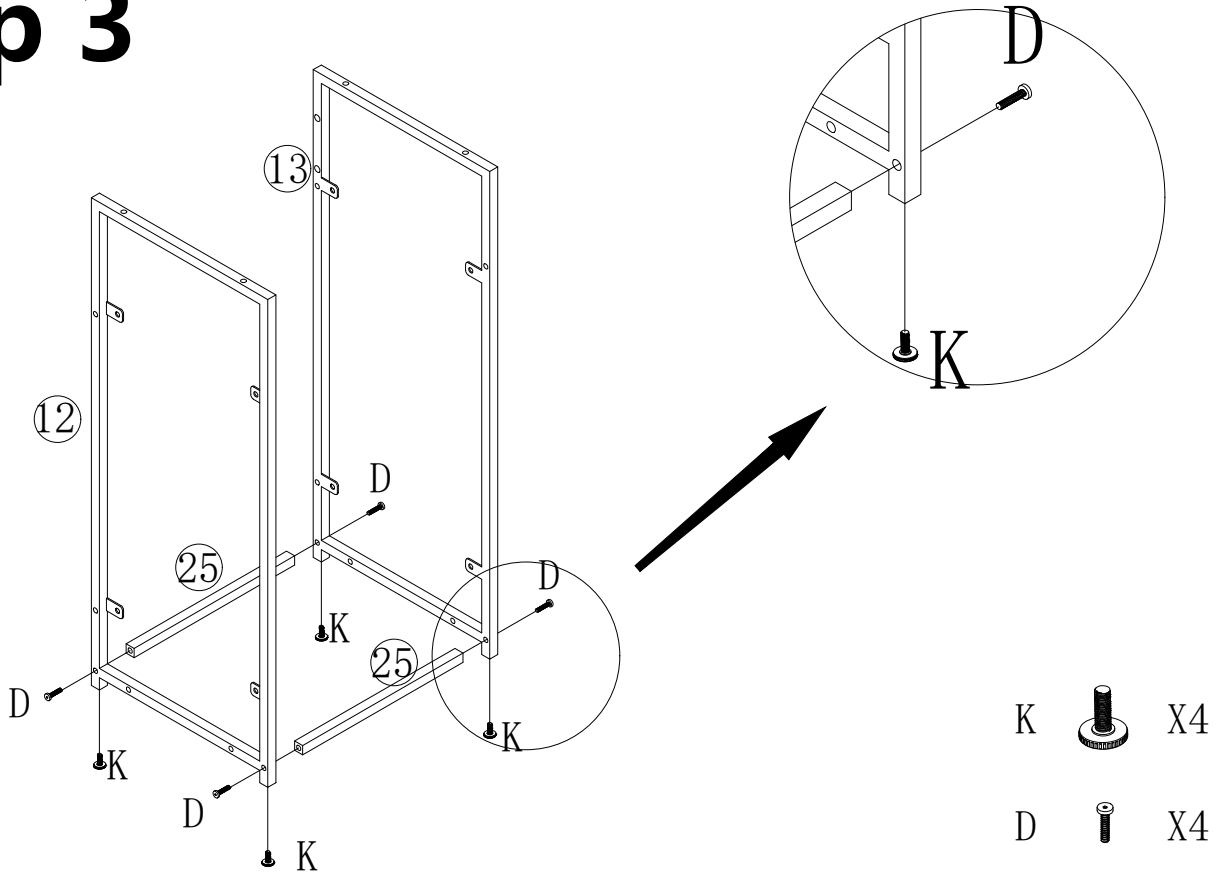
Step 1



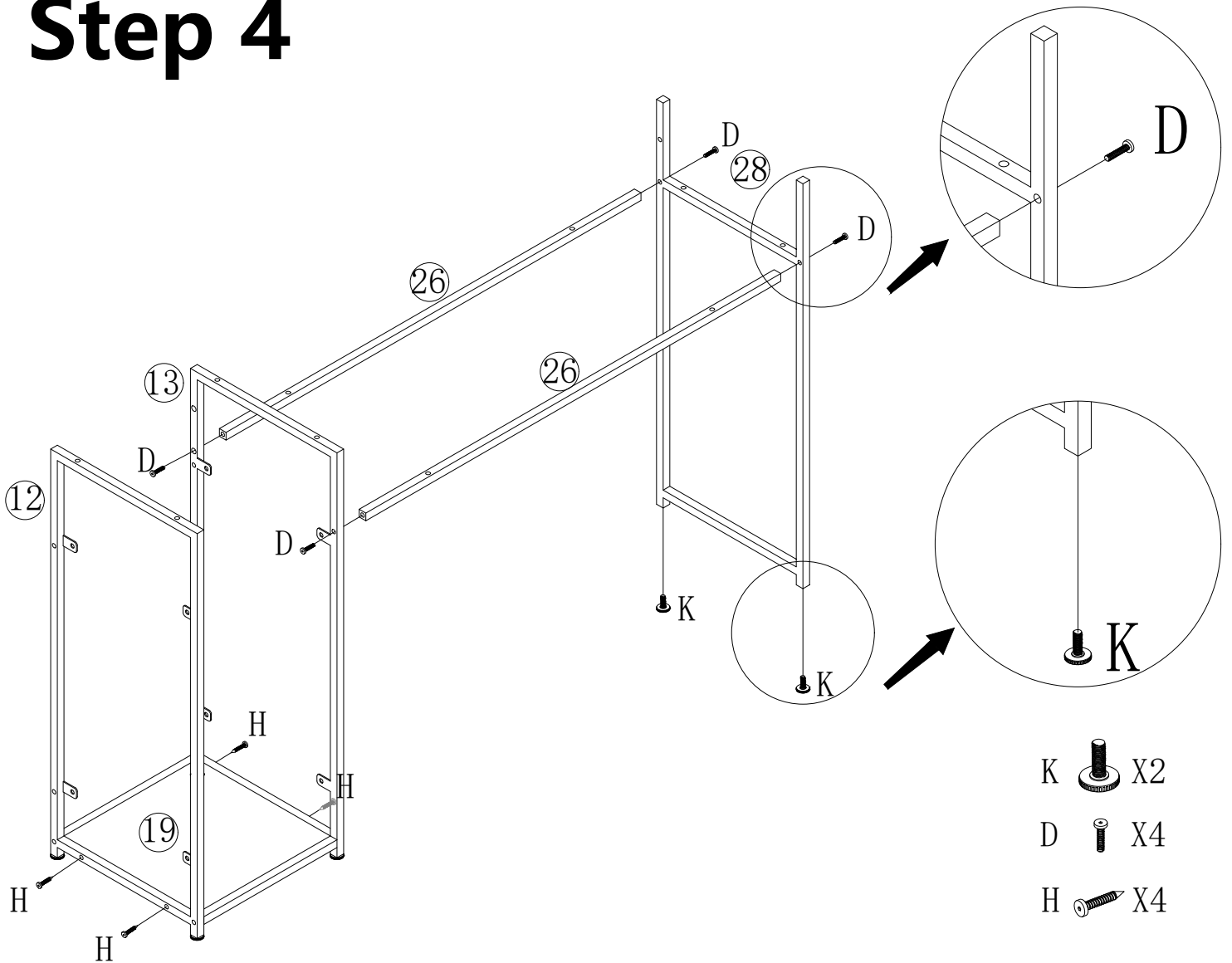
Step 2



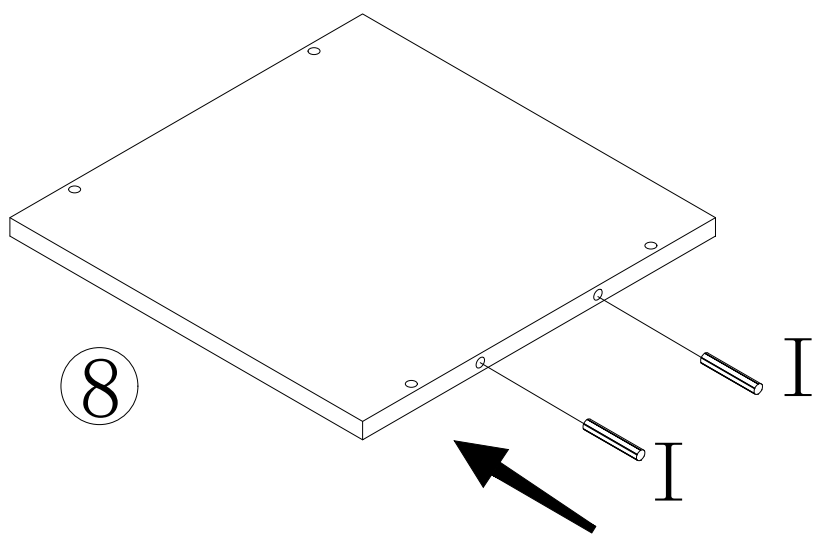
Step 3



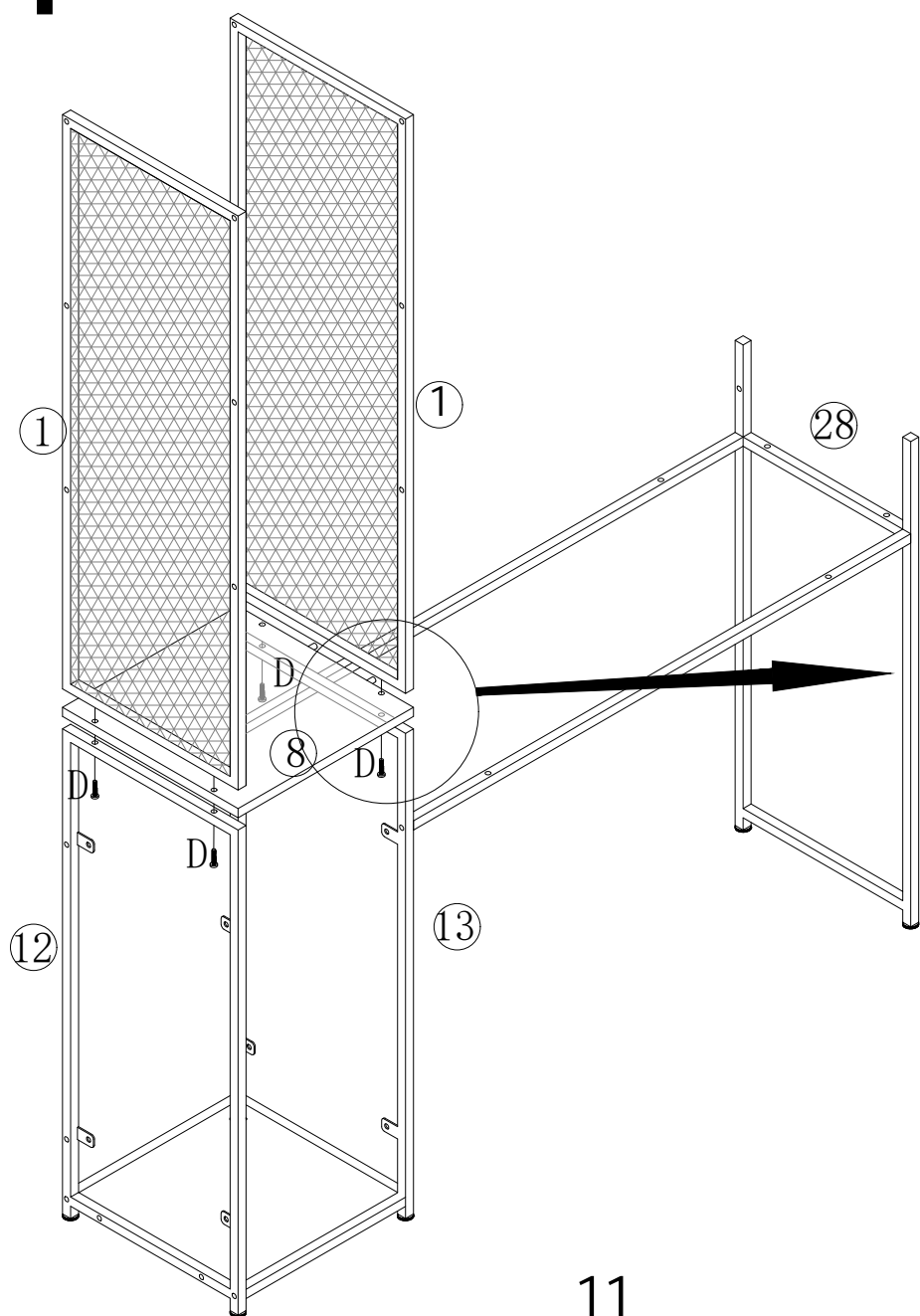
Step 4



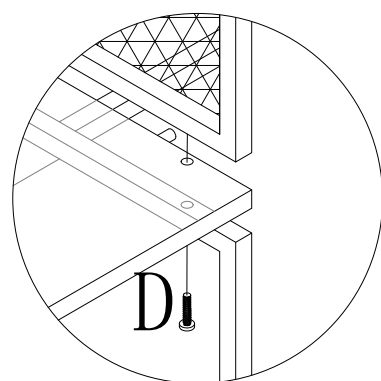
Step 5



Step 6

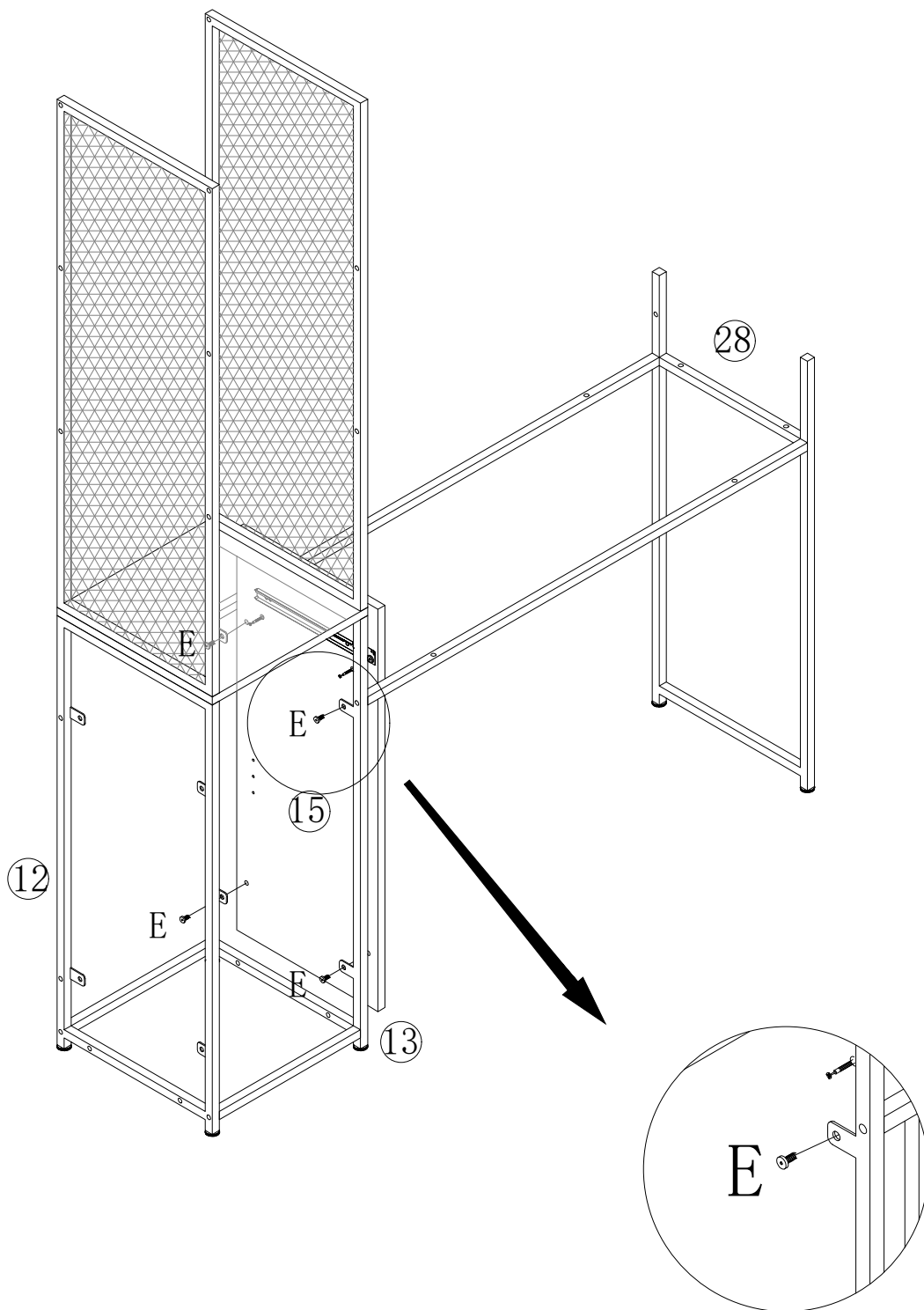


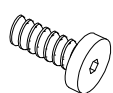
I X2



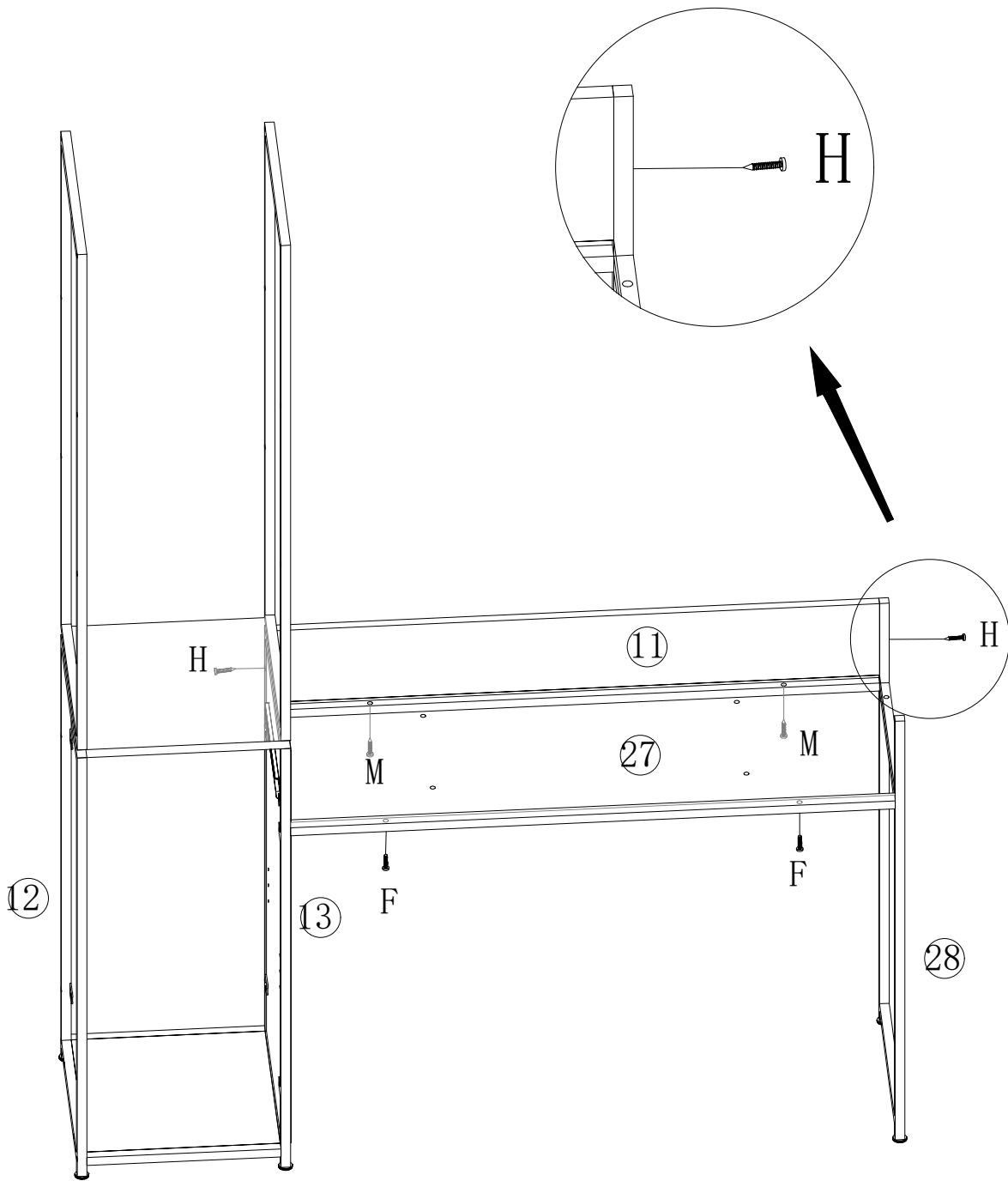
D X4

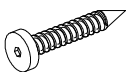
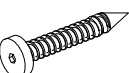
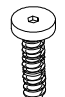
Step 7



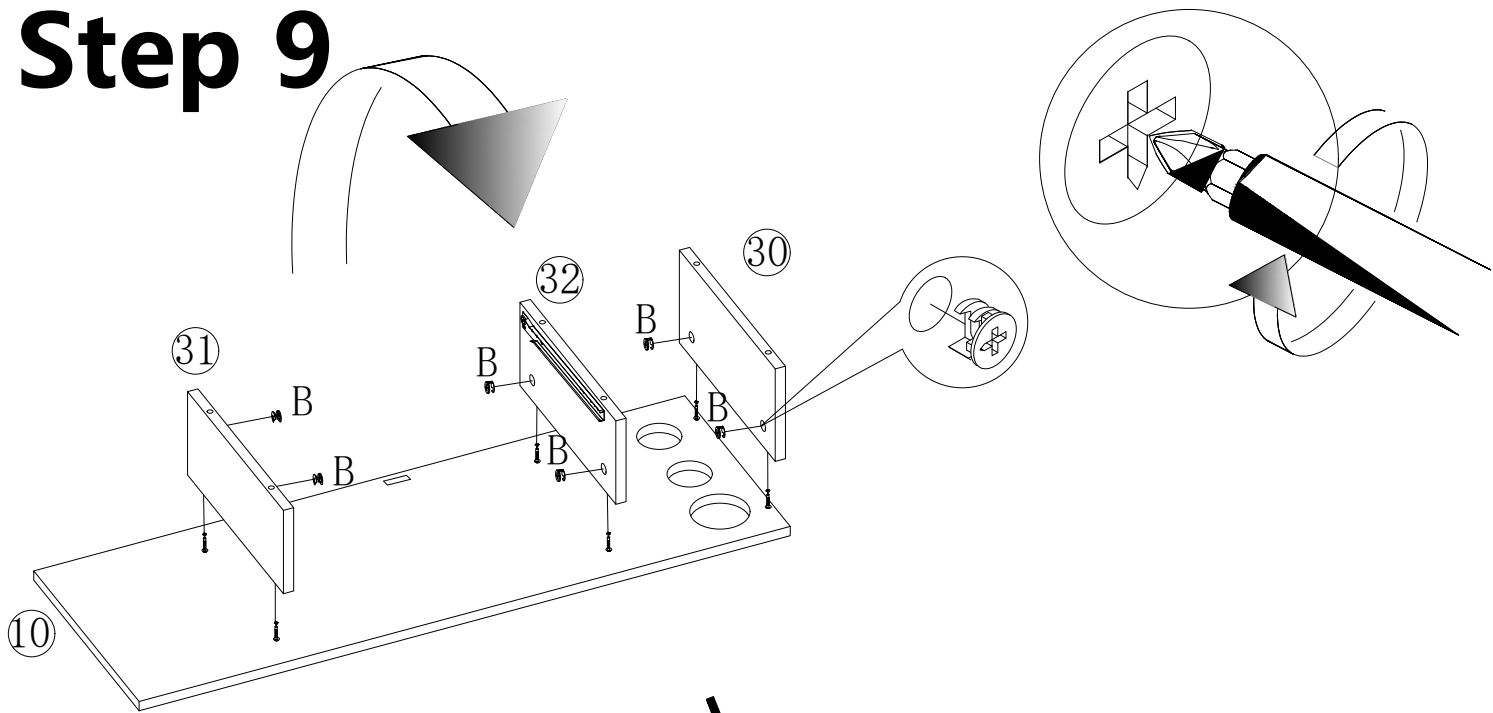
E  X4

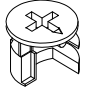
Step 8

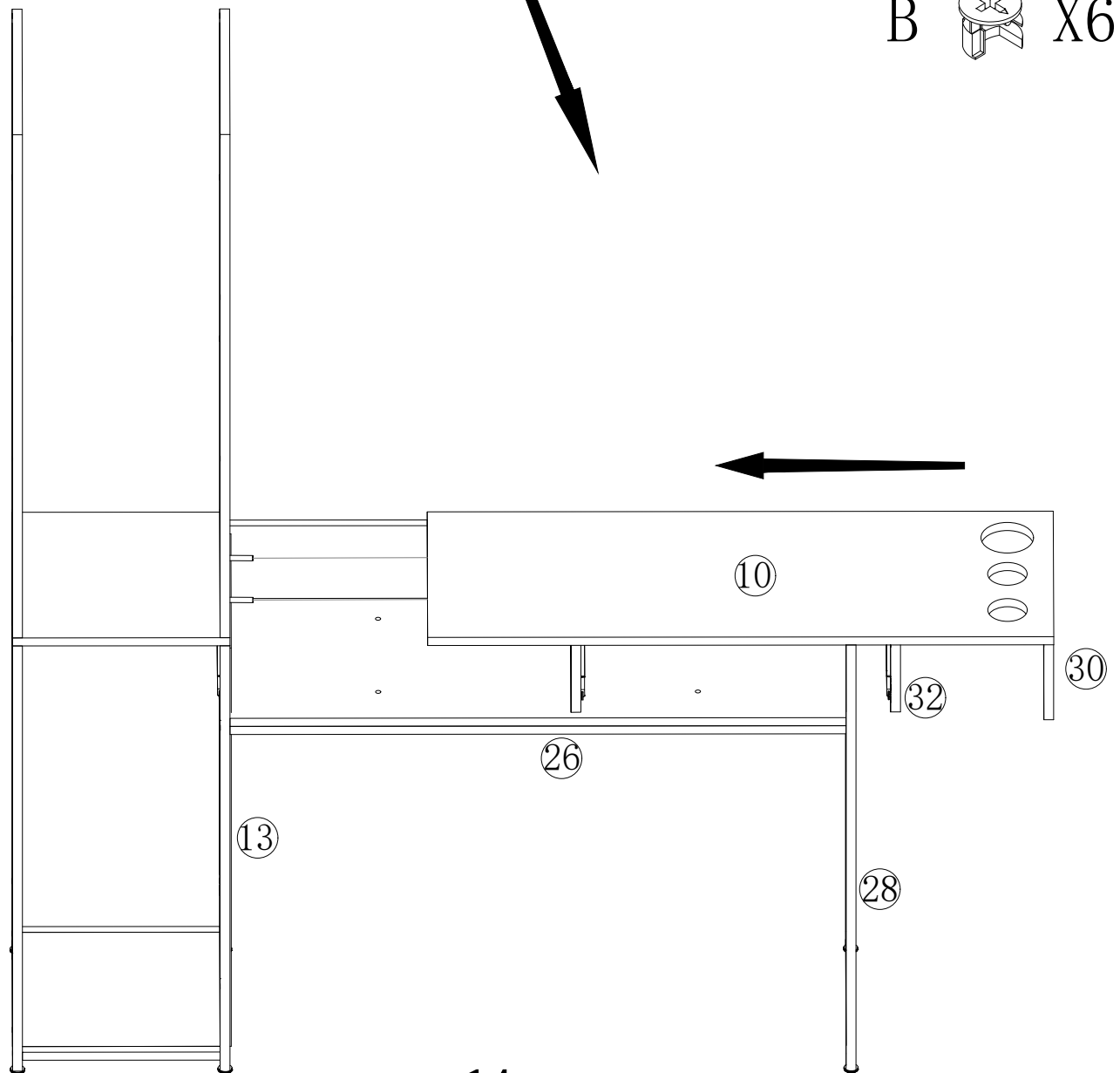


- | | | |
|---|---|----|
| H |  | X2 |
| M |  | X2 |
| F |  | X2 |

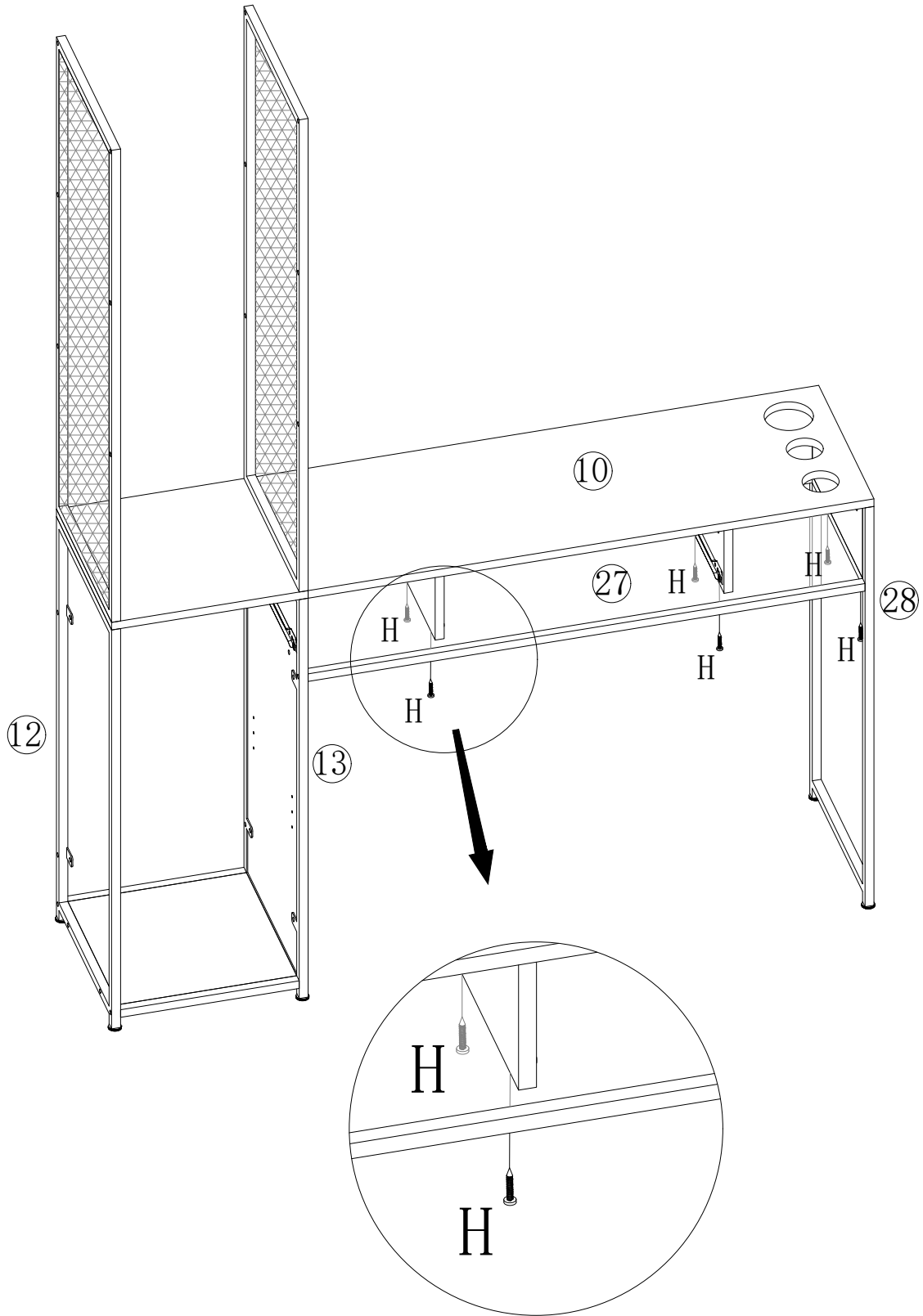
Step 9



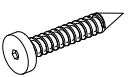
B  X6



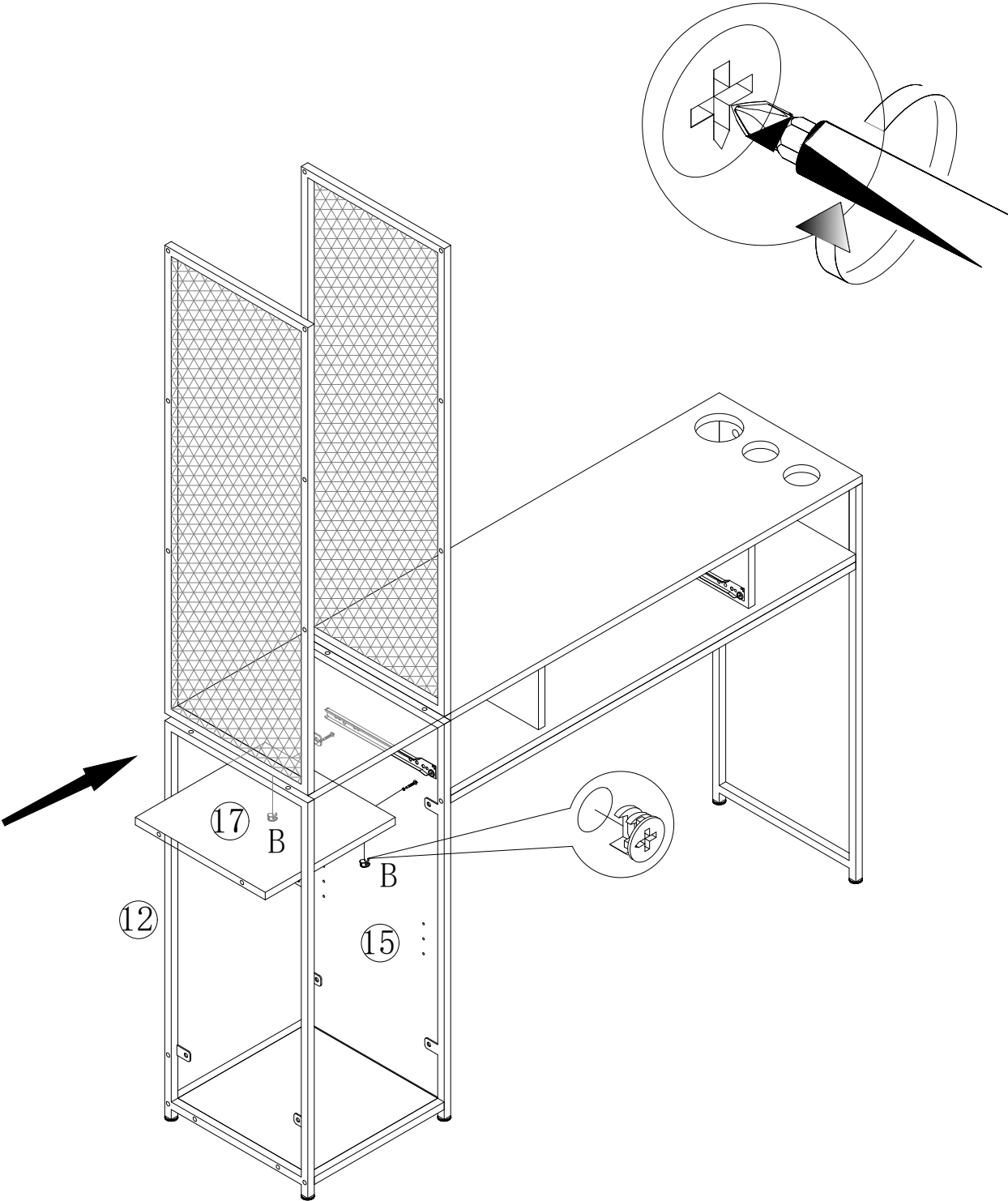
Step 10

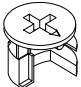


15

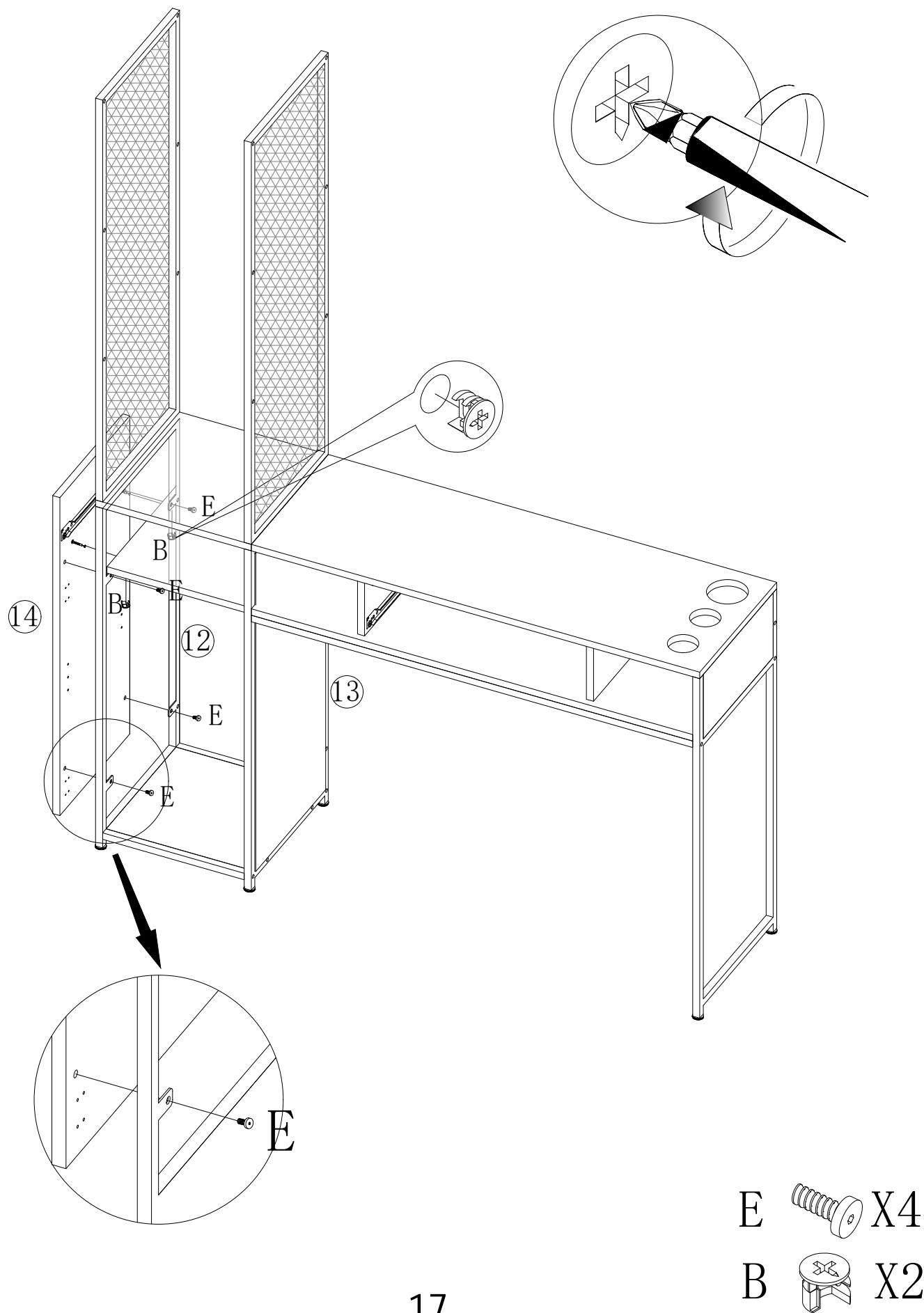
H  X6

Step 11

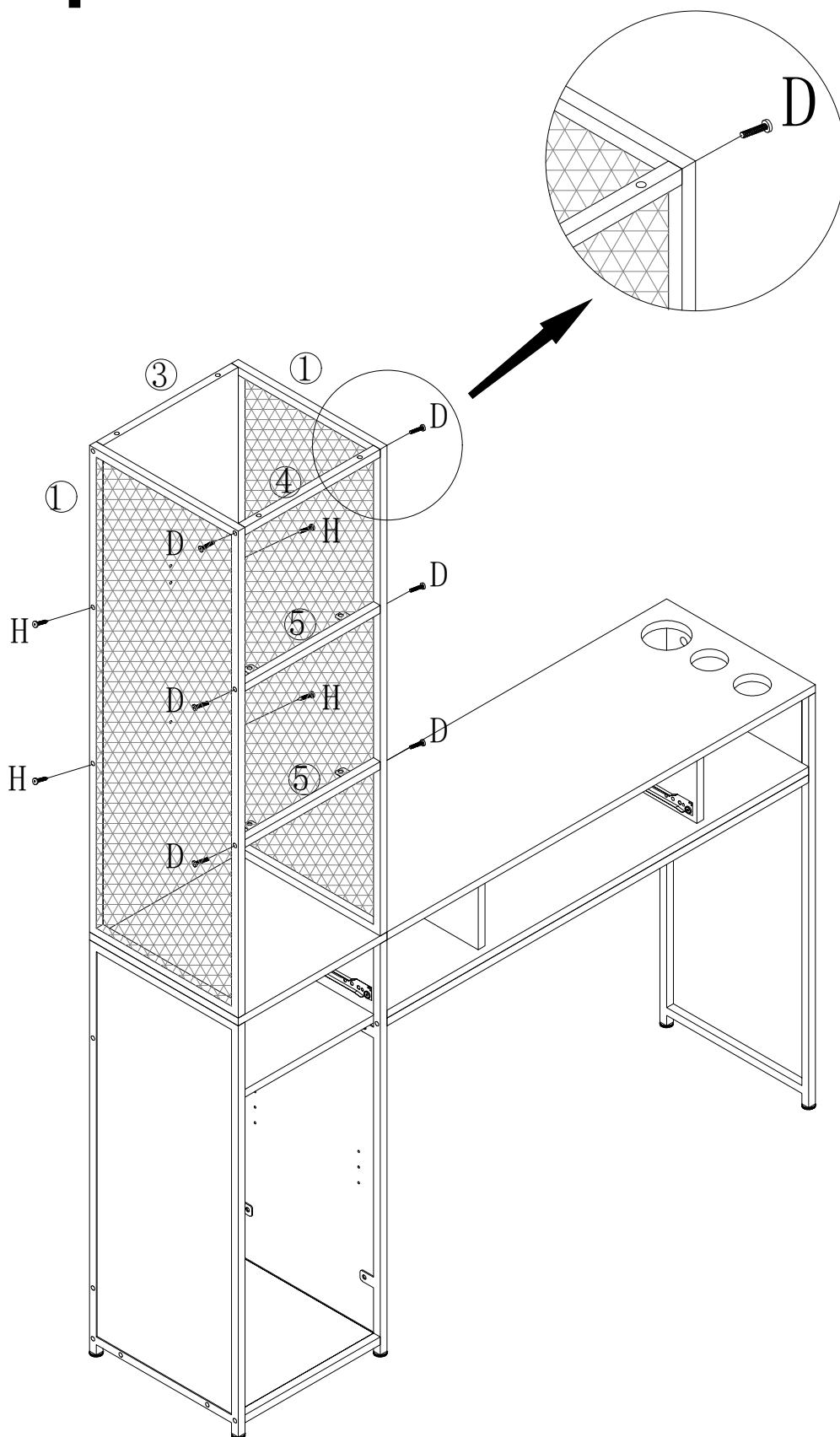


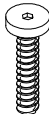
B  X2


Step 12



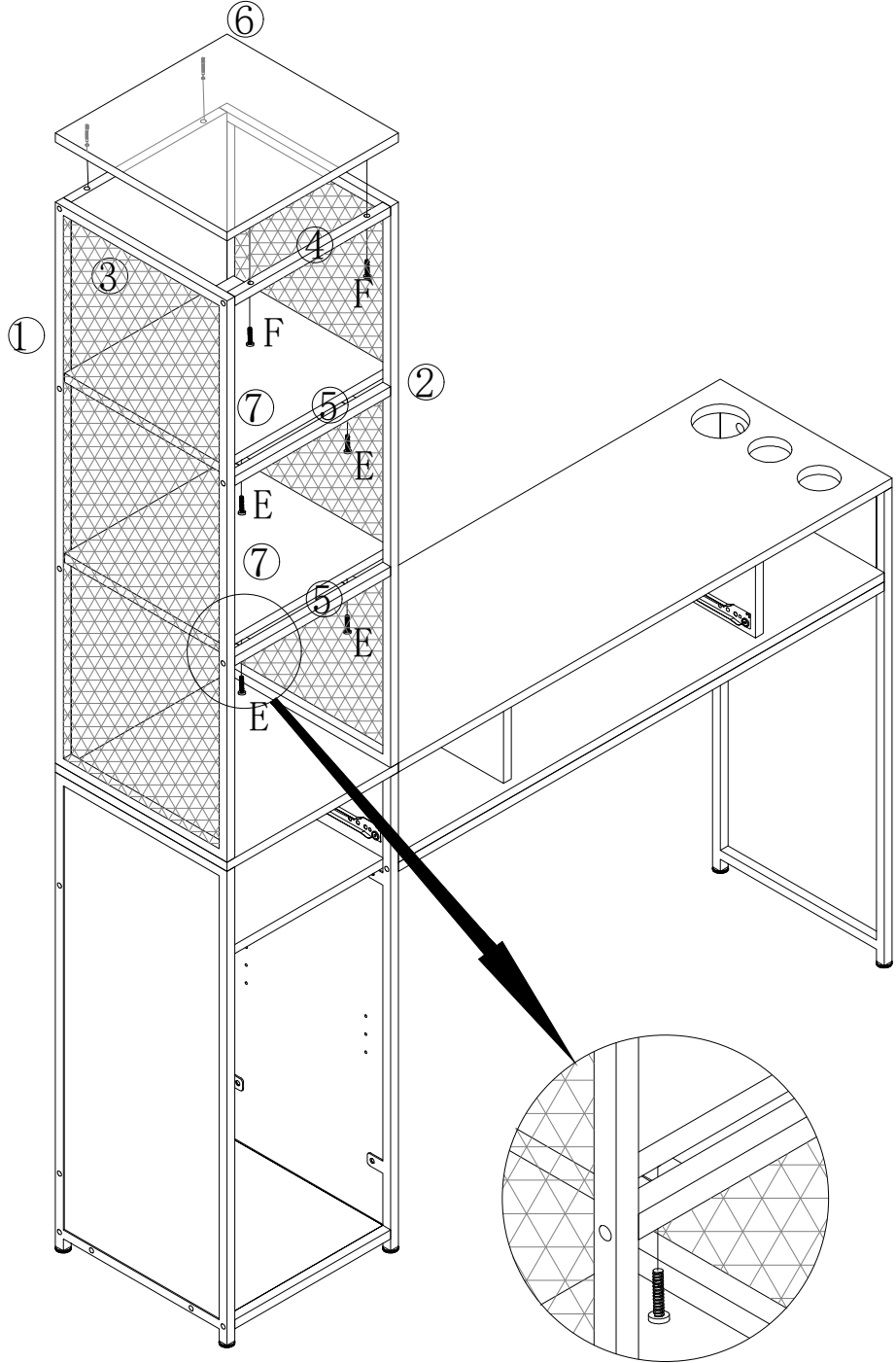
Step 13

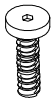


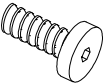
D  X6

H  X4

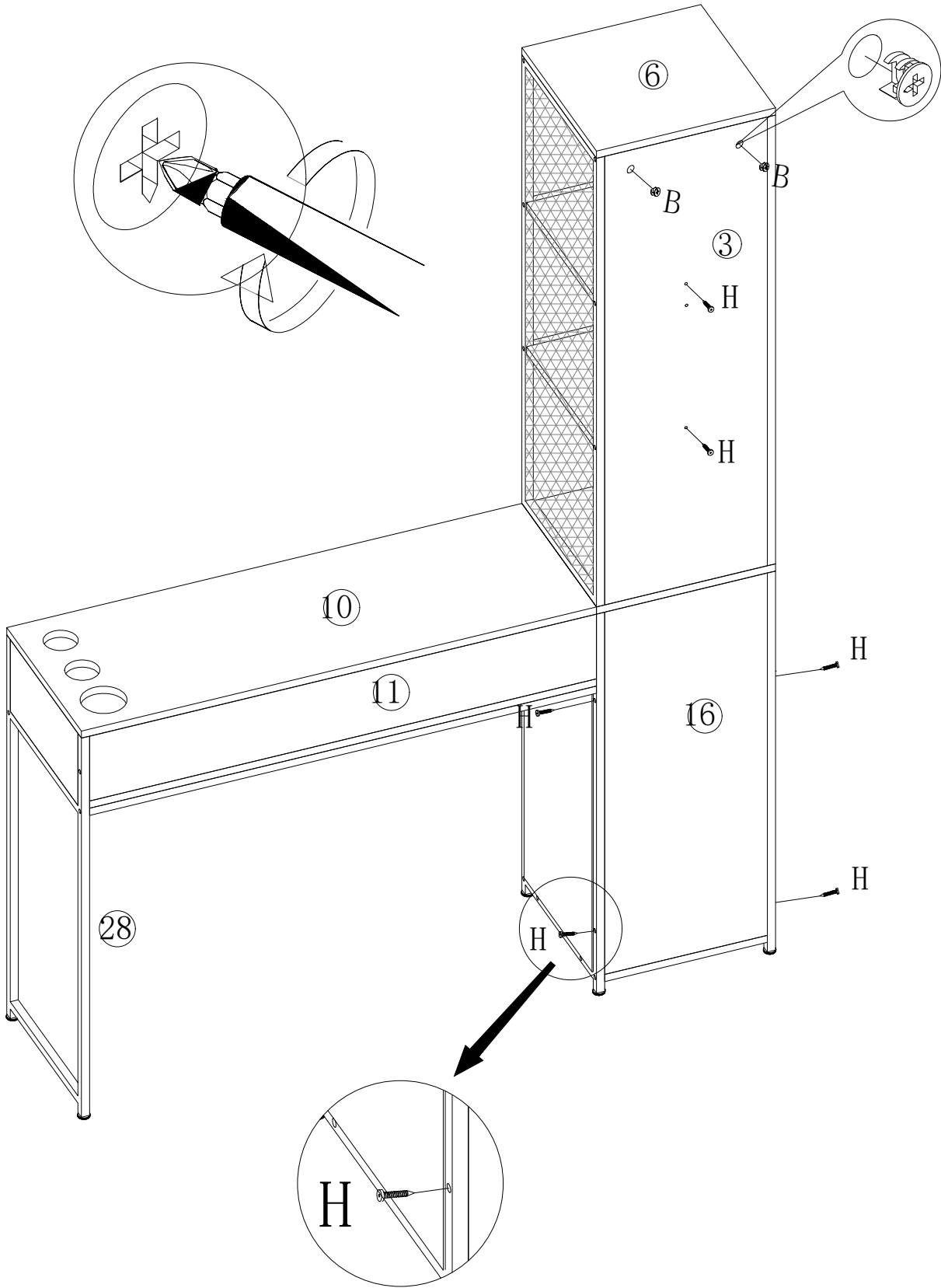
Step 14



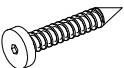
F  X2

E  X4

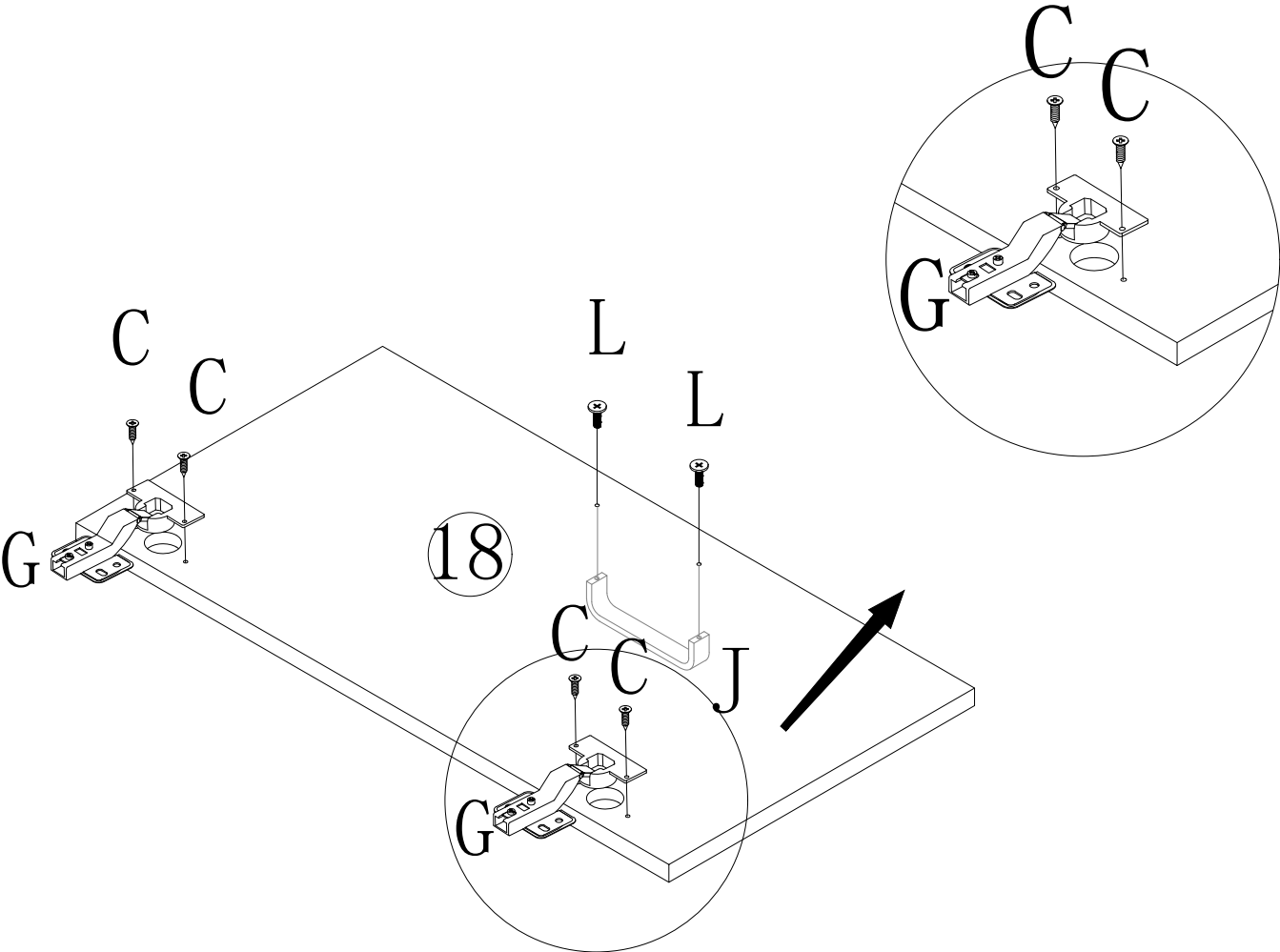
Step 15

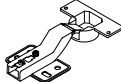
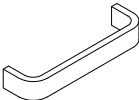




B  X2

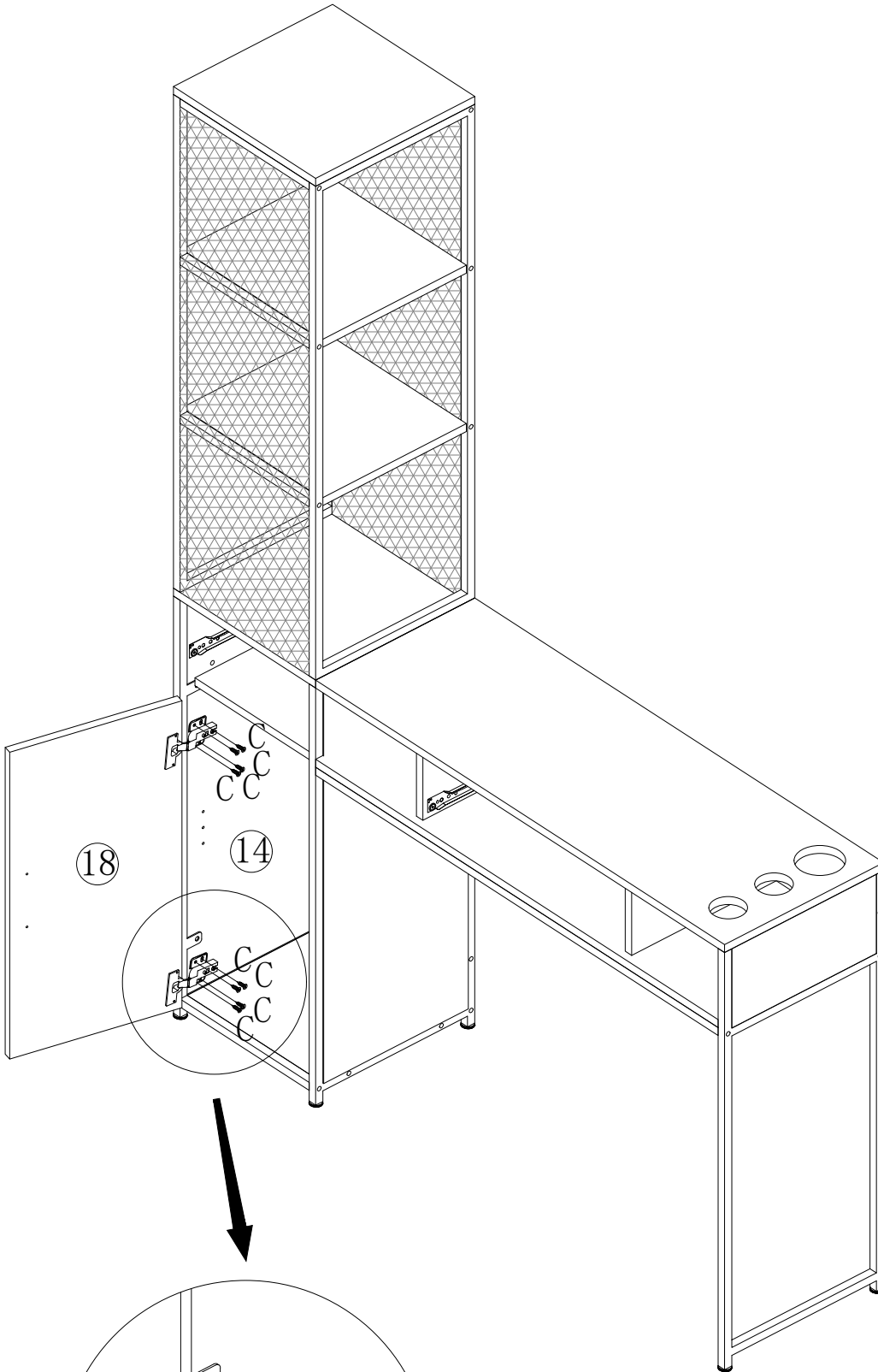
H  X6

Step 16



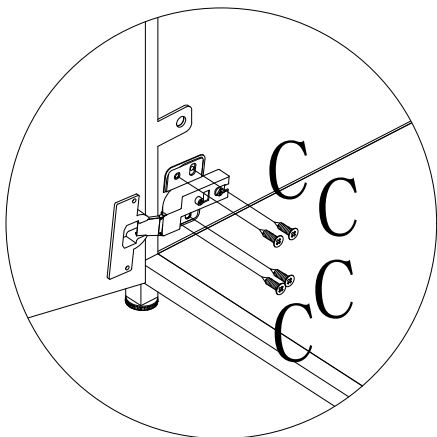
- G  X2
- J  X1
- C  X4
- L  X2

Step 17



18

14

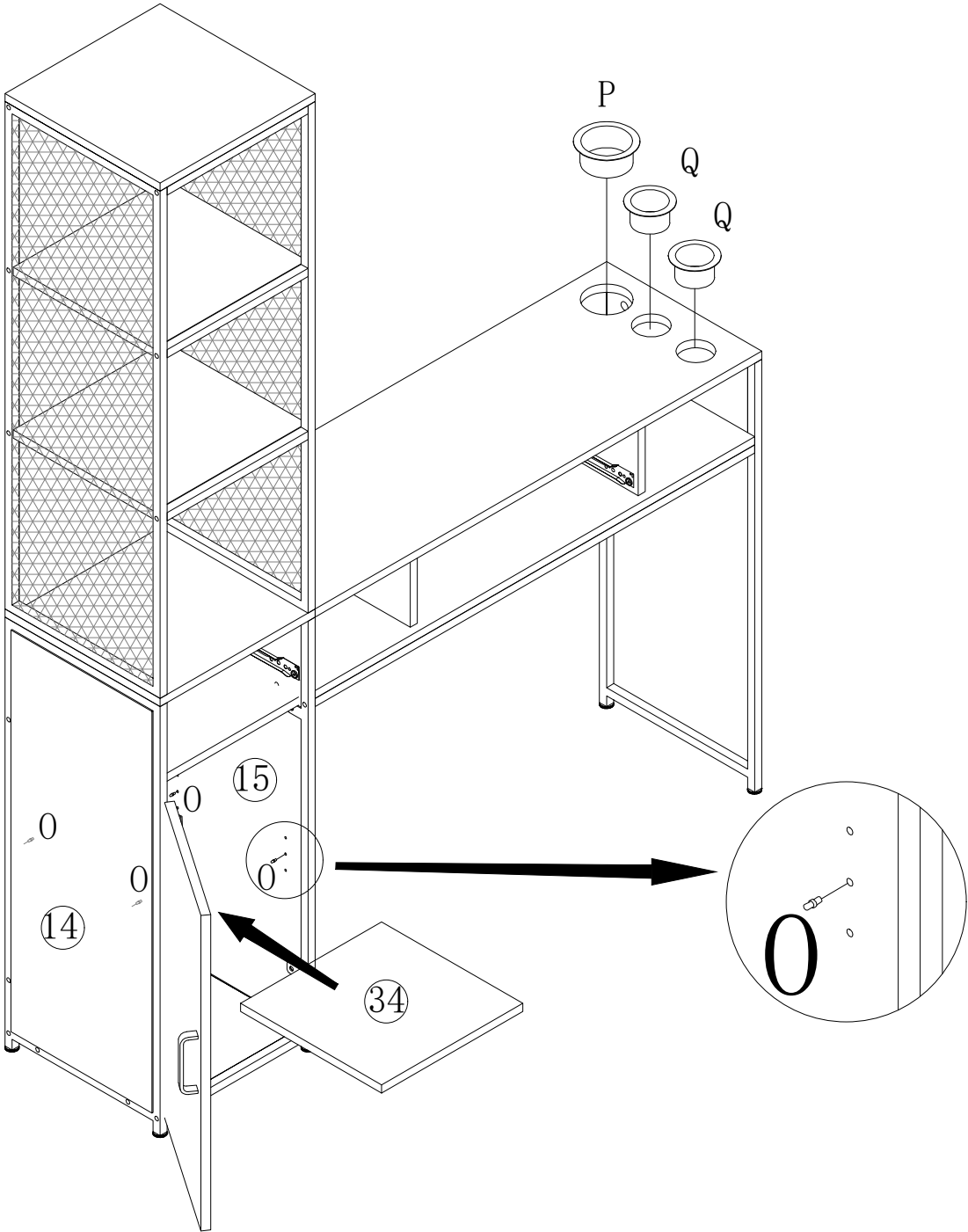


C




X8

Step 18

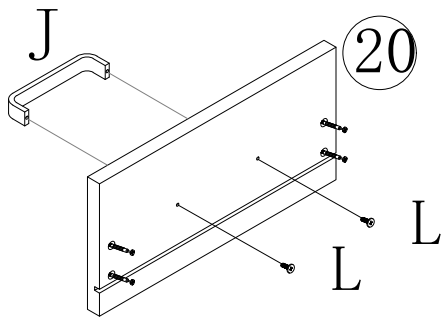
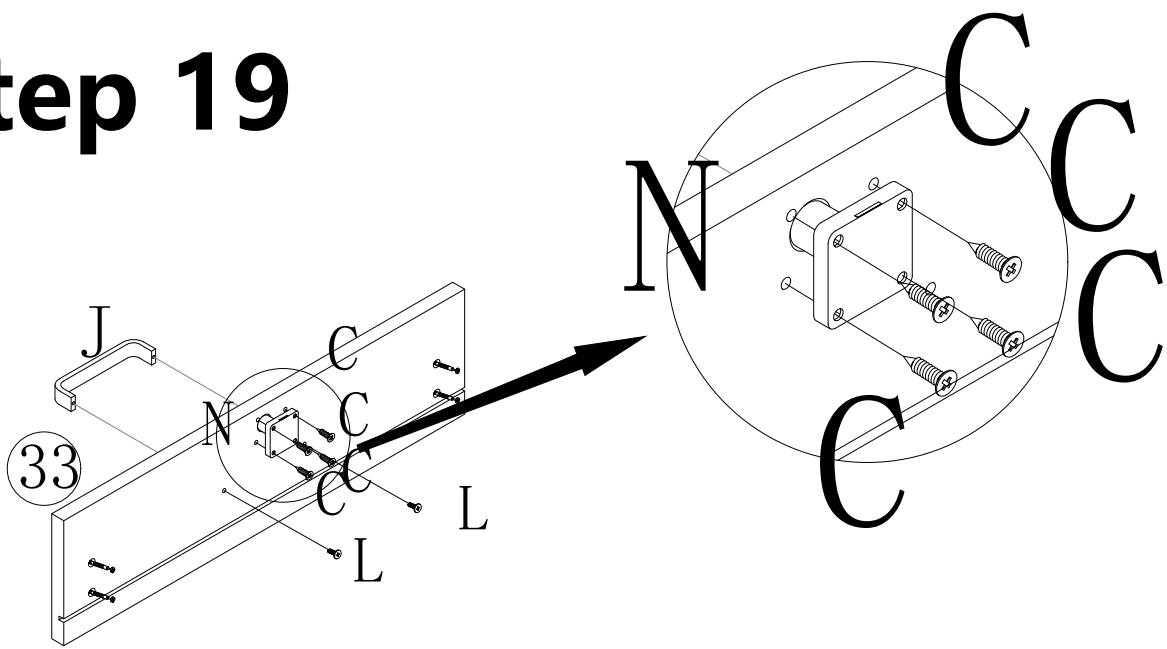


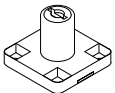
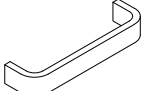


P  X1

Q  X2

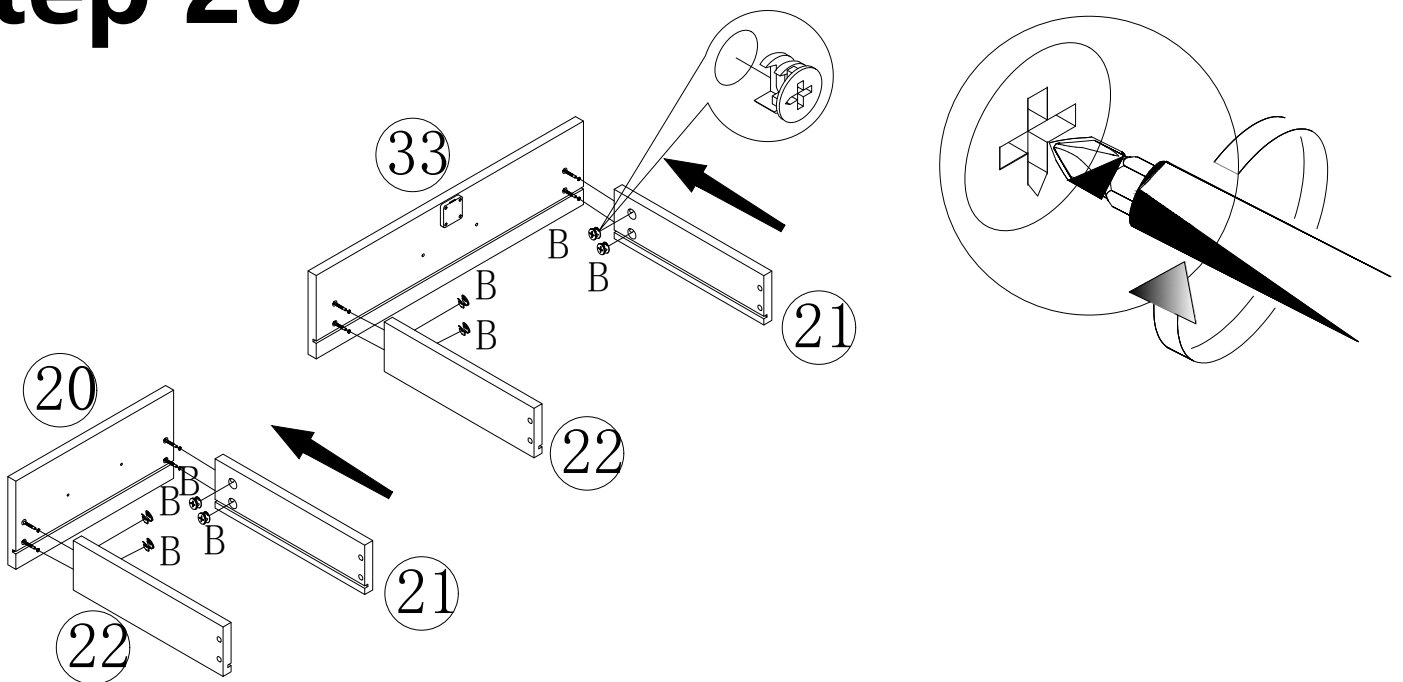
O  X4

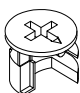
Step 19



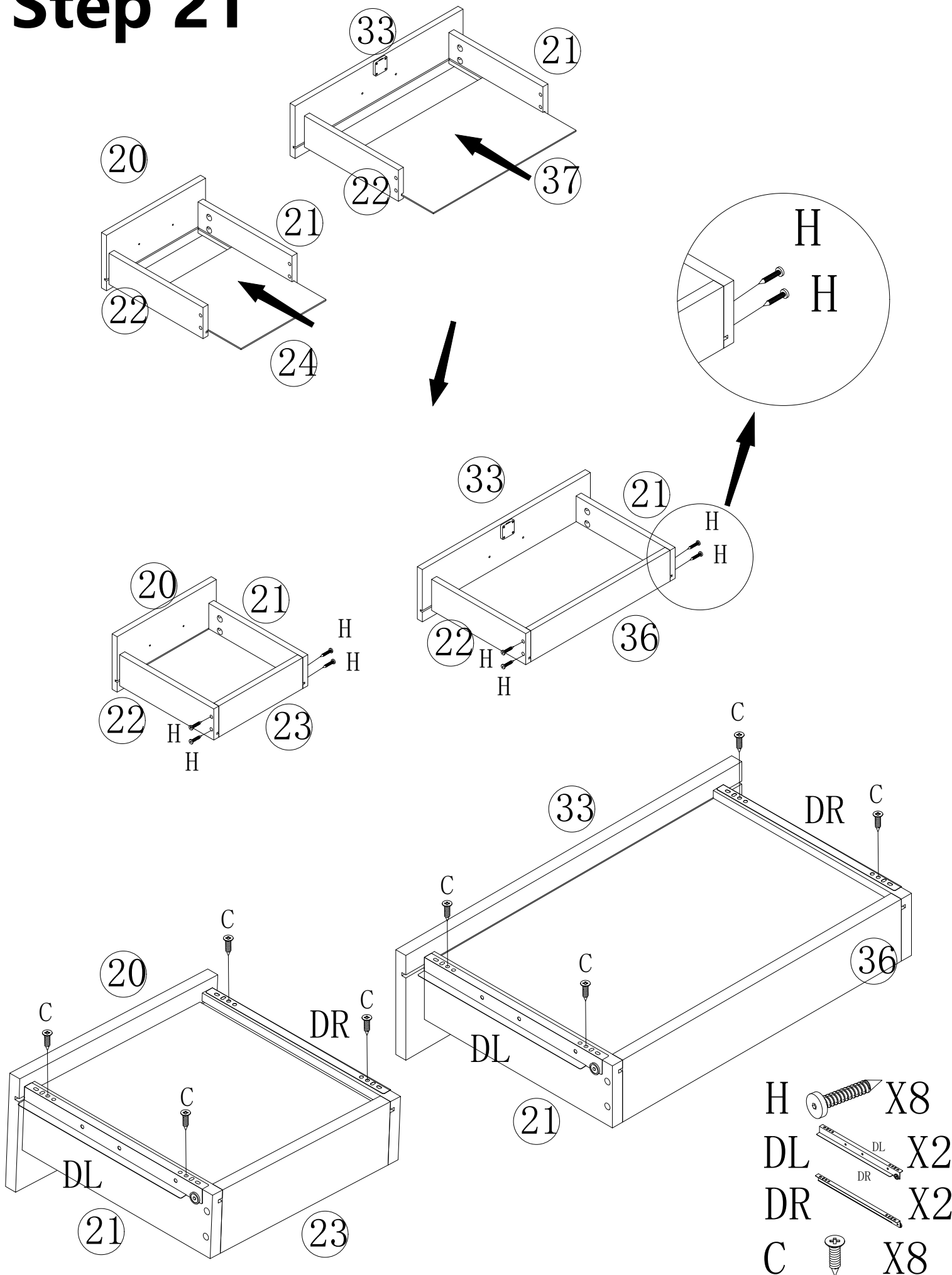
- N  X1
- J  X2
- C  X4
- L  X4

Step 20

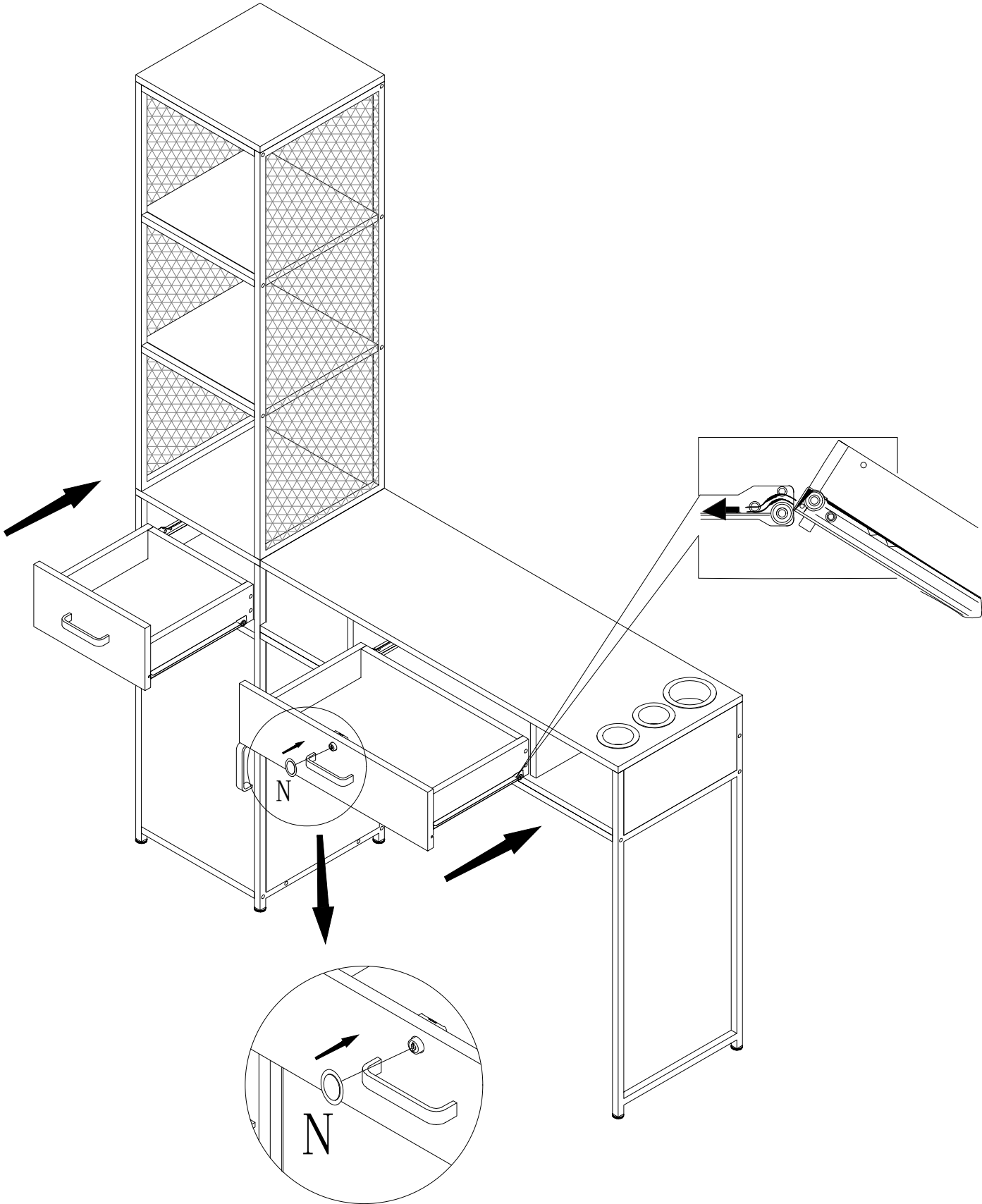


- B  X8

Step 21

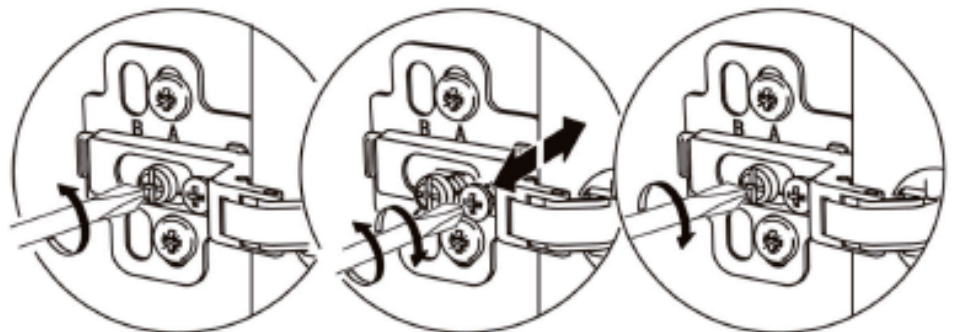
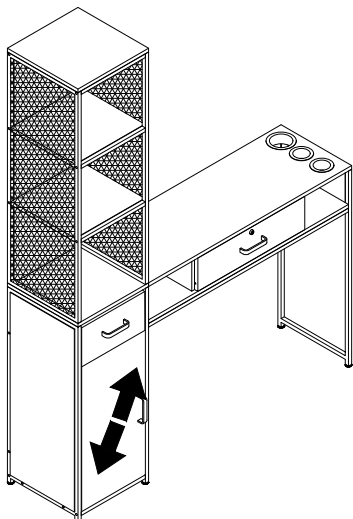
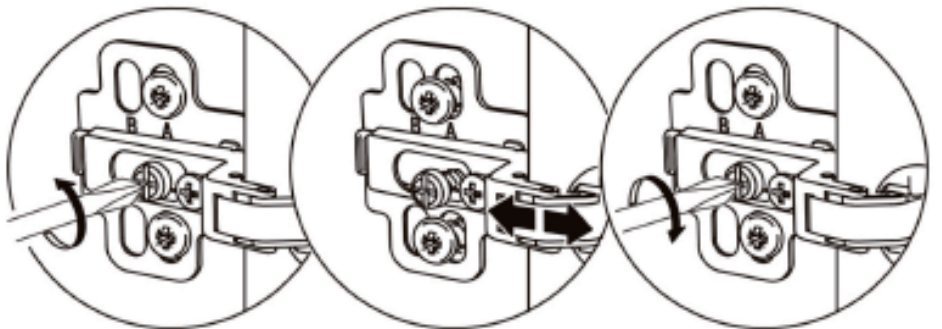
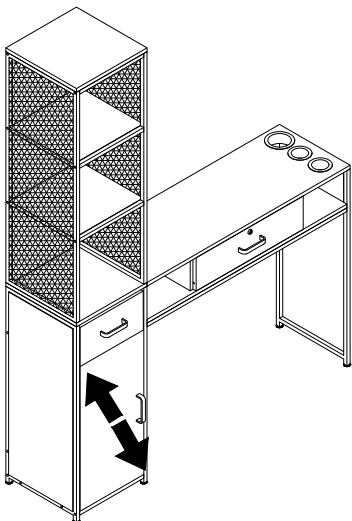
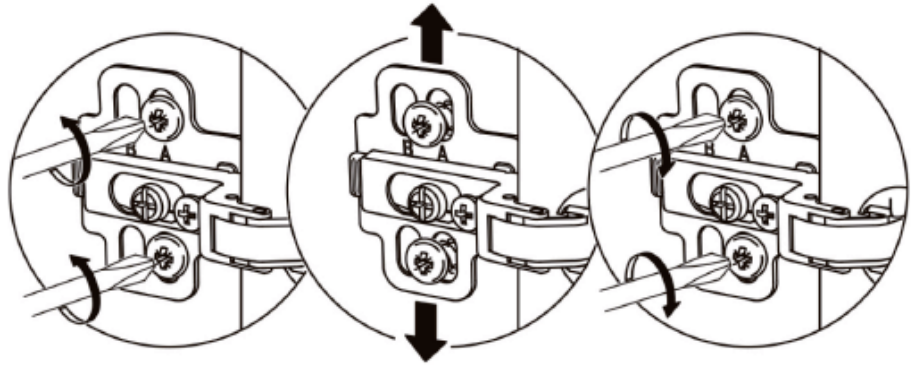
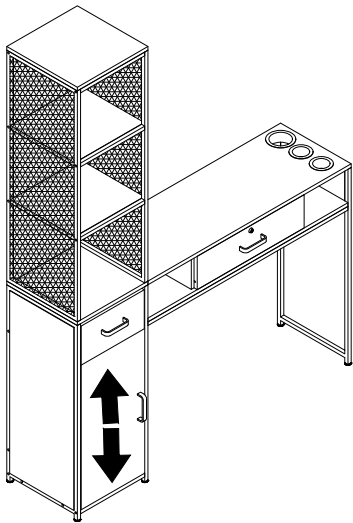


Step 22



N ○ X1

Step 23



Step 24

