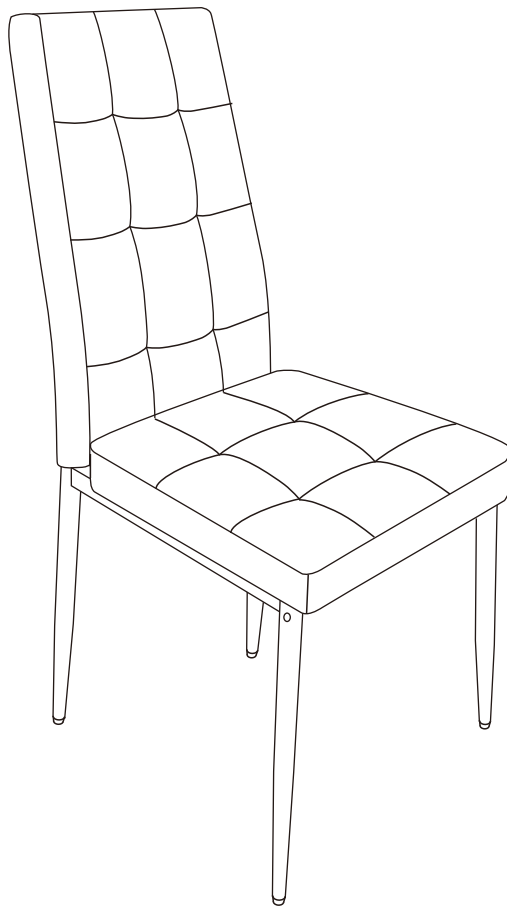


ASSEMBLY INSTRUCTIONS

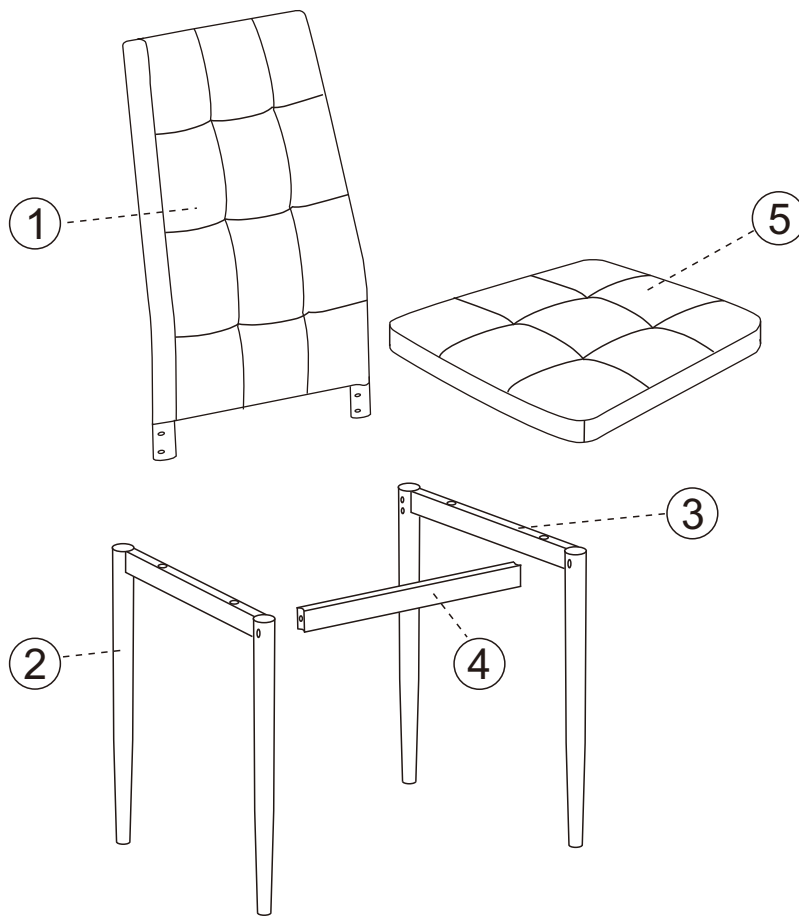
DINING CHAIR



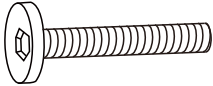
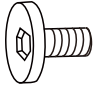

N752P179818G

IMPORTANT NOTE:



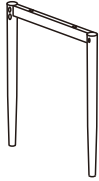


1. Place all parts on a clean and smooth surface such as a rug or carpet to avoid the parts from being scratched.
2. Before you begin, kindly follow the assembly instructions step by step.
3. Do not tighten all screws and bolts until the table is fully set-up.
4. Please do not return to store, contact the seller if you have any troubles with this product.



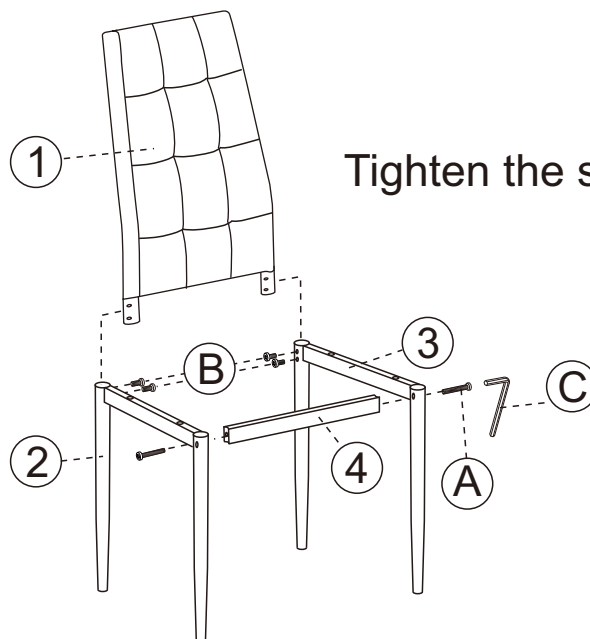
Hardware List For One Chair




<p>(A)</p>  <p>M6*45mm</p>	<p>(B)</p>  <p>M6*13mm</p>
<p>BOLT(6PCS)</p>	<p>BOLT(4PCS)</p>
<p>(C)</p>  <p>4mm</p>	
<p>ALLEN KEY (1 PC)</p>	

Part List For One Chair

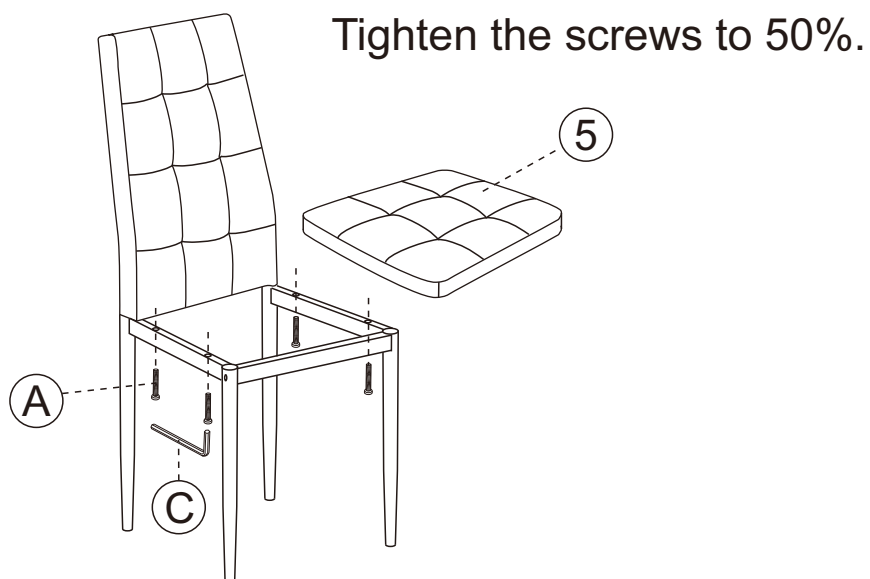
<p>①</p> 	<p>②</p> 
<p>CHAIR BACK X 1</p>	<p>LEG X 1</p>
<p>③</p> 	<p>④</p> 
<p>LEG X 1</p>	<p>CONNECTION X 1</p>
<p>⑤</p> 	
<p>CHAIR SEAT X 1</p>	

STEP 1



<p>A</p>		<p>2 PCS</p>	<p>B</p>		<p>4 PCS</p>
<p>C</p>		<p>1 PC</p>			

STEP 2



A



4 PCS

C



1 PC

STEP 3

